



US00D782611S

(12) **United States Design Patent** (10) **Patent No.:** **US D782,611 S**  
**Plihal** (45) **Date of Patent:** **\*\* Mar. 28, 2017**

(54) **FILTER**  
(71) Applicant: **BRITA GMBH**, Taunusstein (DE)  
(72) Inventor: **Ulf Plihal**, Köln (DE)  
(73) Assignee: **BRITA GMBH**, Taunusstein (DE)  
(\*\*) Term: **15 Years**  
(21) Appl. No.: **29/551,691**  
(22) Filed: **Jan. 15, 2016**

D655,373 S \* 3/2012 Sheppard ..... D23/209  
D655,374 S \* 3/2012 Sheppard ..... D23/209  
D655,375 S \* 3/2012 Sheppard ..... D23/209  
D677,752 S \* 3/2013 Sheppard ..... D23/209  
D677,753 S \* 3/2013 Sheppard ..... D23/209  
D734,085 S \* 7/2015 Toh ..... D23/202  
9,382,131 B1 \* 7/2016 Shotey ..... C02F 1/003  
D770,010 S \* 10/2016 Poindexter ..... D23/209  
D773,013 S \* 11/2016 Poindexter ..... D23/209  
D774,622 S \* 12/2016 Poindexter ..... D23/209  
D775,711 S \* 1/2017 Poindexter ..... D23/209  
2011/0290741 A1 \* 12/2011 Cueman ..... C02F 1/003  
210/767  
2016/0200590 A1 \* 7/2016 Lee ..... B01D 29/56  
210/335

(30) **Foreign Application Priority Data**  
Jul. 17, 2015 (DE) ..... 40 2015 100 660  
(51) **LOC (10) Cl.** ..... **23-01**  
(52) **U.S. Cl.**  
USPC ..... **D23/209**  
(58) **Field of Classification Search**  
USPC ..... D23/200, 207, 209, 212, 215, 222, 223,  
D23/225; D7/400  
CPC ..... A47J 31/06; C02F 1/003  
See application file for complete search history.

\* cited by examiner

*Primary Examiner* — Robin V Webster

*Assistant Examiner* — Rachel Voorhies

(74) *Attorney, Agent, or Firm* — Hudak, Shunk & Farine  
Co. LPA

(56) **References Cited**  
U.S. PATENT DOCUMENTS  
D564,832 S \* 3/2008 Bodum ..... D7/399  
D569,176 S \* 5/2008 Bodum ..... D7/387  
D585,233 S \* 1/2009 Bodum ..... D7/317  
D616,694 S \* 6/2010 Kulikov ..... D23/209  
D618,032 S \* 6/2010 Kulikov ..... D23/209  
D640,769 S \* 6/2011 Sheppard ..... D23/209  
D640,770 S \* 6/2011 Sheppard ..... D23/209  
D650,467 S \* 12/2011 Sheppard ..... D23/209  
D653,726 S \* 2/2012 Sheppard ..... D23/209

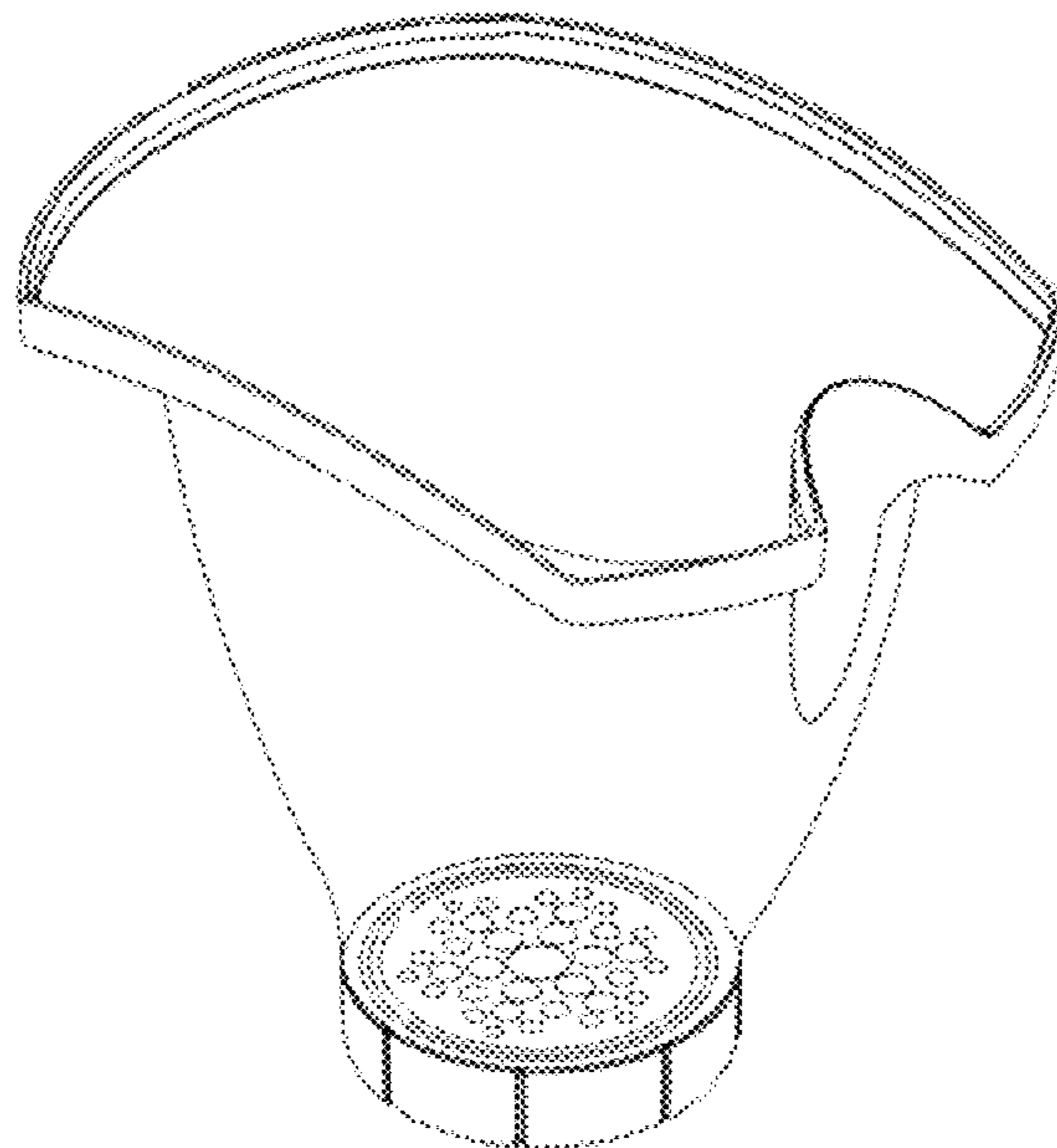
(57) **CLAIM**

The ornamental design for a “filter,” as shown and described.

**DESCRIPTION**

FIG. 1 is a front left perspective view of a first embodiment of a filter;  
FIG. 2 is a left side view thereof;  
FIG. 3 is a right side view thereof;  
FIG. 4 is a front view thereof;  
FIG. 5 is a rear view thereof;  
FIG. 6 is a bottom view thereof; and,  
FIG. 7 is a top view thereof.

**1 Claim, 4 Drawing Sheets**



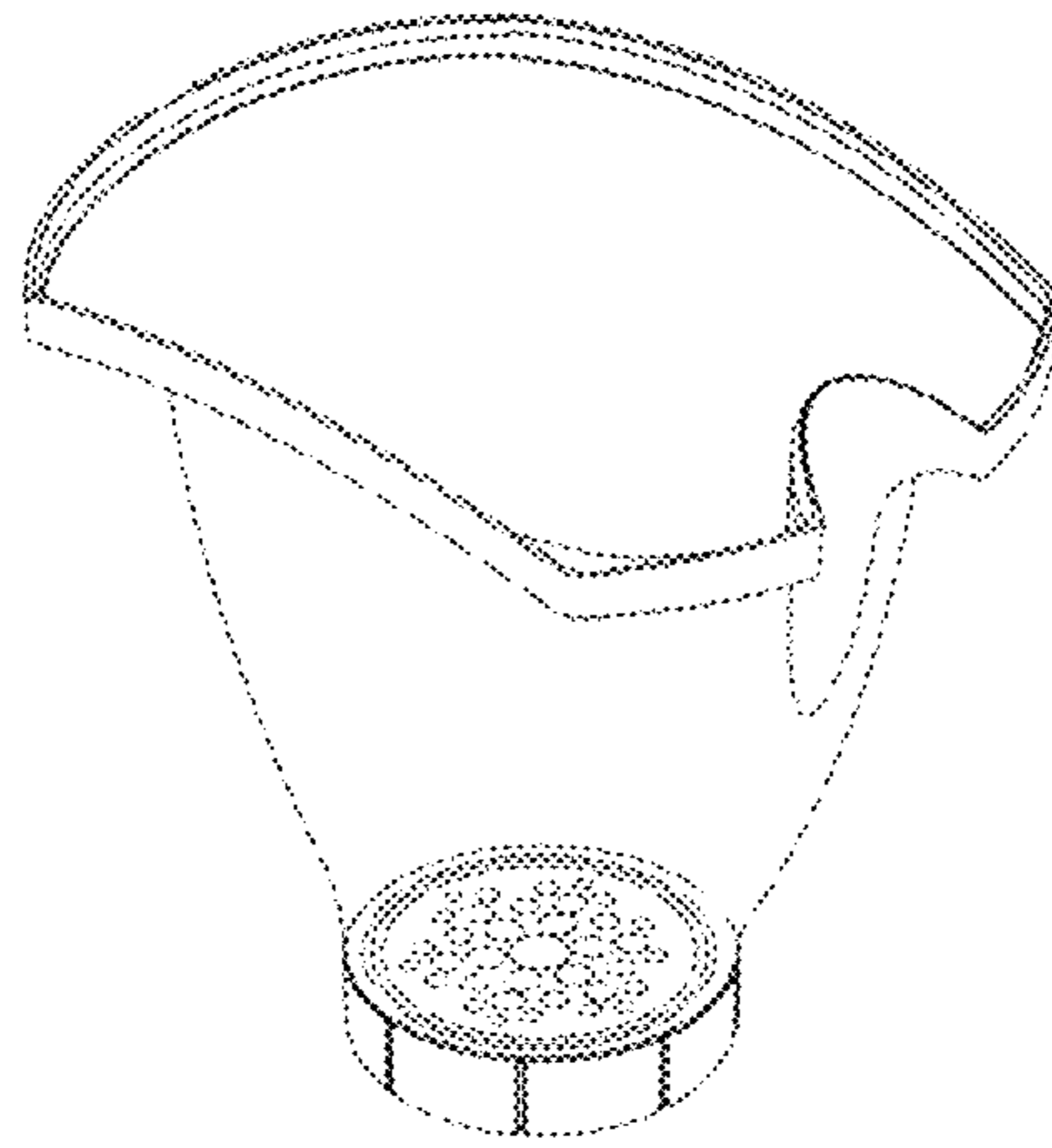


FIG. 1

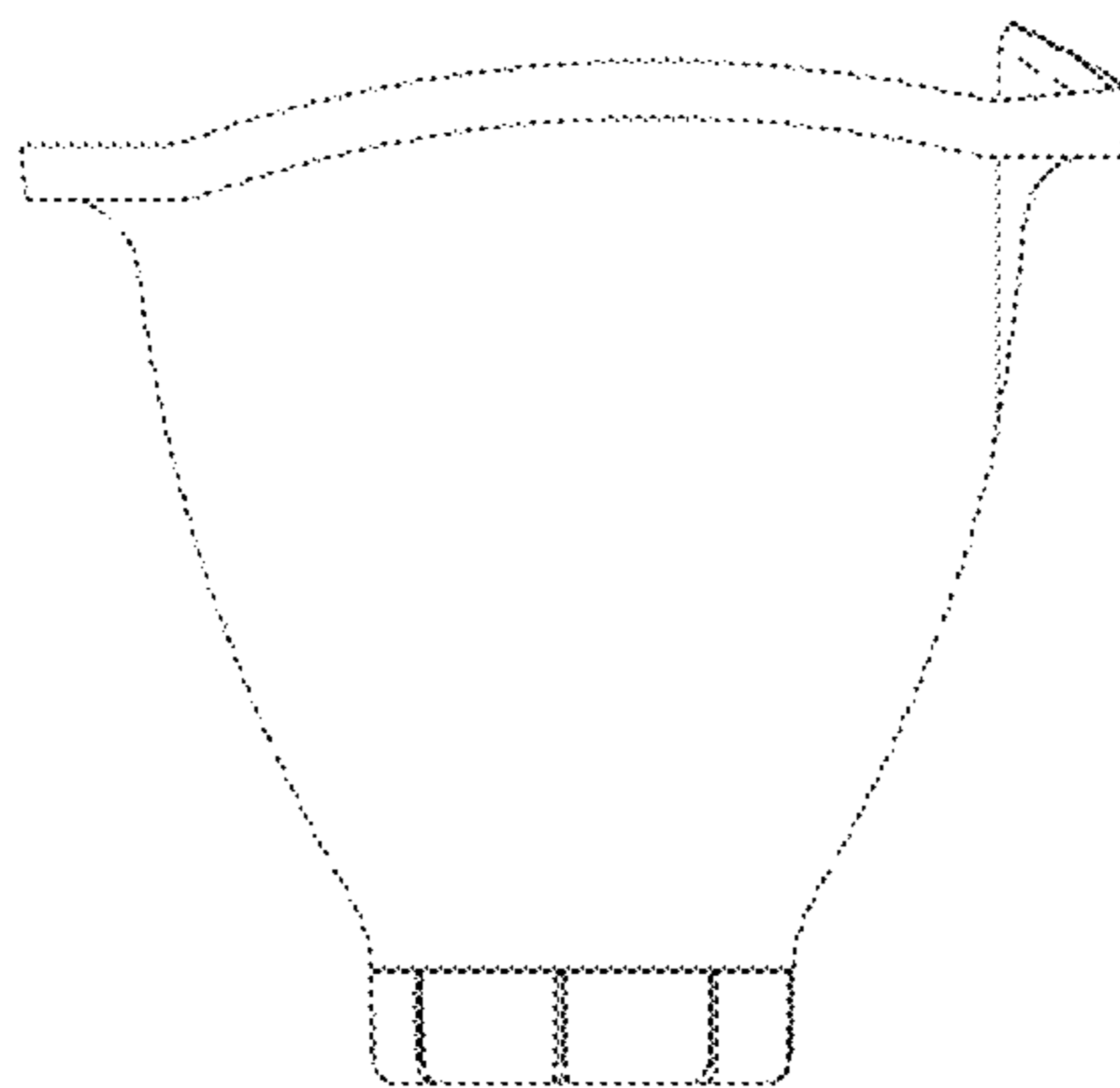


FIG. 2

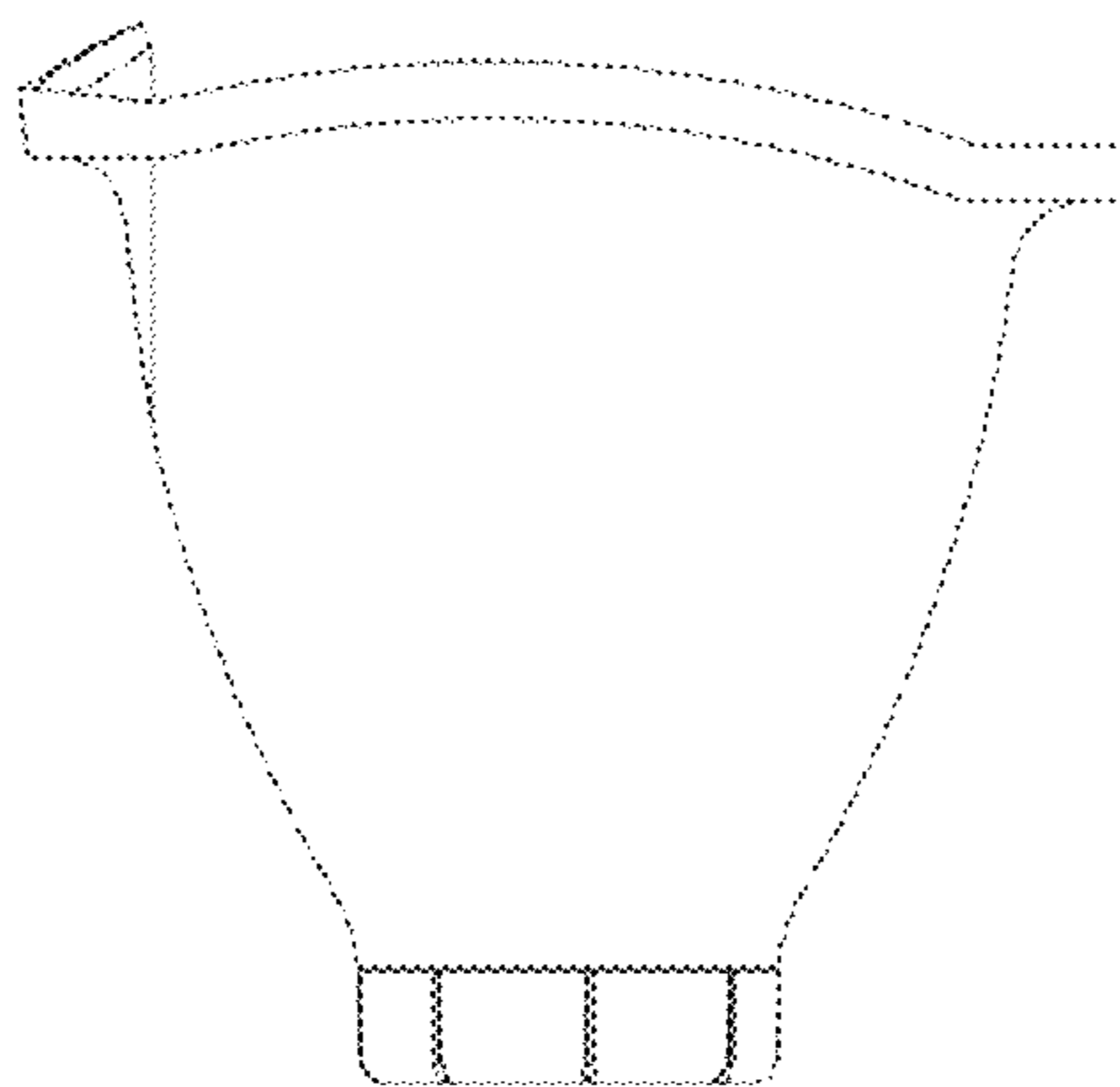


FIG. 3

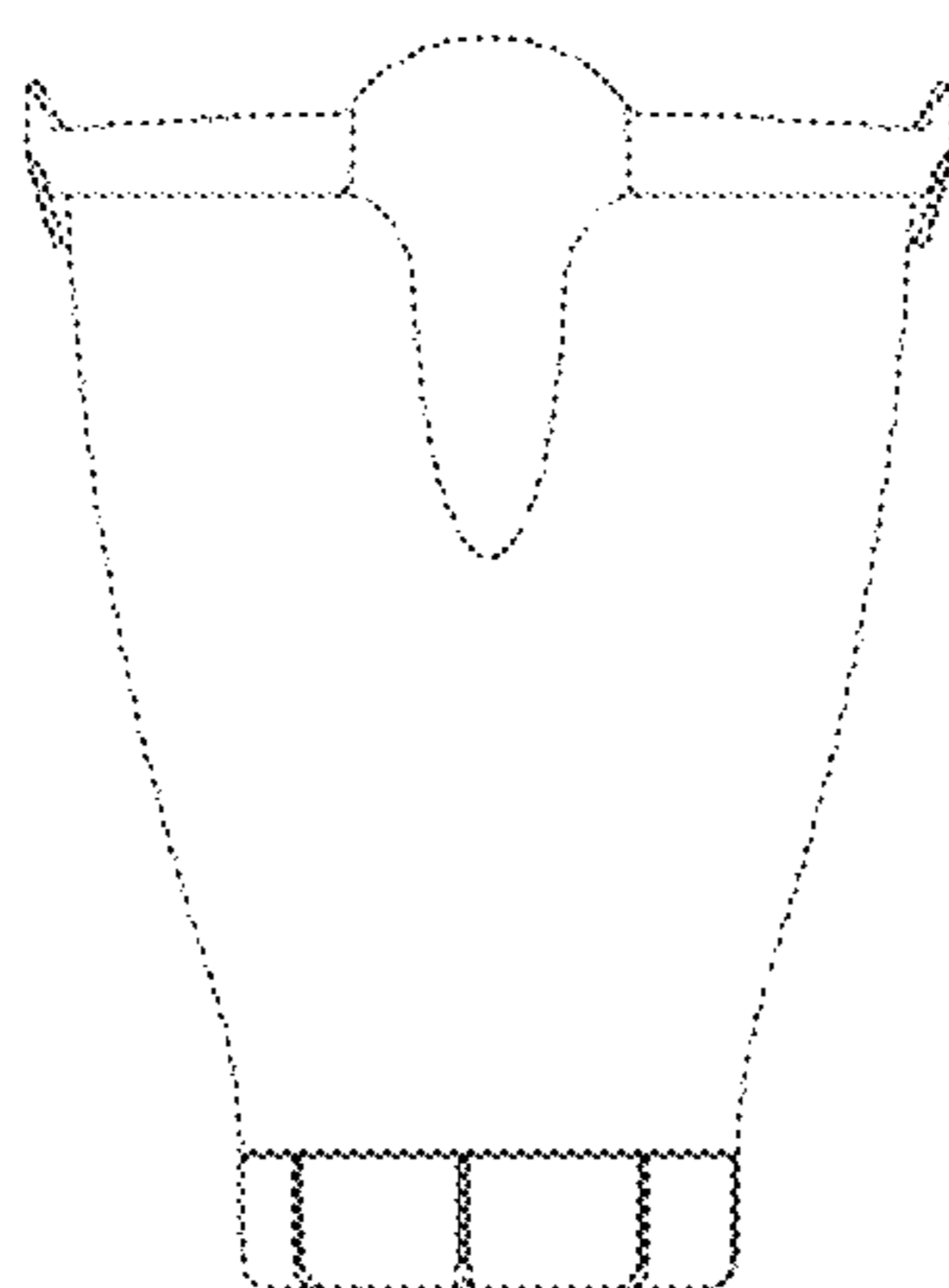


FIG. 4

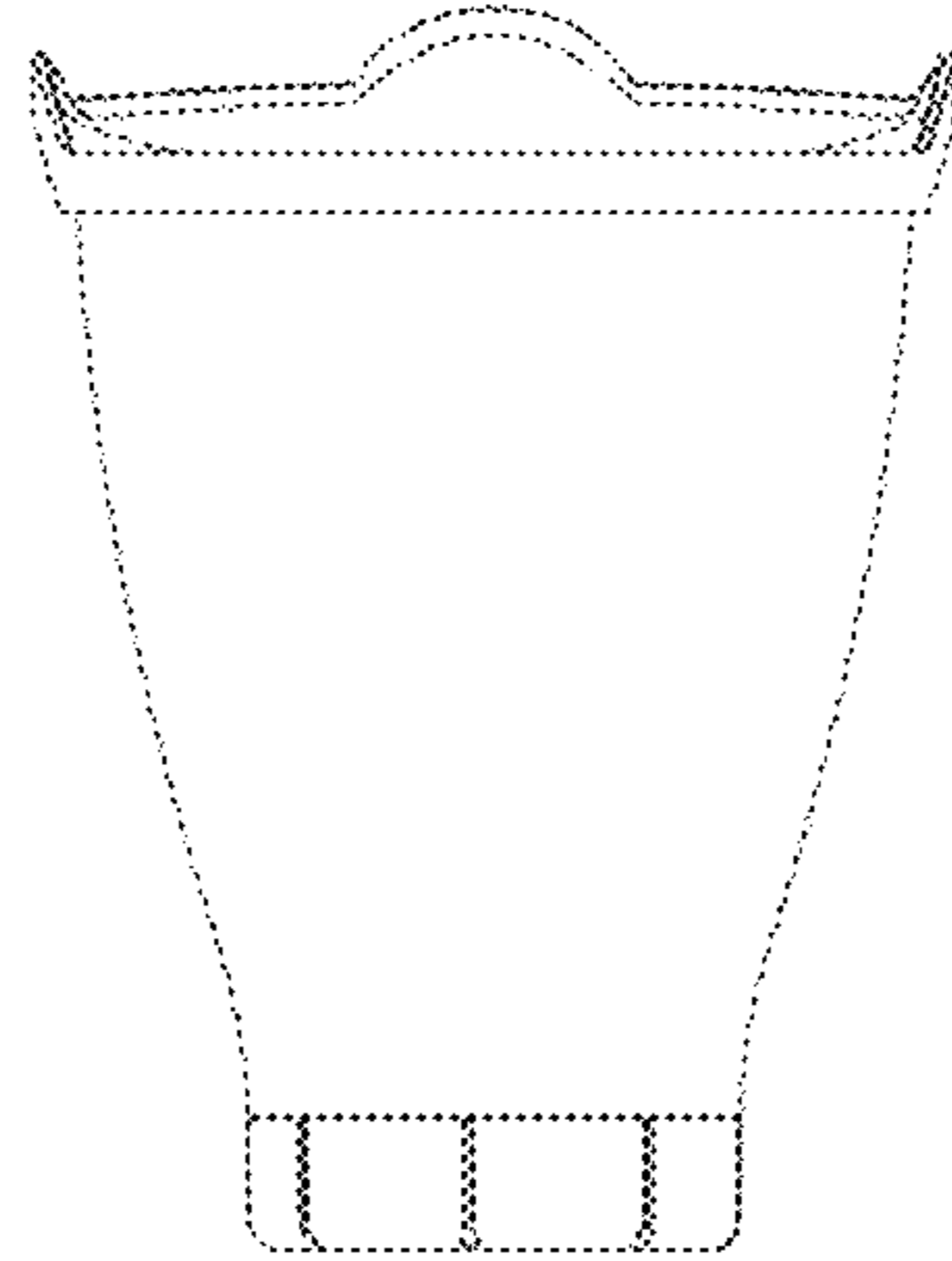


FIG. 5

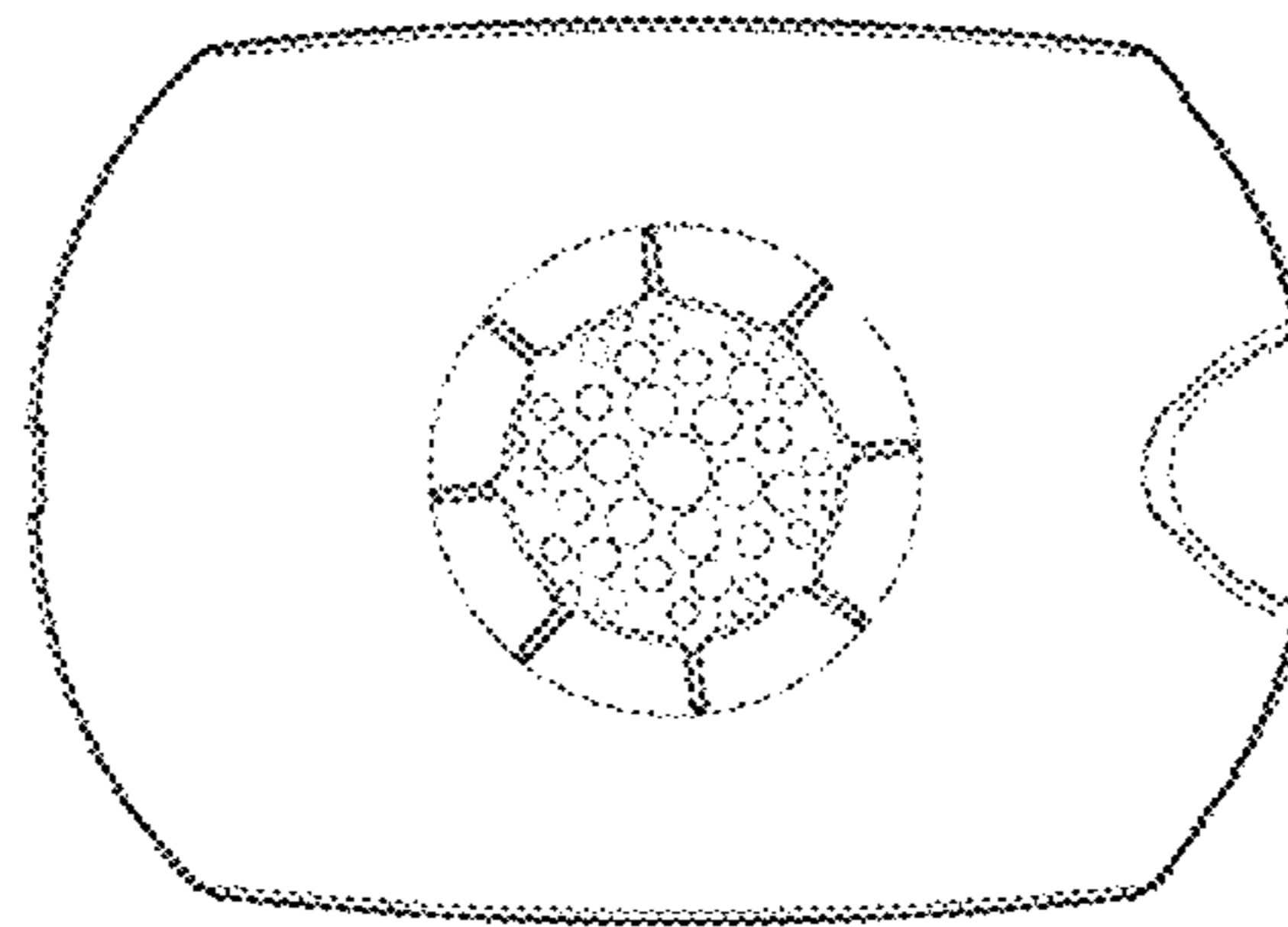


FIG. 6

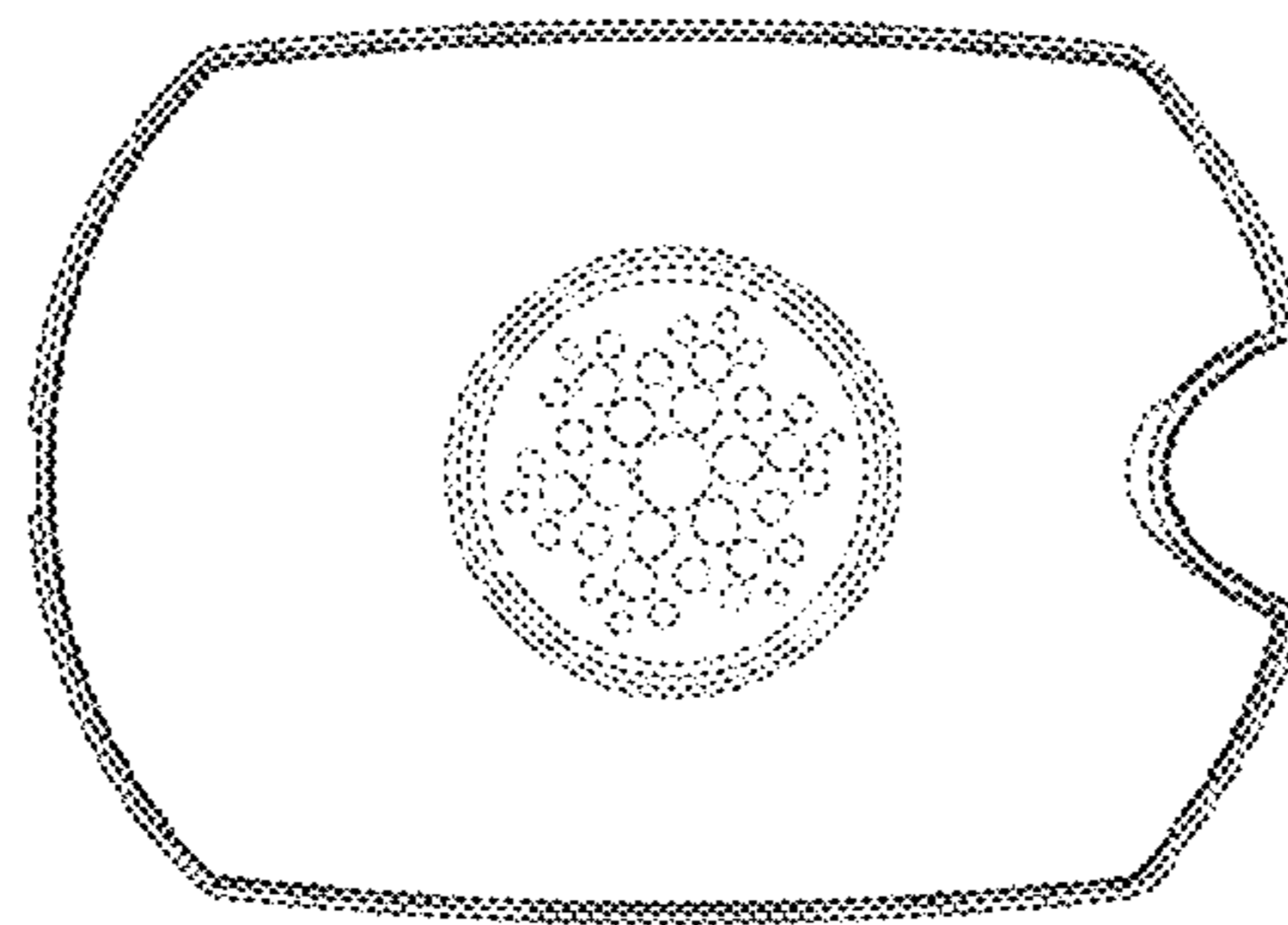


FIG. 7