



US00D782608S

(12) **United States Design Patent**
Mathwig et al.

(10) **Patent No.:** **US D782,608 S**
(45) **Date of Patent:** **** Mar. 28, 2017**

- (54) **ICE FISHING ROD HANDLE**
- (71) Applicants: **Philip J. Mathwig**, Holmen, WI (US);
Jon P. Mathwig, Onalaska, WI (US)
- (72) Inventors: **Philip J. Mathwig**, Holmen, WI (US);
Jon P. Mathwig, Onalaska, WI (US)
- (**) Term: **15 Years**
- (21) Appl. No.: **29/554,718**
- (22) Filed: **Feb. 15, 2016**
- (51) **LOC (10) Cl.** **22-05**
- (52) **U.S. Cl.**
USPC **D22/142**
- (58) **Field of Classification Search**
USPC D22/137-138; 43/18.1 CT, 18.1 R,
43/22-23, 142
CPC A01K 87/08; A01K 97/08
See application file for complete search history.

- D300,552 S * 4/1989 Worth 43/18.1 R
- 5,992,079 A * 11/1999 Michels A01K 87/08
43/18.1 R
- D499,165 S * 11/2004 Jenson D22/142
- 7,454,862 B2 * 11/2008 Markley A01K 87/08
43/18.1 CT

* cited by examiner

Primary Examiner — Catheri Oliver-Garcia
(74) *Attorney, Agent, or Firm* — Skinner & Associates;
Joel Skinner

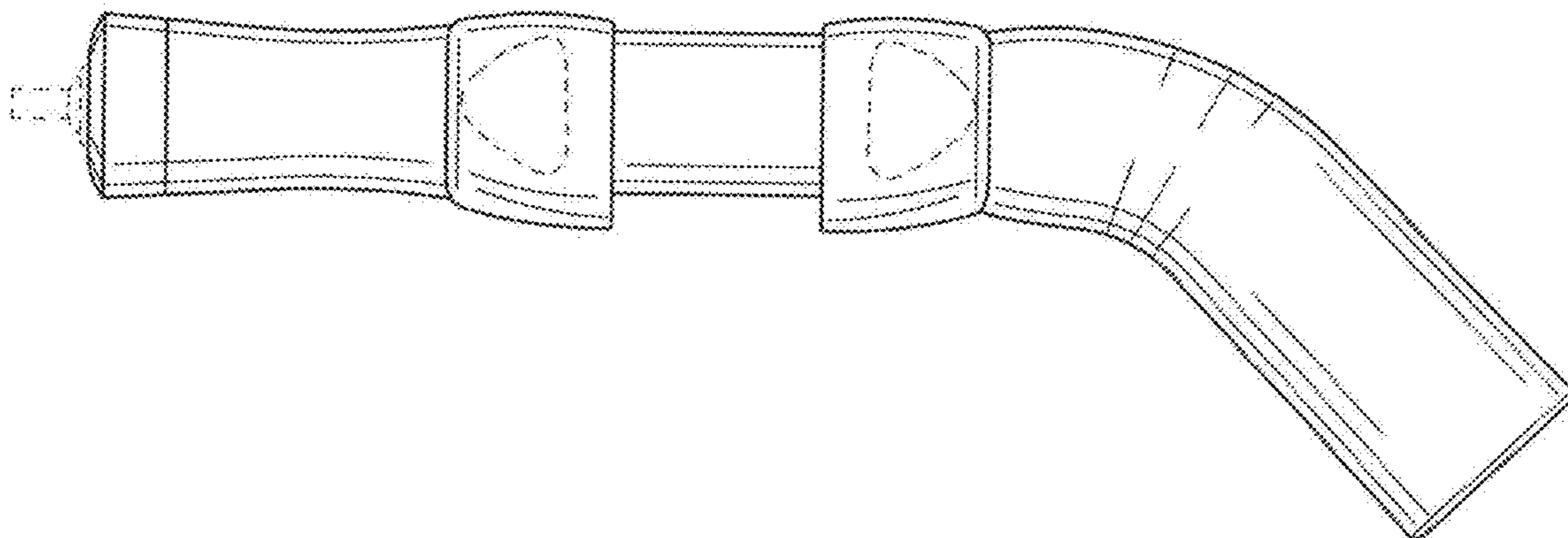
(57) **CLAIM**

The ornamental design for an ice fishing rod handle, as shown and described.

DESCRIPTION

FIG. 1 is a side perspective view of an ice fishing rod handle showing the new design;
FIG. 2 is a top view thereof.
FIG. 3 is a front view, relative to FIG. 4.
FIG. 4 is a side view thereof, the opposite side being a mirror image.
FIG. 5 is a rear view, relative to FIG. 4; and,
FIG. 6 is a bottom view thereof.
The broken lines depict environment and are for illustrative purposes only and form no part of the claimed design.

1 Claim, 2 Drawing Sheets



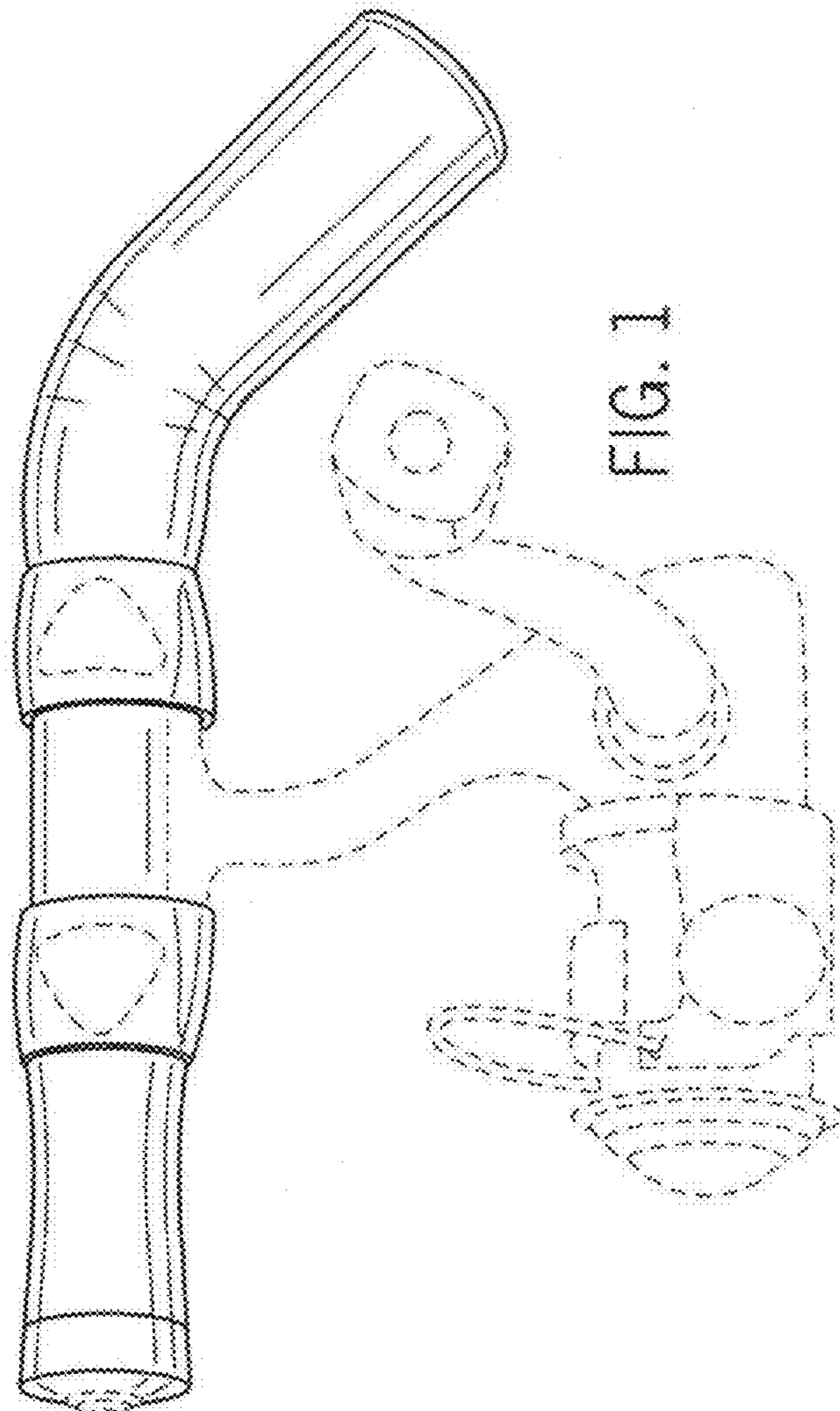


FIG. 1

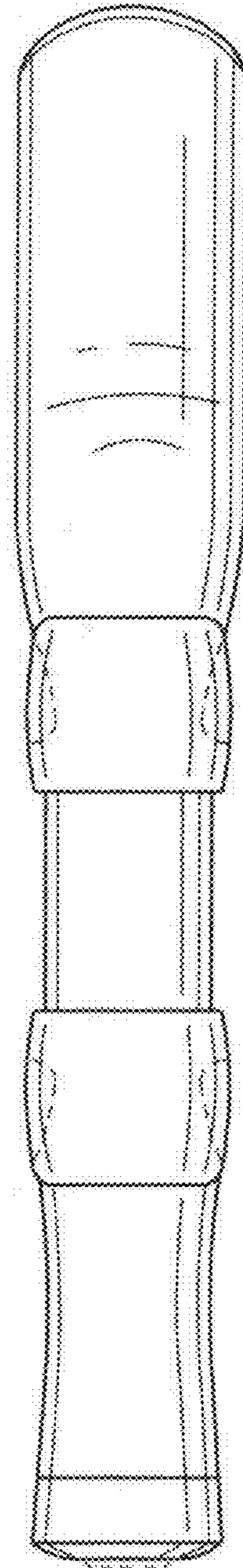


FIG. 2

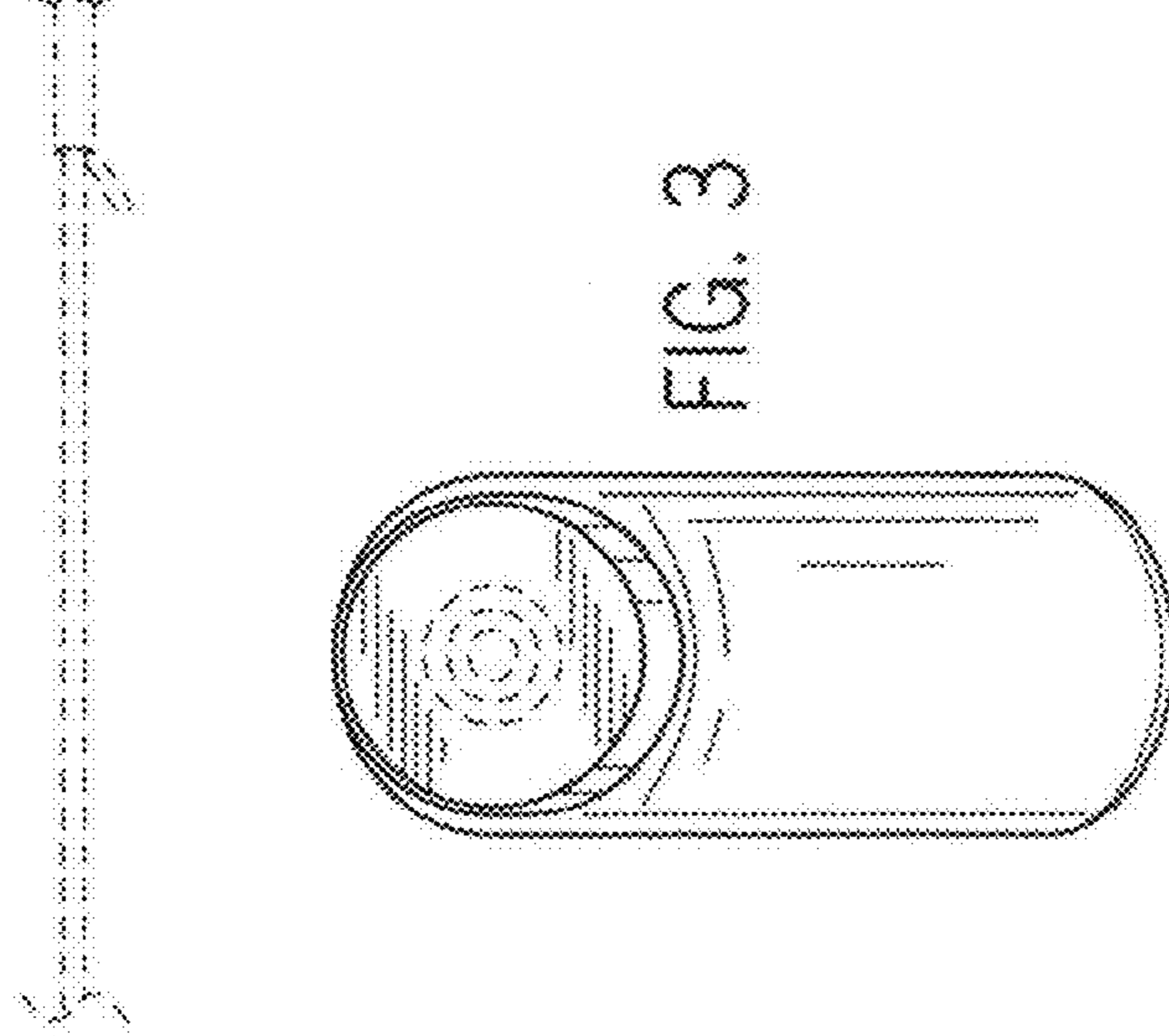


FIG. 3

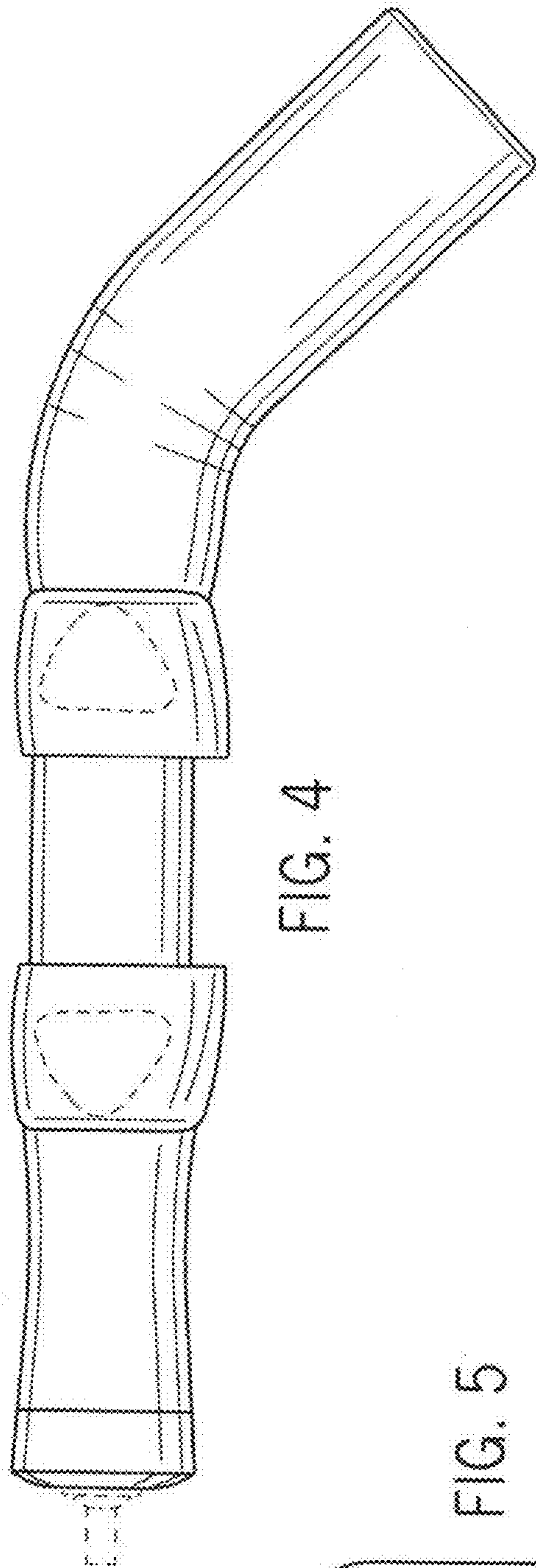


FIG. 4

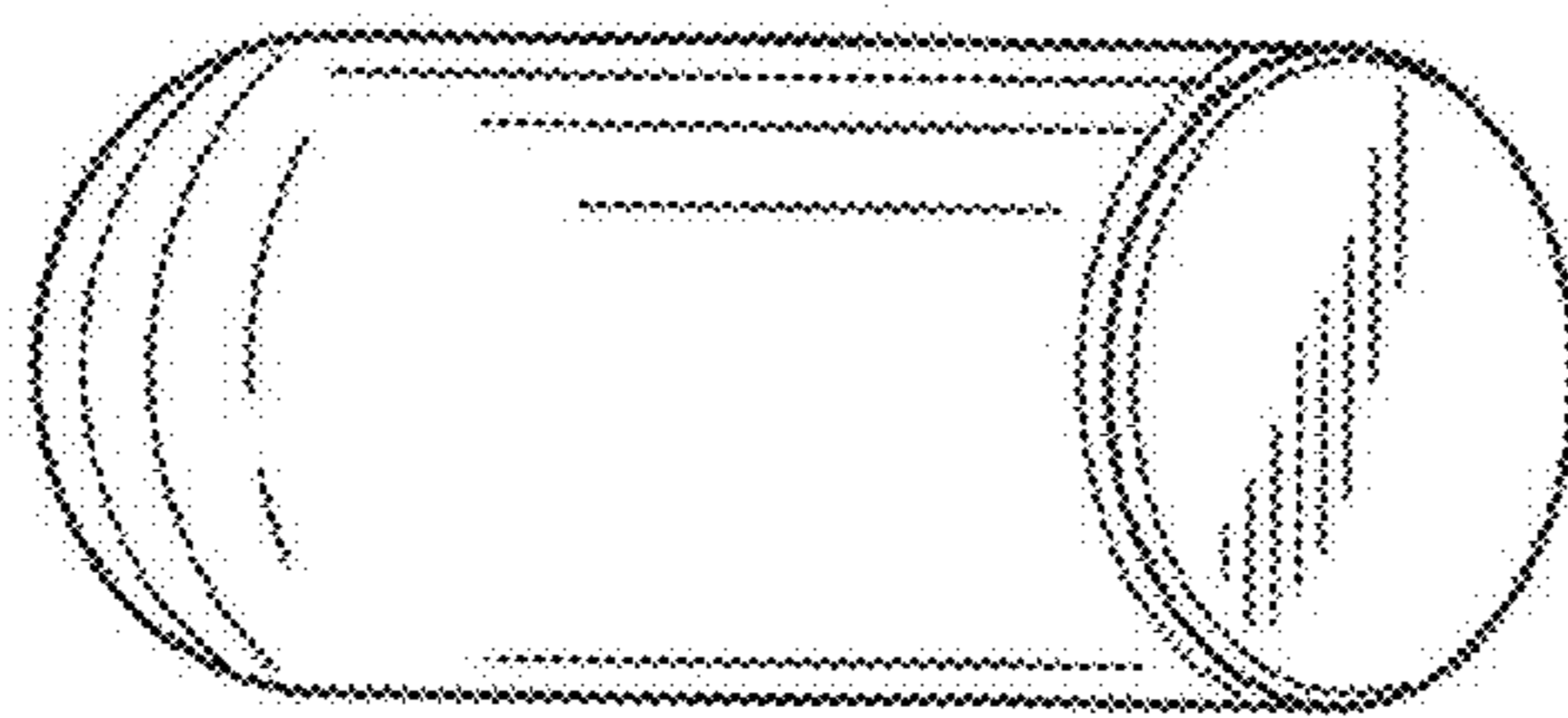


FIG. 5

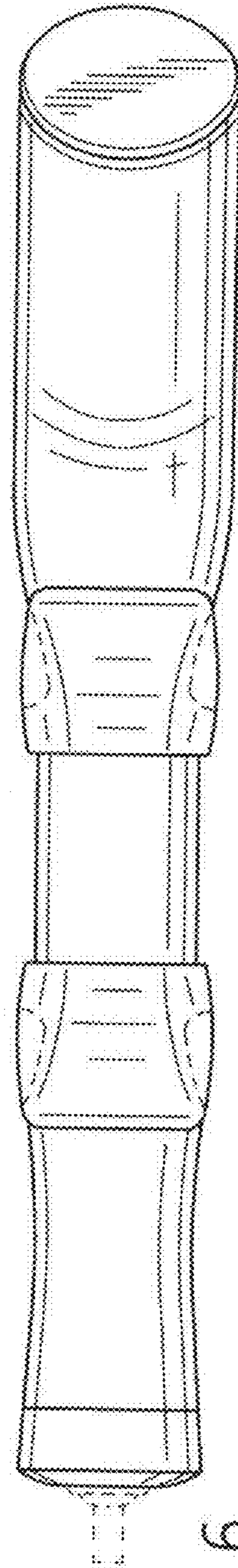


FIG. 6