



US00D782607S

(12) **United States Design Patent**  
**Deguchi et al.**

(10) **Patent No.:** **US D782,607 S**  
(45) **Date of Patent:** **\*\* Mar. 28, 2017**

(54) **FISHING REEL PORTION**

(71) Applicant: **Shimano Inc.**, Sakai, Osaka (JP)

(72) Inventors: **Tomoya Deguchi**, Osaka (JP);  
**Masakazu Iwabuchi**, Osaka (JP)

(73) Assignee: **Shimano Inc.**, Osaka (JP)

(\*\*) Term: **15 Years**

(21) Appl. No.: **29/554,858**

(22) Filed: **Feb. 16, 2016**

(30) **Foreign Application Priority Data**

Sep. 24, 2015 (JP) ..... 2015-020951

(51) **LOC (10) Cl.** ..... **22-05**

(52) **U.S. Cl.**  
USPC ..... **D22/141**

(58) **Field of Classification Search**  
USPC ..... D22/137-141; 242/310-316, 223-224,  
242/230, 283, 322, 241-243, 227;  
43/19-22

(56) **References Cited**

**U.S. PATENT DOCUMENTS**

D725,229 S 3/2015 Deguchi et al.  
D767,086 S \* 9/2016 Nago ..... D22/141  
D776,232 S \* 1/2017 Shimizu ..... D22/141

**FOREIGN PATENT DOCUMENTS**

JP 1460514 S 1/2013

\* cited by examiner

*Primary Examiner* — Catheri Oliver-Garcia

(74) *Attorney, Agent, or Firm* — Global IP Counselors,  
LLP

(57) **CLAIM**

The ornamental design for fishing reel portion, as shown and described.

**DESCRIPTION**

FIG. 1 is a first perspective view of a fishing reel portion in accordance with our new design;

FIG. 2 is a second perspective view of the fishing reel portion illustrated in FIG. 1;

FIG. 3 is a first side elevational view of the fishing reel portion illustrated in FIG. 1;

FIG. 4 is a second side elevational view of the fishing reel portion illustrated in FIG. 1;

FIG. 5 is a top plan view of the fishing reel portion illustrated in FIG. 1;

FIG. 6 is a bottom plan view of the fishing reel portion illustrated in FIG. 1;

FIG. 7 is a first end elevational view of the fishing reel portion illustrated in FIG. 1;

FIG. 8 is a second end elevational view of the fishing reel portion illustrated in FIG. 1;

FIG. 9 is an enlarged perspective view, similar to FIG. 1, of the fishing reel portion illustrated in FIG. 1;

FIG. 10 is an enlarged perspective view, similar to FIG. 2, of the fishing reel portion illustrated in FIG. 1;

FIG. 11 is an enlarged top plan view, similar to FIG. 5, of the fishing reel portion, illustrated in FIG. 1;

FIG. 12 is an enlarged bottom plan view, similar to FIG. 6, of the fishing reel portion illustrated in FIG. 1;

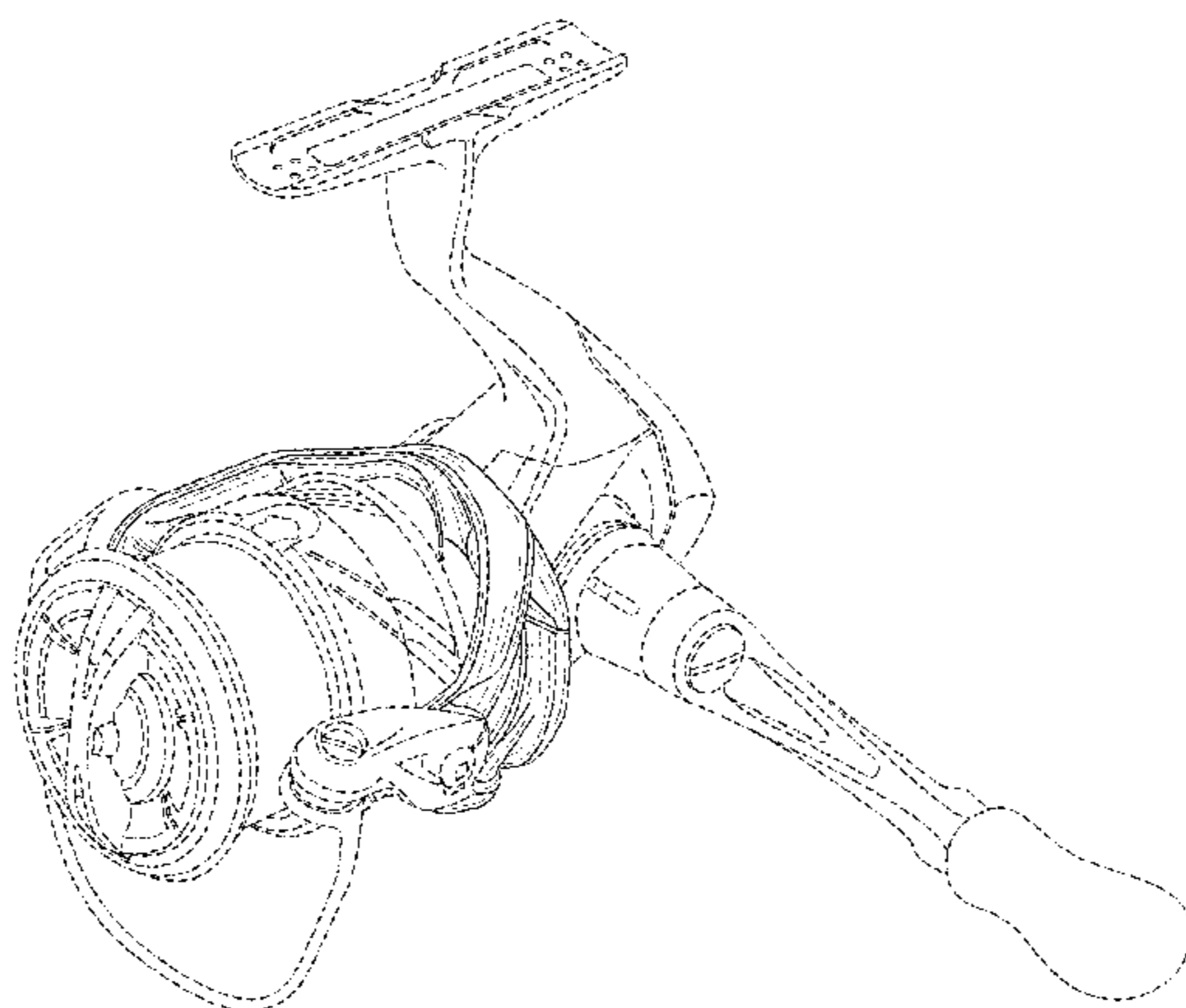
FIG. 13 is an enlarged perspective view, similar to FIG. 9, of an alternate fishing reel portion, which is identical to the fishing reel portion illustrated in FIGS. 1 to 12, except that a boundary of the alternate fishing reel portion is shown in broken lines; and,

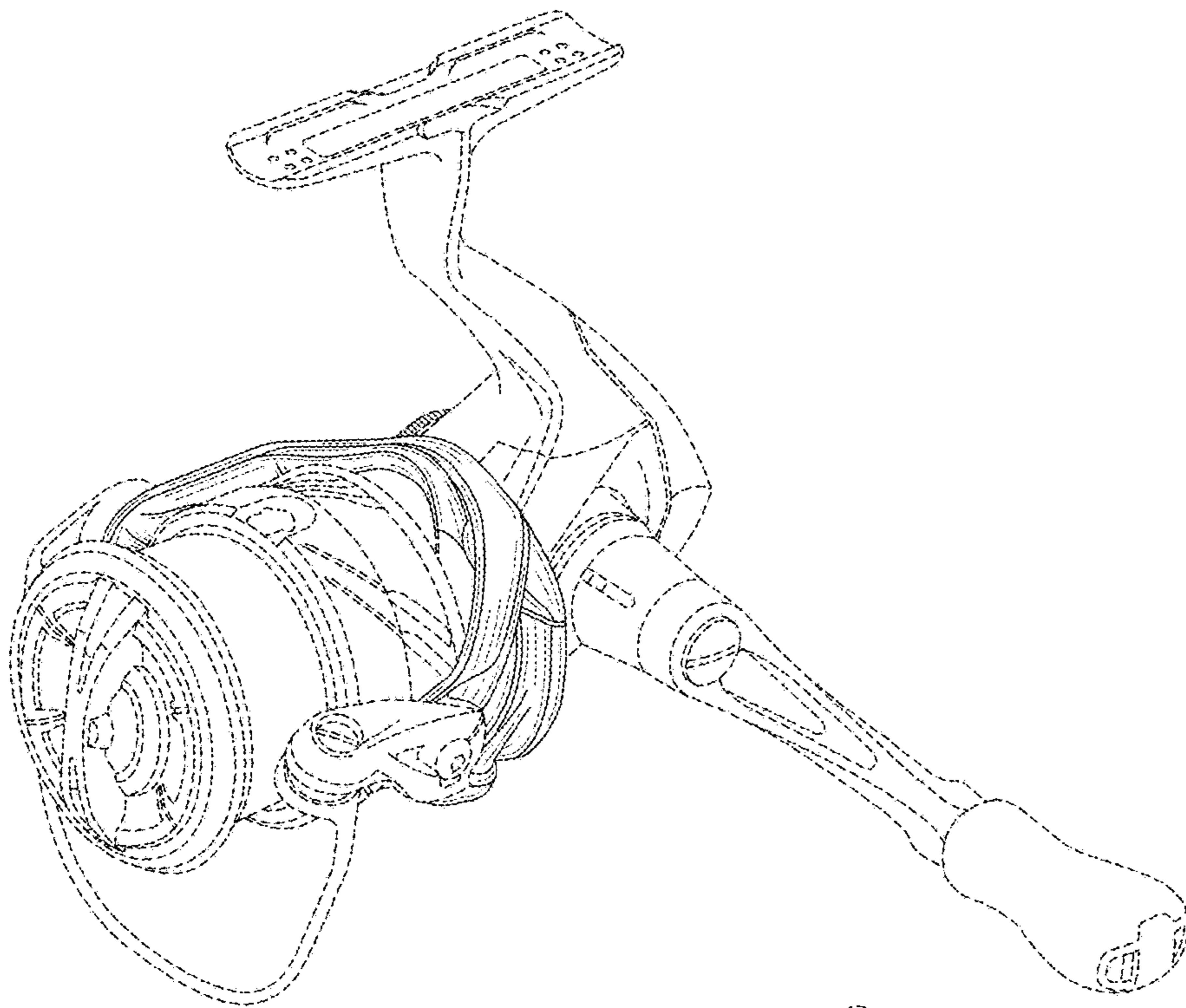
FIG. 14 is an enlarged bottom plan view, similar to FIG. 12, of the alternate fishing reel portion illustrated in FIG. 13, except that the boundary of the alternate fishing reel portion is shown in broken lines.

In the alternate fishing reel portion illustrated in FIGS. 13 and 14, the boundary does not form part of the claimed design. In other words, with respect to the alternate design of the fishing reel portion illustrated in FIGS. 13 and 14, it should be understood that the claimed design extends to the boundary but does not include the boundary shown in broken lines.

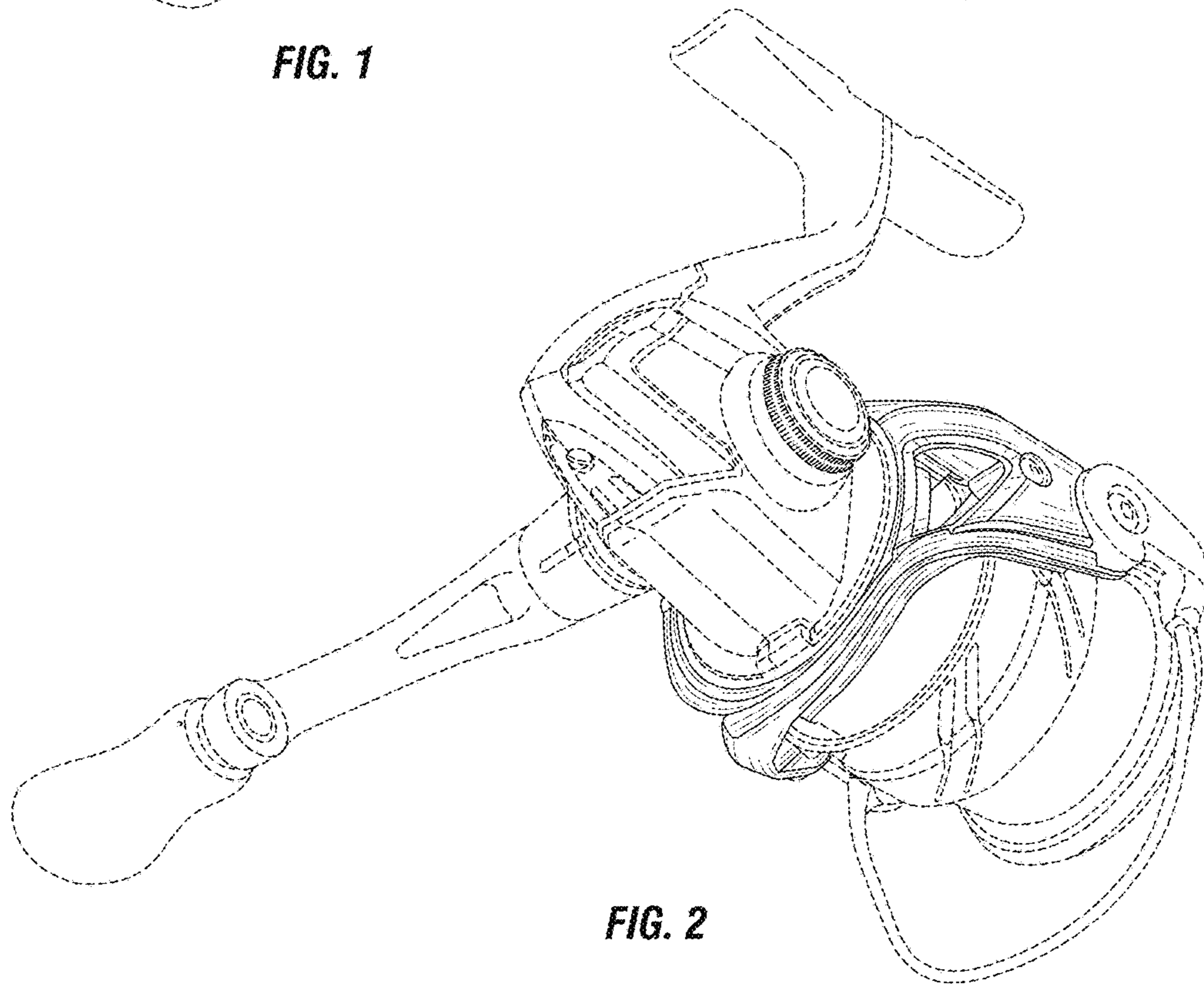
In the drawings, the broken line illustration of the environmental structure (the remaining structure of the fishing reel) in the drawings is not part of the claimed design. The broken line portion of the fishing reel spool does not form part of the claimed design.

**1 Claim, 8 Drawing Sheets**

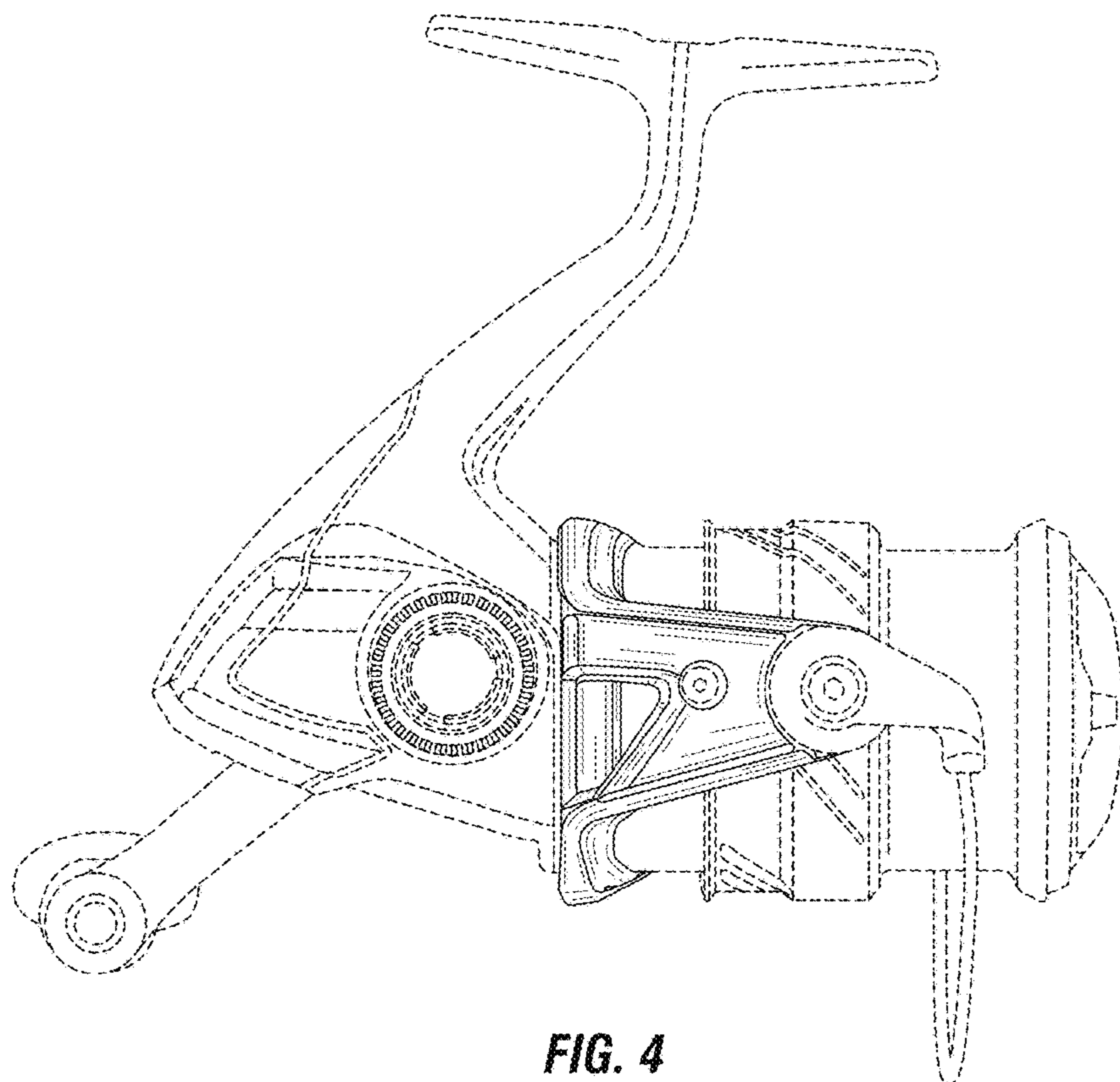
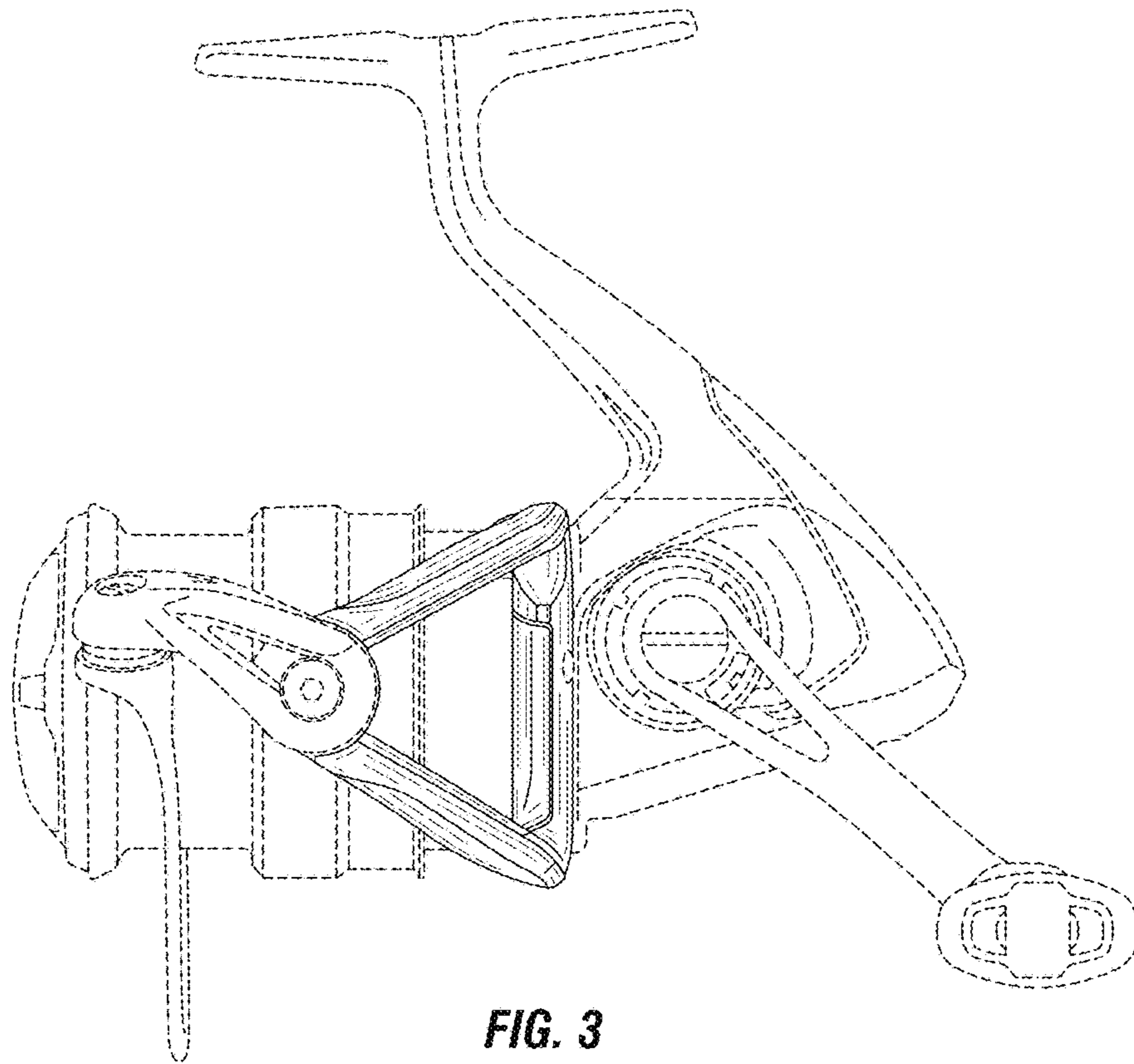


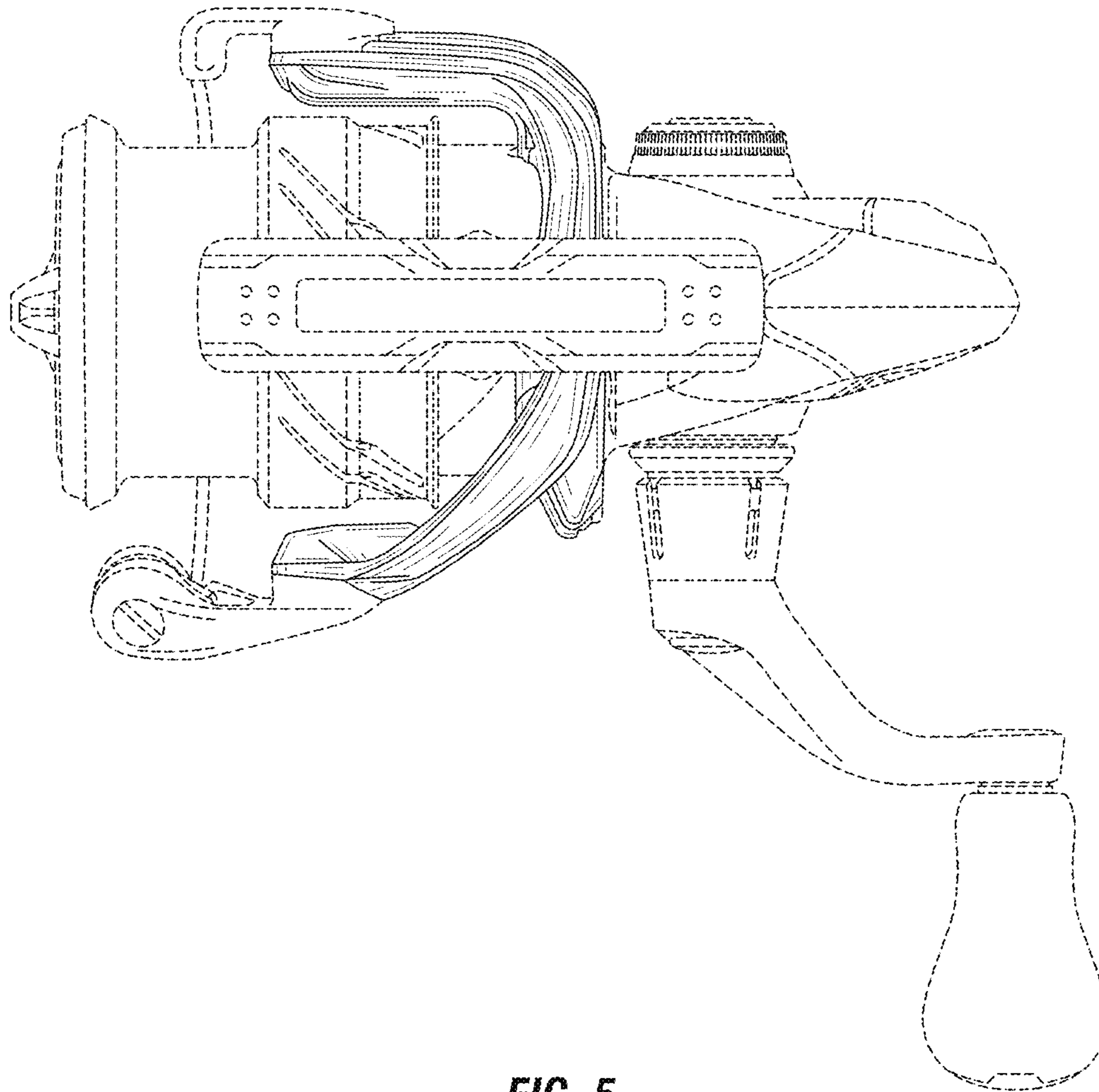


**FIG. 1**

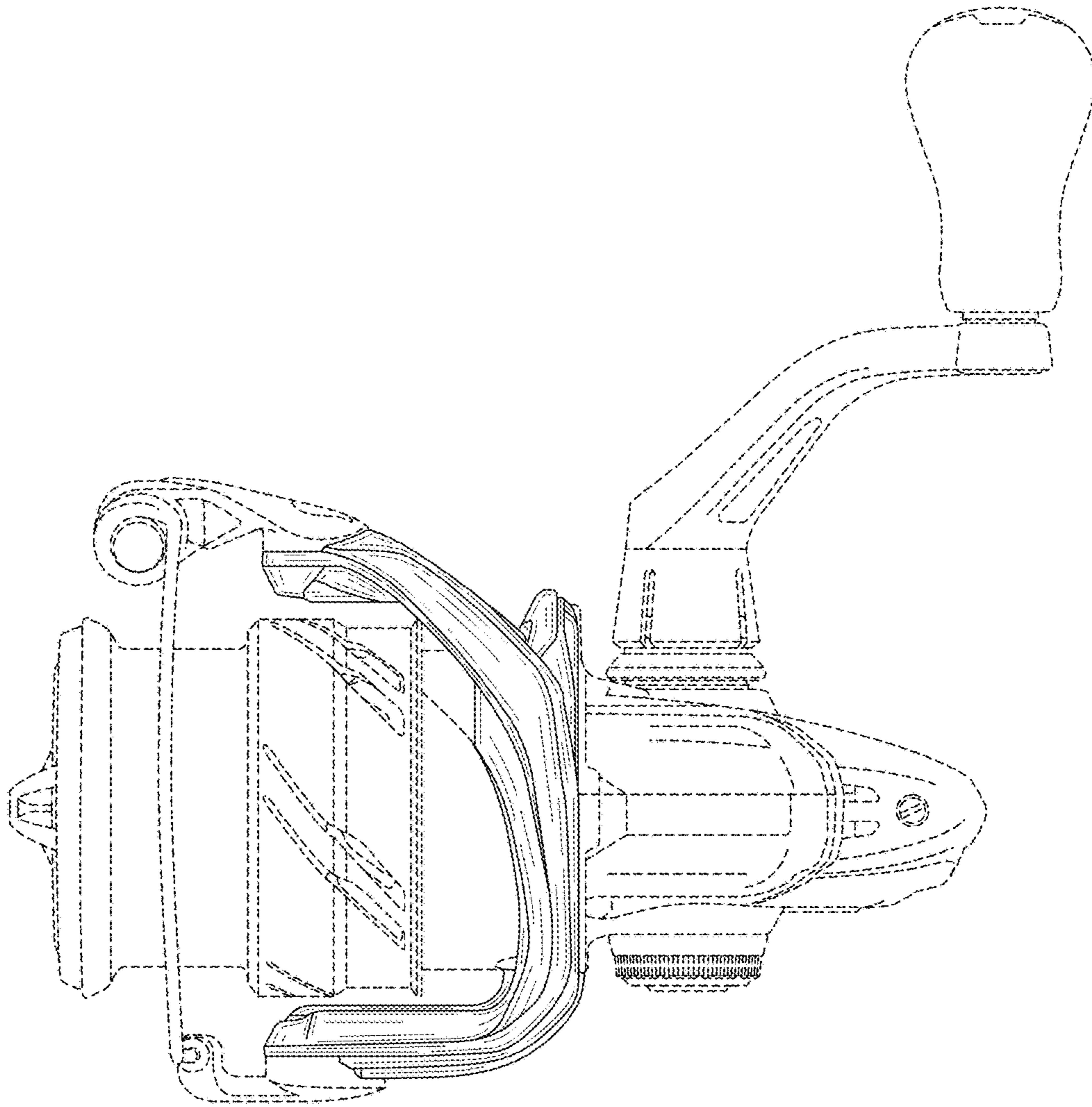


**FIG. 2**

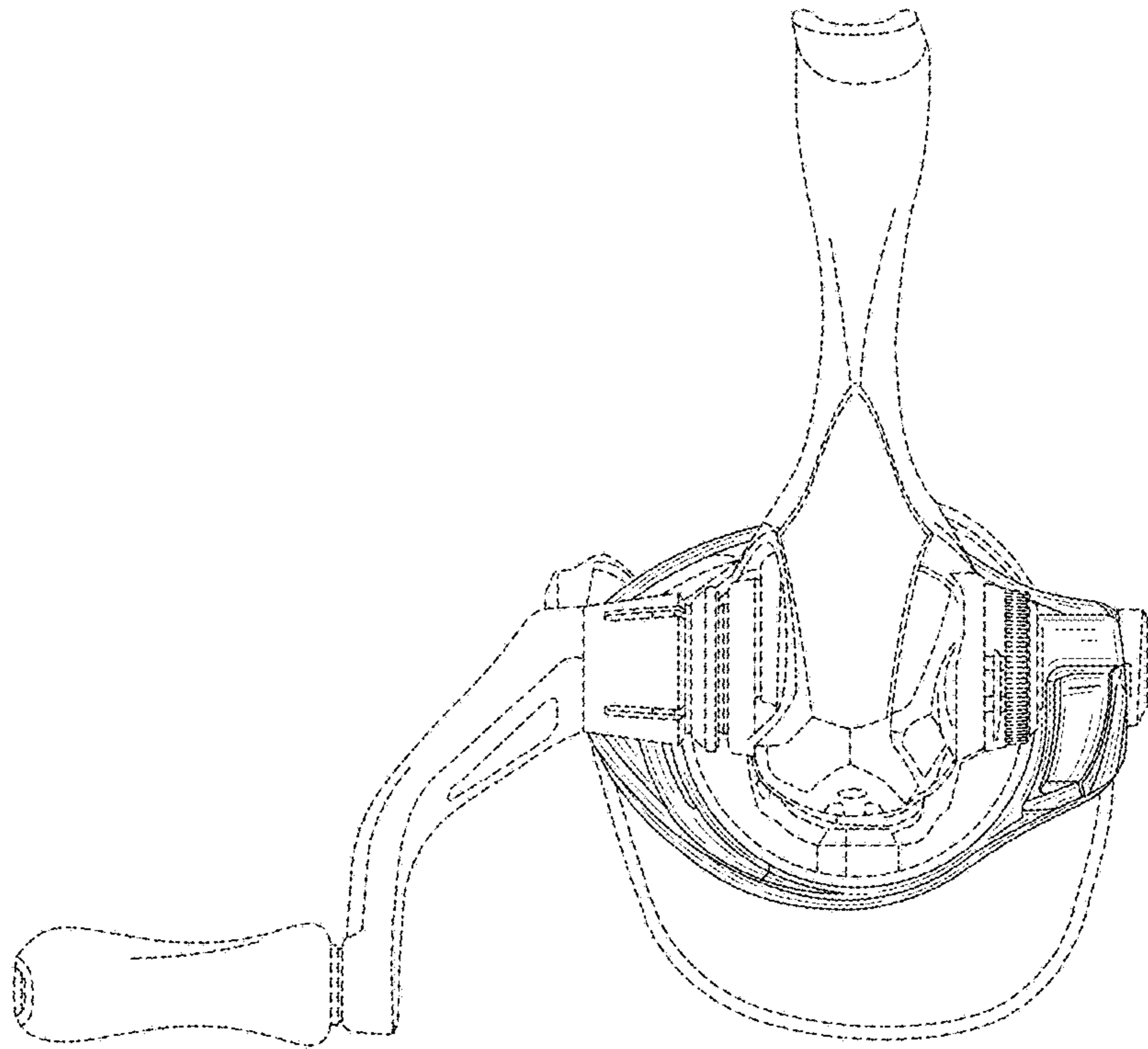




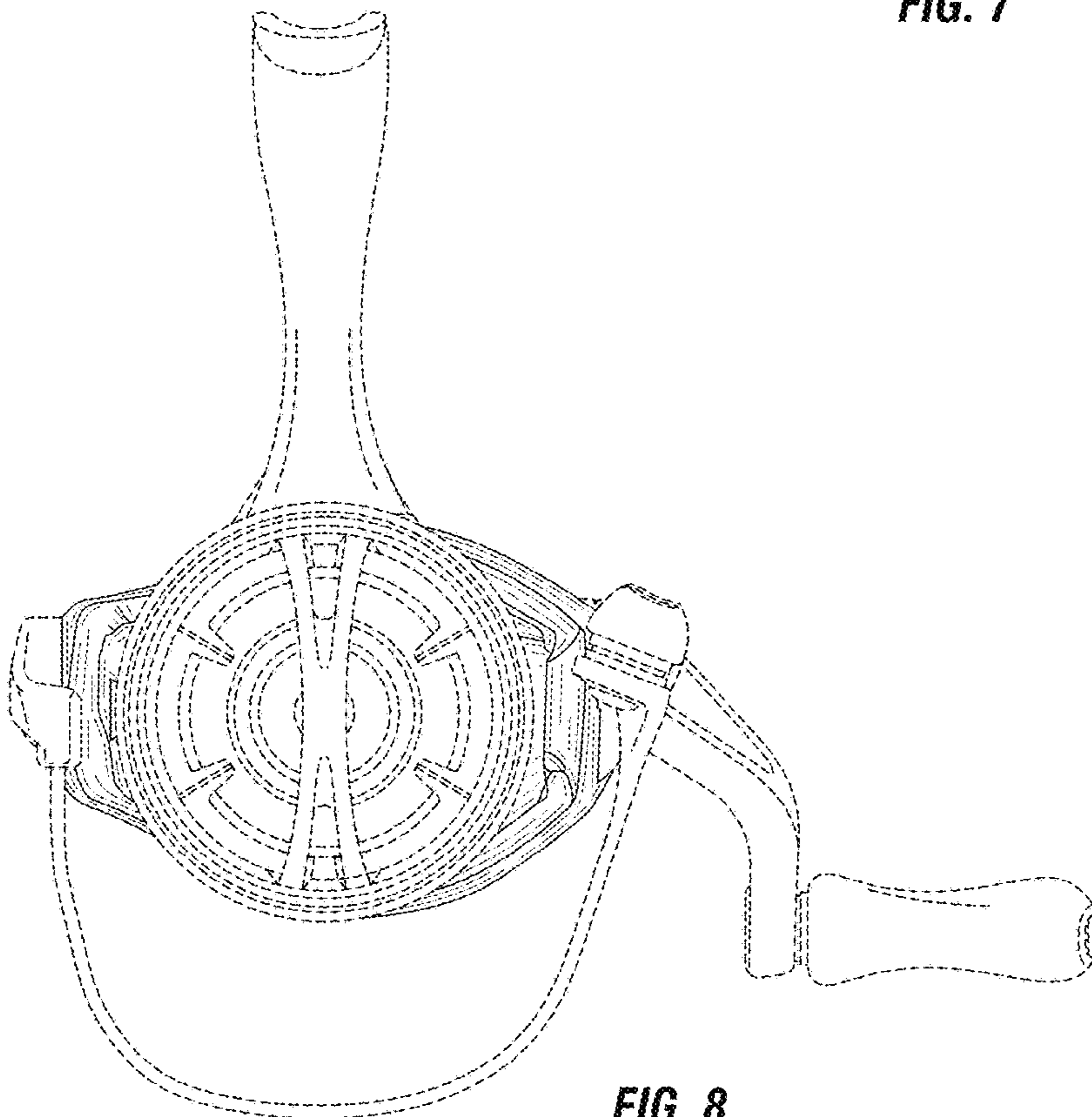
**FIG. 5**



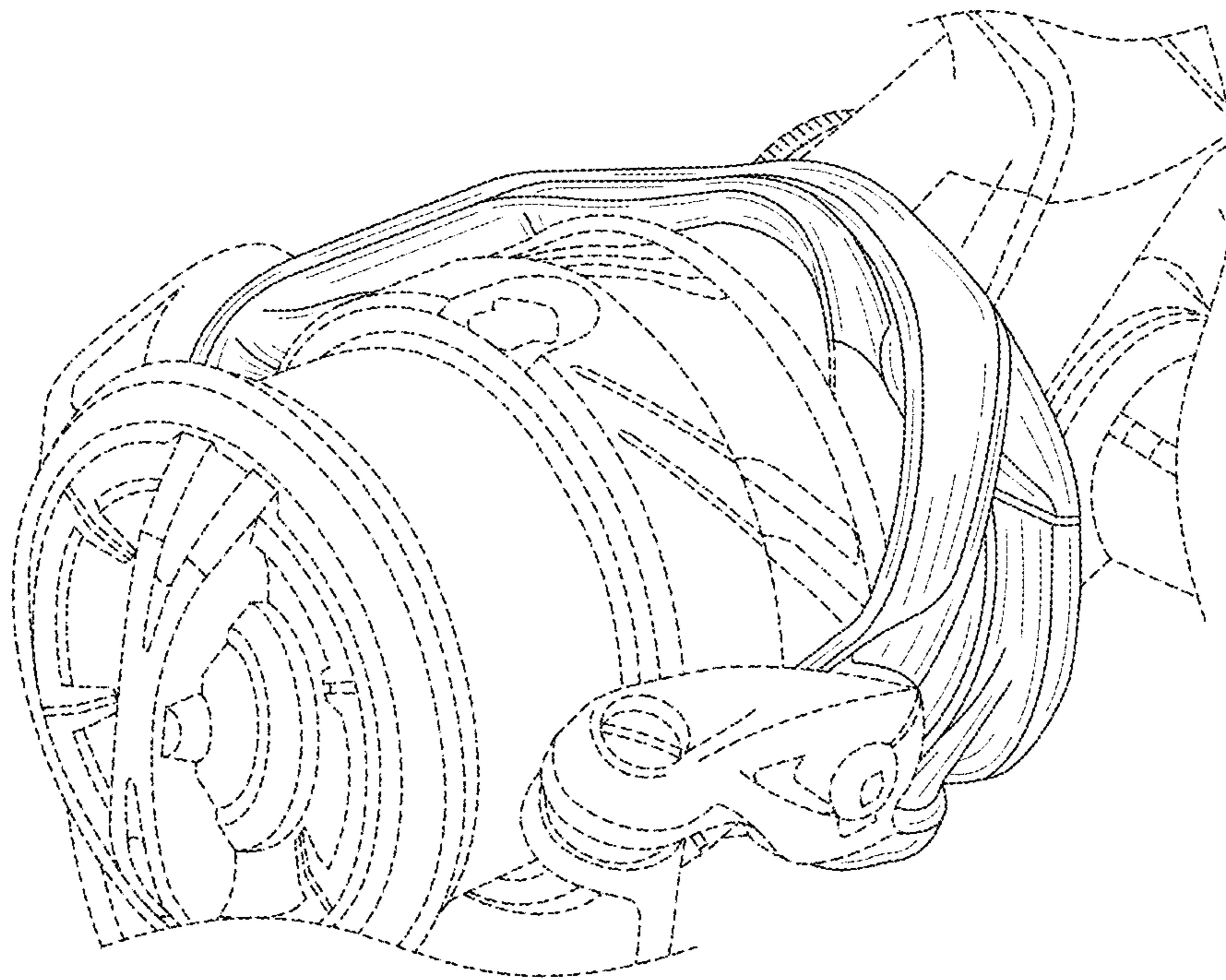
**FIG. 6**



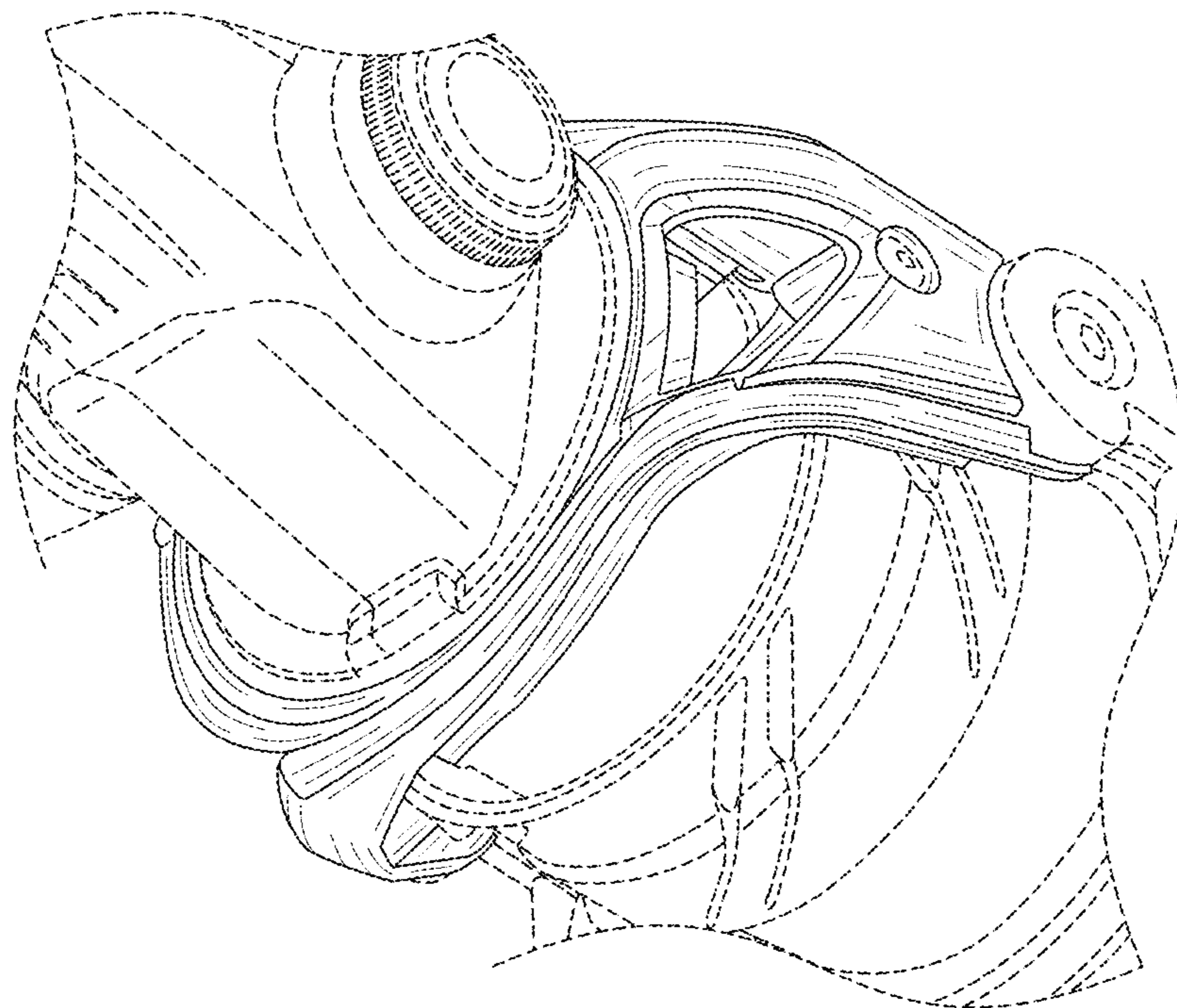
**FIG. 7**



**FIG. 8**



**FIG. 9**



**FIG. 10**

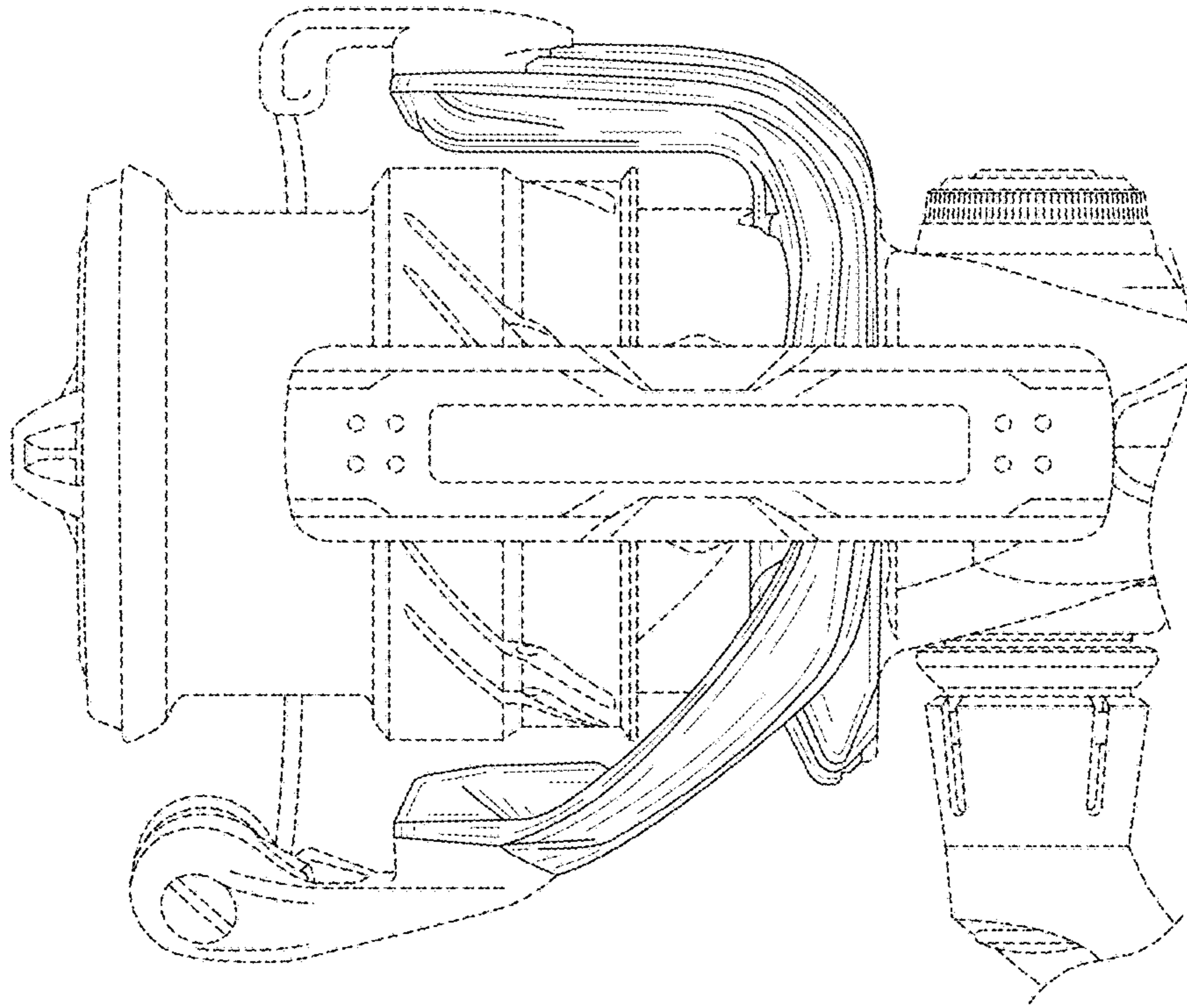


FIG. 11

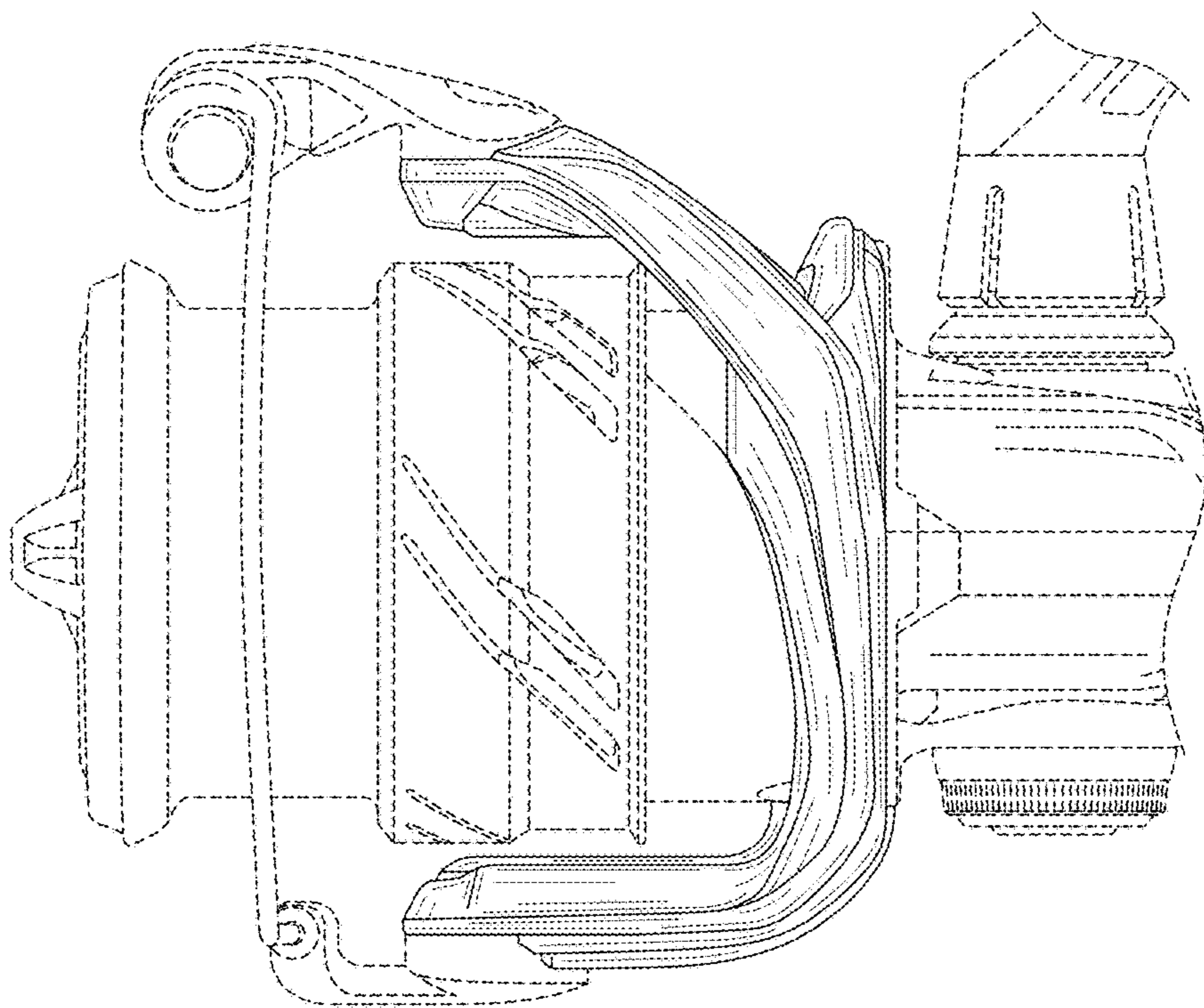
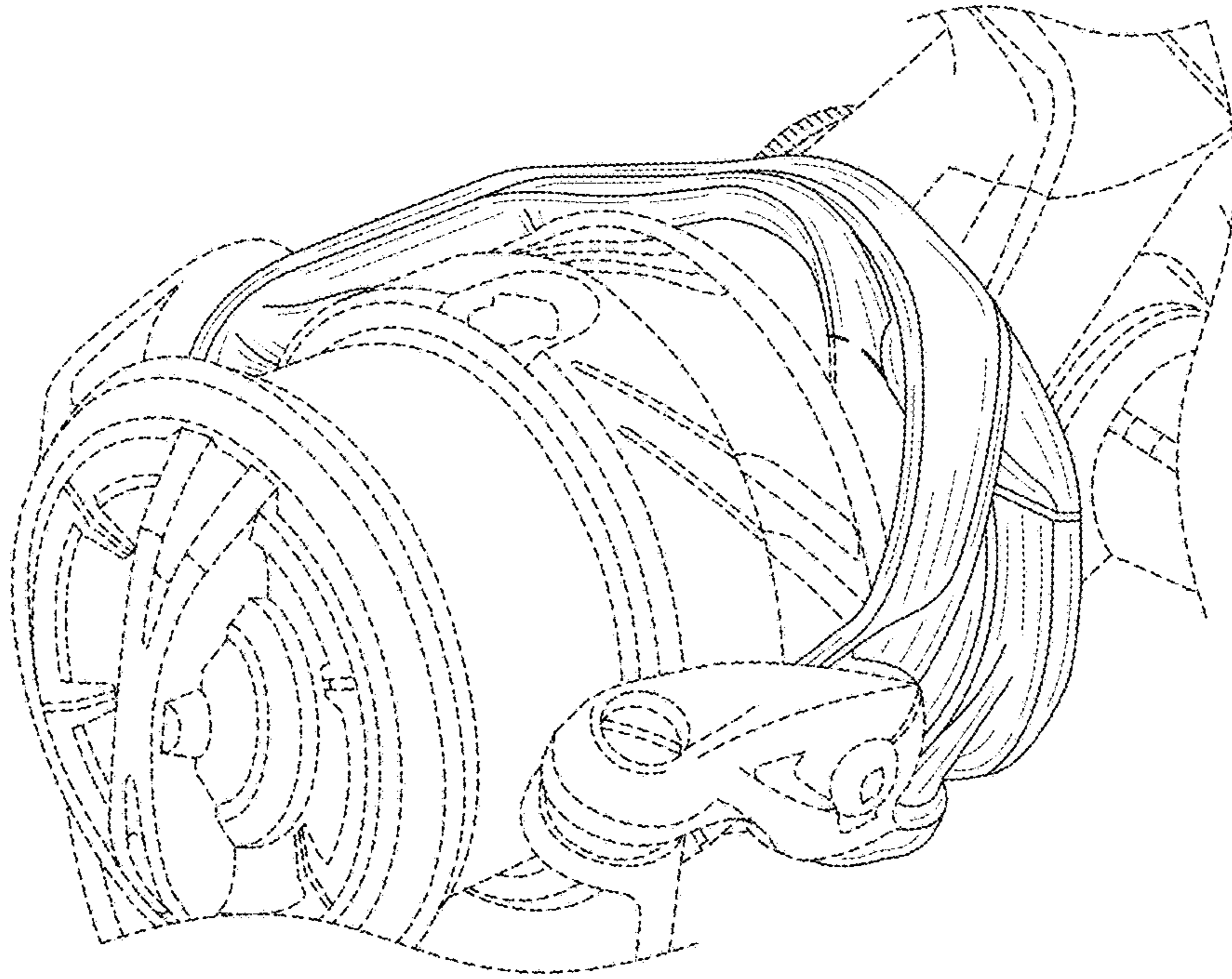
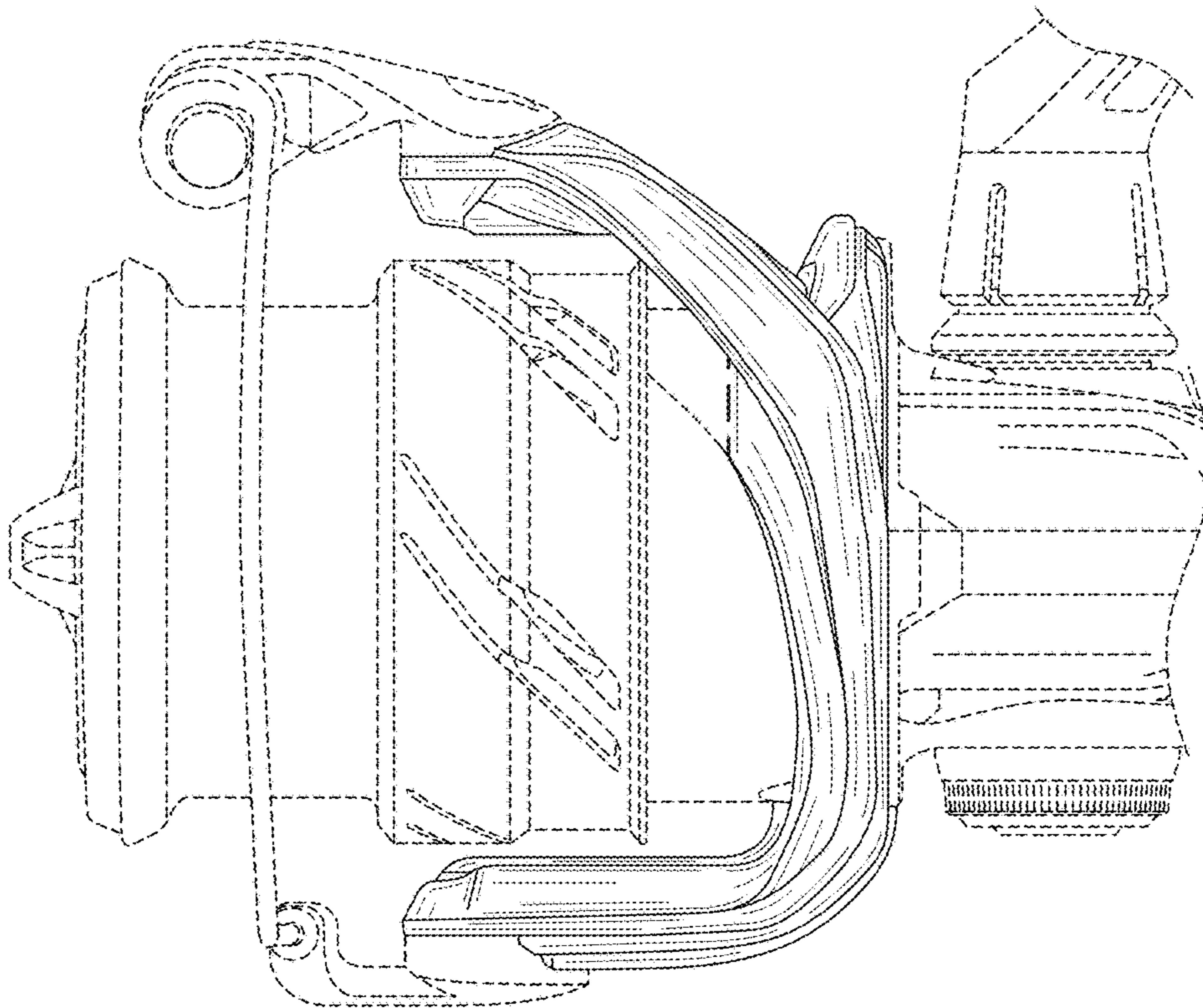


FIG. 12





**FIG. 13**



**FIG. 14**