



US00D782603S

(12) **United States Design Patent**
Fan

(10) **Patent No.:** **US D782,603 S**

(45) **Date of Patent:** **** Mar. 28, 2017**

(54) **STUN GUN WITH FLASHLIGHT**
(71) Applicant: **Zhigang Fan**, Jingjiang (CN)
(72) Inventor: **Zhigang Fan**, Jingjiang (CN)
(**) Term: **15 Years**

(21) Appl. No.: **29/544,428**

(22) Filed: **Nov. 3, 2015**

(51) **LOC (10) Cl.** **22-02**

(52) **U.S. Cl.**
USPC **D22/117**

(58) **Field of Classification Search**
USPC D22/117, 123; D26/8, 33, 37, 38, 46, 49,
D26/133, 134; D29/103
CPC F21L 4/00; F21L 4/02; F21L 4/04; F21L
4/08; F21V 23/04; H04N 7/18
See application file for complete search history.

(56) **References Cited**

U.S. PATENT DOCUMENTS

D532,138 S *	11/2006	Wang	D26/49
D611,115 S *	3/2010	Pennington	D22/117
D621,538 S *	8/2010	Bushee	D26/49
D646,346 S *	10/2011	Rae	D22/117
D674,943 S *	1/2013	Sheikh	D22/117
D689,230 S *	9/2013	Yeh	D26/49
D706,897 S *	6/2014	Sheikh	D22/117
D719,694 S *	12/2014	Nawaz	D22/117
D724,247 S *	3/2015	Chouprinov	D22/117
D736,975 S *	8/2015	Tang	D22/117
D745,200 S *	12/2015	Inskeep	D26/49
D745,987 S *	12/2015	Nawaz	D22/117
D747,521 S *	1/2016	Sheikh	D22/117
D748,309 S *	1/2016	Cheng	D22/117
D750,305 S *	2/2016	Sheikh	D26/38
D751,742 S *	3/2016	Windom	D26/49

D755,428 S *	5/2016	Green	D26/37
D757,319 S *	5/2016	Green	D26/49
2009/0190339 A1 *	7/2009	Galli	F21L 4/00 362/205
2012/0274774 A1 *	11/2012	Bushee	F21L 4/005 348/158
2014/0268713 A1 *	9/2014	Unger	F21L 14/02 362/205
2015/0176780 A1 *	6/2015	Sun	F21L 4/04 362/189
2016/0161069 A1 *	6/2016	Lam	F21L 4/027 362/205

* cited by examiner

Primary Examiner — Manpreet Matharu

Assistant Examiner — Suzanne Tisdell

(74) *Attorney, Agent, or Firm* — Lai, Corsini & Lapus, LLC; Theodore Lapus

(57) **CLAIM**

The ornamental design for a stun gun with flashlight, as shown and described.

DESCRIPTION

FIG. 1 is a front view of varifocal flashlight stun gun with stun/flashlight switch shown.

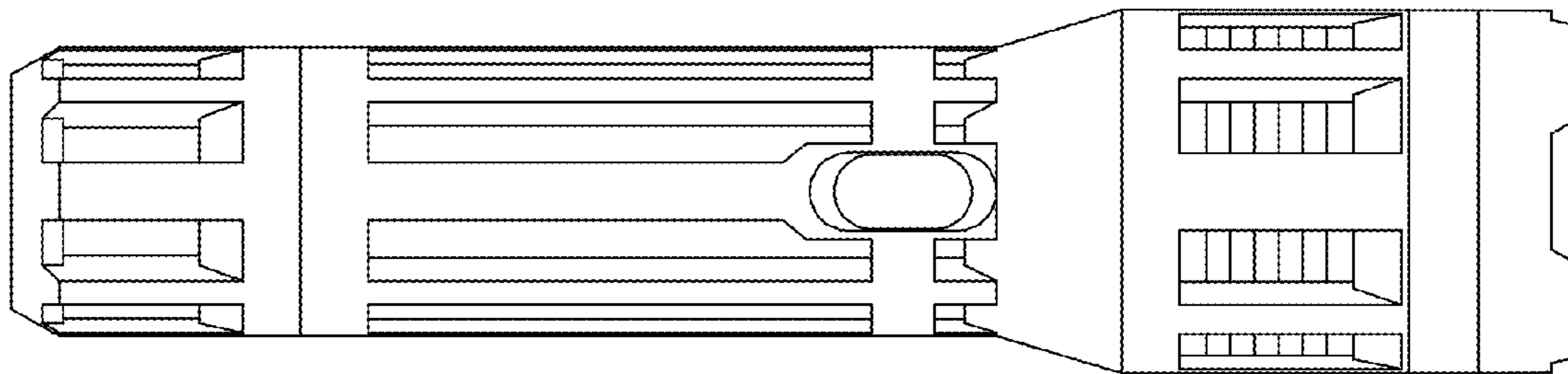
FIG. 2 is a side view of varifocal focus flashlight stun gun with clip shown.

FIG. 3 is a back view of varifocal focus flashlight stun gun with clip and stun activate button shown.

FIG. 4 is a bottom view of varifocal focus flashlight stun gun with charging receptacle, indicator LED and on/off switch shown; and,

FIG. 5 is a perspective view of varifocal focus flashlight stun gun.

1 Claim, 5 Drawing Sheets



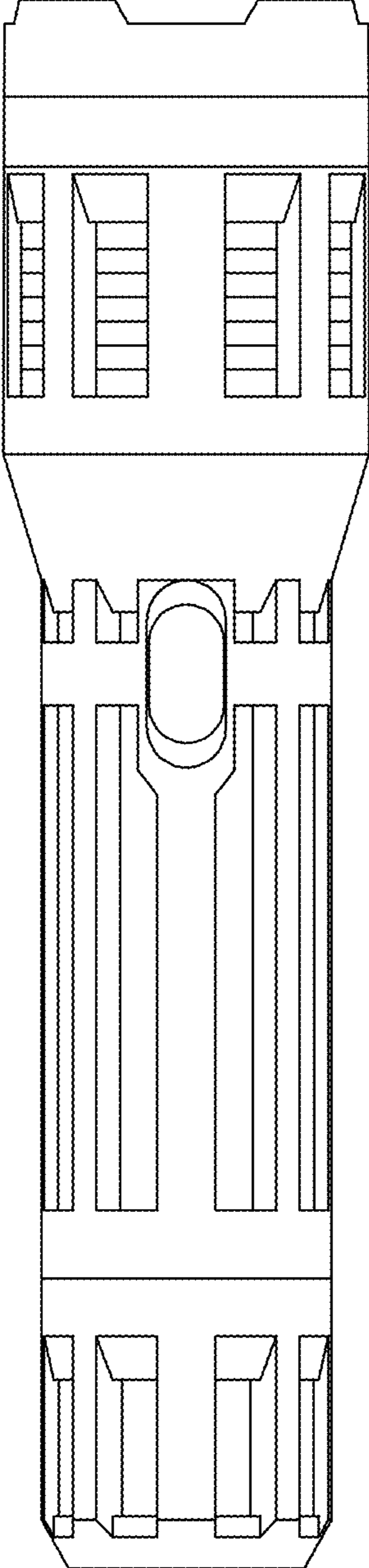


Fig. 1

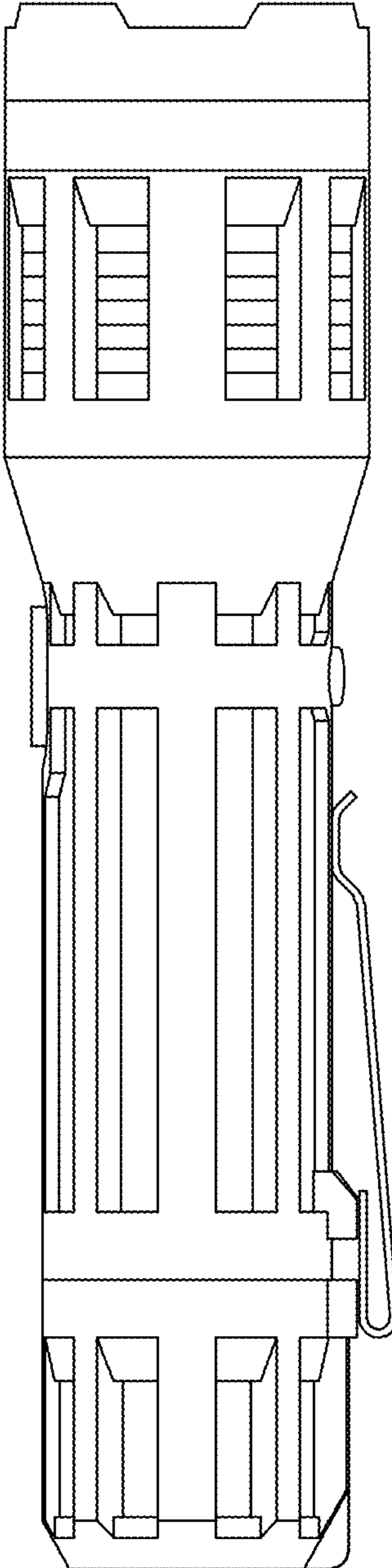


Fig. 2

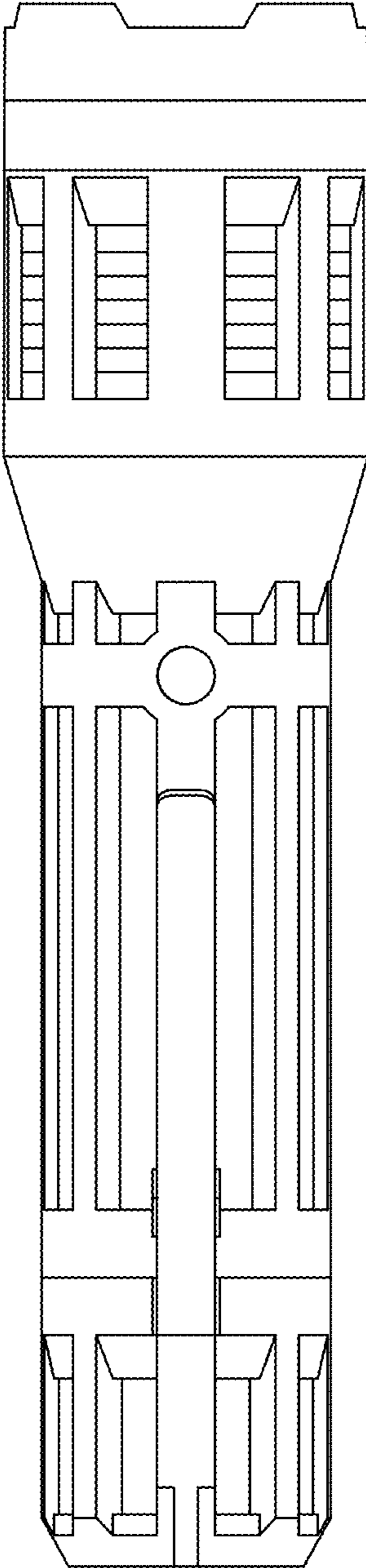


Fig. 3

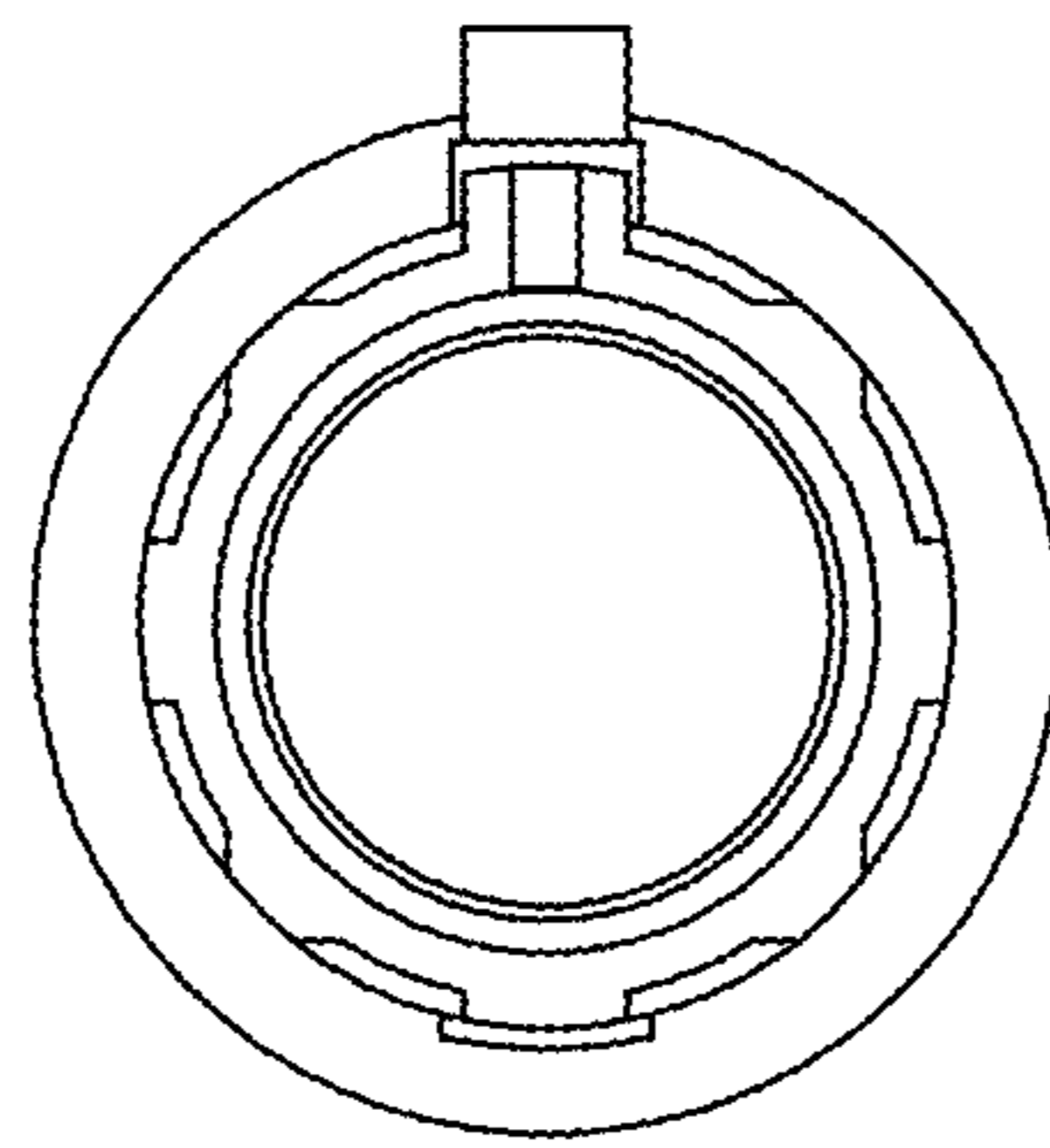


Fig. 4

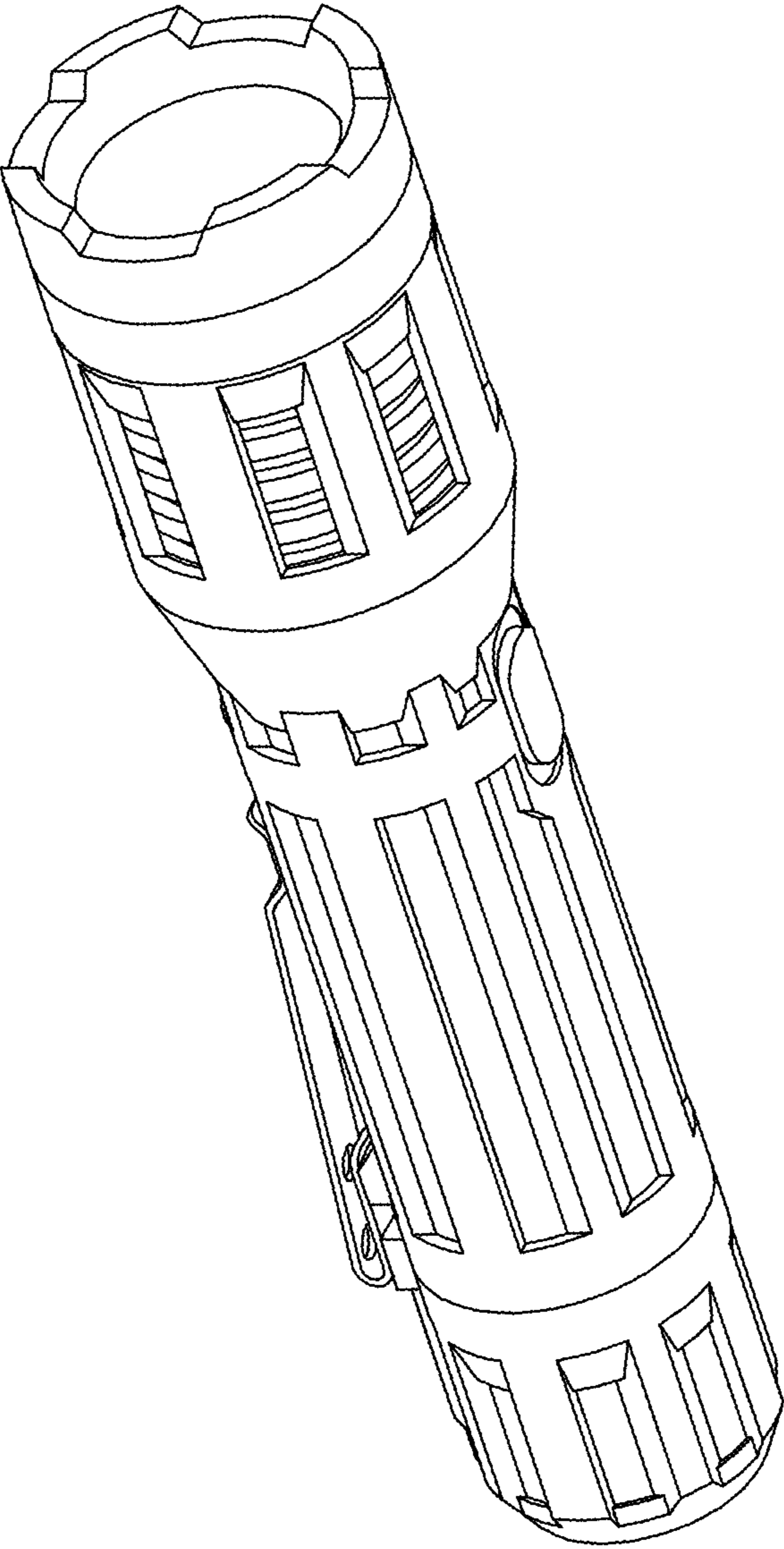


Fig. 5