



US00D782601S

(12) **United States Design Patent**  
**Riley**

(10) **Patent No.:** **US D782,601 S**  
(45) **Date of Patent:** **\*\* Mar. 28, 2017**

- (54) **PELLET**
- (71) Applicant: **Sig Sauer, Inc.**, Newington, NH (US)
- (72) Inventor: **Louis F. Riley**, Weston, FL (US)
- (73) Assignee: **Sig Sauer, Inc.**, Newington, NH (US)
- (\*\*) Term: **14 Years**
- (21) Appl. No.: **29/520,821**
- (22) Filed: **Mar. 18, 2015**
- (51) **LOC (10) Cl.** ..... **22-03**
- (52) **U.S. Cl.**  
USPC ..... **D22/116**
- (58) **Field of Classification Search**  
USPC ..... D22/115-116  
CPC .... F42B 30/02; F42B 5/02; F42B 5/26; F42B  
12/34; F42B 8/04; F42B 10/22; F42B  
8/14; F41A 9/83; F41A 9/82; F41A 9/01;  
F41A 9/09; F41A 9/86  
See application file for complete search history.

- 5,116,224 A \* 5/1992 Kelsey, Jr. .... F42B 10/22  
102/439
- 5,208,424 A \* 5/1993 Schluckebier ..... F42B 12/34  
102/509
- 6,244,186 B1 \* 6/2001 Pichard ..... F42B 6/10  
102/501
- D732,635 S \* 6/2015 Riley ..... D22/116
- D748,220 S \* 1/2016 Fricke ..... D22/116
- 9,329,003 B2 \* 5/2016 Peterson ..... F42B 5/02
- 9,341,455 B2 \* 5/2016 Fricke ..... F42B 12/34
- 9,354,027 B2 \* 5/2016 Flint ..... F42B 12/367

\* cited by examiner

*Primary Examiner* — Michael A Pratt

(74) *Attorney, Agent, or Firm* — Finch & Maloney PLLC

(57) **CLAIM**

The ornamental design for a pellet, as shown and described.

**DESCRIPTION**

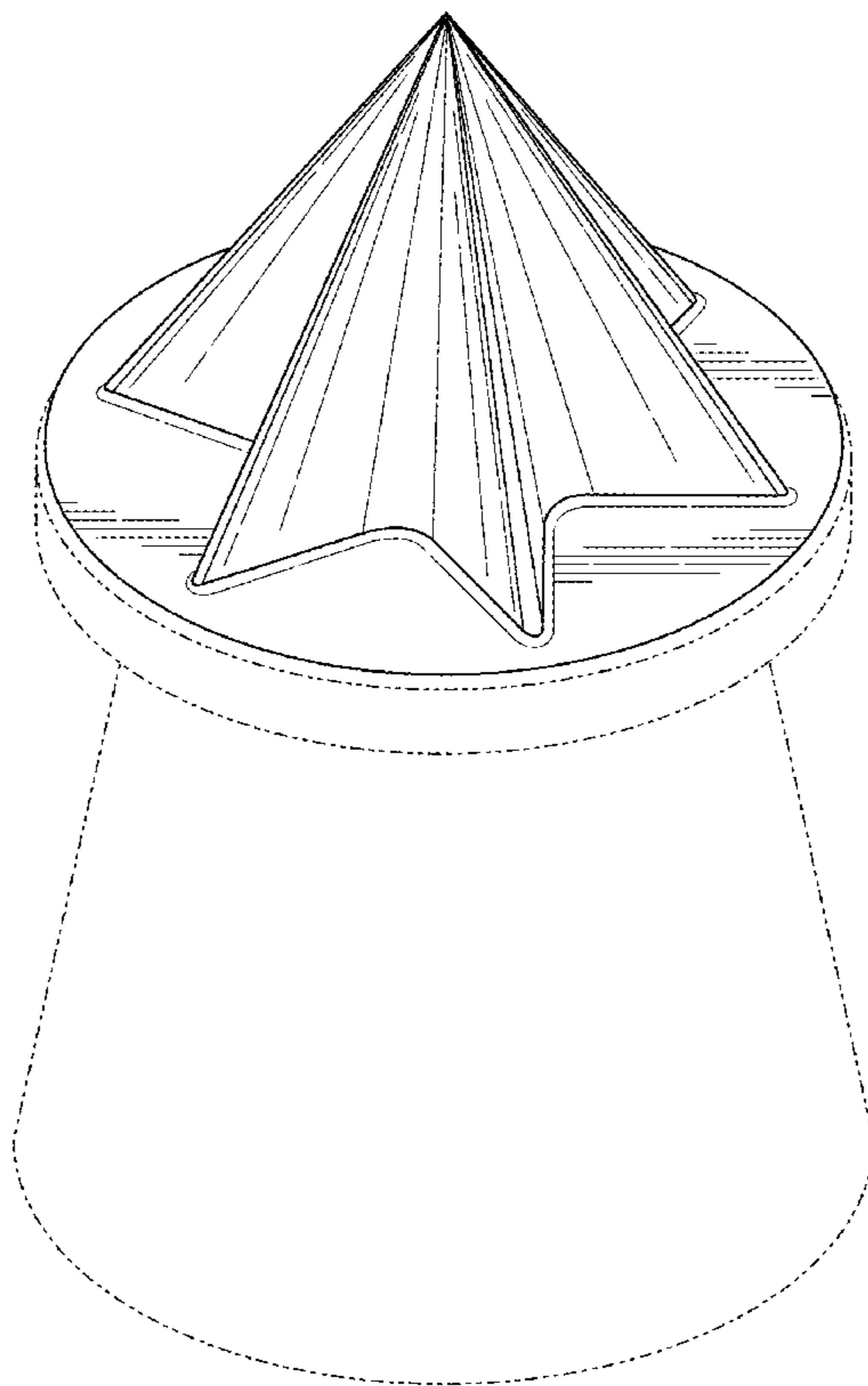
FIG. 1 is a perspective view of a pellet showing my new design;  
 FIG. 2 is a front elevation view of the pellet, the rear elevation view of the pellet being identical;  
 FIG. 3 is a right elevation view of the pellet, the left elevation view of the pellet being identical; and,  
 FIG. 4 is a top elevation view of the pellet.  
 The broken lines in the figures are for the purpose of illustrating environmental structure only and form no part of the claimed design.

**1 Claim, 4 Drawing Sheets**

(56) **References Cited**

U.S. PATENT DOCUMENTS

- 2,936,709 A \* 5/1960 Seavey ..... F42B 5/26  
102/469
- 4,776,279 A \* 10/1988 Pejsa ..... F42B 12/34  
102/510



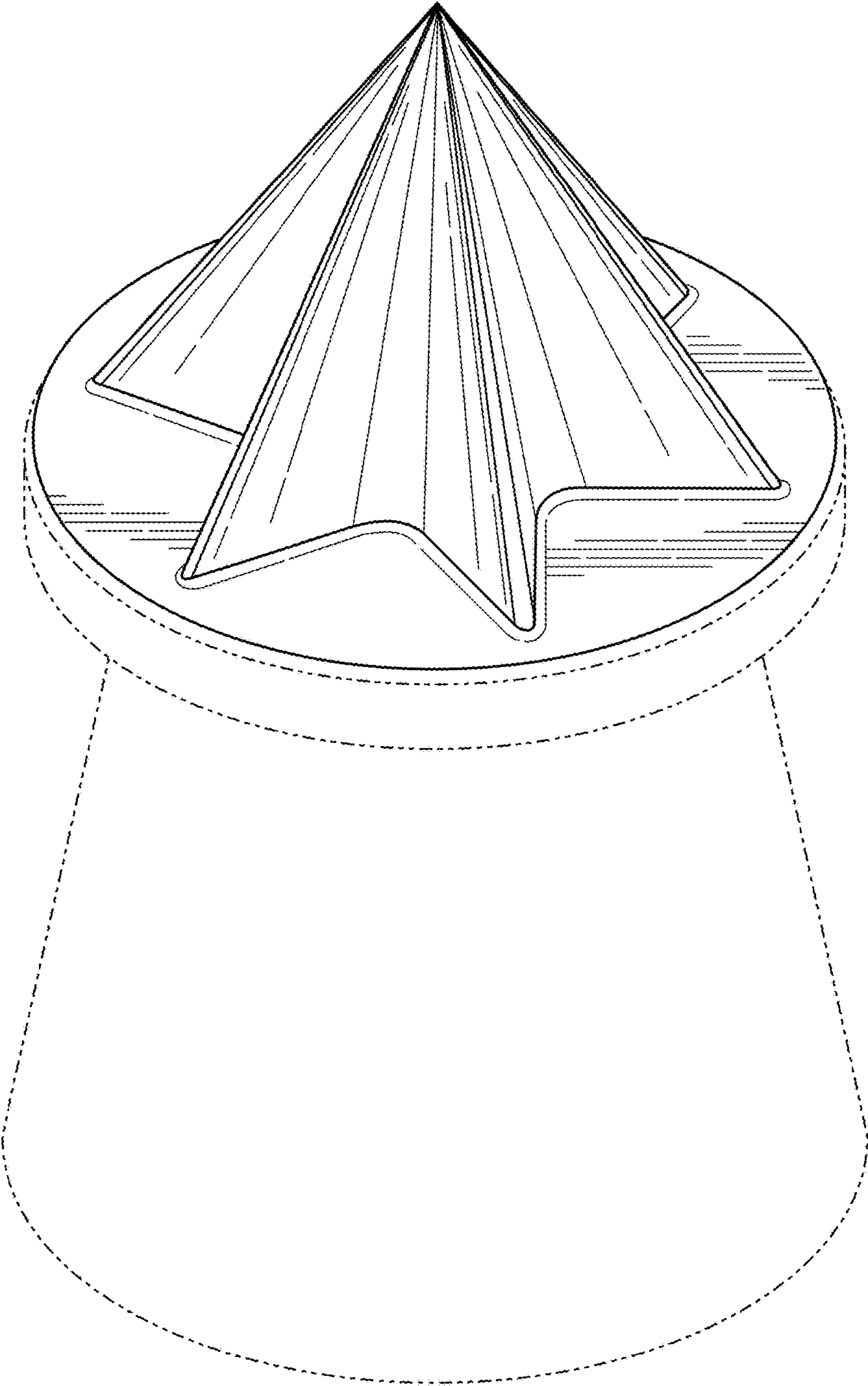


FIG. 1

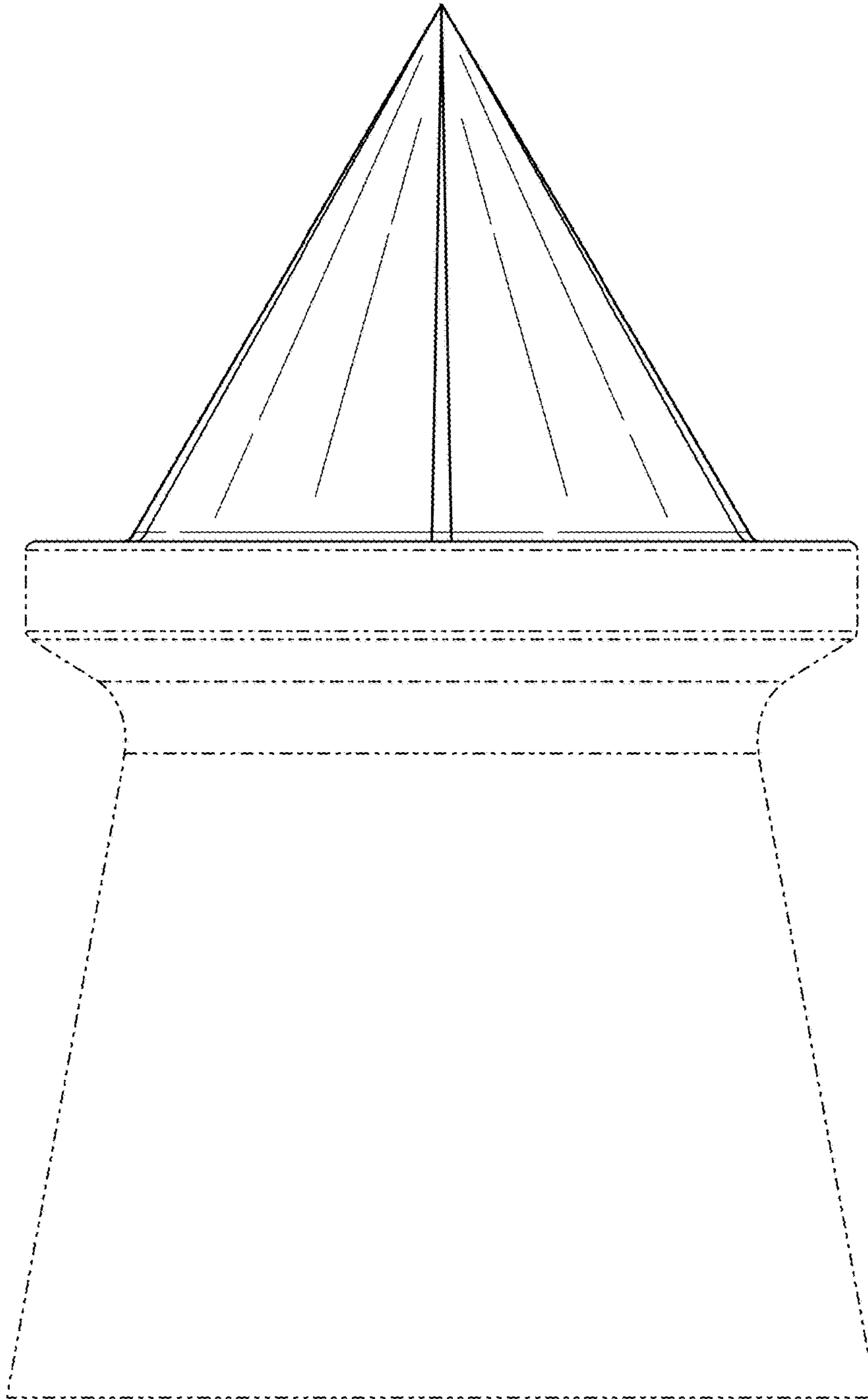


FIG. 2

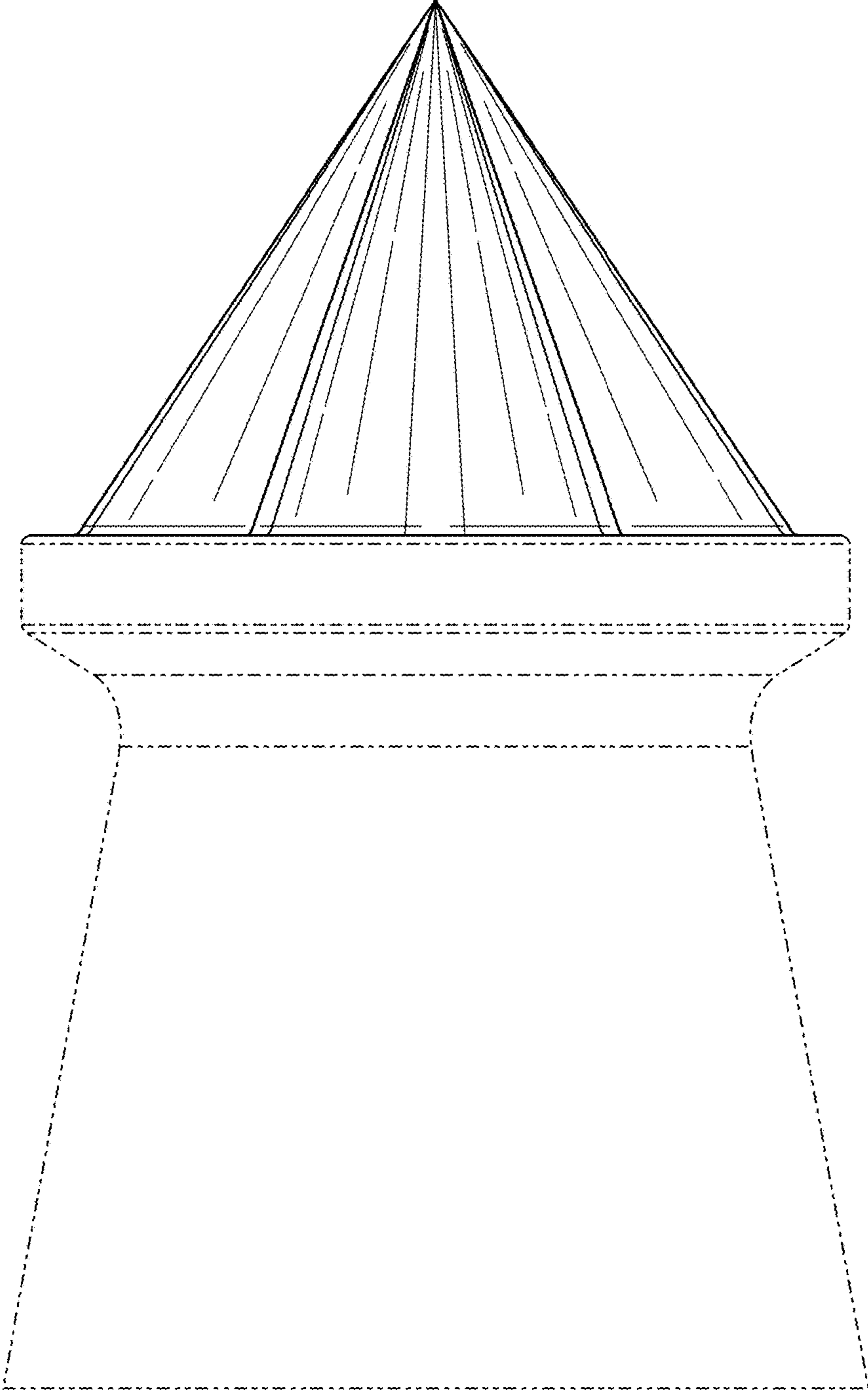


FIG. 3

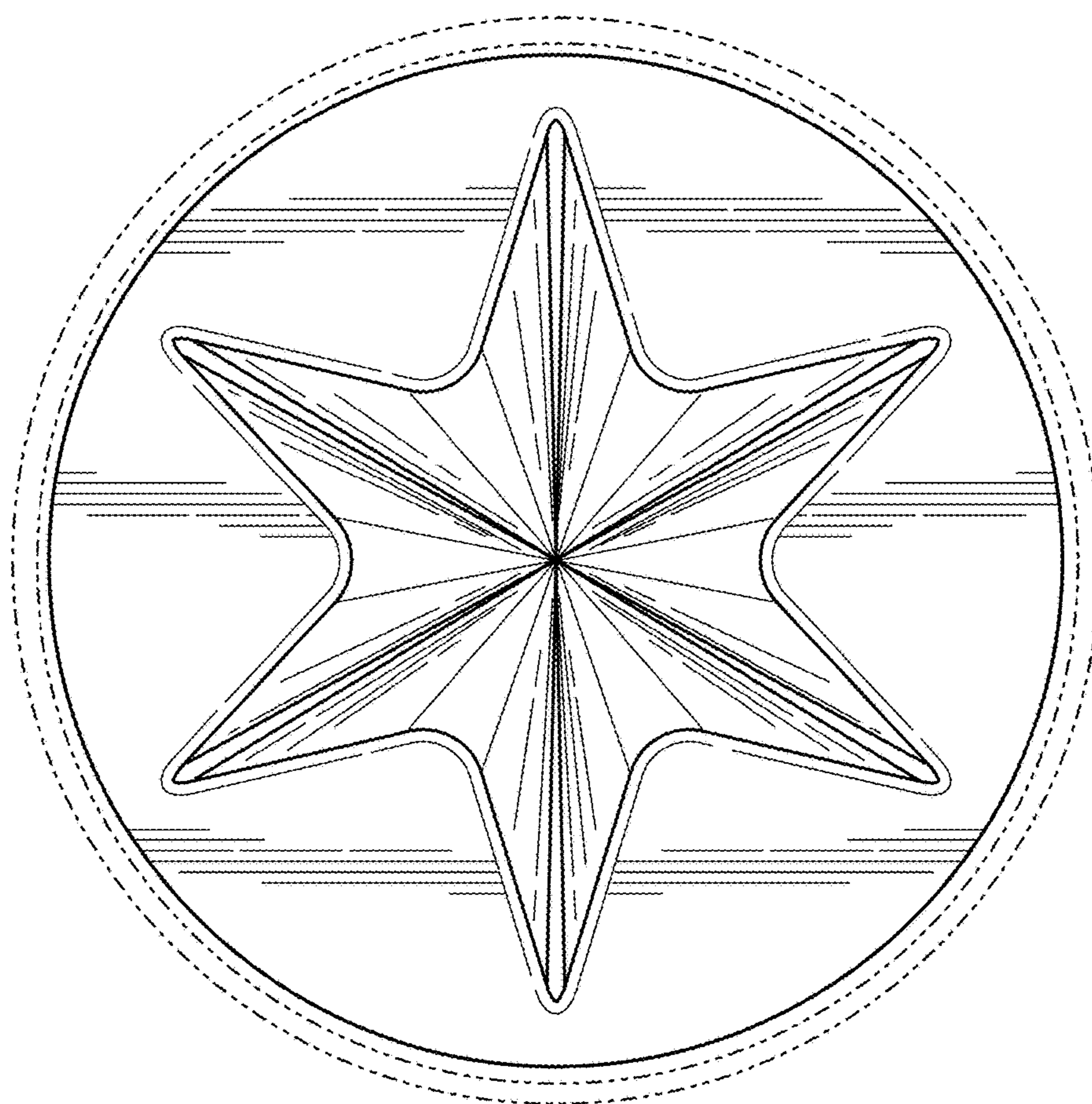


FIG. 4