



US00D782596S

(12) **United States Design Patent**  
**Angstadt et al.**

(10) **Patent No.:** **US D782,596 S**

(45) **Date of Patent:** **\*\* Mar. 28, 2017**

(54) **PISTOL CALIBER AR-15 LOWER RECEIVER**

(71) Applicants: **Rich Adam Angstadt**, Charlotte, NC  
(US); **Adam James Elias**, Raleigh, NC  
(US)

(72) Inventors: **Rich Adam Angstadt**, Charlotte, NC  
(US); **Adam James Elias**, Raleigh, NC  
(US)

(\*\*) Term: **14 Years**

(21) Appl. No.: **29/523,533**

(22) Filed: **Apr. 10, 2015**

(51) **LOC (10) Cl.** ..... **22-01**

(52) **U.S. Cl.**  
USPC ..... **D22/108**

(58) **Field of Classification Search**  
USPC ..... D22/103, 108; D21/572-575  
CPC ..... F41C 23/00; F41C 27/00; F41C 27/06;  
F41C 23/10; F41C 23/14; F41C 23/16;  
F41C 23/18; F41A 5/18; F41A 5/24;  
F41A 21/28

See application file for complete search history.

(56) **References Cited**

**U.S. PATENT DOCUMENTS**

7,444,775	B1 *	11/2008	Schuetz	.....	F41A 9/71	42/49.02
D708,693	S *	7/2014	Faxon	.....	D22/108	
D713,485	S *	9/2014	Firpo, I	.....	D22/108	
D746,936	S *	1/2016	Huang	.....	D22/108	
2013/0340312	A1 *	12/2013	Fulton	.....	F41C 23/14	42/73
2014/0075802	A1 *	3/2014	Dubois	.....	F41A 11/00	42/16

2014/0237878	A1 *	8/2014	Lambert	.....	F41A 3/66	42/75.01
2014/0331535	A1 *	11/2014	Robinson	.....	F41A 3/66	42/6
2015/0101230	A1 *	4/2015	Curtis	.....	F41A 3/66	42/75.01
2015/0153125	A1 *	6/2015	Lutton	.....	F41A 17/46	42/69.01
2015/0176944	A1 *	6/2015	Kupanoff	.....	F41C 23/12	42/73

\* cited by examiner

*Primary Examiner* — Michael A Pratt

(57) **CLAIM**

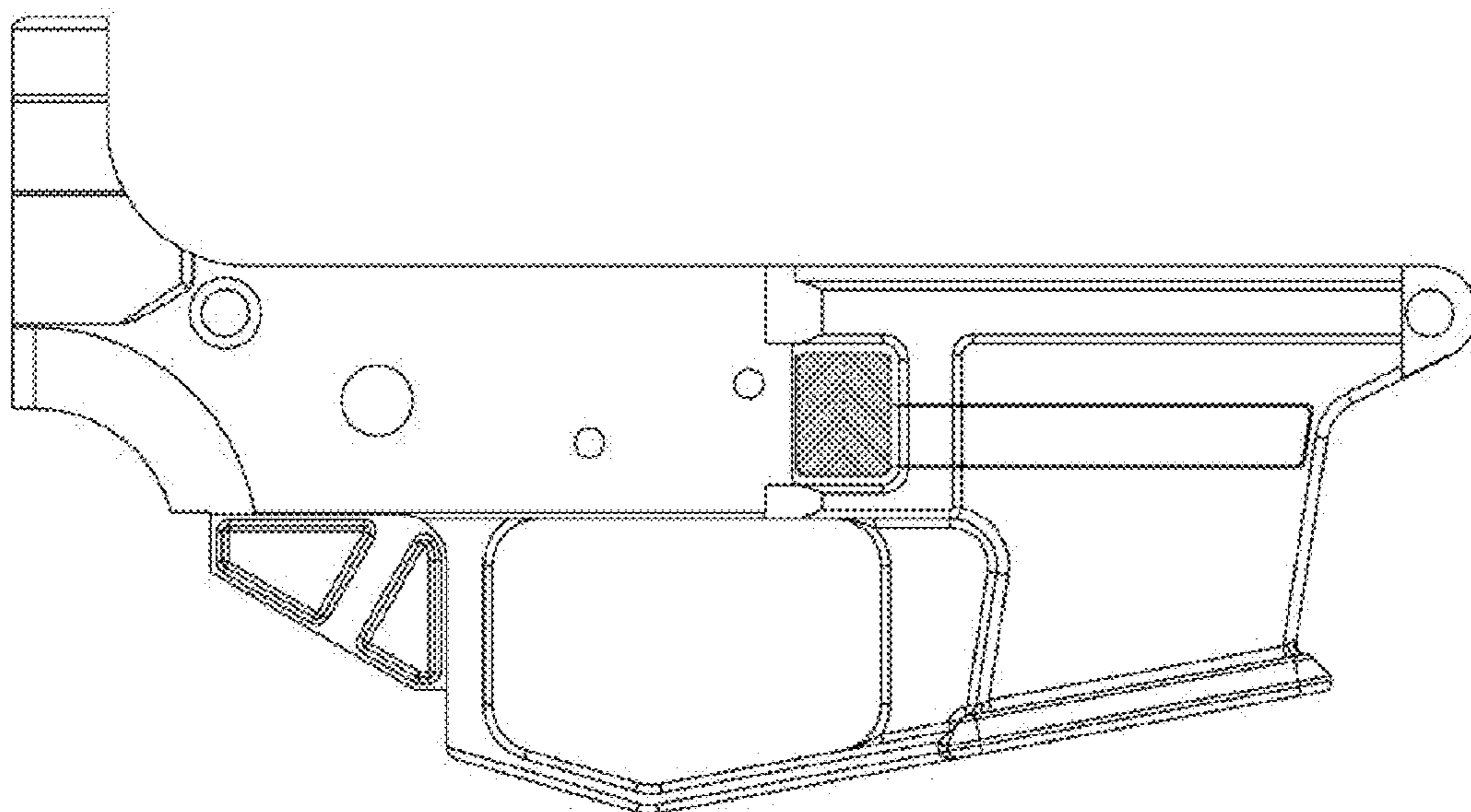
The ornamental design for a pistol caliber AR-15 lower receiver, as shown and described.

**DESCRIPTION**

FIG. 1 is a right side view thereof;  
 FIG. 2 is the left side view thereof;  
 FIG. 3 is a perspective view showing the top view, front view and left side view thereof;  
 FIG. 4 is a perspective view showing the top view, front view and right side view thereof;  
 FIG. 5 is a top side view thereof;  
 FIG. 6 is a bottom side view thereof;  
 FIG. 7 is a front side view thereof; and,  
 FIG. 8 is a rear side view thereof.

Many aspects of the invention can be better understood with reference to the following drawings. The Chevron Pattern shown in FIG. 1 and FIG. 4 is a pattern machined into the Magazine Release.

**1 Claim, 8 Drawing Sheets**



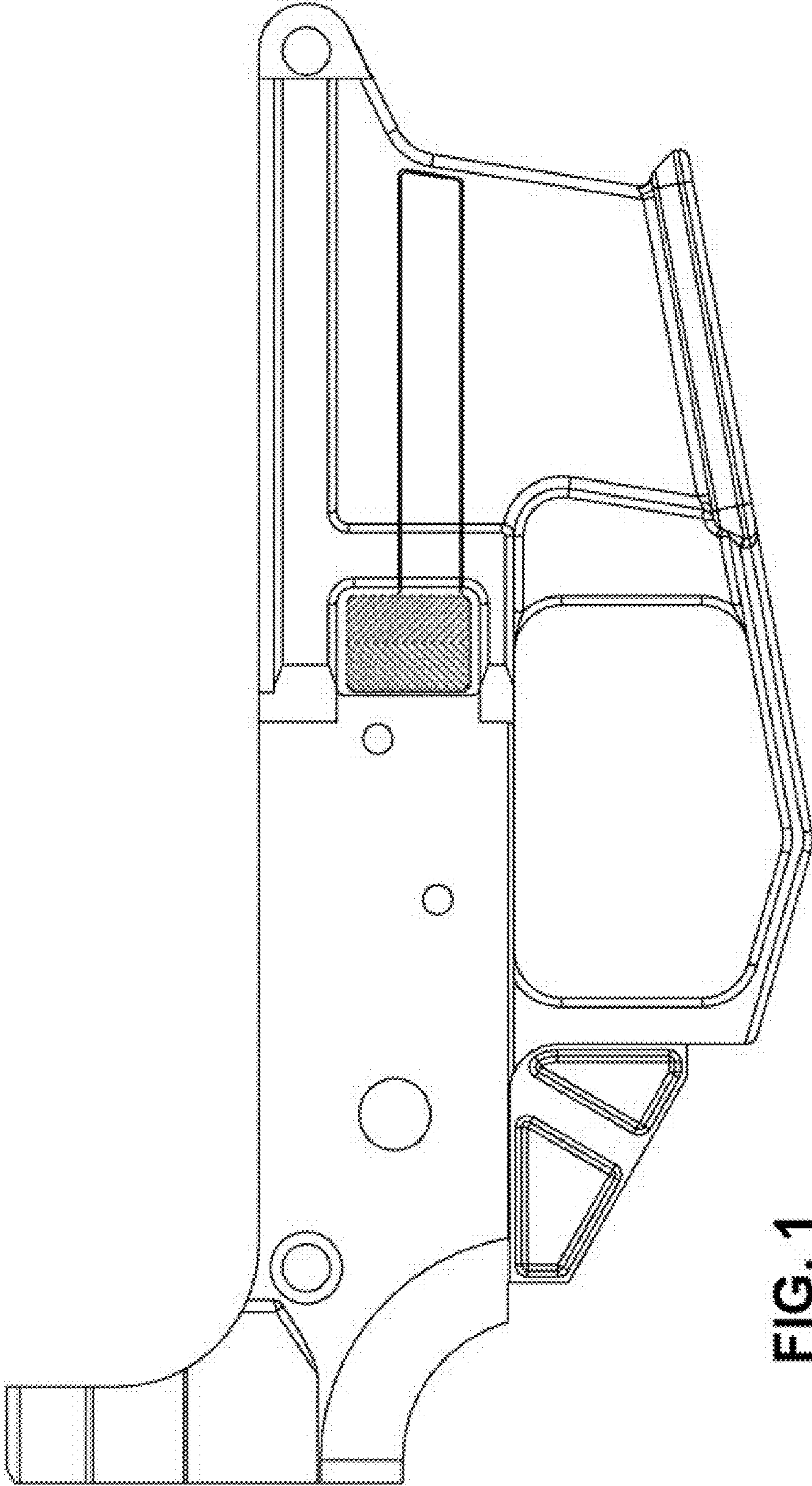


FIG. 1

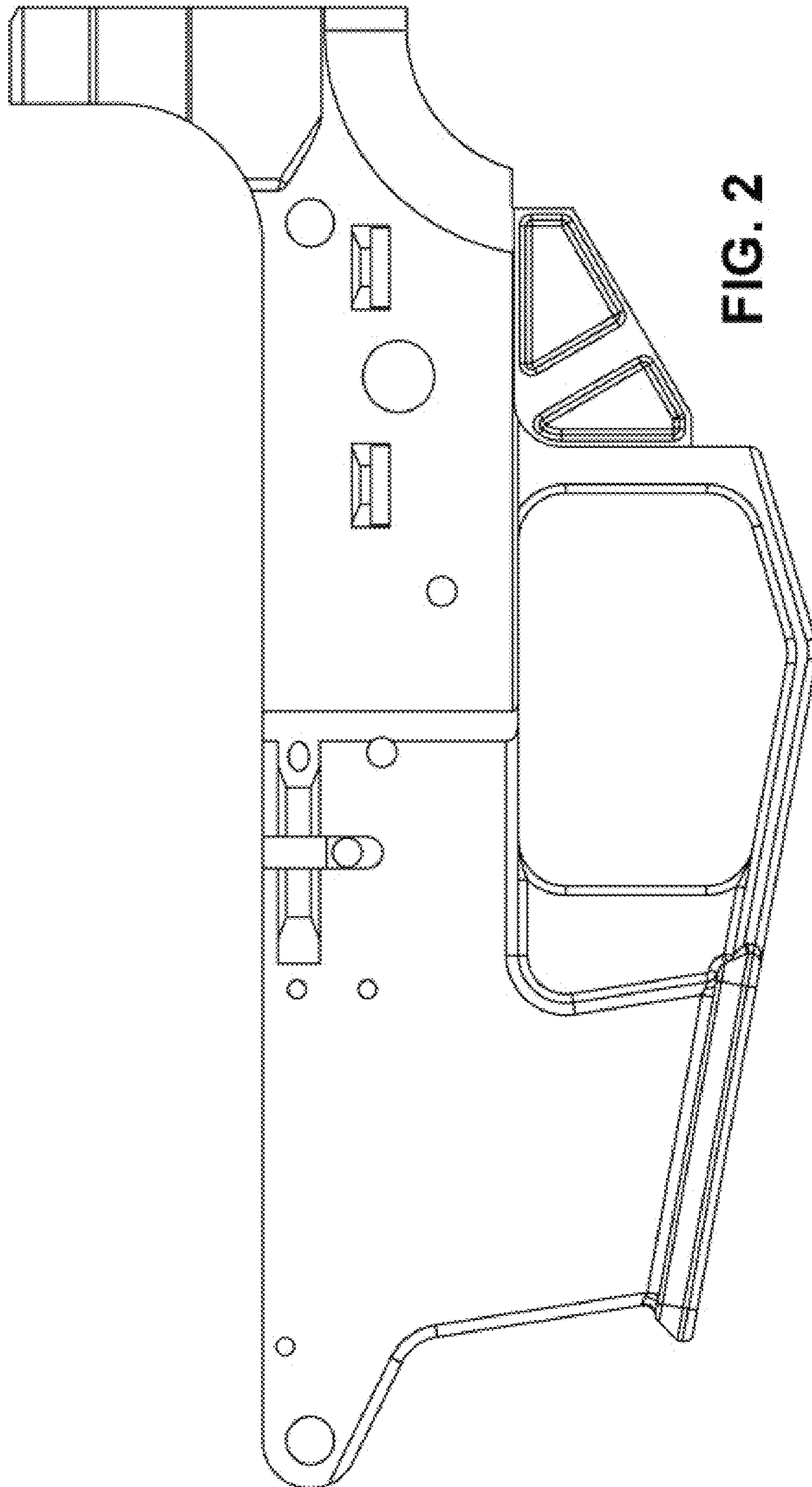


FIG. 2



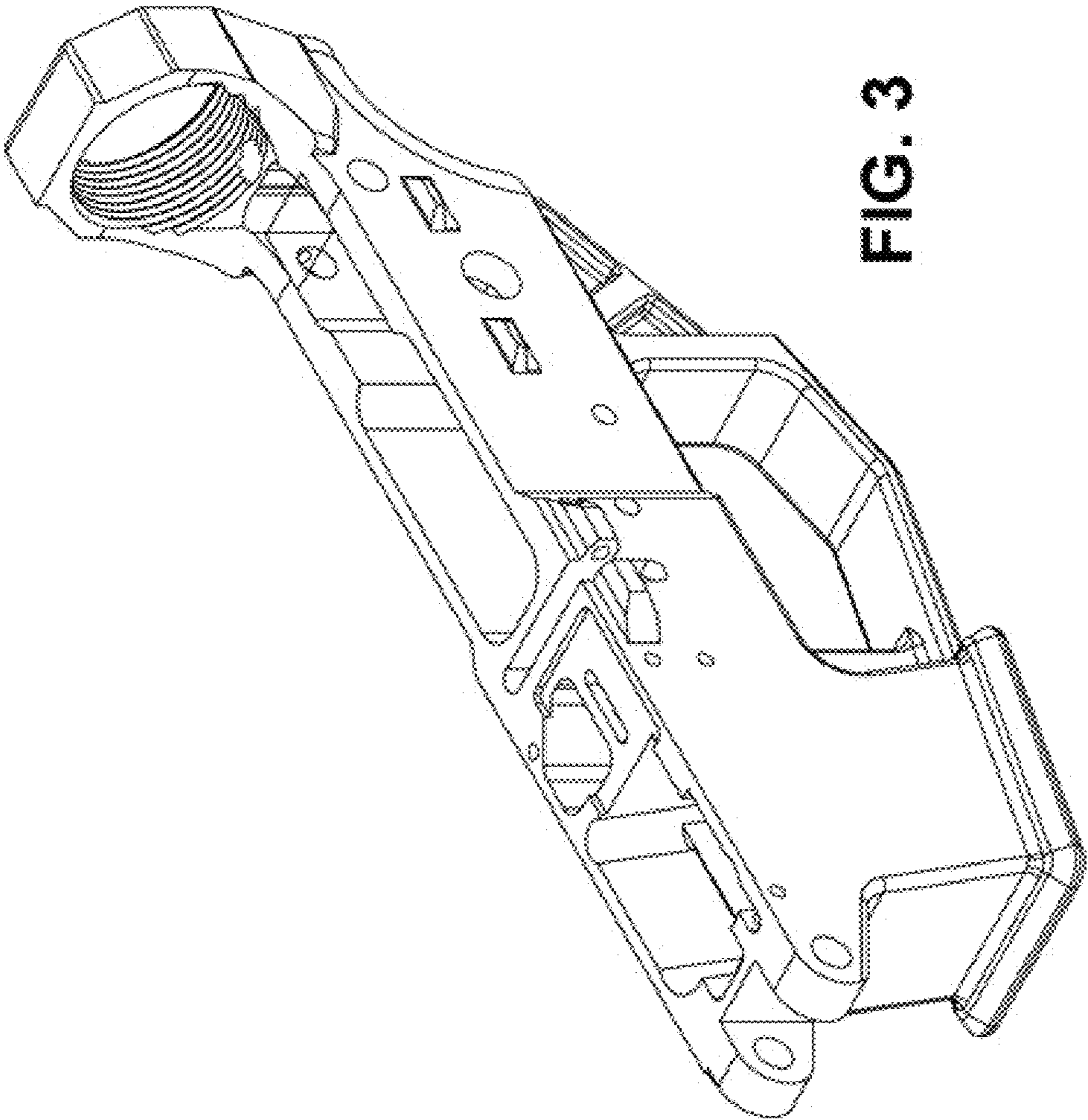


FIG. 3

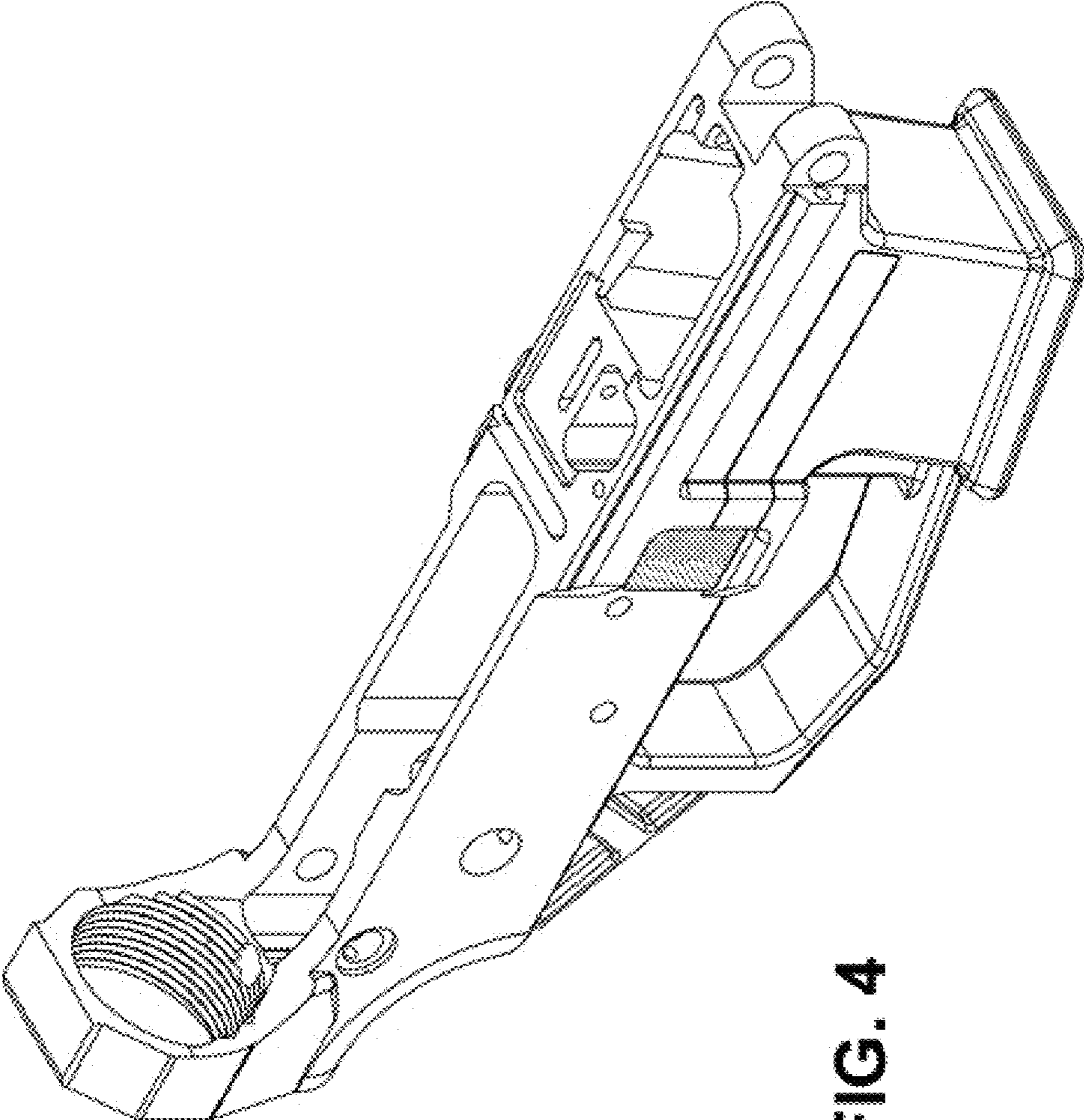


FIG. 4

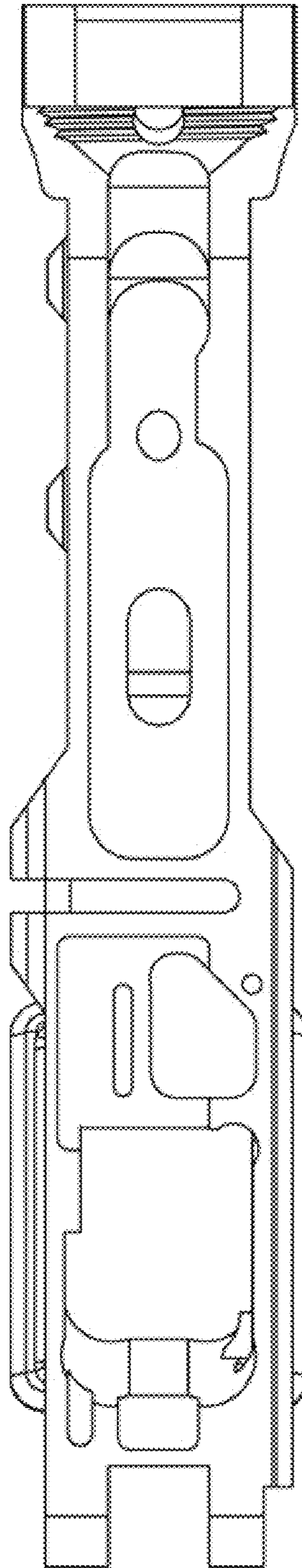


FIG. 5

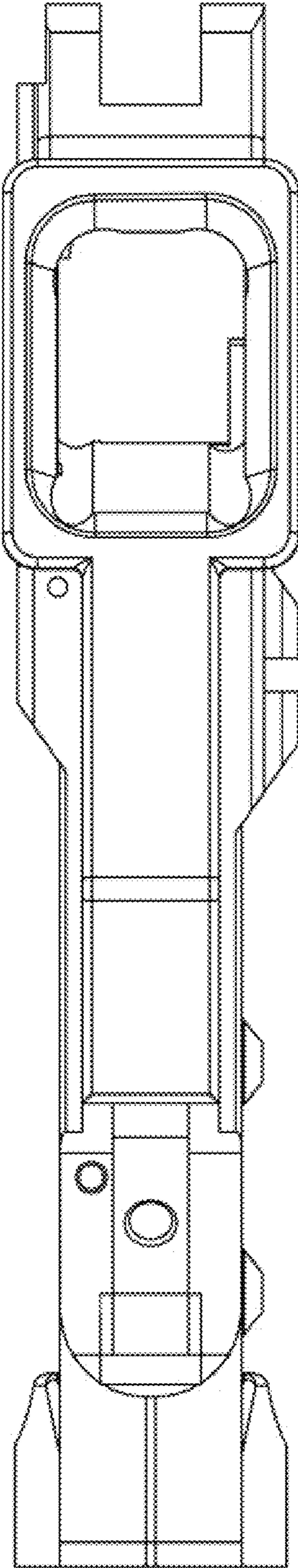
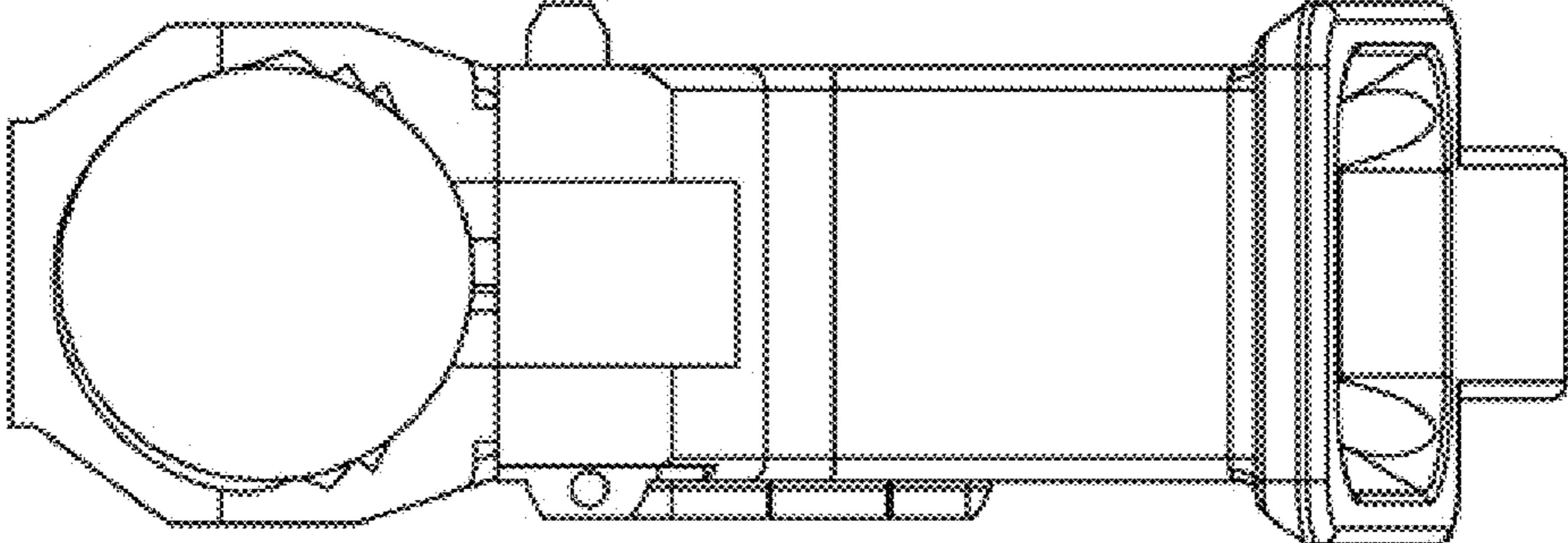


FIG. 6

FIG. 7





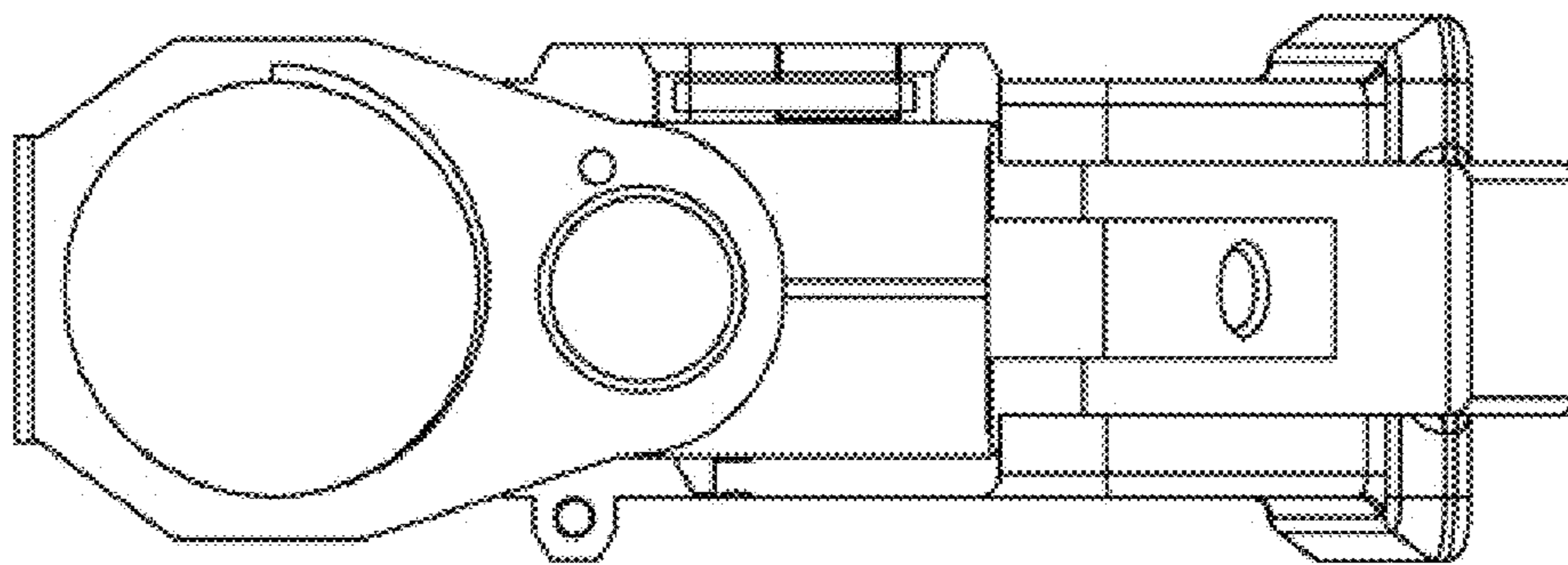


FIG. 8