



US00D782594S

(12) **United States Design Patent**  
**Levesque**

(10) **Patent No.:** **US D782,594 S**  
(45) **Date of Patent:** **\*\* Mar. 28, 2017**

- (54) **GATOR SWIM FINS**
- (71) Applicant: **Joseph Dennis Levesque**, Murrieta, CA (US)
- (72) Inventor: **Joseph Dennis Levesque**, Murrieta, CA (US)
- (\*\*) Term: **14 Years**
- (21) Appl. No.: **29/517,690**
- (22) Filed: **Feb. 16, 2015**

**Related U.S. Application Data**

- (62) Division of application No. 29/463,751, filed on Jun. 5, 2014, now Pat. No. Des. 755,321.
- (51) **LOC (10) Cl.** ..... **21-06**
- (52) **U.S. Cl.**  
USPC ..... **D21/806**
- (58) **Field of Classification Search**  
USPC ... D21/801, 803, 804, 806, 807; 441/55, 56, 441/58, 60, 61

(Continued)

(56) **References Cited**

U.S. PATENT DOCUMENTS

- D266,265 S \* 9/1982 Bowden ..... D21/806
- D277,595 S \* 2/1985 Simpson ..... D21/806

(Continued)

*Primary Examiner* — Zenia Bennett

(74) *Attorney, Agent, or Firm* — Frontier Patent Services;  
Joel C. Solbach

(57) **CLAIM**

The ornamental design for gator swim fins, as shown and described.

**DESCRIPTION**

Embodiment 1

FIG. 1 is a perspective view of my gator swim fins design;  
 FIG. 2 is a front view thereof;  
 FIG. 3 is a rear view thereof;  
 FIG. 4 is a right side view thereof;  
 FIG. 5 is a left side view thereof;

FIG. 6 is a top view thereof;  
 FIG. 7 is a sectional view taken along the center of the top view thereof; and  
 FIG. 8 is a bottom view thereof;  
 Embodiment 2  
 FIG. 9 is a perspective view of my gator swim fins design;  
 FIG. 10 is a front view thereof;  
 FIG. 11 is a rear view thereof;  
 FIG. 12 is a right side view thereof;  
 FIG. 13 is a left side view thereof;  
 FIG. 14 is a top view thereof;  
 FIG. 15 is a sectional view taken along the center of the top view thereof; and  
 FIG. 16 is a bottom view thereof;  
 Embodiment 3  
 FIG. 17 is a perspective view of my gator swim fins design;  
 FIG. 18 is a front view thereof;  
 FIG. 19 is a rear view thereof;  
 FIG. 20 is a right side view thereof;  
 FIG. 21 is a left side view thereof;  
 FIG. 22 is a top view thereof;  
 FIG. 23 is a sectional view taken along the center of the top view thereof; and  
 FIG. 24 is a bottom view thereof;  
 Embodiment 4  
 FIG. 25 is a perspective view of my gator swim fins design;  
 FIG. 26 is a front view thereof;  
 FIG. 27 is a rear view thereof;  
 FIG. 28 is a right side view thereof;  
 FIG. 29 is a left side view thereof;  
 FIG. 30 is a top view thereof;  
 FIG. 31 is a sectional view taken along the center of the top view thereof; and  
 FIG. 32 is a bottom view thereof;  
 Embodiment 5  
 FIG. 33 is a perspective view of my gator swim fins design;  
 FIG. 34 is a front view thereof;  
 FIG. 35 is a rear view thereof;  
 FIG. 36 is a right side view thereof;  
 FIG. 37 is a left side view thereof;  
 FIG. 38 is a top view thereof;  
 FIG. 39 is a sectional view taken along the center of the top view thereof; and  
 FIG. 40 is a bottom view thereof;  
 Embodiment 6  
 FIG. 41 is a perspective view of my gator swim fins design;  
 FIG. 42 is a front view thereof;

(Continued)

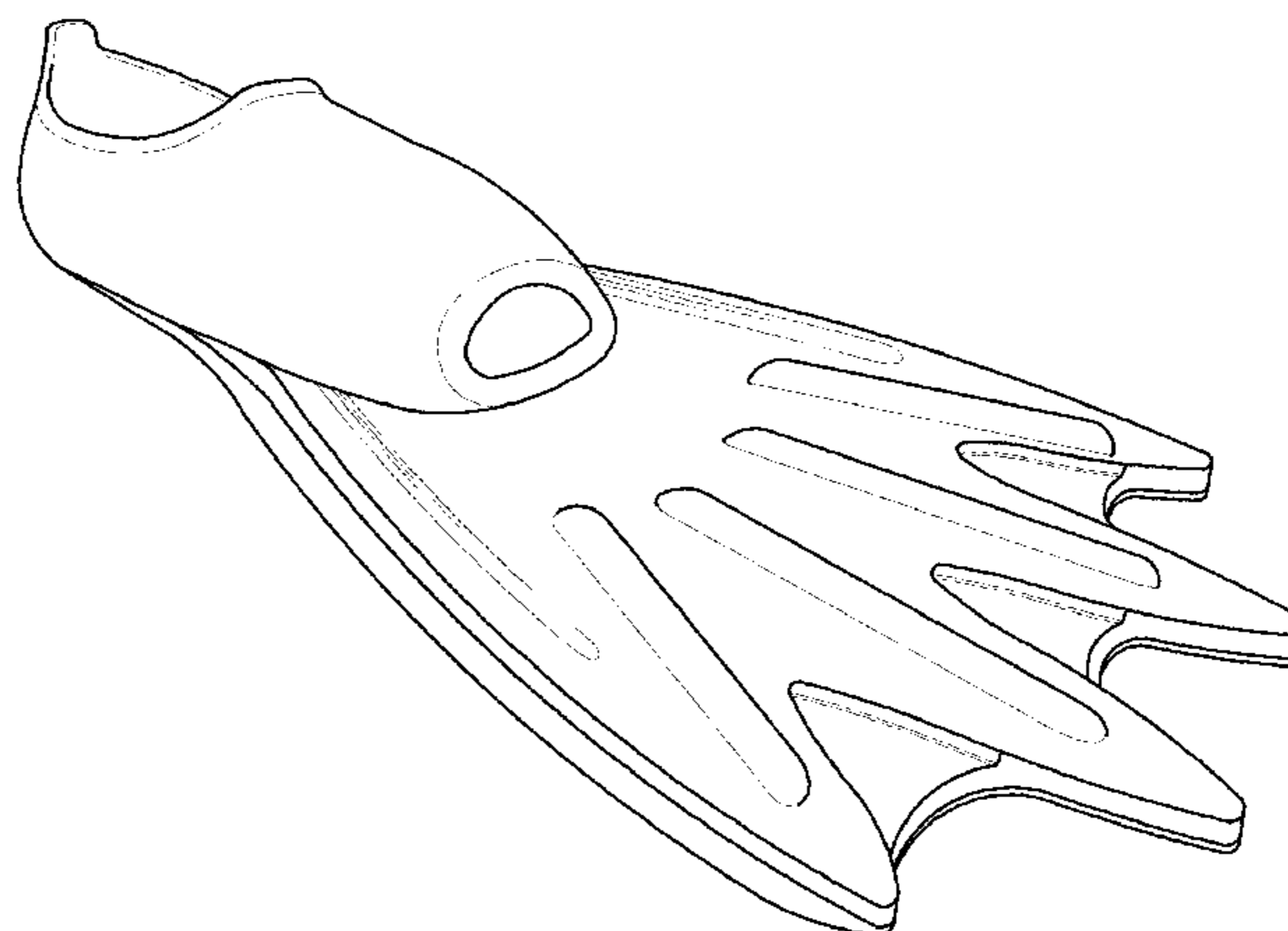


FIG. 43 is a rear view thereof;  
FIG. 44 is a right side view thereof;  
FIG. 45 is a left side view thereof;  
FIG. 46 is a top view thereof;  
FIG. 47 is a sectional view taken along the center of the top view thereof; and,  
FIG. 48 is a bottom view thereof.  
The embodiments show the article for a left foot gator swim fins. The design also includes the article for the right foot which is not shown but is a mirror image of the article shown.

**1 Claim, 30 Drawing Sheets**

**(58) Field of Classification Search**

CPC ..... A63B 31/10; A63B 31/11  
See application file for complete search history.

**(56) References Cited**

U.S. PATENT DOCUMENTS

D286,668 S *	11/1986	Berenson .....	D21/806
4,752,259 A *	6/1988	Tackett .....	A63B 31/11
			441/64
D302,999 S *	8/1989	McCredie .....	D21/806
D313,640 S *	1/1991	Fujiwara .....	D21/806
D328,325 S *	7/1992	Mitchell .....	D21/806
D349,552 S *	8/1994	Fleming .....	D21/806
D363,105 S *	10/1995	Parr .....	D21/806

\* cited by examiner

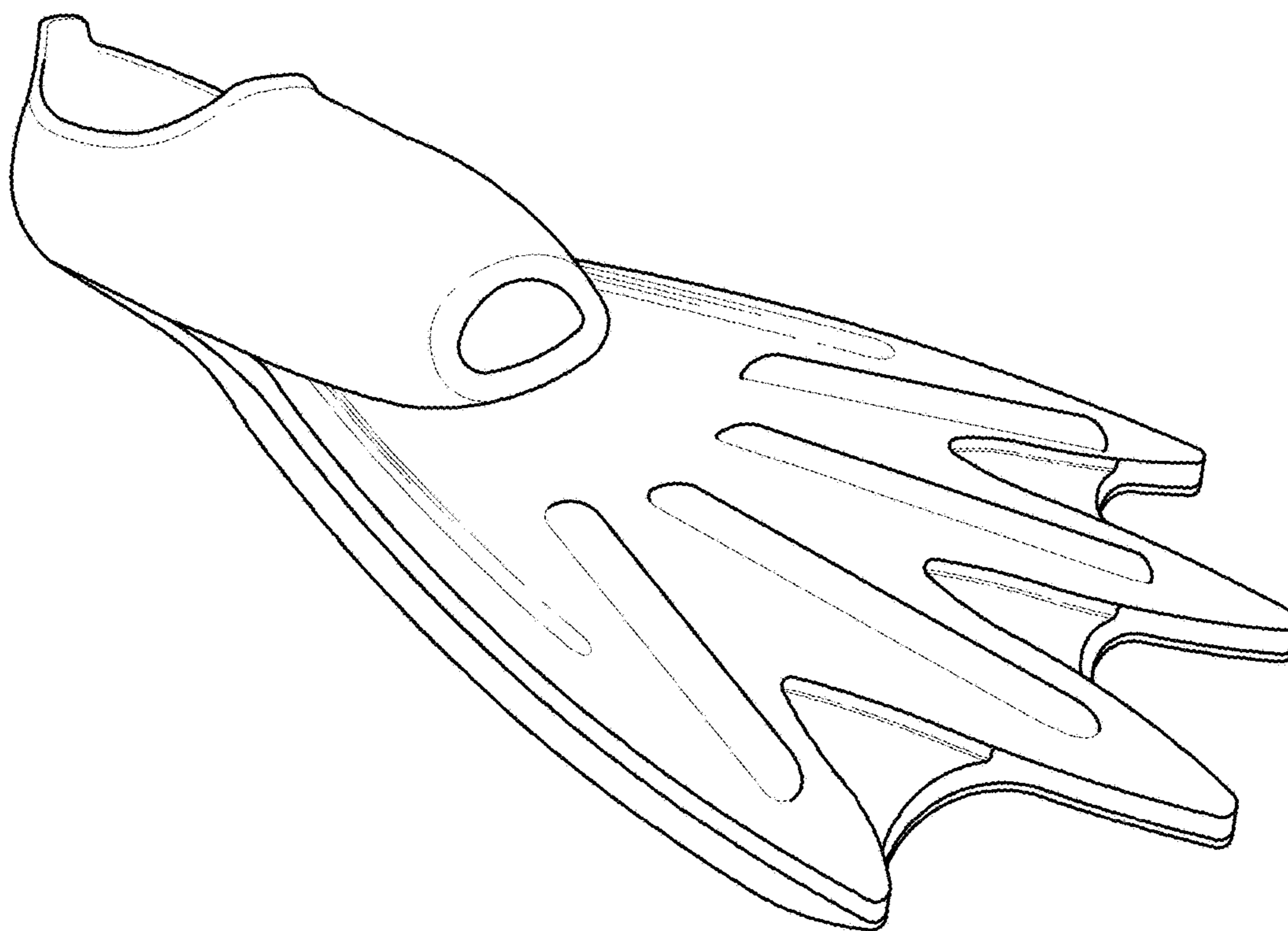


FIG. 1

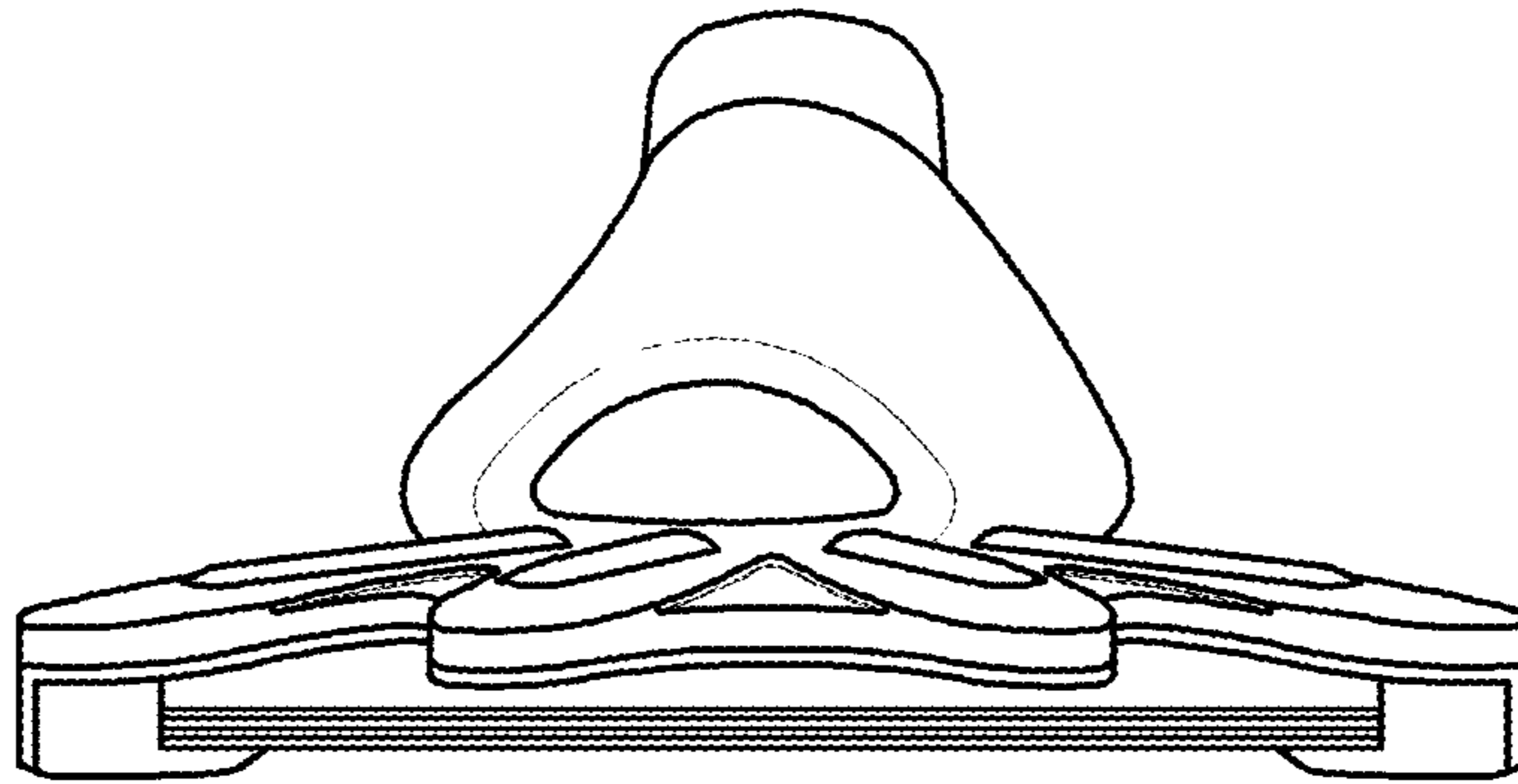


FIG. 2

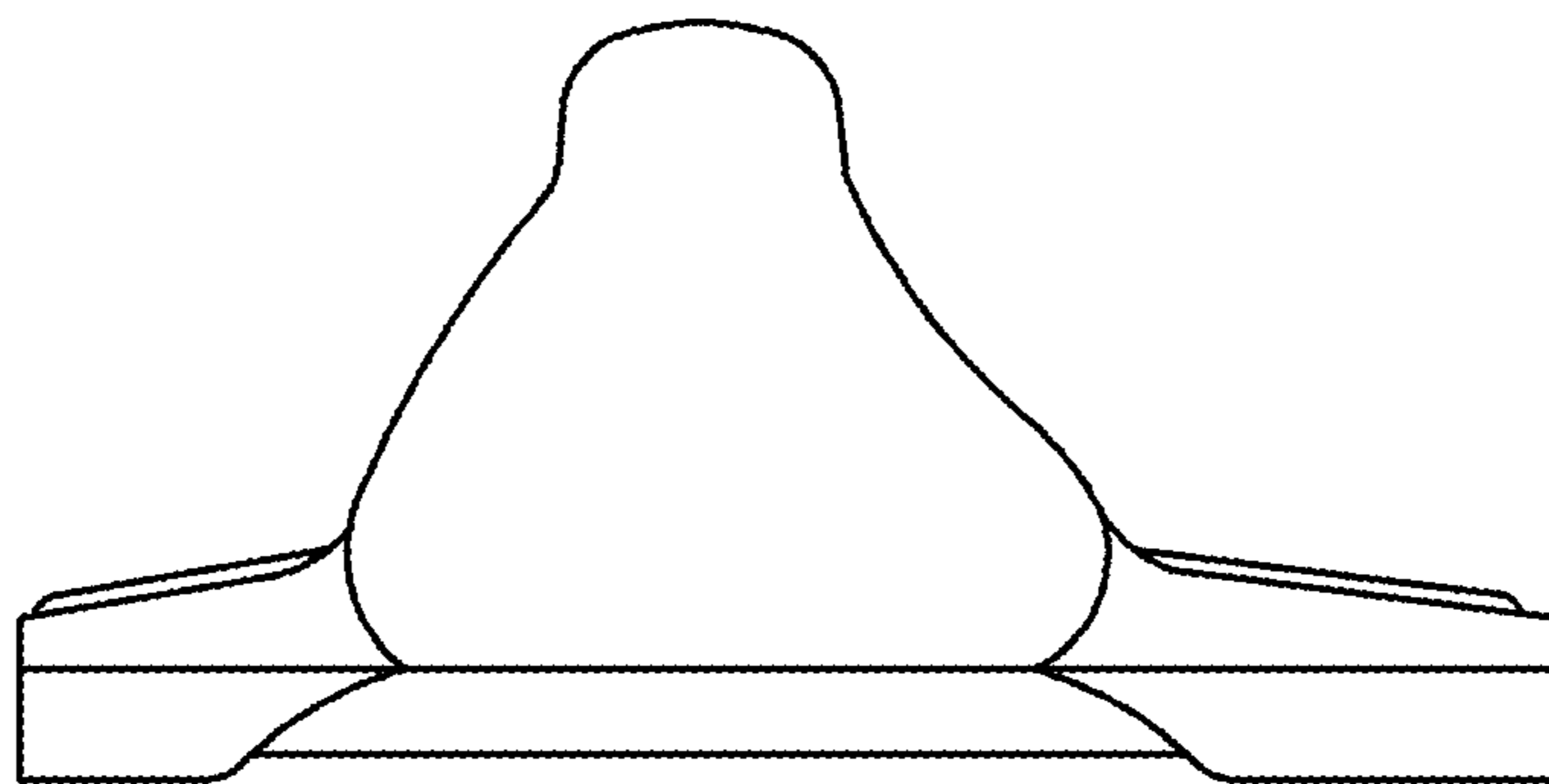


FIG. 3

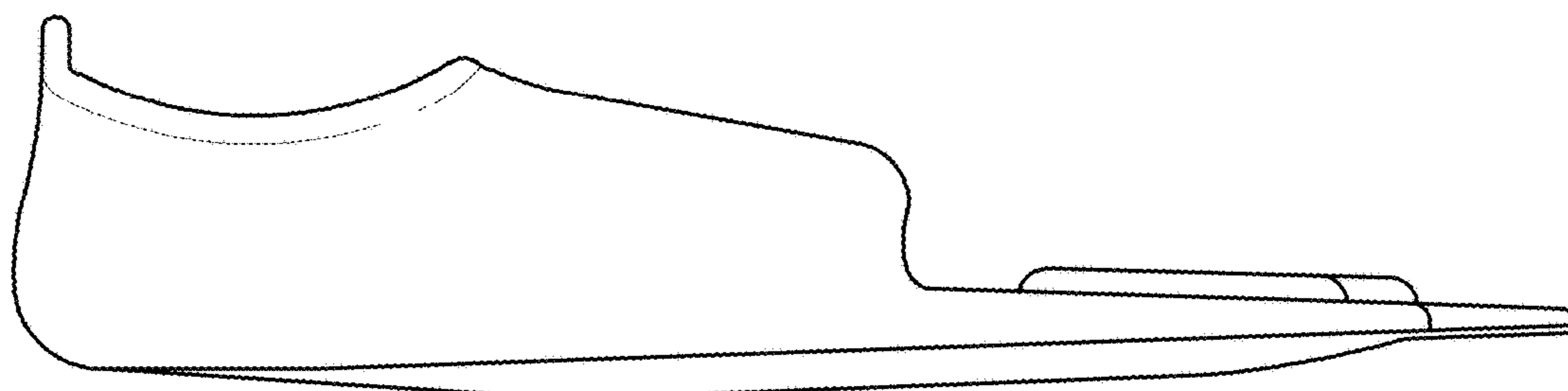


FIG. 4

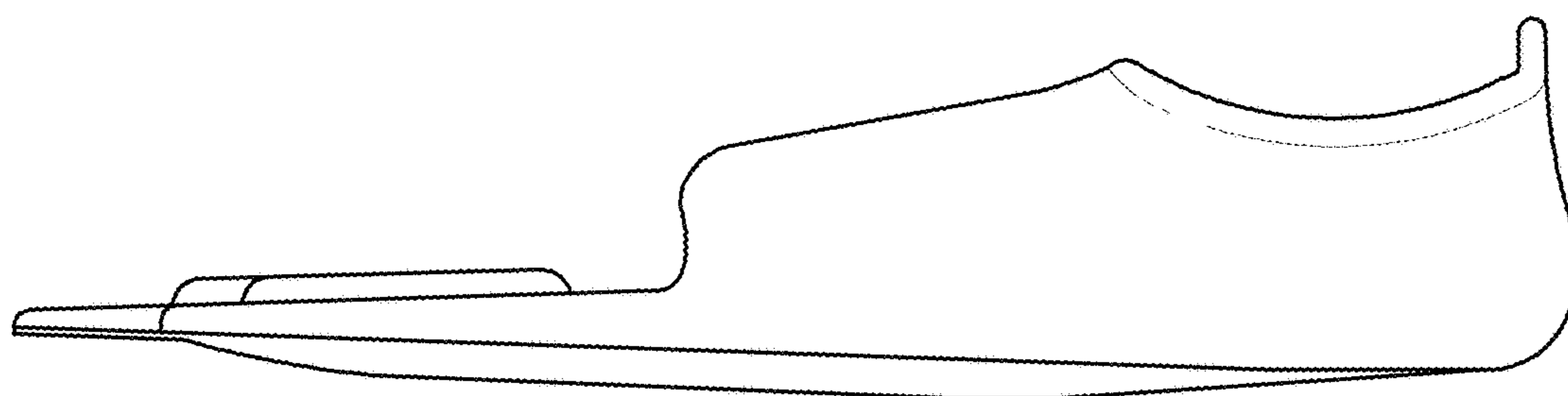


FIG. 5



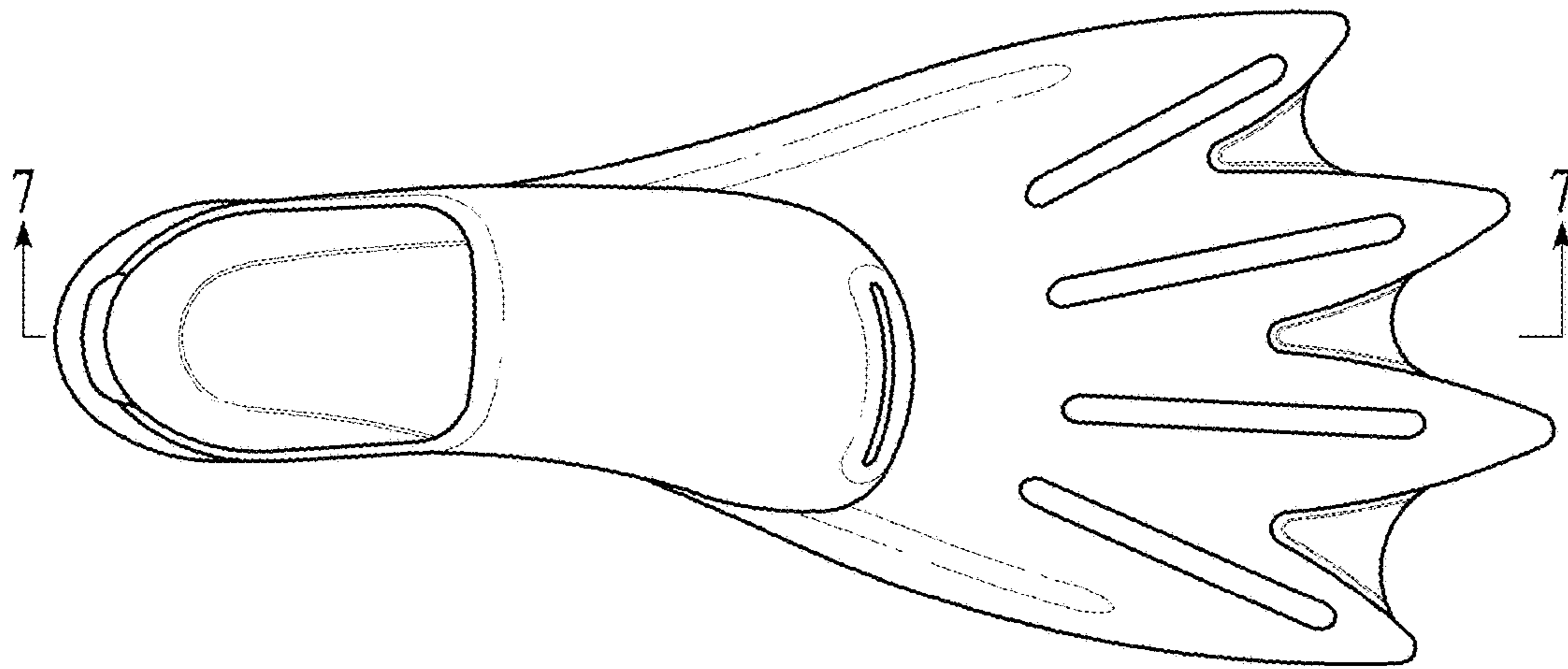


FIG. 6

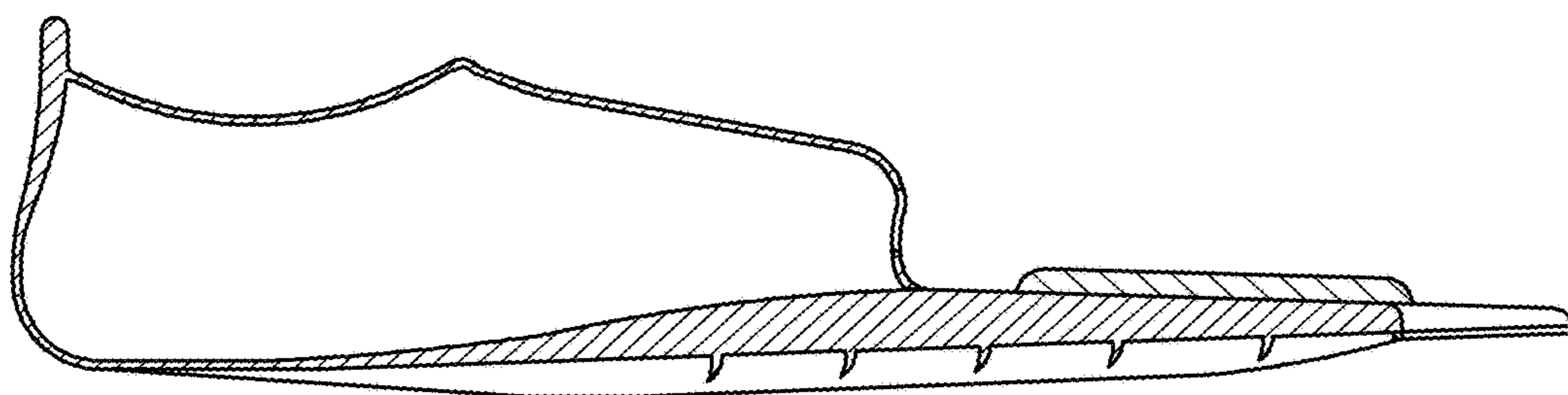


FIG. 7

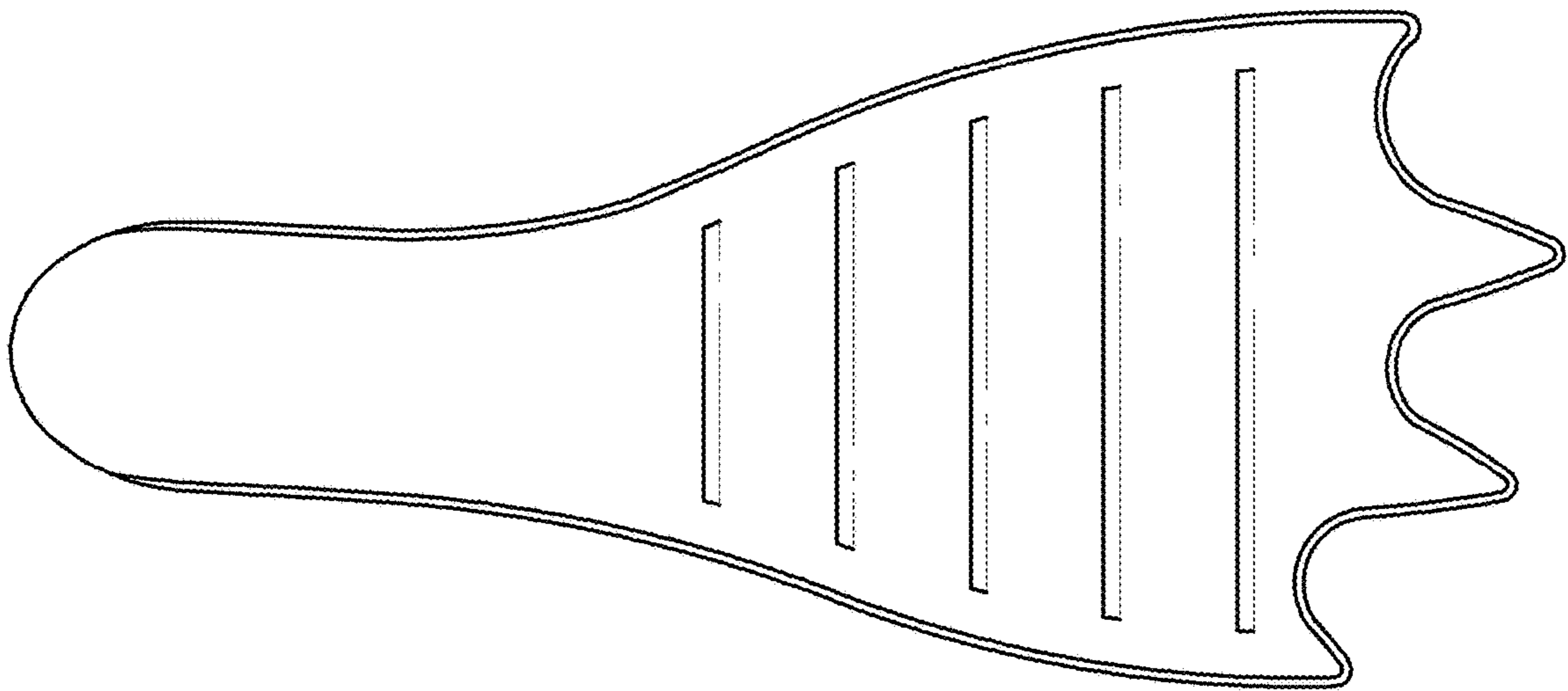


FIG. 8

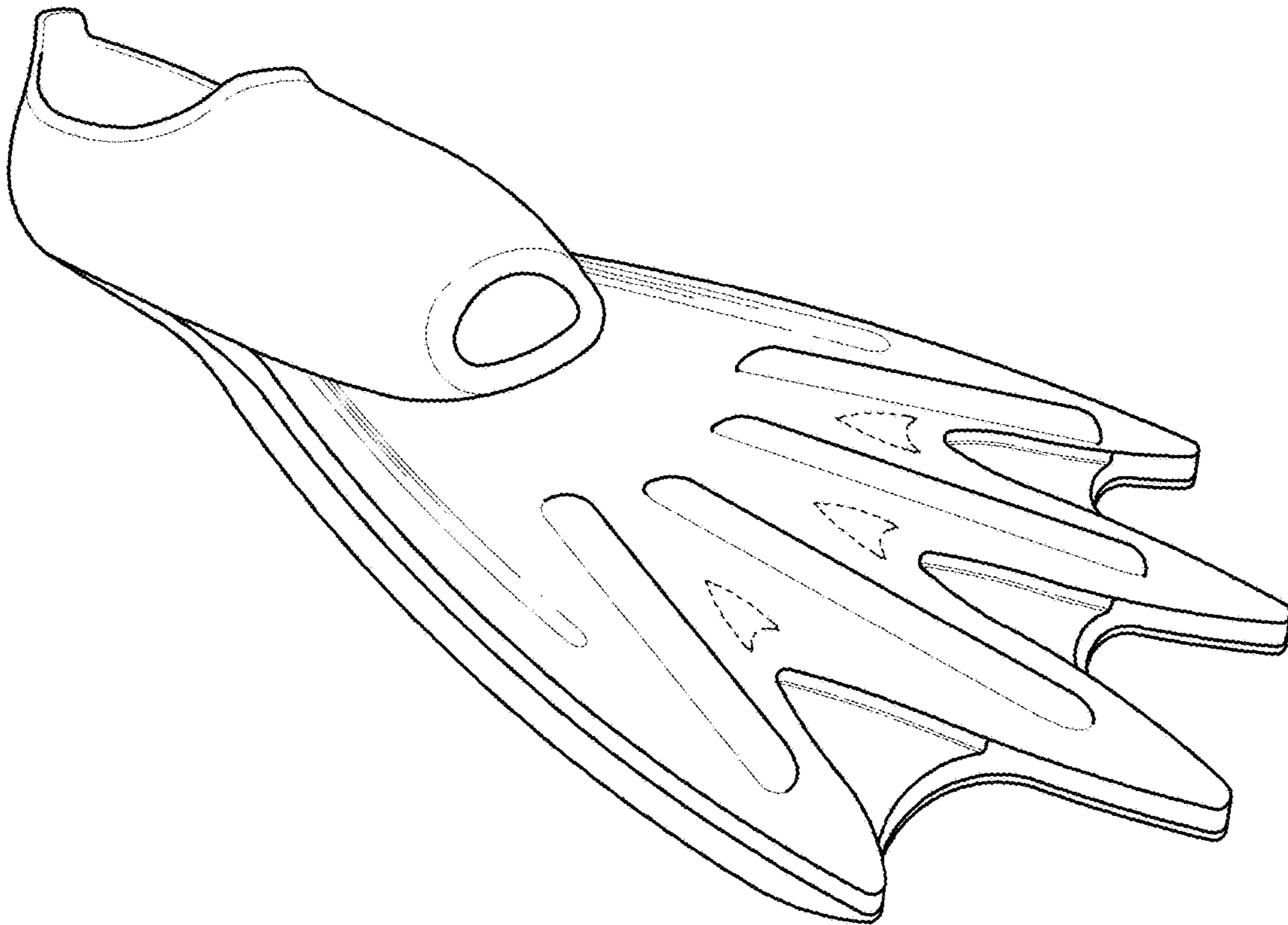


FIG. 9



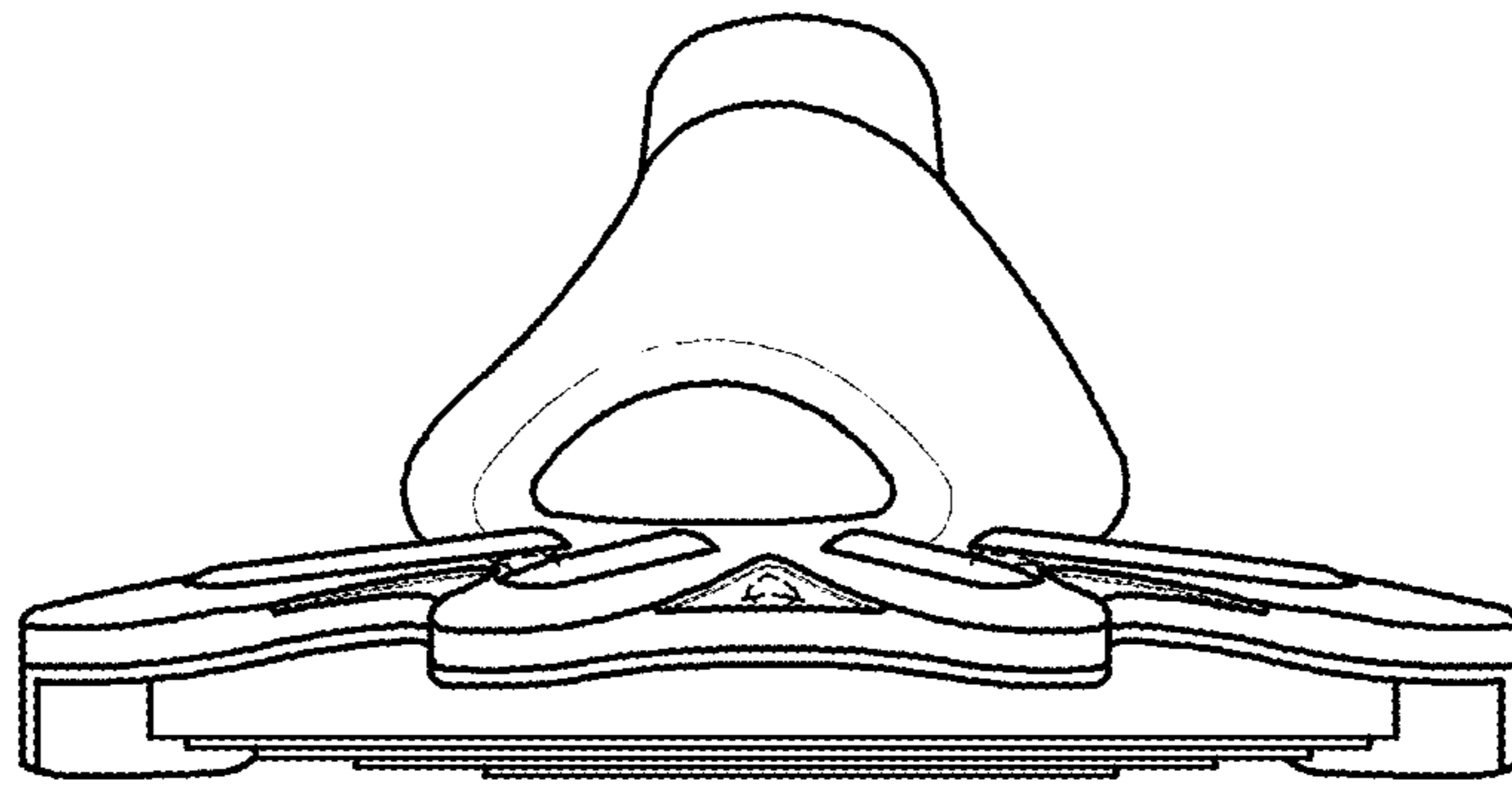


FIG. 10

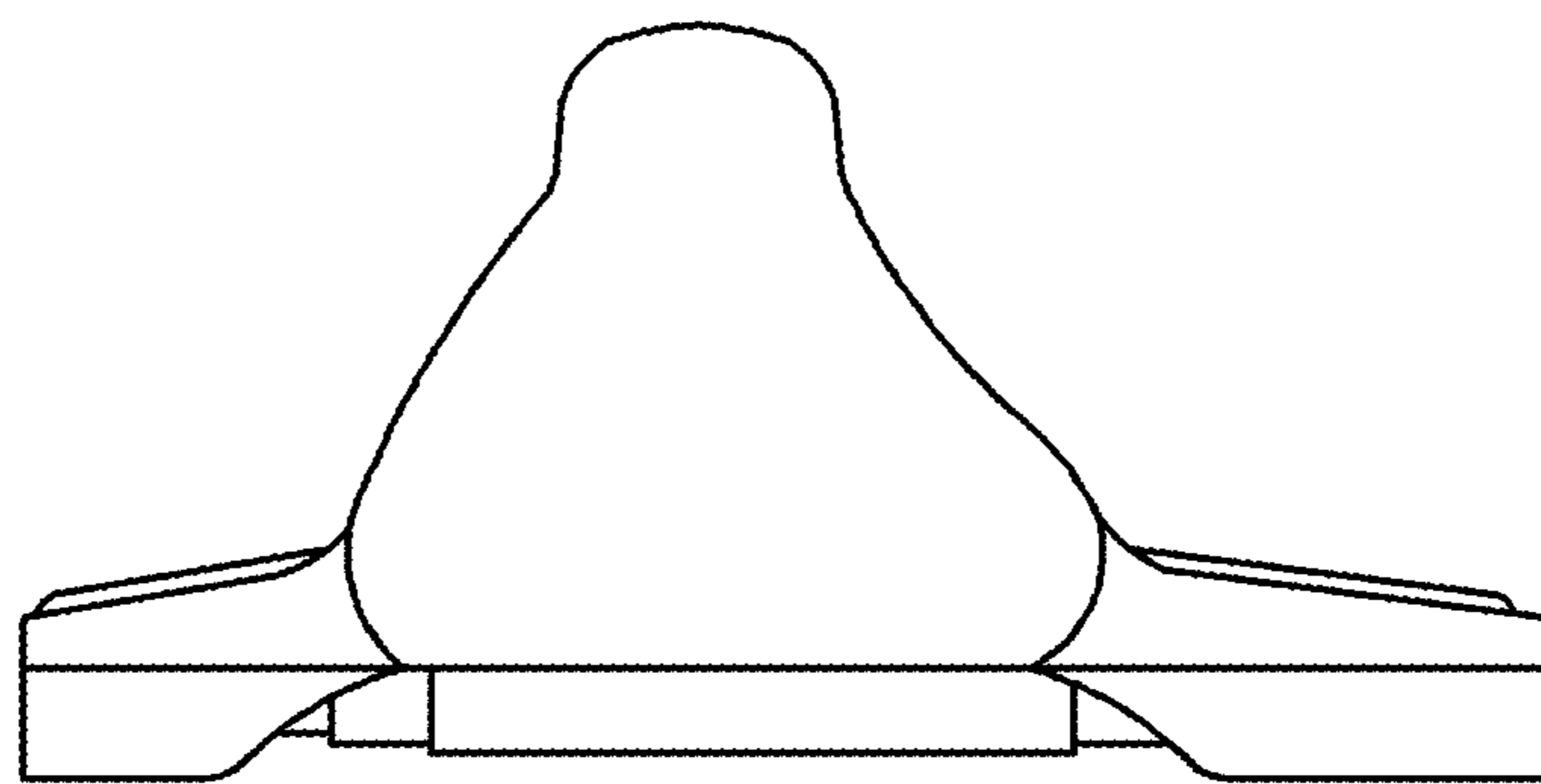


FIG. 11

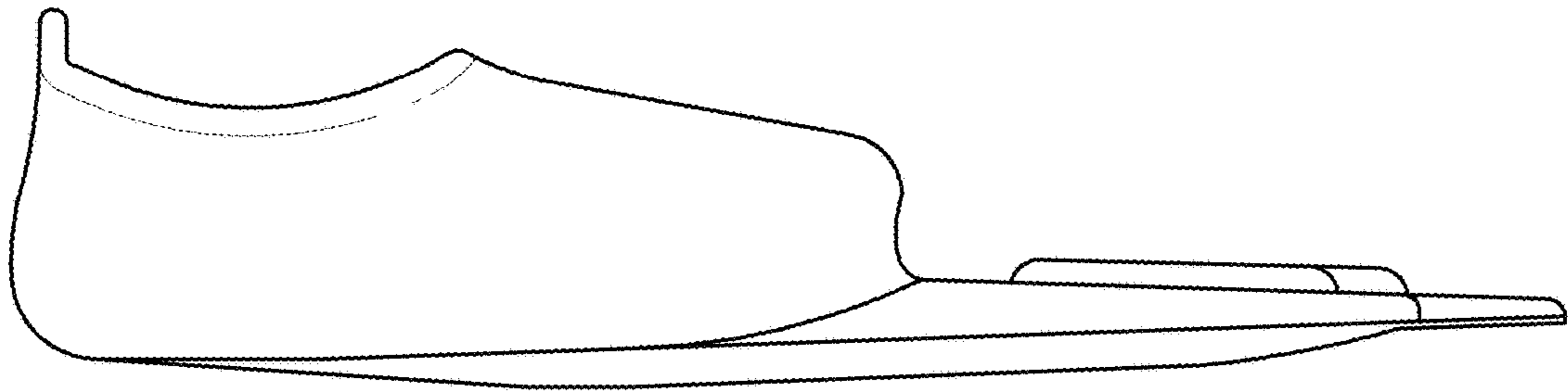


FIG. 12

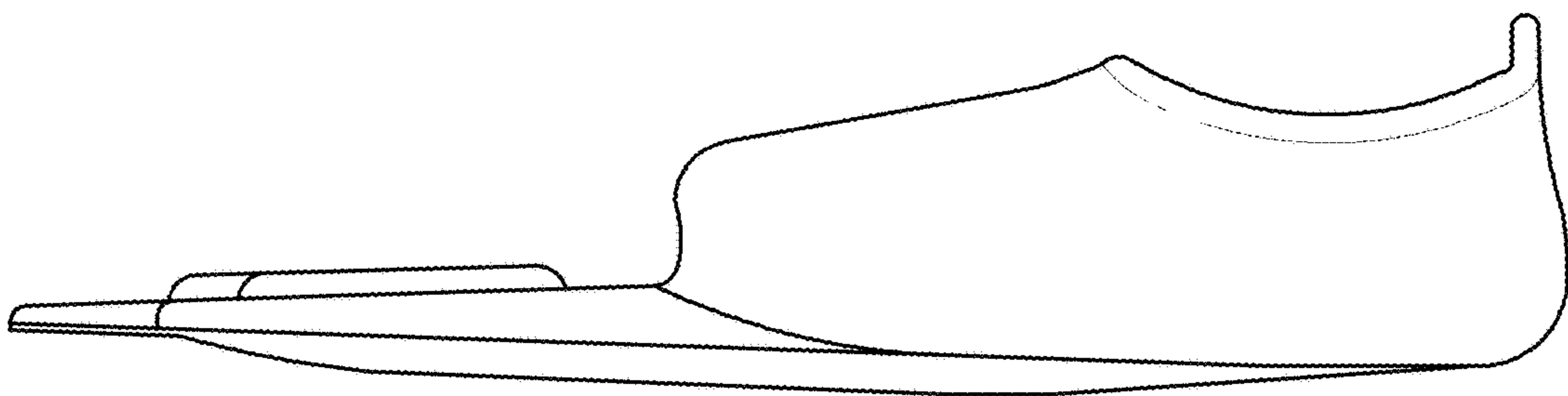


FIG. 13

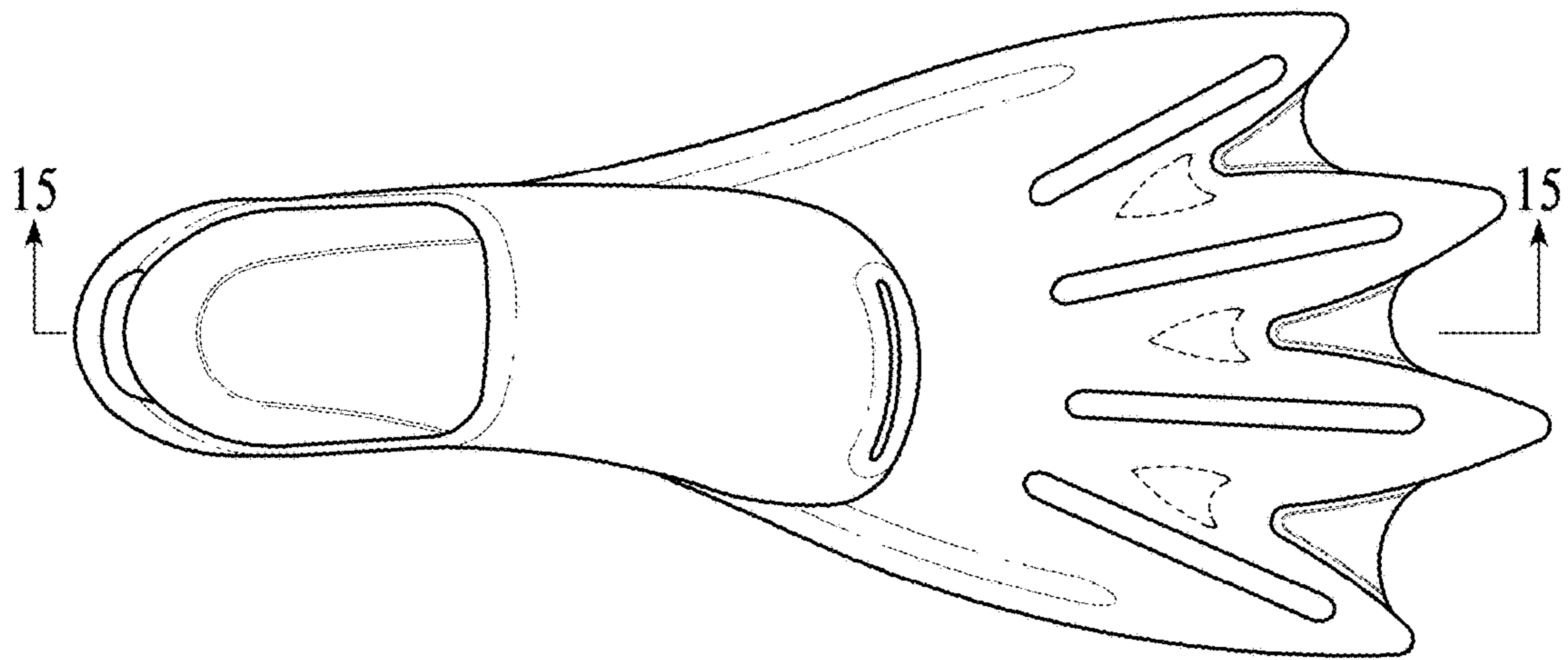


FIG. 14

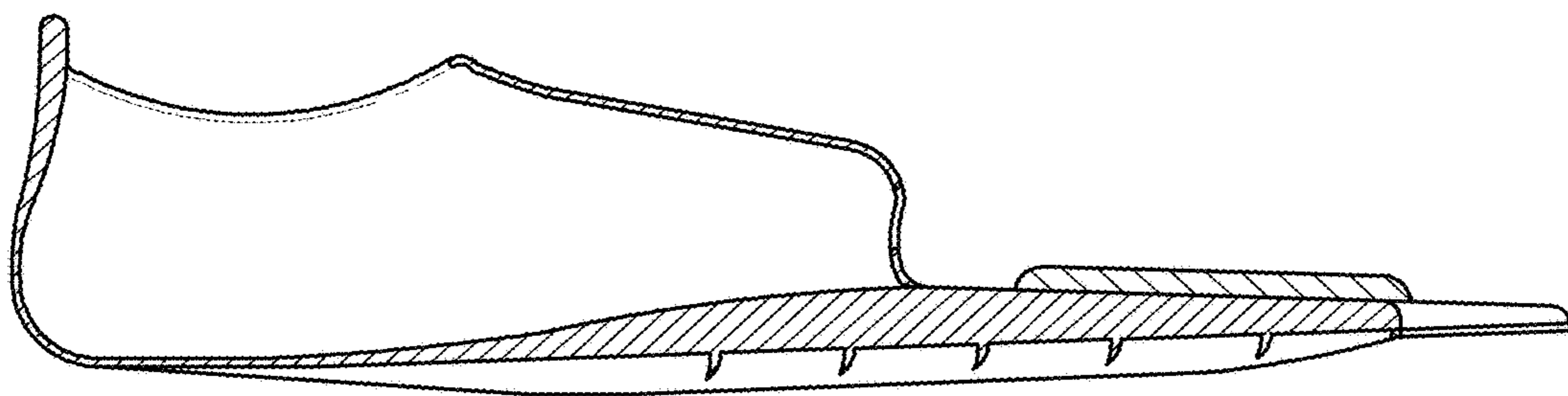


FIG. 15

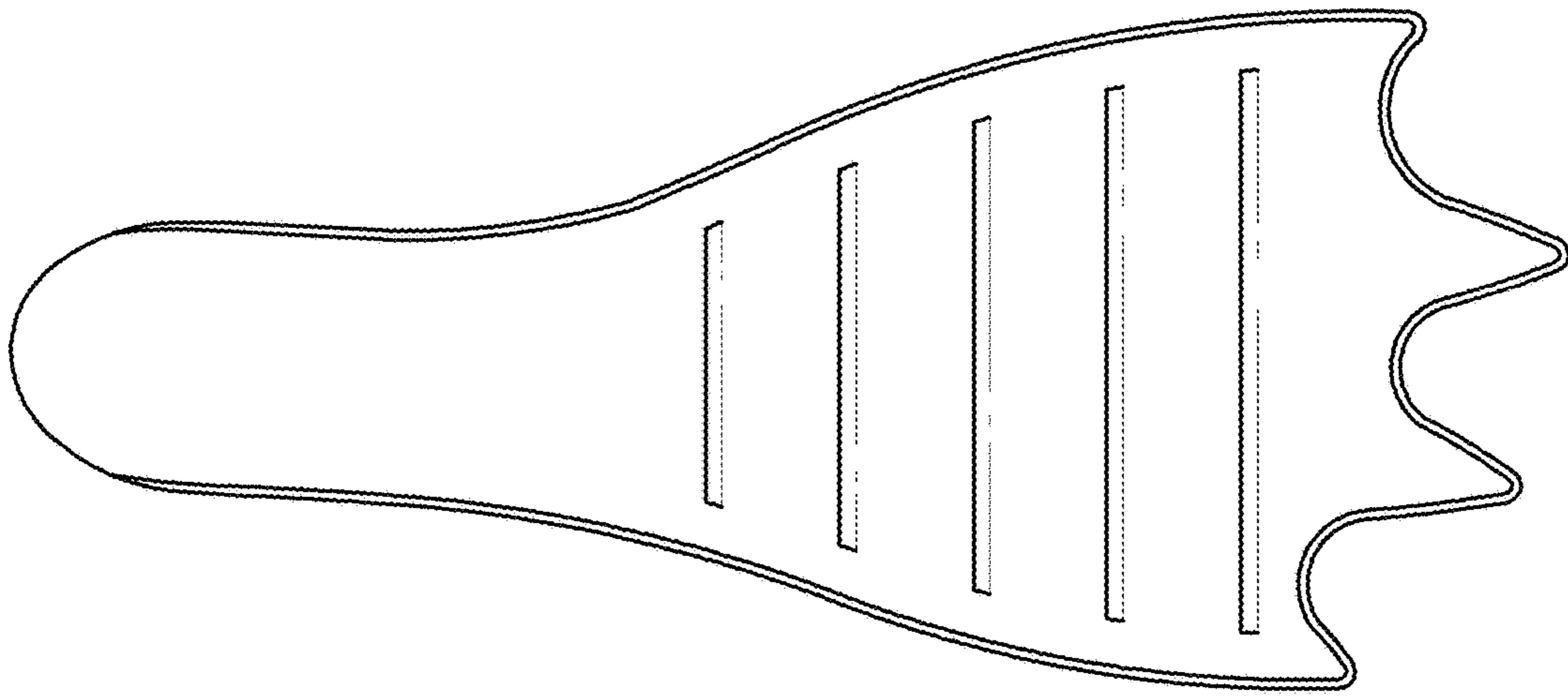


FIG. 16

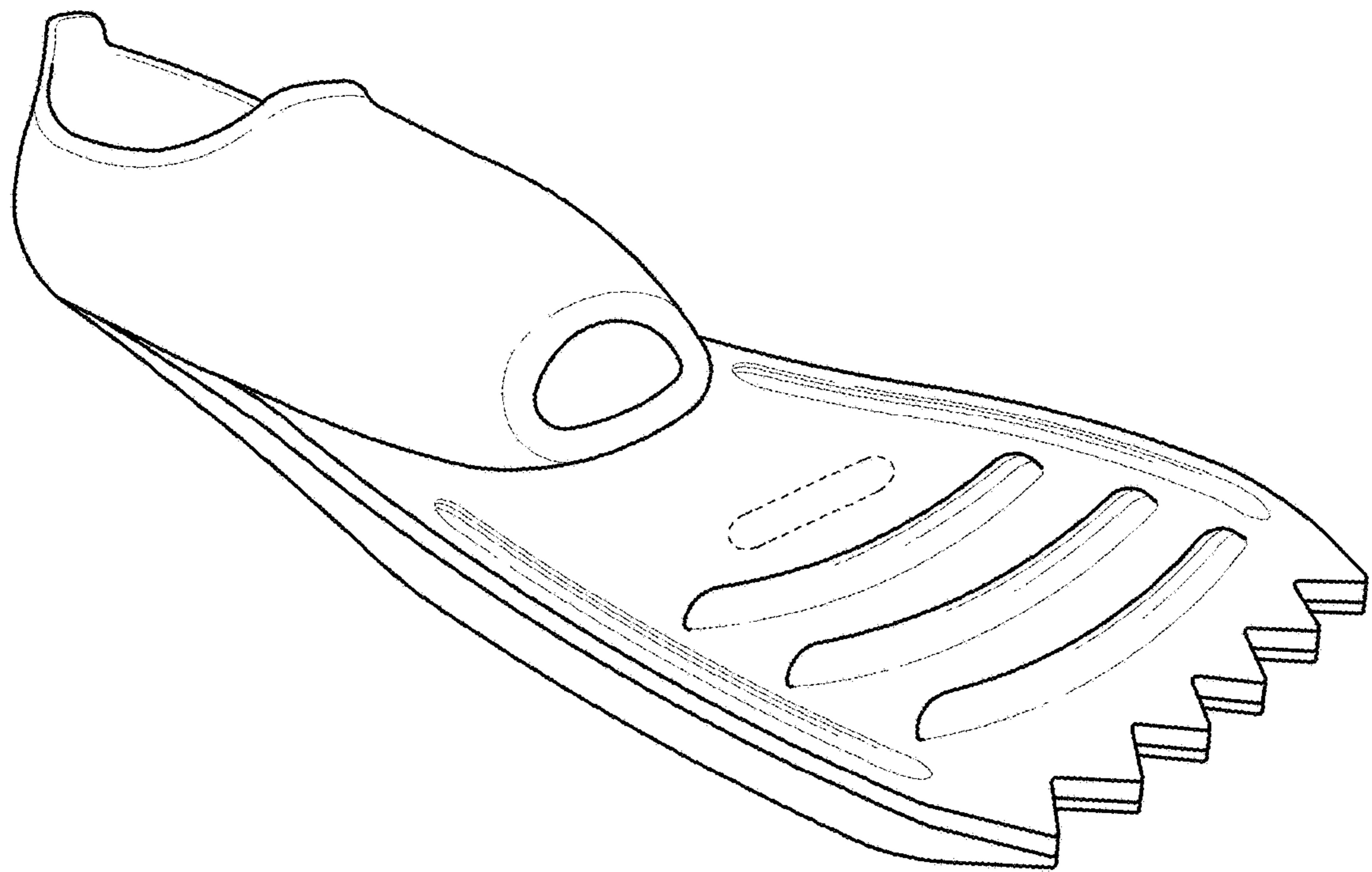


FIG. 17

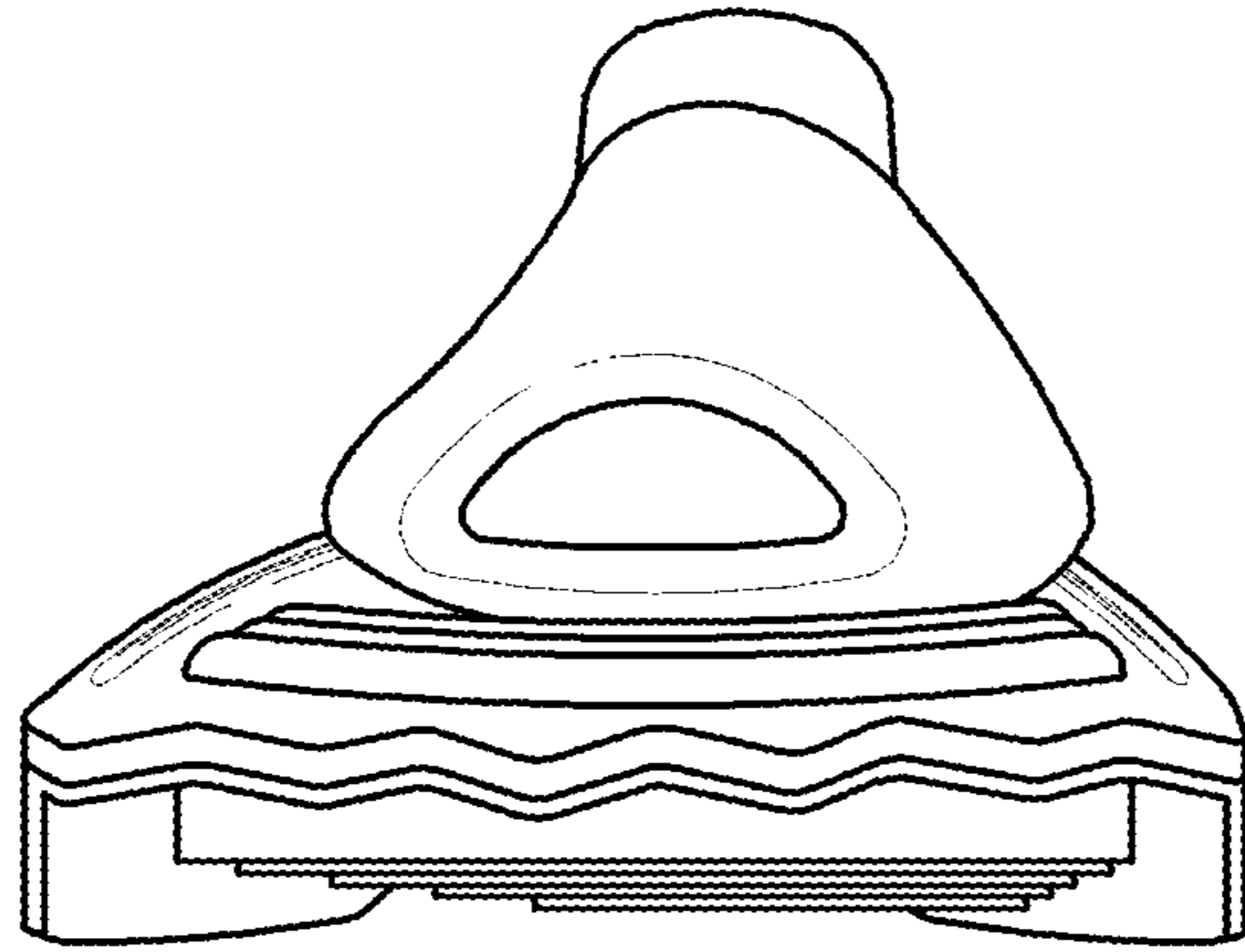


FIG. 18

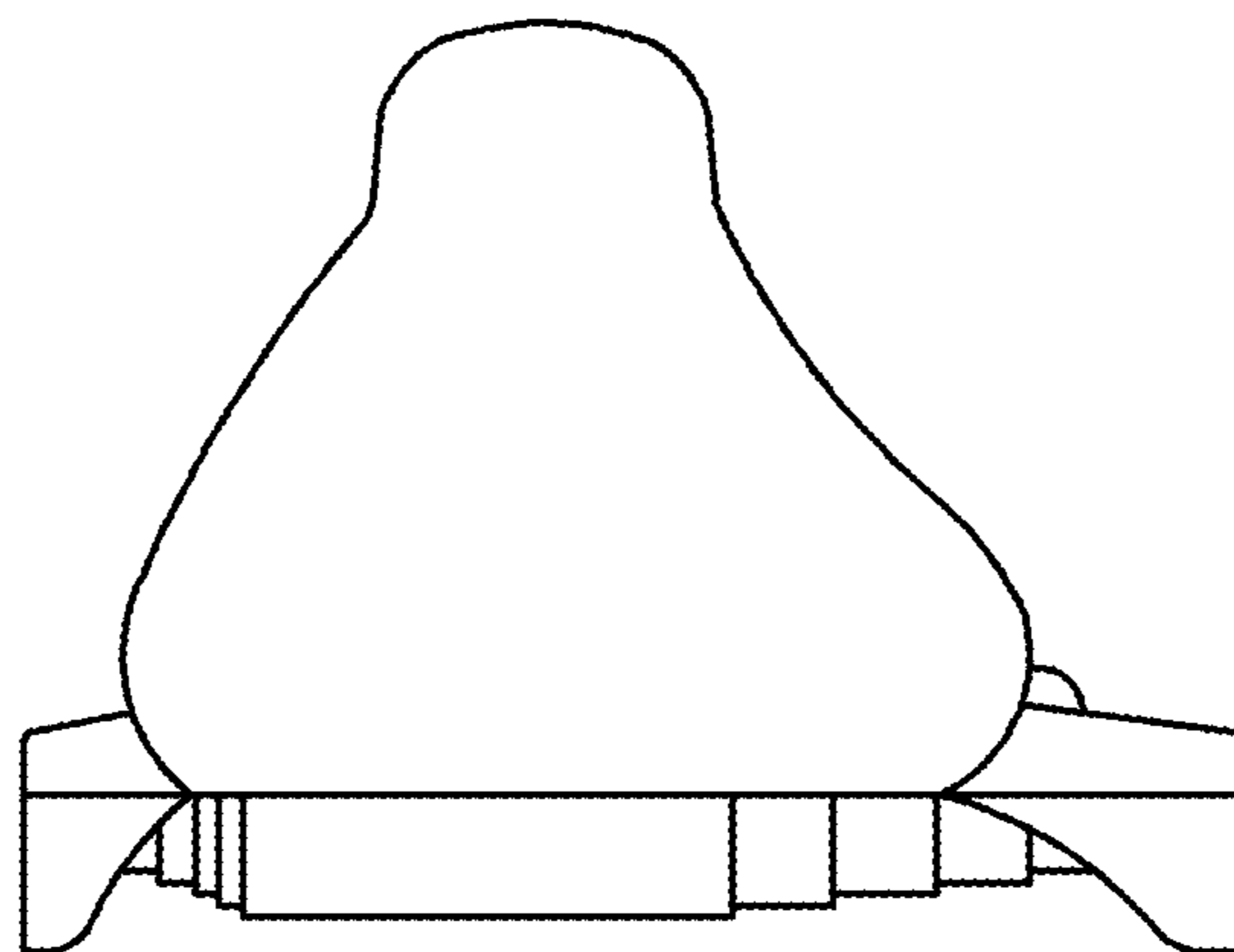


FIG. 19



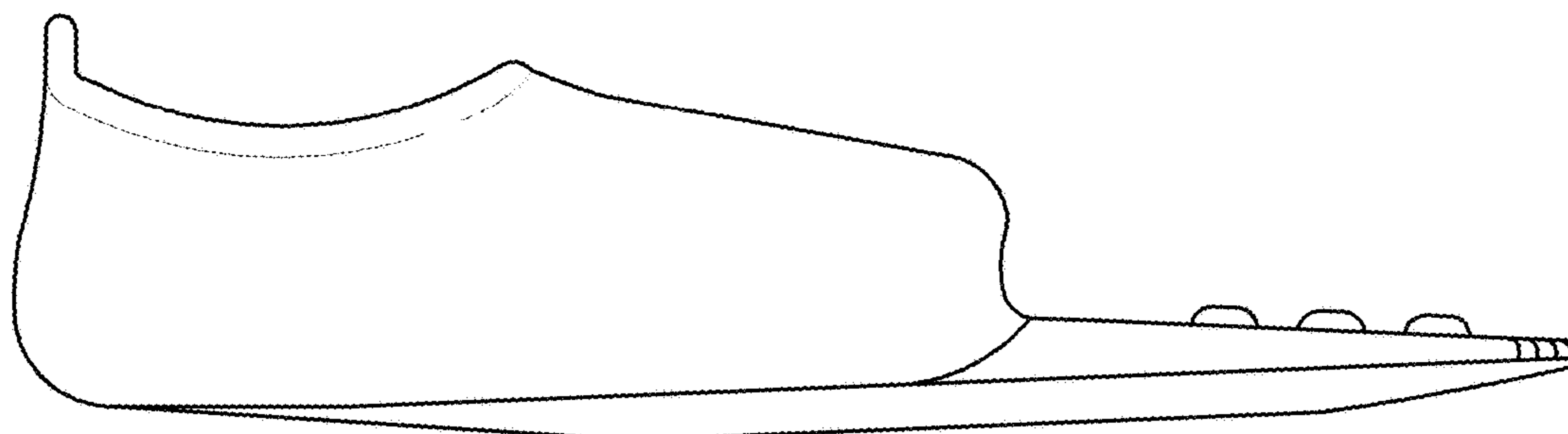


FIG. 20

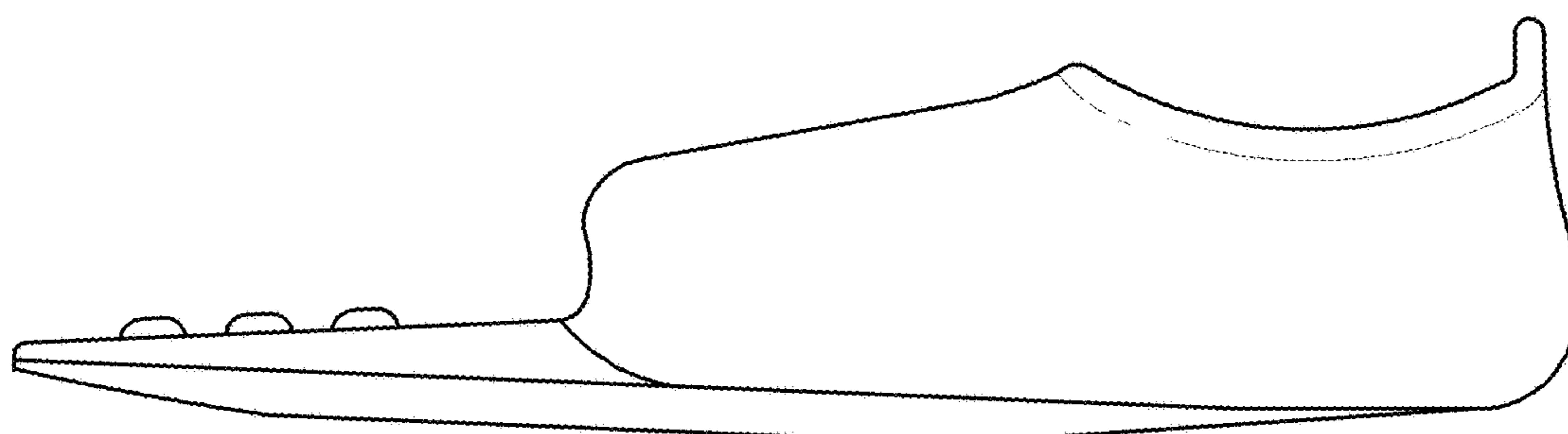


FIG. 21

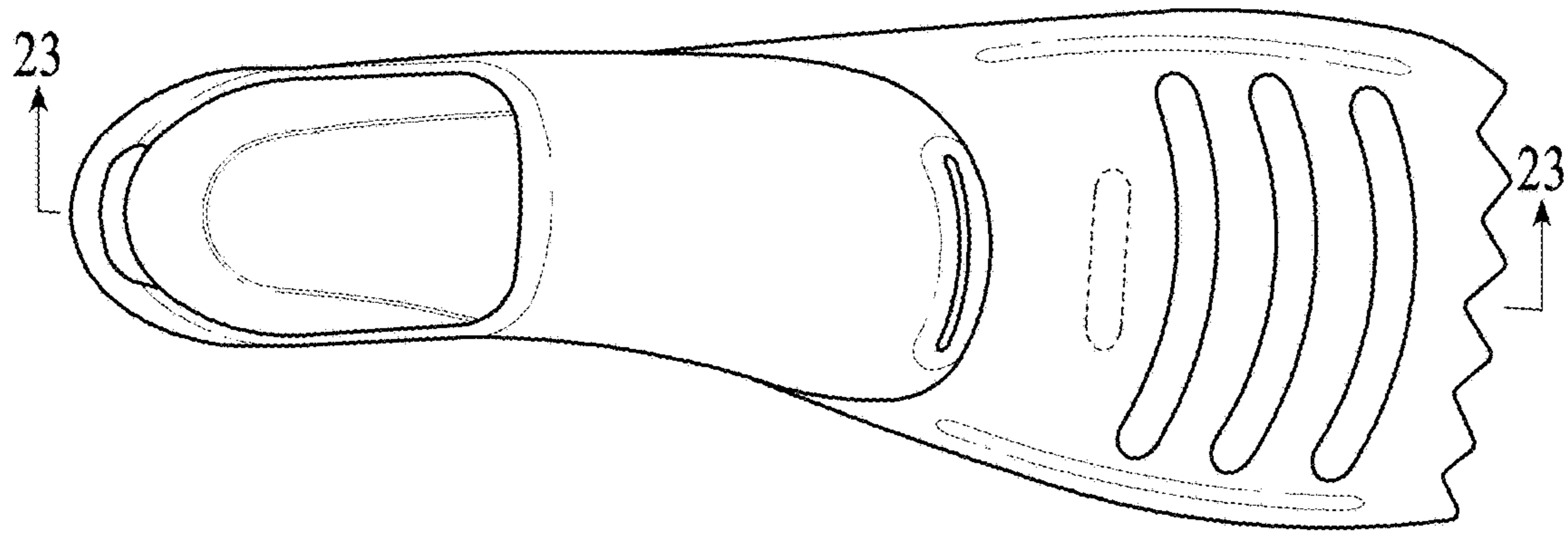


FIG. 22

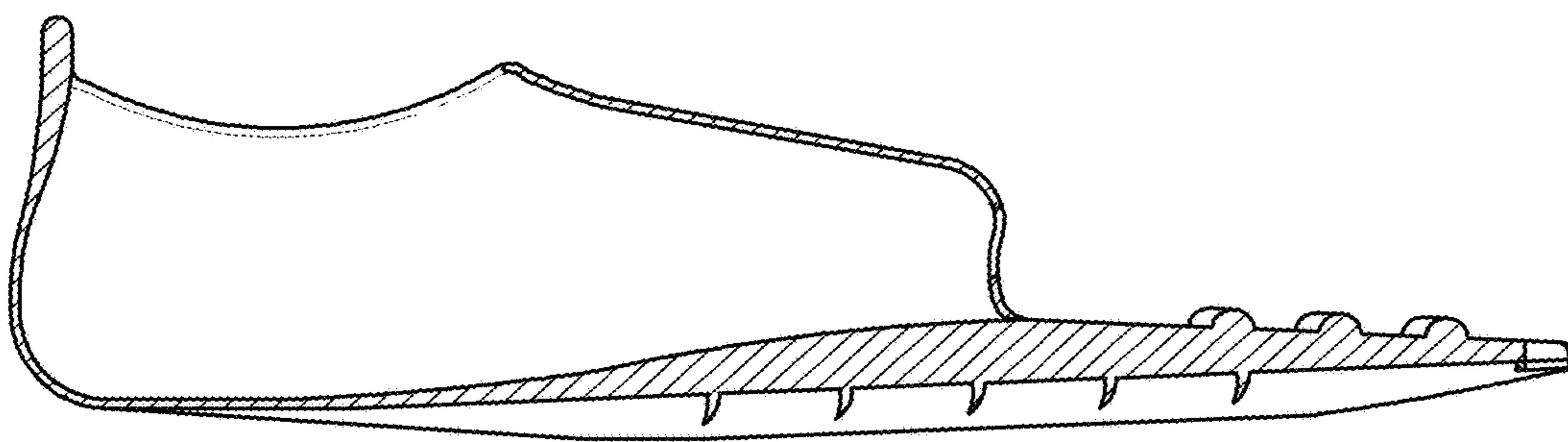


FIG. 23

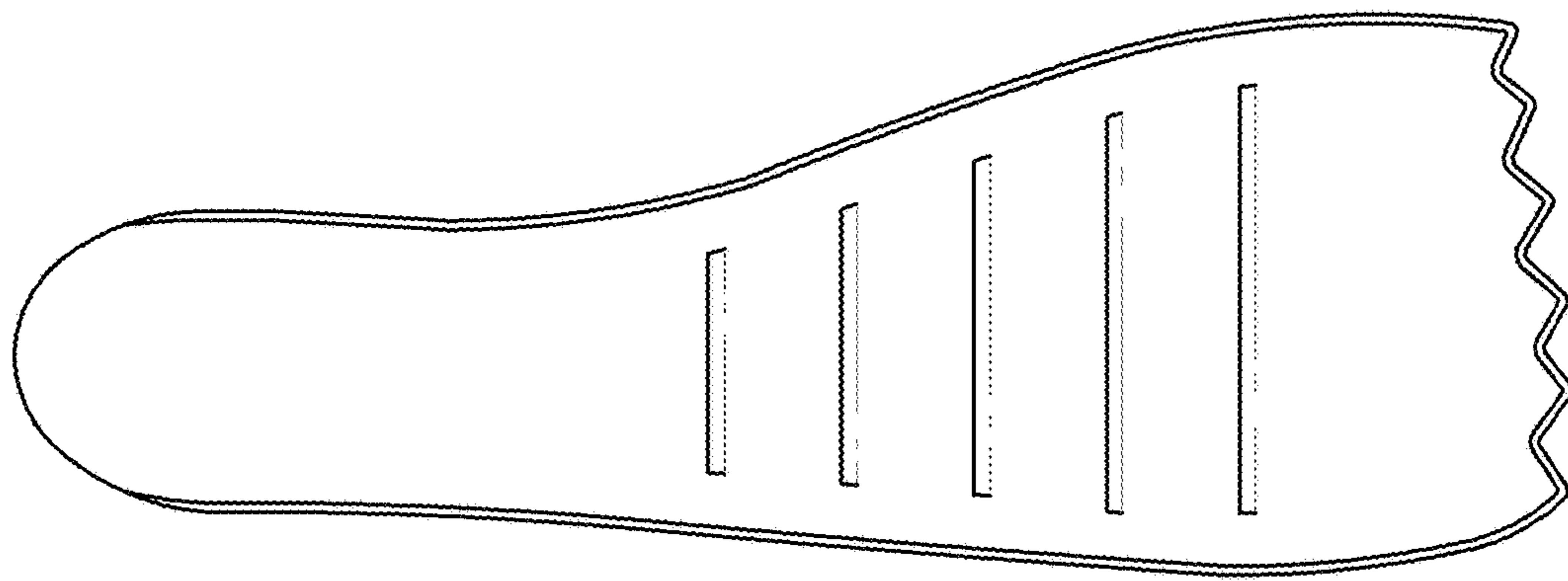


FIG. 24

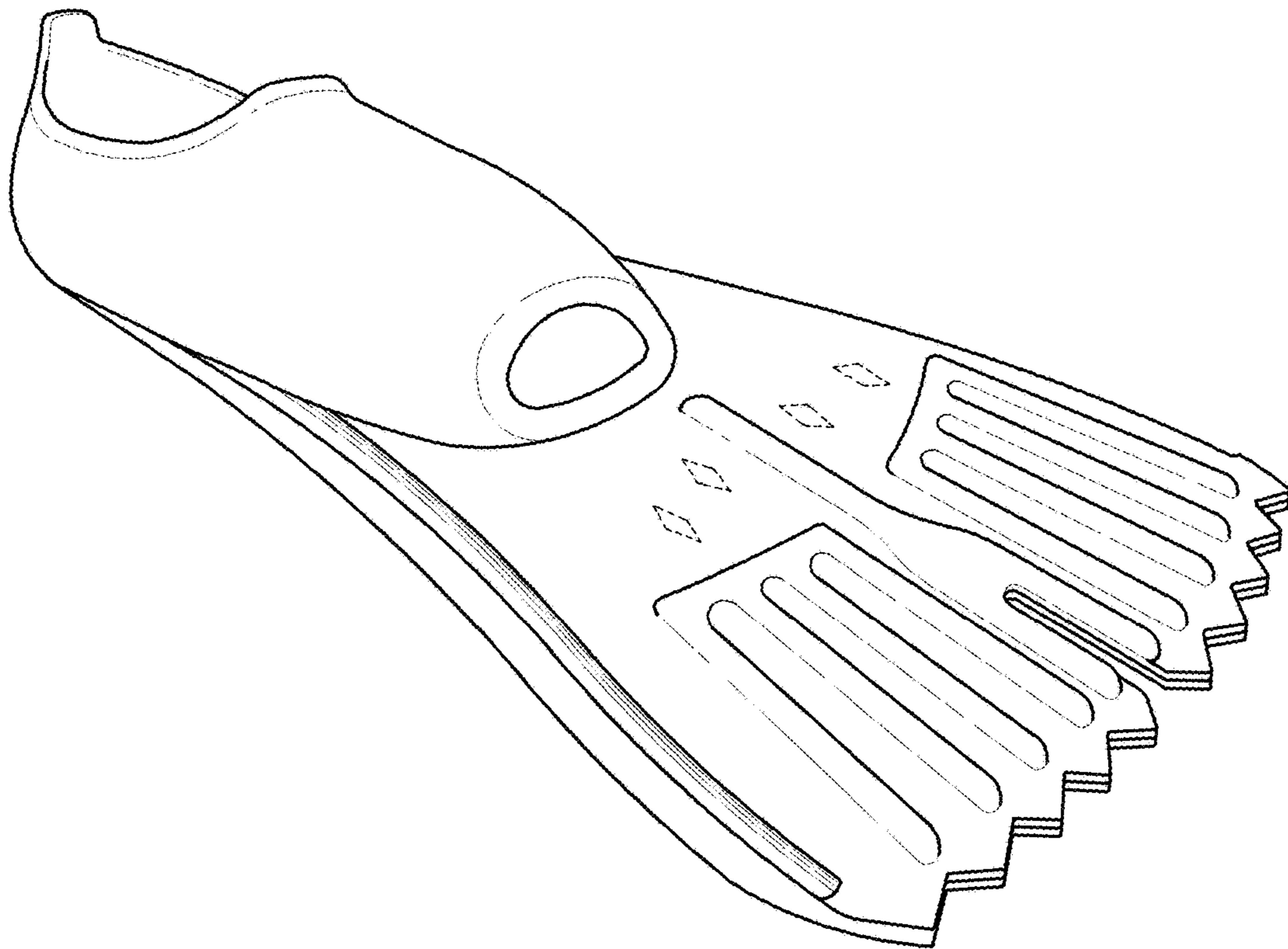


FIG. 25

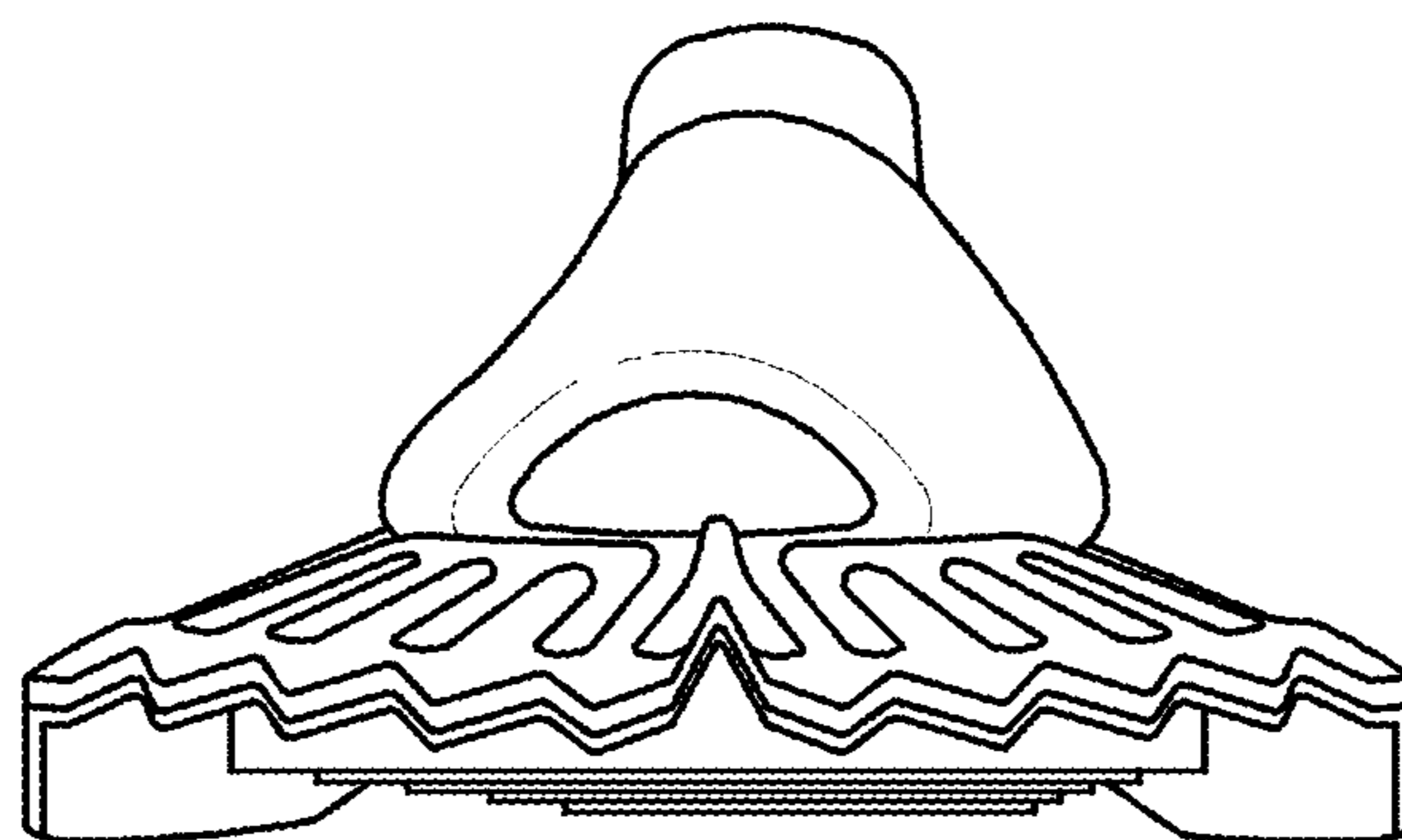


FIG. 26

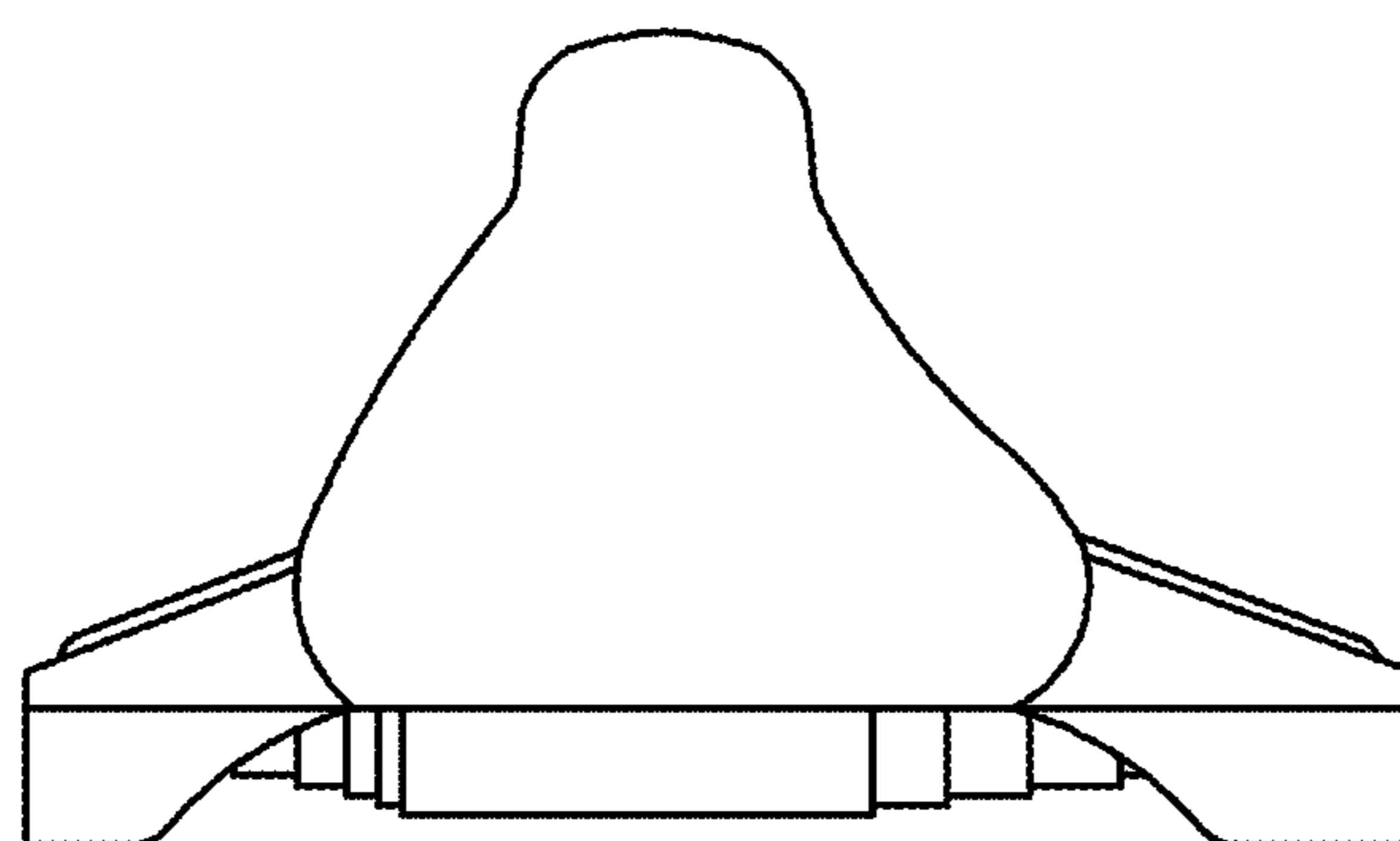


FIG. 27

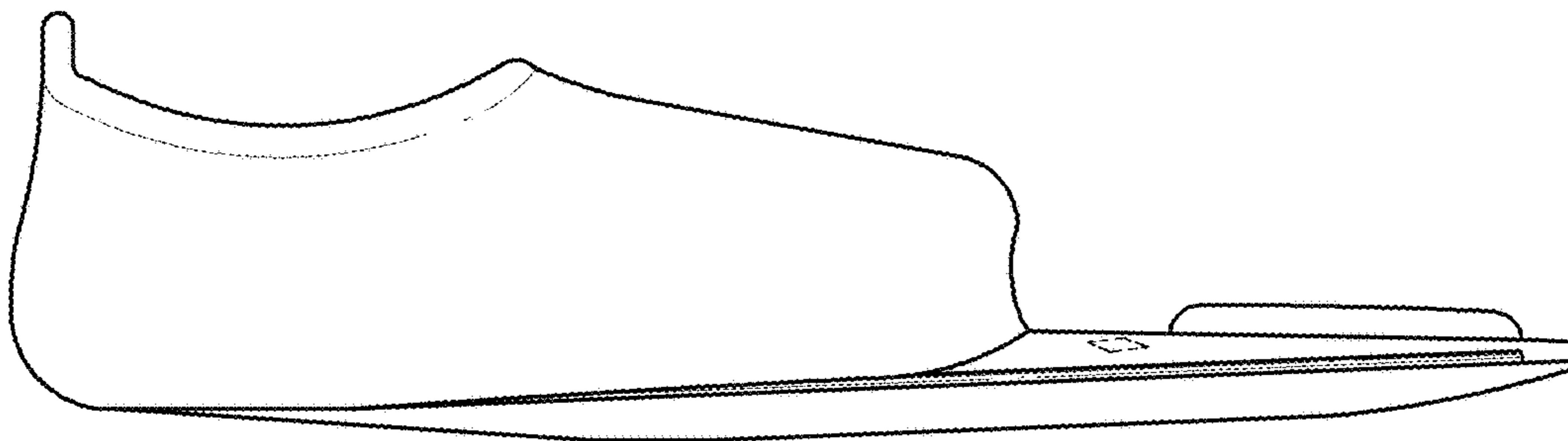


FIG. 28



FIG. 29



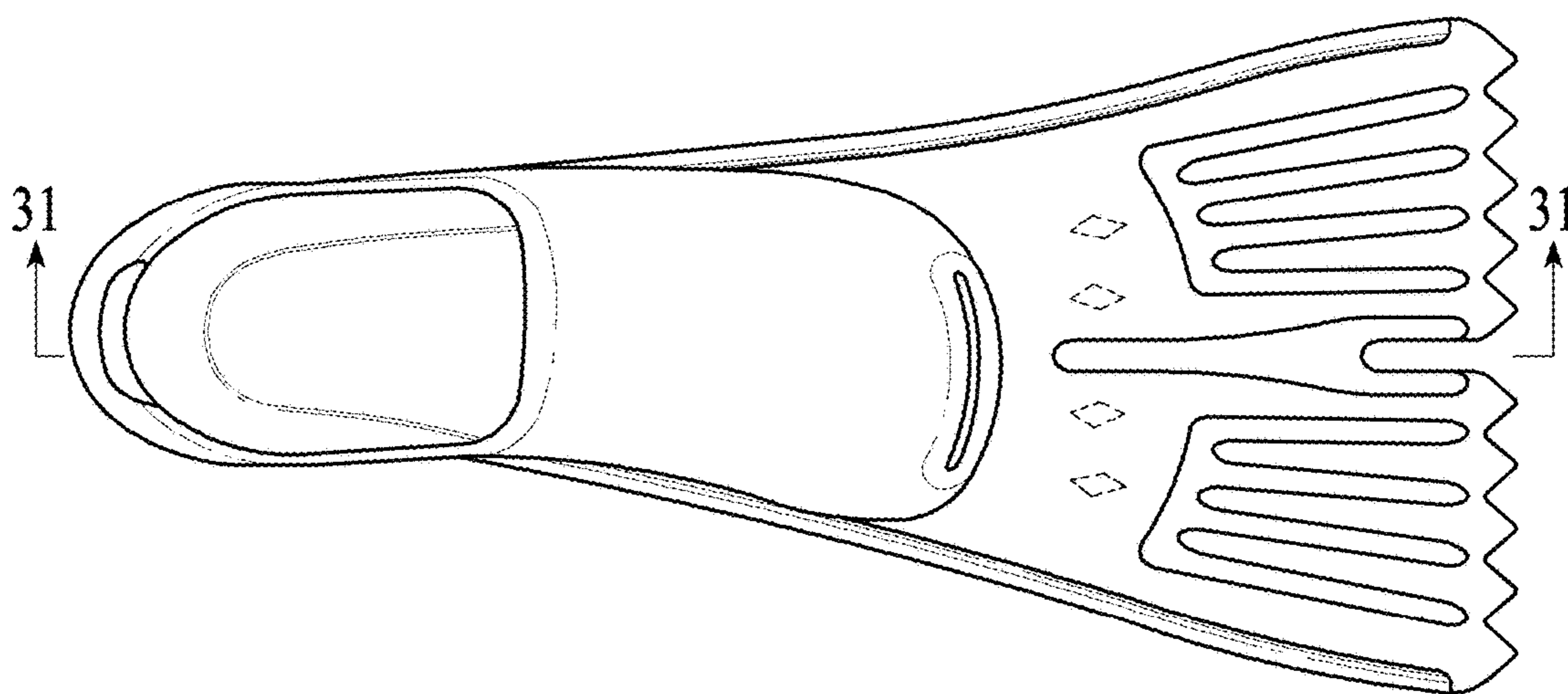


FIG. 30

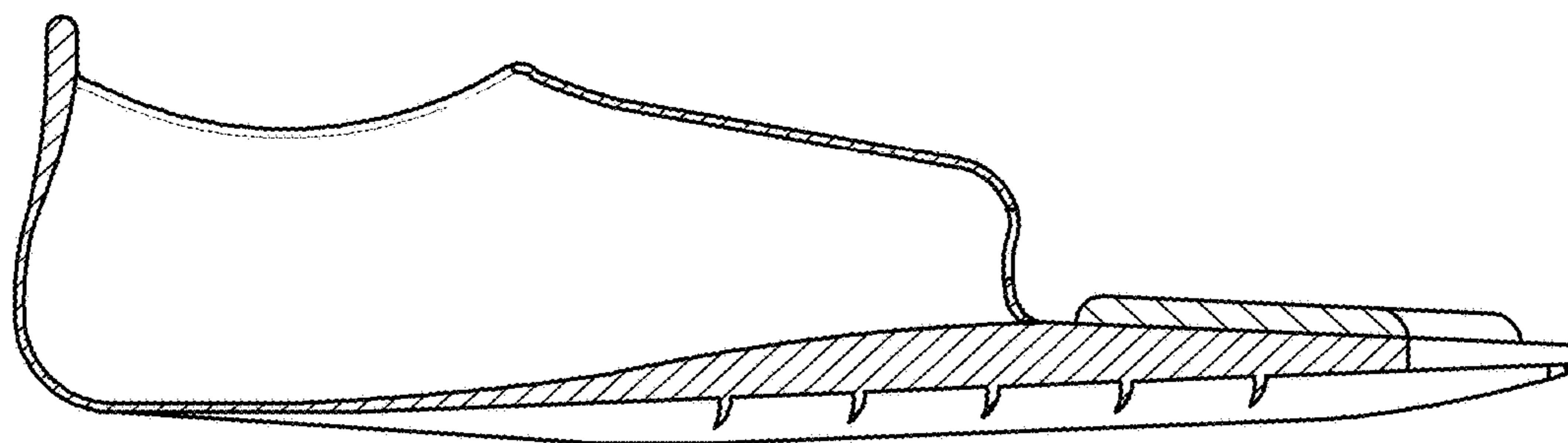


FIG. 31

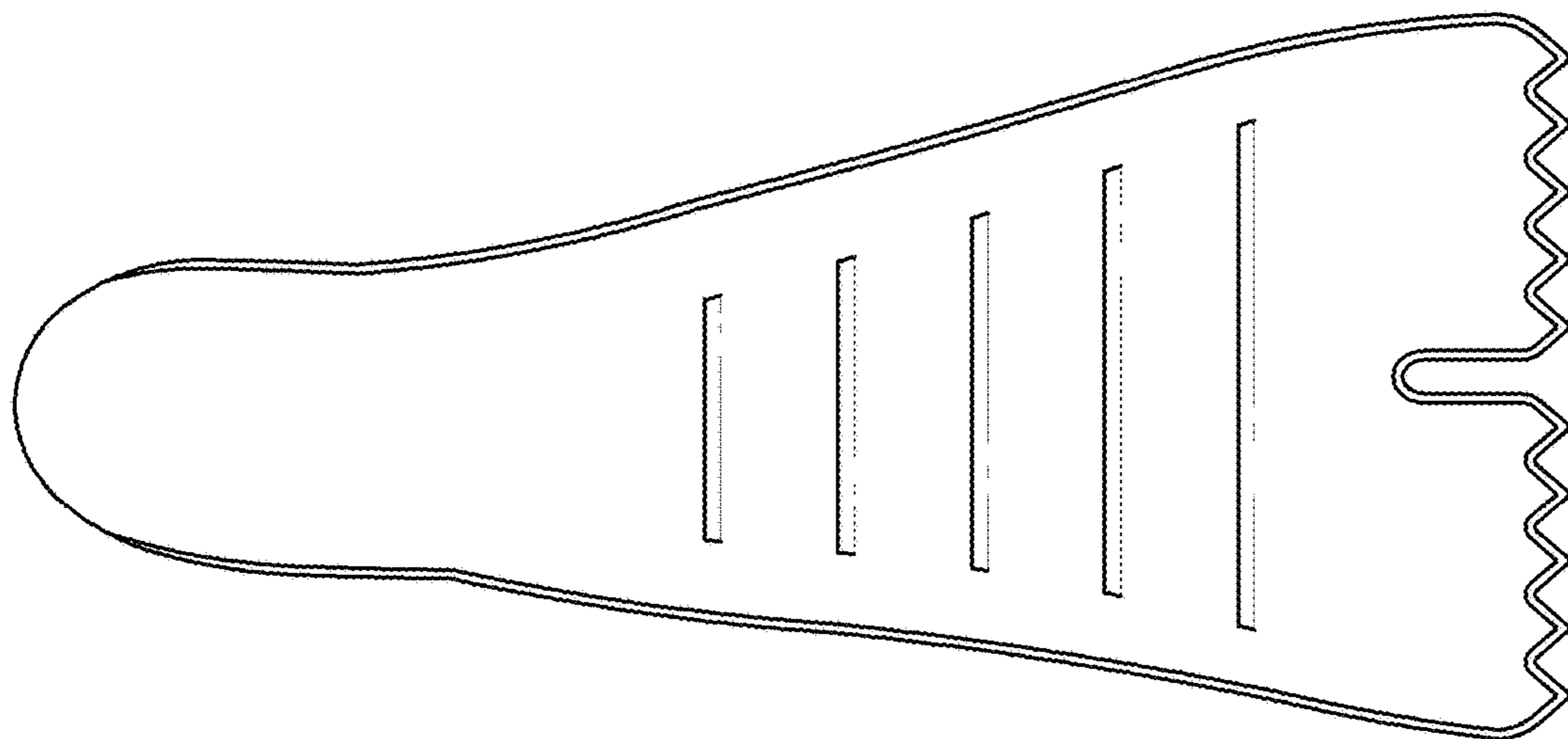


FIG. 32

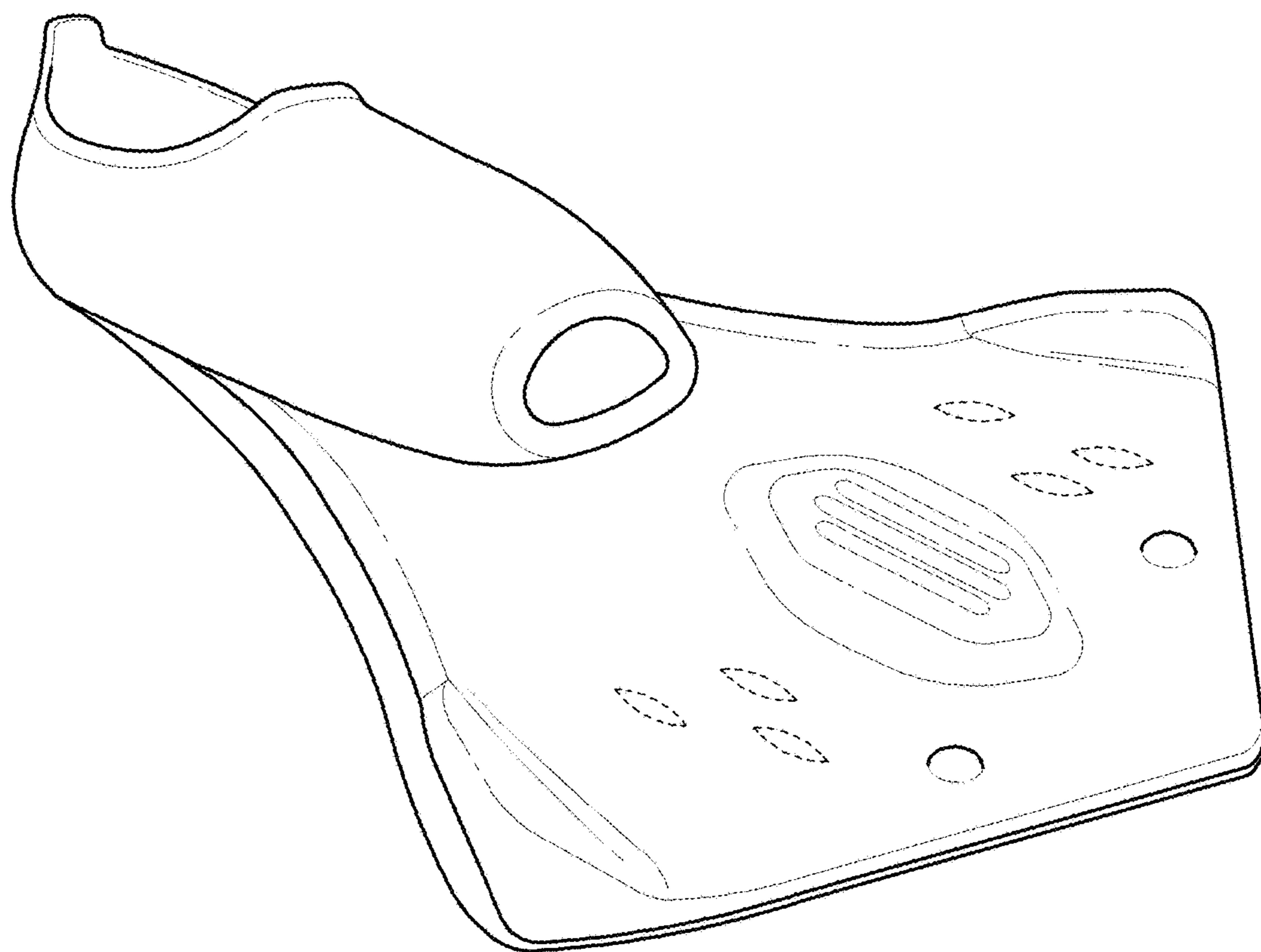


FIG. 33

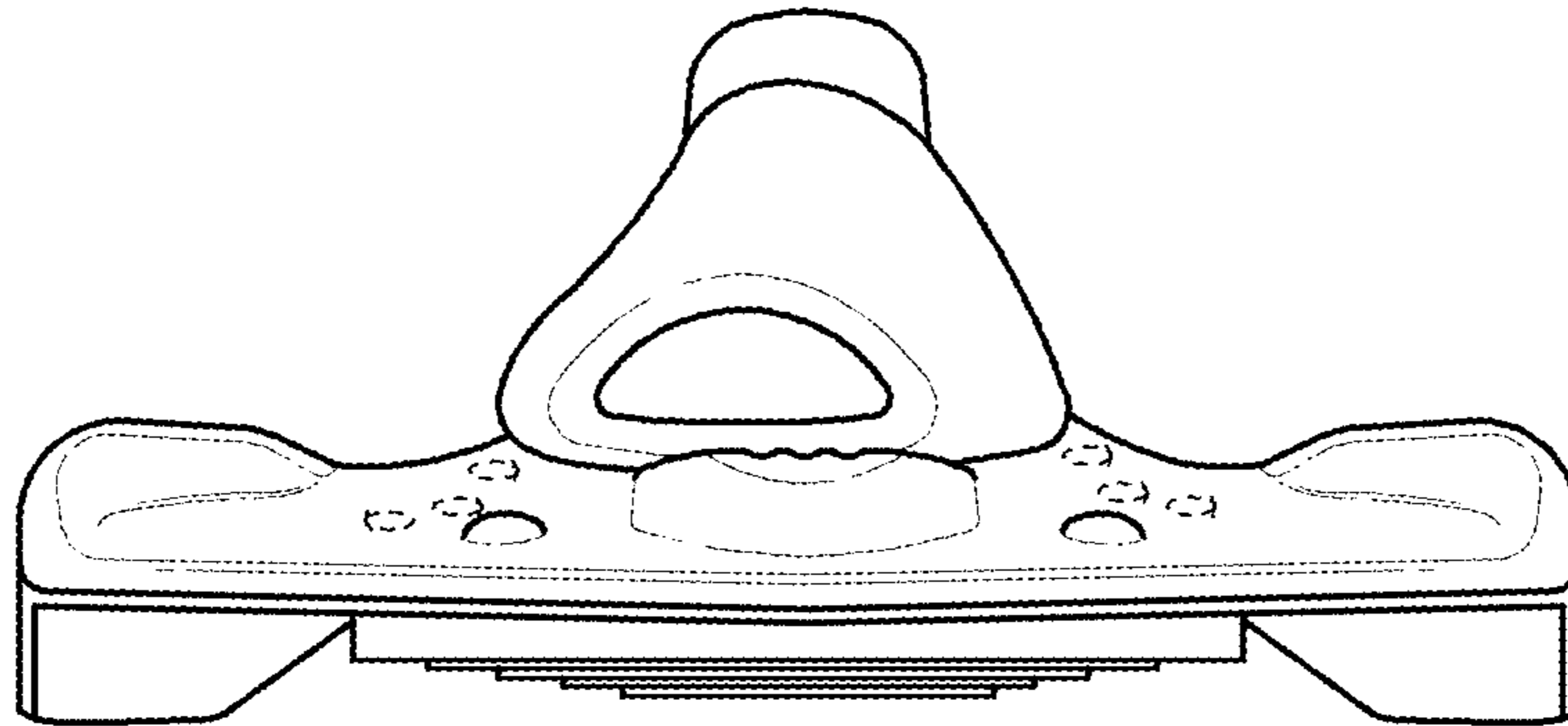


FIG. 34

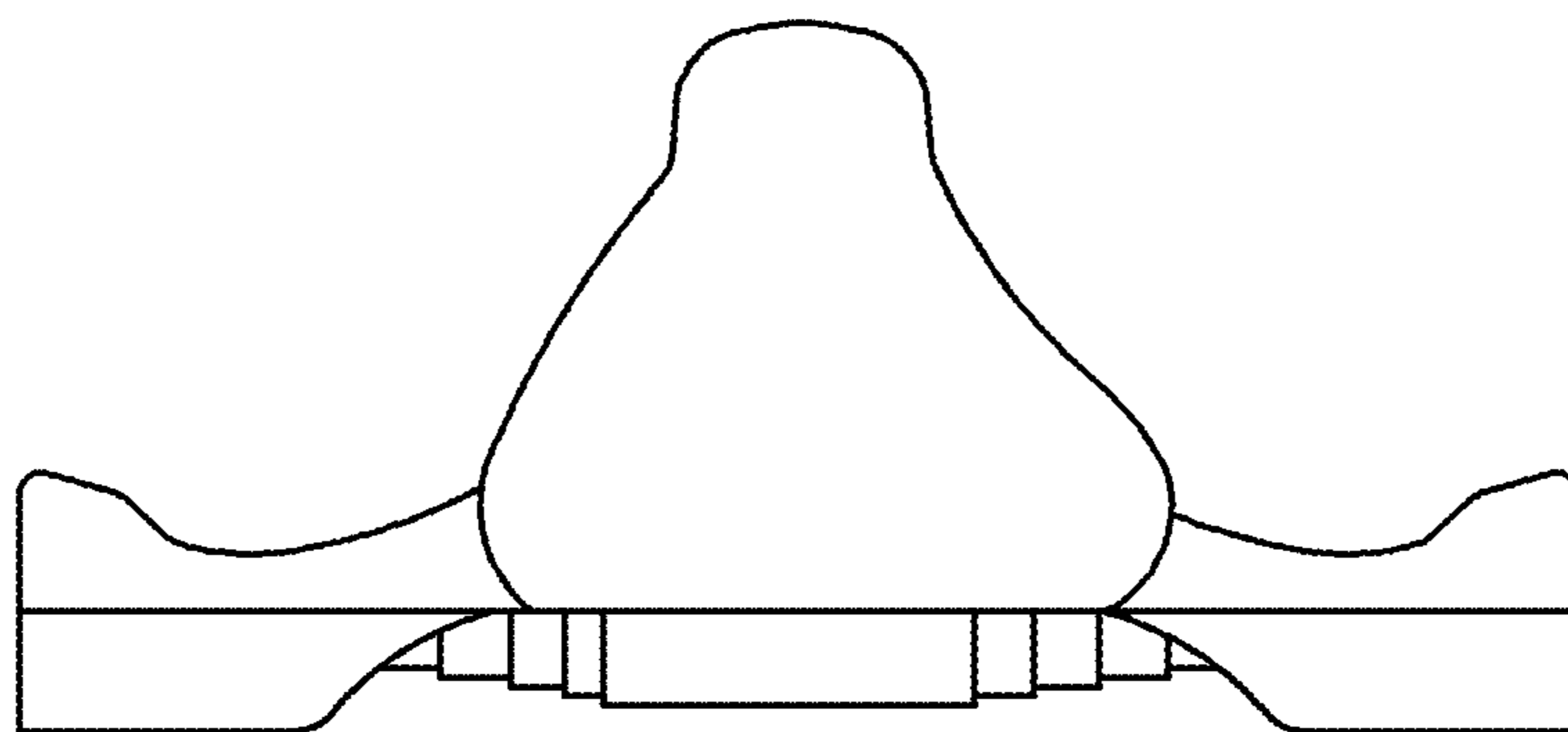


FIG. 35

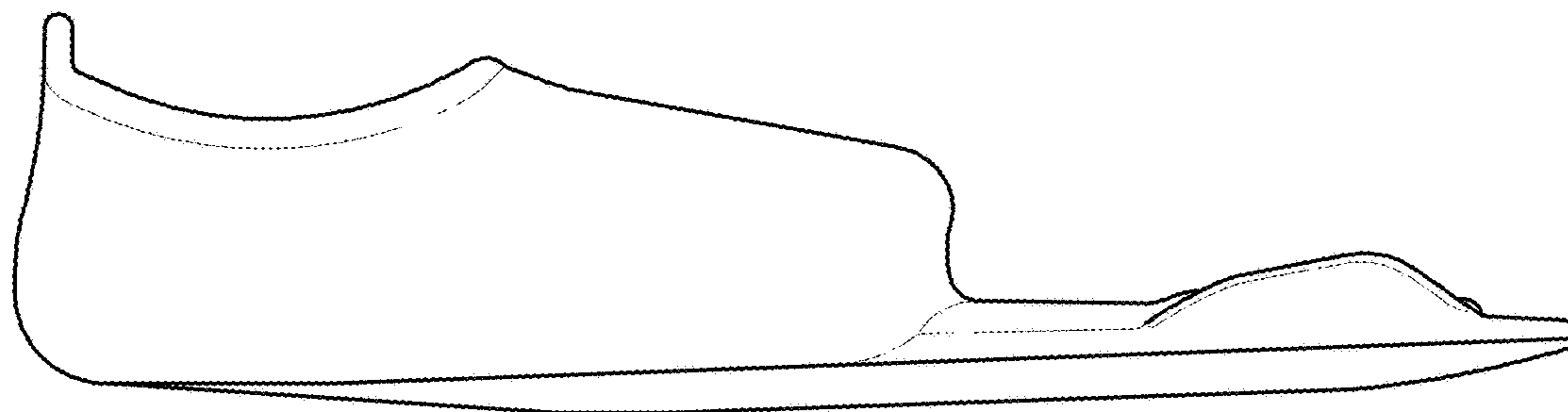


FIG. 36

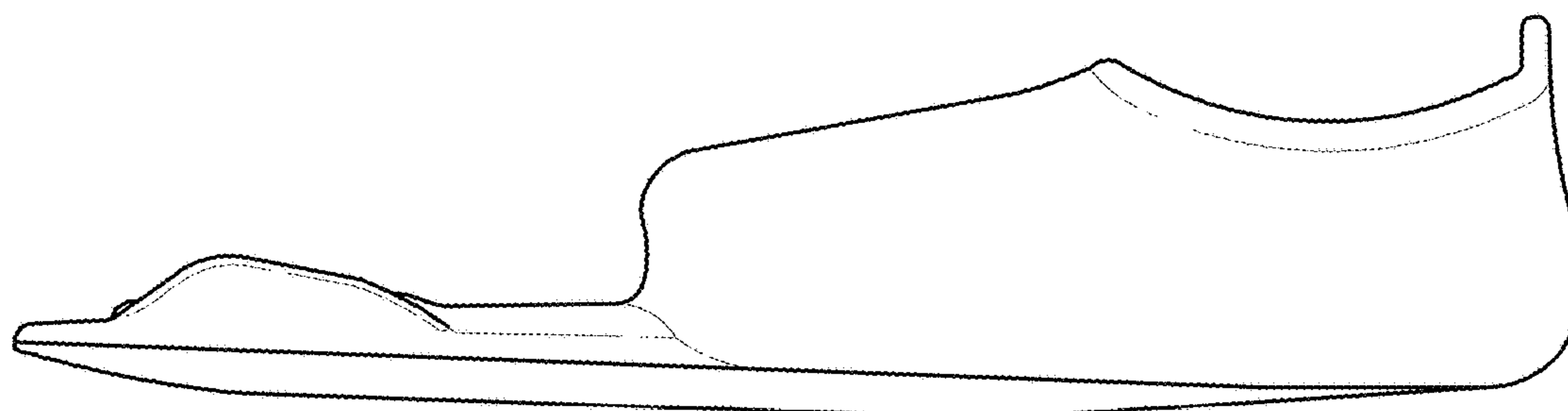


FIG. 37

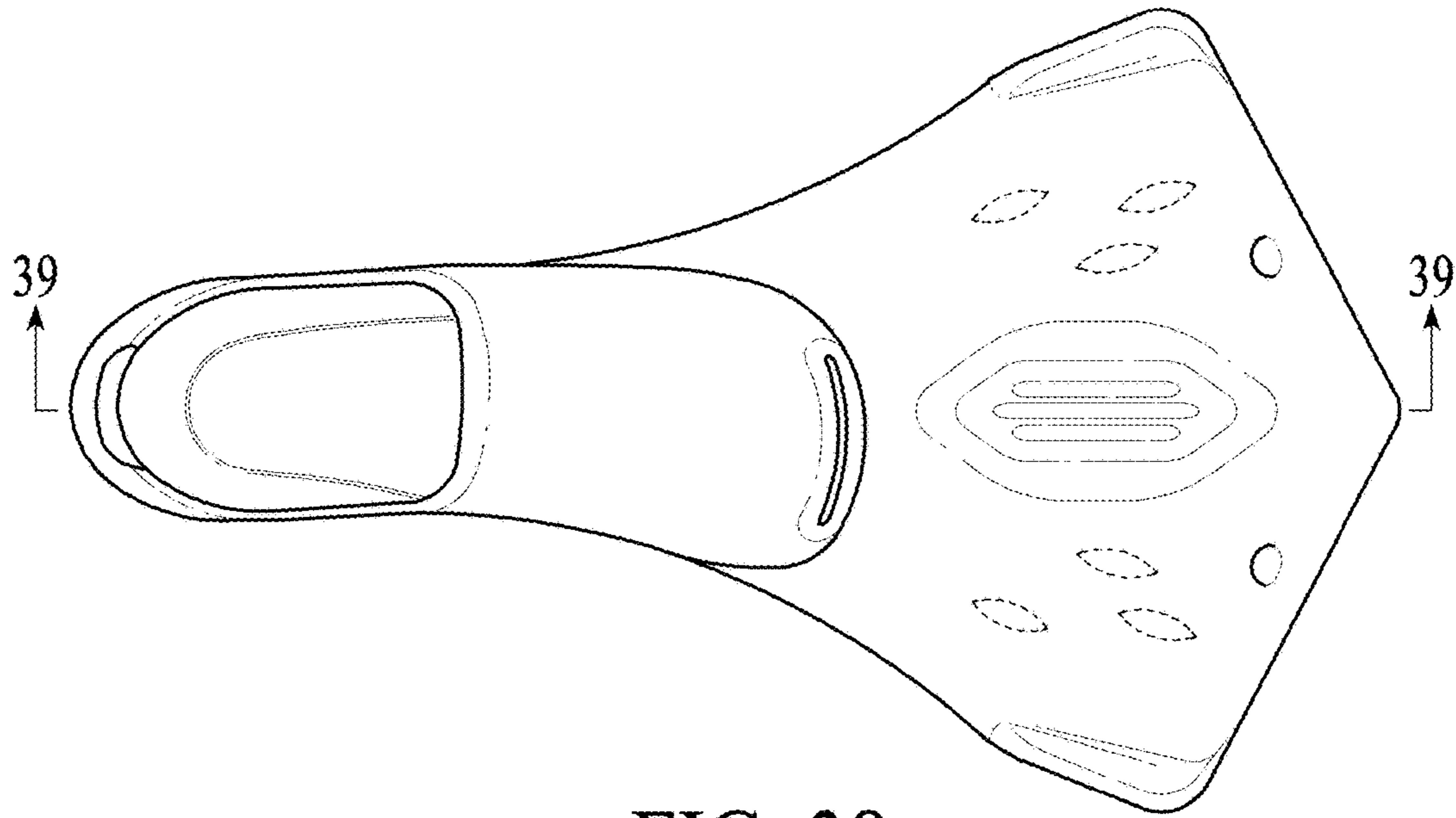


FIG. 38

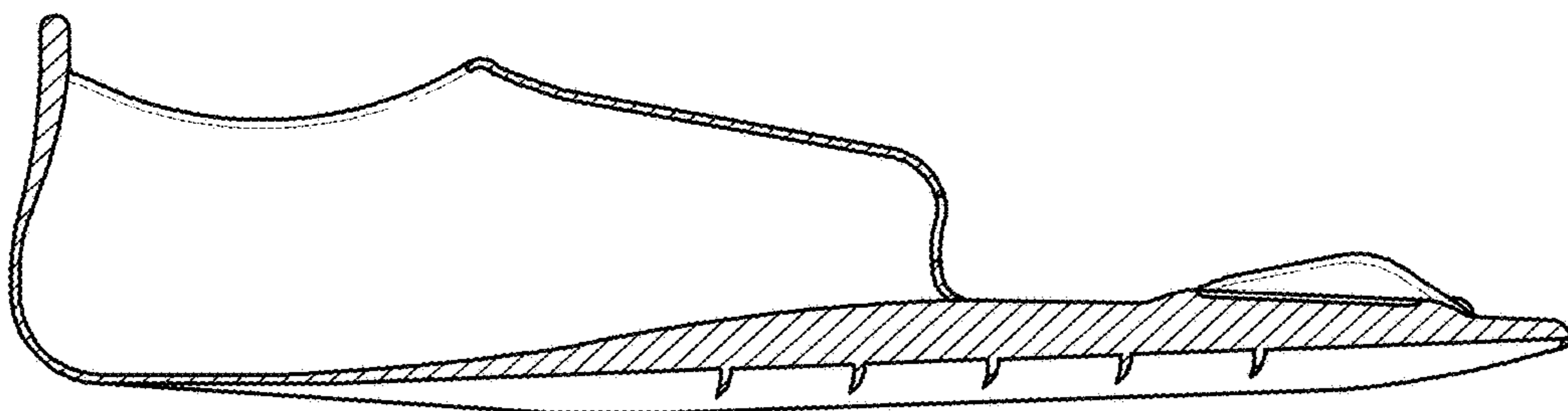


FIG. 39



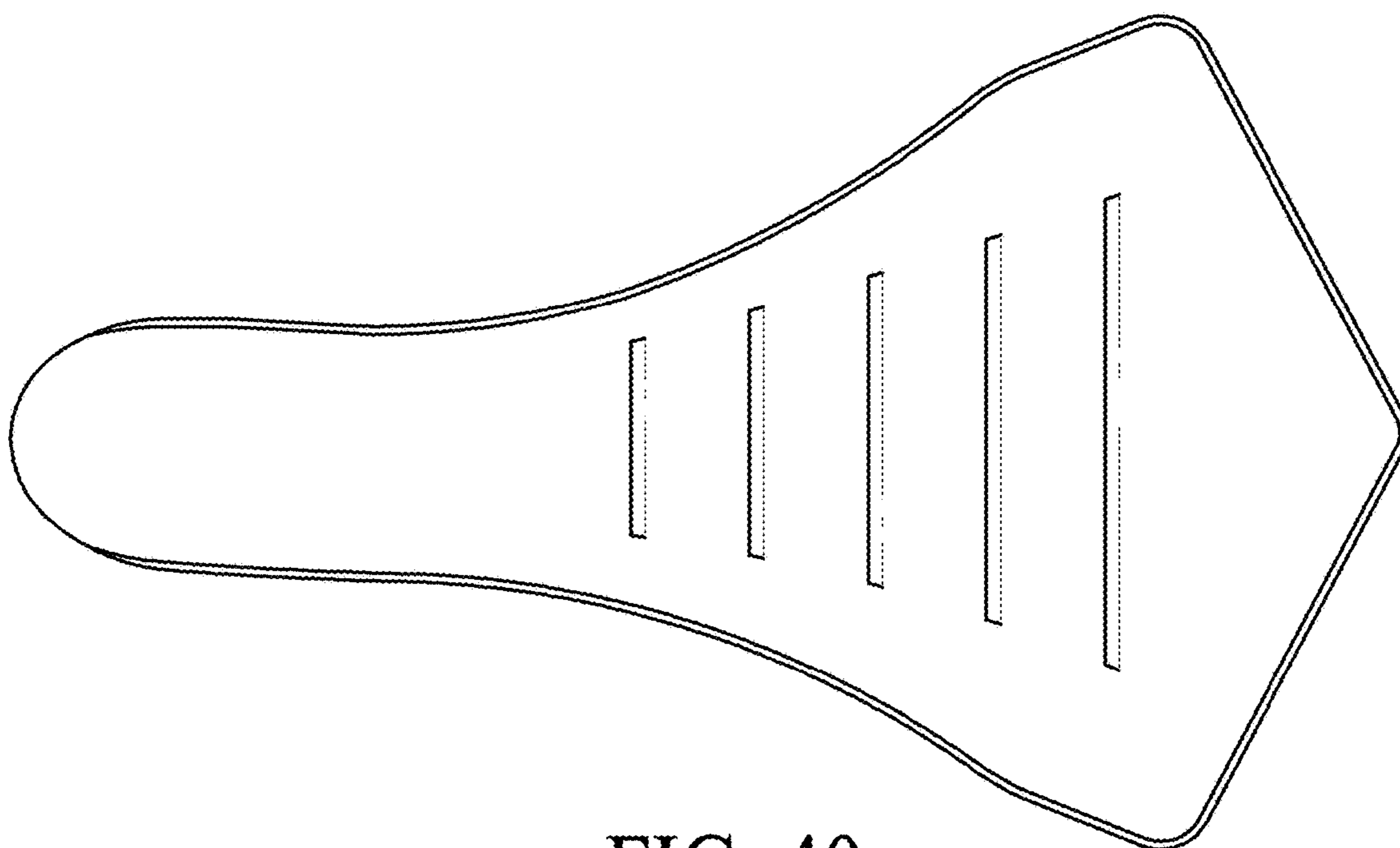


FIG. 40

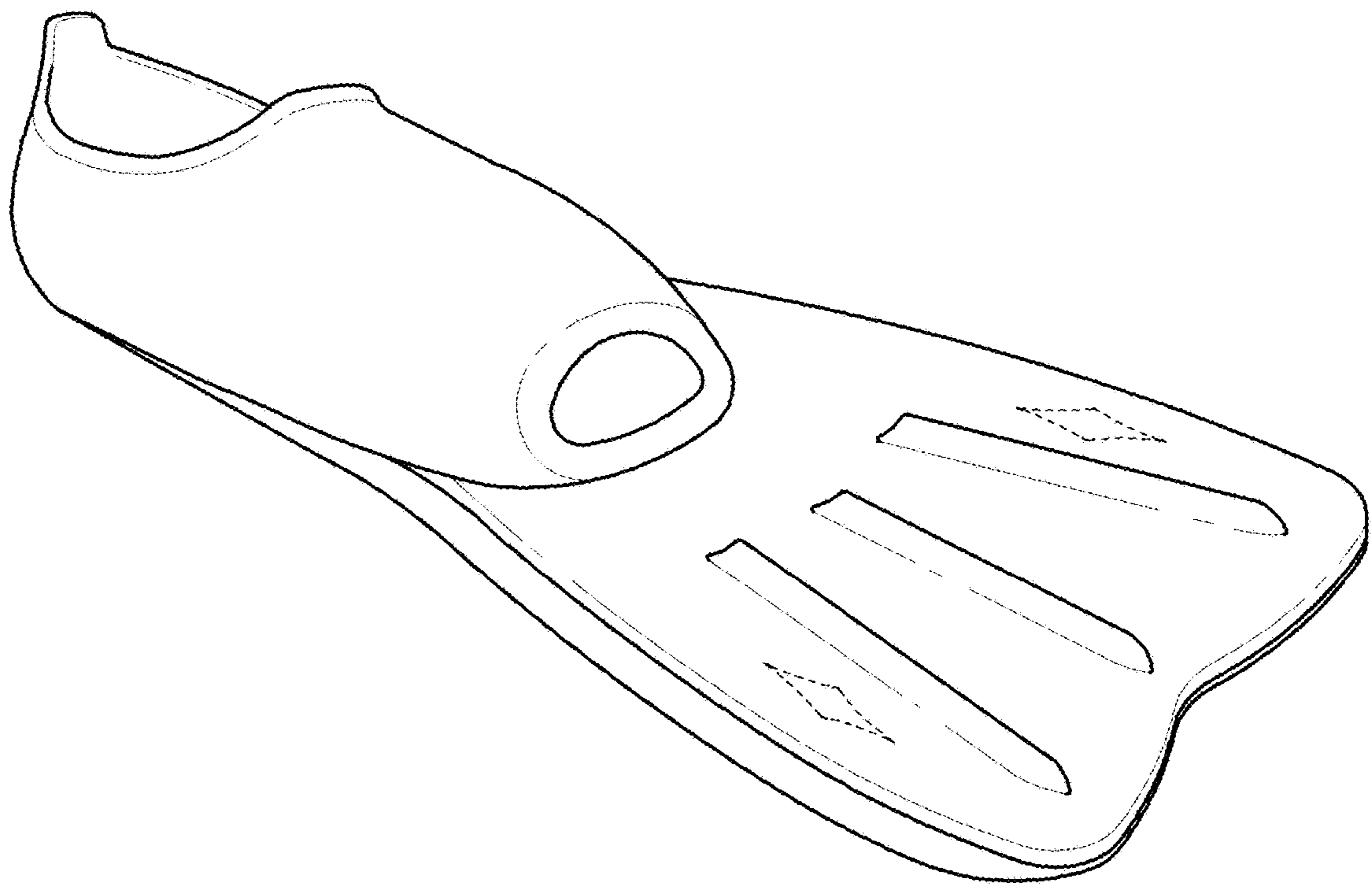


FIG. 41

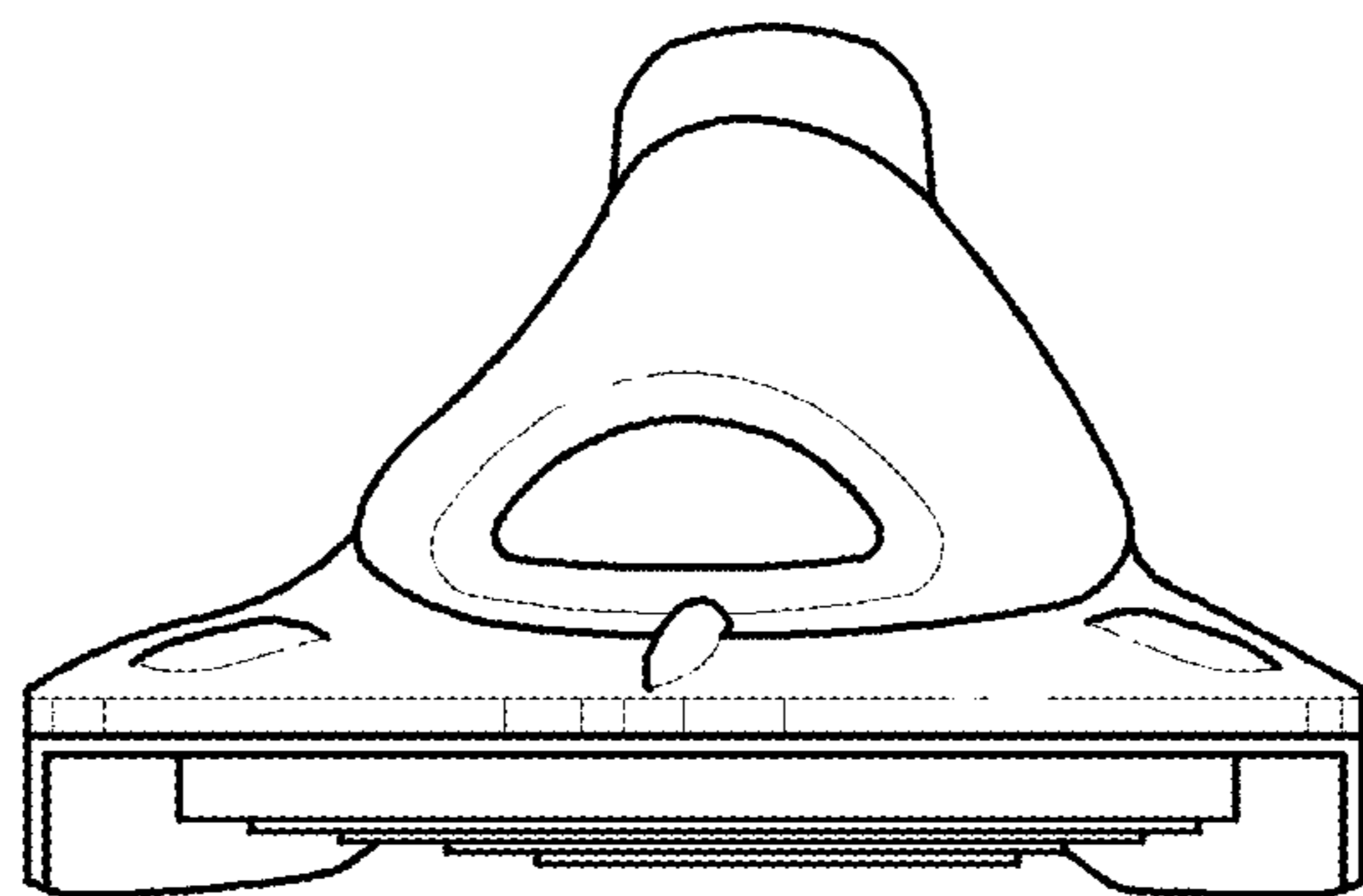


FIG. 42

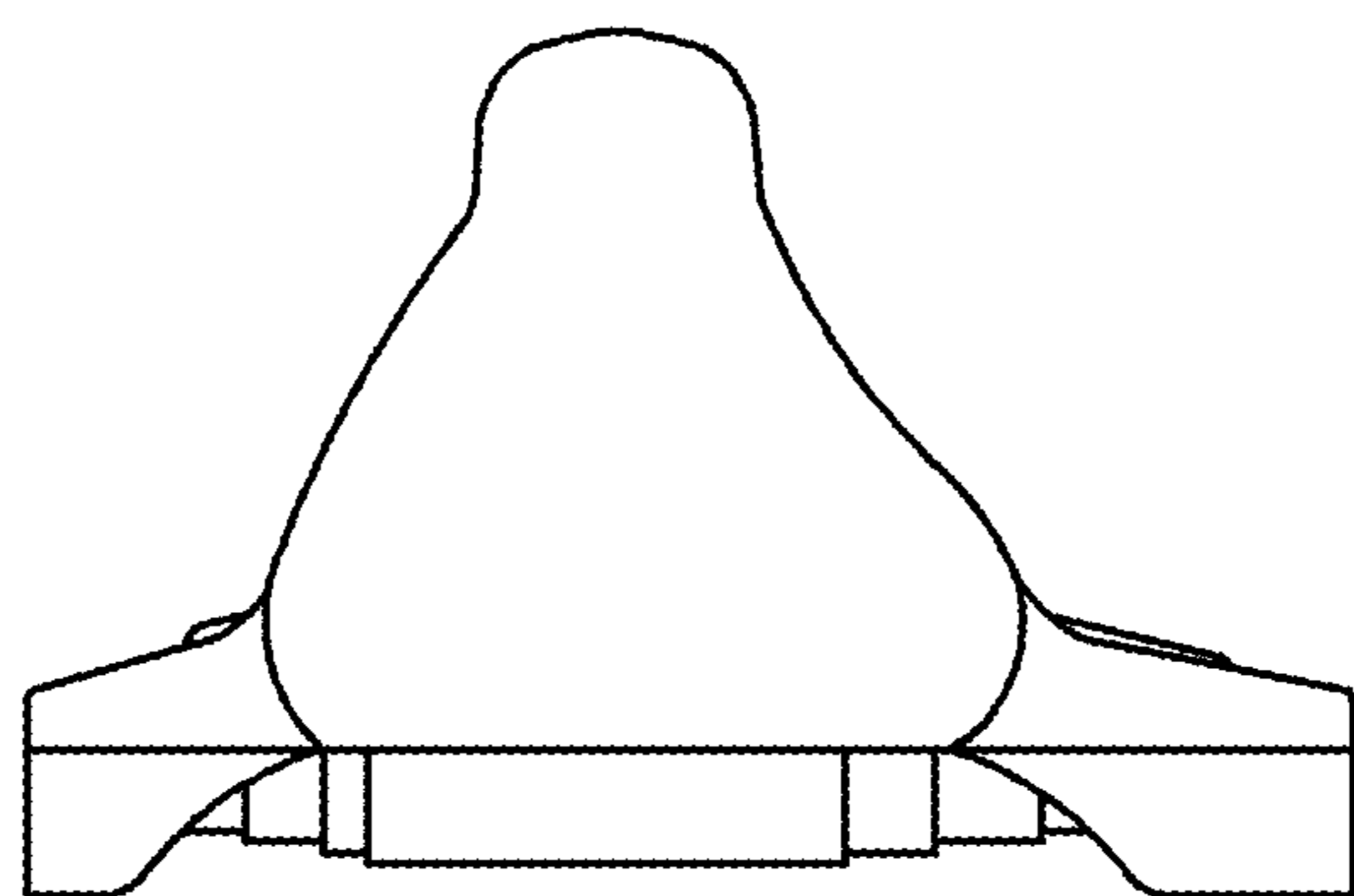


FIG. 43

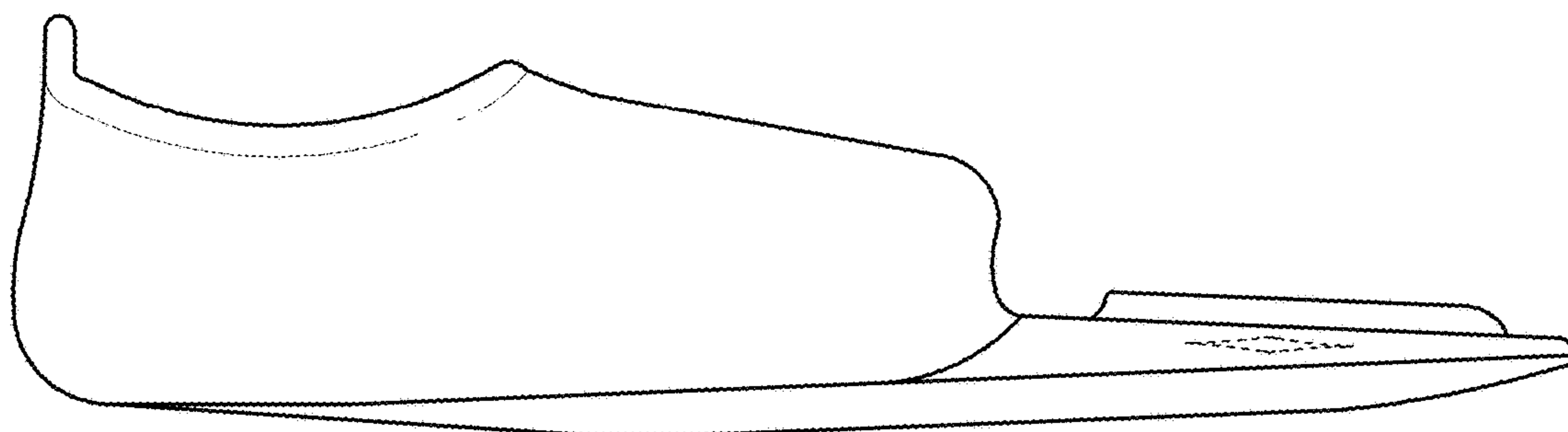


FIG. 44

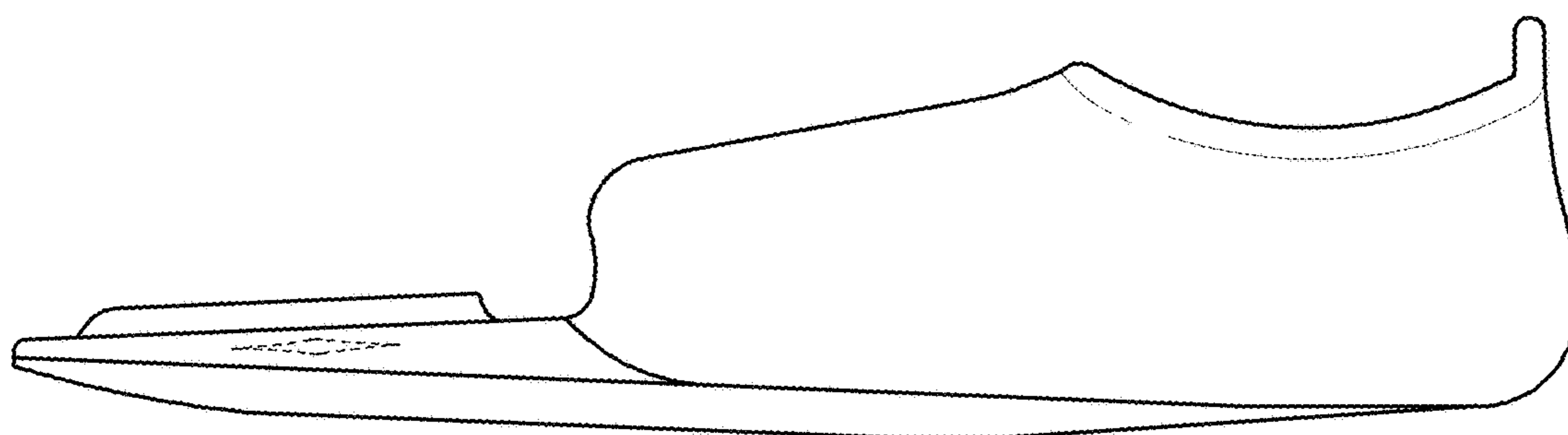


FIG. 45

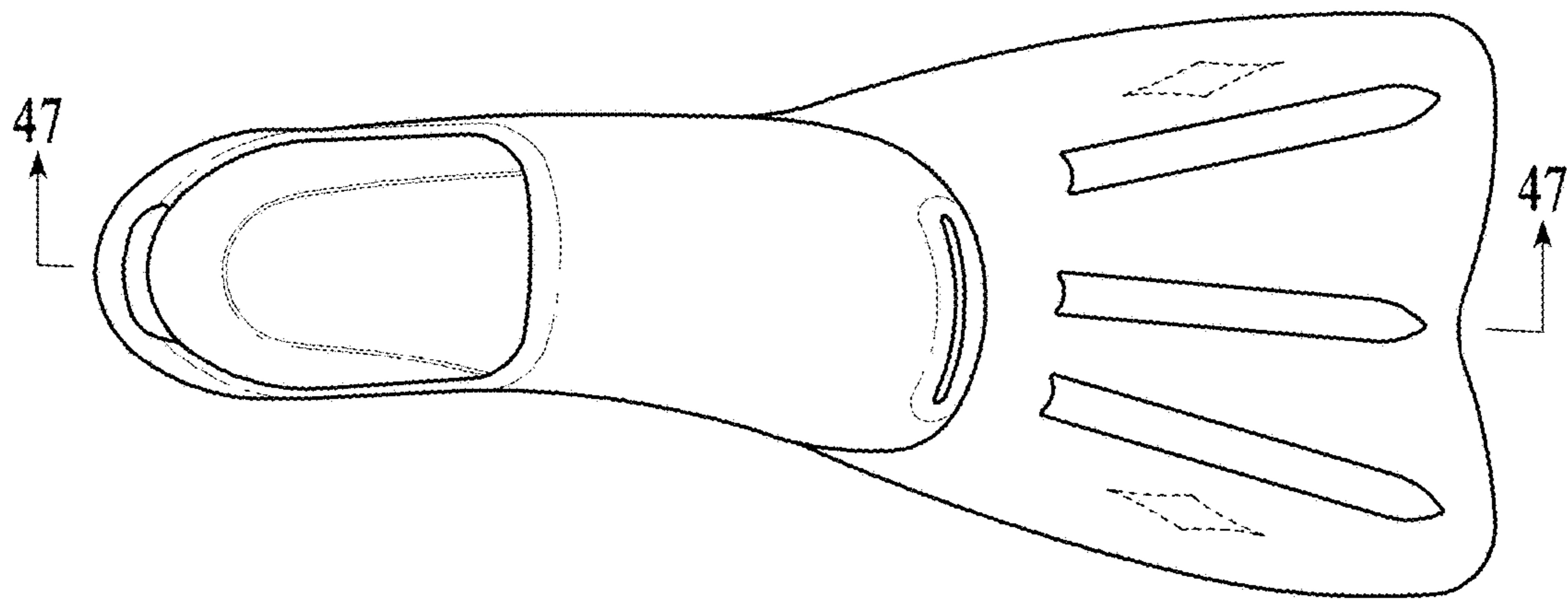


FIG. 46

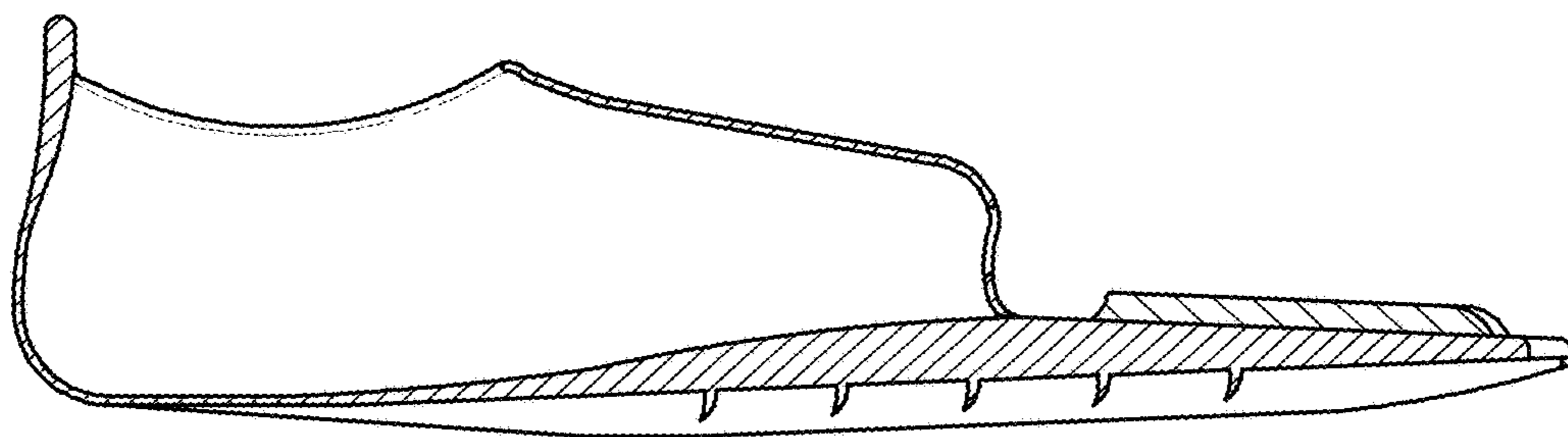


FIG. 47

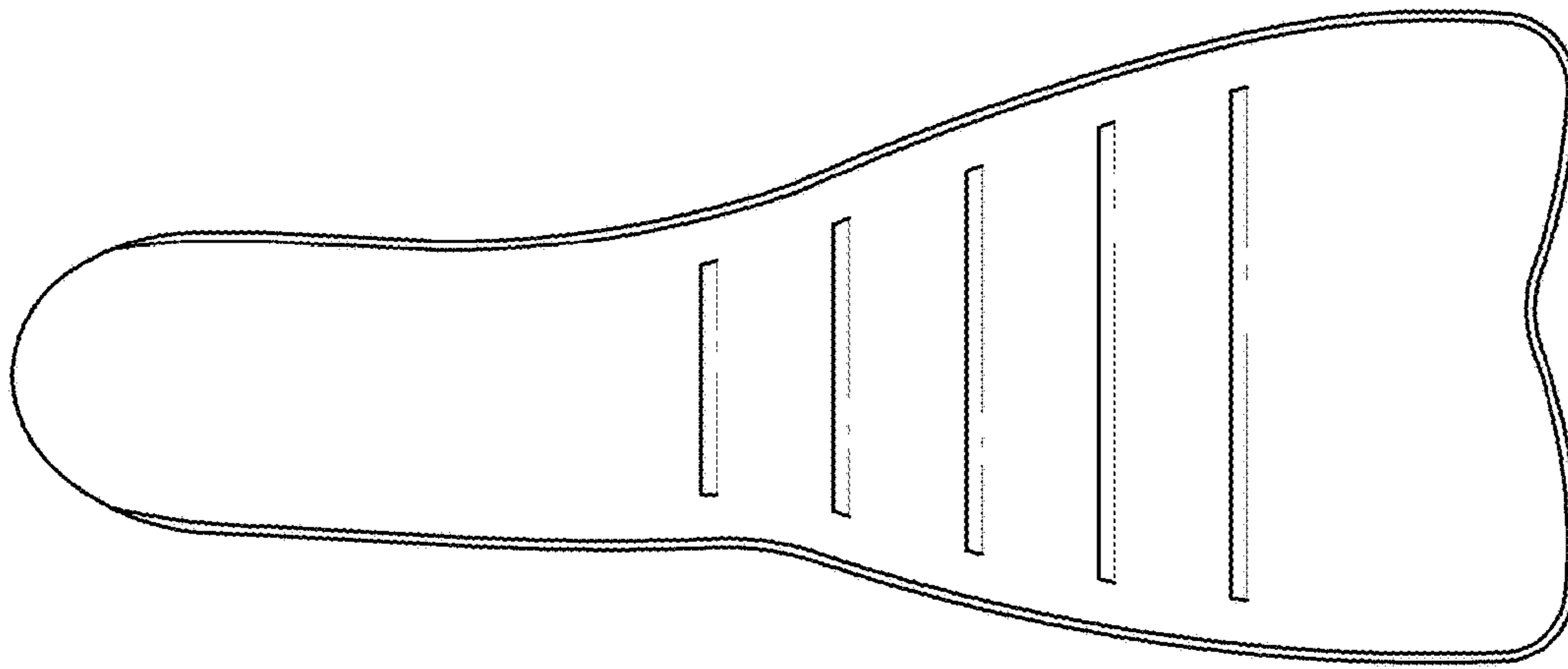


FIG. 48