



US00D782590S

(12) **United States Design Patent** (10) **Patent No.:** **US D782,590 S**  
**Sargent et al.** (45) **Date of Patent:** **\*\* Mar. 28, 2017**

(54) **GOLF CLUB HEAD**

A63B 53/0445; A63B 2053/0433; A63B 2053/0491; A63B 53/02

See application file for complete search history.

(71) Applicant: **Taylor Made Golf Company, Inc.**,  
Carlsbad, CA (US)

(56) **References Cited**

(72) Inventors: **Nathan T. Sargent**, Oceanside, CA (US); **Joseph Reeve Nielson**, Vista, CA (US); **Christopher John Harbert**, Carlsbad, CA (US); **Todd P. Beach**, Encinitas, CA (US); **Brian Bazzel**, Carlsbad, CA (US); **Mark Vincent Greaney**, Vista, CA (US); **Christian Reber Wester**, San Diego, CA (US); **Craig Richard Slyfield**, San Diego, CA (US)

U.S. PATENT DOCUMENTS

D628,257 S \* 11/2010 Albertsen ..... D21/759  
D630,278 S \* 1/2011 Albertsen ..... D21/759  
D630,696 S \* 1/2011 Albertsen ..... D21/759  
D631,119 S \* 1/2011 Albertsen ..... D21/759

(Continued)

FOREIGN PATENT DOCUMENTS

JP 3109501 U 3/2005  
JP 2006-320493 A 11/2006

*Primary Examiner* — Mitchell Siegel

(74) *Attorney, Agent, or Firm* — Klarquist Sparkman, LLP

(73) Assignee: **TAYLOR MADE GOLF COMPANY, INC.**, Carlsbad, CA (US)

(57) **CLAIM**

We claim the ornamental design for a golf club head, as shown and described.

(\*\*) Term: **15 Years**

**DESCRIPTION**

(21) Appl. No.: **29/543,709**

(22) Filed: **Oct. 27, 2015**

**Related U.S. Application Data**

(63) Continuation-in-part of application No. 29/534,382, filed on Jul. 28, 2015, now Pat. No. Des. 770,584.

(51) **LOC (10) Cl.** ..... **21-02**

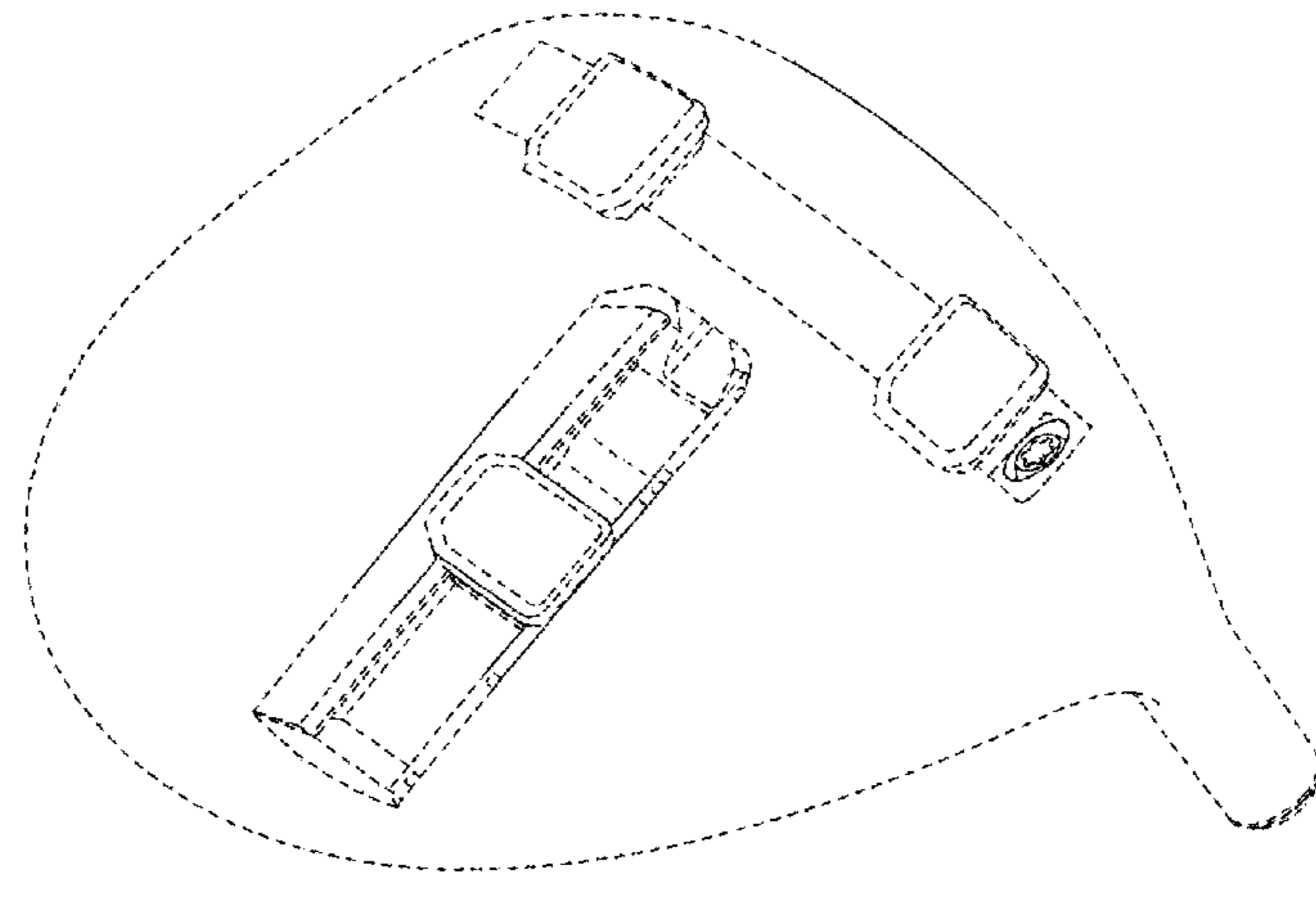
(52) **U.S. Cl.**  
USPC ..... **D21/759**

(58) **Field of Classification Search**  
USPC ..... D21/752, 759  
CPC ..... A63B 53/04; A63B 53/0466; A63B 53/00;

FIG. 1 is a perspective view of a golf club head, as viewed from the bottom and one side, according to one embodiment. FIG. 2 is a front elevation view of the golf club head of FIG. 1. FIG. 3 is a rear elevation view of the golf club head of FIG. 1. FIG. 4 is a side elevation view of a toe side of the golf club head of FIG. 1. FIG. 5 is a side elevation view of an opposite heel side of the golf club head of FIG. 1. FIG. 6 is a top plan view of the golf club head of FIG. 1; and, FIG. 7 is a bottom plan view of the golf club head of FIG. 1.

The dashed lines in the drawings are for purposes of illustrating environmental structure as well as portions of the design that form no part of the present claimed design but

(Continued)



describe other ornamental design features of lateral and longitudinal weight tracks and feature subsets thereof.

**1 Claim, 5 Drawing Sheets**

(56)

**References Cited**

U.S. PATENT DOCUMENTS

D655,363 S \* 3/2012 Vrska ..... D21/759  
 8,235,844 B2 \* 8/2012 Albertsen ..... A63B 53/0466  
 473/345  
 D675,272 S \* 1/2013 Greensmith ..... D21/759  
 D686,679 S \* 7/2013 Greensmith ..... D21/759  
 D692,077 S \* 10/2013 Greensmith ..... D21/759  
 D697,152 S \* 1/2014 Harbert ..... D21/752  
 D708,280 S \* 7/2014 Sargent ..... D21/759  
 D709,571 S \* 7/2014 Sargent ..... D21/759  
 D709,572 S \* 7/2014 Sargent ..... D21/759  
 8,821,312 B2 9/2014 Burnett et al.

8,827,831 B2 9/2014 Burnett et al.  
 D714,869 S 10/2014 Turner et al.  
 D714,891 S \* 10/2014 Greensmith ..... D21/752  
 D714,892 S \* 10/2014 Atwell ..... D21/752  
 D714,896 S 10/2014 Brookshire et al.  
 8,888,607 B2 \* 11/2014 Harbert ..... A63B 53/04  
 473/307  
 D724,165 S 3/2015 Cardani et al.  
 8,986,133 B2 3/2015 Bennett et al.  
 9,089,747 B2 7/2015 Boyd et al.  
 9,089,749 B2 7/2015 Burnett et al.  
 9,168,428 B2 10/2015 Albertsen et al.  
 9,220,953 B2 12/2015 Beach et al.  
 D770,584 S \* 11/2016 Sargent ..... D21/759  
 2007/0049417 A1 3/2007 Shear  
 2014/0080622 A1 3/2014 Sargent et al.  
 2014/0080628 A1 3/2014 Sargent et al.  
 2014/0080629 A1 \* 3/2014 Sargent ..... A63B 53/0466  
 473/336  
 2016/0059093 A1 \* 3/2016 Nielson ..... A63B 53/02  
 473/338

\* cited by examiner

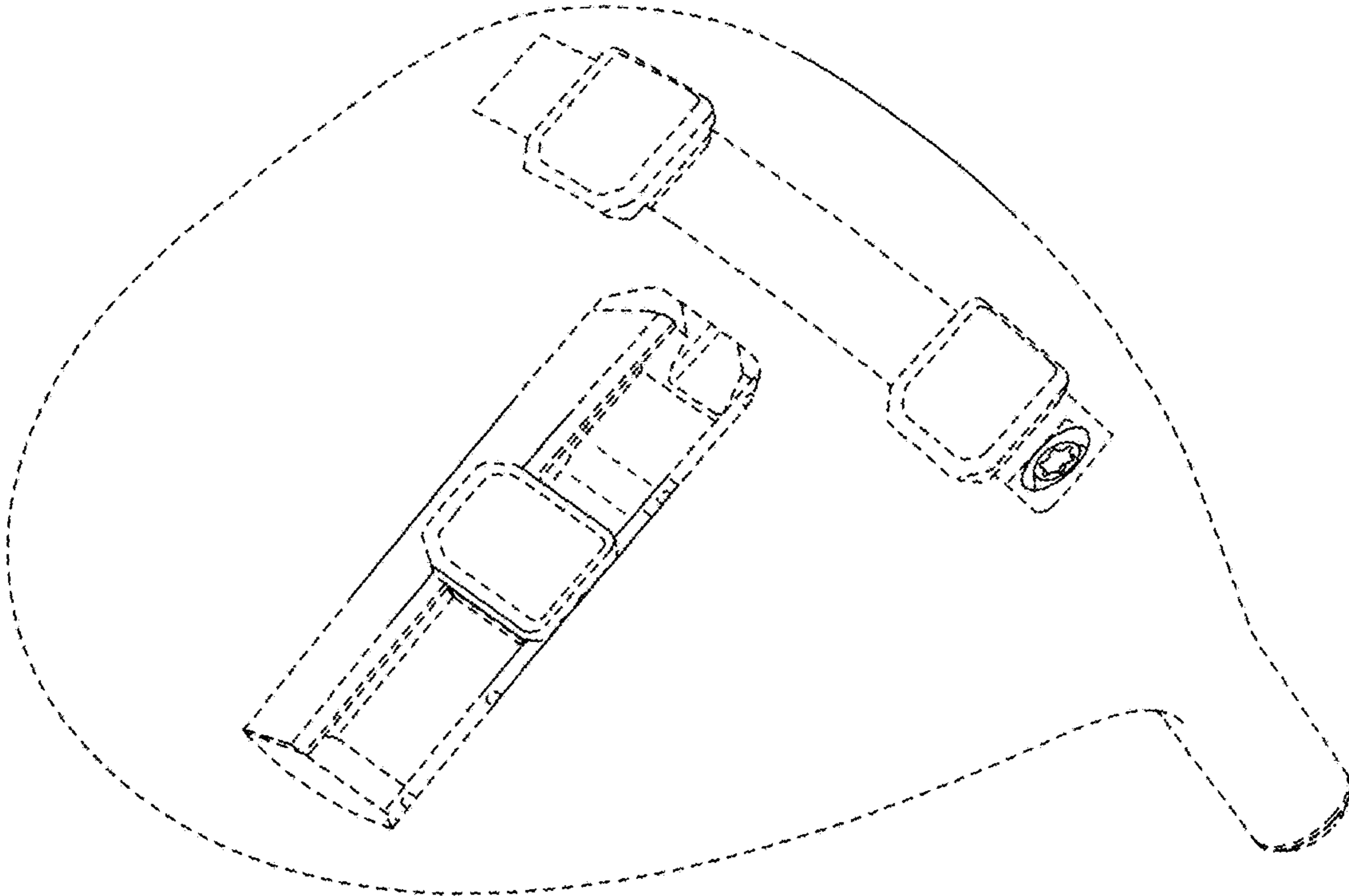


FIG. 1

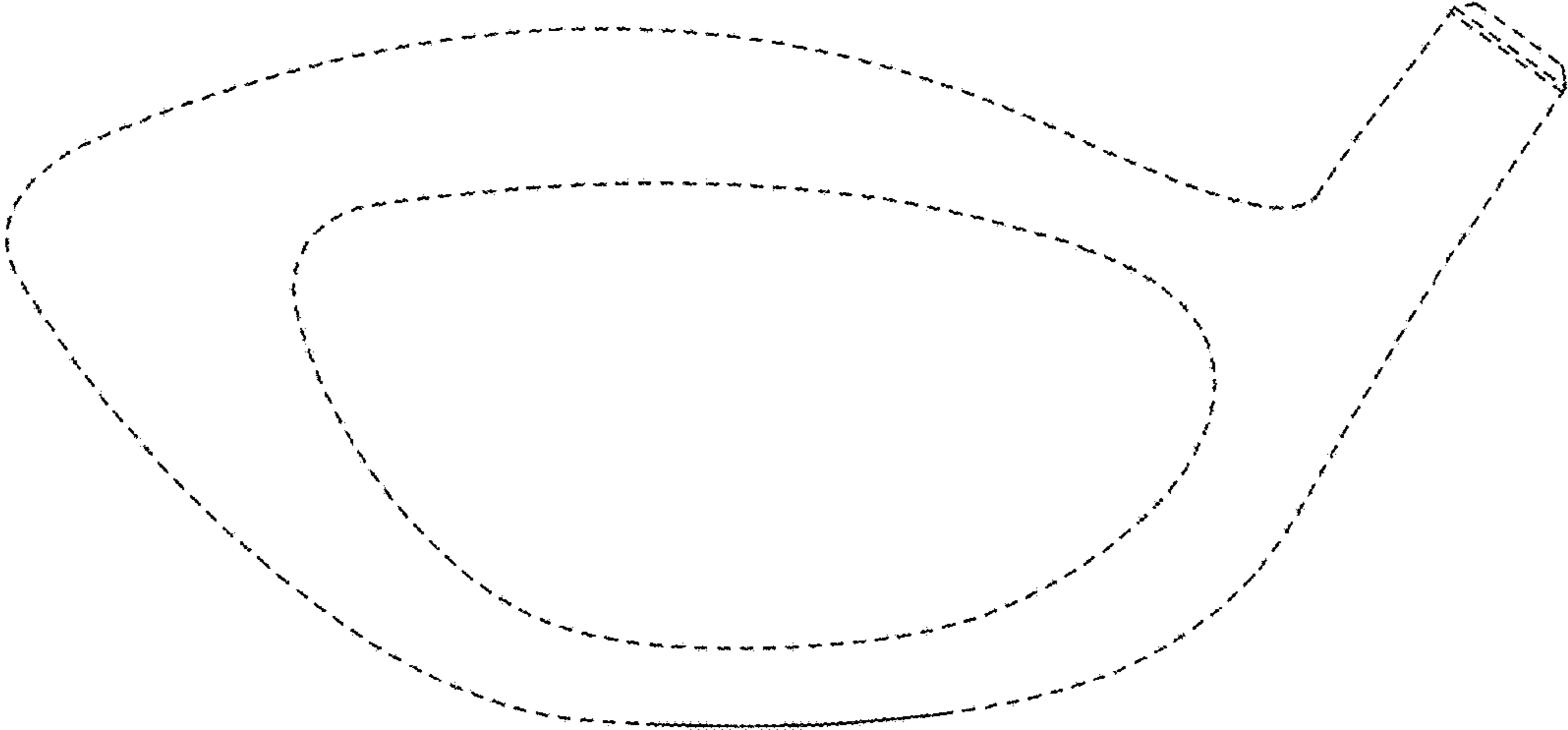


FIG. 2

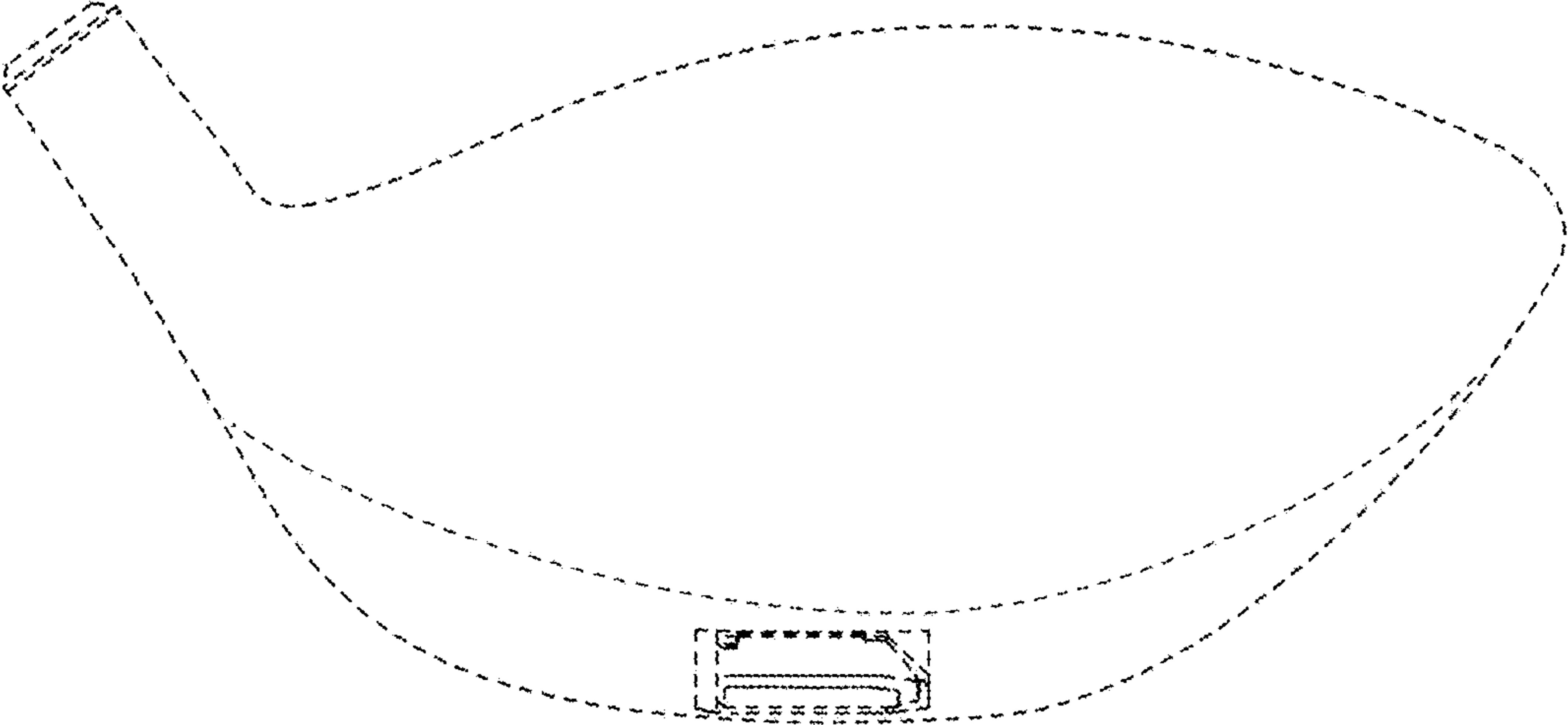


FIG. 3

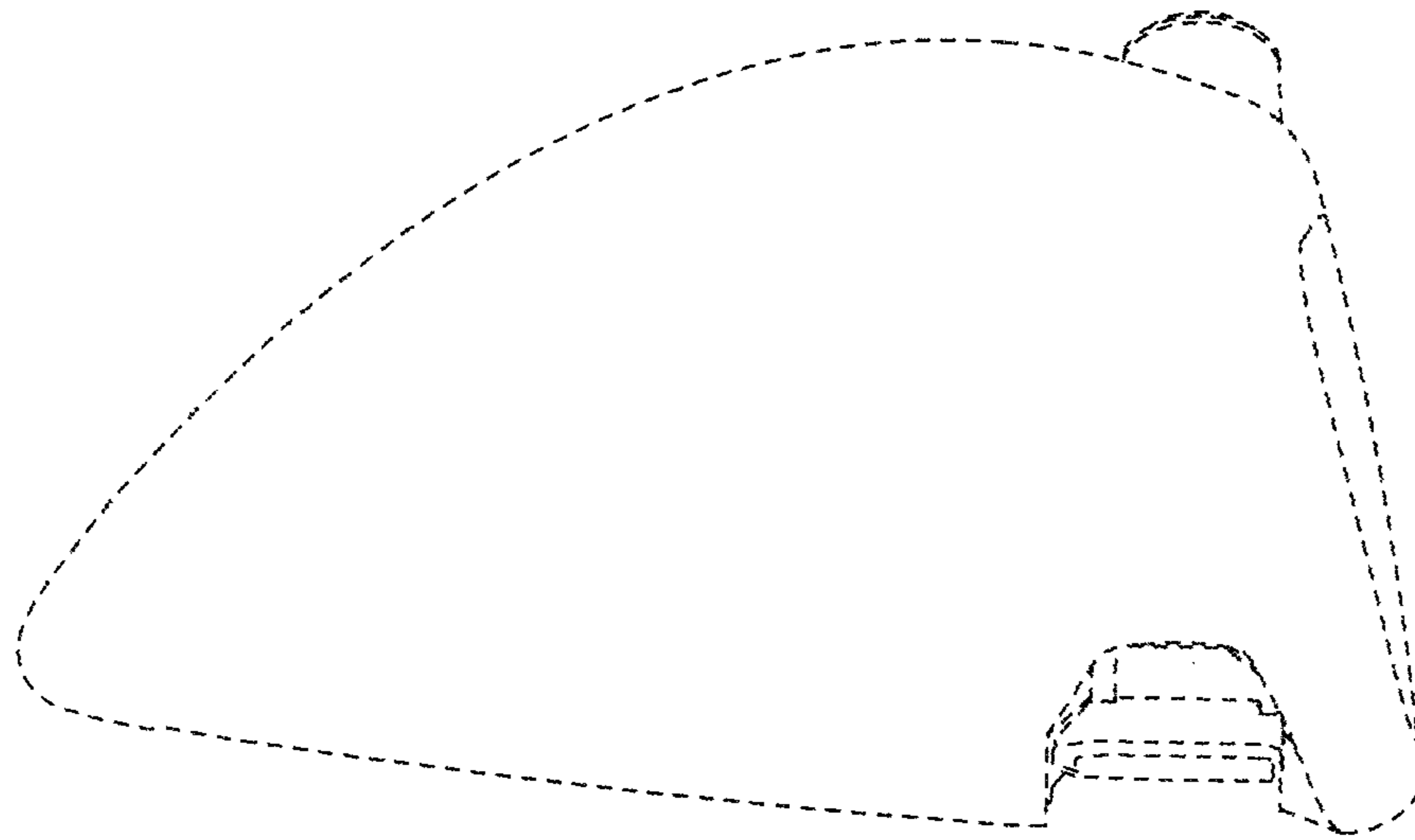


FIG. 4

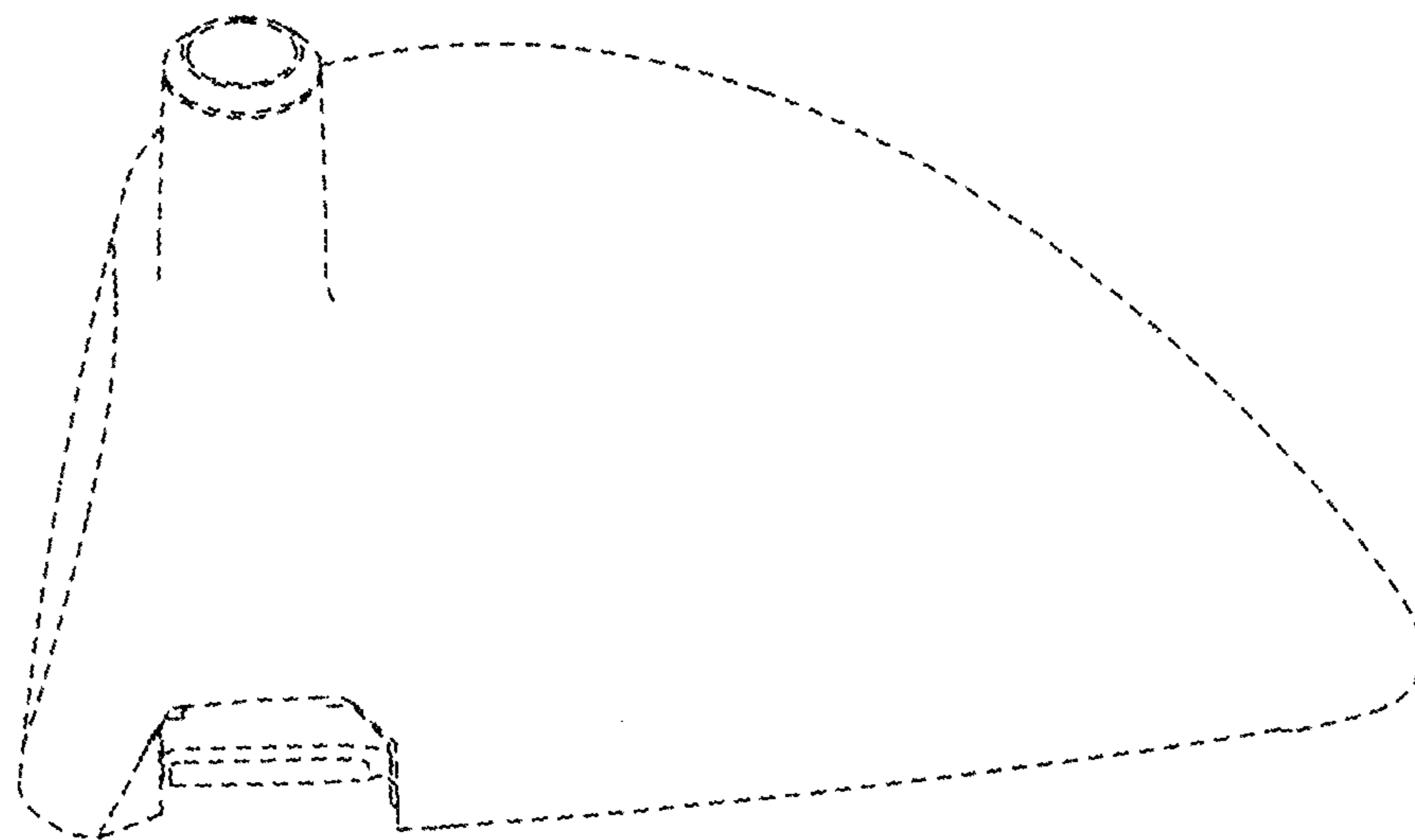


FIG. 5

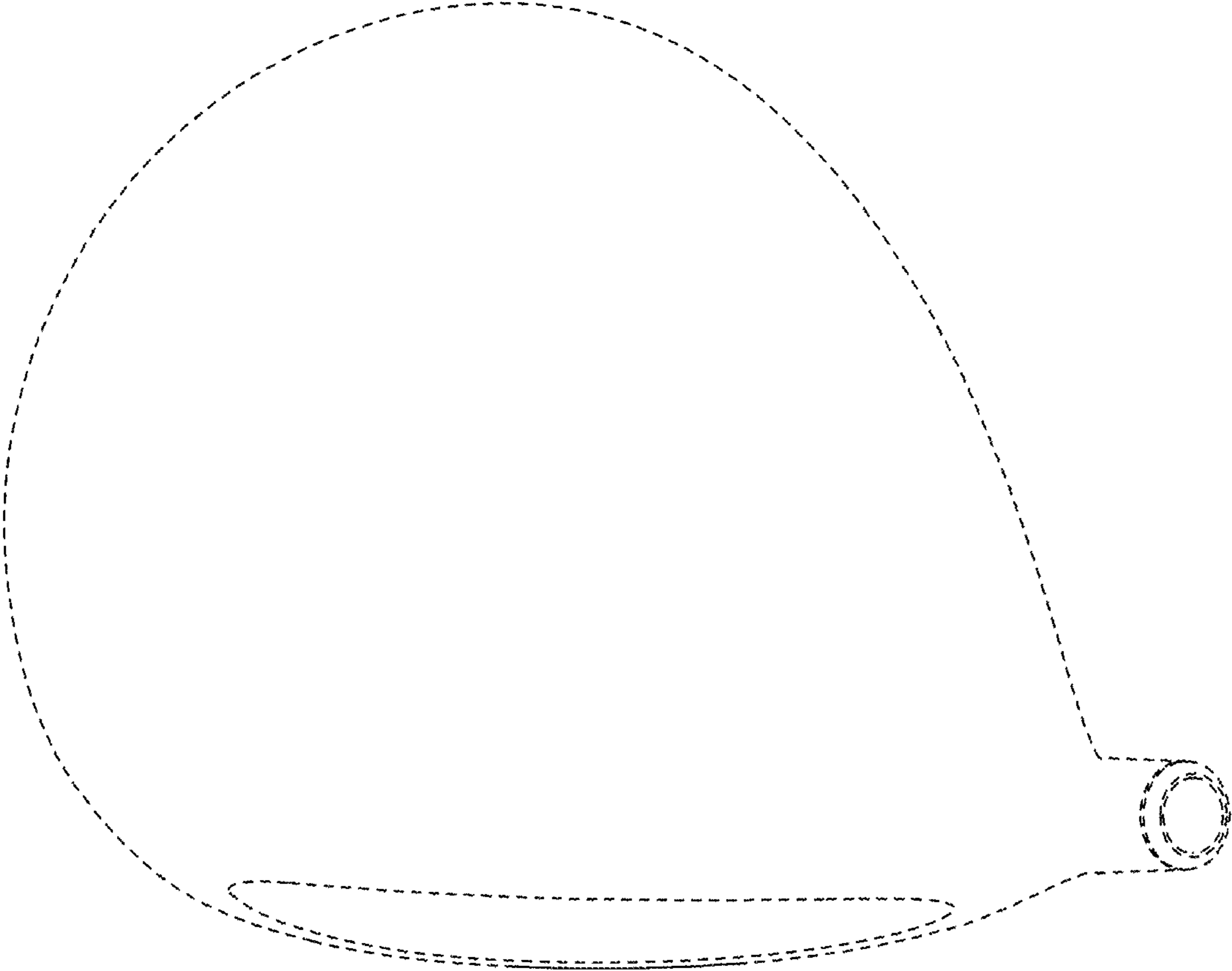


FIG. 6

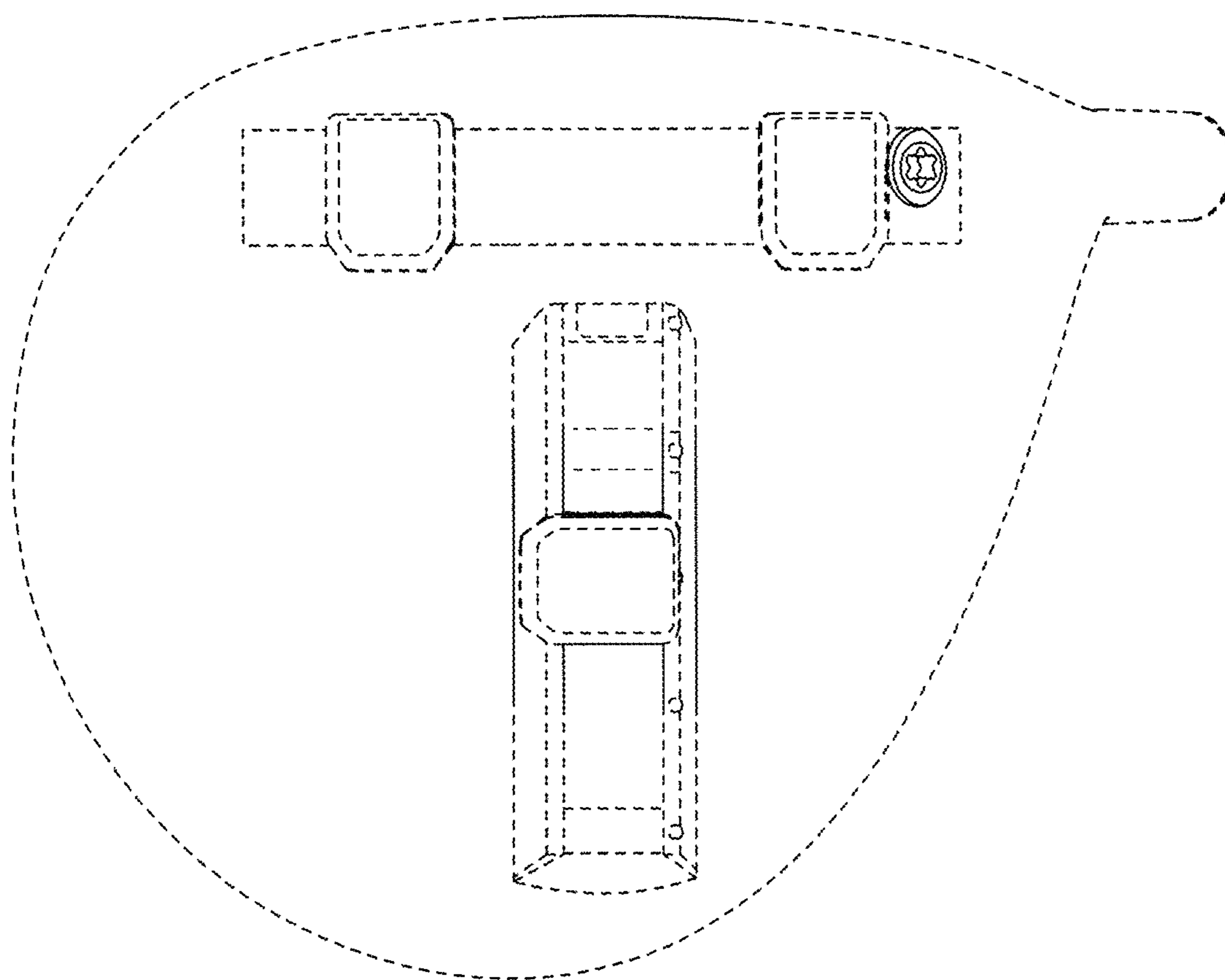


FIG. 7