



US00D782589S

(12) **United States Design Patent**
Burdick et al.

(10) **Patent No.:** **US D782,589 S**
(45) **Date of Patent:** **** Mar. 28, 2017**

(54) **GRIPPING DEVICE**

(71) Applicants: **Joshua Burdick**, New York, NY (US);
Michael R. Williams, Queens, NY
(US)

(72) Inventors: **Joshua Burdick**, New York, NY (US);
Michael R. Williams, Queens, NY
(US)

(**) Term: **14 Years**

(21) Appl. No.: **29/525,842**

(22) Filed: **May 4, 2015**

(51) **LOC (10) Cl.** **21-02**

(52) **U.S. Cl.**
USPC **D21/758; D21/756**

(58) **Field of Classification Search**
USPC D21/753, 756-758, 789-795; D8/394;
D3/15, 229; 473/201, 206, 215-218,
473/300-303, 551, 553
CPC A63B 69/36; A63B 53/16; A63B 57/00;
A63B 69/38; A63B 49/08; A63B 53/14;
A63B 69/3632; A63B 69/0059; A63B
21/4021; A63B 21/4017; A63B 59/0014;
A63B 21/4025; A45F 5/00; A61J 9/06
See application file for complete search history.

(56) **References Cited**

U.S. PATENT DOCUMENTS

114,404 A *	5/1871	Brown, Jr.	A61C 19/006 224/217
855,016 A	5/1907	Orthwein	
2,476,489 A *	7/1949	Grandinetti	A63B 53/14 473/205
2,616,394 A *	11/1952	Elsinger	A01K 27/001 119/864
2,686,029 A *	8/1954	Raymond	E04H 12/32 248/201

2,710,190 A 6/1955 Schimansky
2,780,464 A 2/1957 Ashley
2,928,678 A 3/1960 Cutting
(Continued)

Primary Examiner — Caron D Veynar
Assistant Examiner — Mehri Bajoul
(74) *Attorney, Agent, or Firm* — Buchanan Ingersoll &
Rooney PC

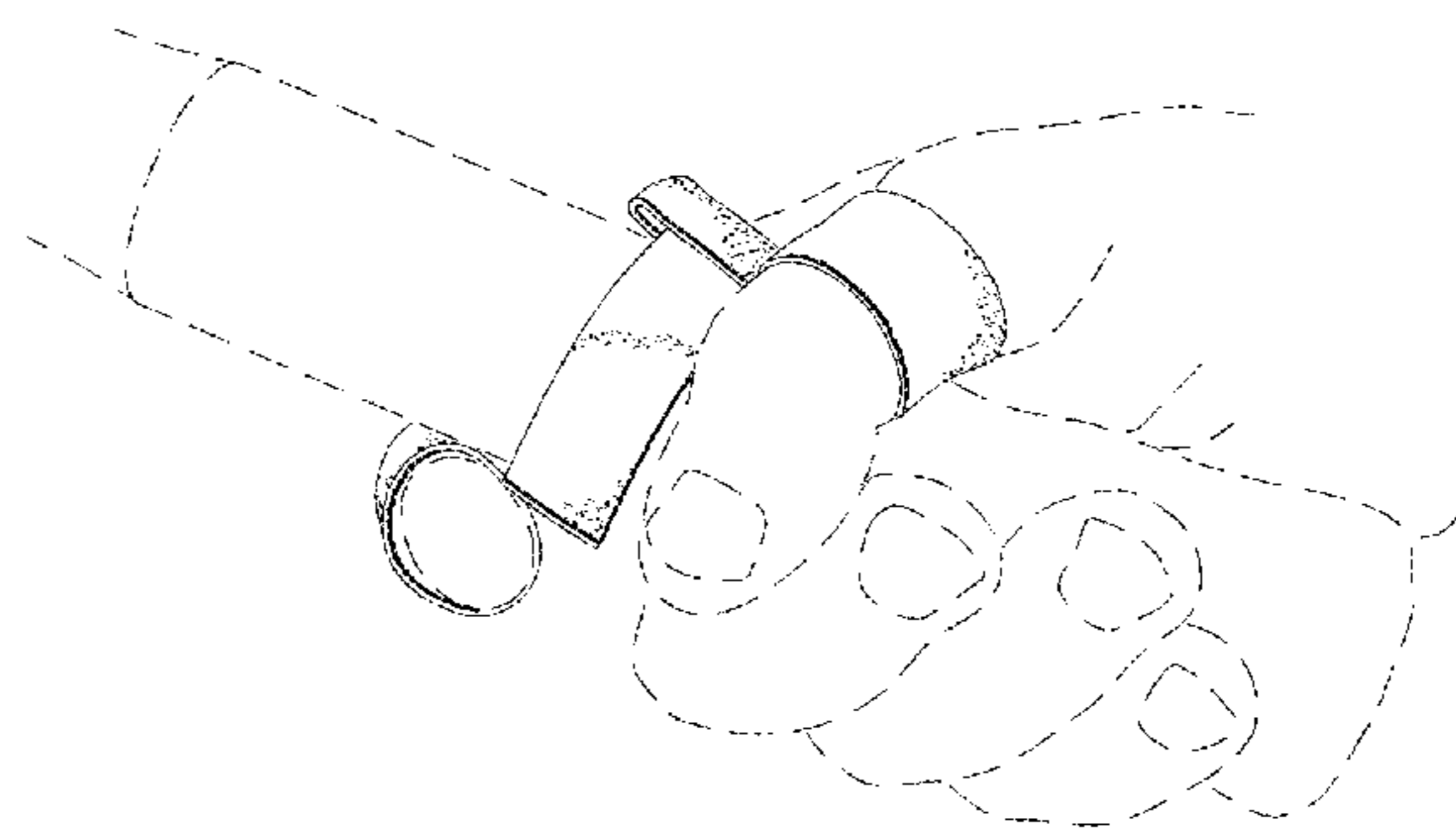
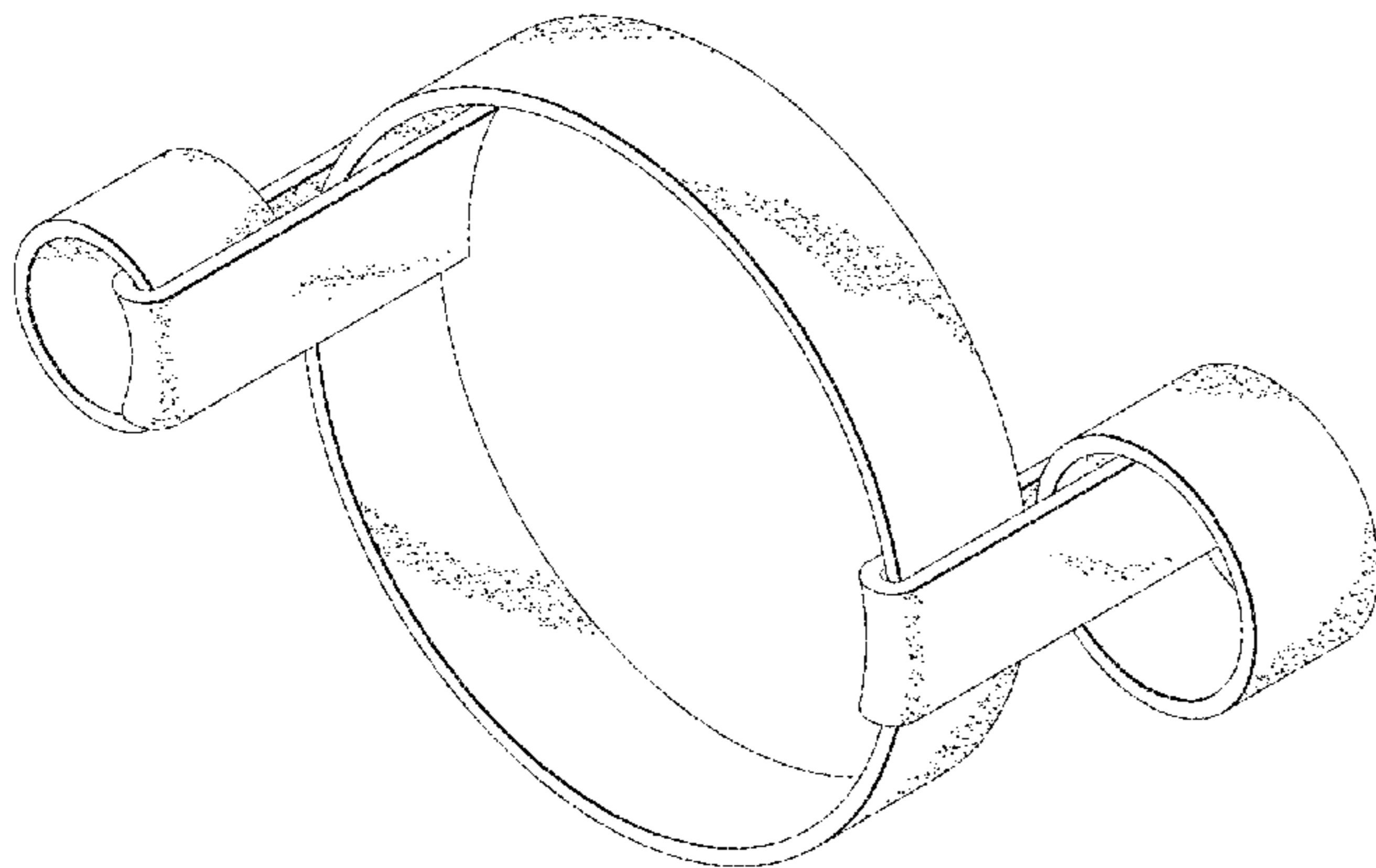
(57) **CLAIM**

The ornamental design for a gripping device, as shown and described.

DESCRIPTION

FIG. 1 is a top perspective view of our gripping device; FIG. 2 is a top view thereof, the bottom view being a mirror image thereof; FIG. 3 is a front view thereof, the rear view being a mirror image thereof; FIG. 4 is a right side view thereof; FIG. 5 is a left side view thereof; FIG. 6 is a side perspective view thereof in which the gripping device is on the handle of tennis racket being held by a user, both shown in broken line; FIG. 7 is a top view of a second embodiment of my gripping device having a single loop, the bottom view being a mirror image thereof; FIG. 8 is a front view of the embodiment shown in FIG. 7, the rear view being a minor image thereof; FIG. 9 is a left side view of the embodiment shown in FIGS. 7 and 8; and, FIG. 10 is a right side view of the embodiment shown in FIGS. 7 through 10. The racquet handle and hand shown in broken line in FIG. 6 illustrate manner of use and form no part of the claimed design.

1 Claim, 4 Drawing Sheets



(56)

References Cited

U.S. PATENT DOCUMENTS

3,918,721 A * 11/1975 Trask, Jr. A63B 69/3632
116/200
3,951,416 A * 4/1976 Koch A63B 69/0059
473/212
4,865,239 A * 9/1989 Timbrook A45F 5/00
224/220
5,082,156 A * 1/1992 Braun A45F 5/00
224/220
5,390,928 A * 2/1995 Salini A63B 21/4021
473/205
D357,801 S * 5/1995 Short D3/215
5,704,845 A 1/1998 Boyte
5,807,183 A 9/1998 Benson
5,957,515 A * 9/1999 Van Der Sluys A63H 33/00
224/218
D438,626 S * 3/2001 Broussard D24/199
D477,709 S * 7/2003 Natividad D3/215
6,945,874 B2 9/2005 Kelly
7,207,894 B2 4/2007 Pine
D541,943 S * 5/2007 Stewart D24/199
7,326,134 B2 * 2/2008 Collucci A63B 49/08
473/551

D596,747 S * 7/2009 Freeland D24/199
D638,899 S * 5/2011 Quinlan D21/791
8,128,045 B2 * 3/2012 Skaggs B60N 3/10
206/139
D697,217 S * 1/2014 Nasir D24/190
D697,218 S * 1/2014 Nasir D24/190
D697,219 S * 1/2014 Nasir D24/190
D714,142 S * 9/2014 Hojo D9/436
8,944,942 B2 * 2/2015 Oravec A63B 59/0014
473/518
8,979,664 B1 * 3/2015 Kovacs A63B 59/0029
473/201
D757,530 S * 5/2016 Straney D8/394
2005/0266942 A1 * 12/2005 Failla Colonnello
Seppi A63B 69/38
473/551
2009/0156332 A1 6/2009 Smith
2010/0056309 A1 * 3/2010 Aida A63B 49/08
473/551
2010/0287736 A1 * 11/2010 Ameduri A63B 49/08
16/430
2011/0028229 A1 * 2/2011 Oh A63B 53/14
473/205
2013/0190097 A1 * 7/2013 Shealy A63B 53/14
473/206

* cited by examiner

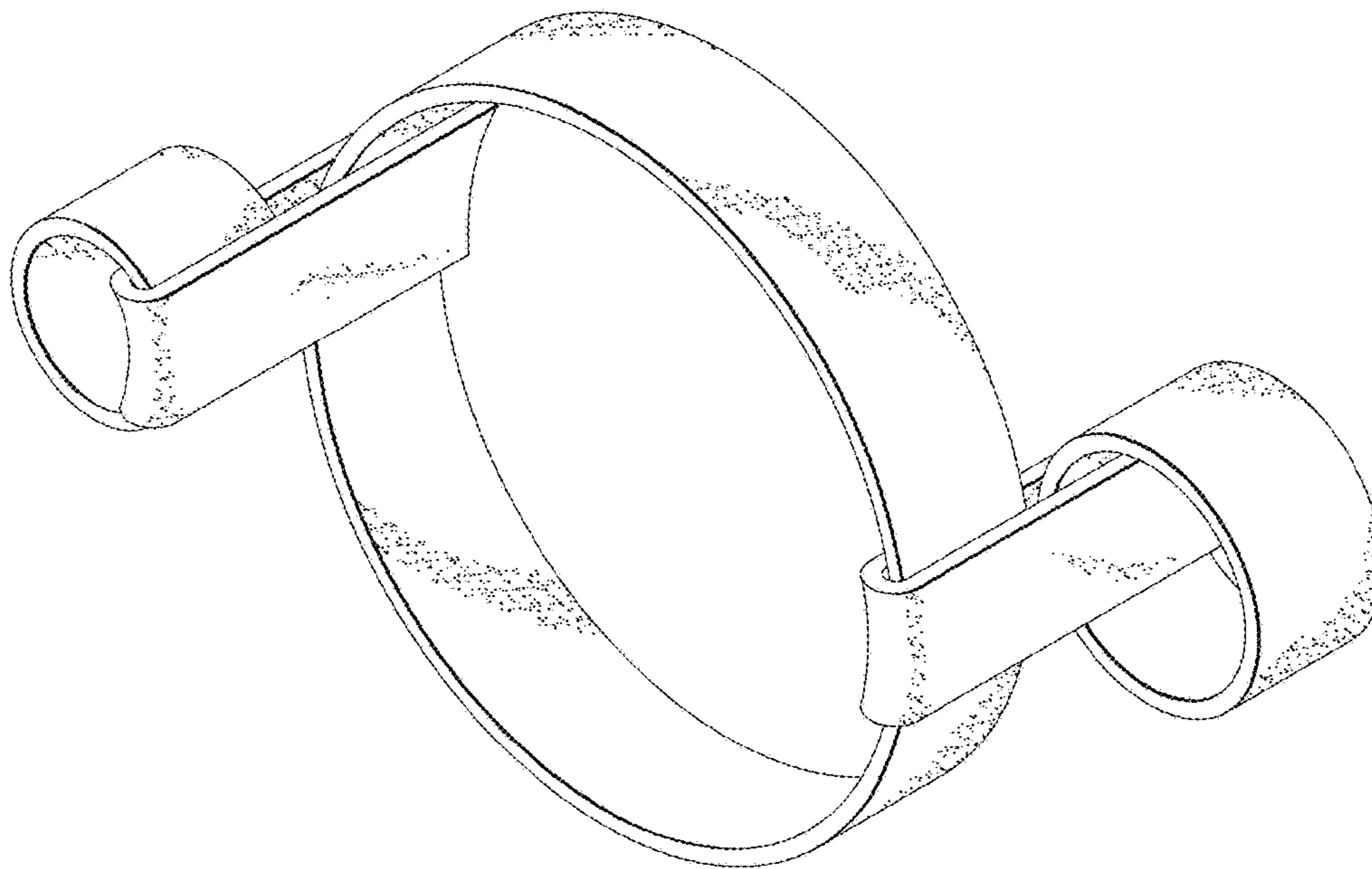


FIG. 1

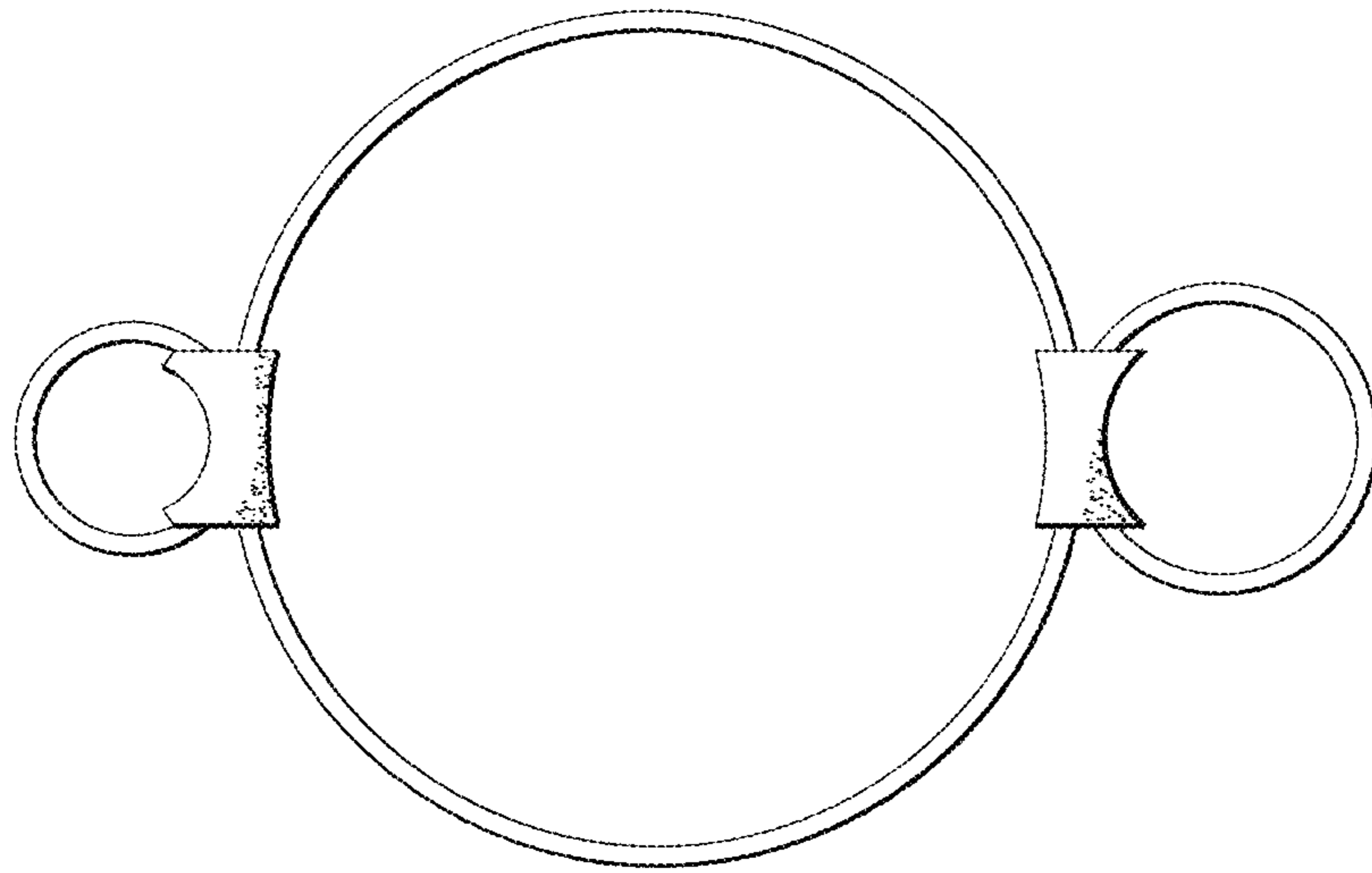


FIG. 2

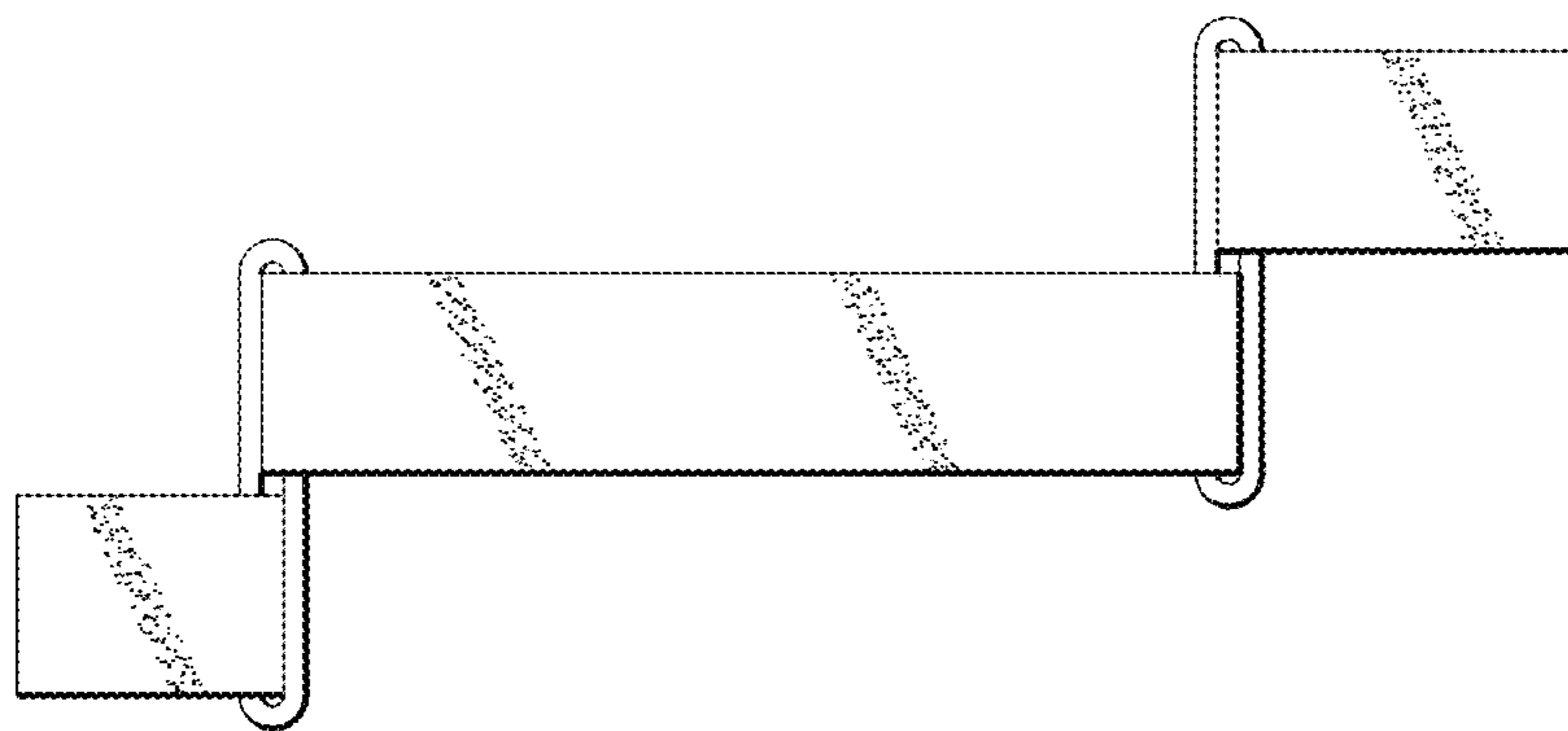


FIG. 3

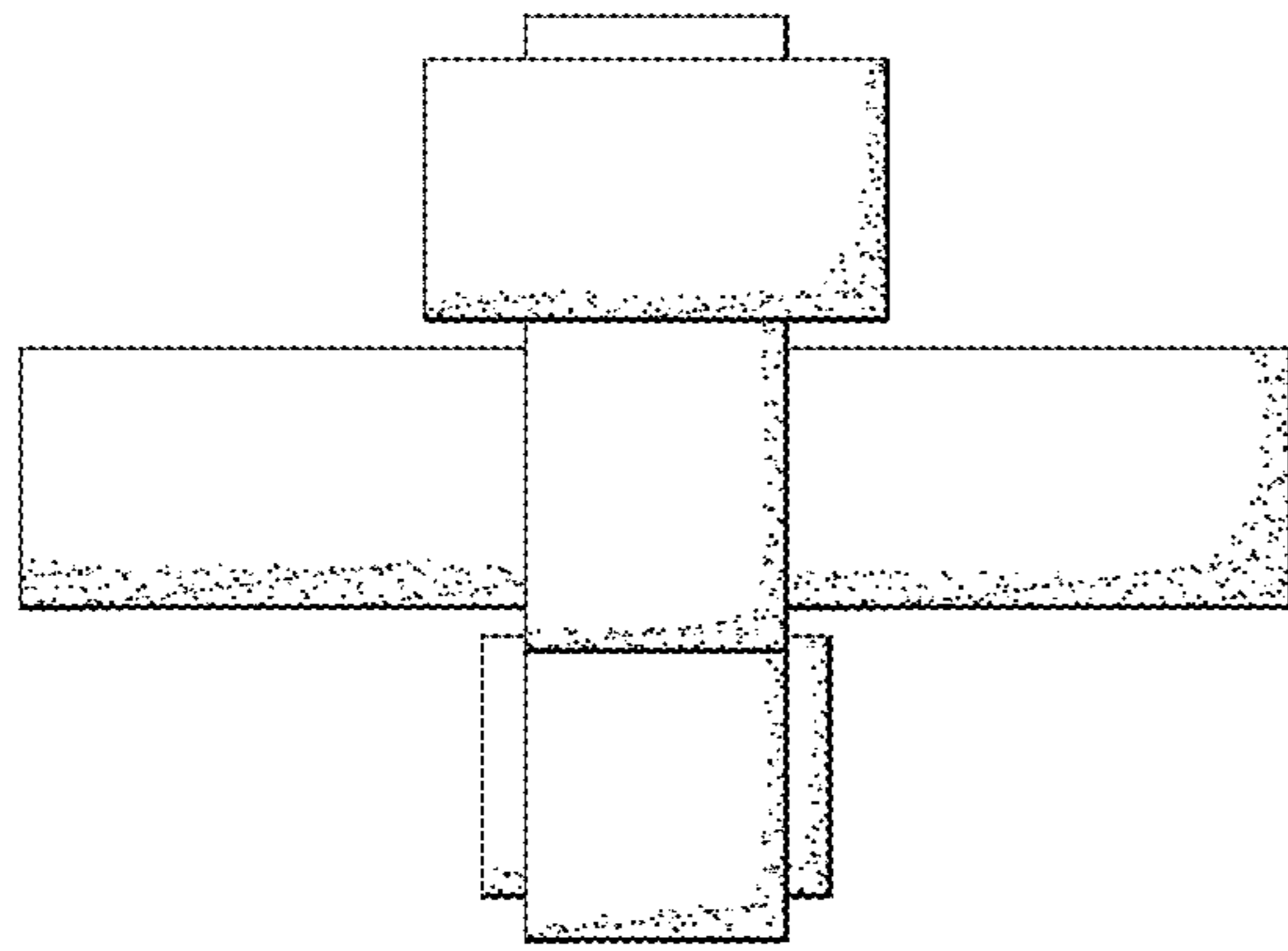


FIG. 4

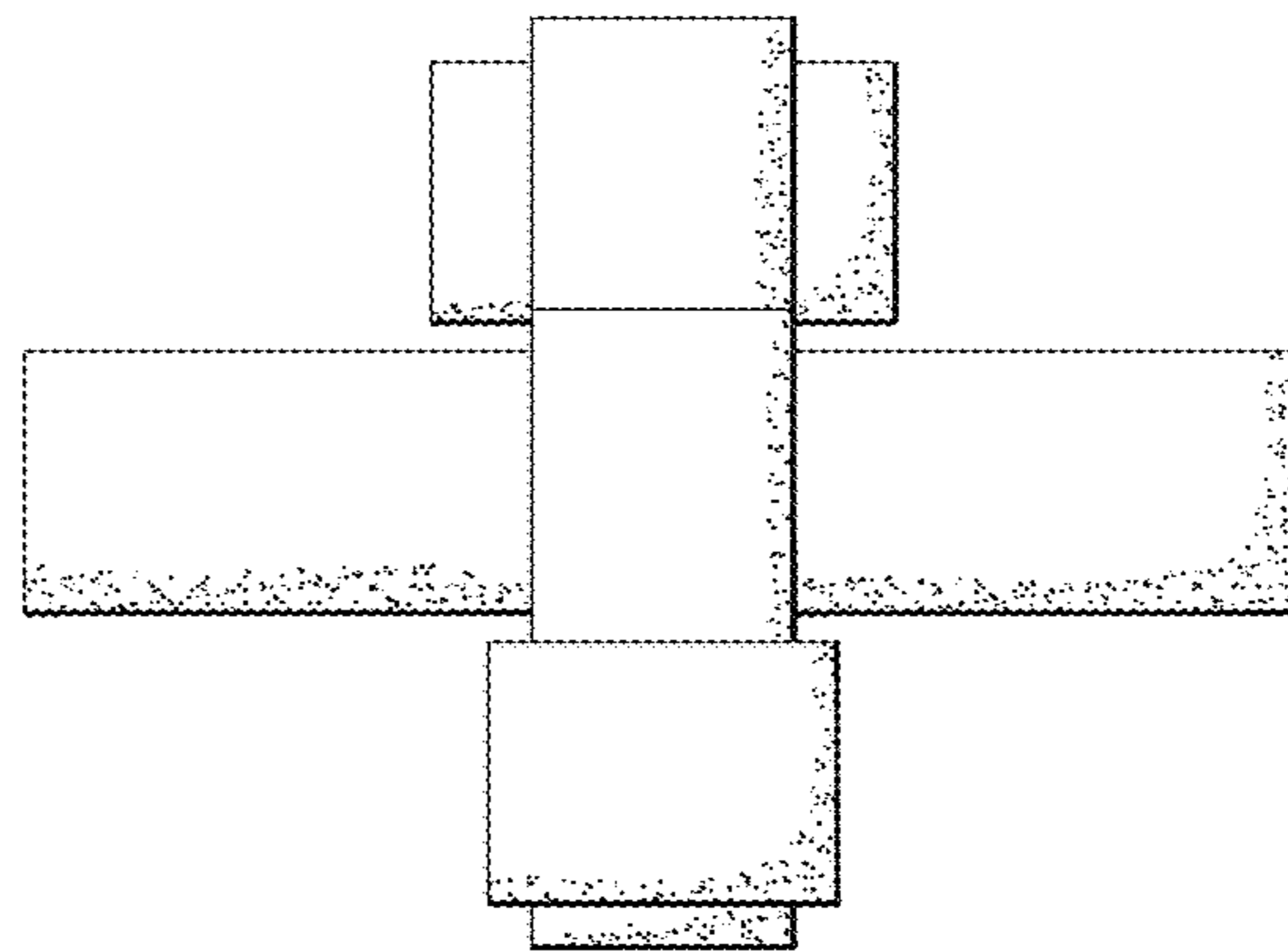


FIG. 5

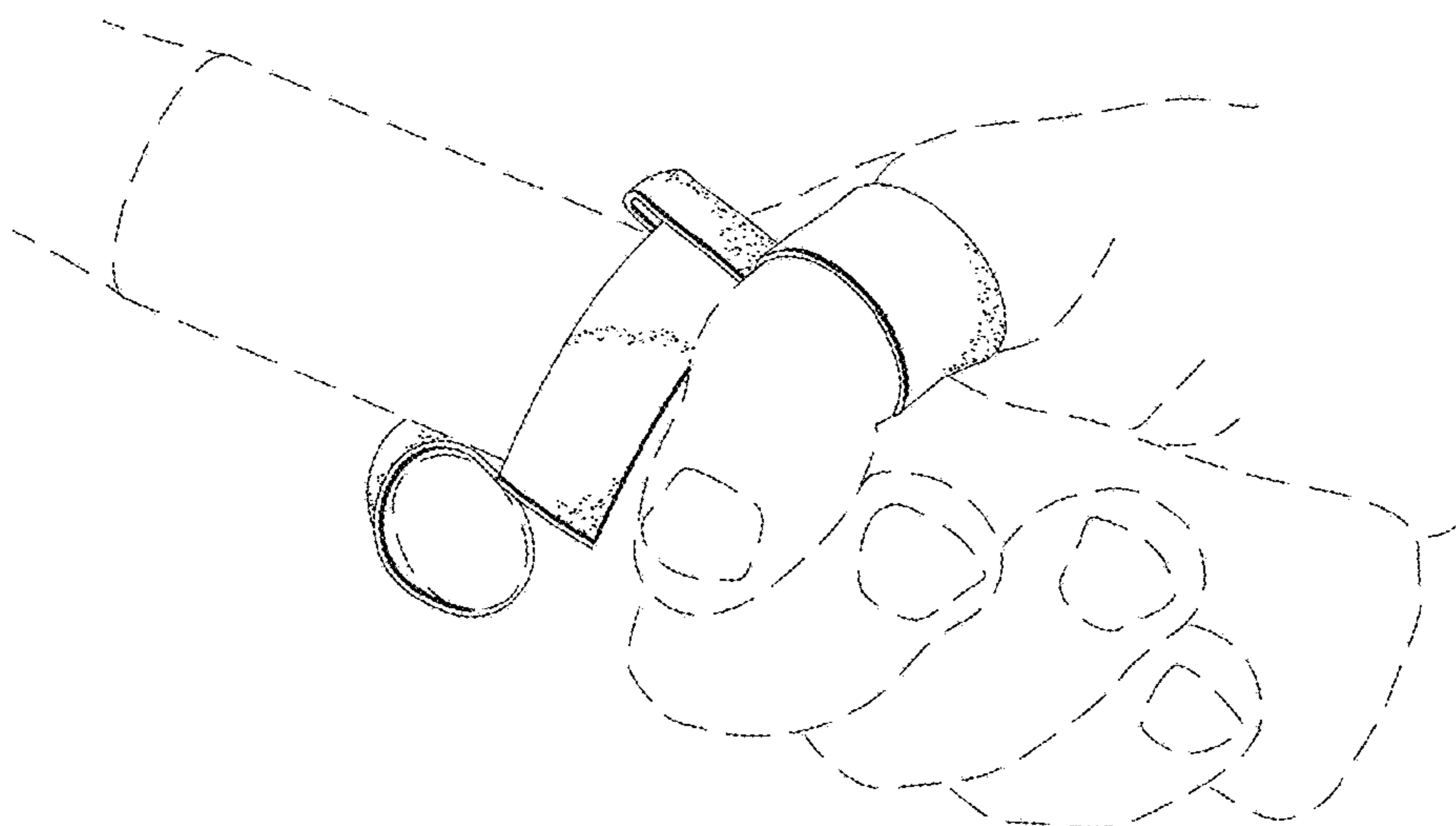


FIG. 6

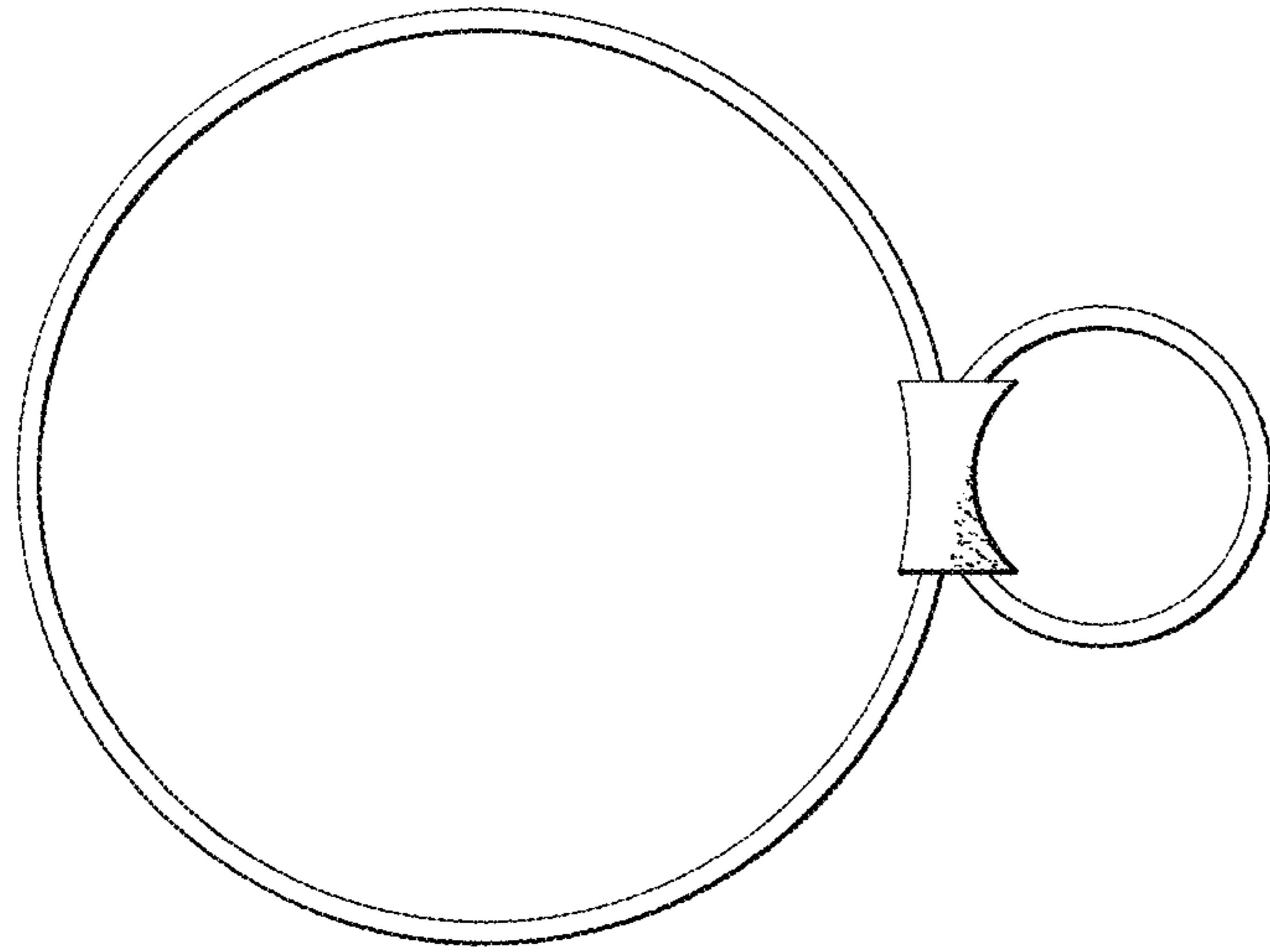


FIG. 7

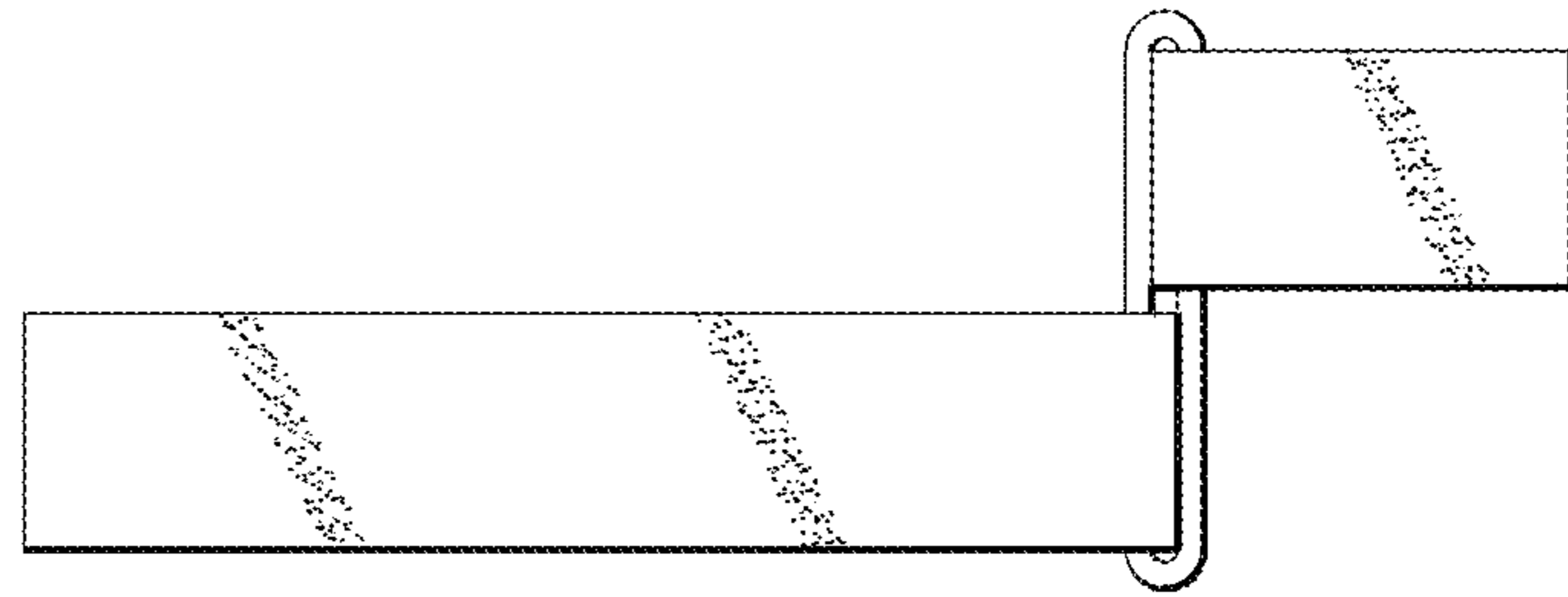


FIG. 8

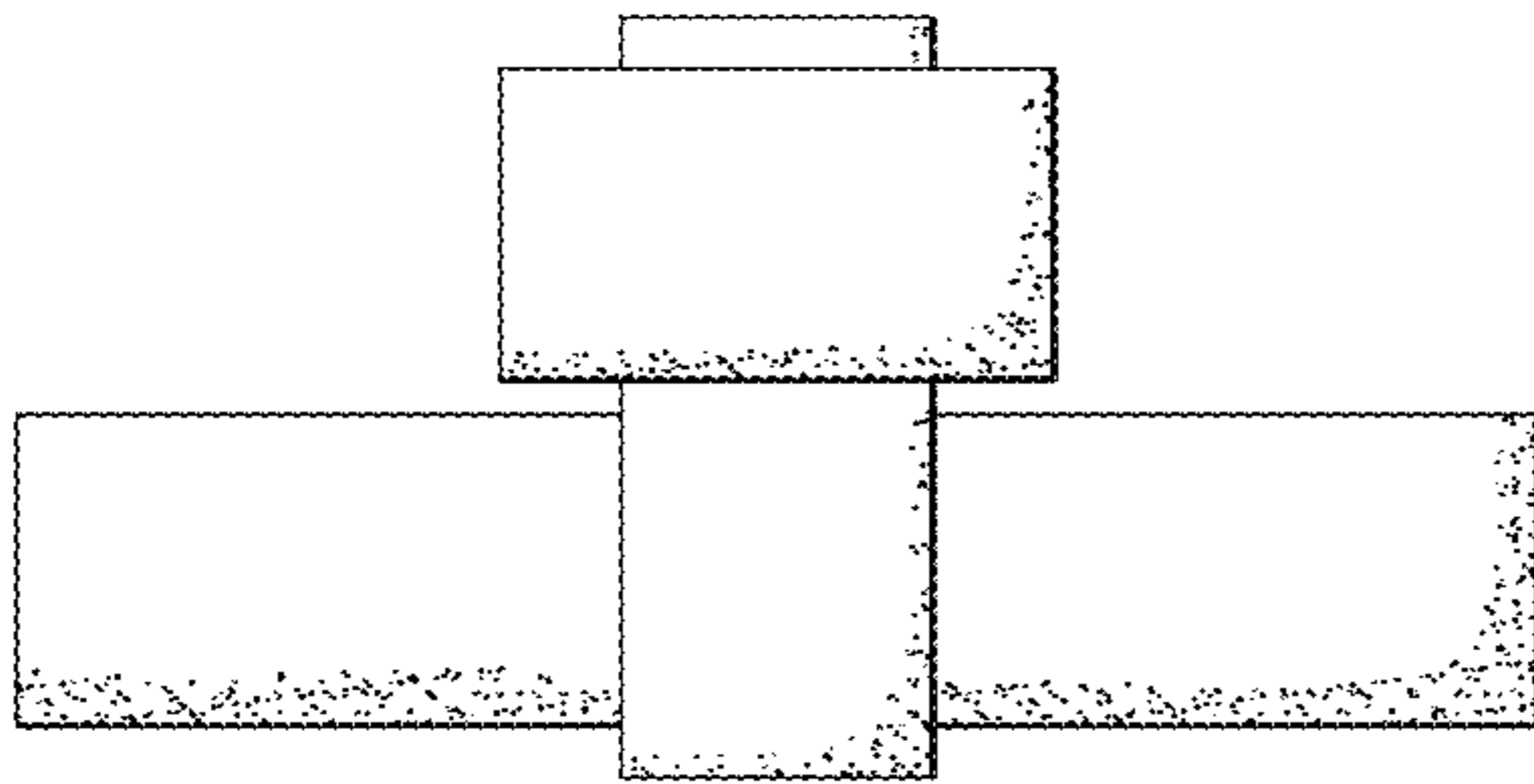


FIG. 9

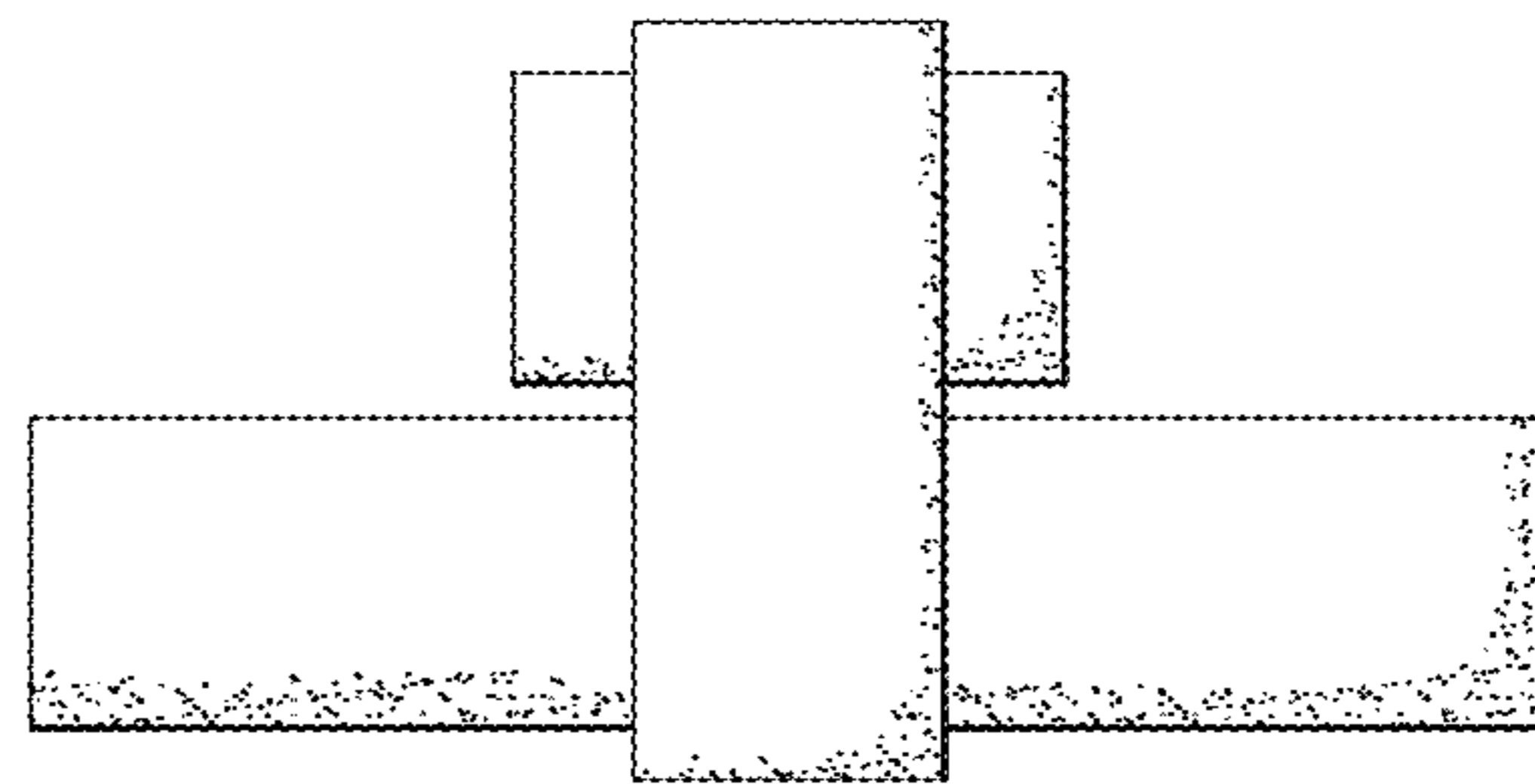


FIG. 10