



US00D782588S

(12) **United States Design Patent**
Fryer et al.

(10) **Patent No.:** **US D782,588 S**
(45) **Date of Patent:** **** Mar. 28, 2017**

- (54) **PROJECTILE LAUNCHING DEVICE**
- (71) Applicant: **SYMTAR VENTURES**, Mt. Shasta, CA (US)
- (72) Inventors: **John Cornelius Fryer**, Mt. Shasta, CA (US); **Christopher Paul Zaler**, Los Gatos, CA (US)
- (73) Assignee: **SYMTAR VENTURES**, Mt. Shasta, CA (US)
- (**) Term: **15 Years**
- (21) Appl. No.: **29/553,729**
- (22) Filed: **Feb. 4, 2016**
- (51) **LOC (10) Cl.** **21-02**
- (52) **U.S. Cl.**
USPC **D21/722**
- (58) **Field of Classification Search**
USPC D21/722; D30/160
CPC A63B 65/00; A63B 65/12; A63B 65/122;
A63B 65/125; A63B 59/20; A63B 60/08;
A63B 60/10; A63B 60/12
See application file for complete search history.

- (56) **References Cited**
U.S. PATENT DOCUMENTS
- 534,996 A * 3/1895 Cundy A63B 65/125
473/511
- 1,585,446 A * 5/1926 Warwick A63B 59/20
124/5
- 3,428,036 A * 2/1969 Parker A63B 59/20
124/41.1
- 3,589,349 A * 6/1971 Parker A63B 59/20
124/41.1
- D424,640 S * 5/2000 Oblack D21/722
- 6,076,829 A * 6/2000 Oblack A63B 59/20
124/5

- 6,477,745 B2 * 11/2002 Strebl A63B 59/20
24/11 R
- D484,938 S * 1/2004 Tu D21/789
- D525,326 S * 7/2006 Green D21/722
- D525,670 S * 7/2006 Green D21/722
- D554,717 S * 11/2007 McKinnell D21/722
- 7,686,001 B2 * 3/2010 Fitt A63B 59/20
124/5
- D630,277 S * 1/2011 McKinnell D21/722
- D637,248 S * 5/2011 Levin D21/722
- D640,338 S * 6/2011 Oblack D21/722
- D655,359 S * 3/2012 Thorogood D21/722
- D666,686 S * 9/2012 Burger D21/722
- D674,851 S * 1/2013 Osborne D21/722
- D737,911 S * 9/2015 Dorsey D21/722
- 2002/0028712 A1 3/2002 Williamson
- 2015/0007803 A1 1/2015 Van Alan et al.

(Continued)

Primary Examiner — Mitchell Siegel
(74) *Attorney, Agent, or Firm* — Jerry Haynes Law

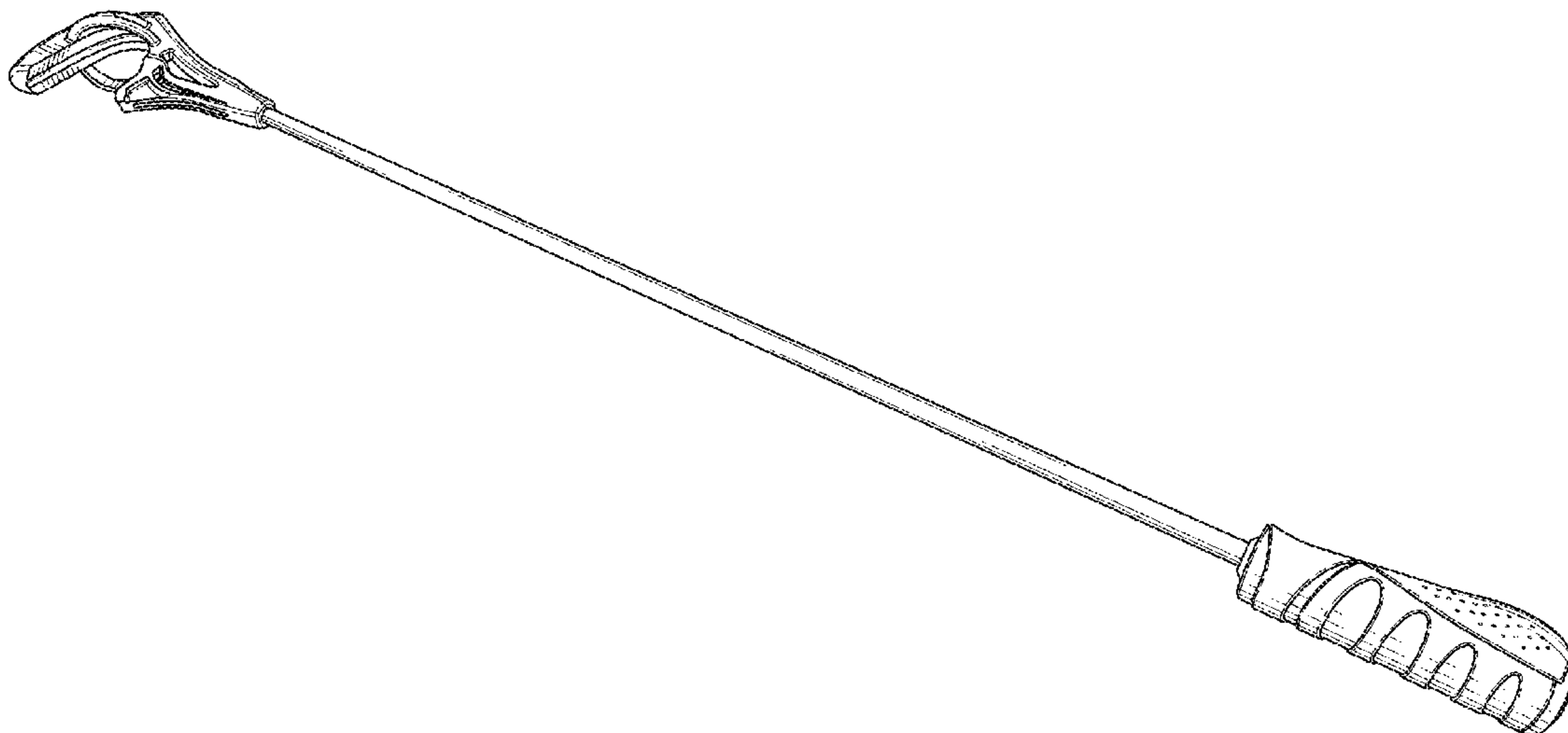
(57) **CLAIM**

The ornamental design for a projectile launching device, as shown and described.

DESCRIPTION

FIG. 1 is a left side perspective view of a projectile launching device showing the new design;
FIG. 2 is a front view thereof;
FIG. 3 is a rear view thereof;
FIG. 4 is a left side view thereof;
FIG. 5 is a right side view thereof;
FIG. 6 is a top view thereof;
FIG. 7 is a bottom thereof; and,
FIG. 8 is a perspective view of the projectile launching device in the context in which it is intended to be used, the dashed line structure being provided for purposes of environment and forming no part of the claimed design.

1 Claim, 4 Drawing Sheets



(56)

References Cited

U.S. PATENT DOCUMENTS

2015/0013653 A1 1/2015 Clarke et al.
2015/0018129 A1 1/2015 Van Alan et al.

* cited by examiner

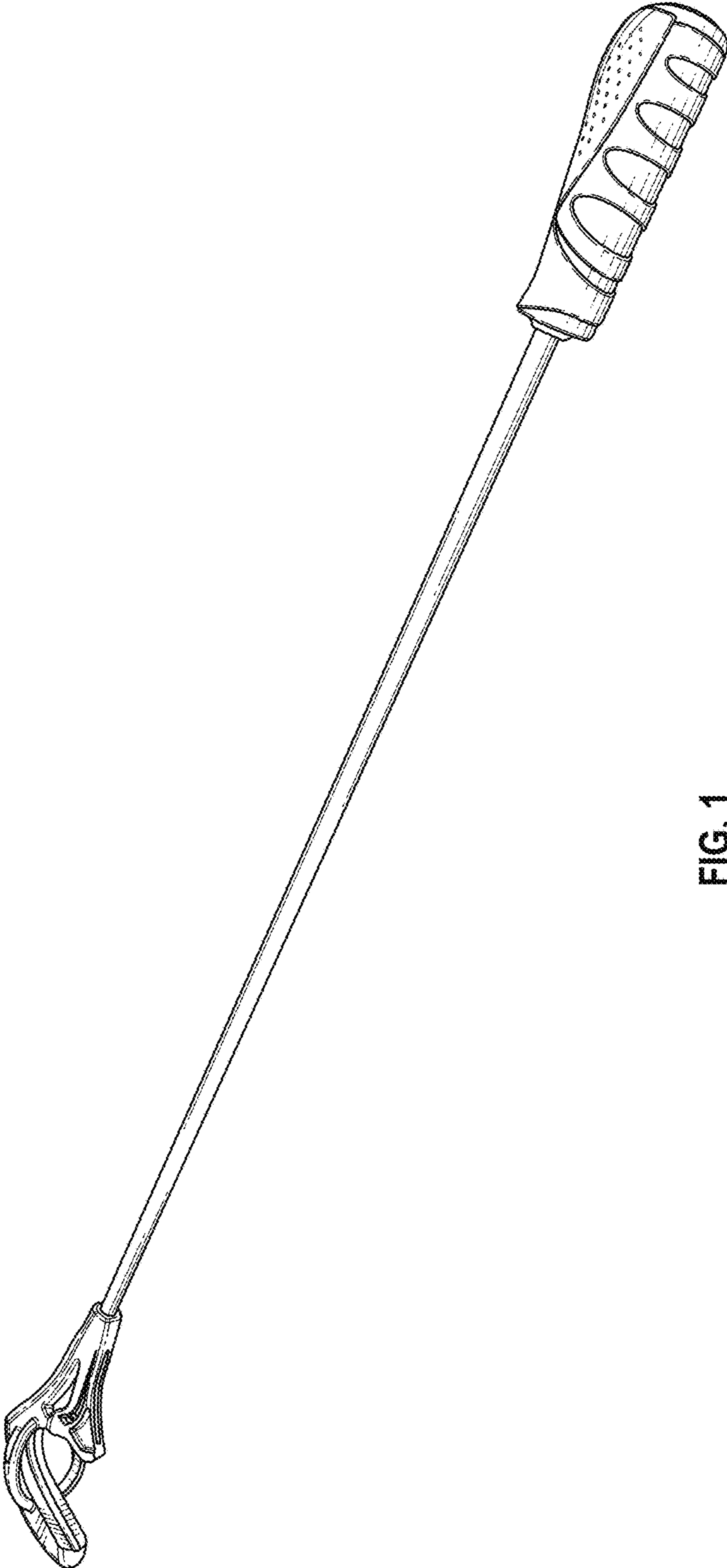


FIG. 1

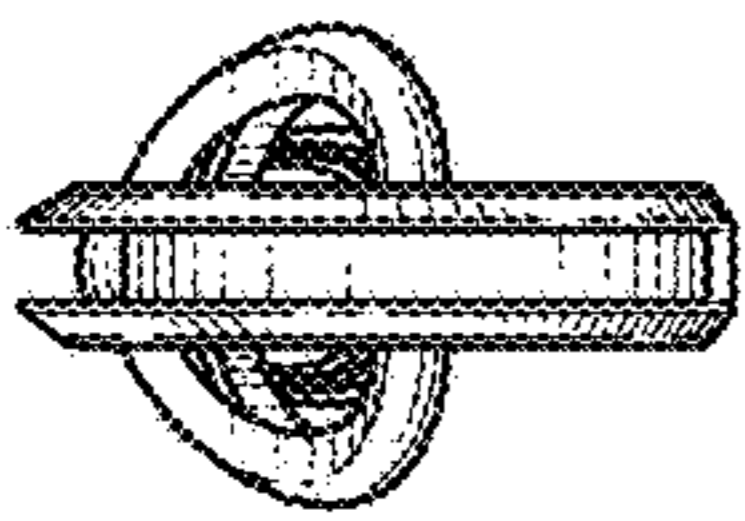


FIG. 2

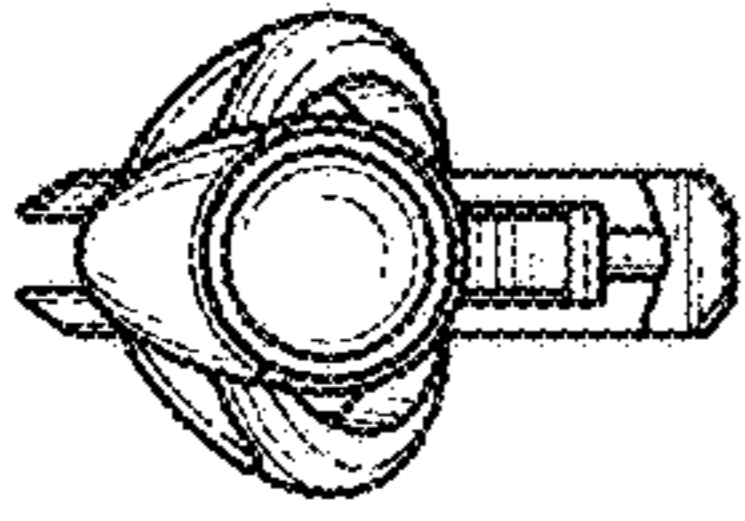


FIG. 3

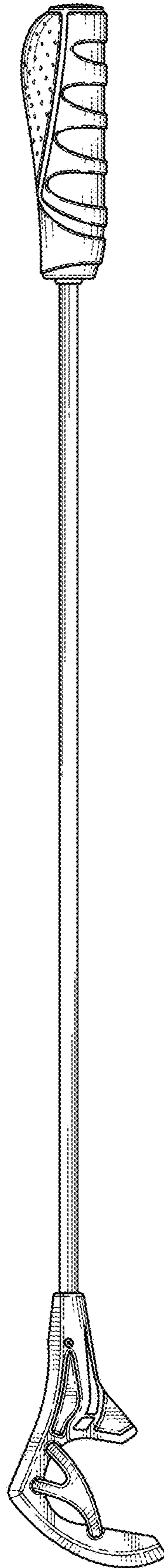


FIG. 4

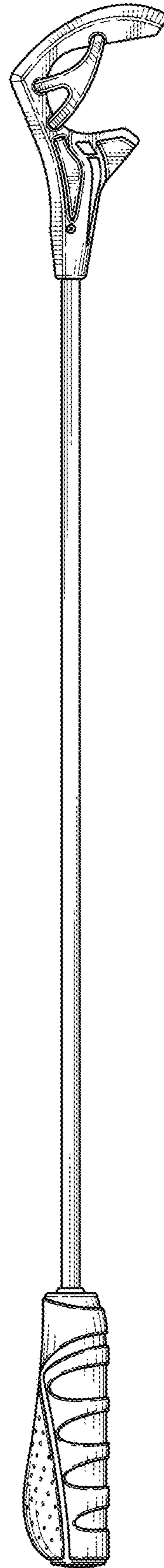


FIG. 5

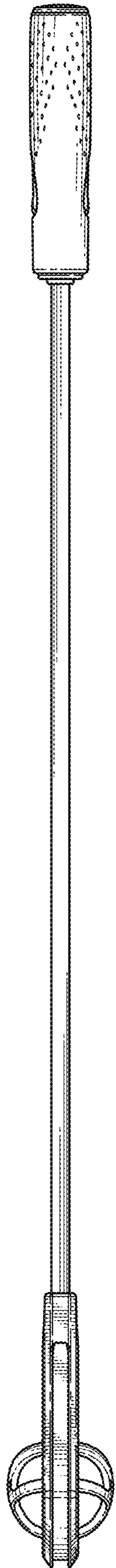


FIG. 6

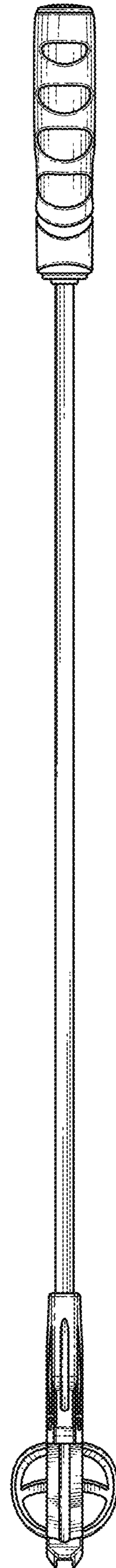


FIG. 7

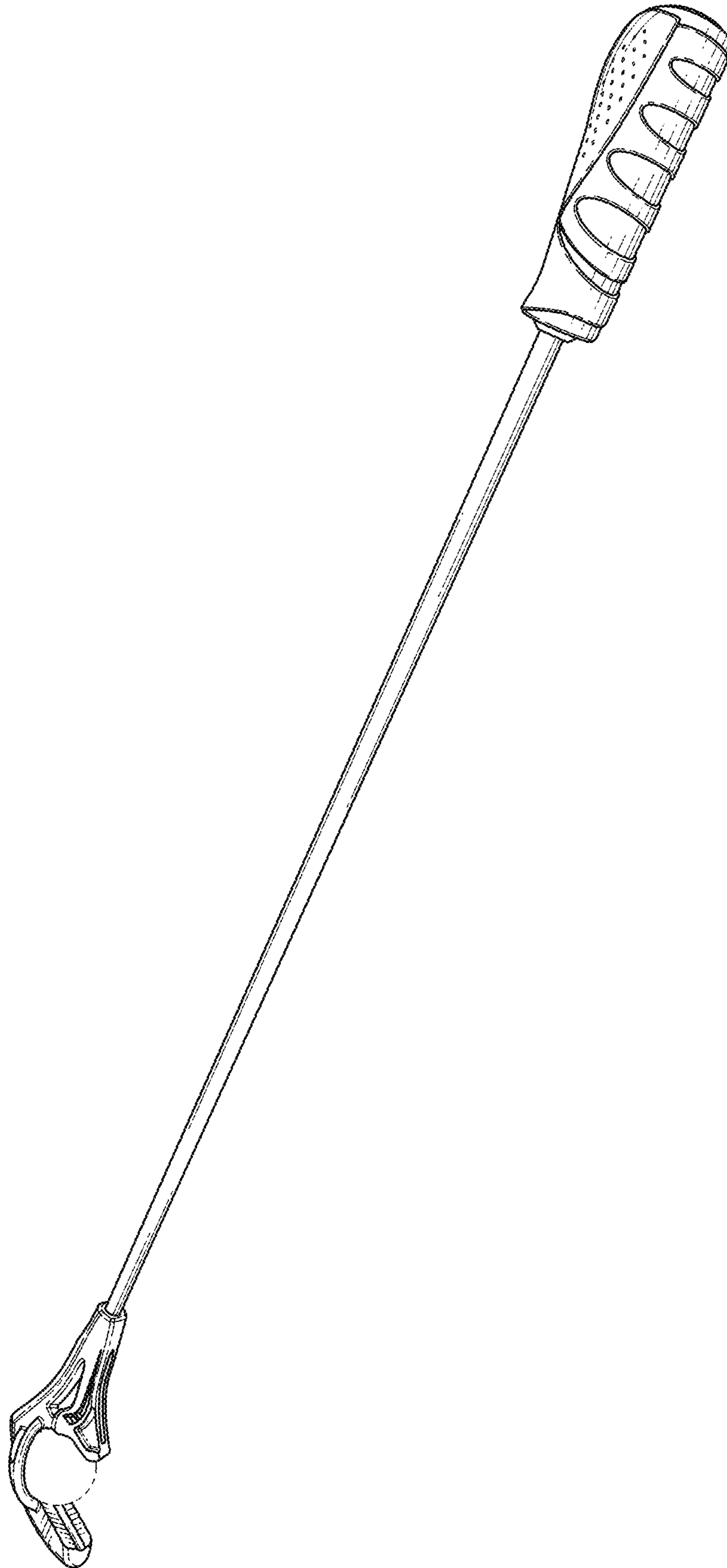


FIG. 8