



US00D782587S

(12) **United States Design Patent** (10) **Patent No.:** **US D782,587 S**  
**Carroll, Jr. et al.** (45) **Date of Patent:** **\*\* Mar. 28, 2017**

- (54) **GOLF TEE**
- (71) Applicant: **Green Keepers, Inc.**, Philadelphia, PA (US)
- (72) Inventors: **James Carroll, Jr.**, Philadelphia, PA (US); **Francis Carroll**, Philadelphia, PA (US)
- (73) Assignee: **Green Keepers, Inc.**, Philadelphia, PA (US)

3,414,268 A 12/1968 Chase  
 3,633,919 A 1/1972 Liccardello  
 3,645,537 A 2/1972 Parenteau  
 (Continued)

FOREIGN PATENT DOCUMENTS

EP 1072291 1/2001  
 GB 2059748 \* 2/1997  
 (Continued)

OTHER PUBLICATIONS

Advertisement for "Zero Friction Golf Tee," retrieved from www.zerofrictiontees.com on Aug. 28, 2008.

(Continued)

- (\*\*) Term: **15 Years**
- (21) Appl. No.: **29/547,623**
- (22) Filed: **Dec. 4, 2015**
- (51) **LOC (10) Cl.** ..... **21-02**
- (52) **U.S. Cl.**  
USPC ..... **D21/718**
- (58) **Field of Classification Search**  
USPC ..... D21/715-721, 789, 793, 794  
CPC ..... A63B 47/00; A63B 57/10-57/19  
See application file for complete search history.

*Primary Examiner* — Catherine Tuttle  
 (74) *Attorney, Agent, or Firm* — Blank Rome LLP;  
 Michael C. Greenbaum; Tara L. Marcus

(57) **CLAIM**

The ornamental design for a golf tee, as shown and described.

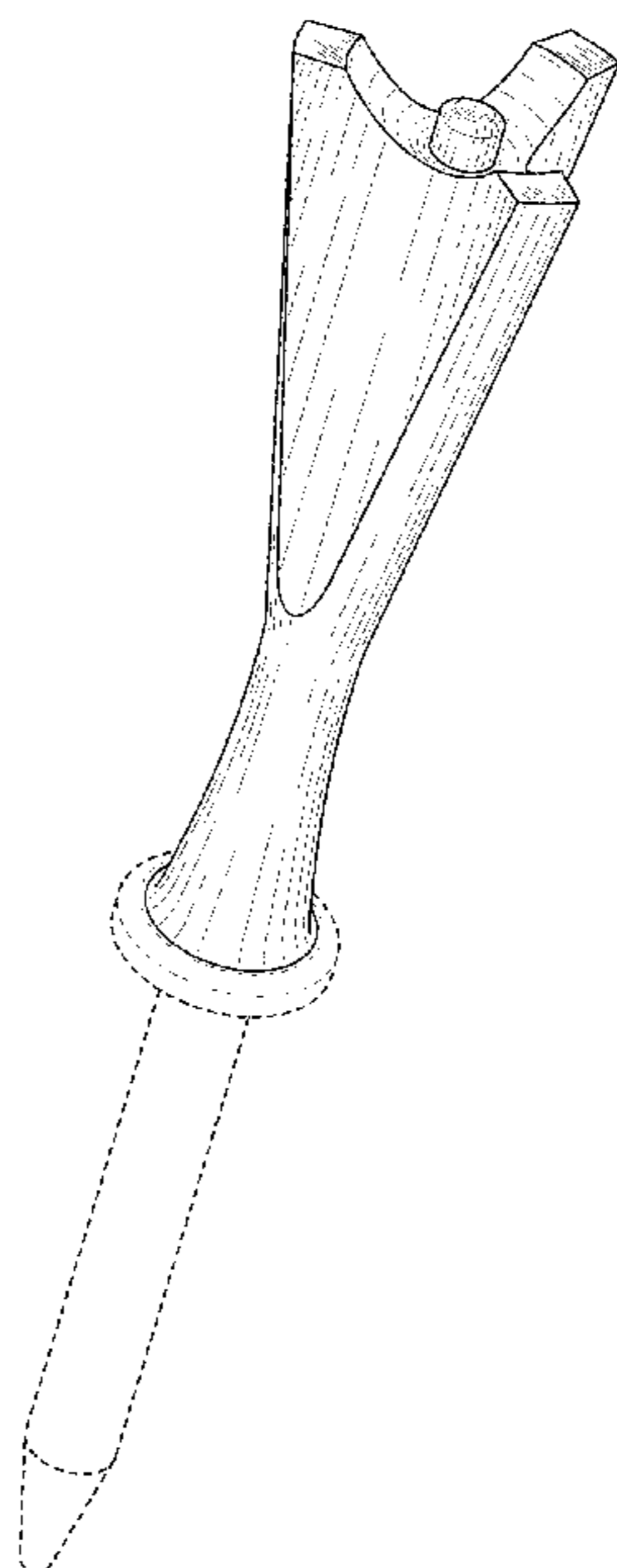
**DESCRIPTION**

FIG. 1 is a perspective view of a golf tee in accordance with the present design;  
 FIG. 2 is a front view of the golf tee illustrated in FIG. 1;  
 FIG. 3 is a rear view of the golf tee illustrated in FIG. 1;  
 FIG. 4 is a right side view of the golf tee illustrated in FIG. 1;  
 FIG. 5 is a left side view of the golf tee illustrated in FIG. 1;  
 FIG. 6 is a top view of the golf tee illustrated in FIG. 1; and,  
 FIG. 7 is a bottom view of the golf tee illustrated in FIG. 1.  
 The broken lines in the figures show unclaimed detail.

**1 Claim, 4 Drawing Sheets**

(56) **References Cited**  
 U.S. PATENT DOCUMENTS

638,920 A	12/1899	Grant	
1,551,207 A	8/1925	Nial et al.	
1,554,321 A	9/1925	Banigan	
1,573,911 A	2/1926	Budrow	
1,588,038 A	6/1926	Miller	
1,643,113 A *	9/1927	Clark	A63B 57/10 473/400
1,679,579 A	8/1928	Lundy	
D78,530 S	5/1929	McLeod	
2,531,470 A	11/1950	Richard	
D200,543 S	3/1965	Thornte	



(56)

References Cited

U.S. PATENT DOCUMENTS

3,656,245 A 4/1972 Wilson  
 3,672,077 A 6/1972 Coles  
 3,818,617 A 6/1974 Dassler et al.  
 4,309,376 A 1/1982 Ueno et al.  
 4,327,503 A 5/1982 Johnson  
 4,330,950 A 5/1982 Reddien  
 4,366,632 A 1/1983 Bente et al.  
 4,375,728 A 3/1983 Dassler et al.  
 4,392,312 A 7/1983 Crowley et al.  
 D271,509 S \* 11/1983 Hanson ..... D21/718  
 4,527,345 A 7/1985 Lopez Lopez et al.  
 4,787,637 A \* 11/1988 Lima ..... A63B 57/10  
 473/396  
 4,837,949 A 6/1989 Dufour et al.  
 4,885,851 A 12/1989 Peterson  
 D315,766 S \* 3/1991 Lemon ..... D21/718  
 D346,190 S \* 4/1994 Folker ..... D21/718  
 5,372,362 A 12/1994 Barker  
 5,413,348 A 5/1995 Basso  
 D369,845 S 5/1996 Knez  
 5,581,913 A 12/1996 Kataoka et al.  
 D393,301 S \* 4/1998 Koskela ..... D21/718  
 5,759,118 A 6/1998 Sroczynski  
 6,186,907 B1 \* 2/2001 Woodward ..... A63B 57/10  
 473/398  
 D485,317 S \* 1/2004 Cardarelli ..... D21/718  
 D488,525 S \* 4/2004 Cardarelli ..... D21/718  
 6,849,008 B1 2/2005 Wang  
 D516,146 S 2/2006 Iacono et al.  
 7,011,586 B2 3/2006 Toyosawa et al.  
 7,090,594 B2 8/2006 Kawashima et al.  
 7,156,758 B2 1/2007 Lu  
 D542,366 S \* 5/2007 Iacono ..... D21/717  
 D543,597 S 5/2007 Lee et al.  
 7,344,456 B2 3/2008 Hayton  
 D566,802 S 4/2008 Carroll et al.  
 D573,210 S \* 7/2008 Gies ..... D21/718  
 7,704,166 B2 4/2010 Lim  
 D695,861 S \* 12/2013 MacKeen ..... D21/718  
 D715,877 S \* 10/2014 Carroll ..... D21/718  
 2002/0198066 A1 12/2002 Salsman  
 2004/0166964 A1 8/2004 Toyosawa et al.

2005/0003907 A1 1/2005 Ijiri  
 2005/0130769 A1 6/2005 Olsen  
 2005/0187041 A1 8/2005 Kawashima et al.  
 2006/0276269 A1 12/2006 Kihara  
 2007/0149324 A1 6/2007 Tsai  
 2007/0298910 A1 12/2007 Potempa et al.  
 2008/0070724 A1 3/2008 Elder  
 2008/0119305 A1 5/2008 Wong  
 2008/0182684 A1 7/2008 Carroll et al.  
 2010/0173731 A1 \* 7/2010 Schneider ..... A63B 57/10  
 473/403  
 2012/0028734 A1 2/2012 MacKeen  
 2012/0264543 A1 \* 10/2012 Ward ..... A63B 57/10  
 473/389  
 2013/0337944 A1 \* 12/2013 Lee ..... A63B 57/00  
 473/396  
 2014/0228154 A1 \* 8/2014 Carroll ..... B29C 45/14336  
 473/400

FOREIGN PATENT DOCUMENTS

JP 04189374 7/1992  
 JP 2005021611 A 1/2005  
 JP 2005296330 10/2005  
 JP 2006341016 A 12/2006  
 JP D1333424 \* 6/2008  
 KR 20010099365 11/2001  
 KR 200339010 1/2004  
 WO WO-2005003907 A2 1/2005  
 WO WO-2005/032668 4/2005

OTHER PUBLICATIONS

Microfilmed Text of Japanese Utility Model Application No. SHO 47-117361 (Japanese Utility Model Public Disclosure No. SHO 49-73560).  
 Microfilmed Text of Utility Model Application No. HEI 2-59955 (Japanese Utility Model Public Disclosure No. HEI 4-18553) published Feb. 17, 1992.  
 Japanese Patent Public Disclosure No. 2005-296330.  
 Microfilmed Text of Utility Model Application Disclosure No. SHO 48-73686 (Japanese Utility Model Public Disclosure No. SHO 50-20773).

\* cited by examiner

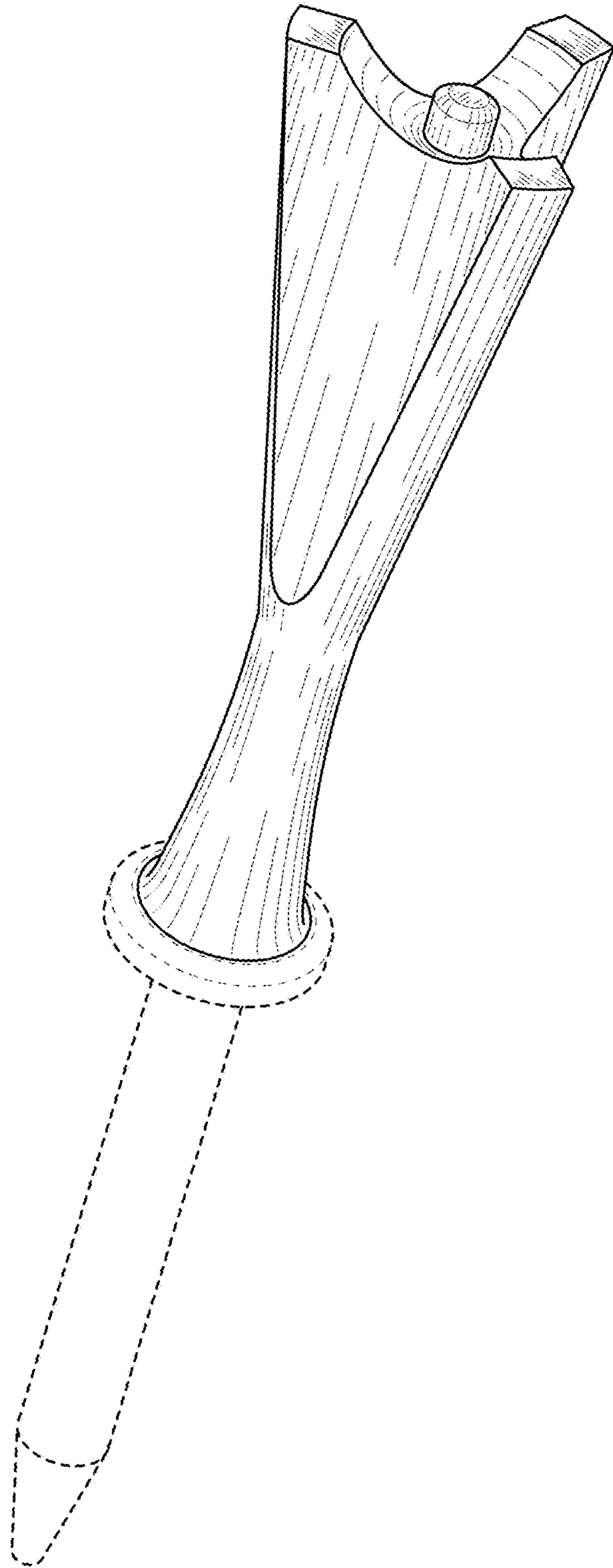


FIG. 1

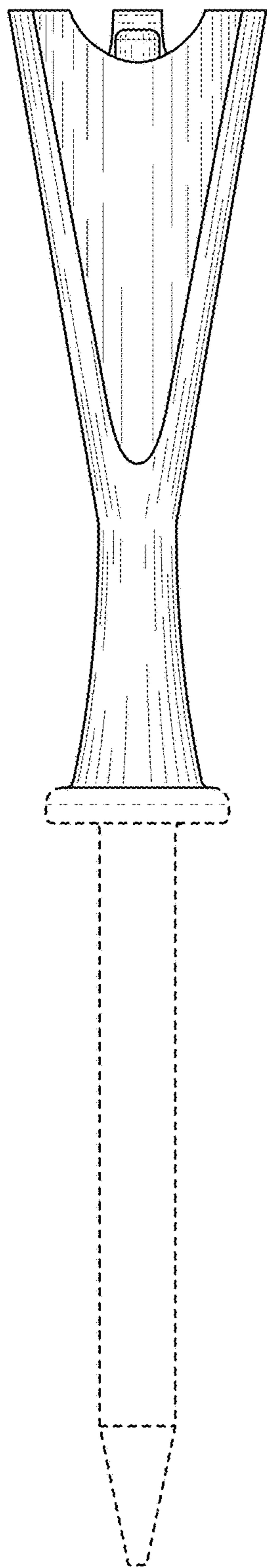


FIG. 2

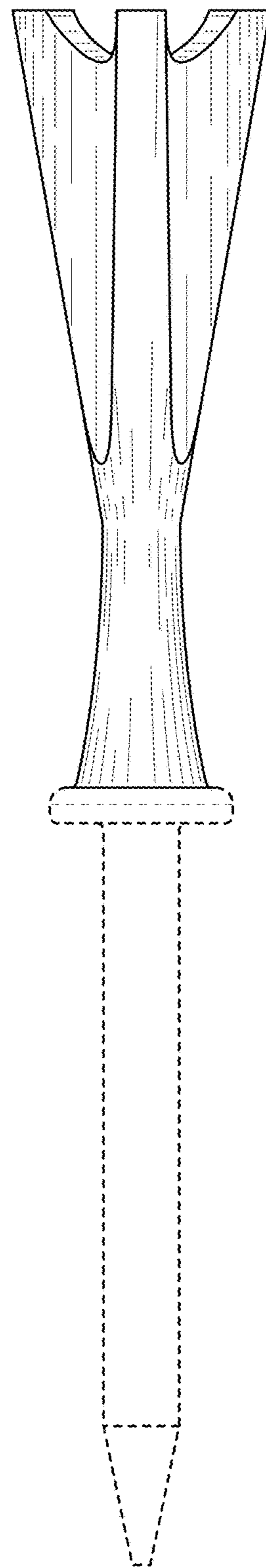


FIG. 3



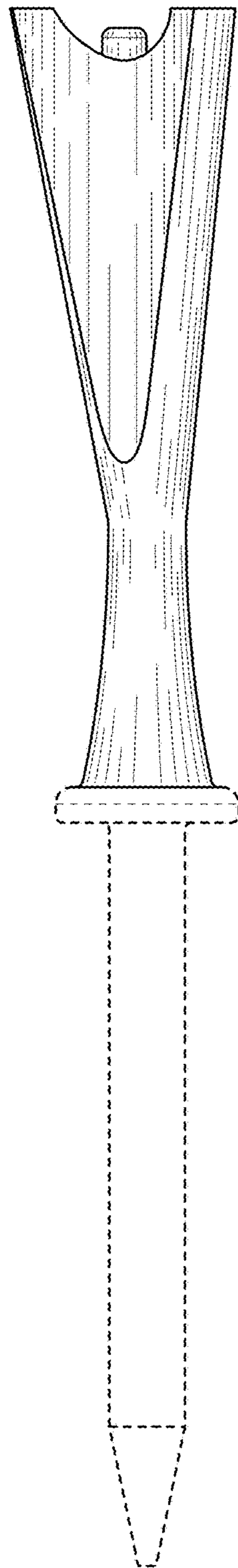


FIG. 4

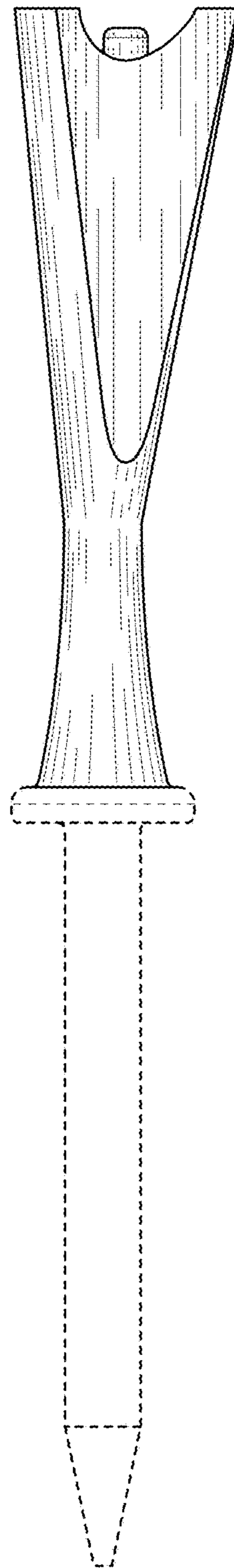


FIG. 5

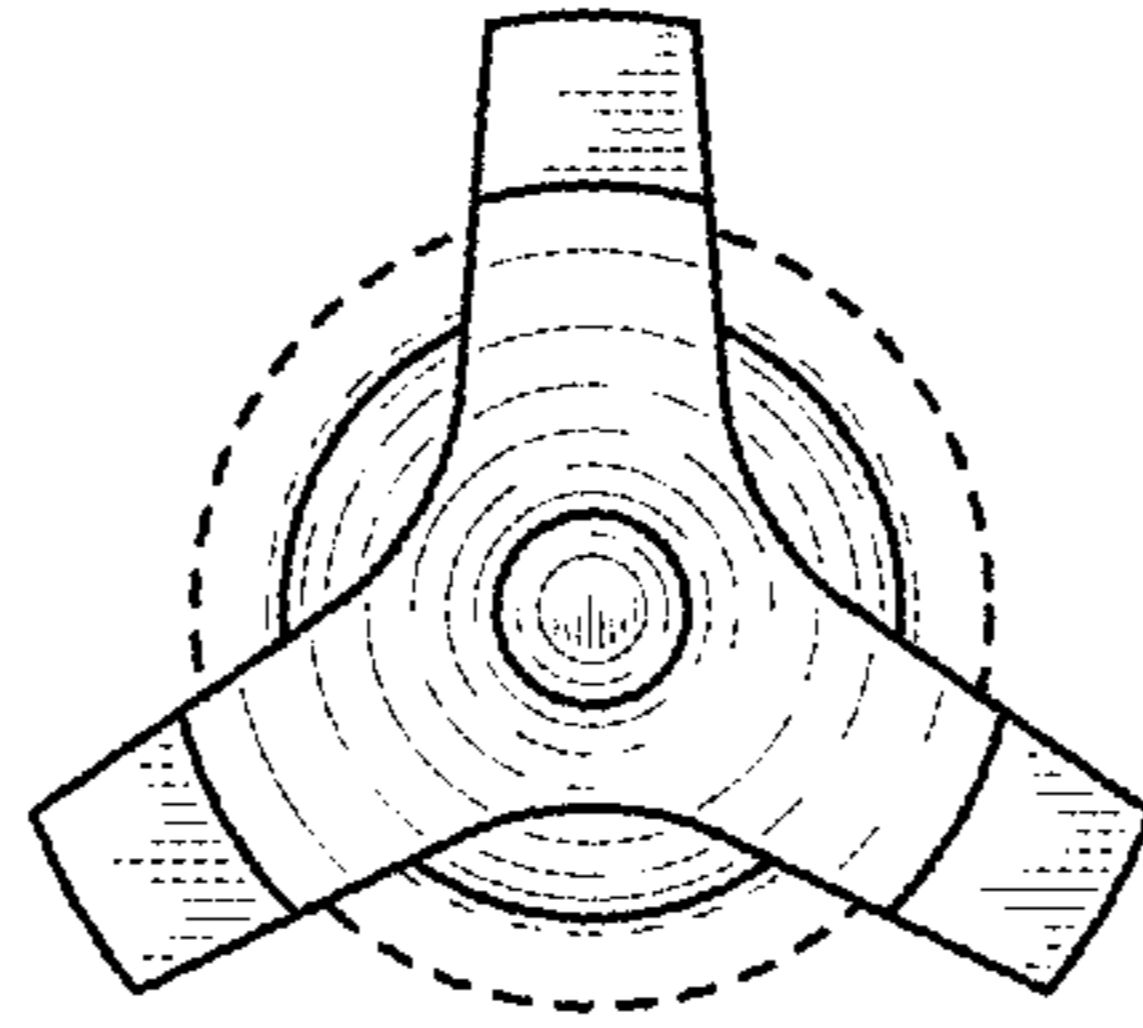


FIG. 6

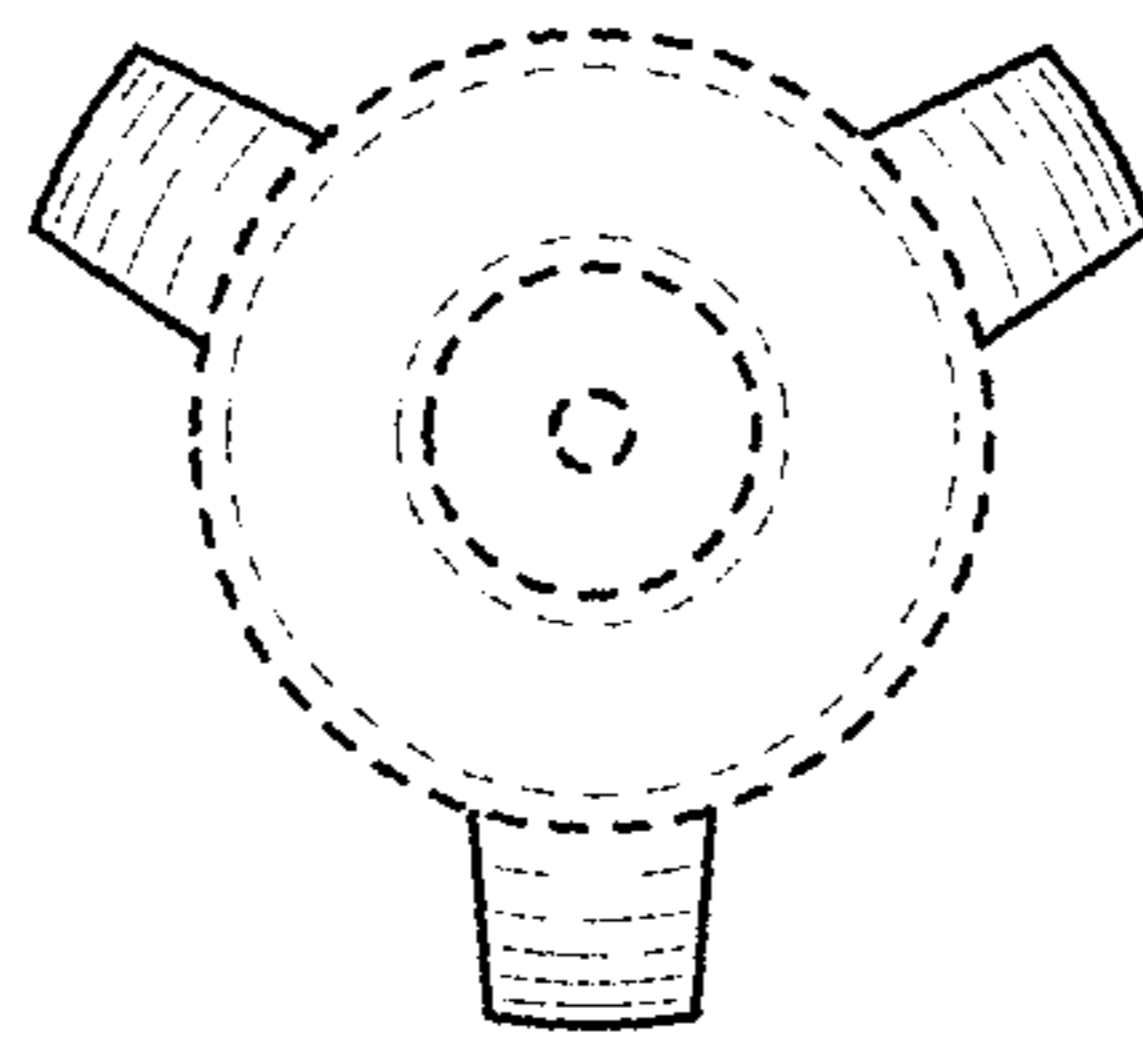


FIG. 7