



US00D782586S

(12) **United States Design Patent**
Wills et al.

(10) **Patent No.:** **US D782,586 S**
(45) **Date of Patent:** **** Mar. 28, 2017**

- (54) **BALL**
- (71) Applicant: **Doskocil Manufacturing Company, Inc.**, Arlington, TX (US)
- (72) Inventors: **Ryan Wills**, Arlington, TX (US); **Kyle Burger**, Seattle, WA (US)
- (73) Assignee: **DOSKOCIL MANUFACTURING COMPANY, INC.**, Arlington, TX (US)
- (**) Term: **15 Years**
- (21) Appl. No.: **29/550,035**
- (22) Filed: **Dec. 30, 2015**
- (51) **LOC (10) Cl.** **21-02**
- (52) **U.S. Cl.**
USPC **D21/707**
- (58) **Field of Classification Search**
USPC D21/707-714, 373, 386, 398, 405, 406, D21/498, 502, 503; D30/160; D11/121; 473/569, 570, 571, 575, 595, 596, 473/612-615; 119/707-711
CPC A63B 37/0001; A63B 37/10; A63B 37/14; A63B 39/00; A63B 39/06; A63B 2039/003; A63B 43/00; A63B 43/002; A63B 43/02; A63B 43/04; A63B 43/06; A63B 2043/001; A63B 65/00; A63B 65/12; A63B 65/122; A63H 33/18; A01K 15/025
See application file for complete search history.

(56) **References Cited**

U.S. PATENT DOCUMENTS

- 2,211,330 A * 8/1940 Hochberg A63F 7/0005
273/118 D
- 2,521,703 A * 9/1950 Emmitt A63B 41/00
273/146

- 5,480,143 A * 1/1996 McMurry A63B 43/00
473/281
- 5,676,611 A * 10/1997 Foster A63B 43/002
473/596
- D453,240 S * 1/2002 Simon D30/160
- D458,312 S * 6/2002 Wood D21/398
- D513,096 S * 12/2005 Stiles D21/712
- D540,496 S * 4/2007 Axelrod D30/160
- D545,509 S * 6/2007 Wang D30/160
- D580,112 S * 11/2008 Stiles D21/713
- D602,542 S * 10/2009 Oblack D21/707
- D609,290 S * 2/2010 Oblack D21/713
- D640,018 S * 6/2011 Rutherford D30/160
- D673,740 S * 1/2013 Burger D21/707
- D706,875 S * 6/2014 Saber D21/398
- D707,303 S * 6/2014 Saber D21/398
- 2008/0242457 A1 * 10/2008 Chia A63B 43/00
473/594

(Continued)

Primary Examiner — Catherine Tuttle

(74) *Attorney, Agent, or Firm* — Global IP Counselors, LLP

(57) **CLAIM**

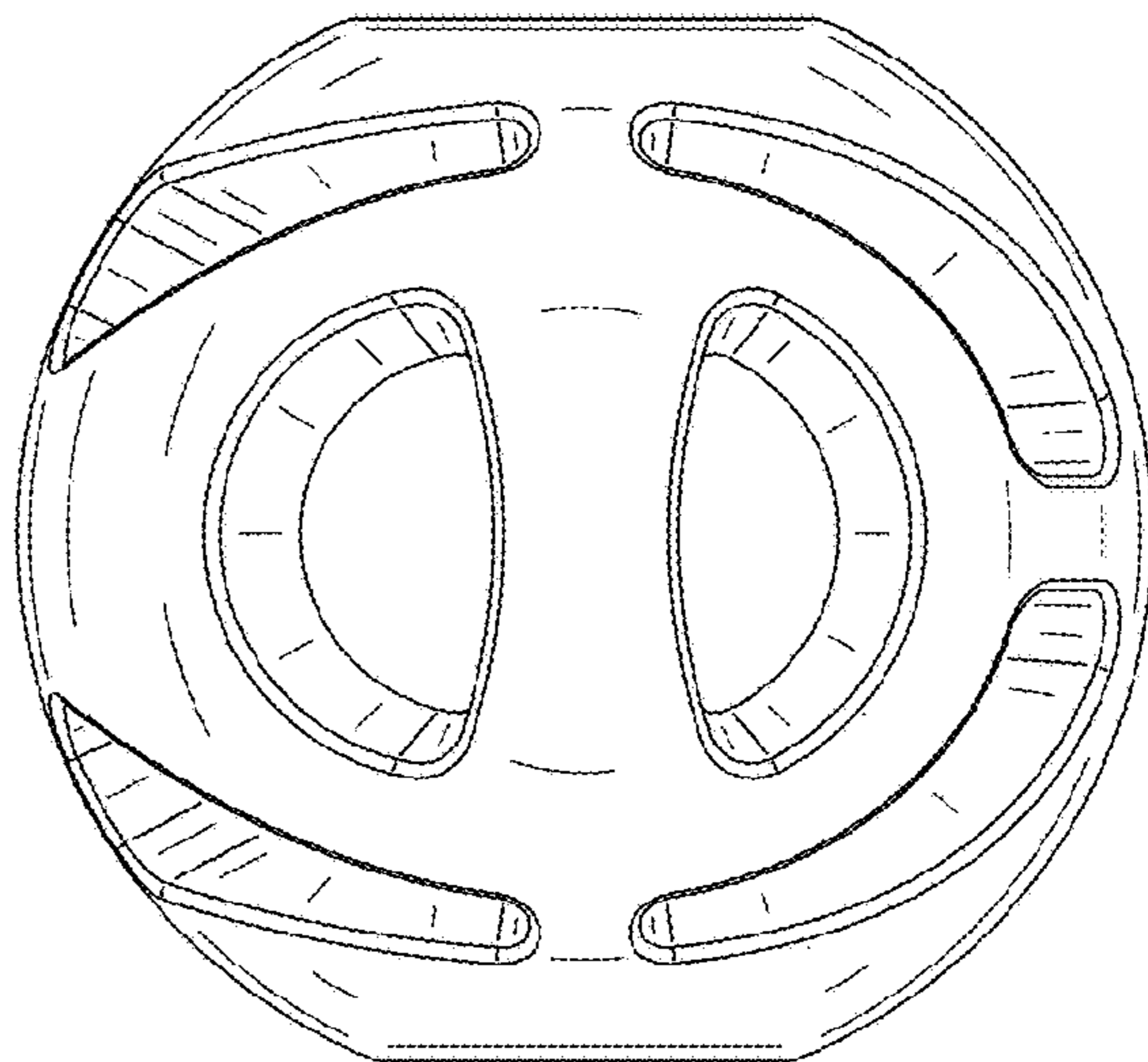
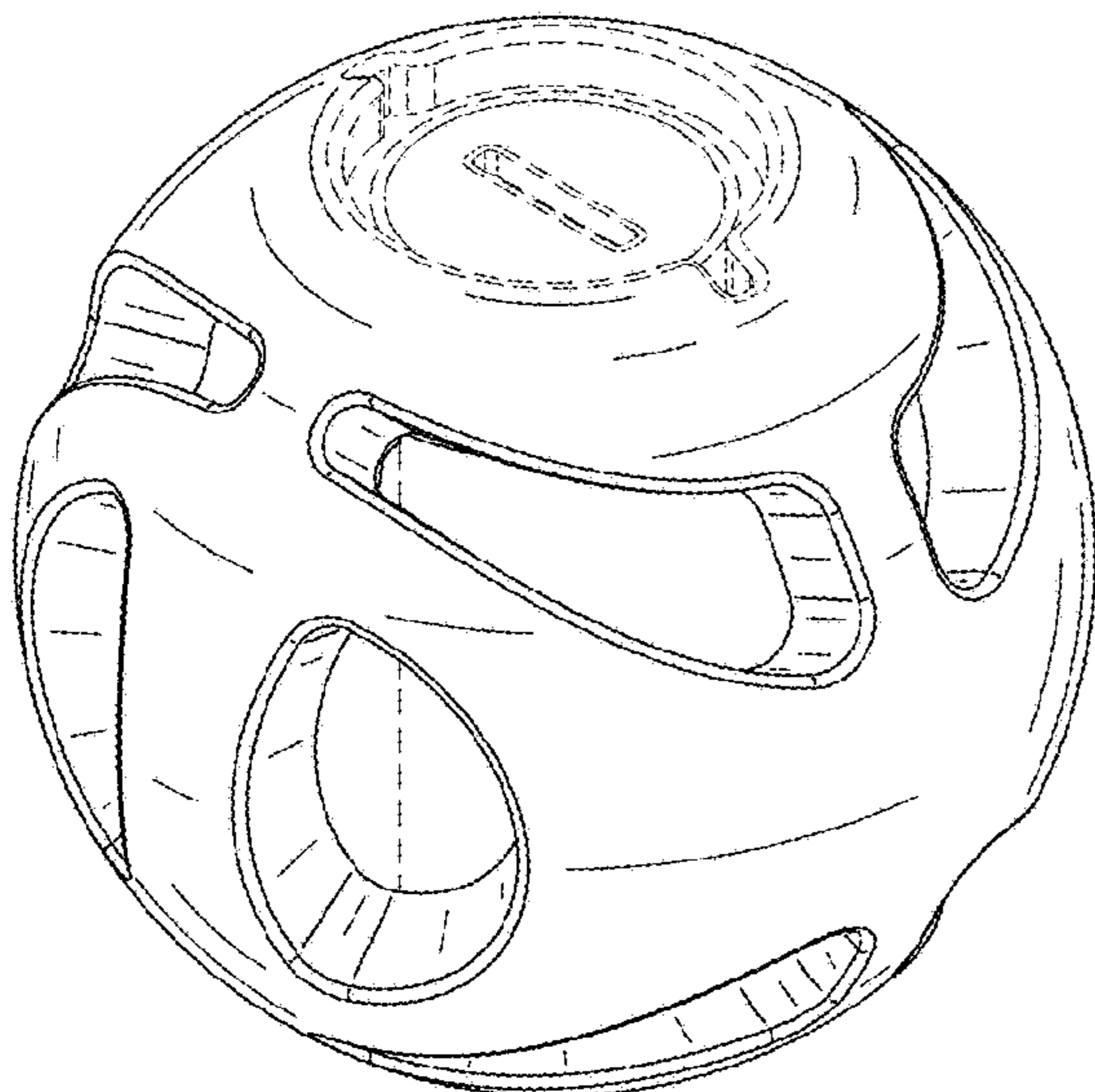
The ornamental design for a ball, as shown and described.

DESCRIPTION

FIG. 1 is a front perspective view of the ball showing our new design;
 FIG. 2 is a rear perspective view thereof;
 FIG. 3 is a top view thereof;
 FIG. 4 is a bottom view thereof;
 FIG. 5 is a front view thereof;
 FIG. 6 is a rear view thereof;
 FIG. 7 is a right side view thereof; and,
 FIG. 8 is a left side view thereof.

The broken lines depict environmental subject matter, are for illustration only, and form no part of the claimed design.

1 Claim, 4 Drawing Sheets



(56)

References Cited

U.S. PATENT DOCUMENTS

2010/0203987 A1* 8/2010 Bagley A01K 15/025
473/571

* cited by examiner

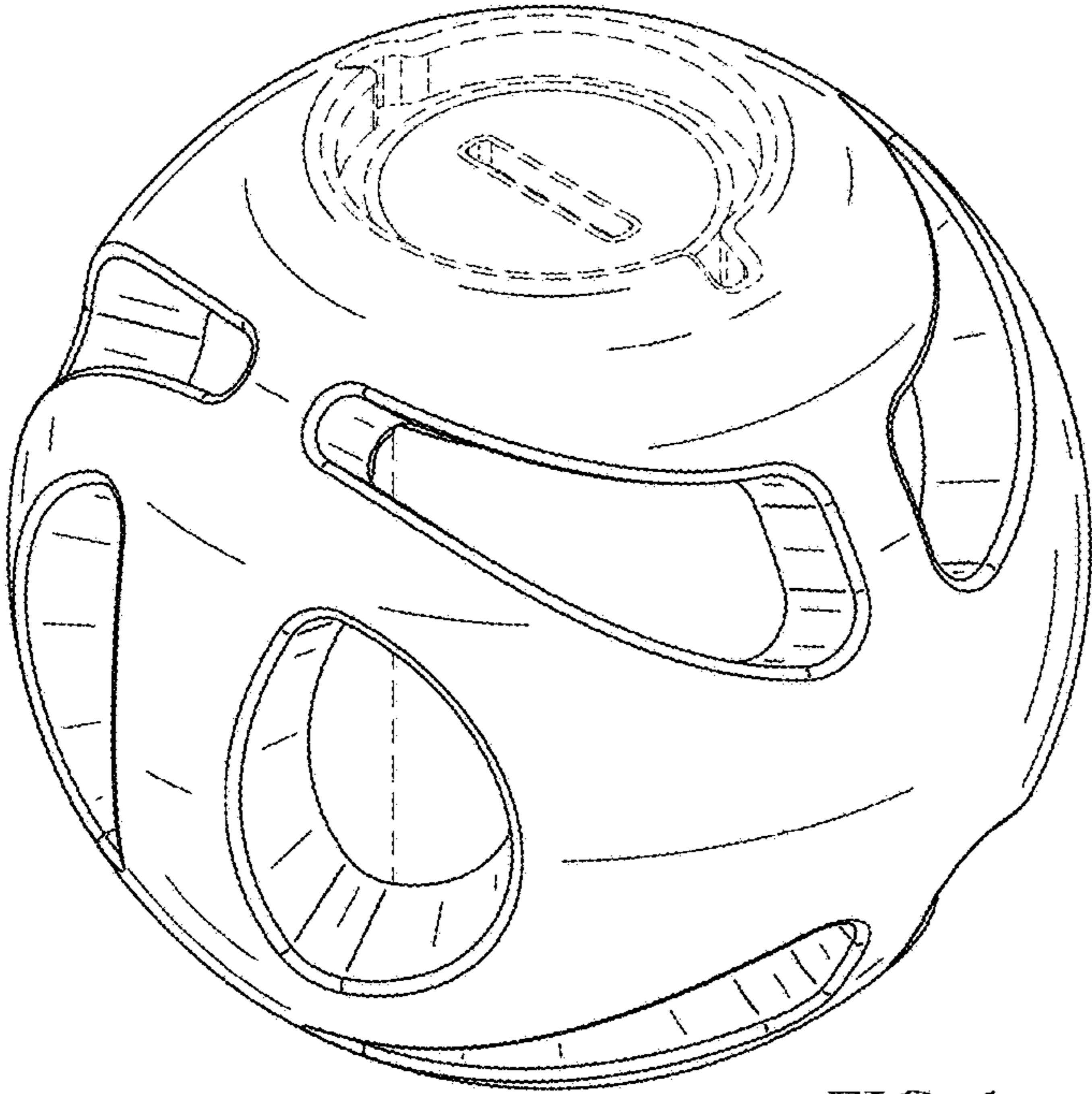


FIG. 1

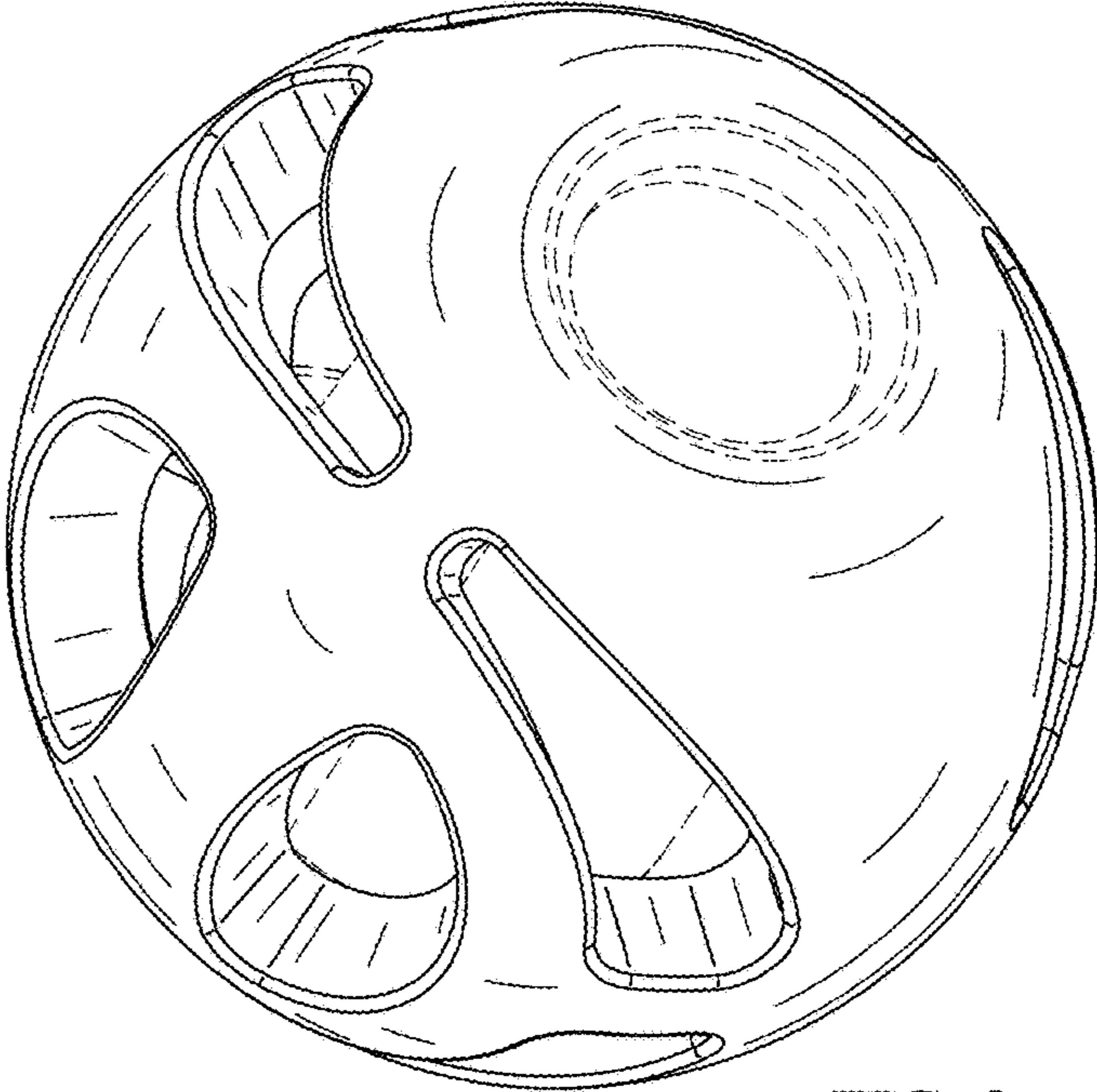


FIG. 2

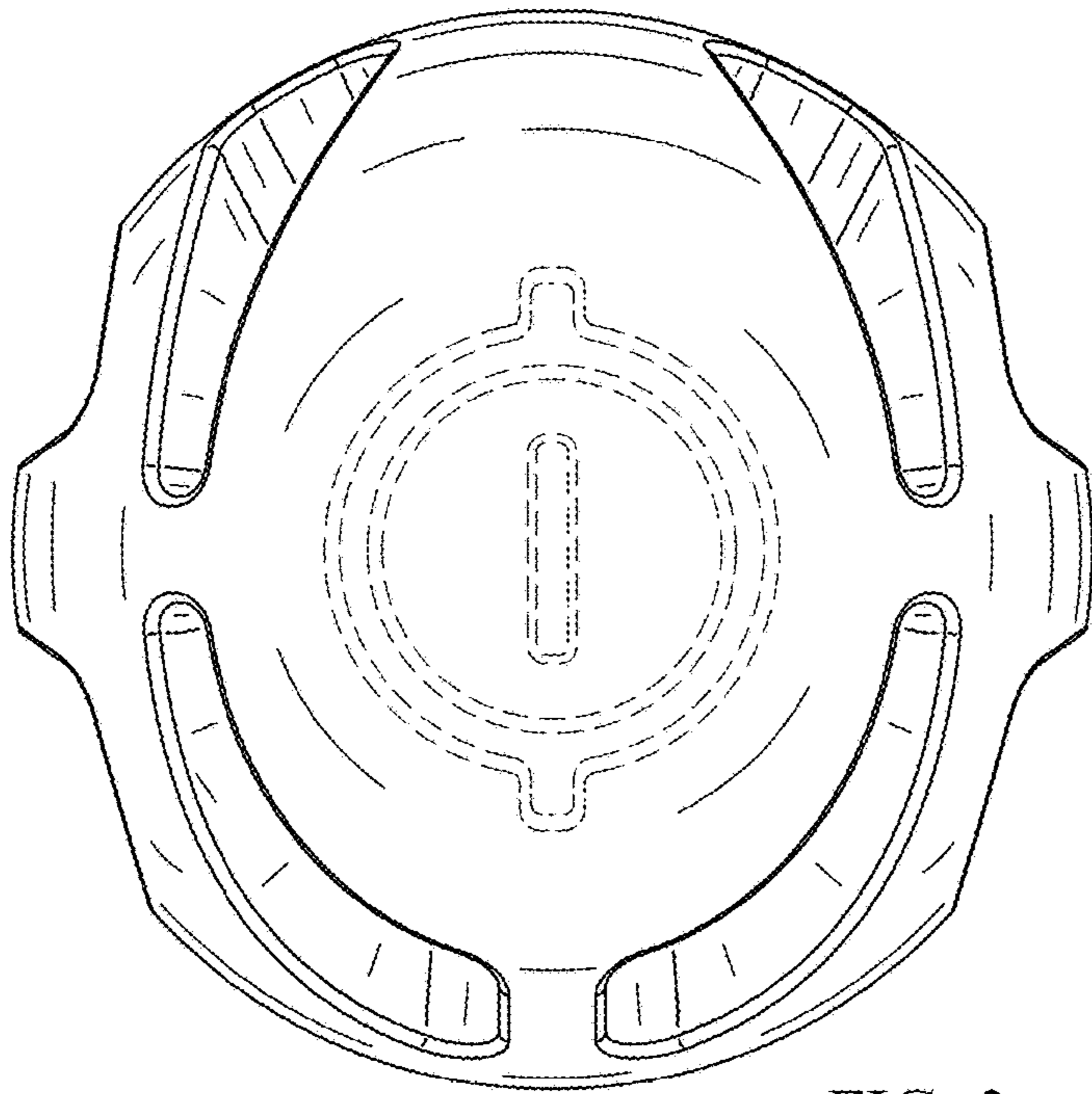


FIG. 3

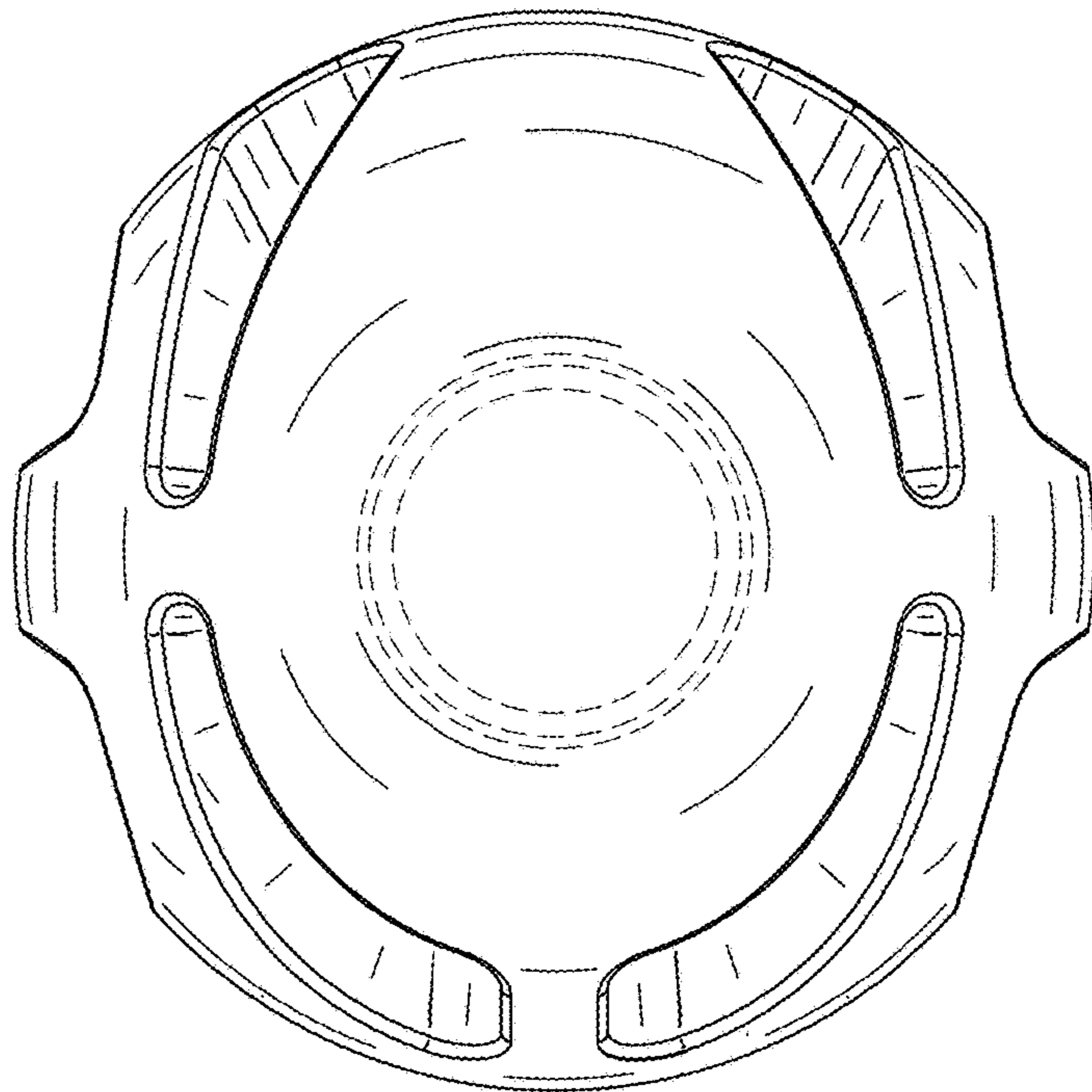


FIG. 4

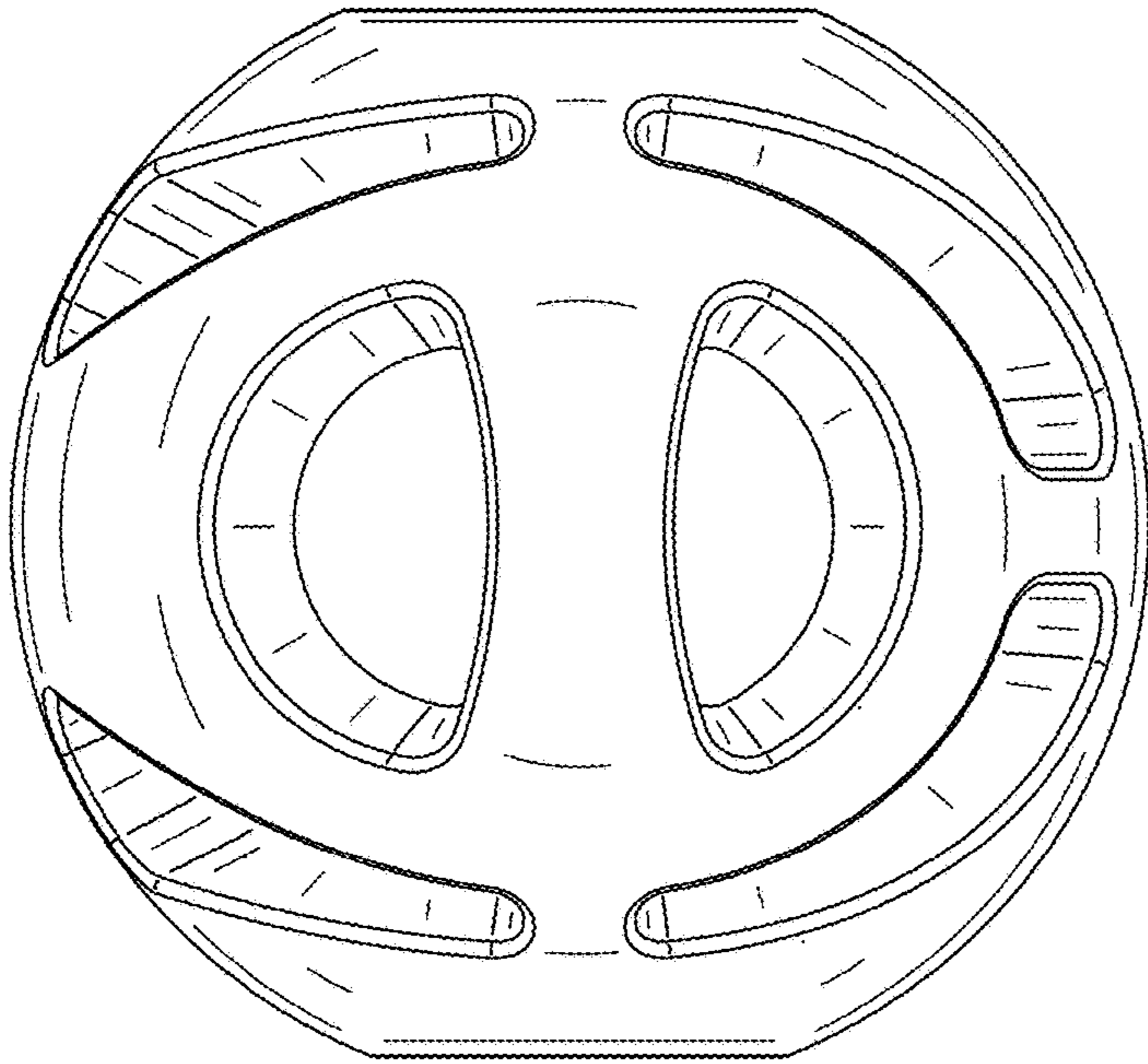


FIG. 5

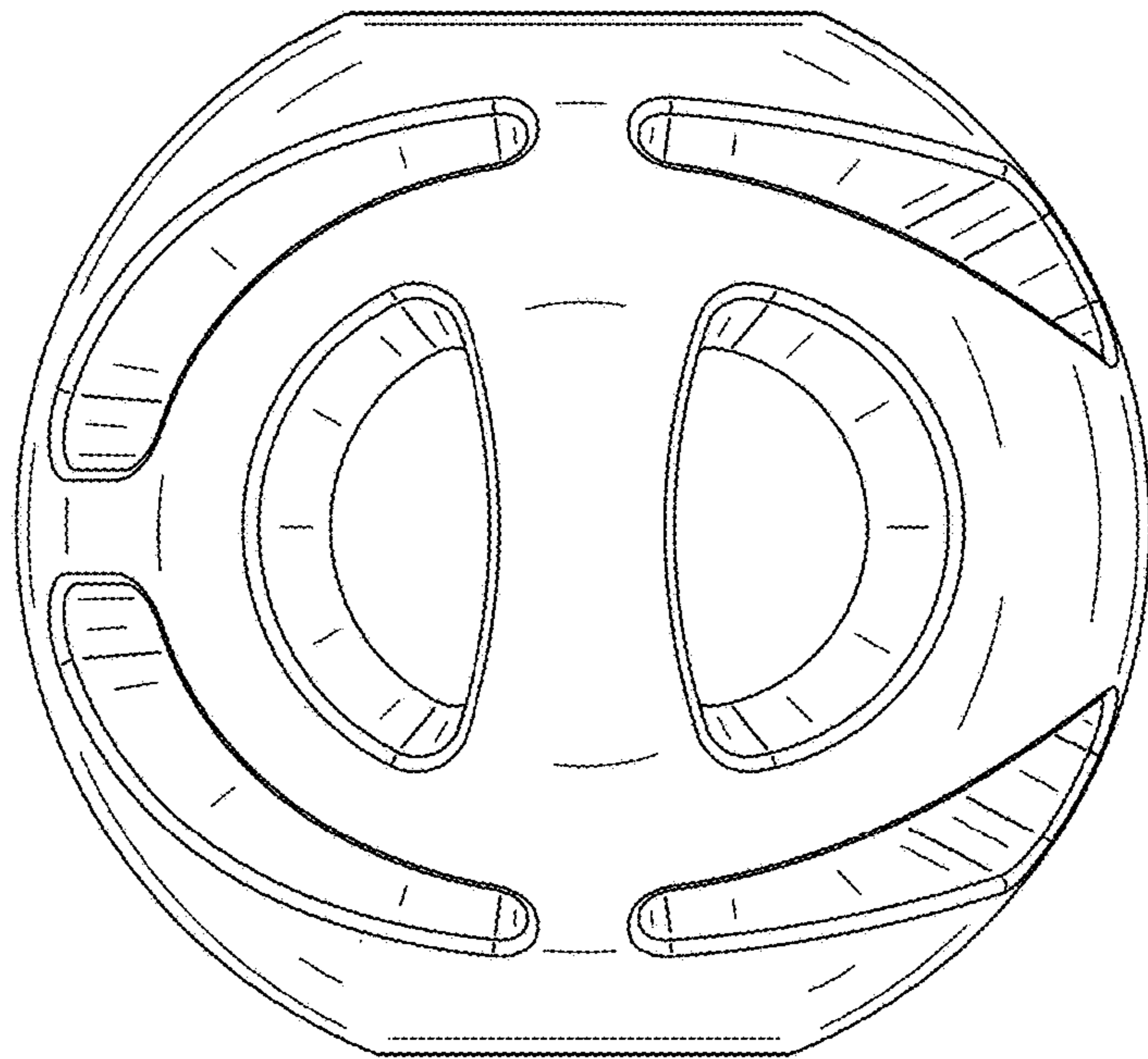


FIG. 6

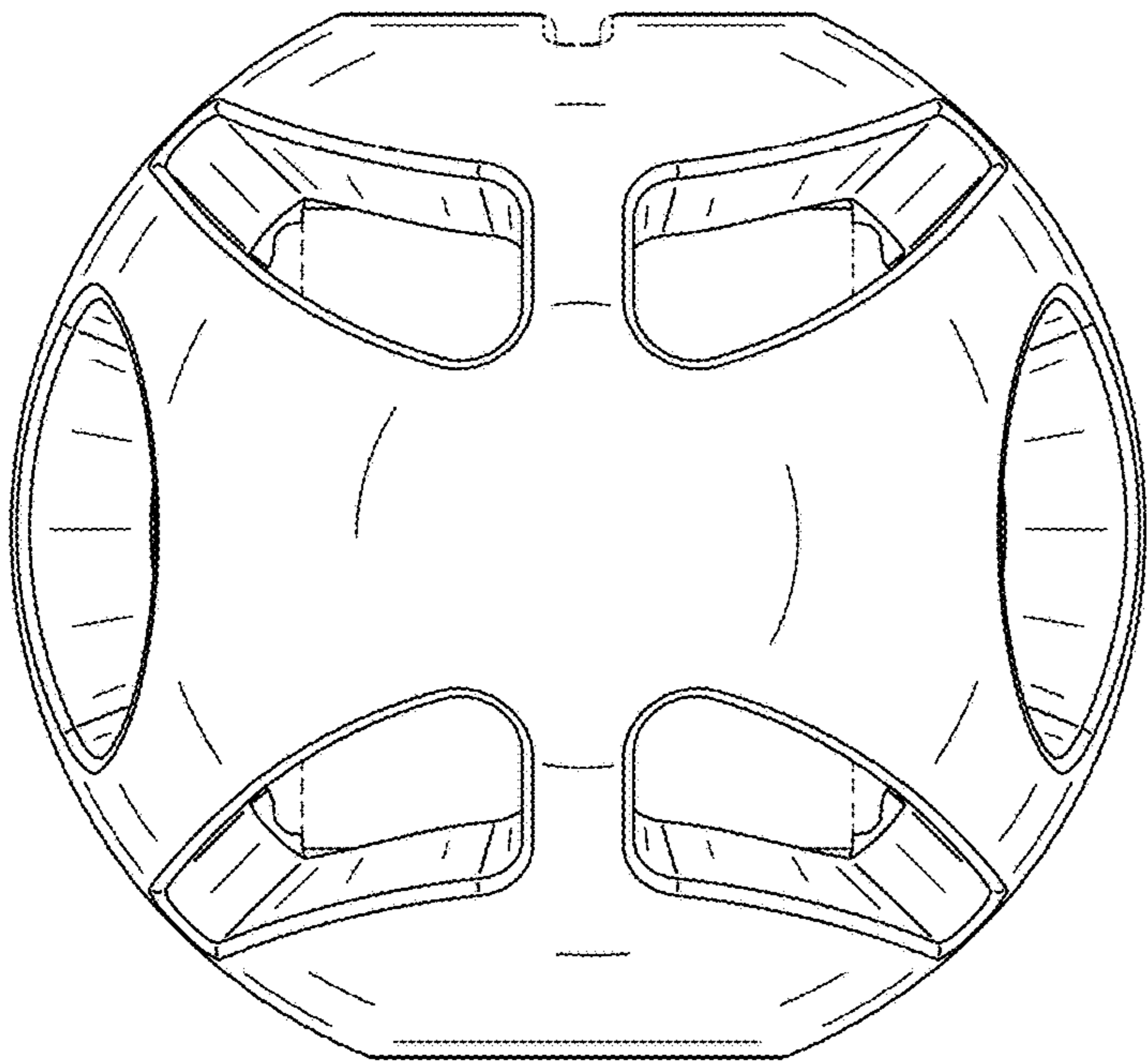


FIG. 7

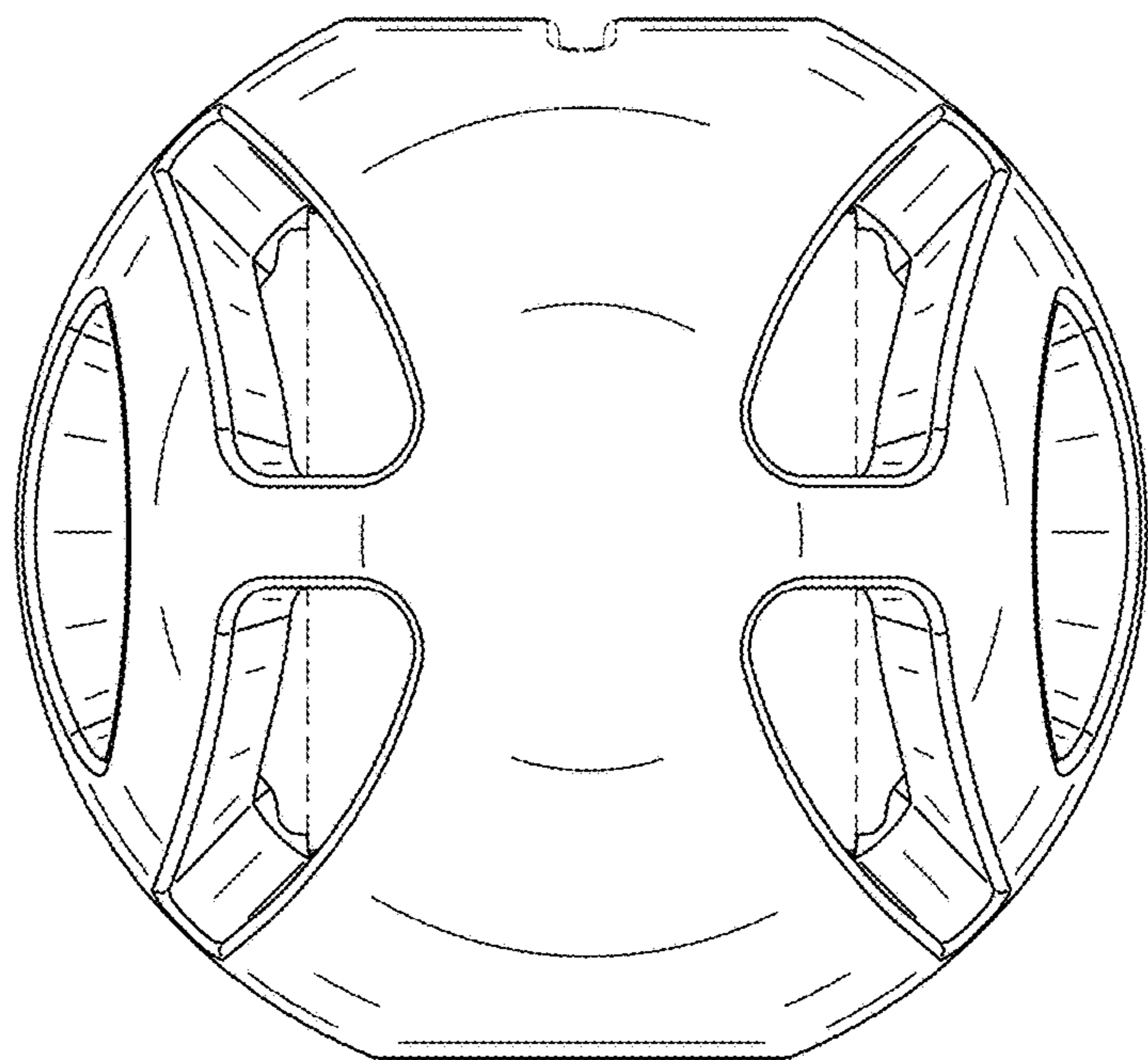


FIG. 8