



US00D782580S

(12) **United States Design Patent**
Herlitz

(10) **Patent No.:** **US D782,580 S**
(45) **Date of Patent:** **** Mar. 28, 2017**

(54) **WAGON**

FOREIGN PATENT DOCUMENTS

(71) Applicant: **RADIO FLYER INC.**, Chicago, IL (US)

EP 1847437 10/2007

(72) Inventor: **Todd Herlitz**, Glenview, IL (US)

OTHER PUBLICATIONS

(73) Assignee: **Radio Flyer Inc.**, Chicago, IL (US)

(**) Term: **15 Years**

Radio Flyer Pathfinder, retrieved Nov. 12, 2010 from <http://www.amazon.com/Radio-Flyer-Pathfinder-Wagon%C2%AE-Red/dp/B0000859QK%3FSubscriptionId%3DAKIAIQF34XQRTUHI-VHHA%26tag%3Diowestpriceusa-20%26linkCode%3Dxm2%26camp%3D2025%26creative%3D165953%26creativeASIN%3DB000859QK>.

(21) Appl. No.: **29/552,509**

(22) Filed: **Jan. 22, 2016**

(51) **LOC (10) Cl.** **21-01**

(52) **U.S. Cl.**
USPC **D21/425**

(Continued)

(58) **Field of Classification Search**

USPC D21/419, 424–246, 534–536; D12/17, D12/19, 20, 102, 105, 129; D34/12; 280/87.01, 87.021, 87.043, 47.17, 47.25, 280/47.34, 47.38, 47.4, 204, 639, 651
CPC .. B62B 3/00; B62B 3/02; B62B 3/007; B62B 5/08; B62B 5/082; B60P 3/00; B60P 3/34; B60P 3/42

Primary Examiner — Cynthia M Chin

(74) *Attorney, Agent, or Firm* — McDermott Will & Emery LLP

See application file for complete search history.

(57) **CLAIM**

I claim the ornamental design for a wagon, as shown and described.

DESCRIPTION

(56) **References Cited**

U.S. PATENT DOCUMENTS

663,526 A	12/1900	White
1,099,924 A	6/1914	Johnson
1,771,813 A	7/1930	Norman
2,676,054 A	4/1954	Pasin
2,718,407 A	9/1955	Welsh
2,989,318 A	6/1961	Schenkman
3,275,337 A	9/1966	Lau
3,577,105 A	5/1971	Jones, Jr.
D229,501 S	12/1973	Pasin
3,809,435 A	5/1974	Morris
4,265,461 A	5/1981	Okubo
D261,784 S	11/1981	Fisher

(Continued)

FIG. 1 is a top perspective view of a wagon according to the new design.

FIG. 2 is a bottom perspective view of the wagon shown in FIG. 1.

FIG. 3 is a right side view of the wagon shown in FIG. 1.

FIG. 4 is a left side view of the wagon shown in FIG. 1.

FIG. 5 is a front view of the wagon shown in FIG. 1.

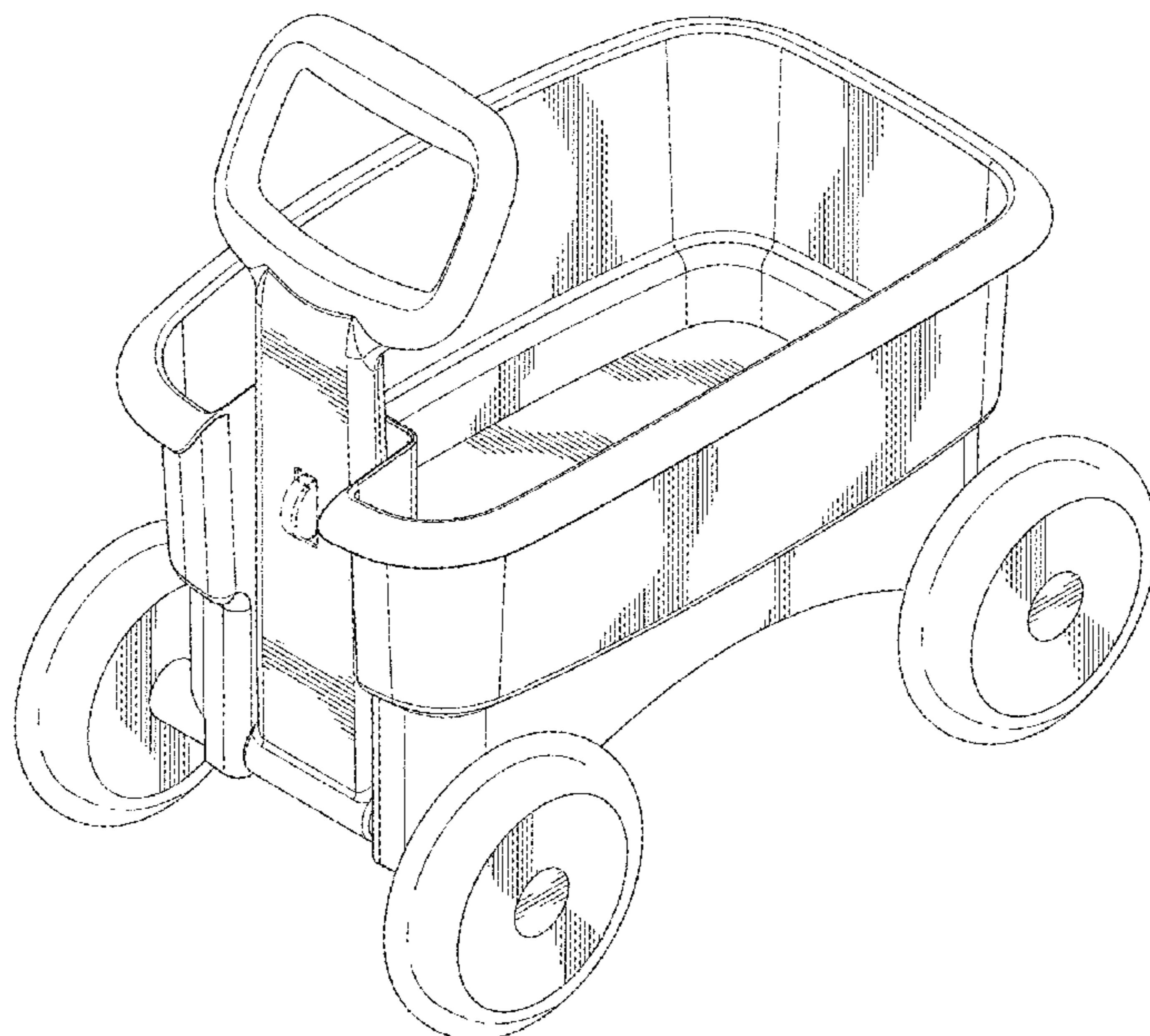
FIG. 6 is a rear view of the wagon shown in FIG. 1.

FIG. 7 is a top plan view of the wagon shown in FIG. 1; and,

FIG. 8 is a bottom plan view of the wagon shown in FIG. 1.

The broken lines are for the purpose of illustrating portions of the wagon that form no part of the claim.

1 Claim, 8 Drawing Sheets



(56)

References Cited

U.S. PATENT DOCUMENTS

4,300,783 A 11/1981 Fisher
 4,449,322 A 5/1984 Blumenthal
 D275,691 S 9/1984 Appel et al.
 4,735,426 A 4/1988 McConnell
 D308,556 S 6/1990 Klawitter
 4,930,831 A 6/1990 Valiga et al.
 D311,554 S 10/1990 Valiga et al.
 4,963,115 A 10/1990 Davin et al.
 D316,576 S 4/1991 VanHuystee
 D327,101 S * 6/1992 Halter D21/425
 D345,768 S 4/1994 Bro et al.
 D347,029 S 5/1994 Sampetro
 5,358,314 A 10/1994 Spadotto
 5,360,222 A 11/1994 Bro et al.
 5,380,023 A 1/1995 McBee
 D366,633 S 1/1996 Pasin et al.
 5,480,180 A 1/1996 Fuller et al.
 D369,629 S 5/1996 Pasin et al.
 5,529,323 A 6/1996 vom Braucke et al.
 5,538,267 A 7/1996 Pasin et al.
 D372,942 S 8/1996 Fish, Jr.
 D382,309 S 8/1997 Brown et al.
 5,669,617 A 9/1997 Pasin et al.
 D389,877 S 1/1998 Pasin
 D401,407 S * 11/1998 Bro D3/271.12
 D403,026 S 12/1998 Pasin
 5,947,493 A 9/1999 Pasin et al.
 5,957,482 A 9/1999 Shorter
 6,176,759 B1 1/2001 Trageser
 D447,522 S 9/2001 Ainsworth et al.
 6,318,740 B1 11/2001 Nappo
 6,363,678 B1 4/2002 Shuler

D458,648 S 6/2002 Chiappetta et al.
 6,446,981 B1 9/2002 Wise et al.
 D466,953 S 12/2002 Ortiz
 6,488,293 B1 12/2002 Mitchell et al.
 6,499,750 B1 12/2002 Michelau
 6,536,796 B1 3/2003 Solomon
 6,601,860 B2 8/2003 Potter
 6,641,149 B2 11/2003 Chiappetta et al.
 D483,419 S 12/2003 Chiappetta et al.
 6,871,863 B2 3/2005 Michelau
 6,932,365 B2 8/2005 Chiappetta et al.
 D547,391 S 7/2007 Johnson et al.
 D564,039 S 3/2008 Rodriguez et al.
 D566,200 S 4/2008 Seckel et al.
 7,487,977 B2 2/2009 Johnson
 D594,069 S 6/2009 Schlegel et al.
 D652,084 S 1/2012 Herlitz et al.
 D658,725 S * 5/2012 Clark D21/425
 8,641,057 B2 2/2014 Herlitz et al.
 2004/0066013 A1 4/2004 Michelau
 2004/0232639 A1 11/2004 Chiappetta et al.
 2008/0122191 A1 5/2008 Johnson
 2009/0273151 A1 * 11/2009 Young A47B 85/08
 280/47.34
 2010/0156069 A1 6/2010 Chen
 2012/0248722 A1 * 10/2012 Herlitz B62B 3/007
 280/47.34

OTHER PUBLICATIONS

Step 2 Wagon, retrieved Nov. 12, 2010 from <http://www.littletikesplay.com/step2/step-2-wagon-for-two-plus-willow-green.html>.

* cited by examiner

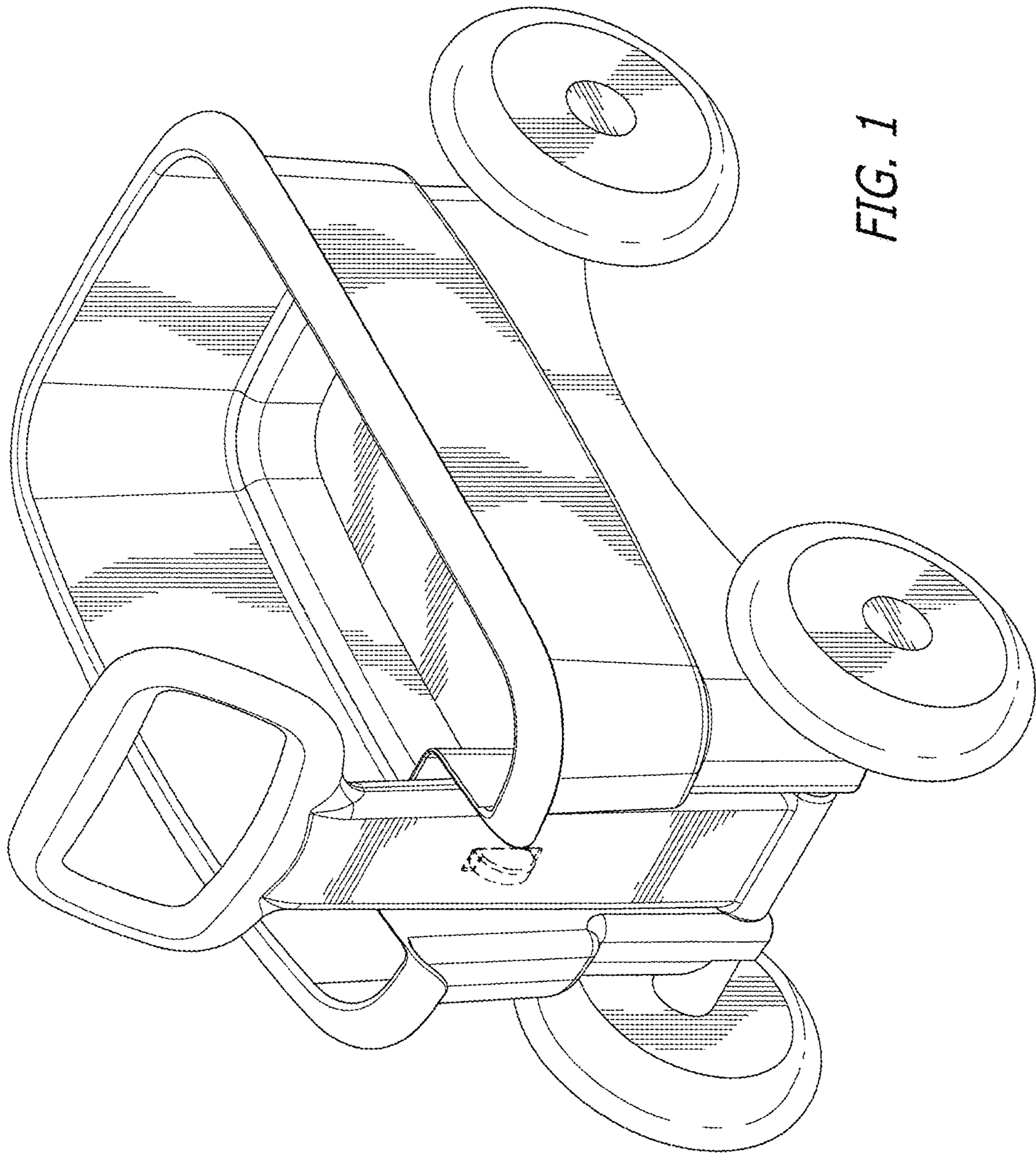


FIG. 1

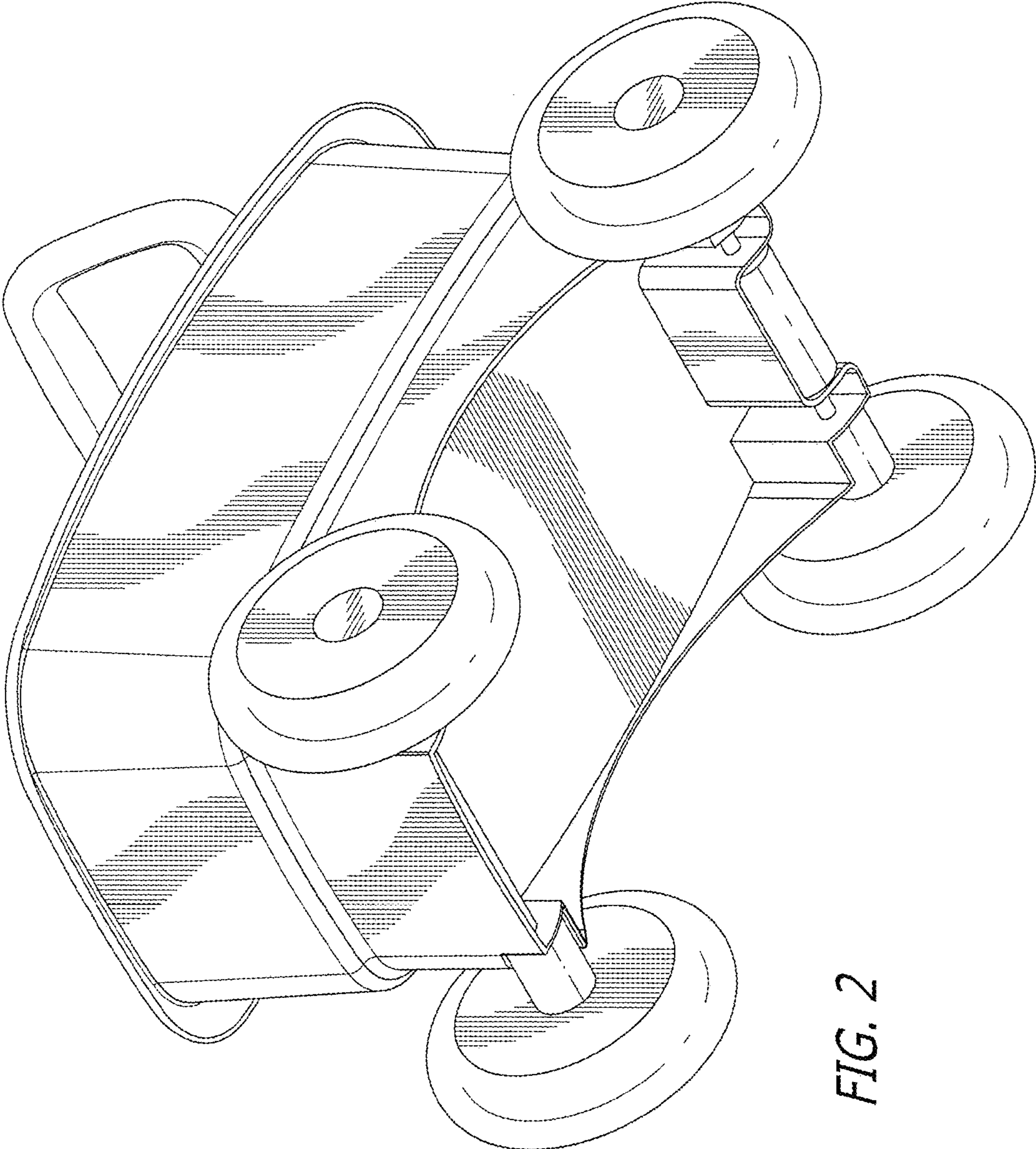
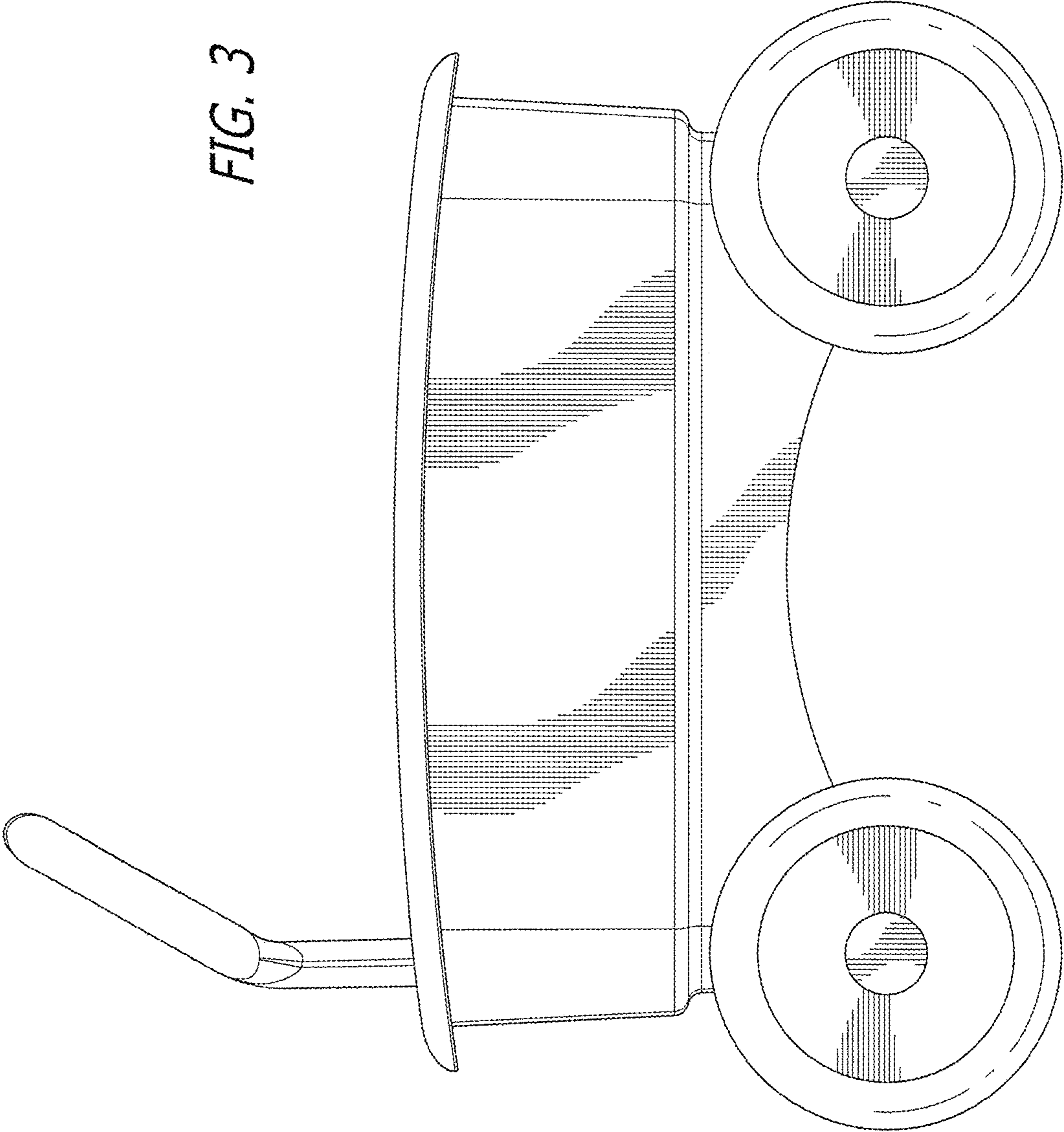


FIG. 2

FIG. 3



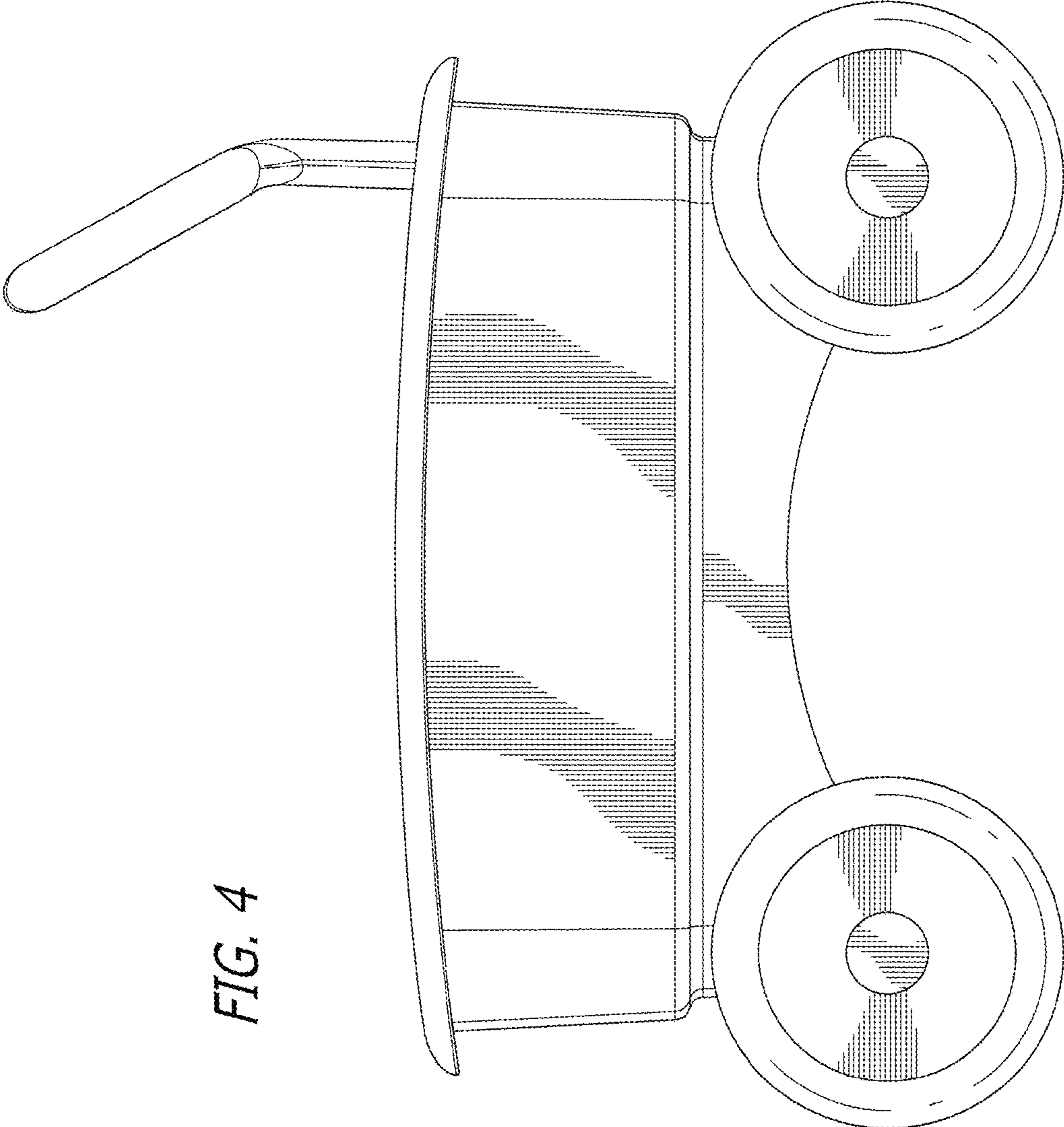


FIG. 4

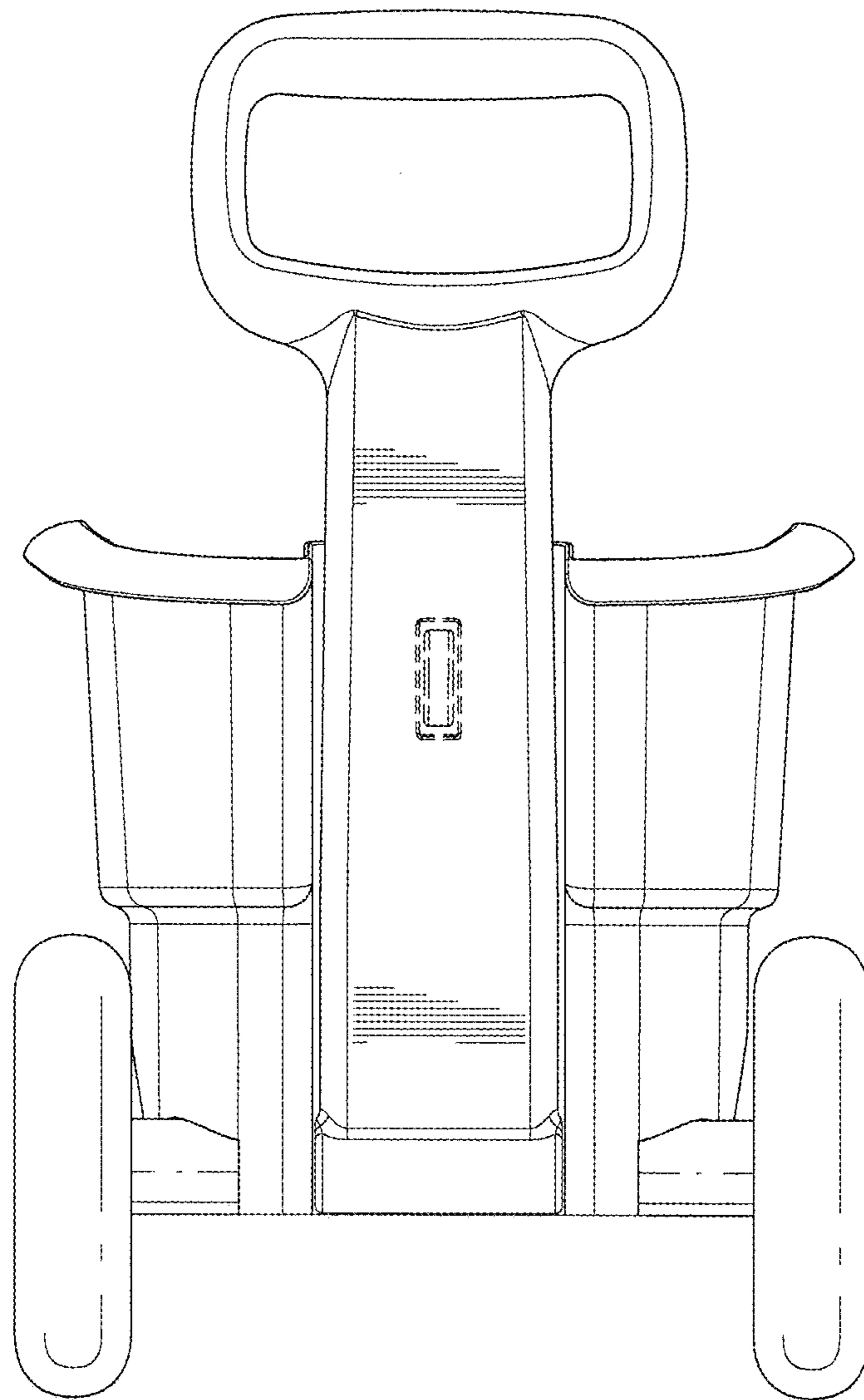


FIG. 5

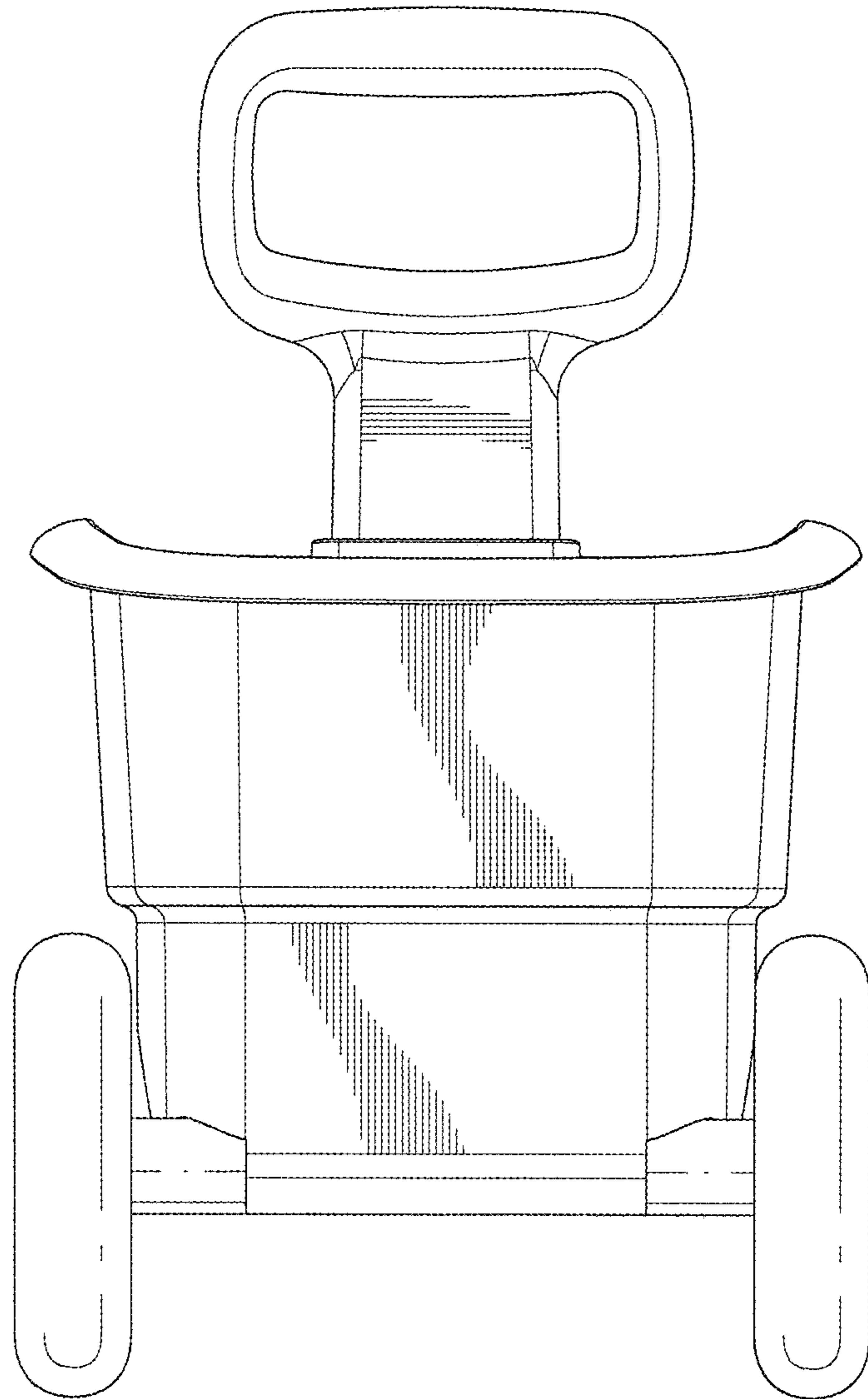


FIG. 6

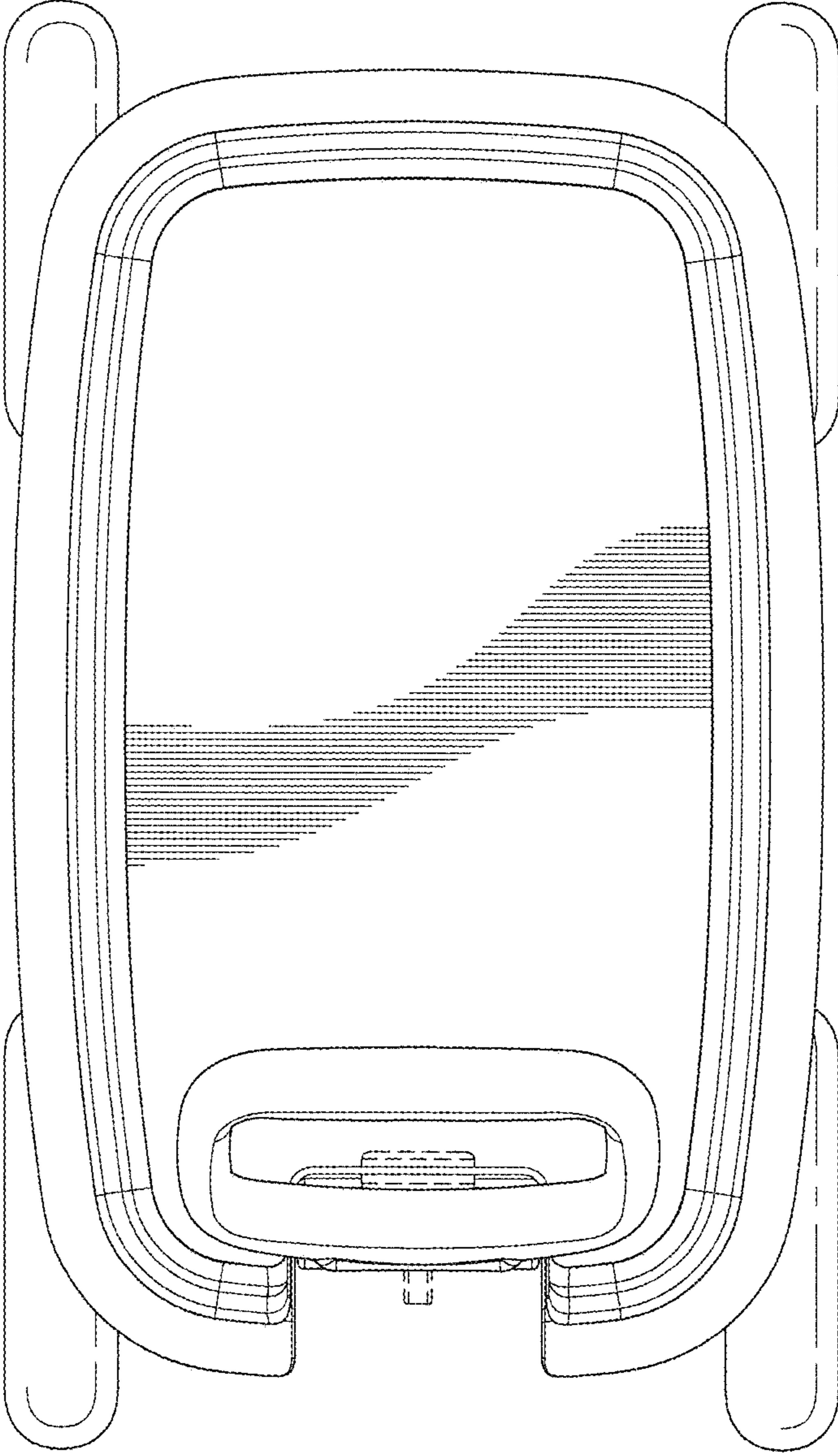


FIG. 7

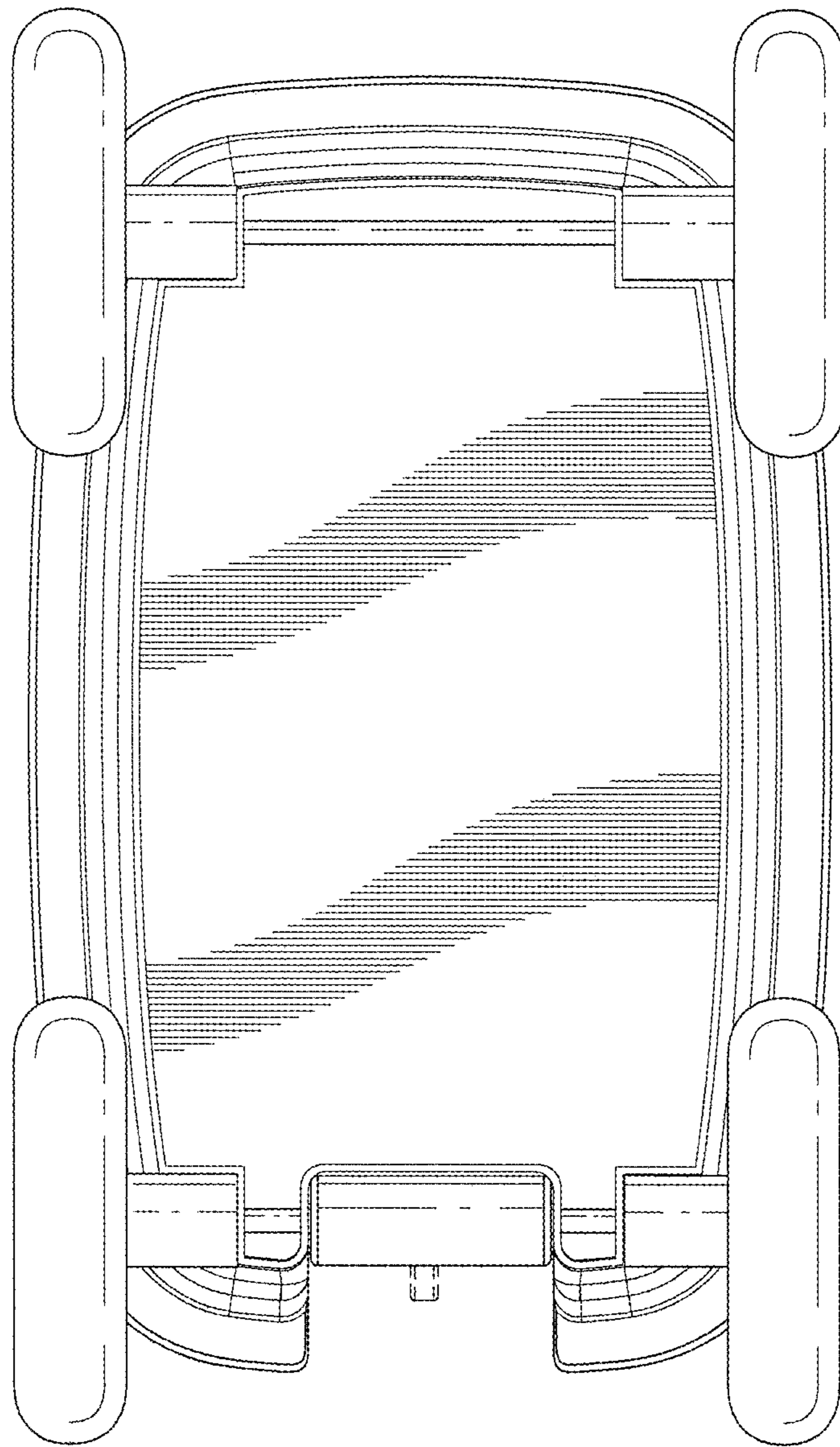


FIG. 8