



US00D782573S

(12) **United States Design Patent**
the Losen et al.

(10) **Patent No.:** **US D782,573 S**

(45) **Date of Patent:** **** Mar. 28, 2017**

- (54) **STORAGE UNIT**
- (71) Applicant: **Savor Goods, LLC**, Sag Harbor, NY (US)
- (72) Inventors: **Karla the Losen**, New York, NY (US);
Jennifer Nevins, New York, NY (US)
- (73) Assignee: **Savor Goods, LLC**, Sag Harbor, NY (US)
- (**) Term: **15 Years**
- (21) Appl. No.: **29/531,052**
- (22) Filed: **Jun. 23, 2015**
- (51) **LOC (10) Cl.** **19-02**
- (52) **U.S. Cl.**
USPC **D19/90**
- (58) **Field of Classification Search**
USPC D3/304, 305, 310–315; D6/407, 627,
D6/675, 683, 683.1; D7/600.1–600.4,
D7/601; D9/737, 414, 432; D19/75,
D19/77–80, 86–87, 90–92
CPC B42F 7/10; B42F 7/12; B42F 7/06; B42F
7/145; B42F 17/02; B42F 17/12; B43M
99/00; B43M 99/001; B43M 99/008;
A47B 6/00; A47B 47/00; A47B 47/0033;
A47B 47/0041; B65D 5/566
See application file for complete search history.

- (56) **References Cited**
U.S. PATENT DOCUMENTS
321,950 A * 7/1885 Crafts B42F 17/02
206/425
522,237 A * 7/1894 Sexton B42F 17/02
190/16
1,692,865 A * 11/1928 Riederer B42F 17/02
206/425

- 1,966,742 A * 7/1934 Steinberg B42F 17/02
206/425
- 3,216,426 A * 11/1965 Furrer B42F 7/145
211/113
- 3,332,600 A * 7/1967 Guernsey B65D 5/38
229/125.125
- 3,439,861 A * 4/1969 Olson B65D 5/10
229/108
- 3,455,462 A * 7/1969 Morgan A47B 47/00
211/42
- 3,517,854 A * 6/1970 Ziegler B42F 7/145
206/556
- 3,592,344 A * 7/1971 Schade A47B 47/00
206/557
- 3,726,411 A * 4/1973 Jones A47F 5/0025
211/126.13
- 3,949,928 A * 4/1976 Perkins B65D 5/22
229/125.125

(Continued)

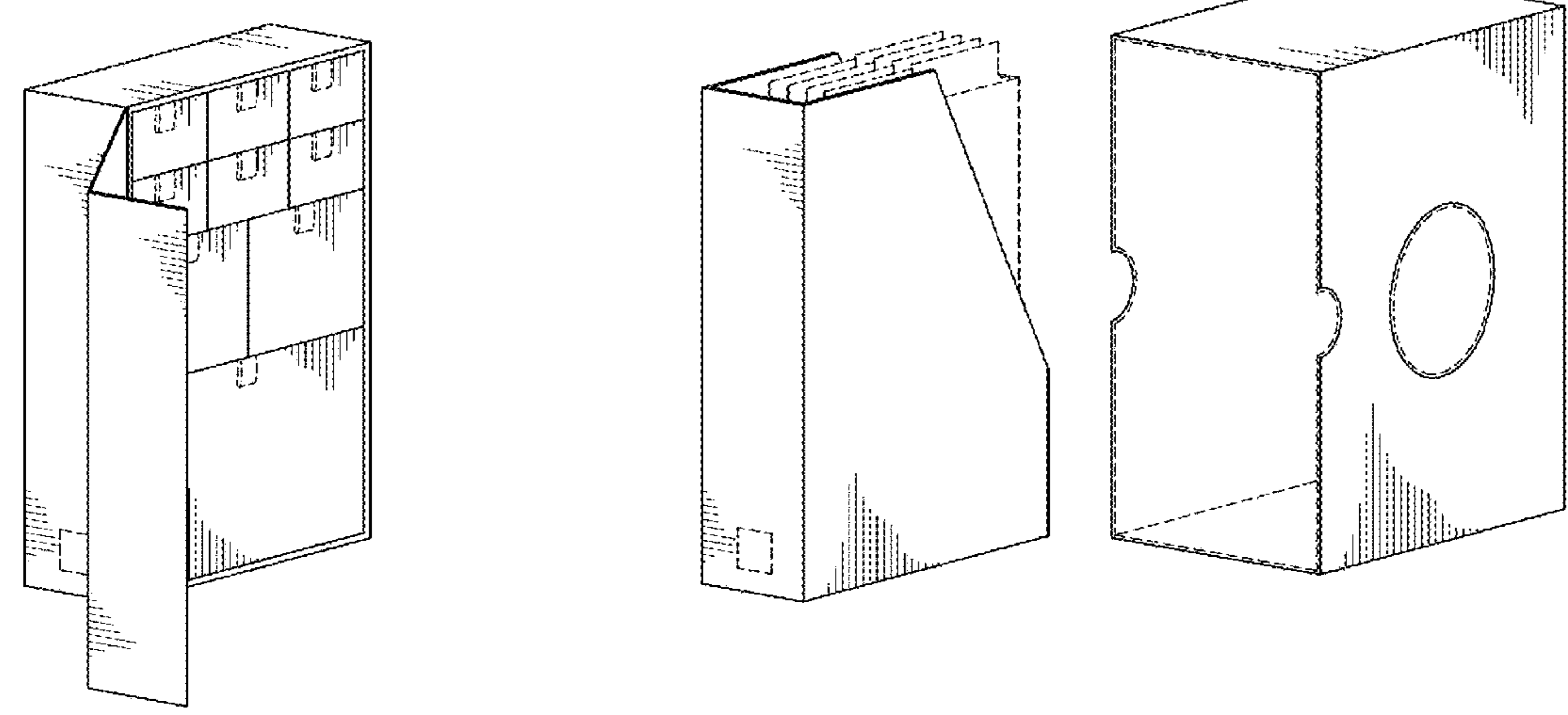
Primary Examiner — Elizabeth Albert
(74) *Attorney, Agent, or Firm* — Rankin, Hill & Clark
LLP

(57) **CLAIM**
The ornamental design for a storage unit, as shown and described.

DESCRIPTION

FIG. 1 is an exploded perspective view of a storage unit; FIG. 2 is a front elevation view thereof; FIG. 3 is a rear elevation view thereof; FIG. 4 is a left side elevation view thereof; FIG. 5 is a right side elevation view thereof; FIG. 6 is a top plan view thereof; and FIG. 7 is a bottom plan view thereof; and, FIG. 8 is a perspective view of the storage unit shown assembled.
The broken lines in the drawings are included to show features that form no part of the claimed design.

1 Claim, 8 Drawing Sheets



(56)

References Cited

U.S. PATENT DOCUMENTS

4,307,806 A * 12/1981 Haubert G11B 23/023
206/232

4,322,000 A * 3/1982 Struble G11B 23/0233
206/387.1

4,385,693 A * 5/1983 Gelardi G11B 23/023
206/387.1

4,895,267 A * 1/1990 Karlsson B42F 17/02
220/4.28

4,909,398 A * 3/1990 Santucci A47F 7/147
211/11

5,203,457 A * 4/1993 Garcia B65D 83/0894
206/449

D335,996 S * 6/1993 Evenson D19/90

5,224,608 A * 7/1993 Paquette B42F 15/0088
211/206

D342,026 S * 12/1993 Cross D19/86

5,351,826 A * 10/1994 Chen B42F 7/145
206/425

5,372,256 A * 12/1994 Chen B42F 7/145
206/425

D365,487 S * 12/1995 Chen D6/629

D381,691 S * 7/1997 Miyake D19/75

5,655,656 A * 8/1997 Gottlieb G11B 33/0494
206/232

5,707,003 A * 1/1998 Miyake B42F 7/145
206/245

D395,580 S * 6/1998 Kendrick D19/90

D500,802 S * 1/2005 DeCarlo D19/90

D502,966 S * 3/2005 çakir D19/90

7,299,968 B2 * 11/2007 Mittmann B65D 5/38
229/125.125

D562,405 S * 2/2008 Gusdorf D19/90

2015/0202721 A1 * 7/2015 Gu B23K 11/04
219/100

* cited by examiner

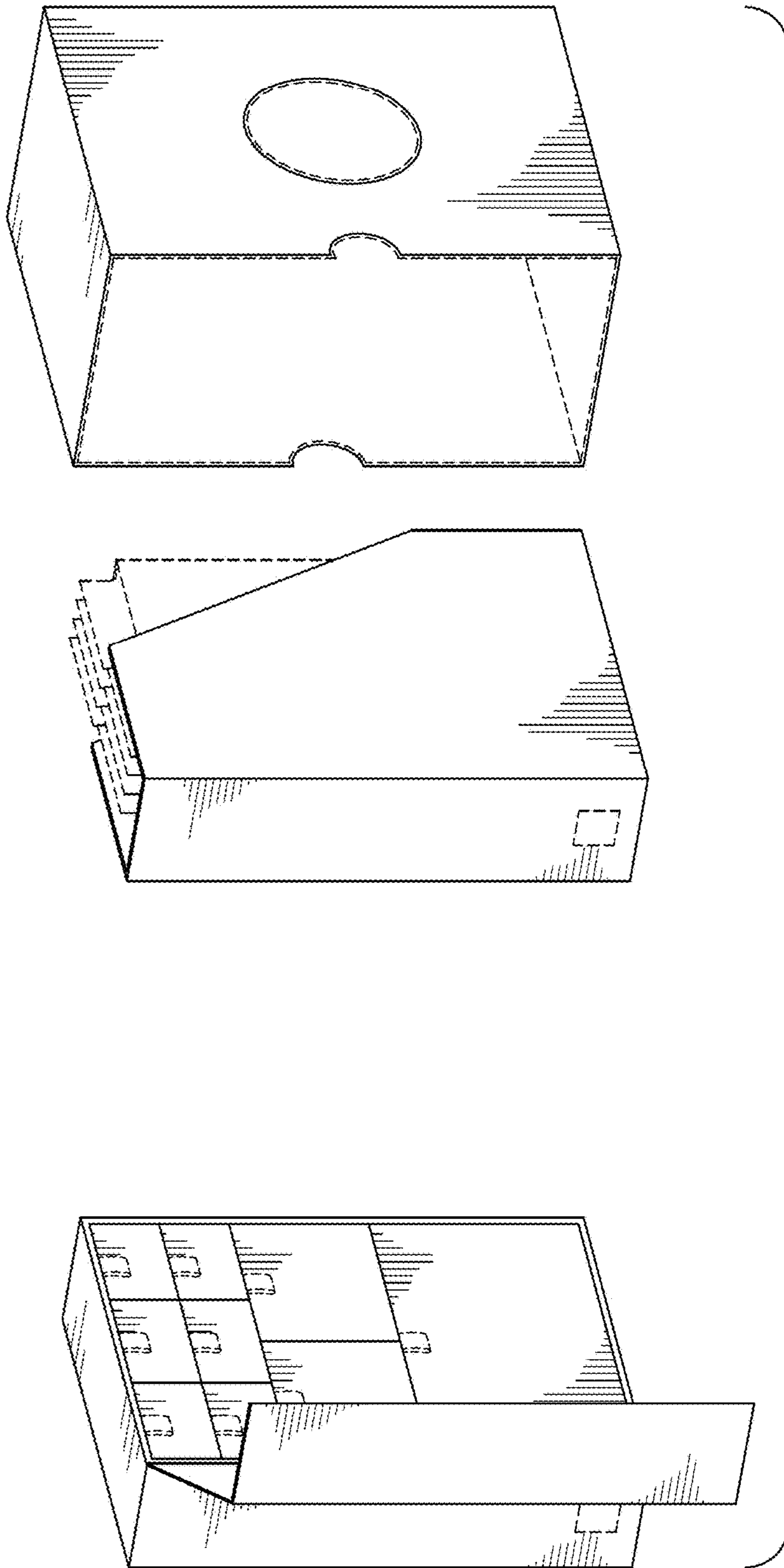


FIG. 1

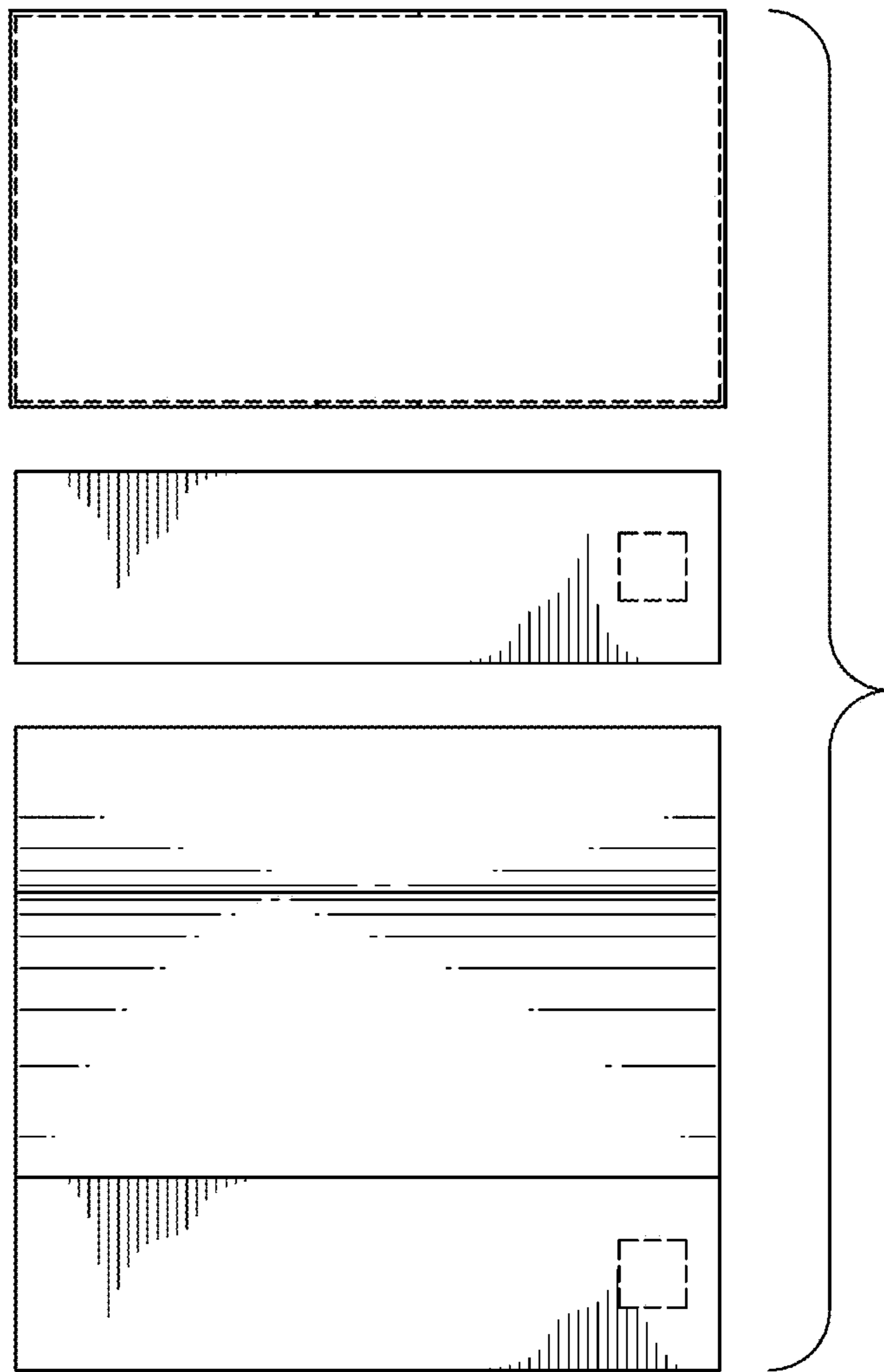


FIG.2

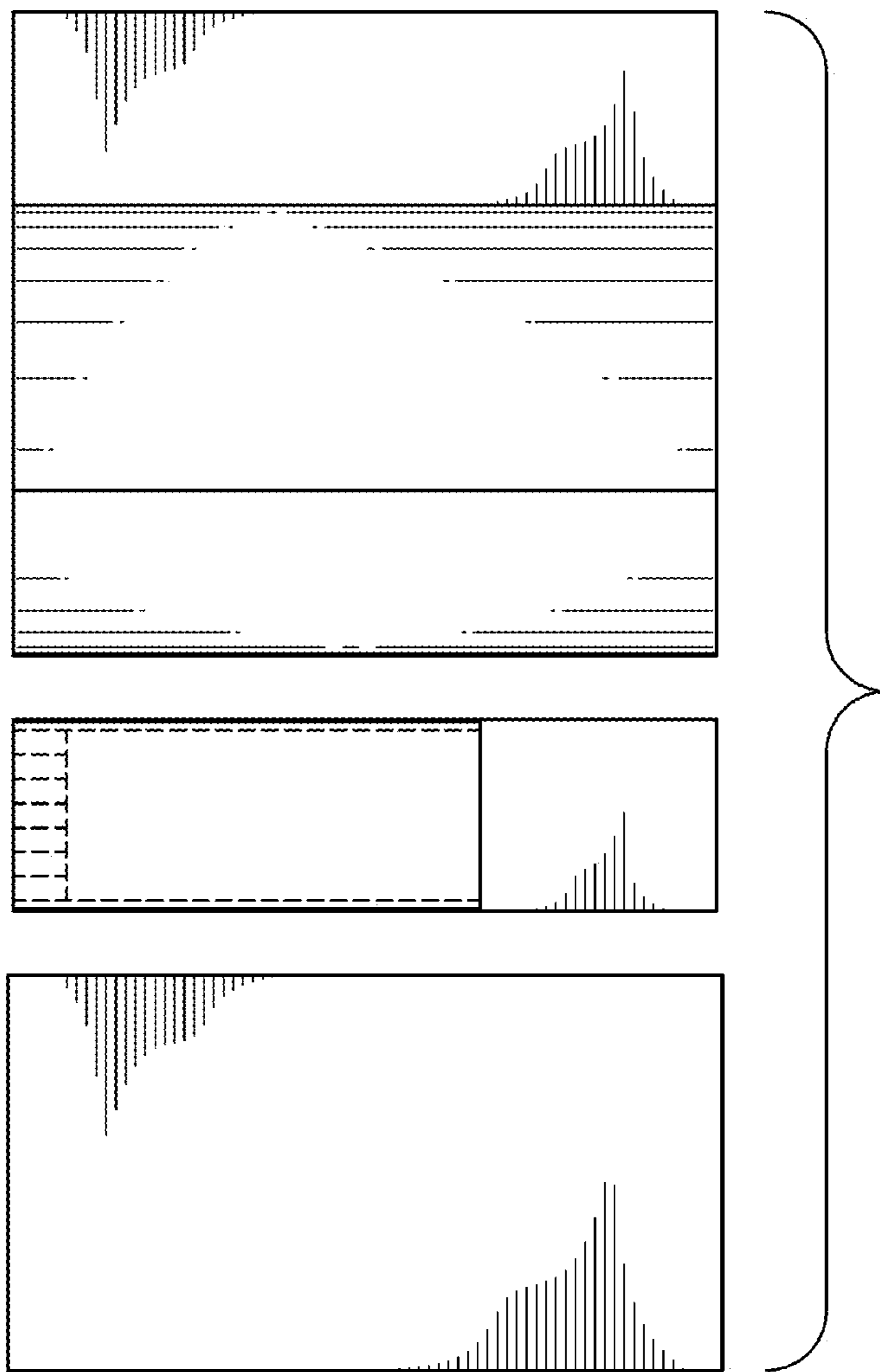


FIG. 3

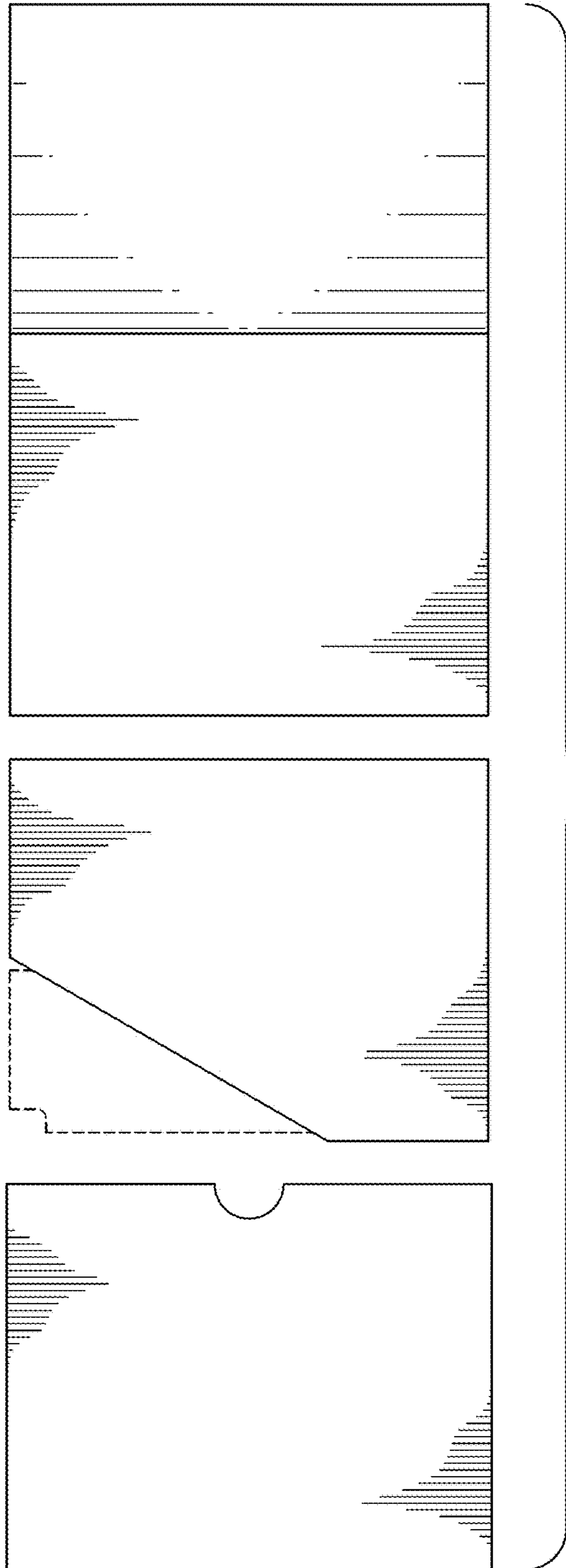


FIG. 4

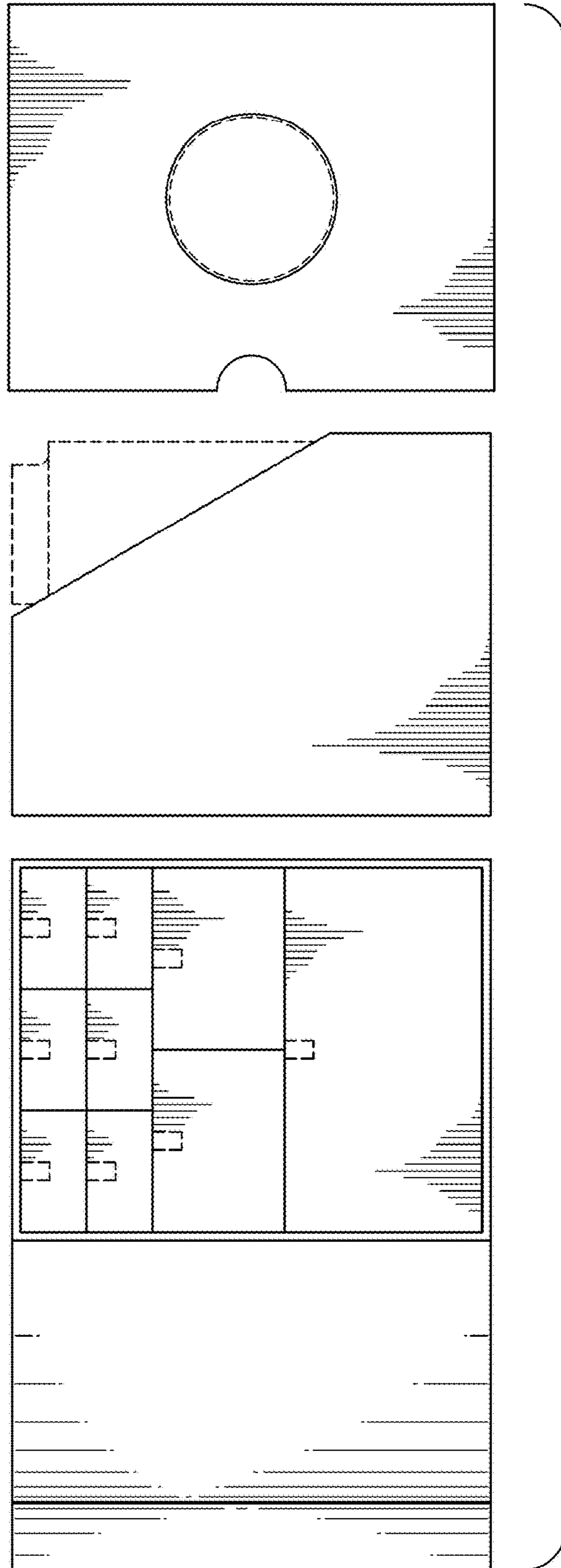


FIG. 5

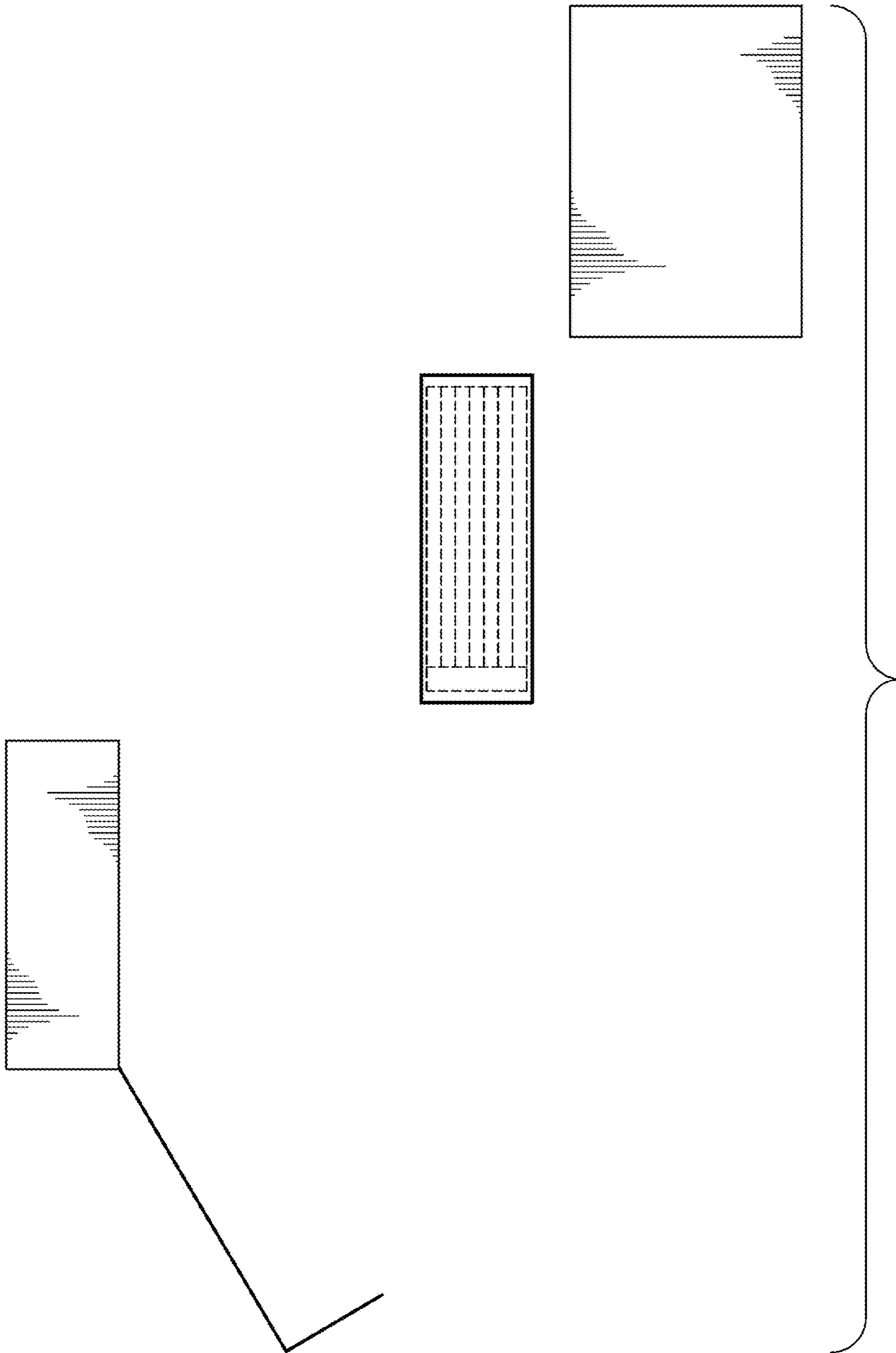


FIG. 6

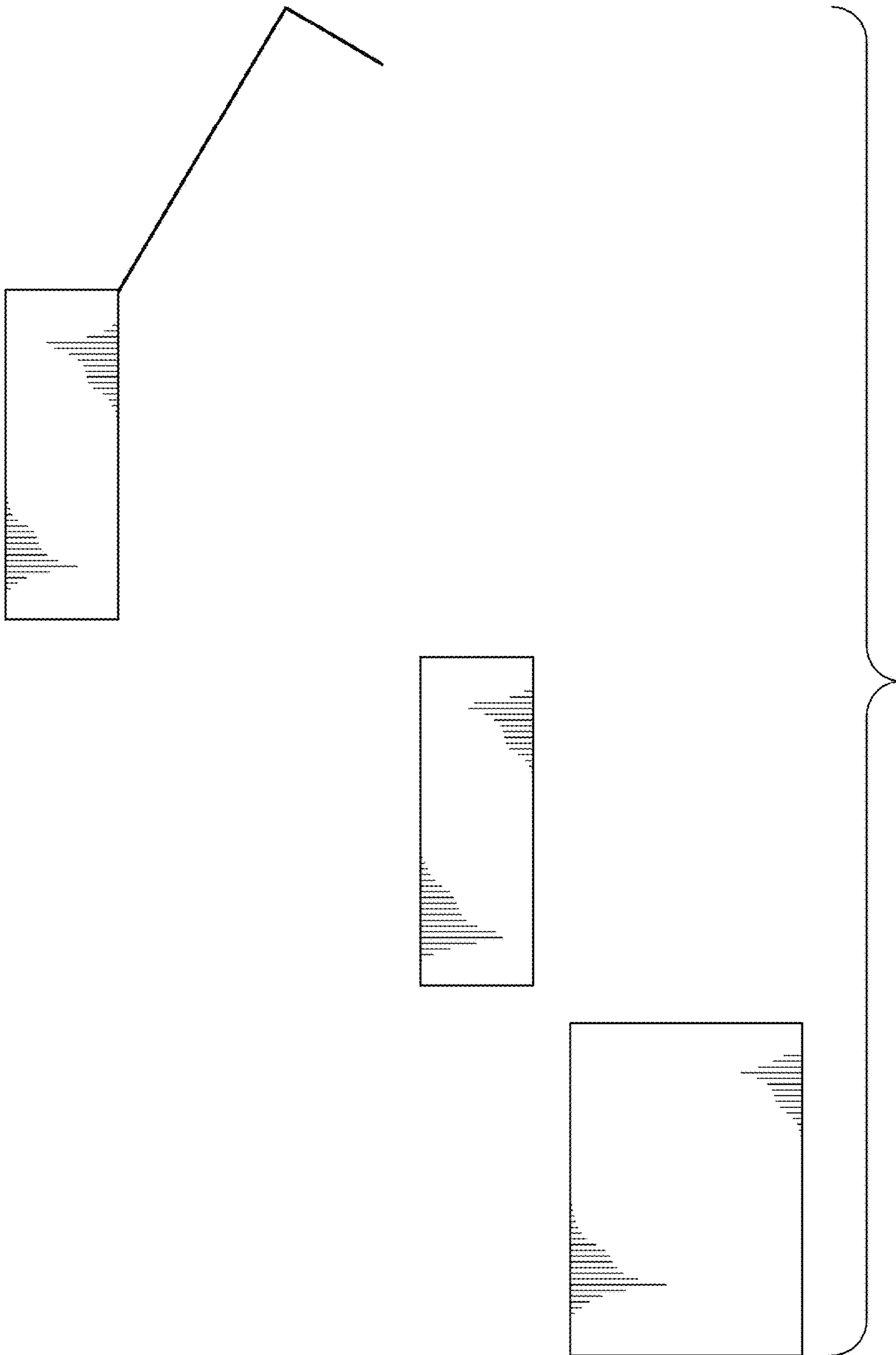


FIG. 7

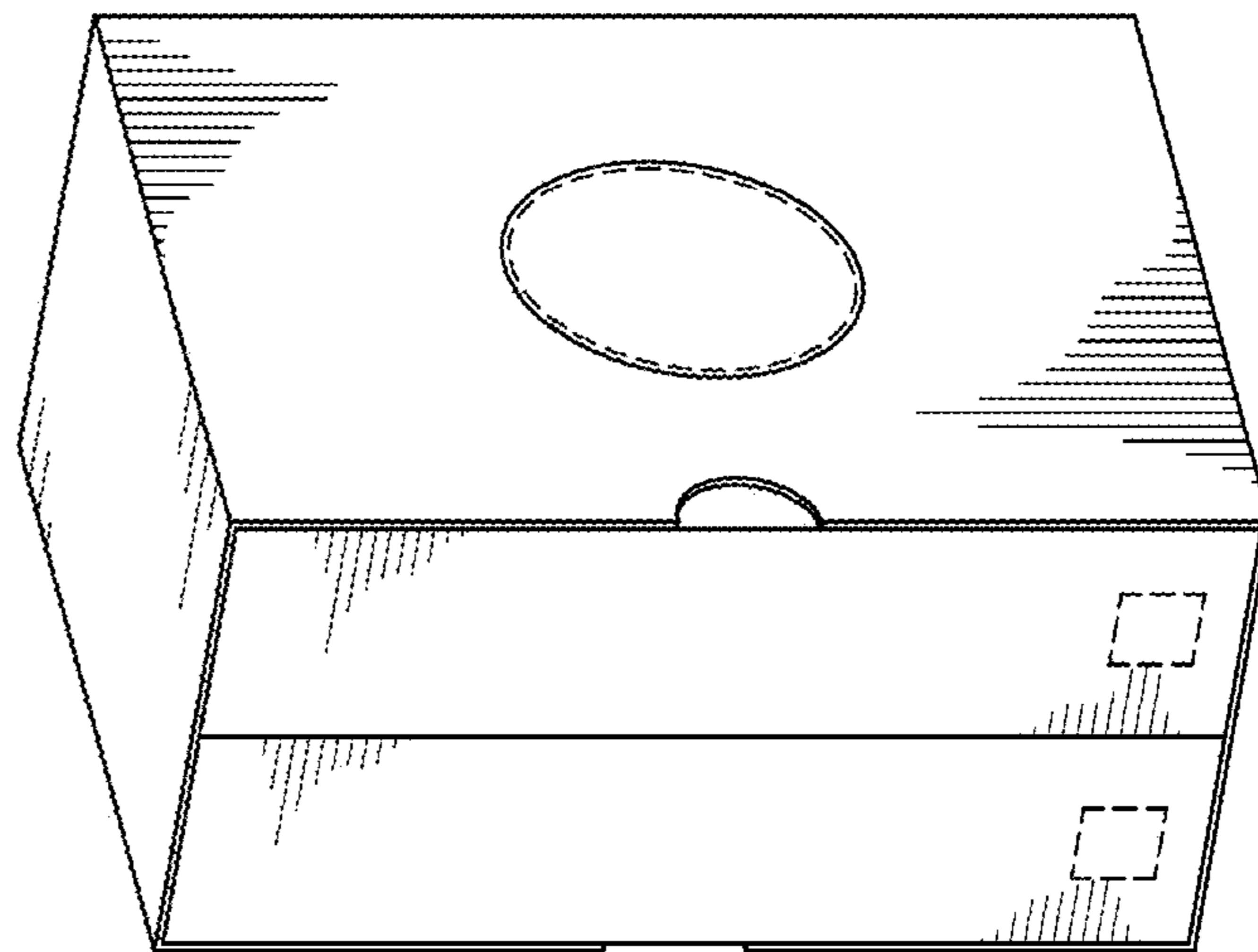


FIG. 8