



US00D782567S

(12) **United States Design Patent**  
**Faoro**

(10) **Patent No.:** **US D782,567 S**  
(45) **Date of Patent:** **\*\* Mar. 28, 2017**

(54) **PEDALBOARD FOR A MUSICAL INSTRUMENT**

(71) Applicant: **NEXI ENTERTAINMENT B.V.**, CA Alphen aan den Rijn (NL)

(72) Inventor: **Franziska Faoro**, AH Deventer (NL)

(73) Assignee: **Nexi Entertainment B.V.**, CA Alphen aan den Rijn (NL)

(\*\*) Term: **15 Years**

(21) Appl. No.: **29/559,550**

(22) Filed: **Mar. 29, 2016**

(30) **Foreign Application Priority Data**

Sep. 30, 2015 (WO) ..... DM089 527

(51) **LOC (10) Cl.** ..... **17-03**

(52) **U.S. Cl.**  
USPC ..... **D17/20; D17/99**

(58) **Field of Classification Search**  
USPC ..... 84/20, 21, 177, 179, 184, 189, 216, 236, 84/237, 239, 384, 402, 422.1, 746;  
(Continued)

(56) **References Cited**

**U.S. PATENT DOCUMENTS**

1,882,960 A \* 10/1932 Sater ..... G10B 1/00  
84/354  
4,488,468 A \* 12/1984 Peterson ..... G10H 1/34  
200/86.5

(Continued)

**OTHER PUBLICATIONS**

Boss BCB-60 Pedal Board, posted at En.audiofanzine.com, posted on Jul. 9, 2013, [online], [site visited Nov. 7, 2016]. Available from Internet, <URL: <https://web.archive.org/web/20130709161530/http://en.audiofanzine.com/pedalboard-pedalcase/boss/BCB-60/medias/pictures/a.play,m.9686.html>>.\*

Boss BCB-6 Pedal Board, posted at En.Audiofanzine.com, posted on May 27, 2013, [online], [site visited Nov. 7, 2016]. Available from Internet, <URL: <https://web.archive.org/web/20130527134626/http://en.audiofanzine.com/pedalboard-pedalcase/boss/BCB-60/medias/pictures/a.play,m.507510.html>>.\*

(Continued)

*Primary Examiner* — Thomas Johannes

*Assistant Examiner* — Catherine Ho

(74) *Attorney, Agent, or Firm* — Andrew W. Chu; Craft Chu PLLC

(57) **CLAIM**

The ornamental design for a pedalboard for a musical instrument, as shown and described.

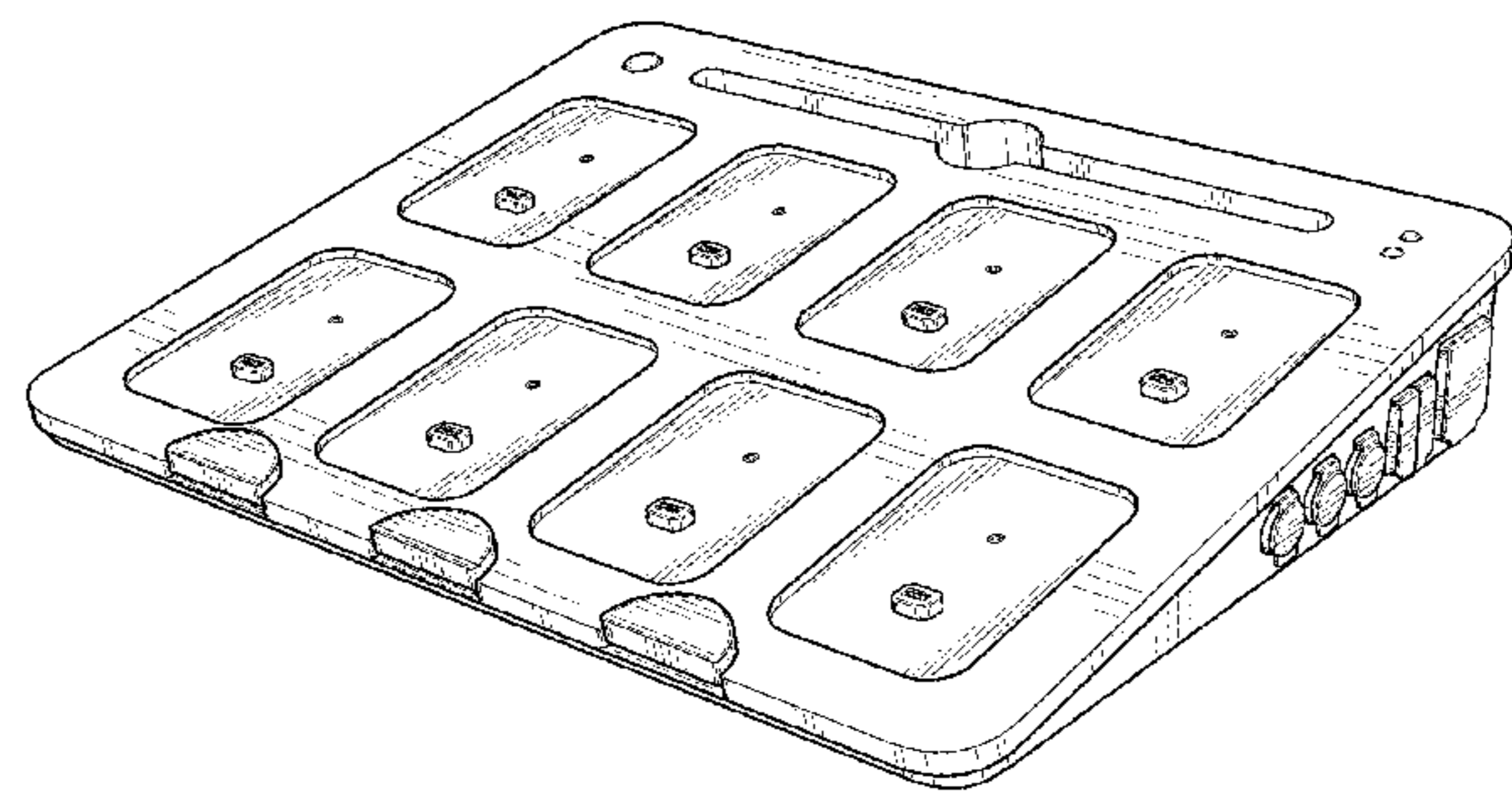
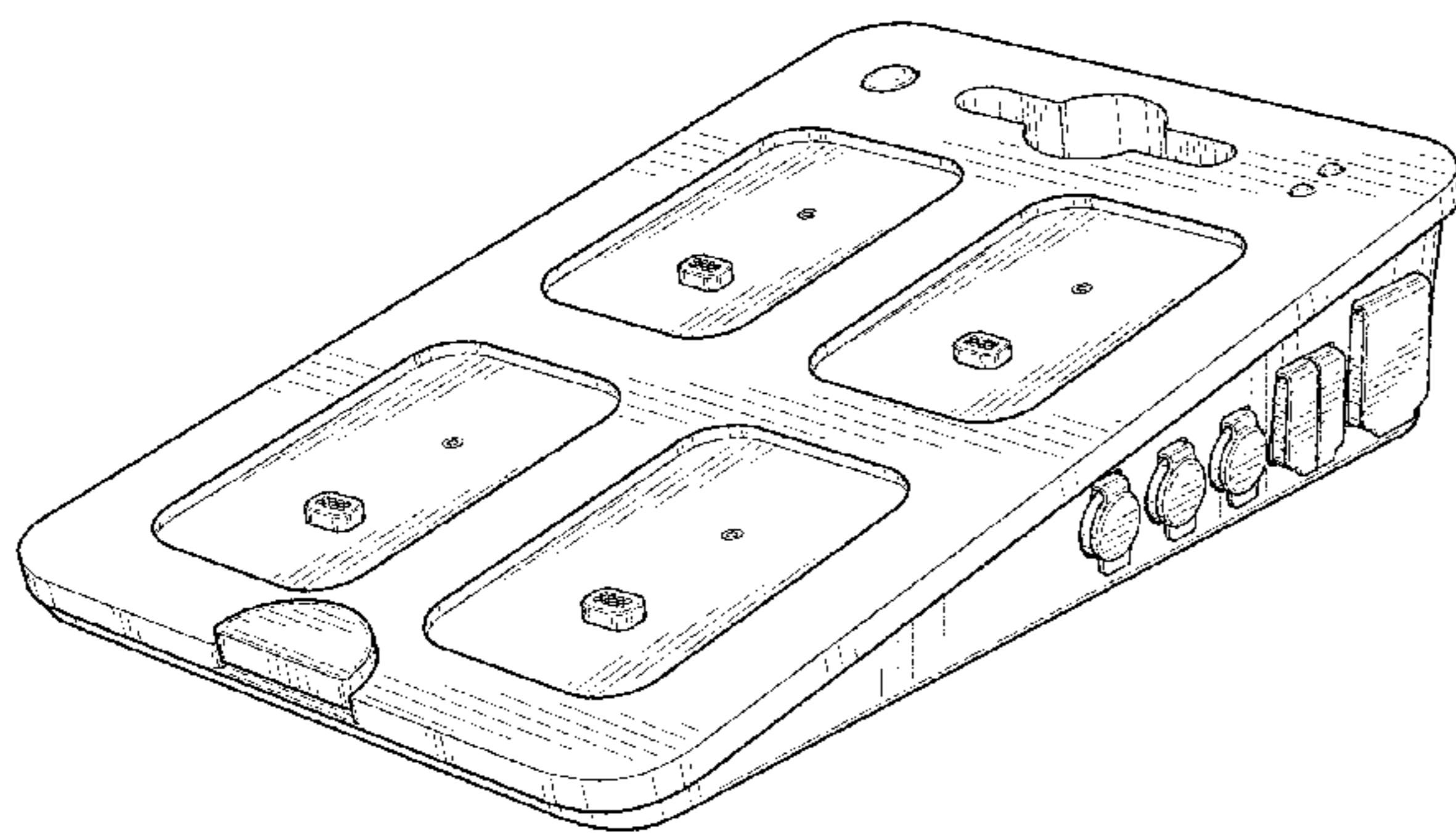
**DESCRIPTION**

FIG. 1 is a front perspective view of the pedalboard for a musical instrument showing my design. FIG. 2 is a front elevation view thereof; FIG. 3 is a back elevation view thereof; FIG. 4 is a side elevation view thereof; FIG. 5 is an opposite side elevation view thereof; FIG. 6 is a top plan view thereof; FIG. 7 is another upper perspective view, showing a second embodiment with six slots; FIG. 8 is another upper perspective view, showing the third embodiment with eight slots; FIG. 9 is another upper perspective view, showing a third embodiment with eight slots with unclaimed environment; and, FIG. 10 is another upper perspective view, showing the first embodiment with unclaimed environment.

The side views in all embodiments are the same. The front and back views are similar in all embodiments, only changing in length according to the number of slots.

The broken line showing of parts of the drawings is included for the purpose of illustrating environment and forms no part of the claimed design.

**1 Claim, 5 Drawing Sheets**



(58) **Field of Classification Search**

USPC ..... 211/41.17; 364/802; D1/106; D6/716;  
 D13/167; D17/1, 7, 9, 10, 20, 22, 99;  
 D21/405, 406, 408, 409; D24/194  
 CPC .. A47G 27/0212; G10G 7/005; G10H 1/0091;  
 G10H 1/32; G10H 1/34; G10H 1/348;  
 G10H 3/186; G10C 3/02; G10C 3/00;  
 H04R 1/08; H04R 17/02; H04R 19/04

See application file for complete search history.

2004/0182230 A1\* 9/2004 Vlant ..... G10H 1/348  
 84/662  
 2004/0250673 A1\* 12/2004 Salerno ..... G10H 1/32  
 84/746  
 2006/0120550 A1\* 6/2006 McCann ..... H04R 1/08  
 381/363  
 2011/0303077 A1\* 12/2011 Vinciguerra ..... G10H 1/0091  
 84/746  
 2015/0325224 A1\* 11/2015 Manosa Ripoll ..... G10H 1/32  
 84/444  
 2016/0171959 A1\* 6/2016 Canivell Grifols ..... G10G 5/00  
 84/453

(56)

**References Cited**

U.S. PATENT DOCUMENTS

5,866,829 A \* 2/1999 Pecoraro ..... G10H 1/32  
 84/177  
 6,538,185 B1 \* 3/2003 Stratton ..... G10H 1/348  
 84/422.1  
 D503,173 S 3/2005 Hussaini et al.  
 D520,553 S 5/2006 Bogdan et al.  
 D561,241 S 2/2008 Ridinger  
 7,820,904 B1 \* 10/2010 Robling ..... G10H 1/348  
 84/600  
 8,642,870 B1 \* 2/2014 Rosa ..... A47G 27/0212  
 84/453

OTHER PUBLICATIONS

The Rig Evolution Thread, posted at Ultimate-guitar.com posted on Jul. 25, 2010, [online], [site visited Nov. 7, 2016]. Available from Internet, <URL: <https://www.ultimate-guitar.com/forum/showthread.php?t=1342757>>.\*

Big Shot Deluxe Pedalboard/Case Combo, posted at Nycpedalboard.com, posted on Jun. 15, 2013, [online], [site visited Nov. 7, 2016]. Available from Internet, <URL: <https://web.archive.org/web/20130615090051/http://www.nycpedalboards.com/big-shot-deluxe-pedalboard-case-combo/>>.\*

\* cited by examiner

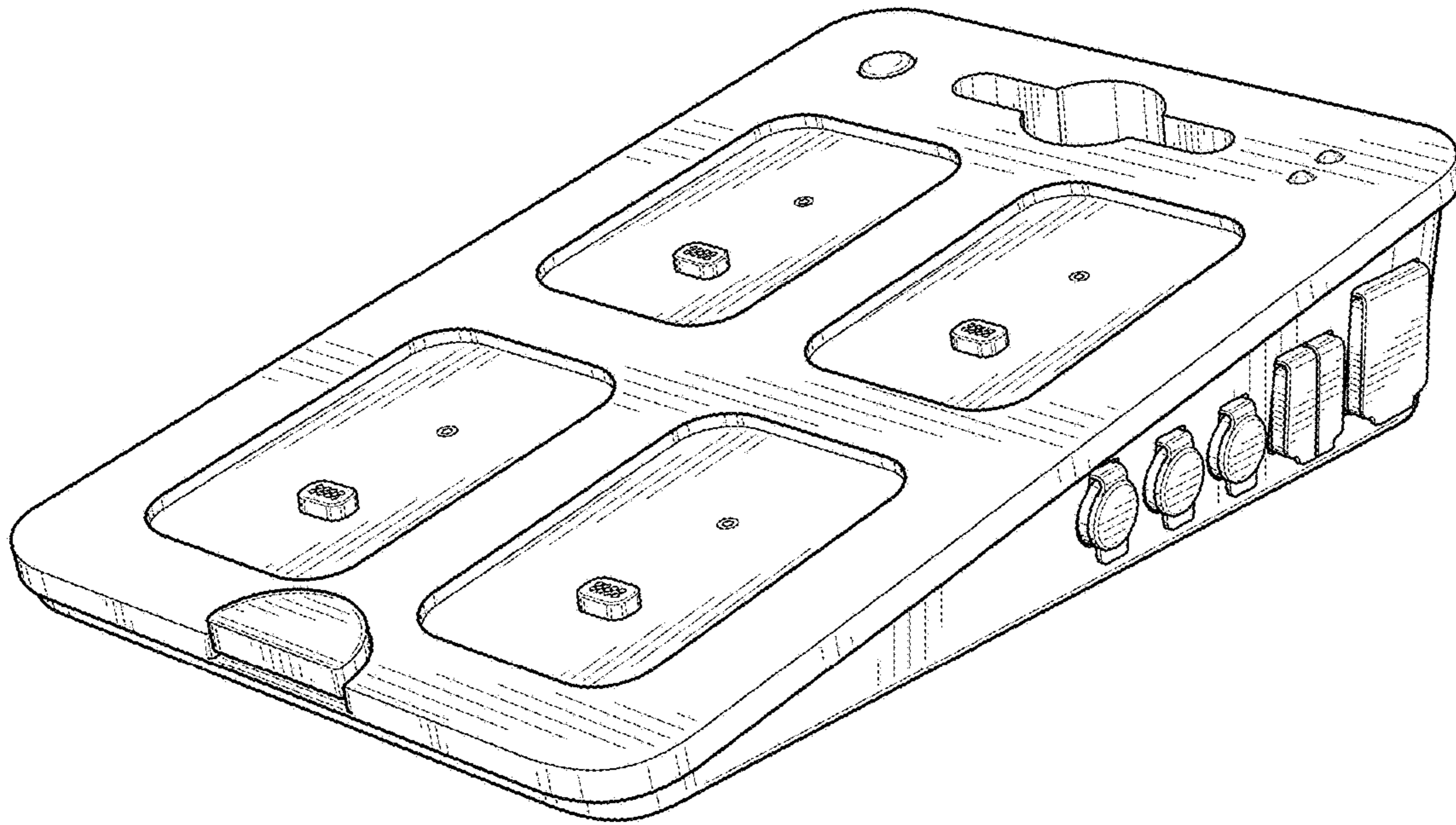


FIG. 1

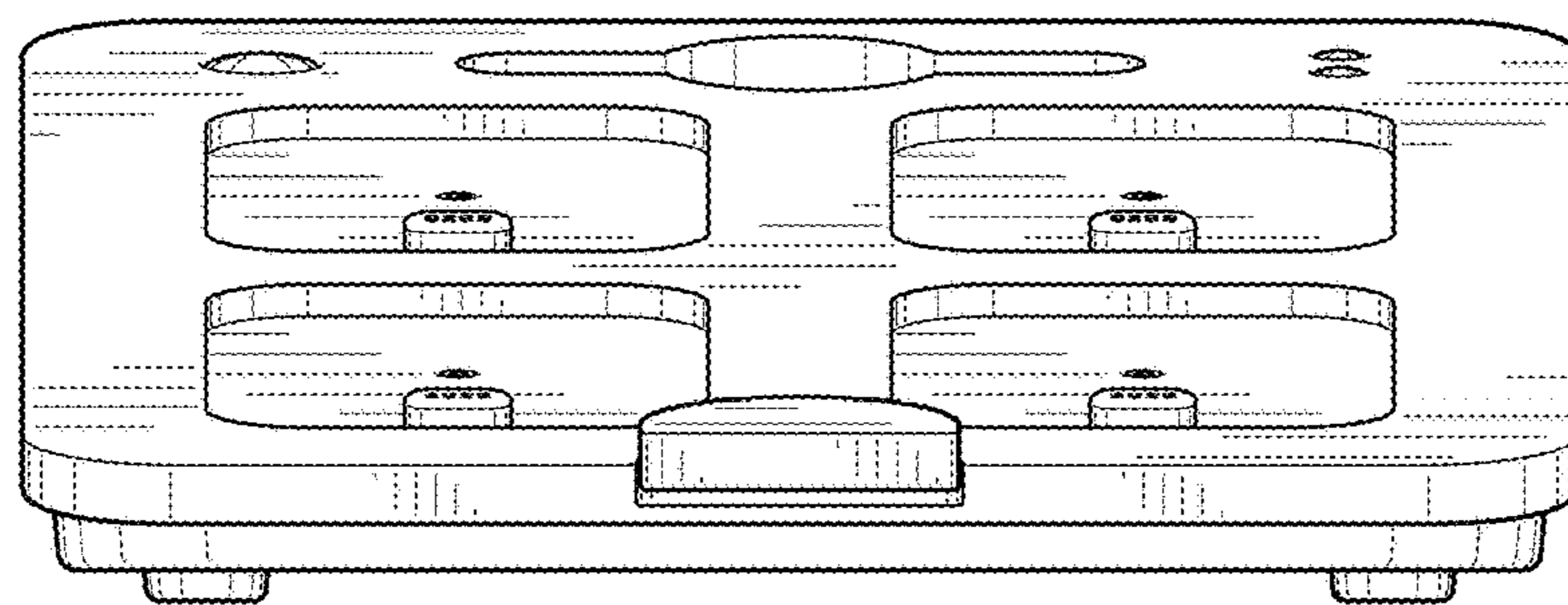
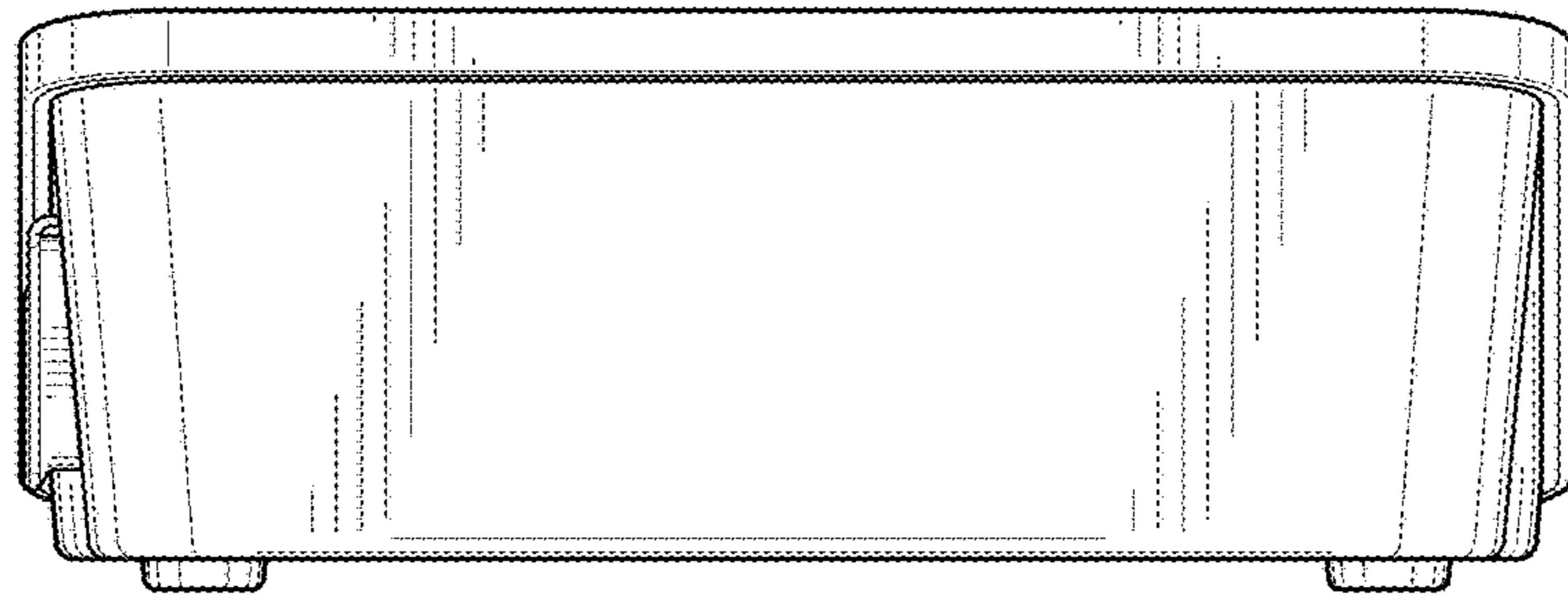
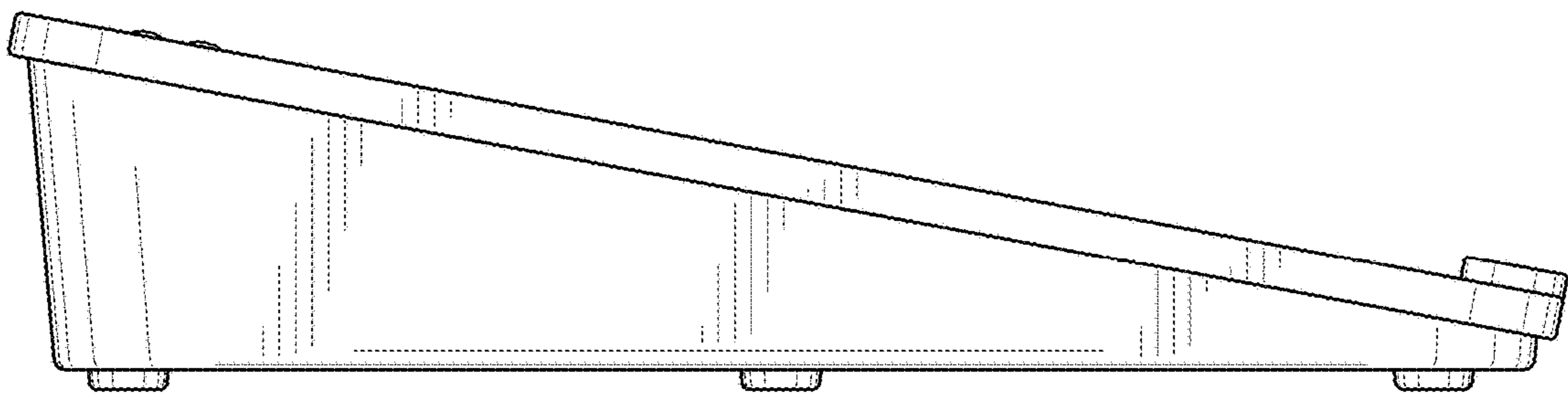


FIG. 2

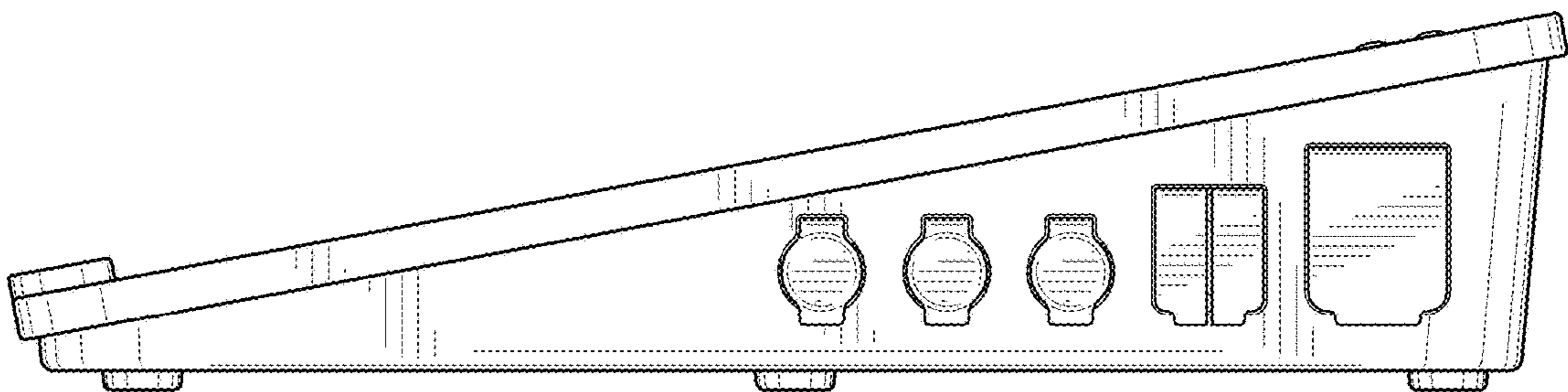




*FIG. 3*



*FIG. 4*



*FIG. 5*

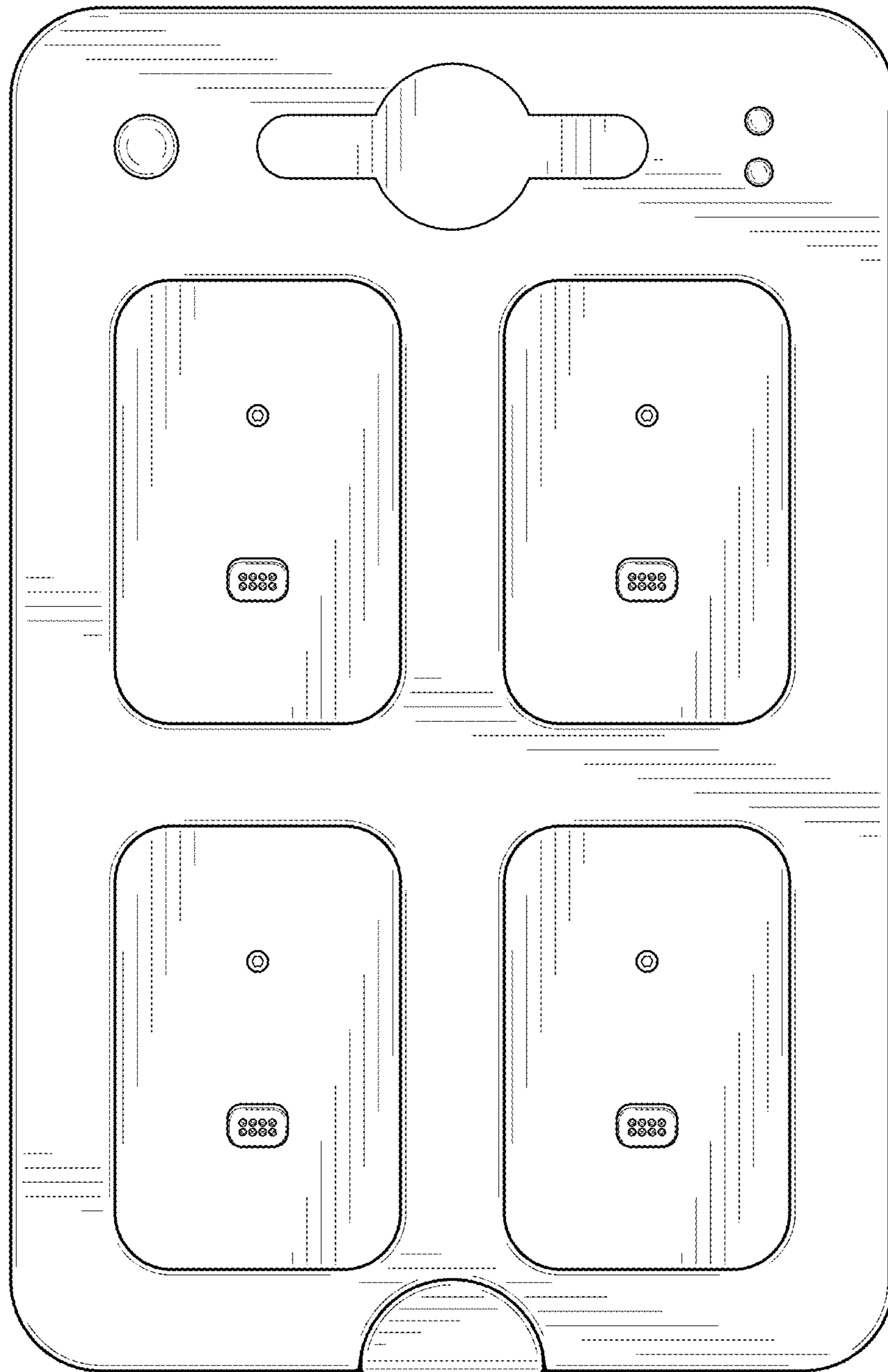


FIG. 6

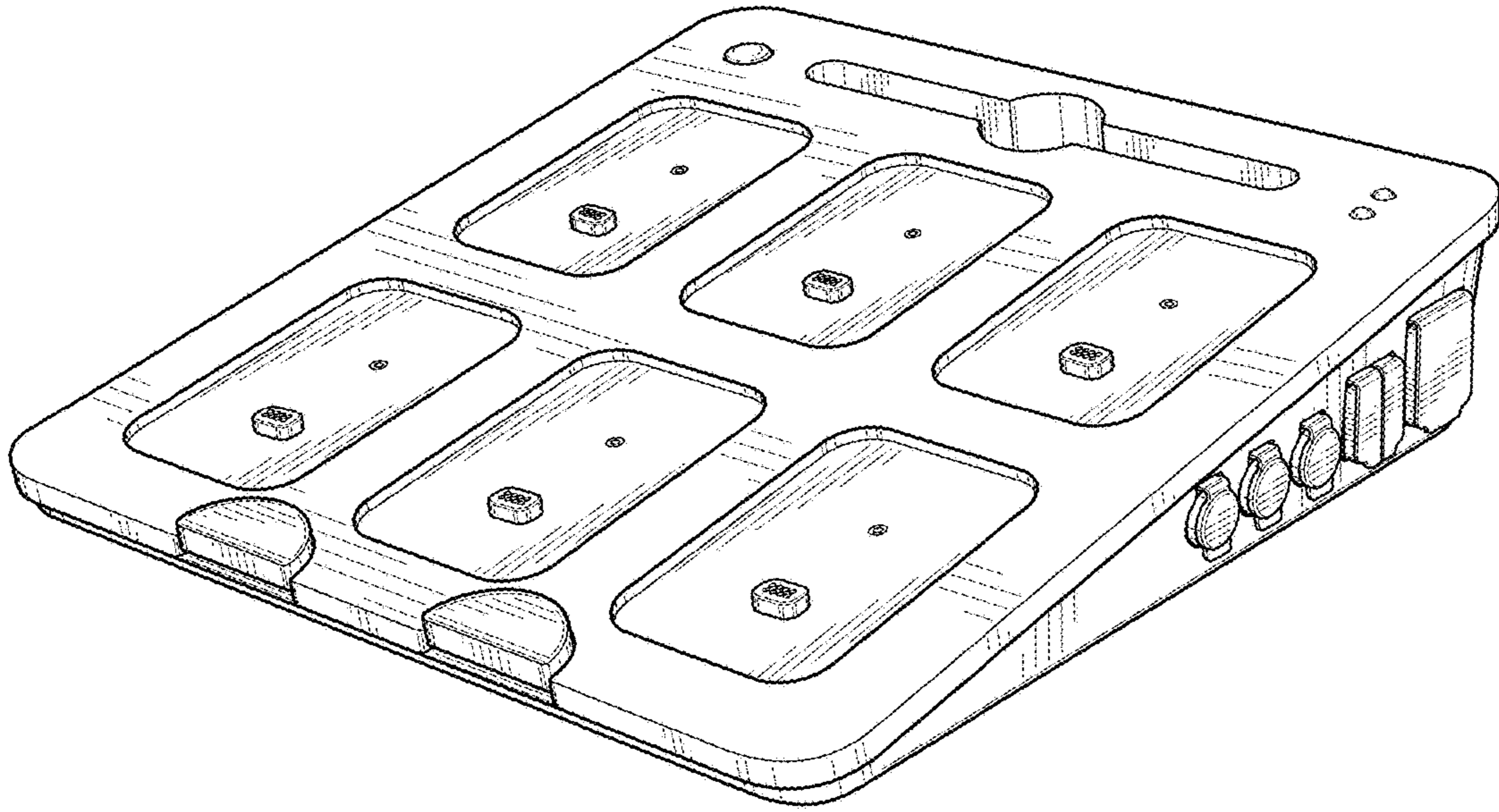


FIG. 7

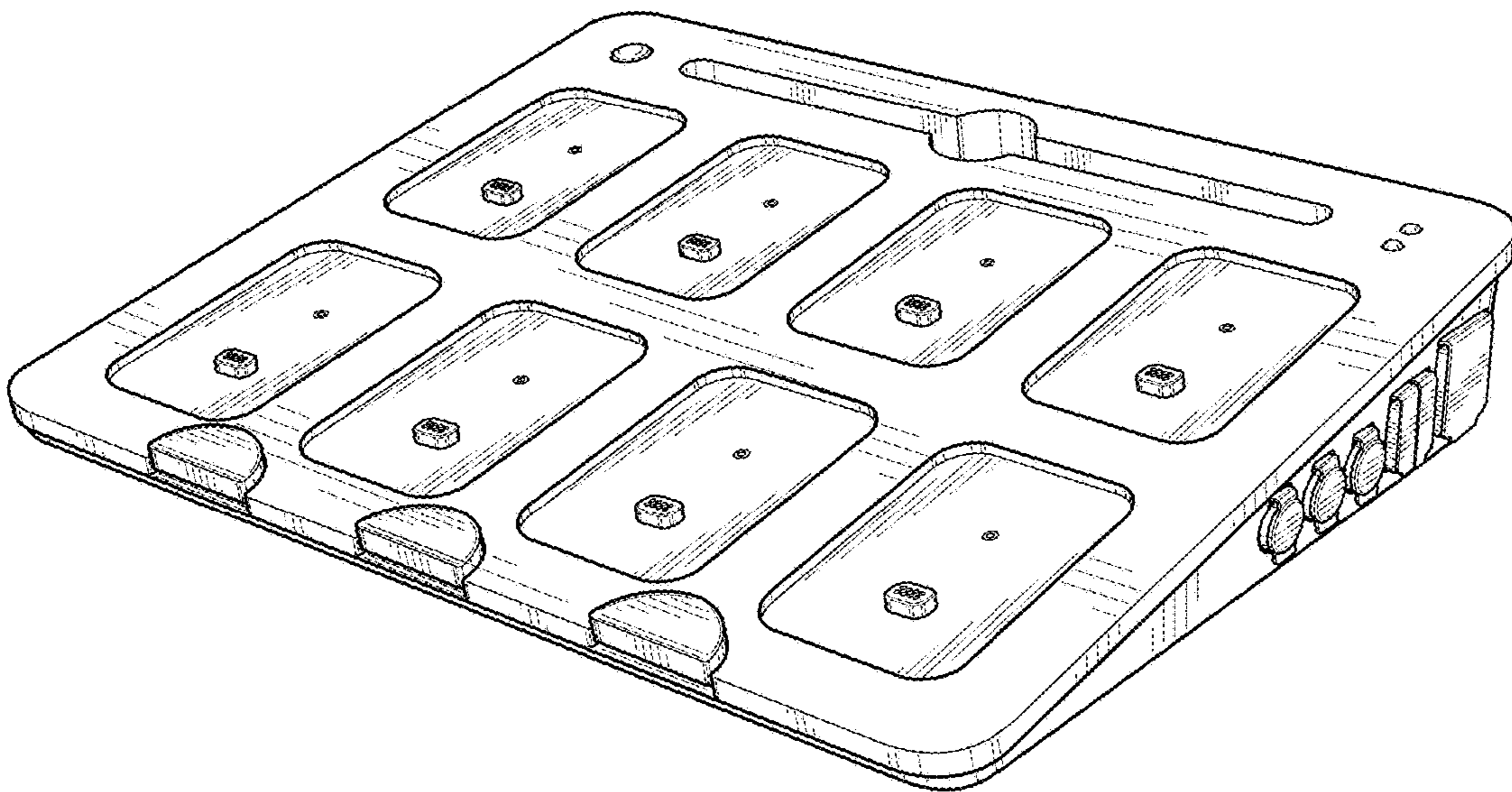


FIG. 8



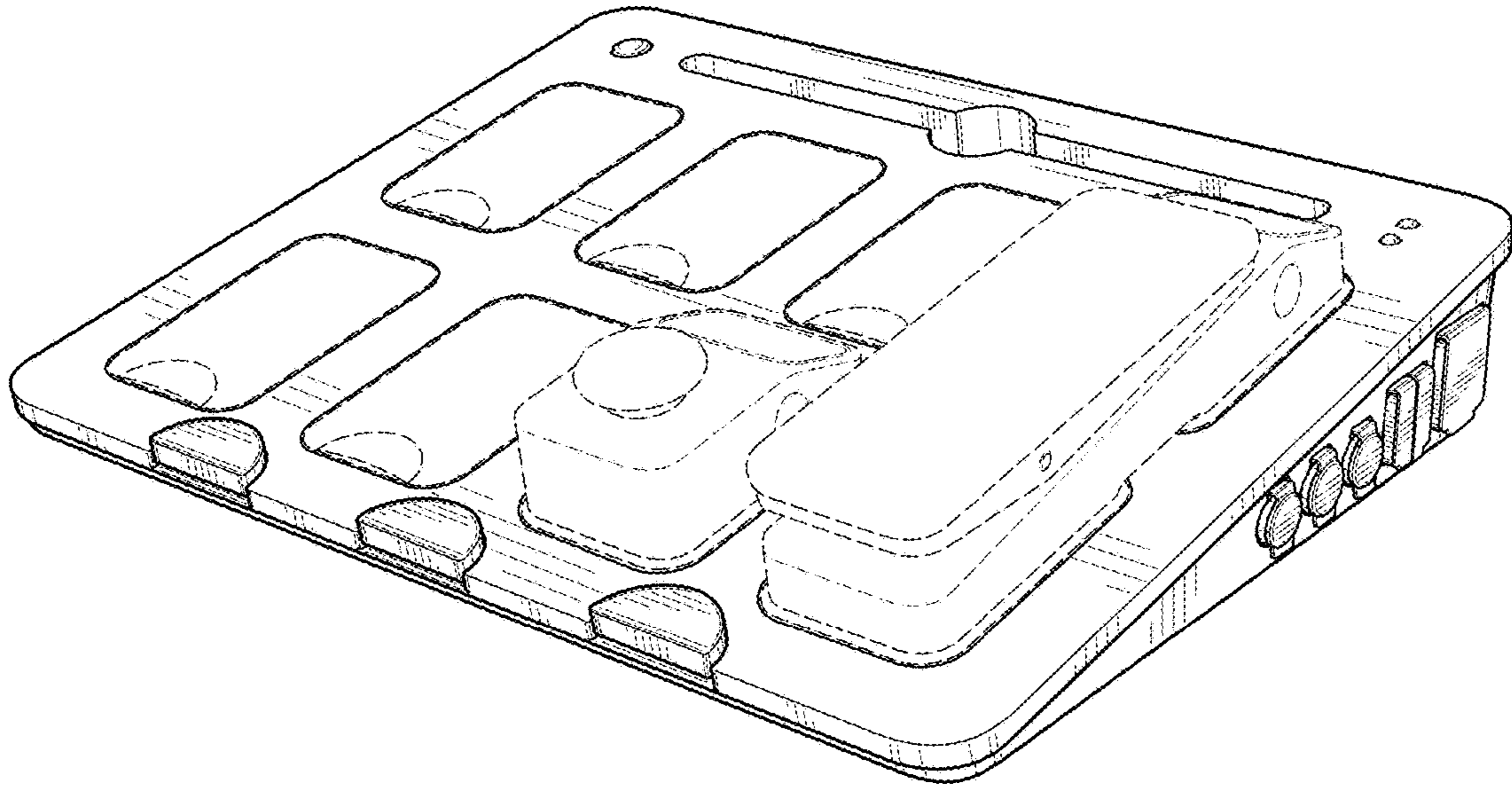


FIG. 9

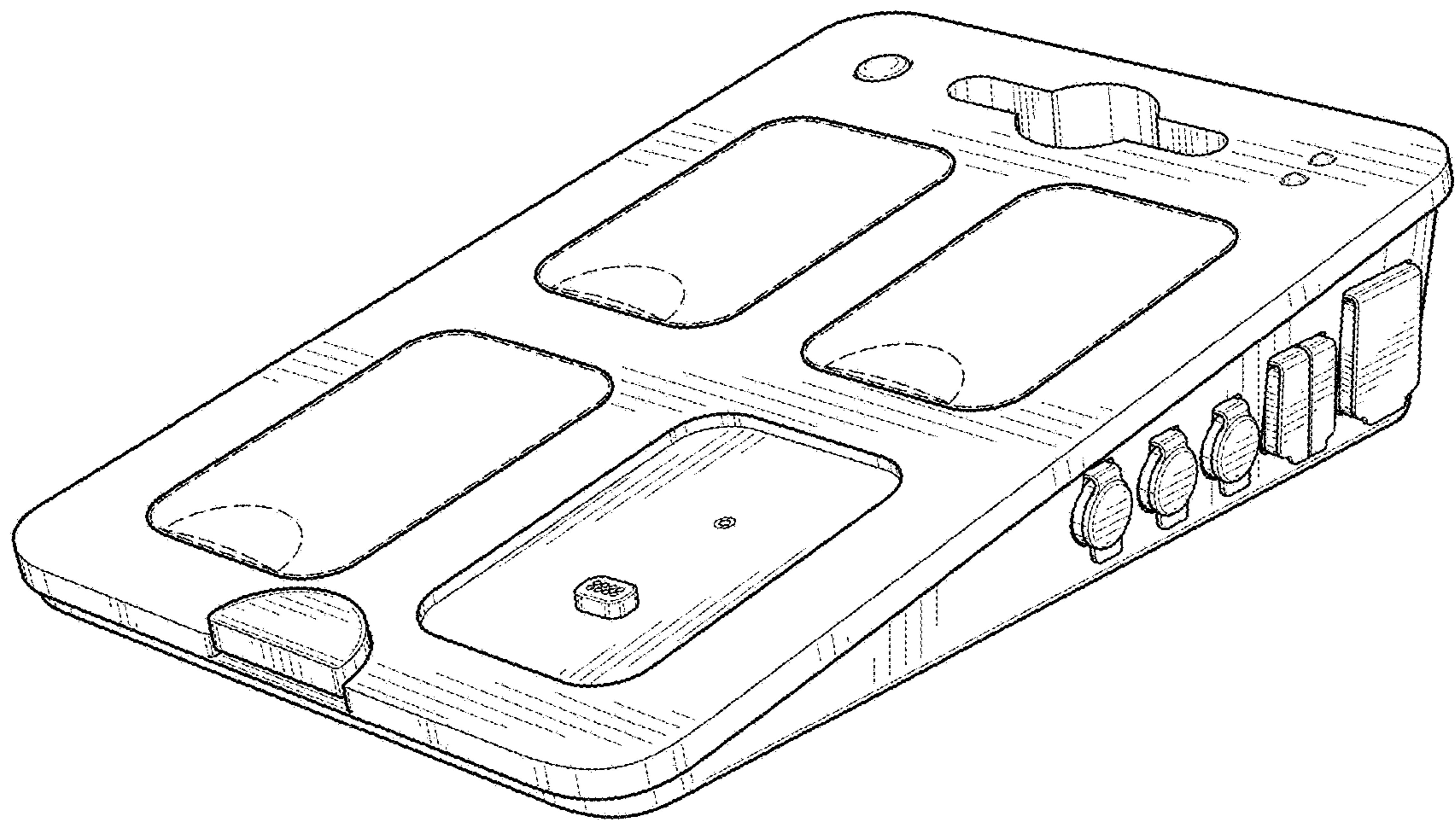


FIG. 10