



US00D782565S

(12) **United States Design Patent**
Paterson

(10) **Patent No.:** **US D782,565 S**
(45) **Date of Patent:** **** Mar. 28, 2017**

(54) **PICK HOLDER**

- (71) Applicant: **Robert Bruce Paterson**, Tenafly, NJ (US)
- (72) Inventor: **Robert Bruce Paterson**, Tenafly, NJ (US)
- (**) Term: **15 Years**
- (21) Appl. No.: **29/544,822**
- (22) Filed: **Nov. 6, 2015**
- (51) **LOC (10) Cl.** **17-03**
- (52) **U.S. Cl.**
USPC **D17/20; D3/215**
- (58) **Field of Classification Search**
USPC **D17/14-21, 99; D11/78.1**
(Continued)

(56) **References Cited**

U.S. PATENT DOCUMENTS

- 3,100,494 A * 8/1963 Littman A45C 1/02
24/561
- D258,996 S * 4/1981 Costantino D11/204
(Continued)

Primary Examiner — Sheryl Lane
Assistant Examiner — Calvin E Vansant
 (74) *Attorney, Agent, or Firm* — Garcia-Zamor IP Law;
 Ruy M. Garcia-Zamor

(57) **CLAIM**

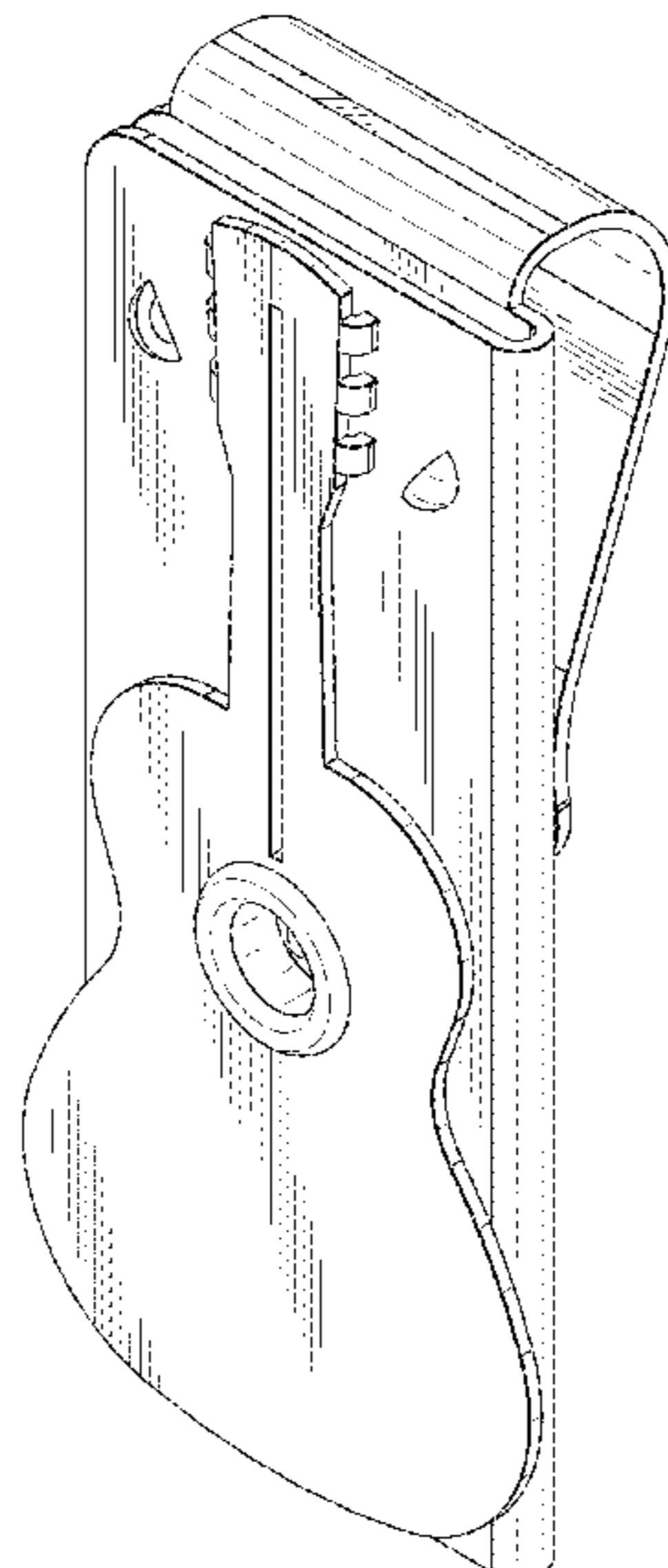
I claim a new ornamental design for a pick holder, as shown and described.

DESCRIPTION

FIG. 1 is a front perspective view of a pick holder according to a first preferred embodiment of the present invention;

FIG. 2 is a rear perspective view of the pick holder of FIG. 1;
 FIG. 3 is a front side elevational view of the pick holder of FIG. 1;
 FIG. 4 is a left side elevational view of the pick holder of FIG. 1;
 FIG. 5 is a right side elevational of the pick holder of FIG. 1;
 FIG. 6 is a rear elevational view of the pick holder of FIG. 1;
 FIG. 7 is a top plan view of the pick holder of FIG. 1;
 FIG. 8 is a bottom plan view of the pick holder of FIG. 1;
 FIG. 9 is a top perspective view of the pick holder of FIG. 1;
 FIG. 10 is an alternate front perspective view of the pick holder of FIG. 1 illustrating additional environment that is not part of the claimed design;
 FIG. 11 is a front perspective view of a pick holder according to a second preferred embodiment of the present invention;
 FIG. 12 is a rear perspective view of the pick holder of FIG. 11;
 FIG. 13 is a front side elevational view of the pick holder of FIG. 11;
 FIG. 14 is a left side elevational view of the pick holder of FIG. 11;
 FIG. 15 is a right side elevational of the pick holder of FIG. 11;
 FIG. 16 is a rear elevational view of the pick holder of FIG. 11;
 FIG. 17 is a top plan view of the pick holder of FIG. 11;
 FIG. 18 is a bottom plan view of the pick holder of FIG. 11;
 FIG. 19 is a top perspective view of the pick holder of FIG. 11; and,
 FIG. 20 is an alternate front perspective view of the pick holder of FIG. 11 illustrating additional environment that is not part of the claimed design.
 The broken lines depict environmental subject matter only and form no part of the claim.

1 Claim, 10 Drawing Sheets



(58) **Field of Classification Search**

CPC G10D 3/00; G10D 3/16; G10D 3/163; G10H
3/00; G10H 3/18

See application file for complete search history.

(56) **References Cited**

U.S. PATENT DOCUMENTS

4,785,708	A	11/1988	Vaughan	
D309,674	S *	8/1990	Gervase	224/247
5,231,238	A	7/1993	Adams	
D363,453	S *	10/1995	Herd	D11/78.1
D372,358	S *	8/1996	Mathison	D11/78.1
D390,493	S *	2/1998	Fletcher	D11/78.1
6,140,564	A	10/2000	Pia	
6,215,052	B1 *	4/2001	Giddens	G10D 3/163 211/120
6,933,430	B2	8/2005	Oskorep	
7,417,184	B2	8/2008	Weathersby	
7,626,103	B1	12/2009	Phillips	
D677,193	S *	3/2013	MacDonald	D11/78.1
D710,741	S *	8/2014	Hirschorn	D11/78.1
9,018,502	B2	4/2015	Aletto	

* cited by examiner

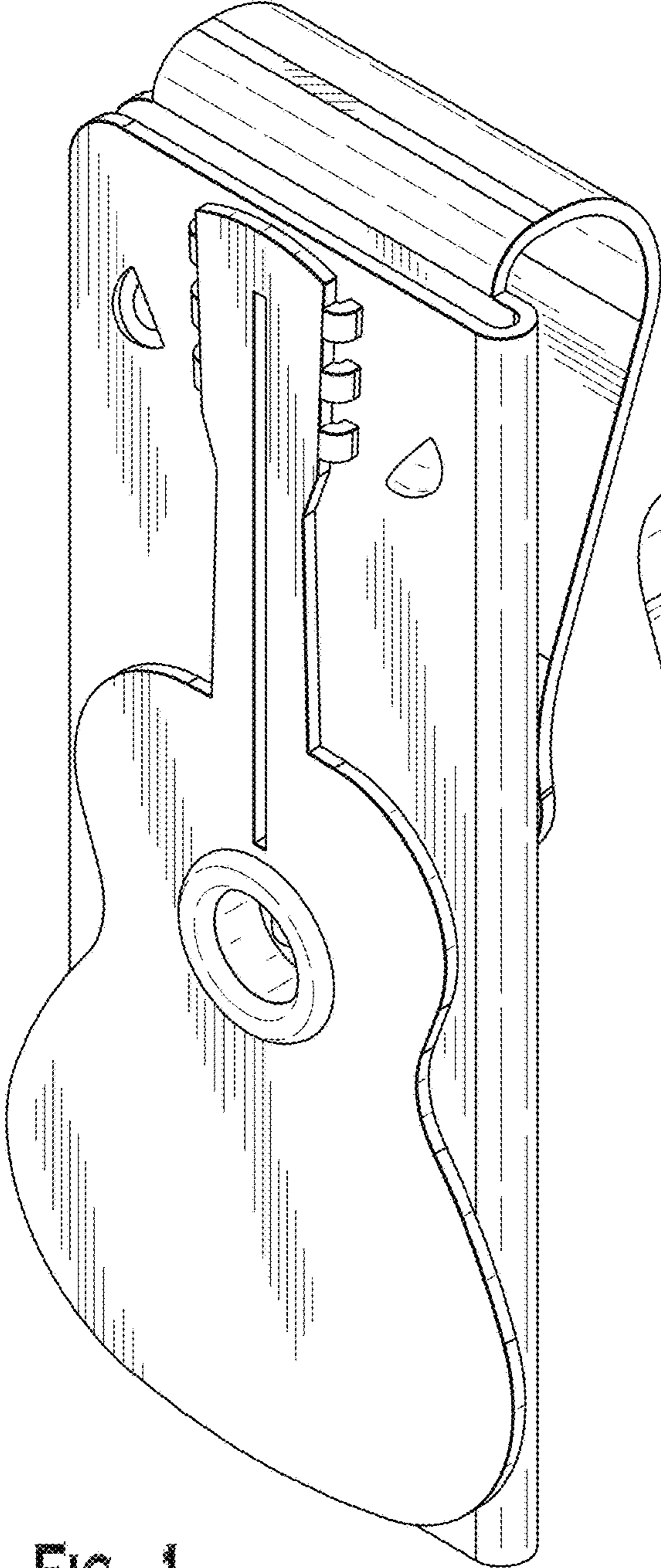


FIG. 1

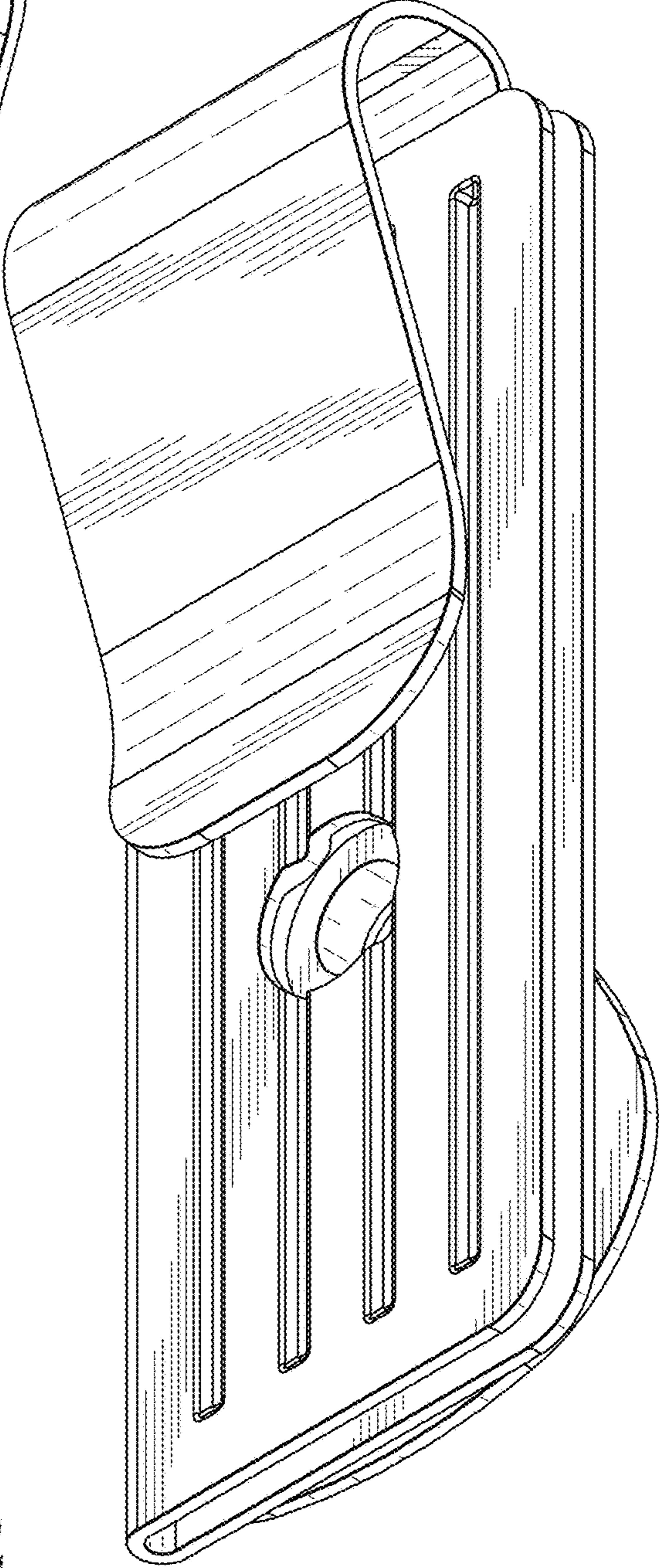


FIG. 2

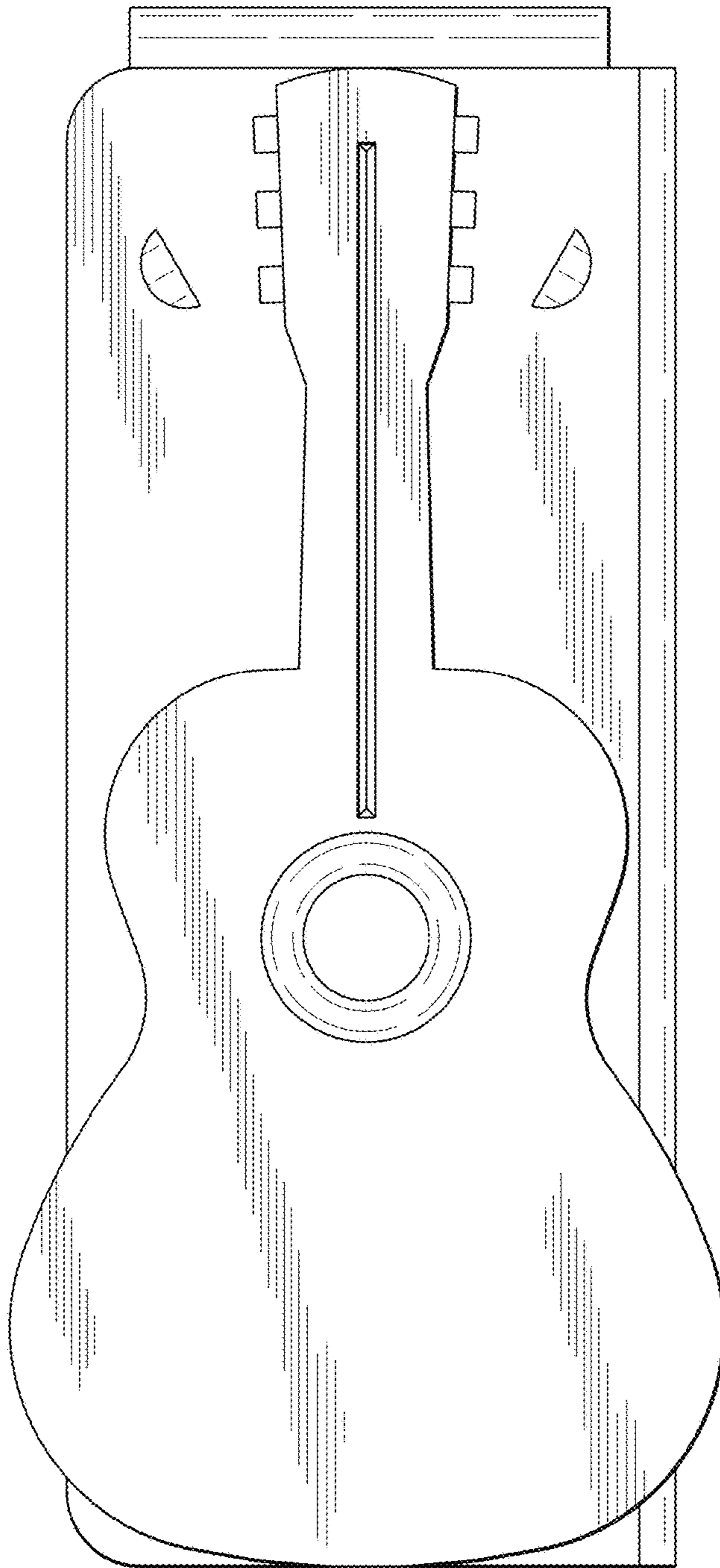


FIG. 3

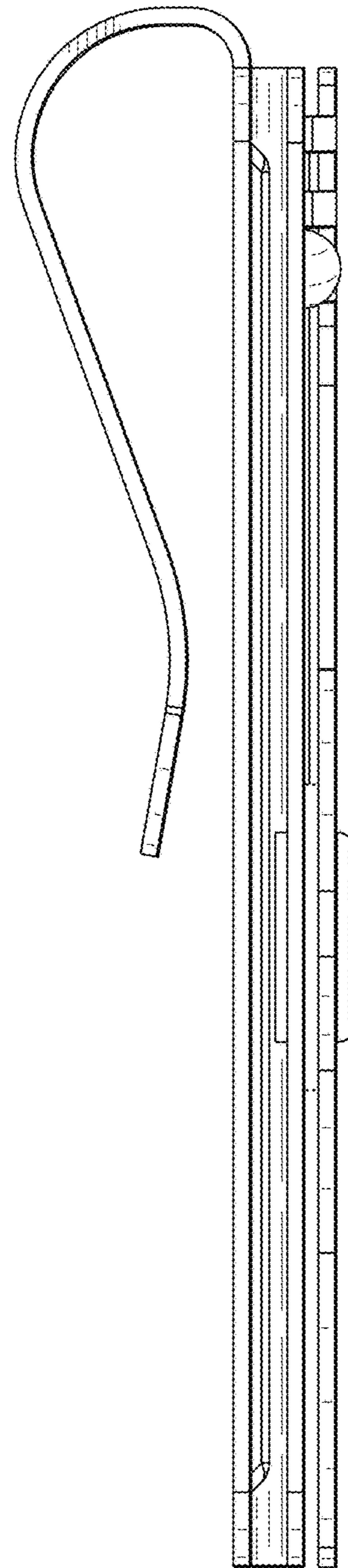


FIG. 4

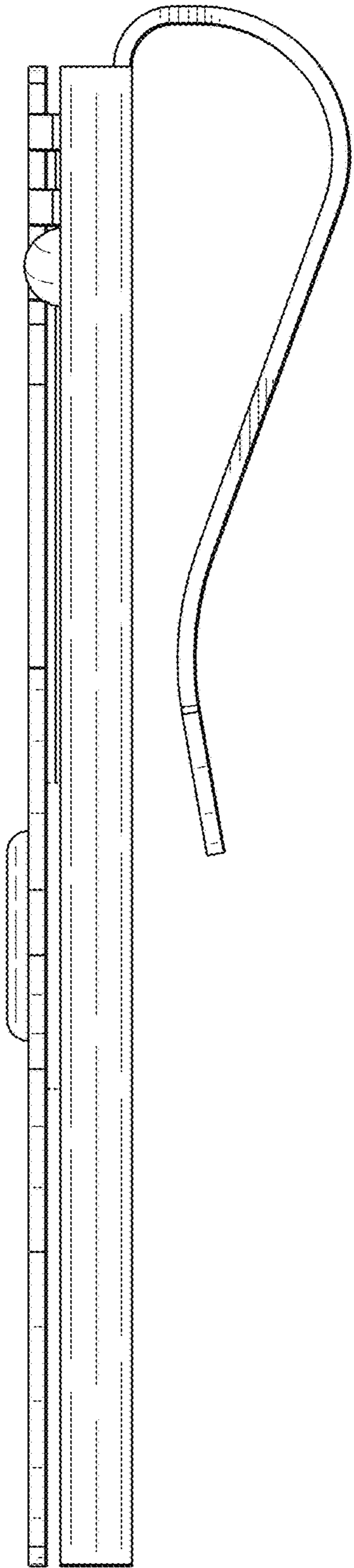


FIG. 5

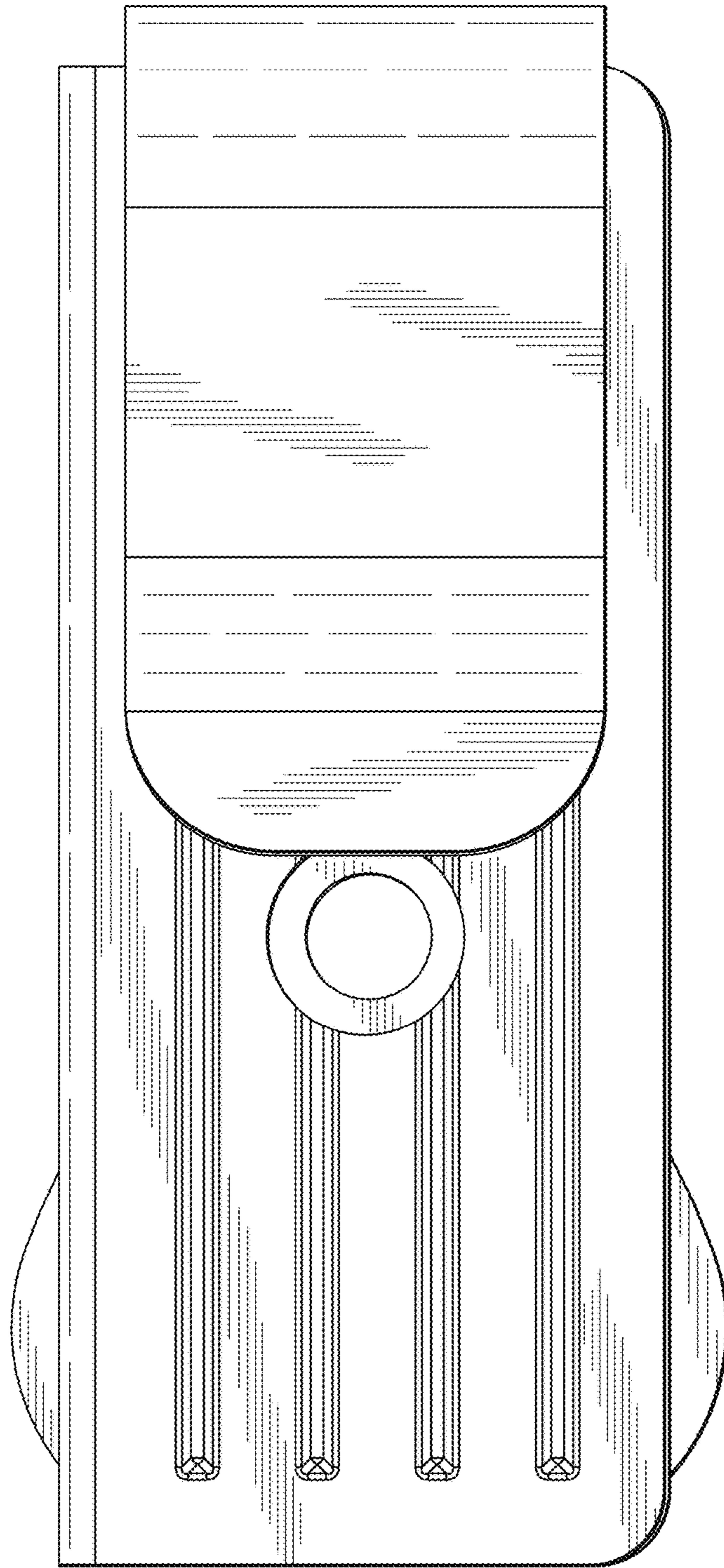


FIG. 6

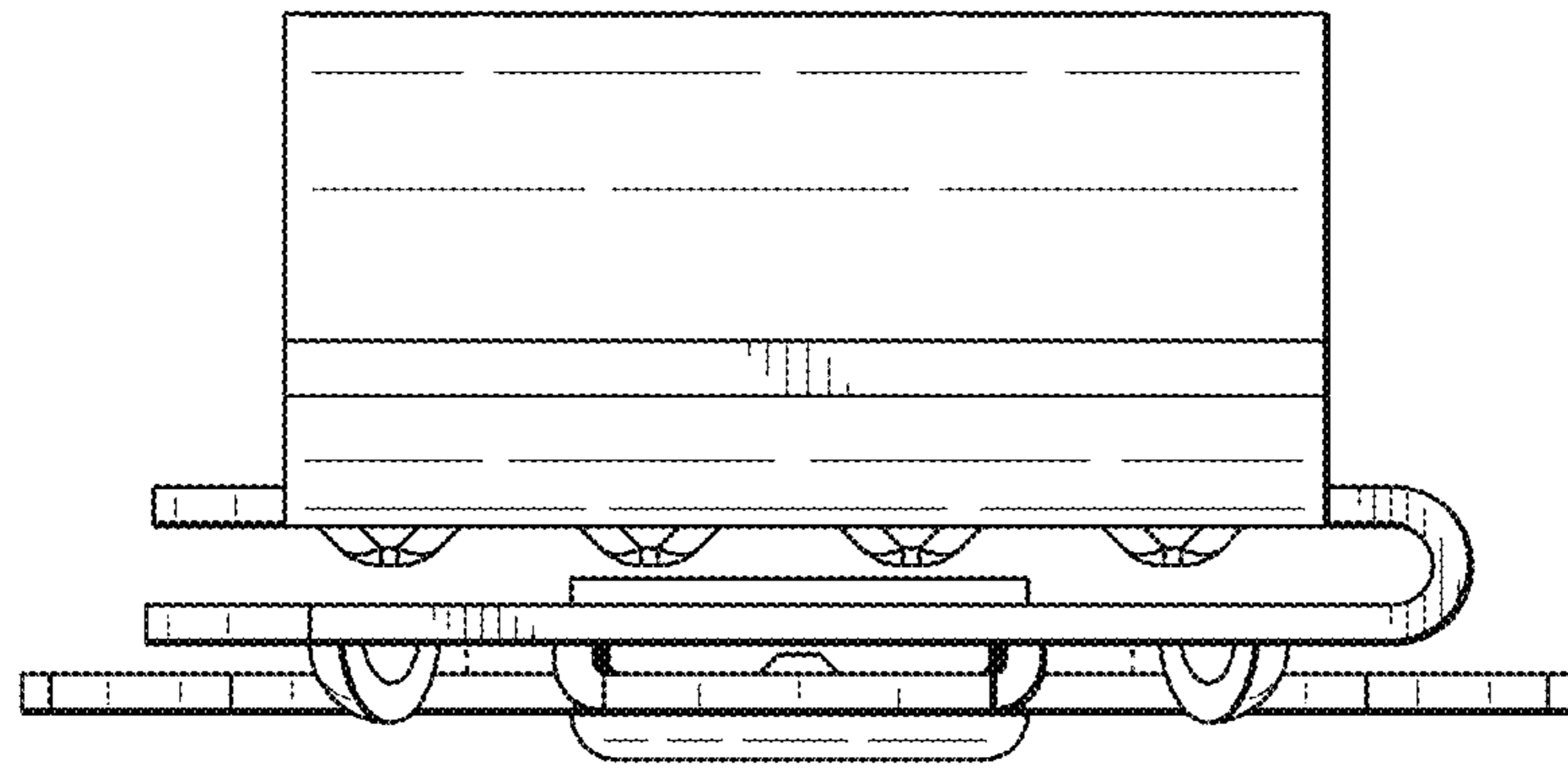


FIG. 7

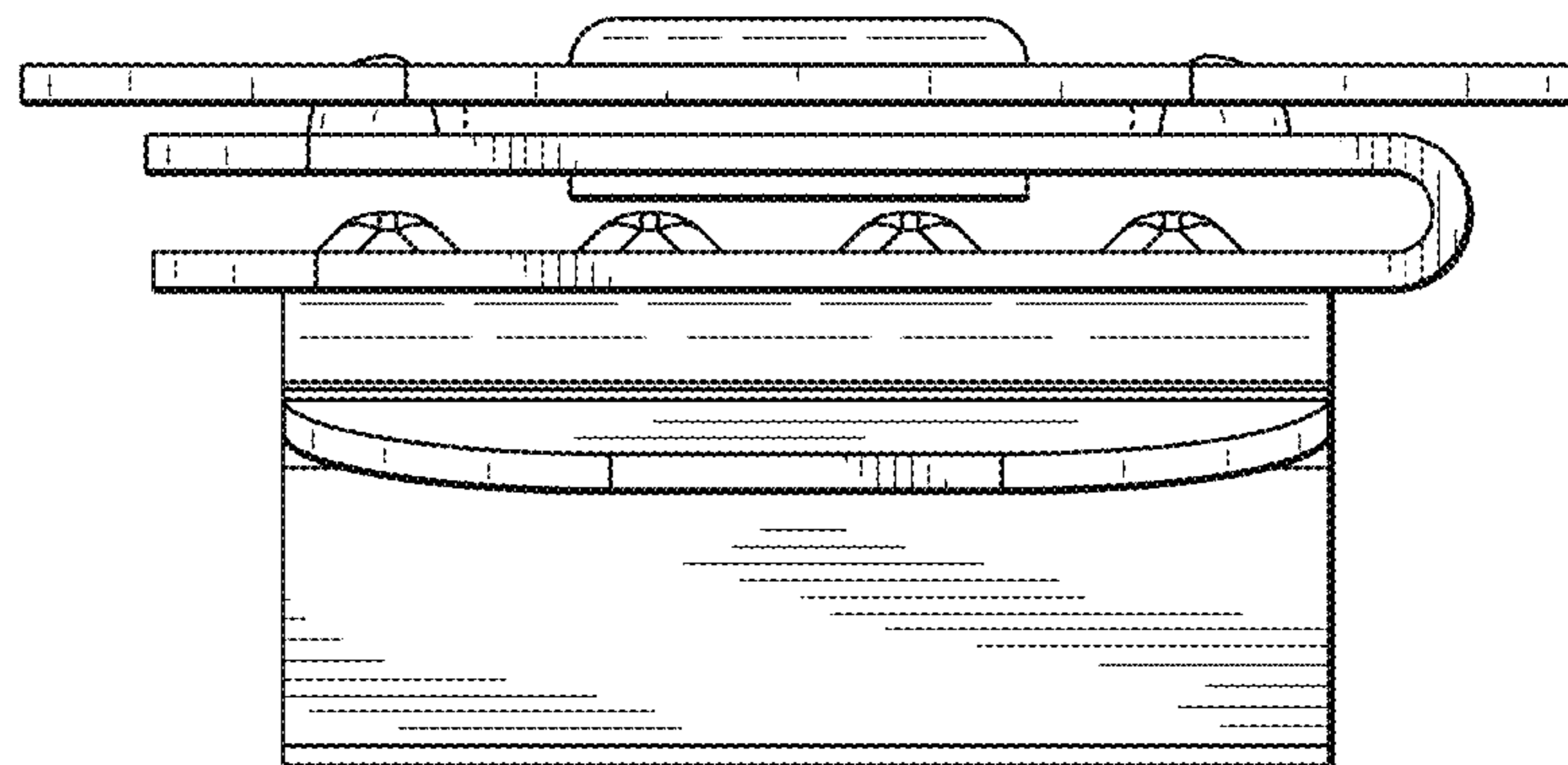


FIG. 8

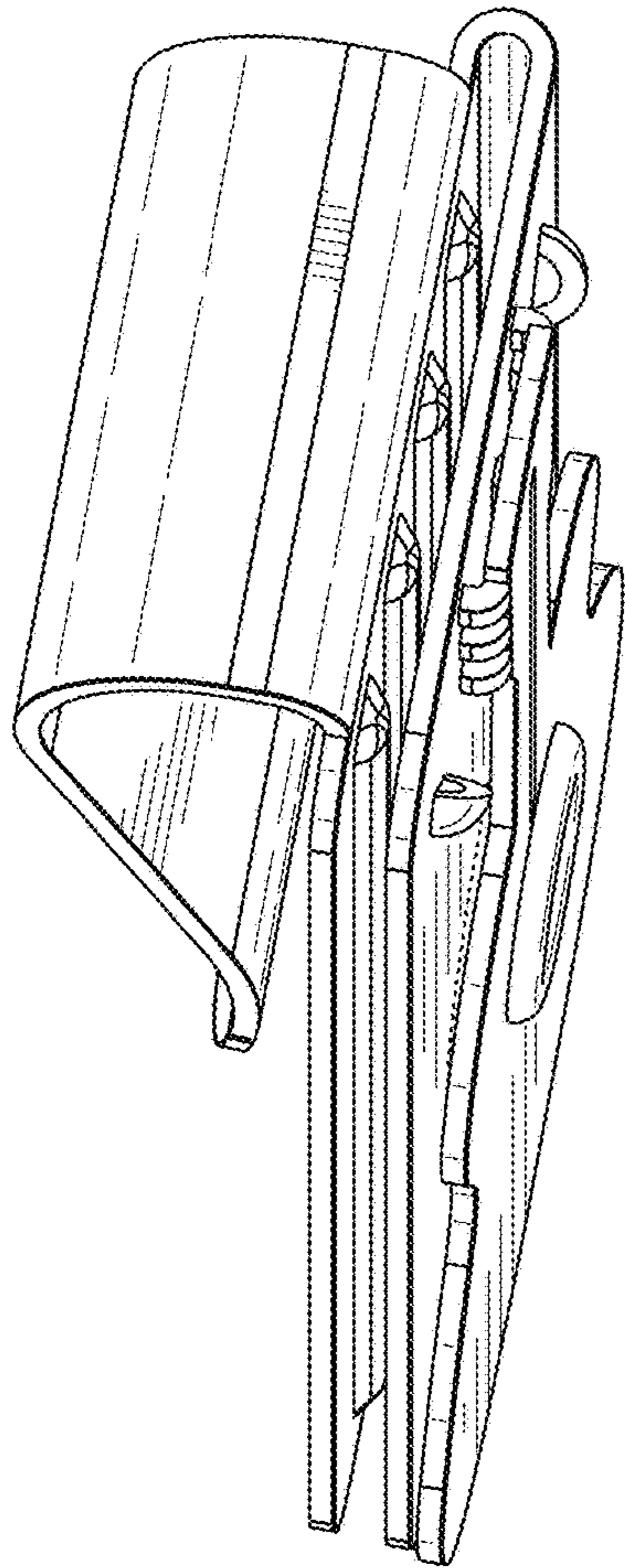


FIG. 9

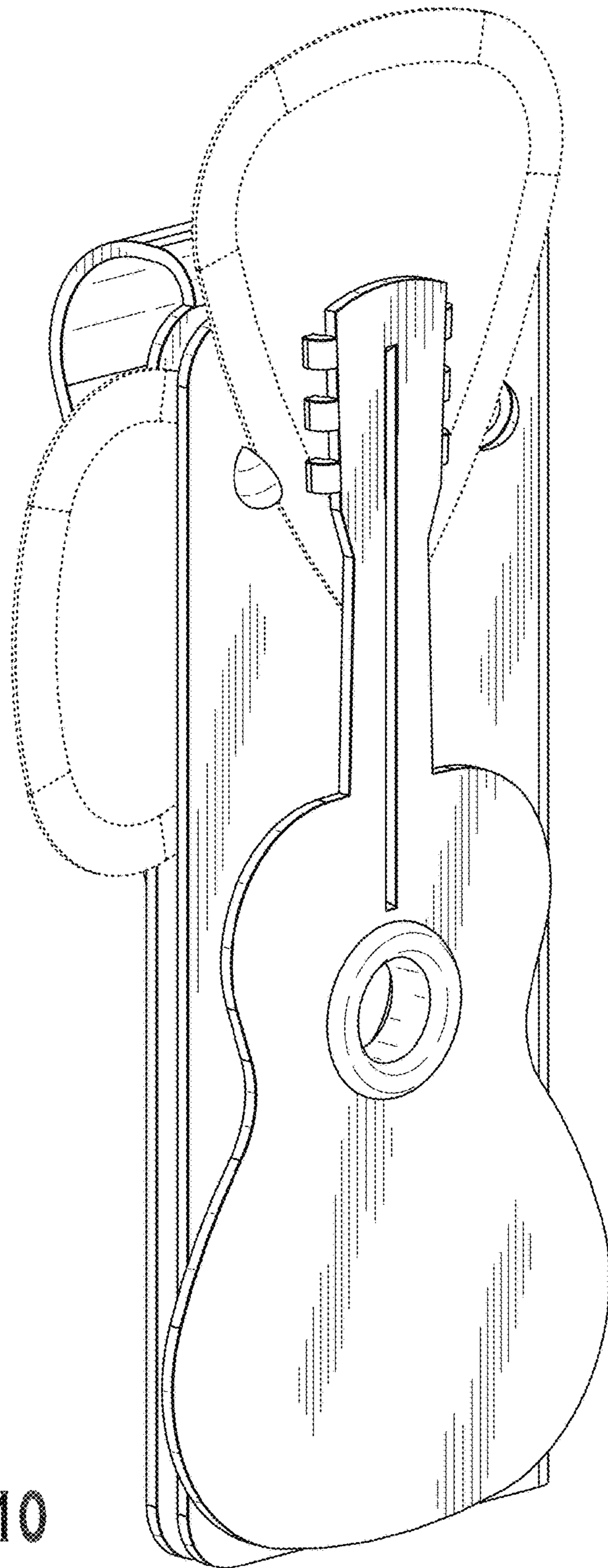


FIG. 10

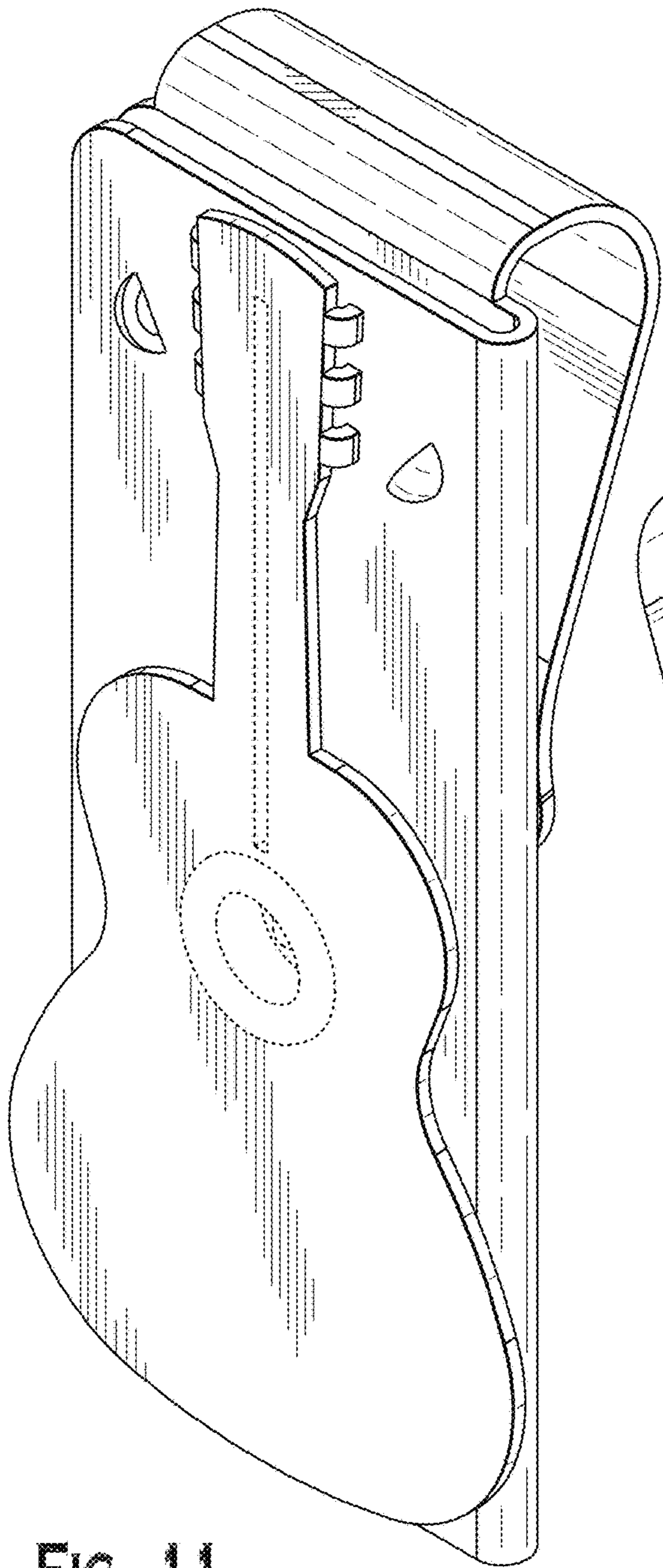


FIG. 11

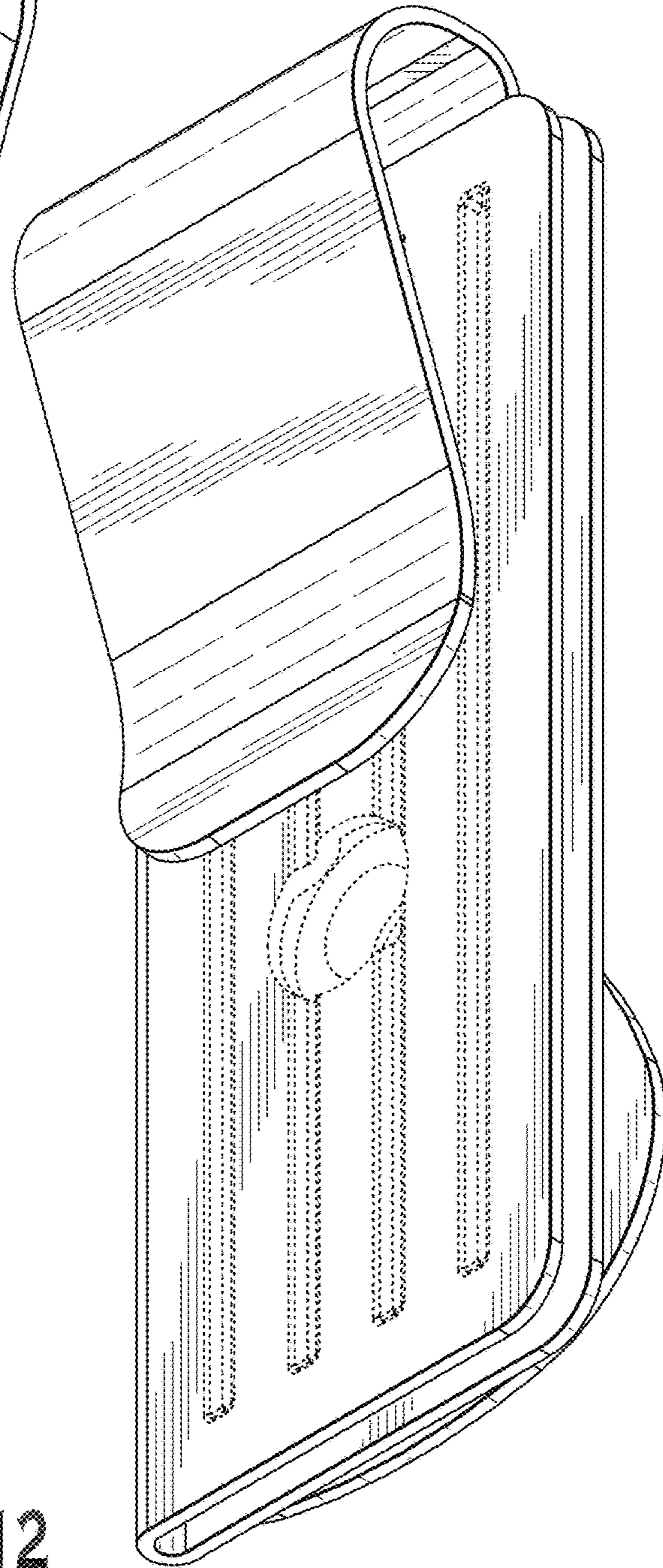


FIG. 12

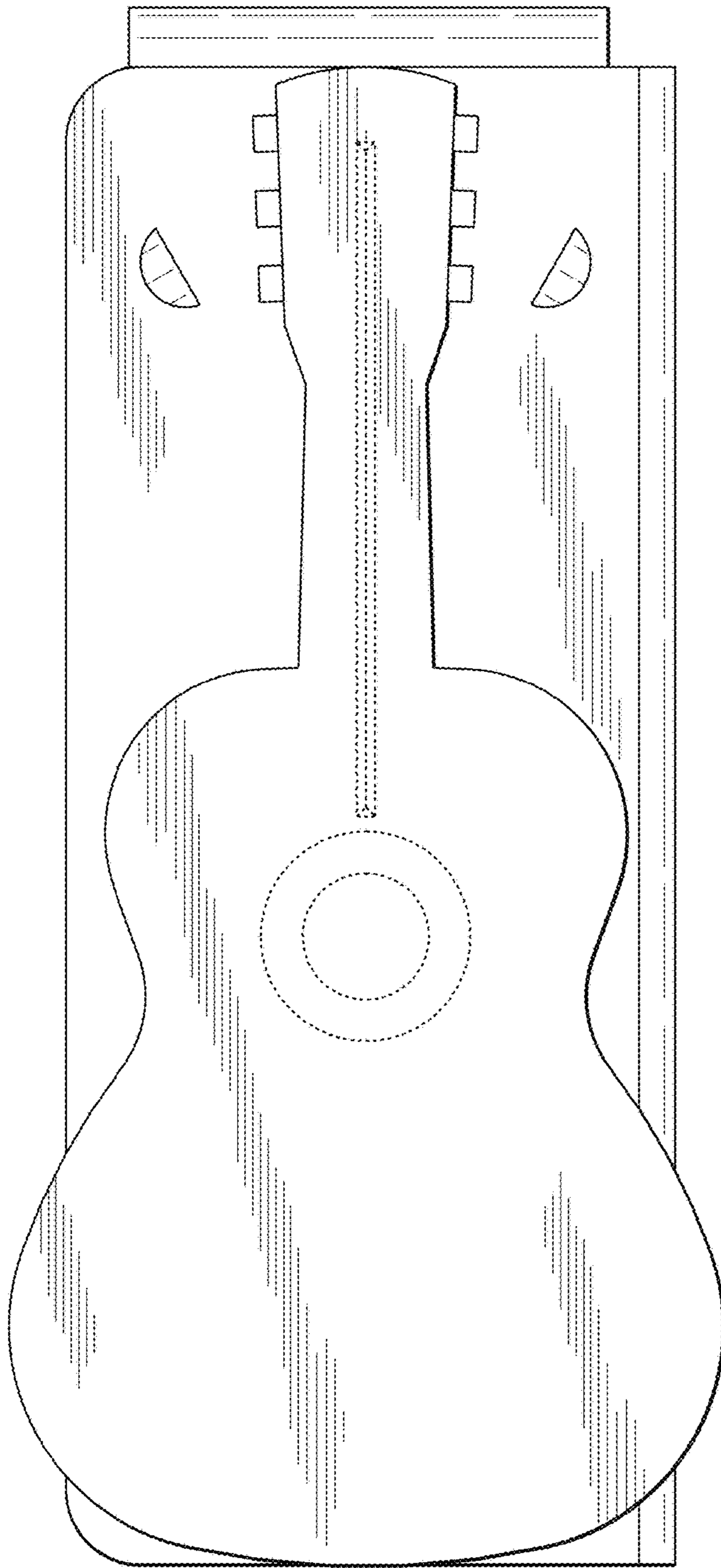


FIG. 13

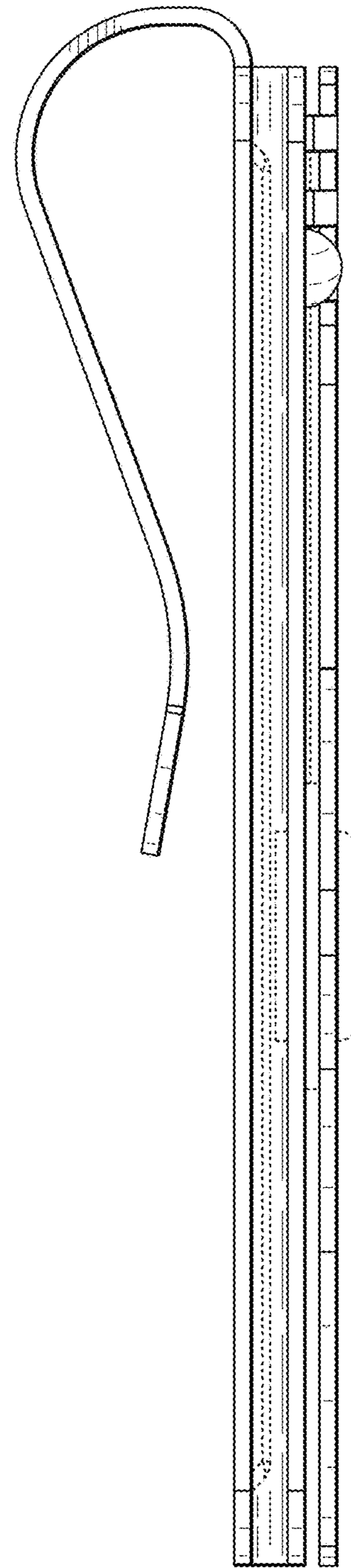


FIG. 14

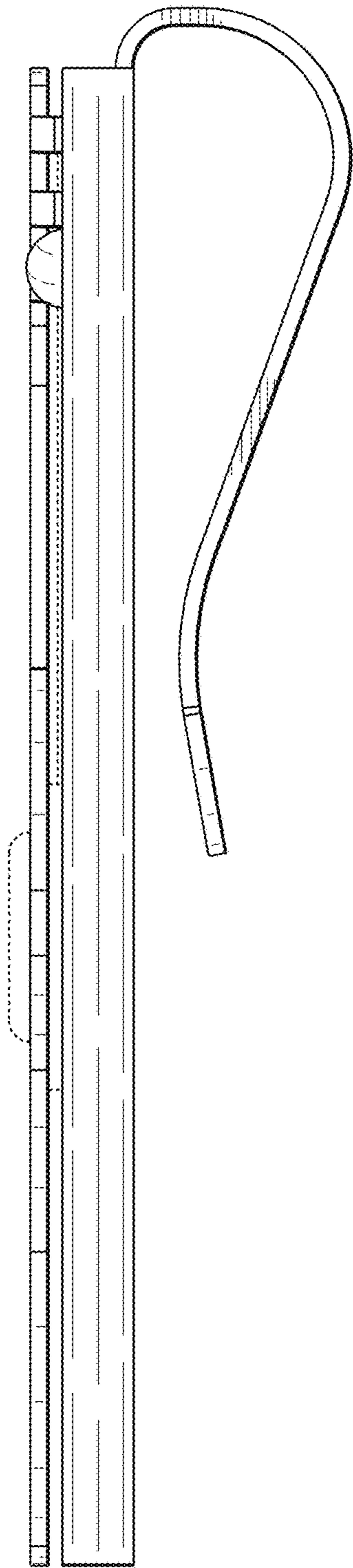


FIG. 15

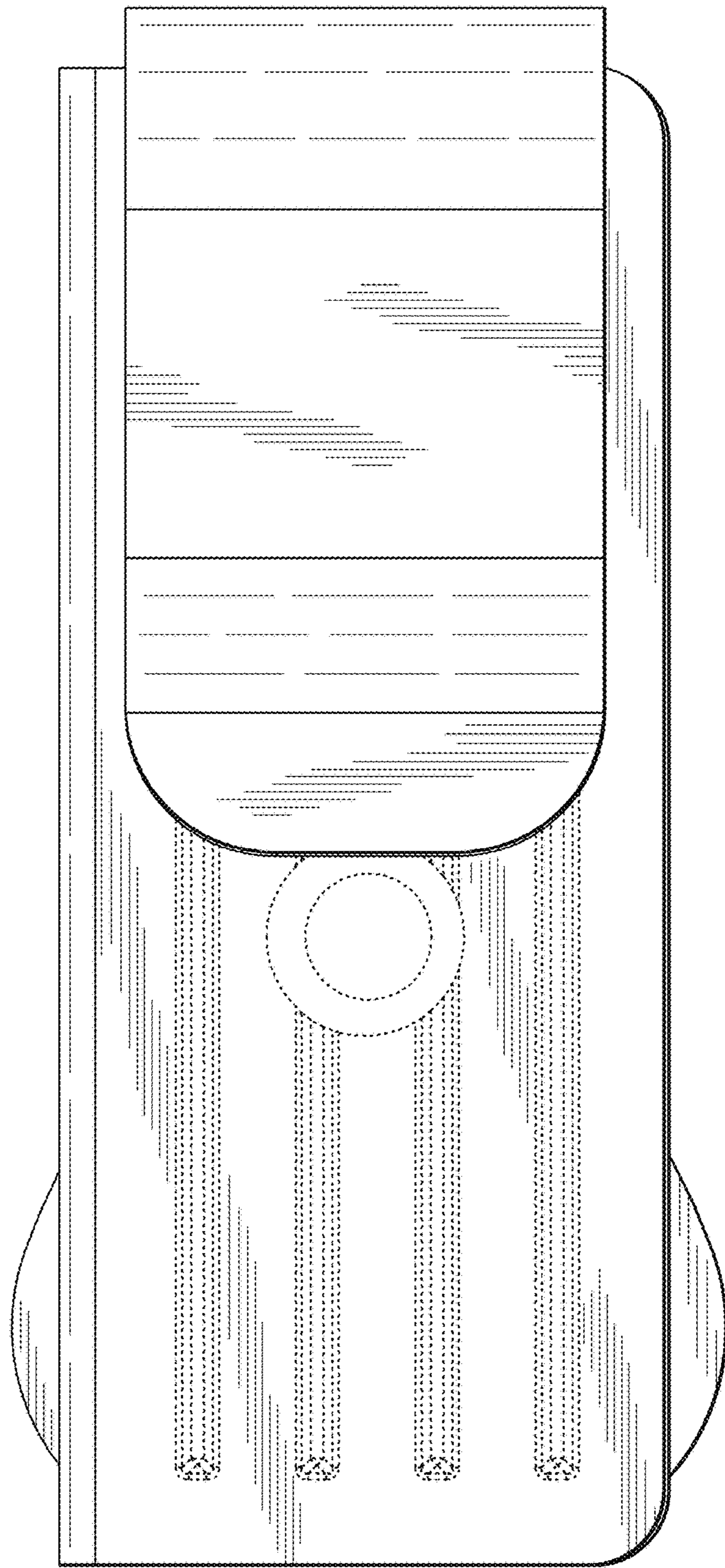


FIG. 16

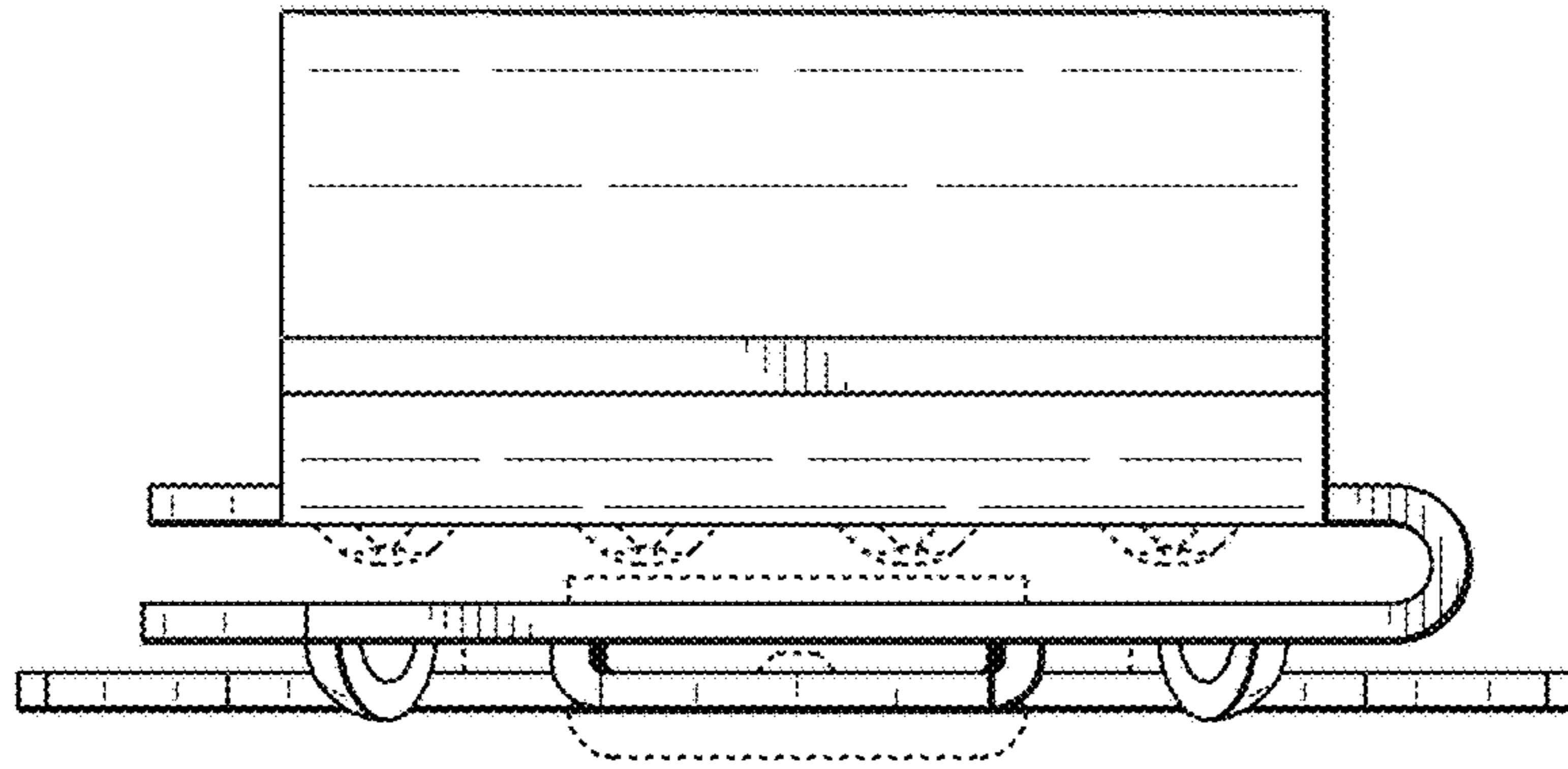


FIG. 17

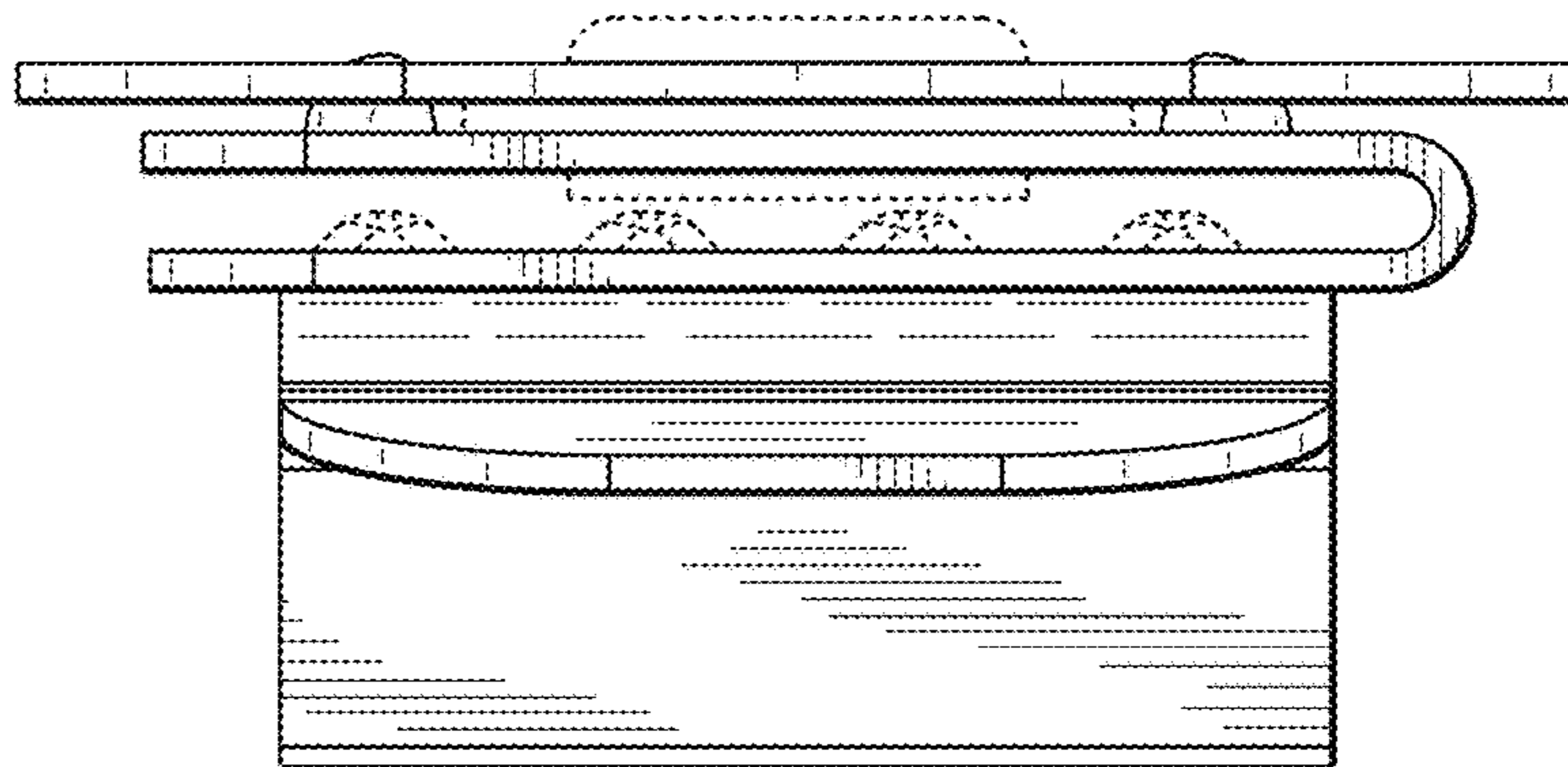


FIG. 18

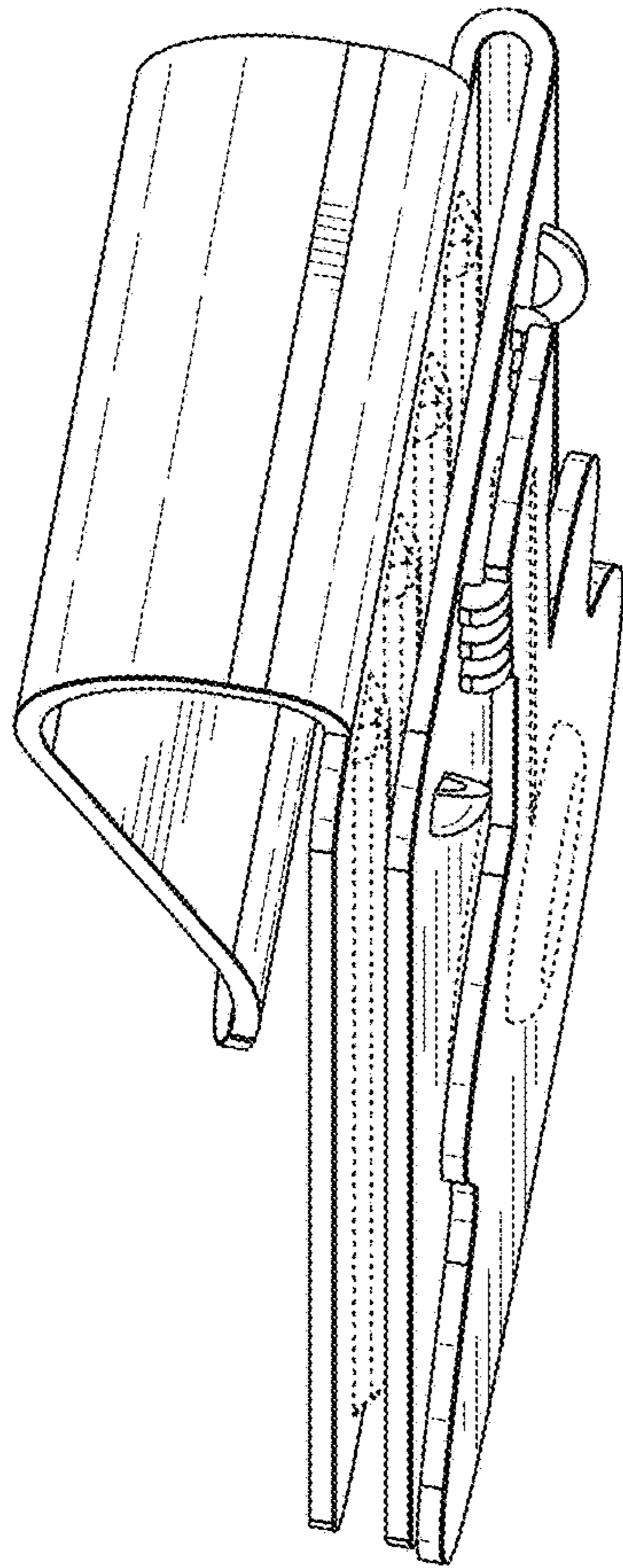


FIG. 19

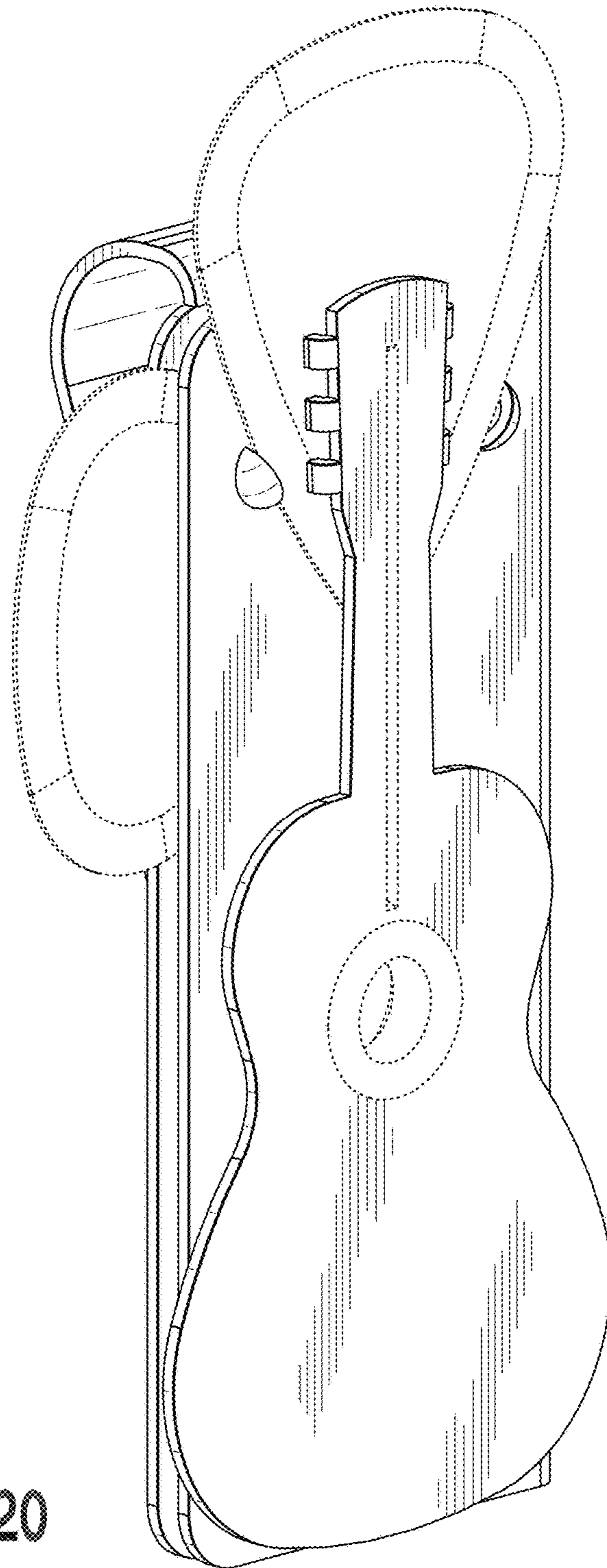


FIG. 20