



US00D782558S

(12) **United States Design Patent**  
**Tabuchi**

(10) **Patent No.:** **US D782,558 S**

(45) **Date of Patent:** **\*\* Mar. 28, 2017**

(54) **DOCUMENT CAMERA**

(71) Applicant: **Elmo Co., Ltd.**, Nagoya-shi, Aichi (JP)

(72) Inventor: **Junichiro Tabuchi**, Nagoya (JP)

(73) Assignee: **Elmo Co., Ltd.**, Nagoya-shi (JP)

(\*\*) Term: **15 Years**

(21) Appl. No.: **29/551,068**

(22) Filed: **Jan. 11, 2016**

(30) **Foreign Application Priority Data**

Aug. 7, 2015 (JP) ..... D2015-017609

(51) **LOC (10) Cl.** ..... **16-01**

(52) **U.S. Cl.**  
USPC ..... **D16/214; D16/232**

(58) **Field of Classification Search**  
USPC ..... D16/200, 208, 214, 215, 232; D14/423,  
D14/253; D26/63, 64, 65  
CPC .... G03B 15/03; H04N 1/195; H04N 1/00204;  
F16M 11/06  
See application file for complete search history.

(56) **References Cited**

**U.S. PATENT DOCUMENTS**

5,978,028 A \* 11/1999 Yamane ..... H04N 1/195  
248/558  
7,343,091 B2 \* 3/2008 Sukenari ..... G03B 15/03  
348/E5.029  
7,394,978 B2 \* 7/2008 Sukenari ..... F16M 11/06  
248/187.1  
D603,889 S \* 11/2009 Sukenari ..... D14/423

D607,482 S \* 1/2010 Inoue ..... D14/423  
D633,126 S \* 2/2011 Park ..... D14/423  
D642,608 S \* 8/2011 Kato ..... D14/423

(Continued)

**OTHER PUBLICATIONS**

Office Action dated May 13, 2016 issued in corresponding CN patent application No. 201630012386.8 (and English translation).

*Primary Examiner* — Rosemary K Tarcza

*Assistant Examiner* — Yolanda Robinson

(74) *Attorney, Agent, or Firm* — Posz Law Group, PLC

(57) **CLAIM**

The ornamental design for a document camera, as shown and described.

**DESCRIPTION**

FIG. 1 is a front, top, and left side perspective view of a document camera.

FIG. 2 is a front view of the document camera.

FIG. 3 is a rear view of the document camera.

FIG. 4 is a right side view of the document camera.

FIG. 5 is a left side view of the document camera.

FIG. 6 is a top view of the document camera.

FIG. 7 is a bottom view of the document camera.

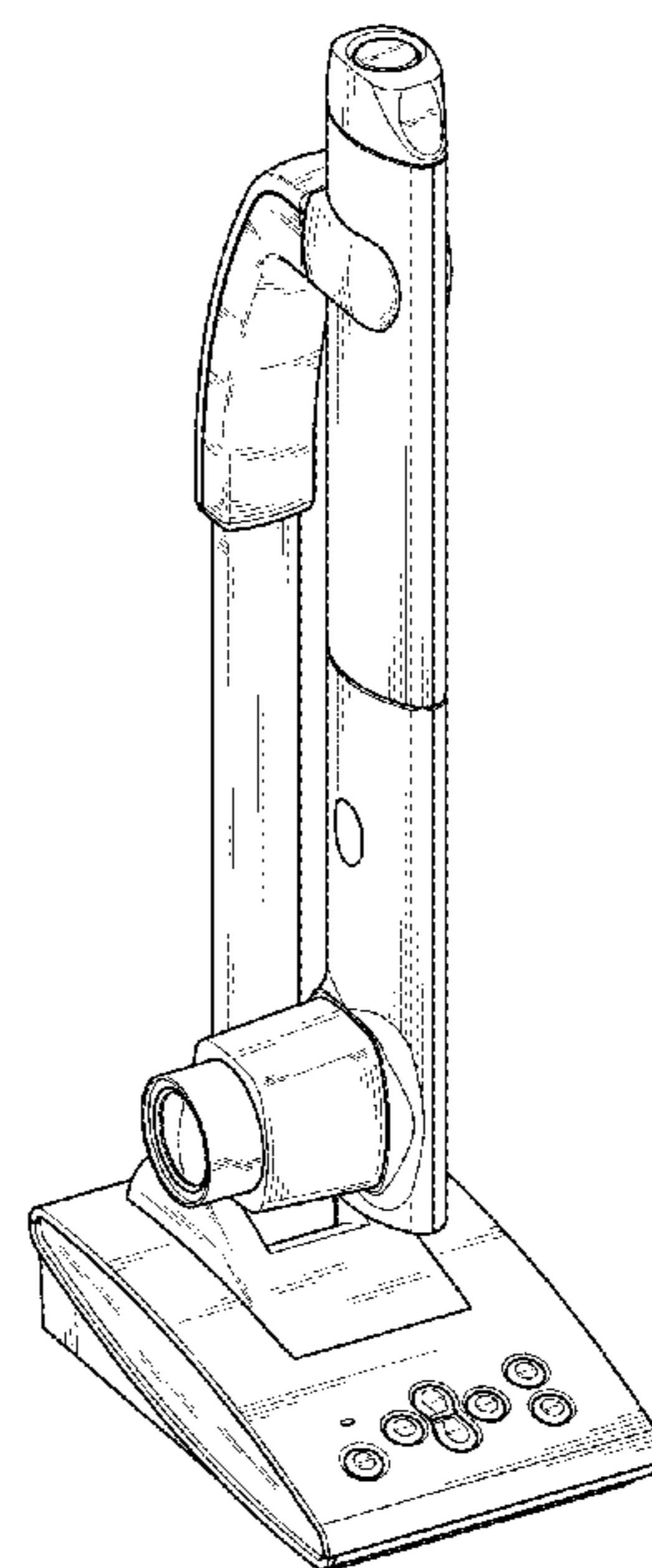
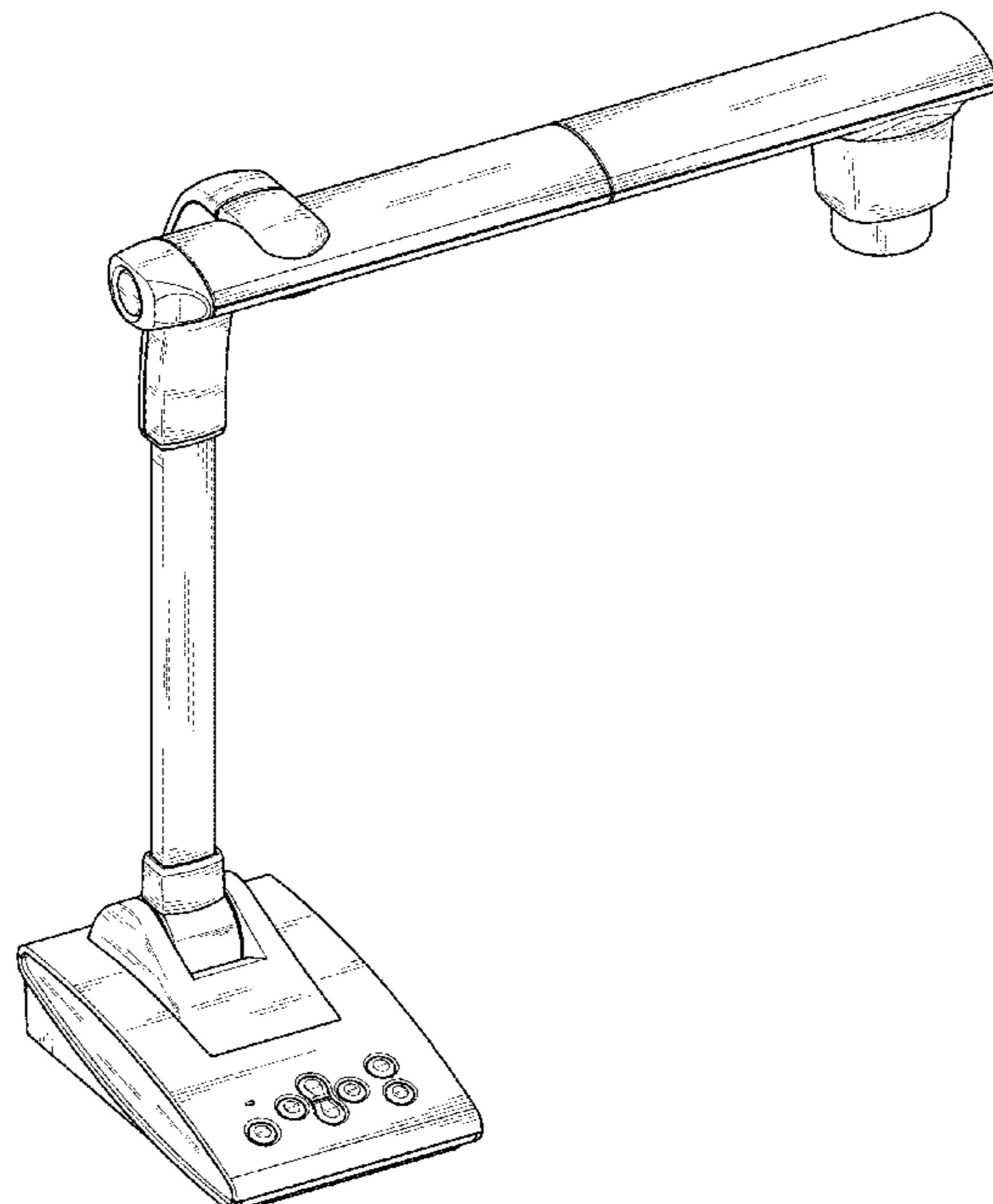
FIG. 8 is a perspective view of the document camera, showing the design in an alternate position.

FIG. 9 is another perspective view of the document camera, showing it in a second alternate position; and,

FIG. 10 is another perspective view of the document camera, showing it in a third alternate position.

The broken lines shown in the figures are included for the purpose of illustrating unclaimed portions of the document camera, and form no part of the claimed design.

**1 Claim, 10 Drawing Sheets**



(56)

## References Cited

## U.S. PATENT DOCUMENTS

D654,526	S *	2/2012	Shivkumar	.....	D16/200
D662,121	S *	6/2012	Rodriguez	.....	D14/423
D663,761	S *	7/2012	Kato	.....	D14/423
D667,042	S *	9/2012	Shen	.....	D14/423
D677,707	S *	3/2013	Shen	.....	D16/232
D680,148	S *	4/2013	Unno	.....	D14/423
D699,242	S *	2/2014	Hu	.....	D14/423
D709,502	S *	7/2014	Shen	.....	D14/423
D715,300	S *	10/2014	Shen	.....	D14/423
D717,855	S *	11/2014	Hong	.....	D14/423
D753,329	S *	4/2016	Lee	.....	D26/65
D756,439	S *	5/2016	Conard	.....	D16/208
D758,631	S *	6/2016	Cai	.....	D26/63
D759,282	S *	6/2016	Lee	.....	D26/65
D764,090	S *	8/2016	Wahl	.....	D26/65
D767,555	S *	9/2016	Lee	.....	D14/253
D768,908	S *	10/2016	Fisher	.....	D26/107
2006/0110151	A1 *	5/2006	Sukenari	.....	F16M 11/06 396/155
2006/0110152	A1 *	5/2006	Sukenari	.....	G03B 15/03 396/155
2014/0160535	A1 *	6/2014	Shen	.....	H04N 1/00204 358/451

\* cited by examiner

FIG. 1

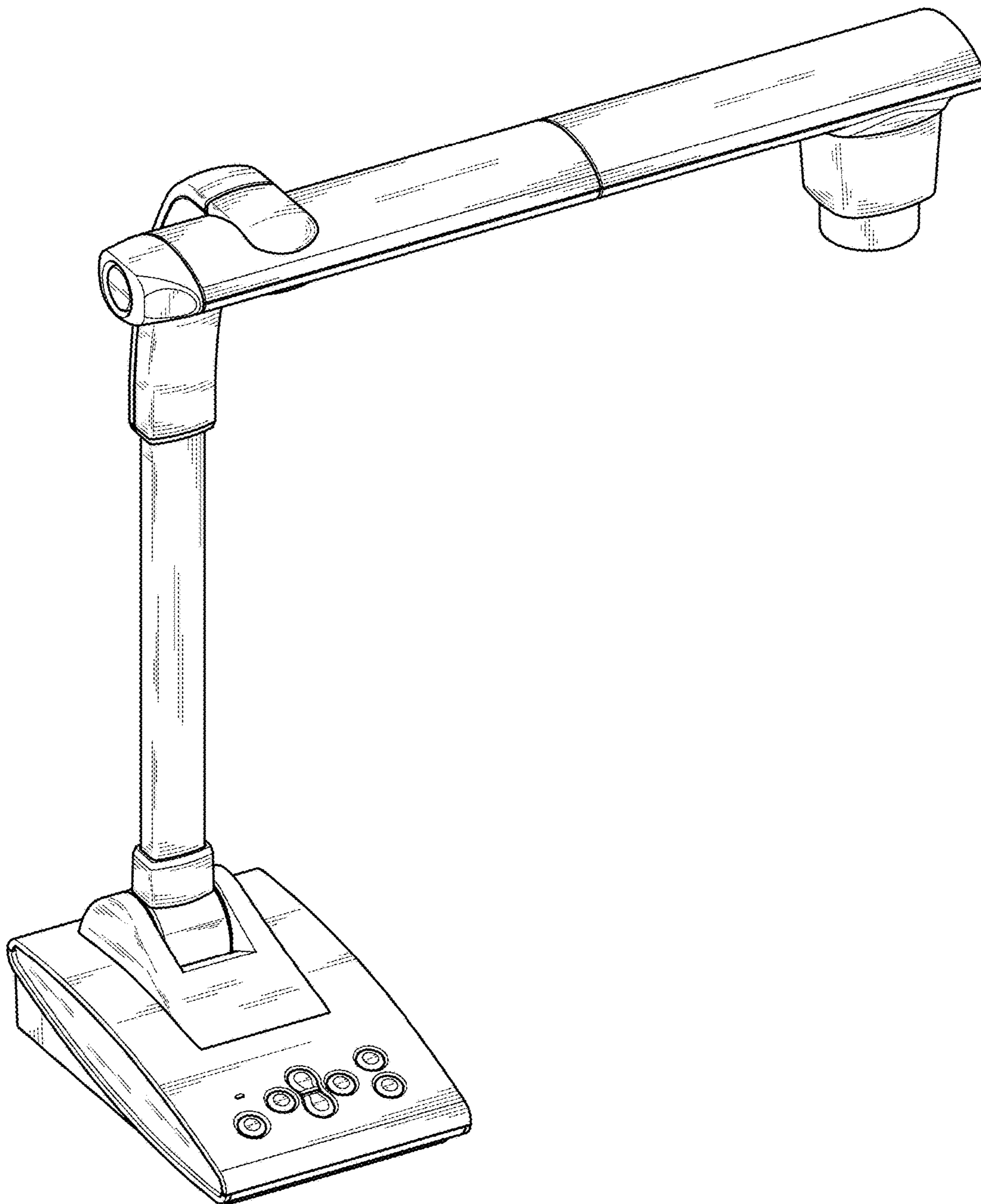


FIG. 2

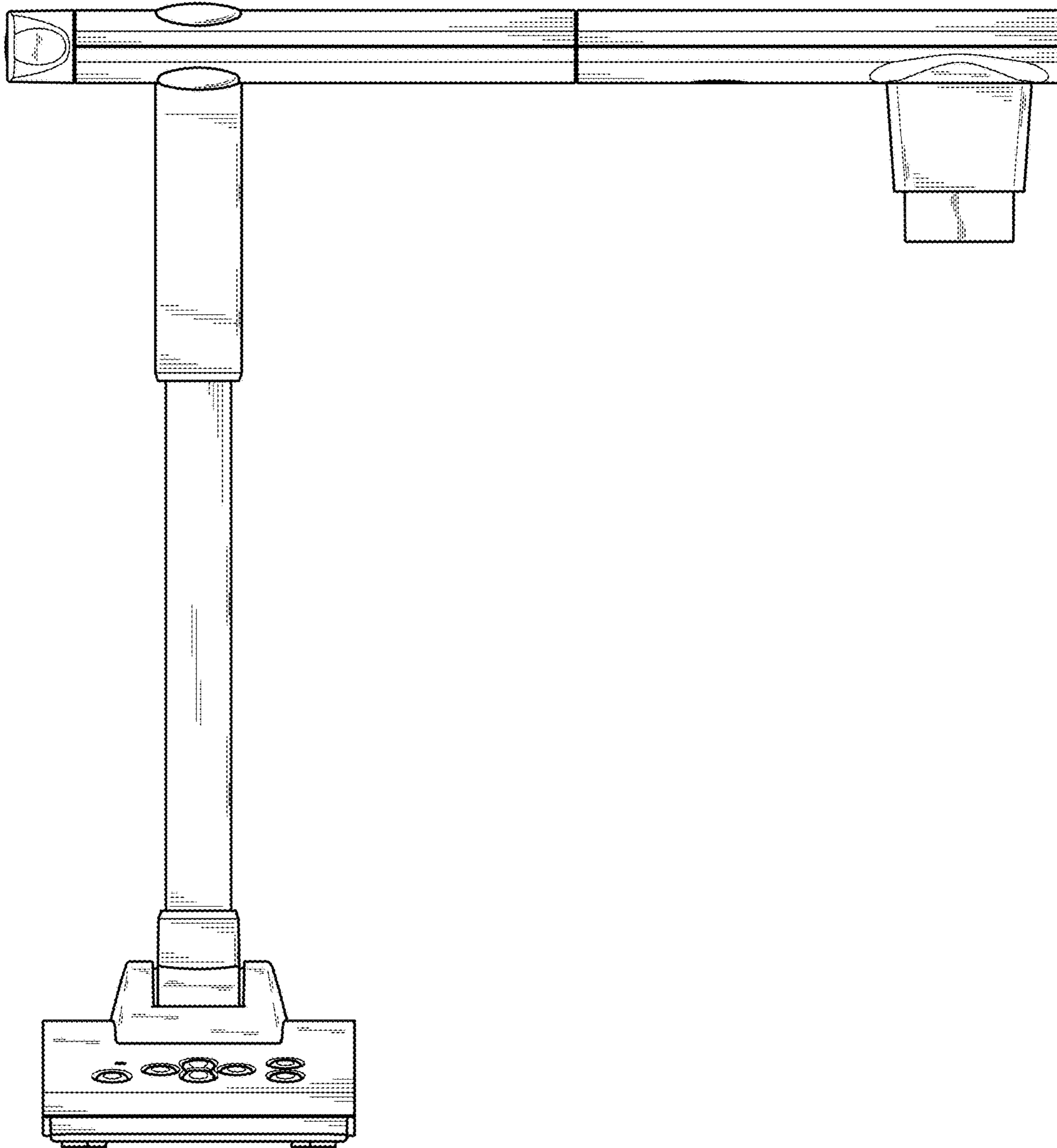


FIG. 3

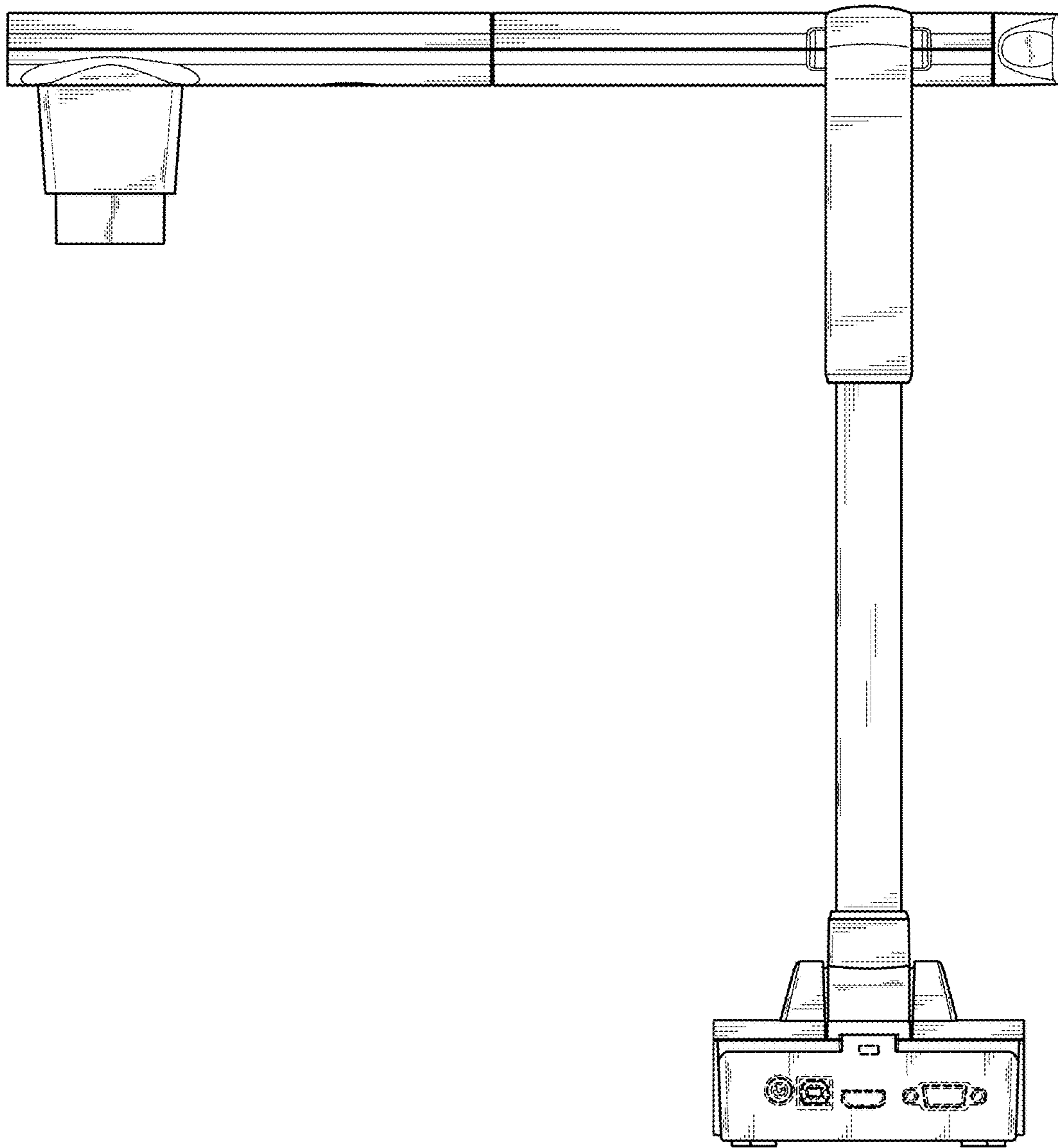




FIG. 4

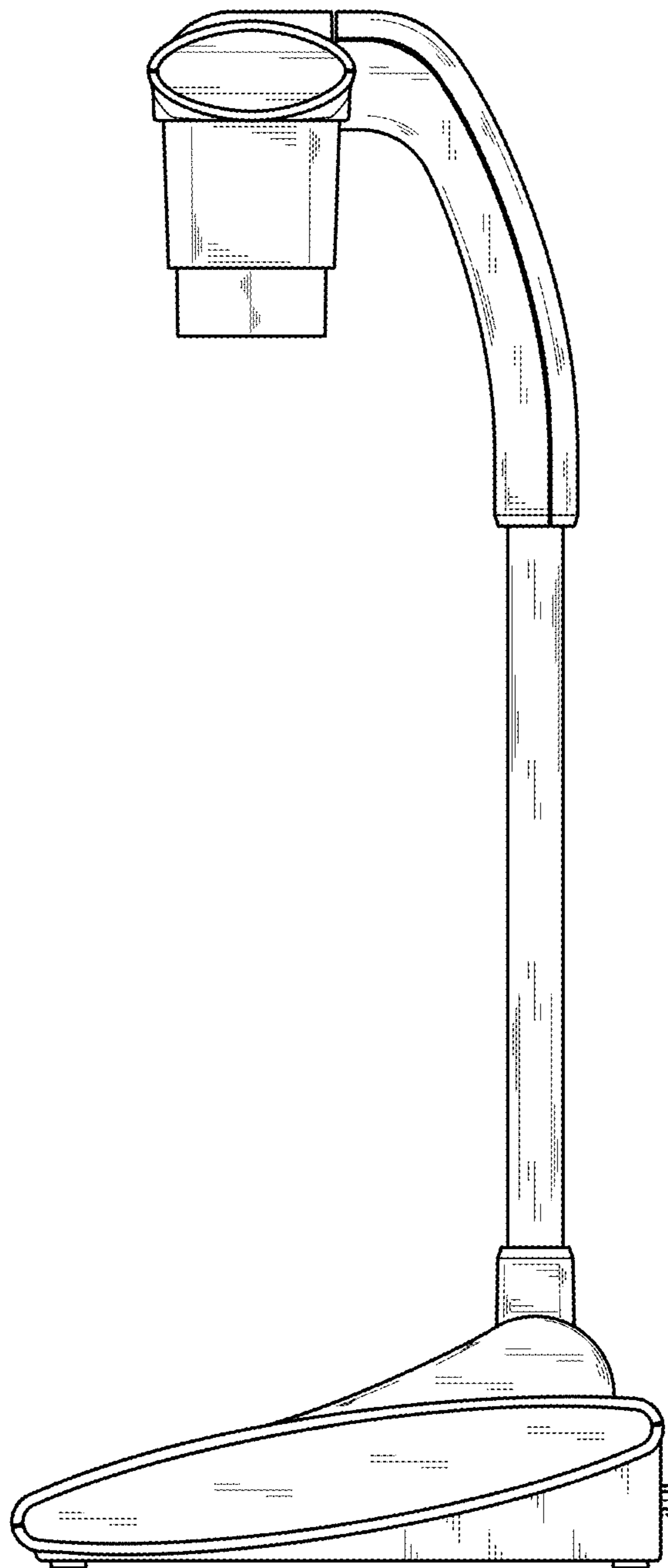


FIG. 5

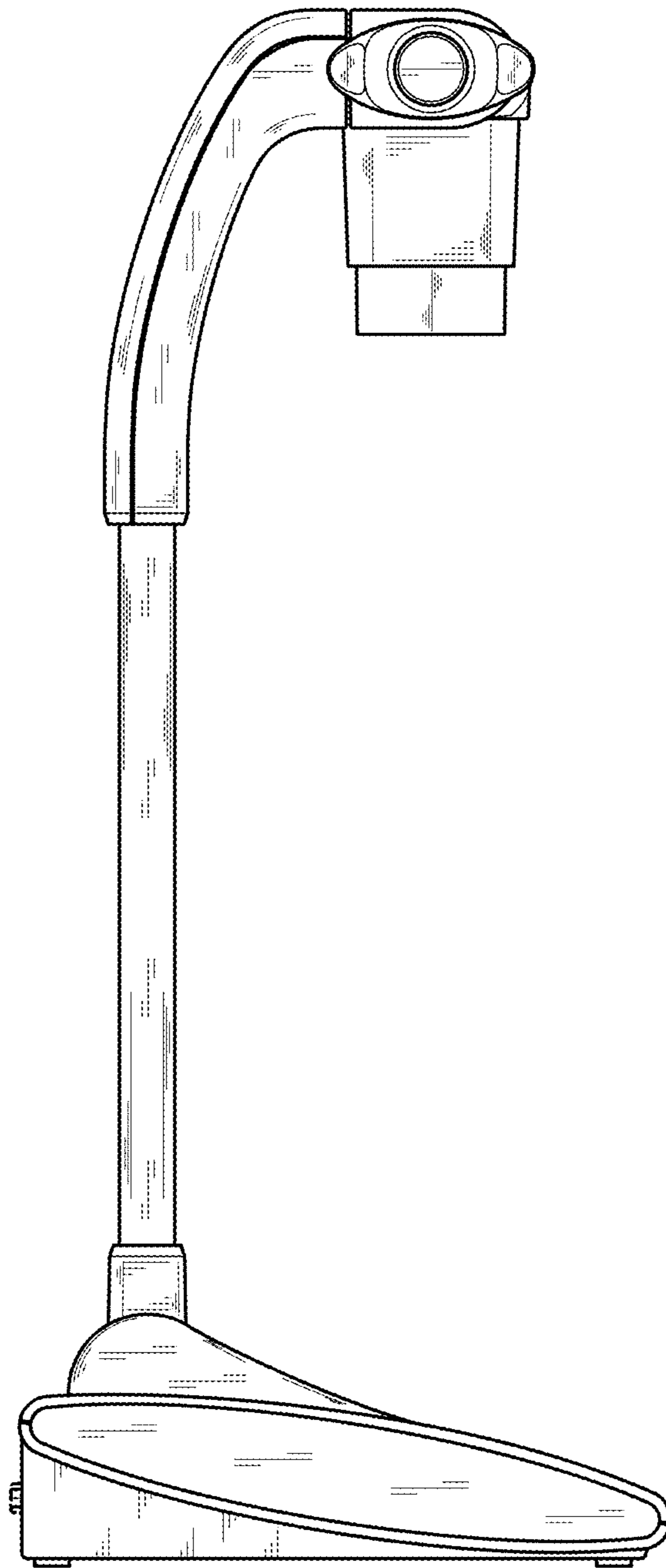


FIG. 6

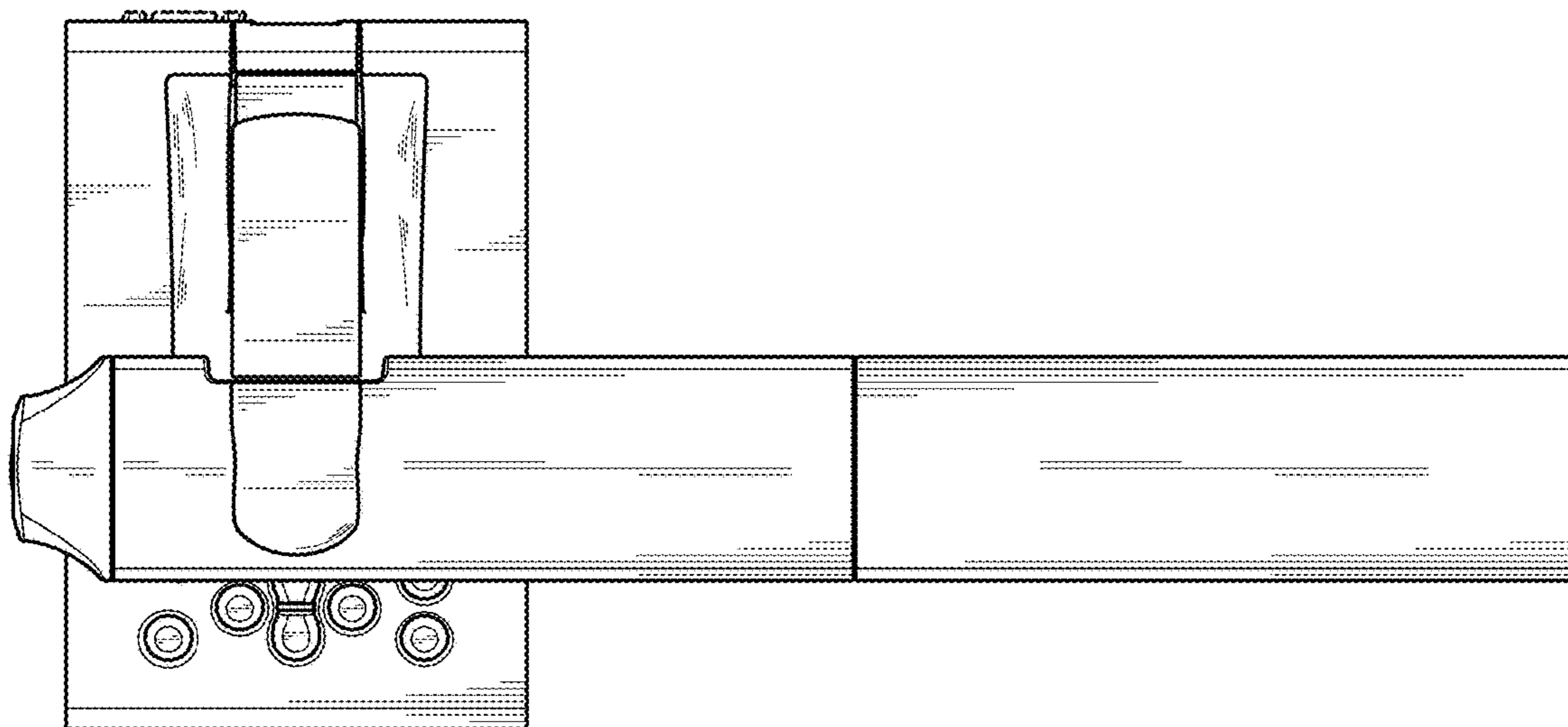




FIG. 7

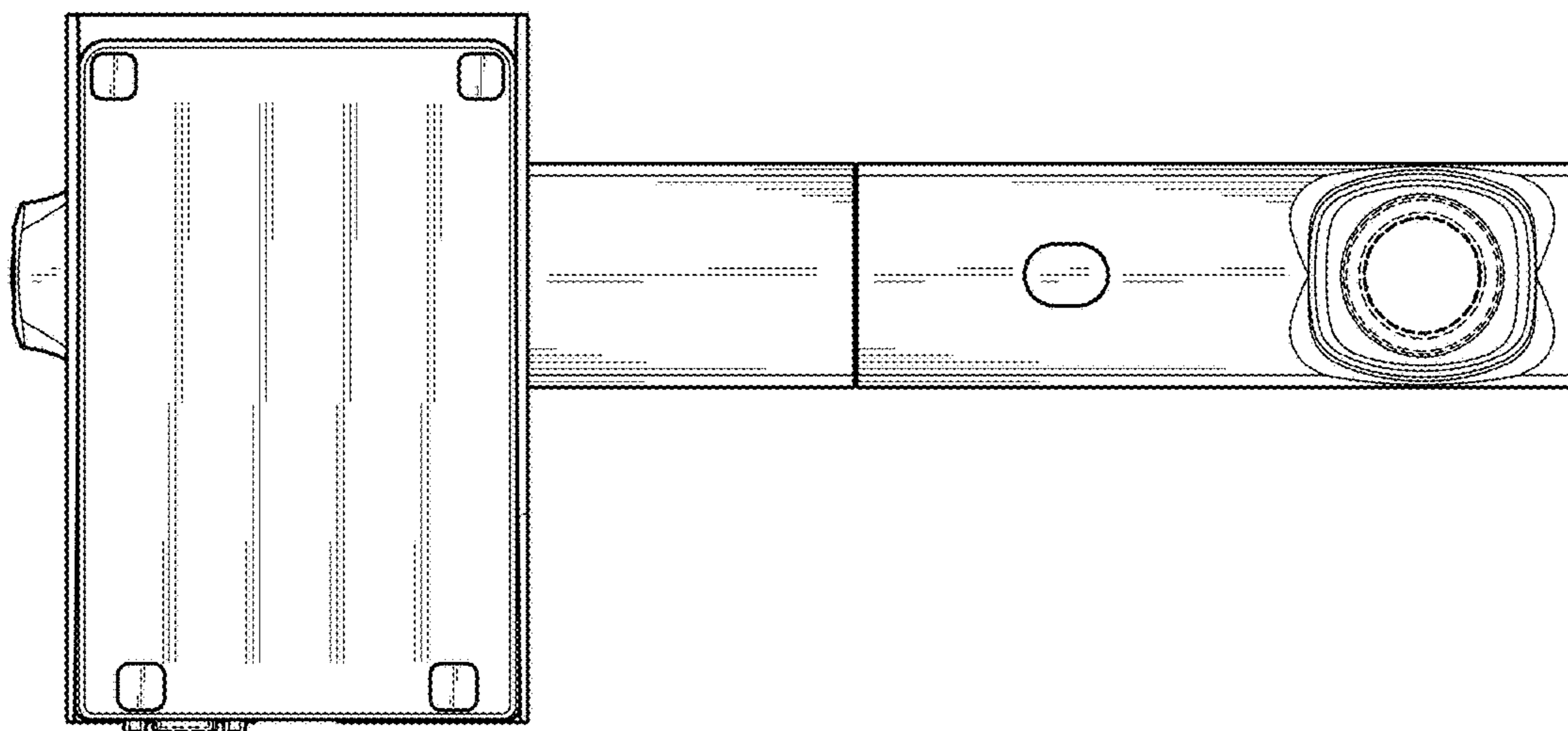


FIG. 8

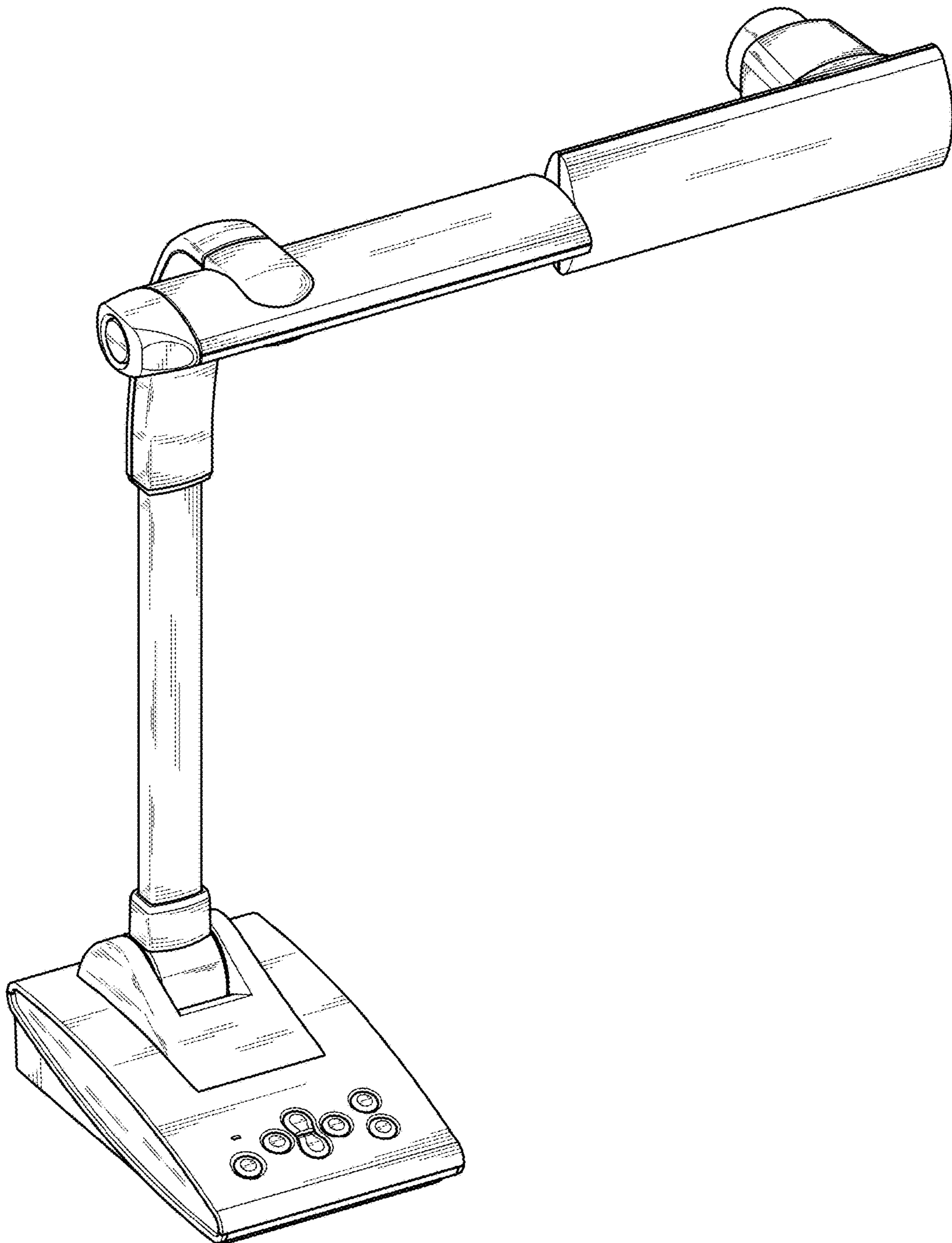


FIG. 9

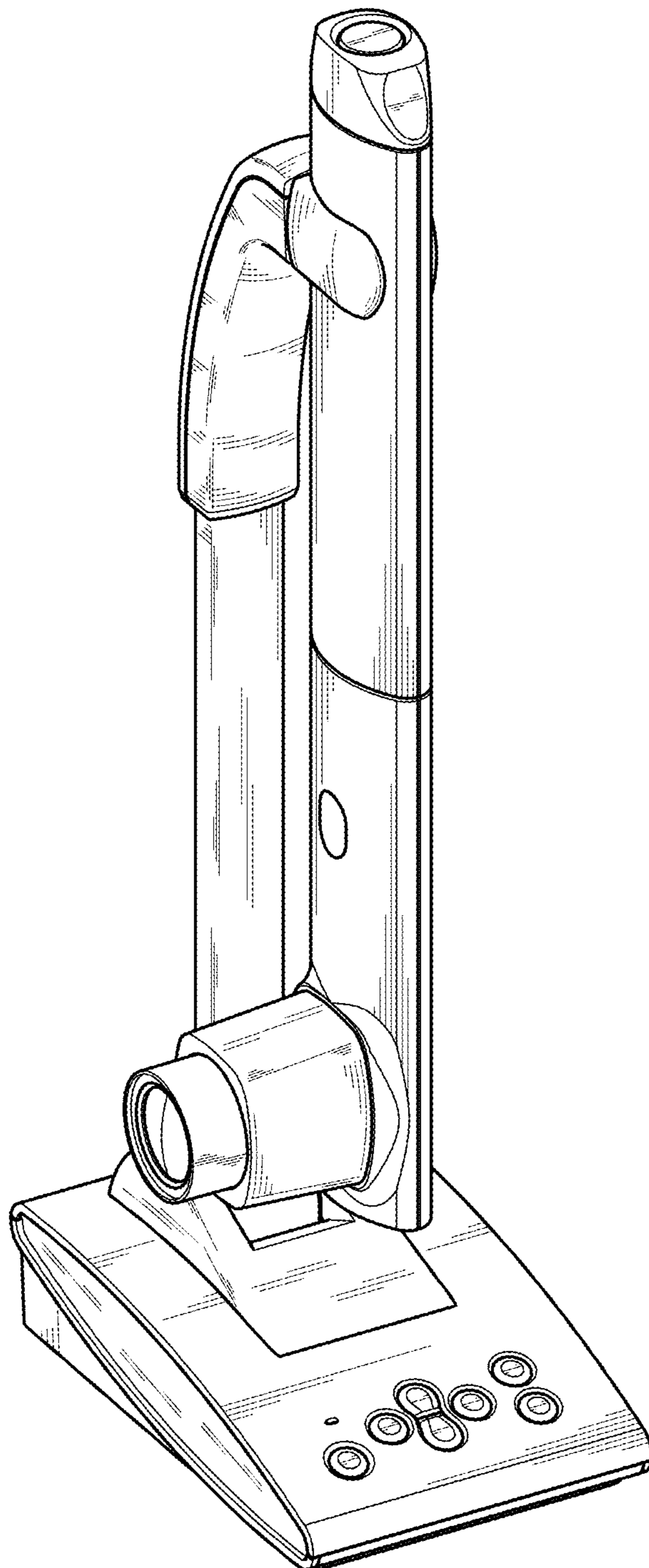


FIG. 10

