



US00D782557S

(12) **United States Design Patent** (10) **Patent No.:** **US D782,557 S**
Ahman et al. (45) **Date of Patent:** **** Mar. 28, 2017**

(54) **MONITORING CAMERA**

FOREIGN PATENT DOCUMENTS

- (71) Applicant: **AXIS AB**, Lund (SE)
- (72) Inventors: **Daniel Ahman**, Lomma (SE); **Henrik Svedberg**, Loddekopinge (SE); **Christian Jacobsson**, Lund (SE); **Mikael Persson**, Malmo (SE); **Kent Fransson**, Malmo (SE); **Samir Helaoui**, Malmo (SE); **Mathias Walter**, Arlov (SE); **Morten Bergstrom**, Bjarred (SE)
- (73) Assignee: **AXIS AB**, Lund (SE)
- (**) Term: **15 Years**
- (21) Appl. No.: **29/545,550**
- (22) Filed: **Nov. 13, 2015**

EM	001113641-0002	7/2009
TW	D157409	11/2013

OTHER PUBLICATIONS

Axis Communications Data Sheet, Axis Q63032-E PTZ Dome Network Camera, Advanced, outdoor-ready PTZ dome for demanding surveillance, Jan. 2013.

Primary Examiner — Susan E Krakower
Assistant Examiner — Ramzi Almatrahi
(74) *Attorney, Agent, or Firm* — Volpe and Koenig, P.C.

(57) **CLAIM**

The ornamental design for a monitoring camera, as shown and described.

Related U.S. Application Data

- (62) Division of application No. 29/500,784, filed on Aug. 28, 2014.

DESCRIPTION

(30) **Foreign Application Priority Data**

Feb. 28, 2014	(EM)	00241533-0001
Feb. 28, 2014	(EM)	00241533-0002
Feb. 28, 2014	(EM)	00241533-0003

FIG. 1 is a perspective view of a first embodiment of a monitoring camera showing our new design; FIG. 2 is a front elevational view thereof; FIG. 3 is a left side elevational view thereof; FIG. 4 is a right side elevational view thereof; FIG. 5 is a rear elevational view thereof; FIG. 6 is a bottom plan view thereof; and FIG. 7 is a top plan view thereof; FIG. 8 is a perspective view of a second embodiment of a monitoring camera showing our new design; FIG. 9 is a front elevational view thereof; FIG. 10 is a left side elevational view thereof; FIG. 11 is a right side elevational view thereof; FIG. 12 is a rear elevational view thereof; FIG. 13 is a bottom plan view thereof; and, FIG. 14 is a top plan view thereof.

- (51) **LOC (10) Cl.** **16-01**
- (52) **U.S. Cl.**
USPC **D16/203**
- (58) **Field of Classification Search**
USPC D16/200, 202–206, 208, 218, 219, 242;
348/143, 148, 151, 373–376; 396/419,
396/427, 535, 539–541

The broken lines depict portions of a monitoring camera in which the design is embodied and form no part of the claimed design.

The parts shown with broken lines are not considered to be a part of the claimed design.

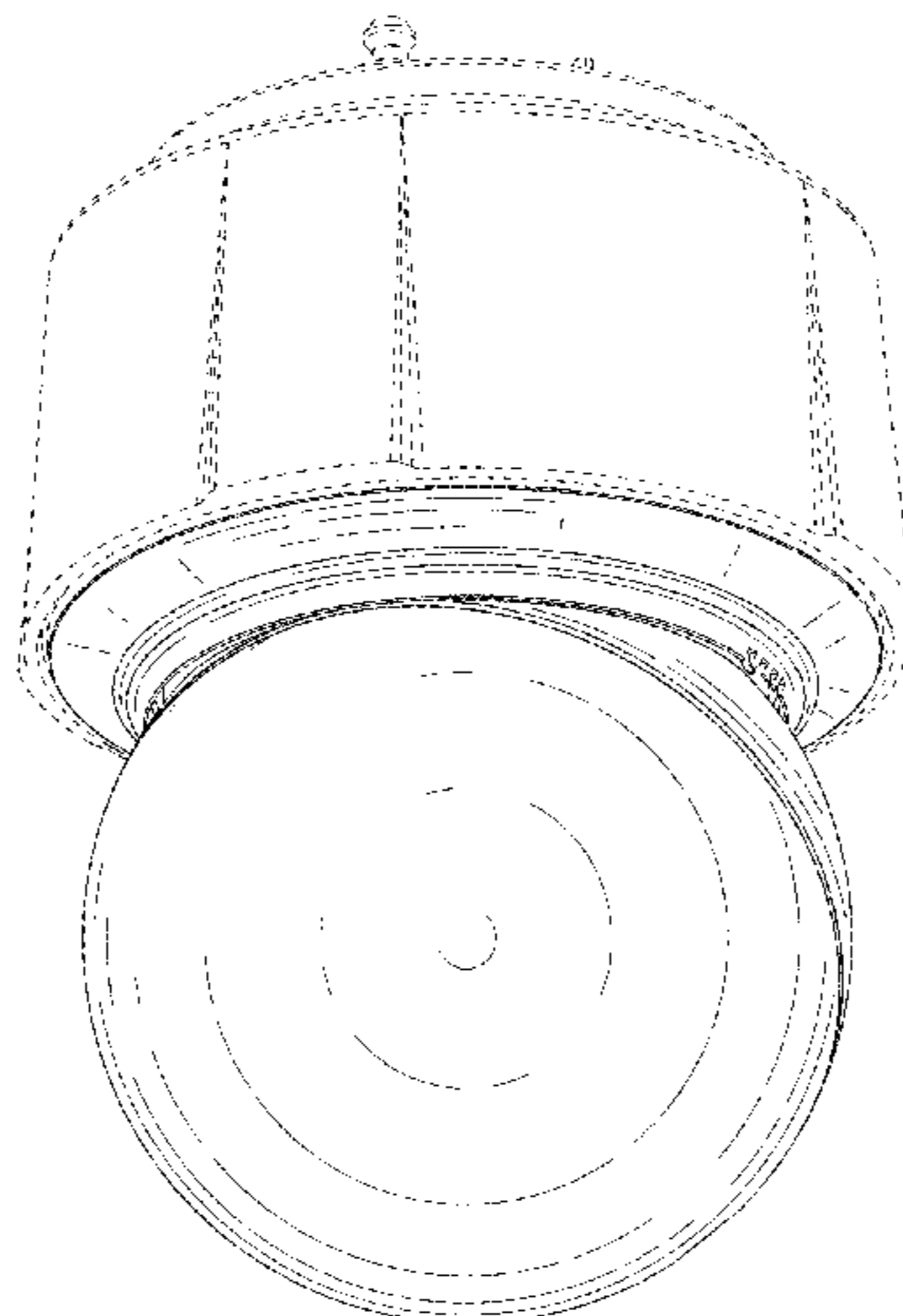
(Continued)

(56) **References Cited**

U.S. PATENT DOCUMENTS

- | | | | | |
|---------------|---------|--------------|-------|---------------|
| 3,916,097 A * | 10/1975 | Imai | | G08B 13/19619 |
| | | | | 348/151 |
| 5,689,304 A | 11/1997 | Jones et al. | | |
- (Continued)

1 Claim, 12 Drawing Sheets



(58) **Field of Classification Search**

CPC G03B 17/02; G03B 19/04; G03B 17/56;
 G03B 17/04; G03B 15/03; H04N 5/2251;
 H04N 5/2252; H04N 5/2253; H04N
 5/2254; H04N 7/181; H04N 7/183; H04N
 7/18; G08B 13/1963; G08B 13/19619;
 G08B 13/19632; F16M 11/04; F16M
 13/00

See application file for complete search history.

(56) **References Cited**

U.S. PATENT DOCUMENTS

D414,504 S 9/1999 Madden
 D424,087 S * 5/2000 Frick 396/427
 6,061,087 A * 5/2000 Schieltz G03B 17/55
 348/151
 6,322,258 B1 11/2001 Ryan et al.
 D457,904 S 5/2002 Toste et al.
 6,735,382 B2 * 5/2004 Schneider G08B 13/19632
 348/143

D552,651 S 10/2007 Arbuckle
 D564,005 S * 3/2008 Cheng D16/203
 D603,441 S 11/2009 Wada et al.
 D633,931 S 3/2011 Ham
 D636,804 S 4/2011 Anneback et al.
 D636,805 S 4/2011 Anneback et al.
 D639,328 S 6/2011 Zeinoun et al.
 D639,843 S 6/2011 Zeinoun et al.
 D655,328 S 3/2012 Anneback et al.
 D662,120 S * 6/2012 Deurwaarder D16/203
 D701,258 S * 3/2014 Huang D16/203
 D702,275 S 4/2014 Ying
 D705,334 S * 5/2014 Fransson D16/203
 D705,844 S 5/2014 Bart et al.
 D708,654 S 7/2014 Tani
 D719,208 S * 12/2014 Mohan D16/203
 D731,579 S 6/2015 Bart et al.
 D734,379 S * 7/2015 Tankersley D16/203
 2002/0140850 A1 * 10/2002 Toste G08B 13/19632
 348/375
 2006/0024046 A1 * 2/2006 Jones G08B 13/19619
 396/427

* cited by examiner

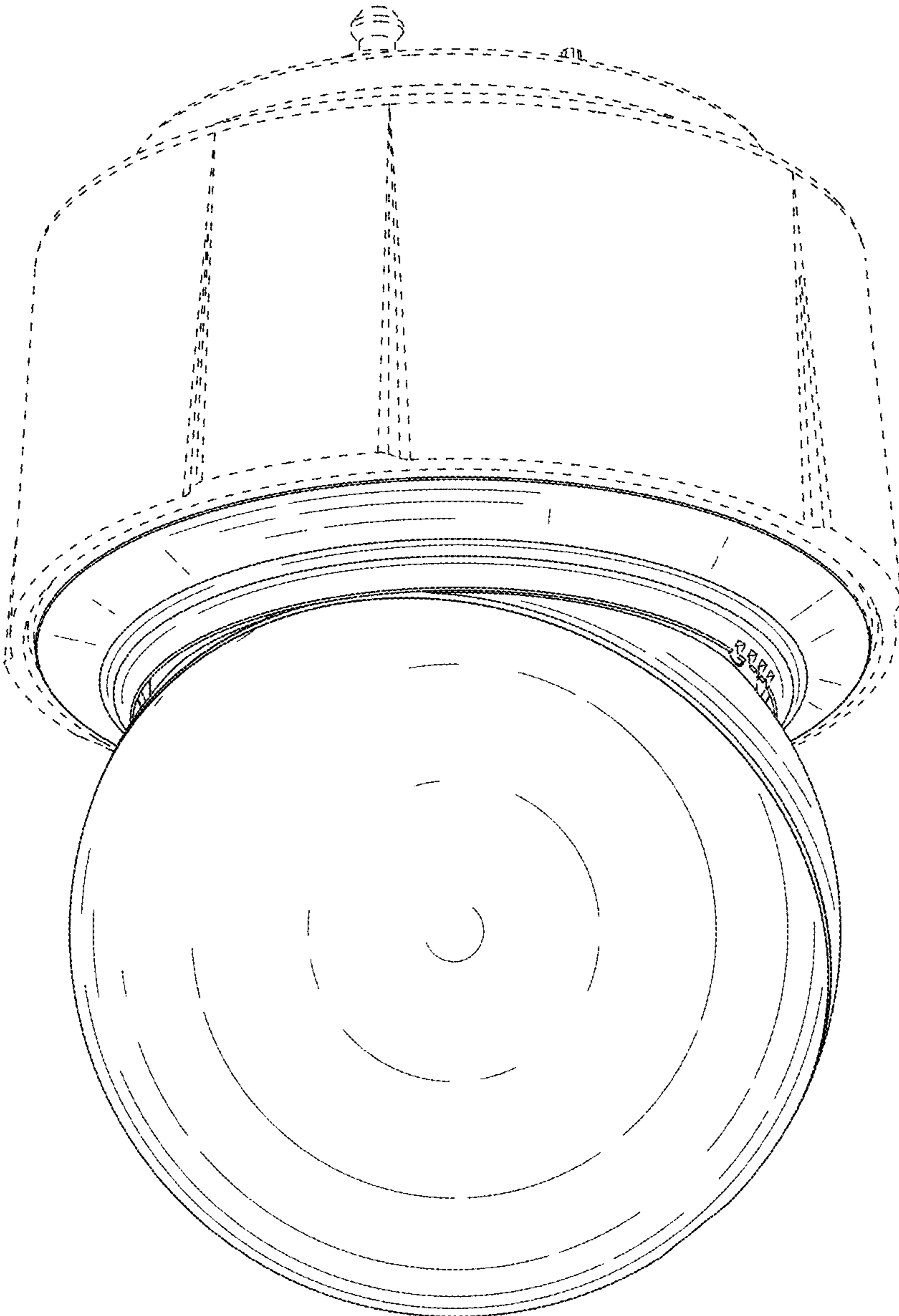


FIG. 1

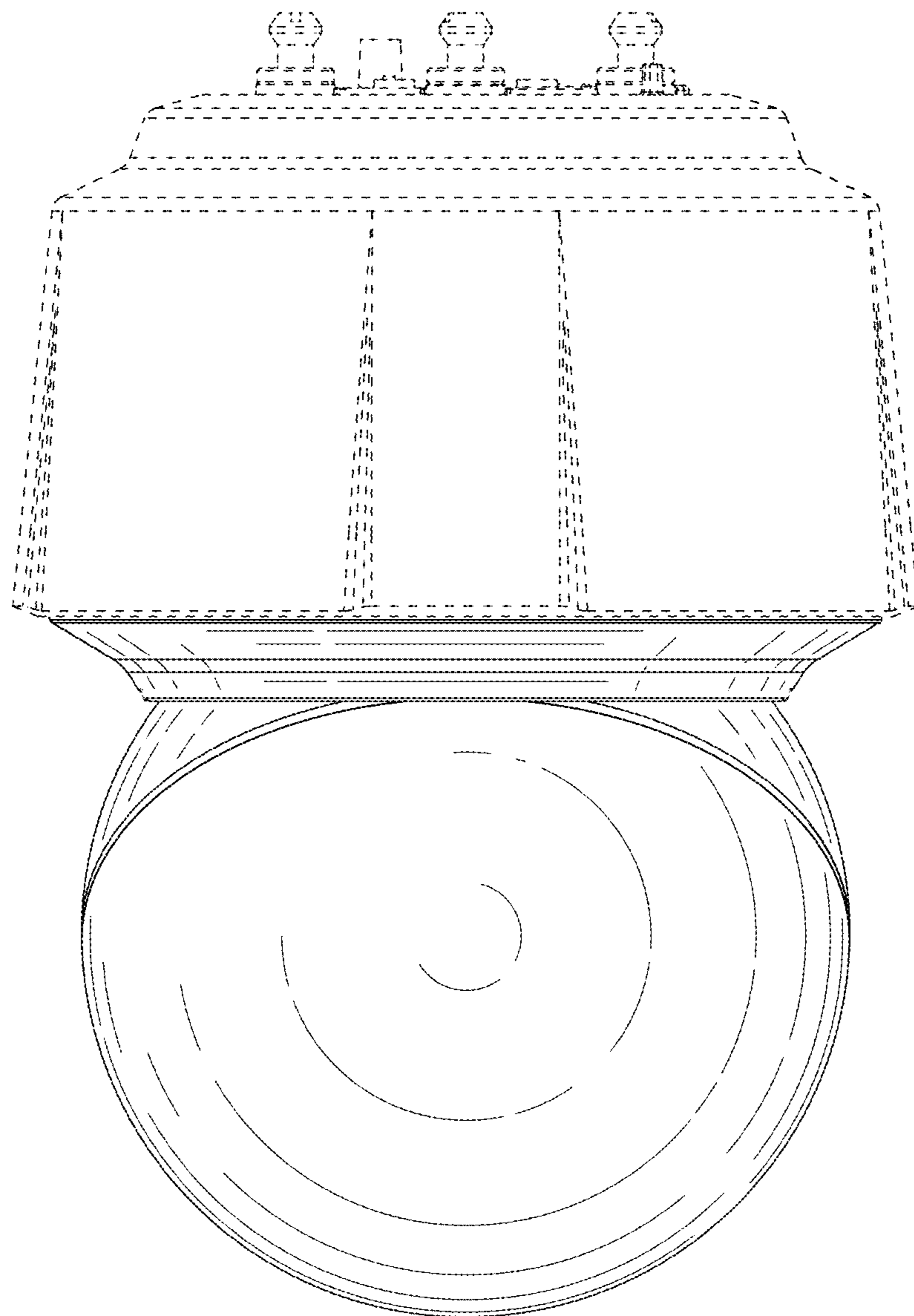


FIG. 2

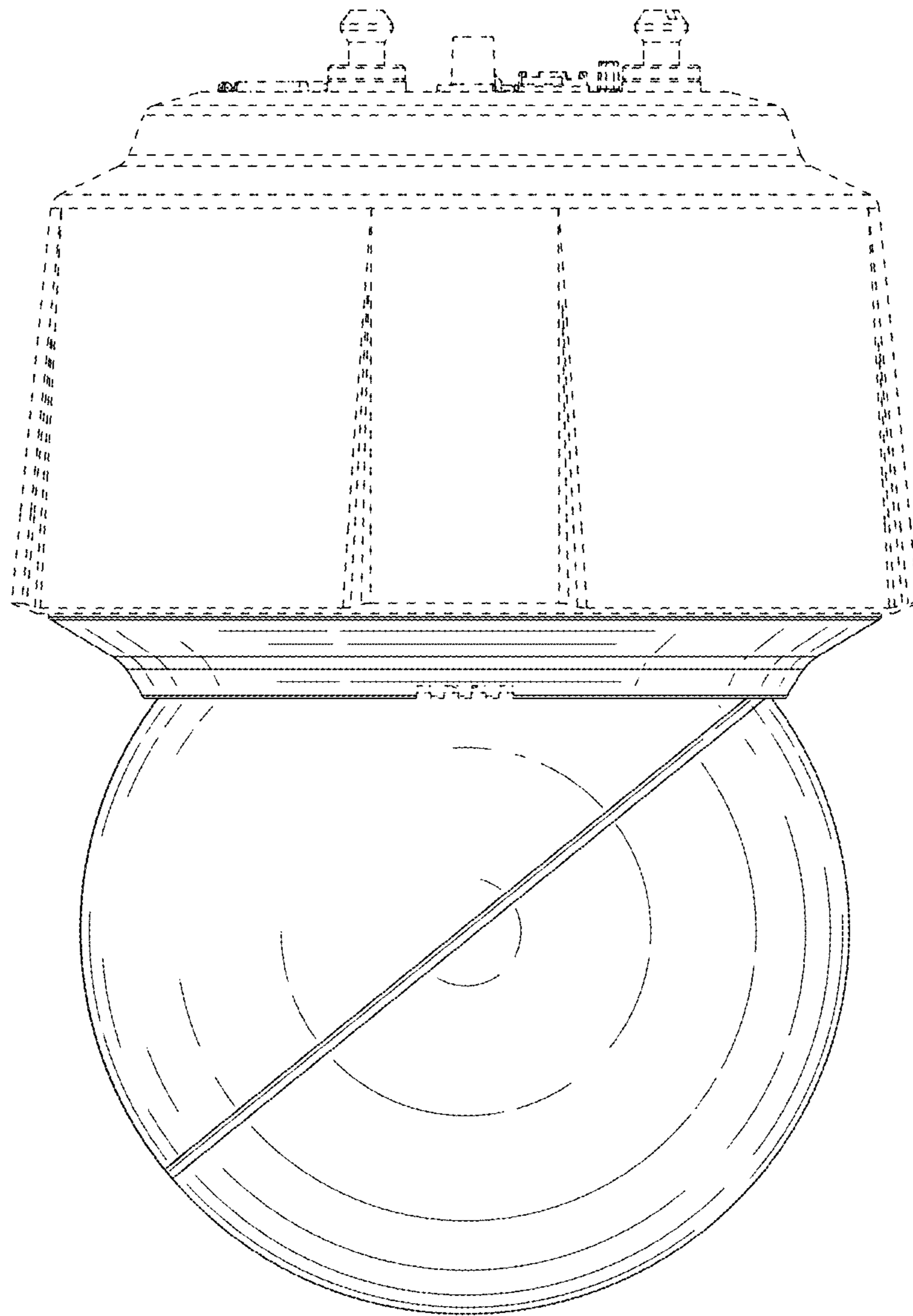


FIG. 3

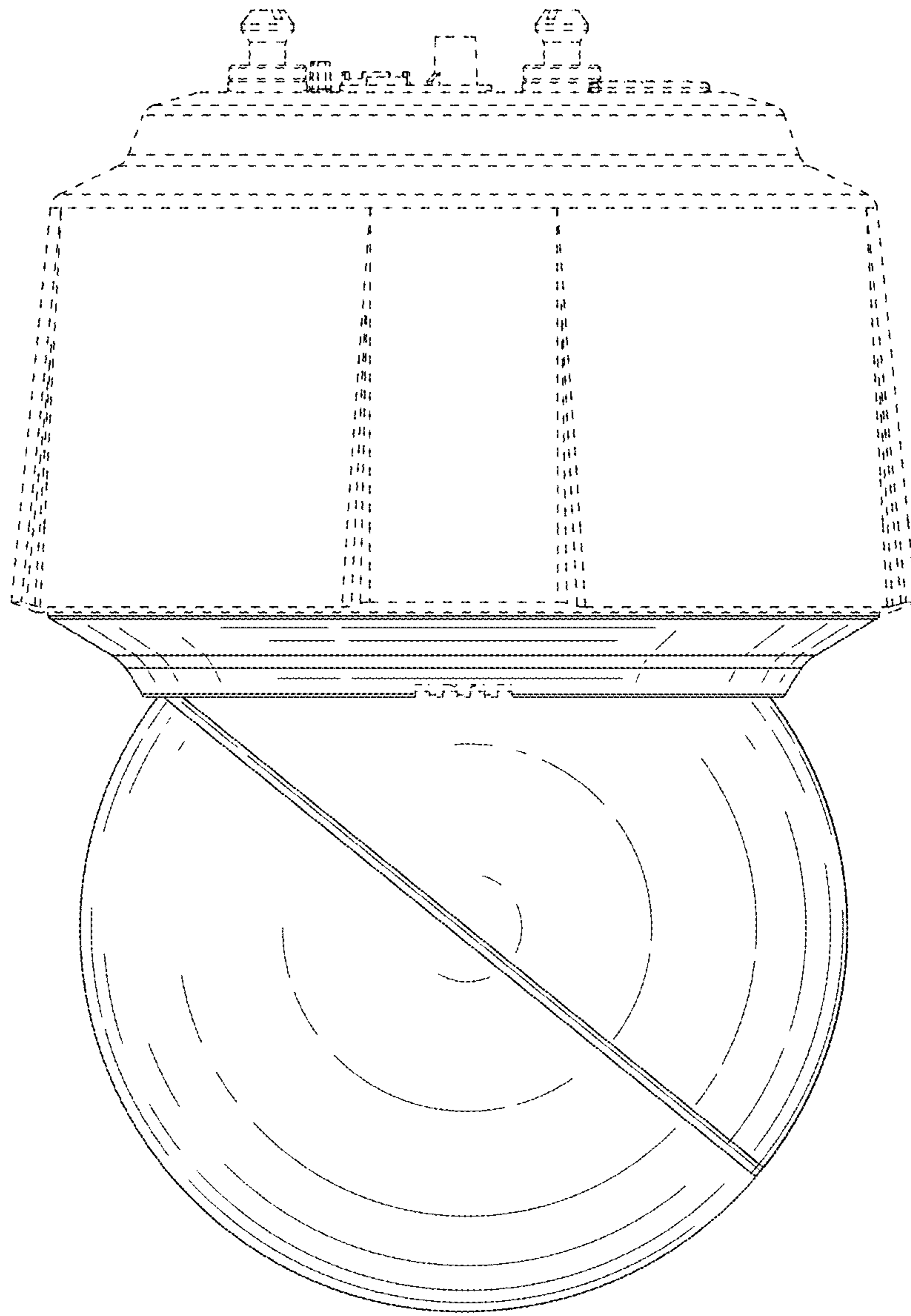


FIG. 4

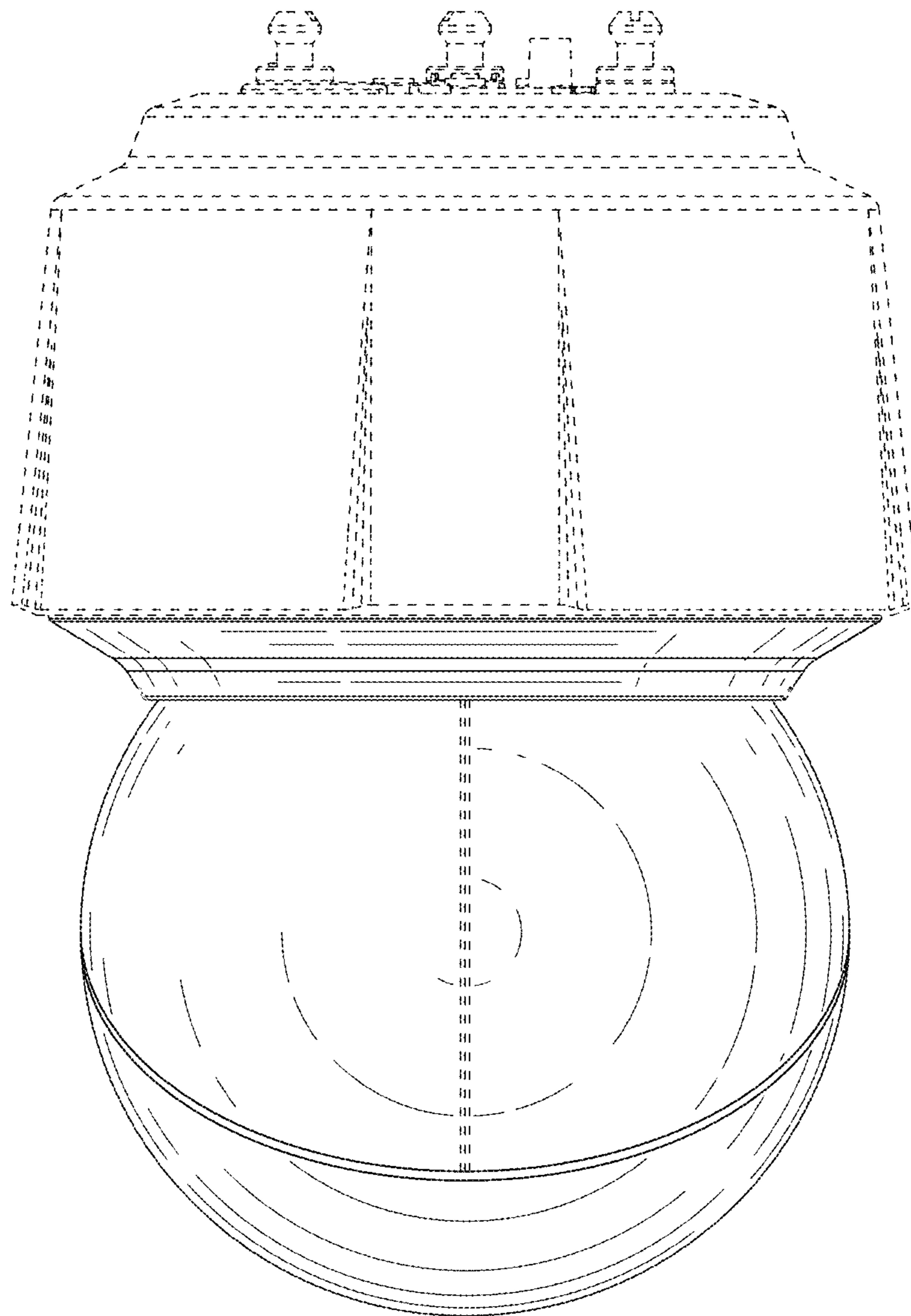


FIG. 5

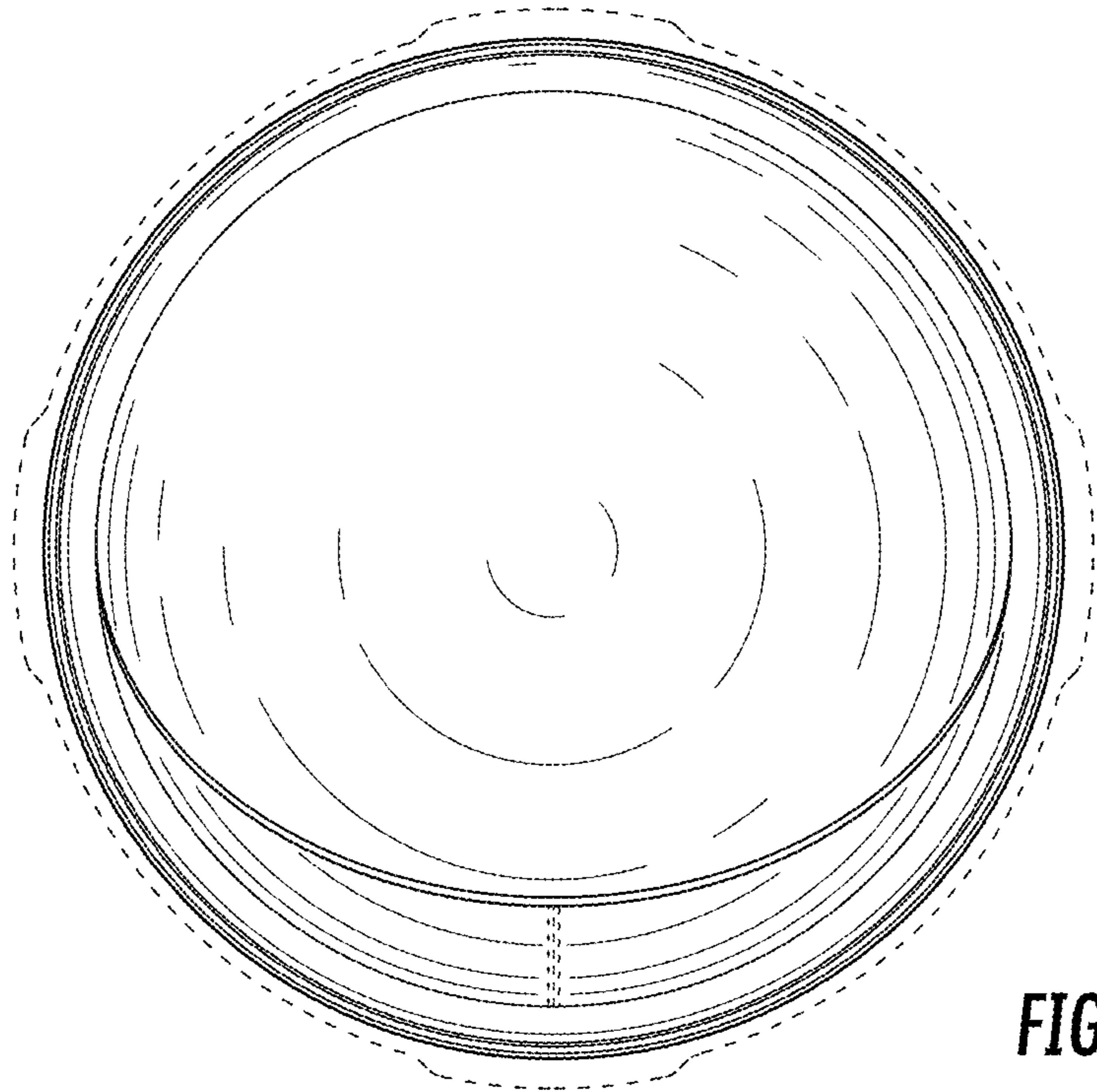


FIG. 6

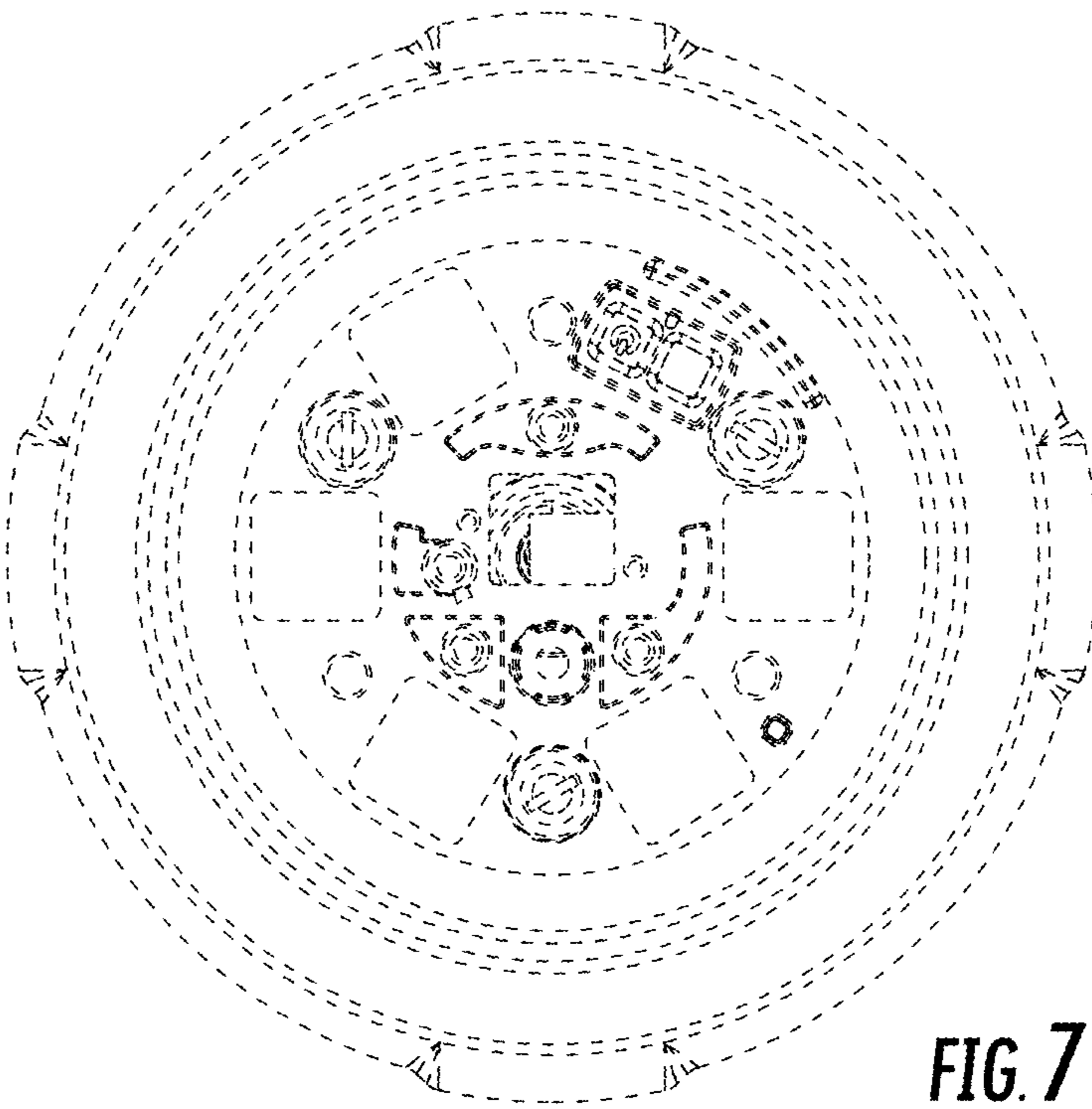


FIG. 7

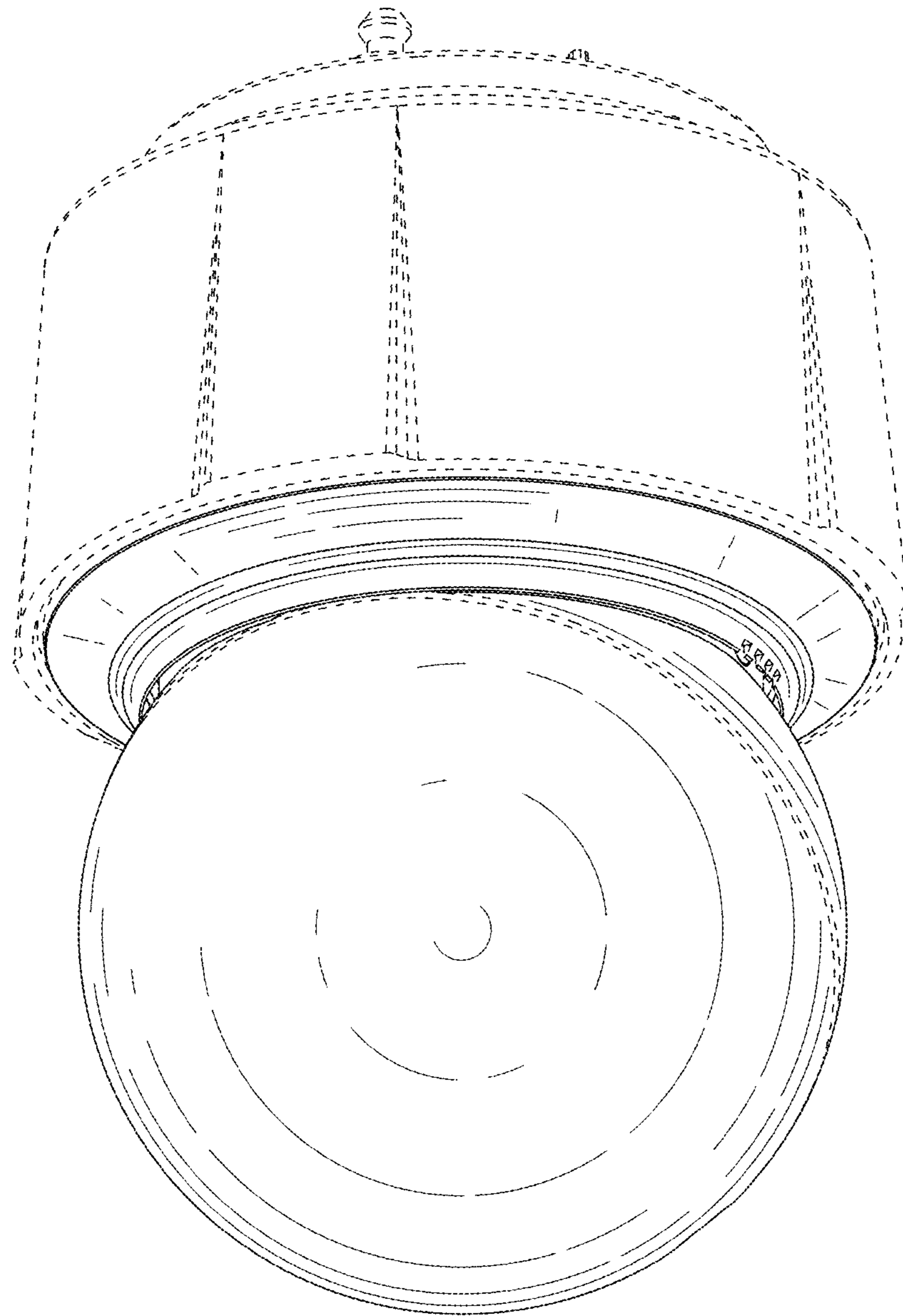


FIG. 8

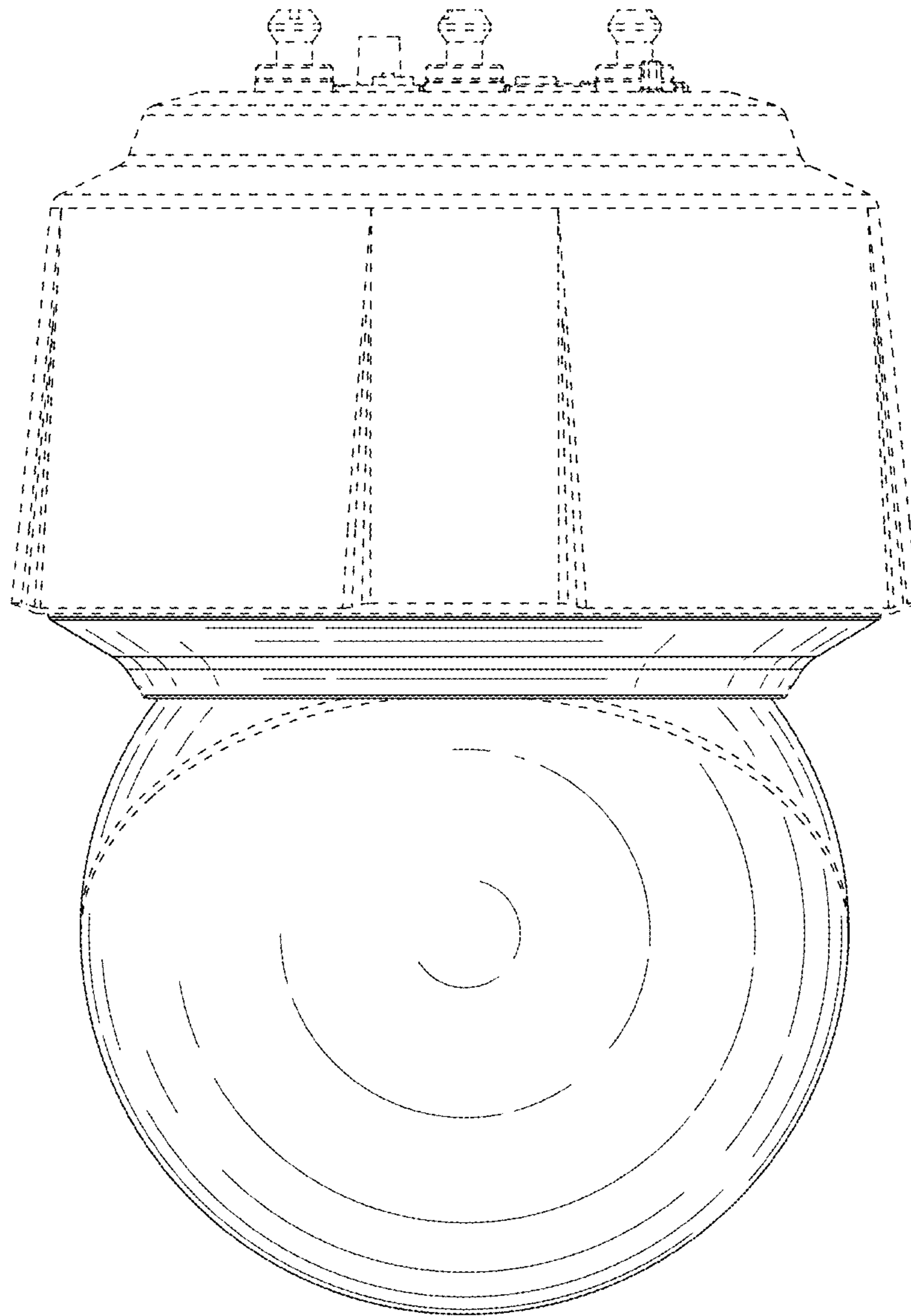


FIG. 9

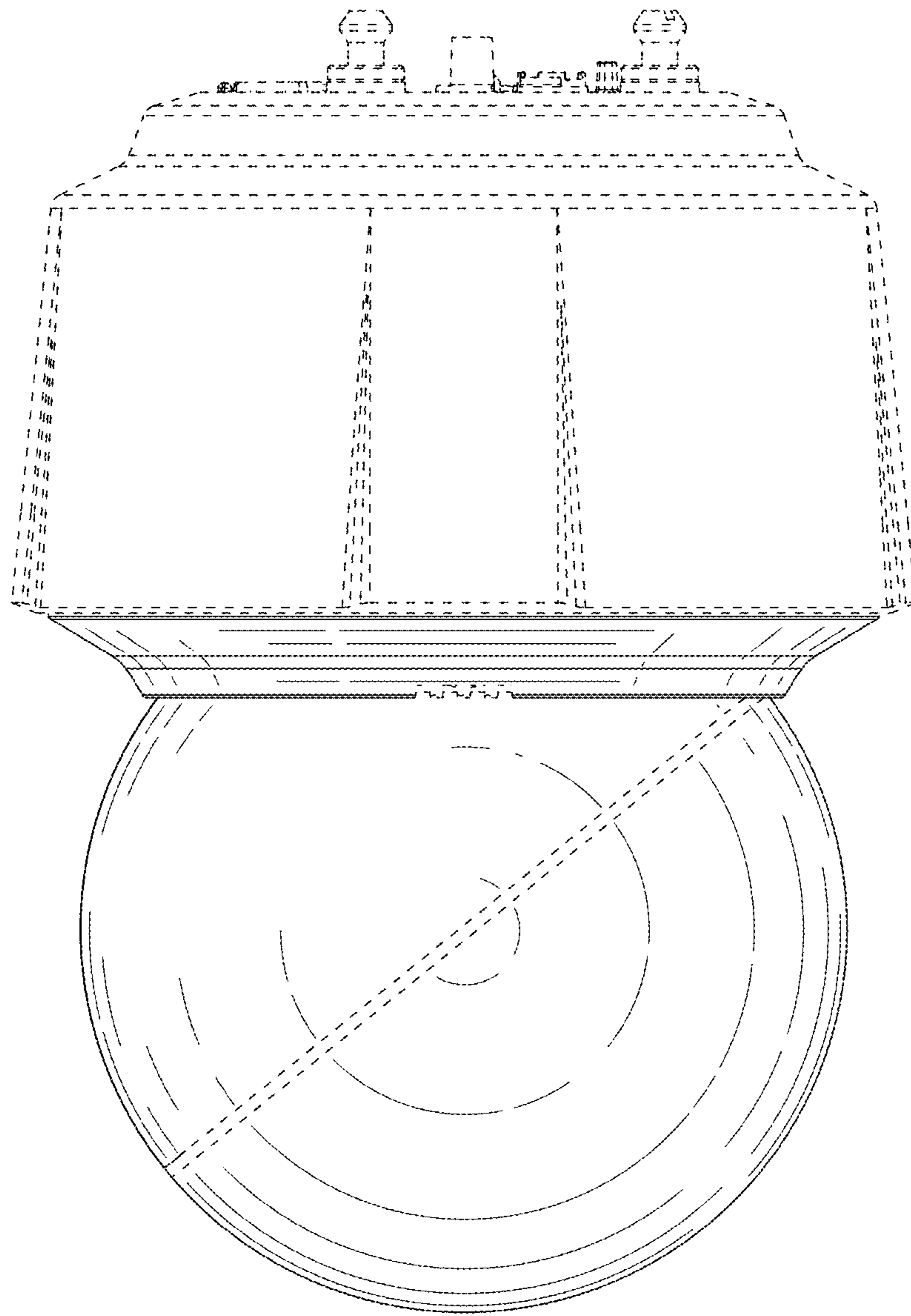


FIG. 10

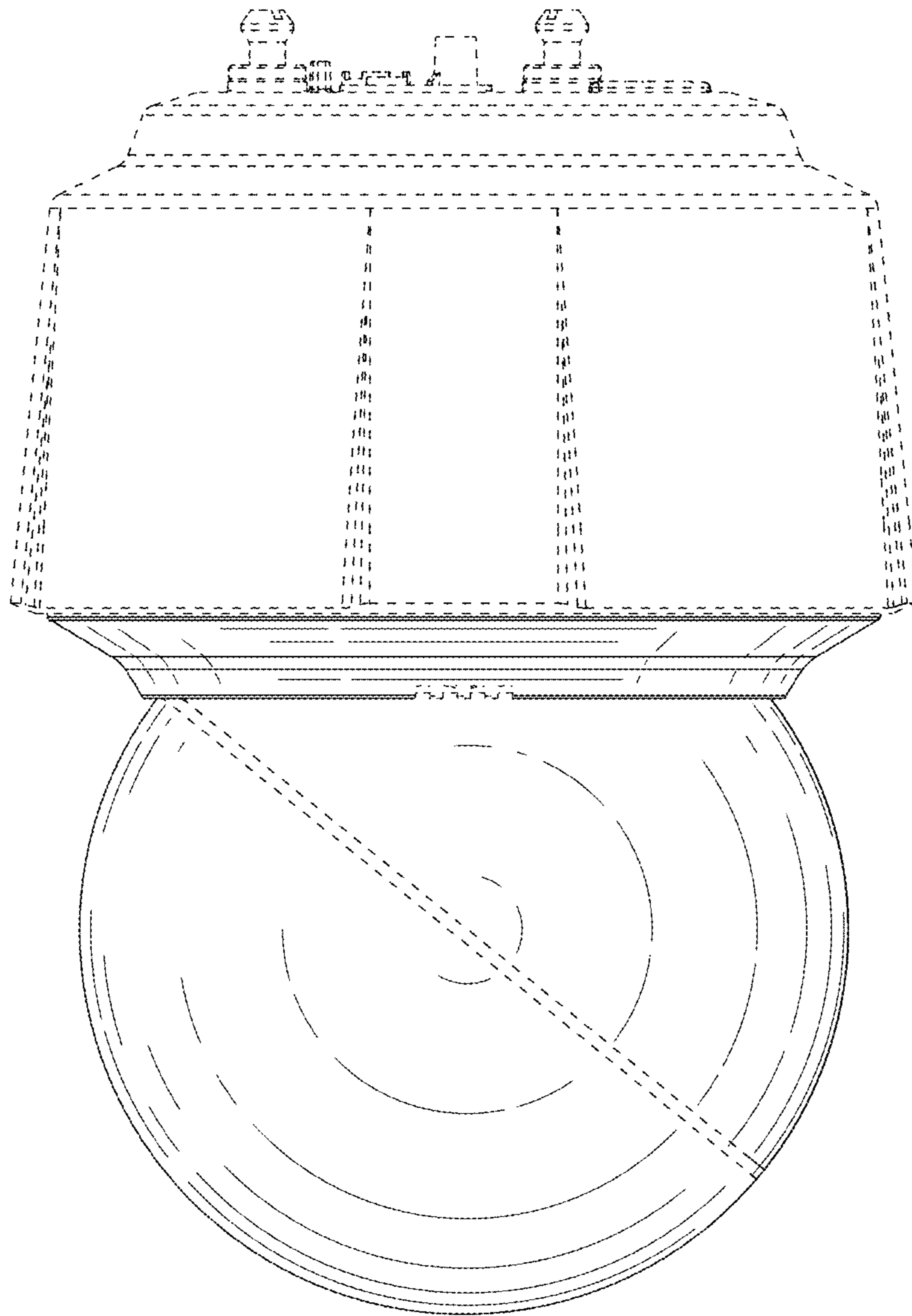


FIG. 11

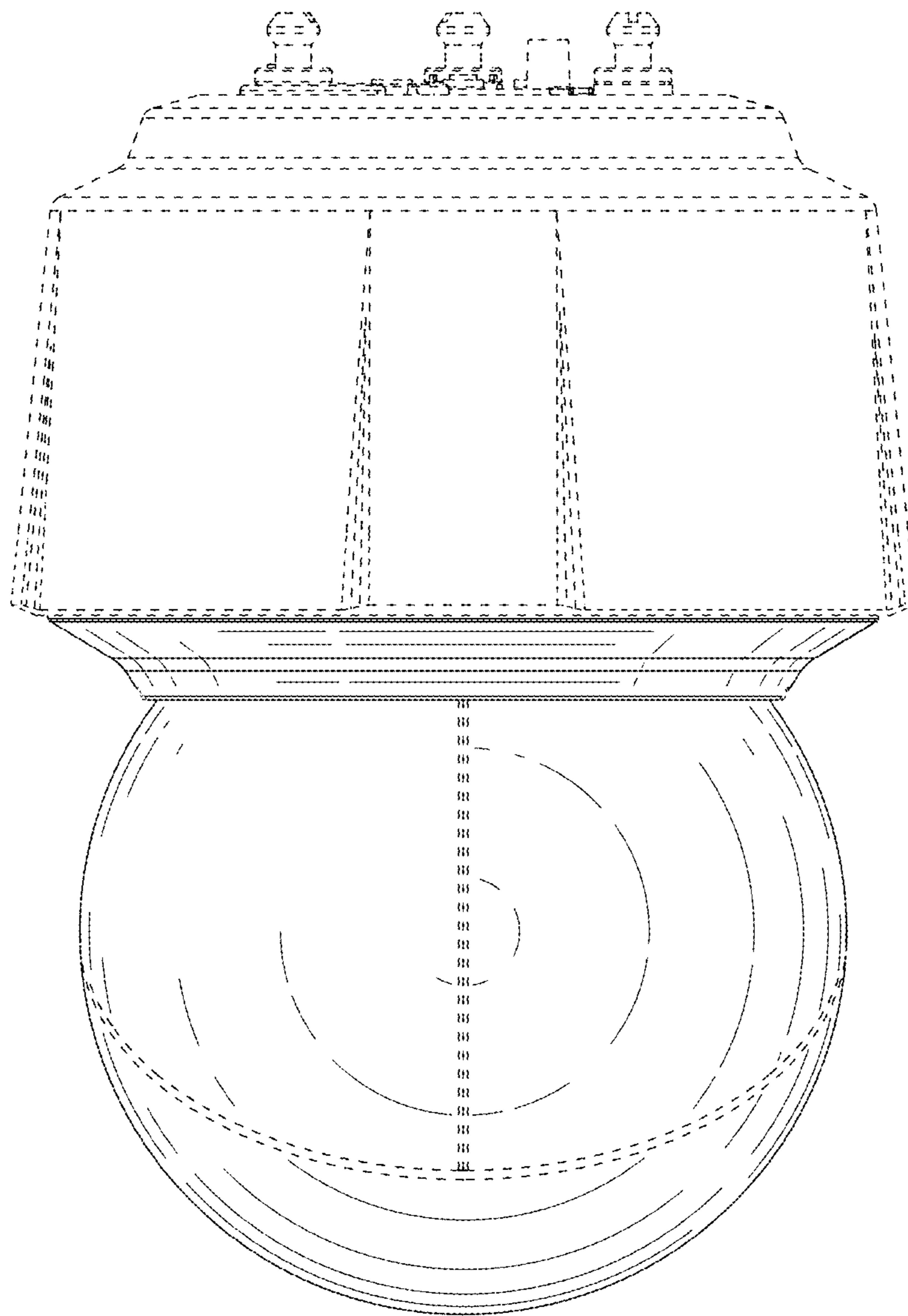


FIG. 12

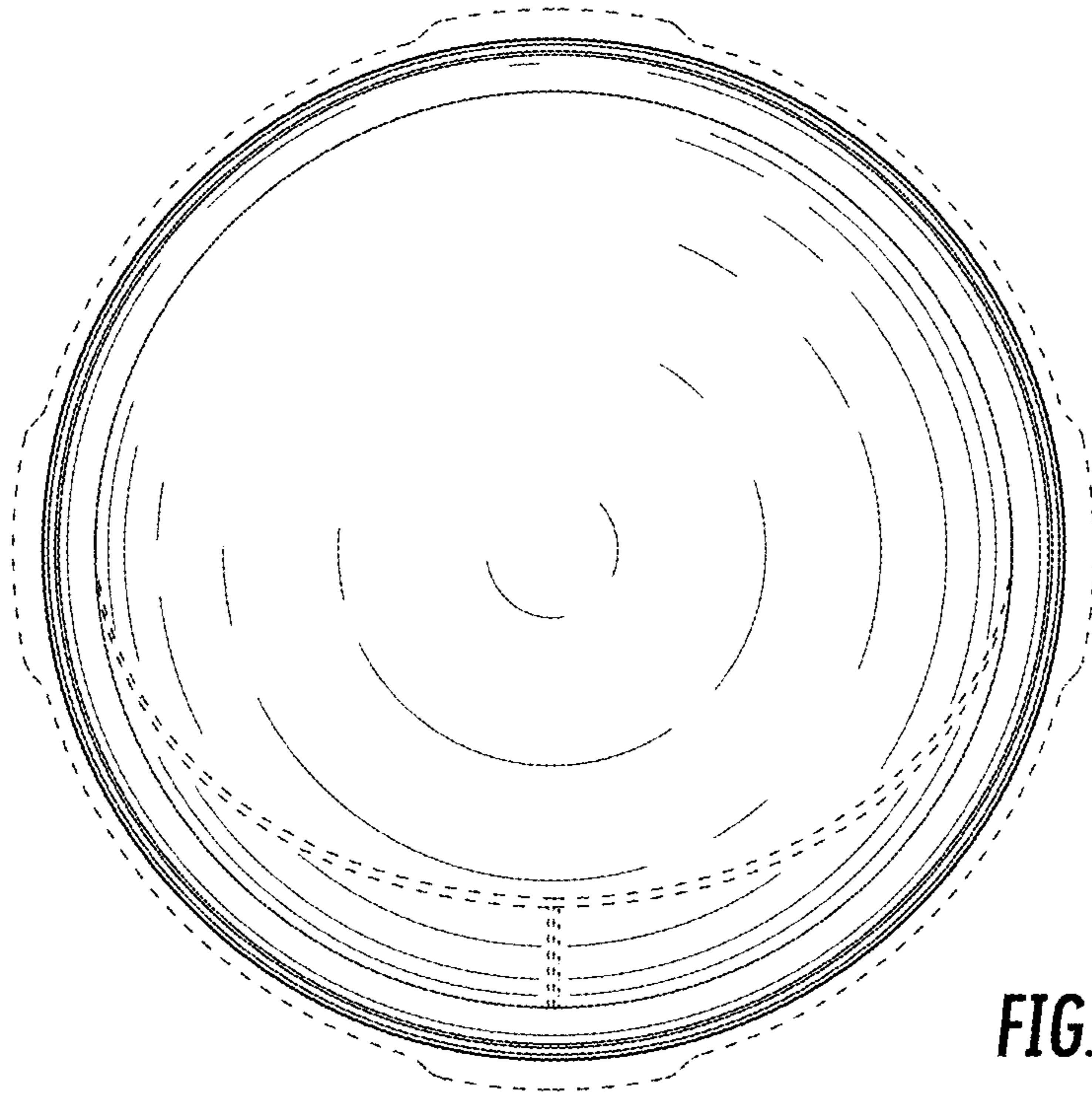


FIG. 13

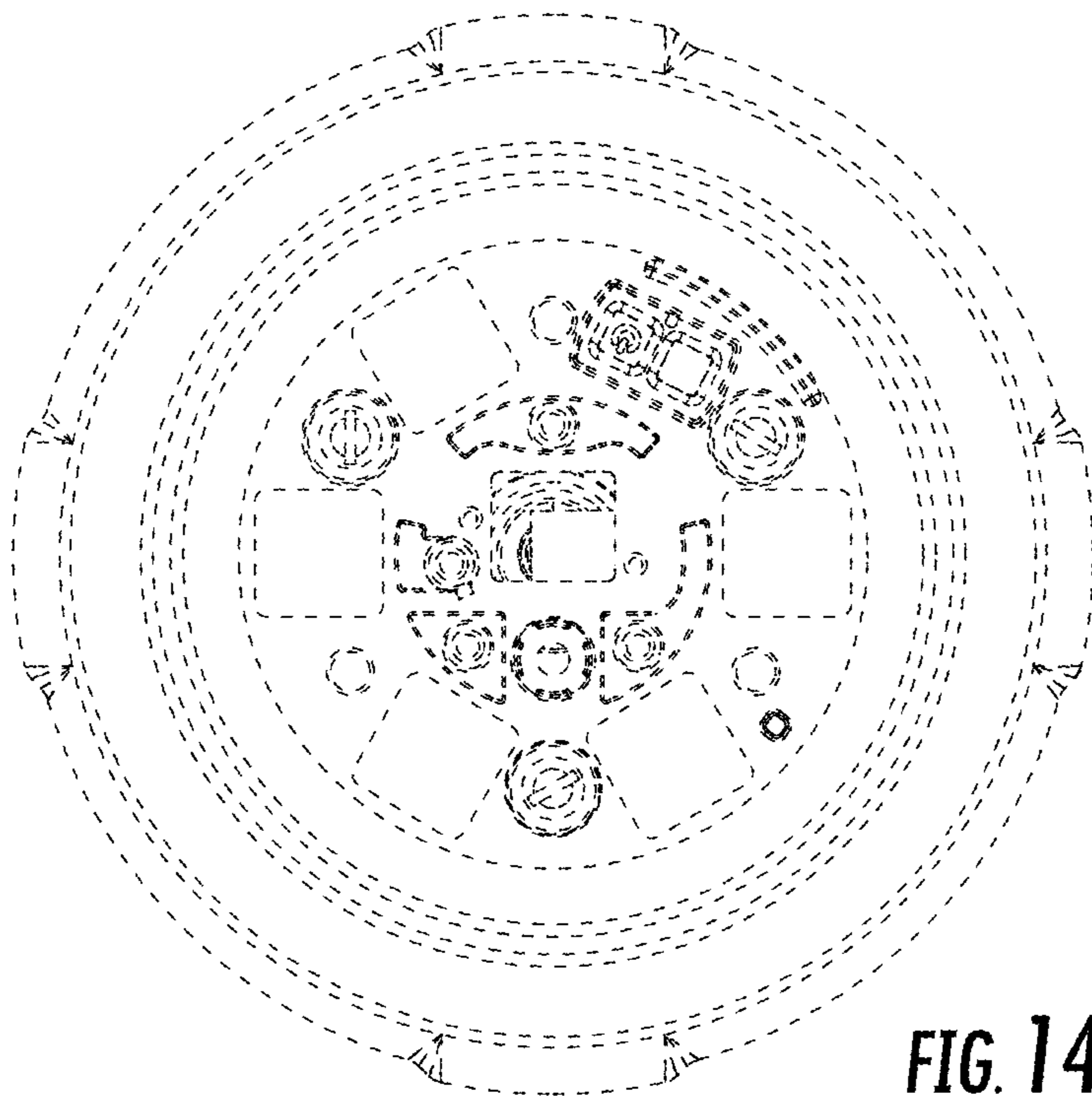


FIG. 14

UNITED STATES PATENT AND TRADEMARK OFFICE
CERTIFICATE OF CORRECTION

PATENT NO. : D782,557 S
APPLICATION NO. : 29/545550
DATED : March 28, 2017
INVENTOR(S) : Ahman et al.

Page 1 of 1

It is certified that error appears in the above-identified patent and that said Letters Patent is hereby corrected as shown below:

On the Title Page

At (72) Inventors: delete "Christian Jacobsson" and insert therefor --Christian Jakobsson--.

Signed and Sealed this
Third Day of August, 2021



Drew Hirshfeld
*Performing the Functions and Duties of the
Under Secretary of Commerce for Intellectual Property and
Director of the United States Patent and Trademark Office*