



US00D782556S

(12) **United States Design Patent**
Kobayashi

(10) **Patent No.:** **US D782,556 S**

(45) **Date of Patent:** **** Mar. 28, 2017**

(54) **DIGITAL CAMERA**

(71) Applicant: **Nikon Corporation**, Tokyo (JP)

(72) Inventor: **Yuki Kobayashi**, Tokyo (JP)

(73) Assignee: **Nikon Corporation**, Tokyo (JP)

(**) Term: **15 Years**

(21) Appl. No.: **29/533,987**

(22) Filed: **Jul. 23, 2015**

(30) **Foreign Application Priority Data**

Jan. 29, 2015 (JP) 2015-001703

Jan. 29, 2015 (JP) 2015-001704

(51) **LOC (10) Cl.** **16-01**

(52) **U.S. Cl.**
USPC **D16/202**

(58) **Field of Classification Search**
USPC D16/200, 202–206, 208, 217, 218, 219;
348/340, 373–376; 396/89, 176–178,
396/535, 539–541

CPC G03B 15/03; G03B 17/02; G03B 17/04;
G03B 17/56; G03B 19/04; H04N 5/2251;
H04N 5/2252; H04N 5/2253; H04N
5/2254; H04N 2101/00

See application file for complete search history.

(56) **References Cited**

U.S. PATENT DOCUMENTS

- 6,427,051 B1 * 7/2002 Hosokawa G03B 15/05
396/165
- D559,291 S * 1/2008 Hayashi D16/202
- D560,239 S * 1/2008 Kim D16/202
- D581,440 S * 11/2008 Nakamura D16/202
- D594,892 S * 6/2009 Kamiya D16/202
- D609,730 S * 2/2010 Nakamura D16/202

- D620,036 S * 7/2010 Obata D16/202
- D664,582 S * 7/2012 Asano D16/202
- D672,802 S * 12/2012 Nojima D16/219
- D690,755 S * 10/2013 Nikaido D16/202
- D698,840 S * 2/2014 Nakamura D16/202
- D724,131 S * 3/2015 Kim D16/202
- D736,846 S * 8/2015 Jang D16/202

FOREIGN PATENT DOCUMENTS

- JP 1345259 S 12/2008
- JP 1374125 S 11/2009
- JP 1401594 S 11/2010

* cited by examiner

Primary Examiner — Susan E Krakower

Assistant Examiner — Ramzi Almatrahi

(74) *Attorney, Agent, or Firm* — Wolf, Greenfield & Sacks, P.C.

(57) **CLAIM**

The ornamental design for a digital camera, as shown and described.

DESCRIPTION

FIG. 1 is a front, top and right side perspective view of a digital camera showing my new design;
 FIG. 2 is a rear, top and left side perspective view thereof;
 FIG. 3 is a front view thereof;
 FIG. 4 is a rear view thereof;
 FIG. 5 is a top plan view thereof;
 FIG. 6 is a bottom plan view thereof;
 FIG. 7 is a right side view thereof; and,
 FIG. 8 is a left side view thereof.

The dash-dash broken lines depict portions of the digital camera in which the design is embodied that form no part of the claimed design. Additionally, the dash-dot broken lines denote the boundary of the claim and form no part of the claimed design.

1 Claim, 8 Drawing Sheets

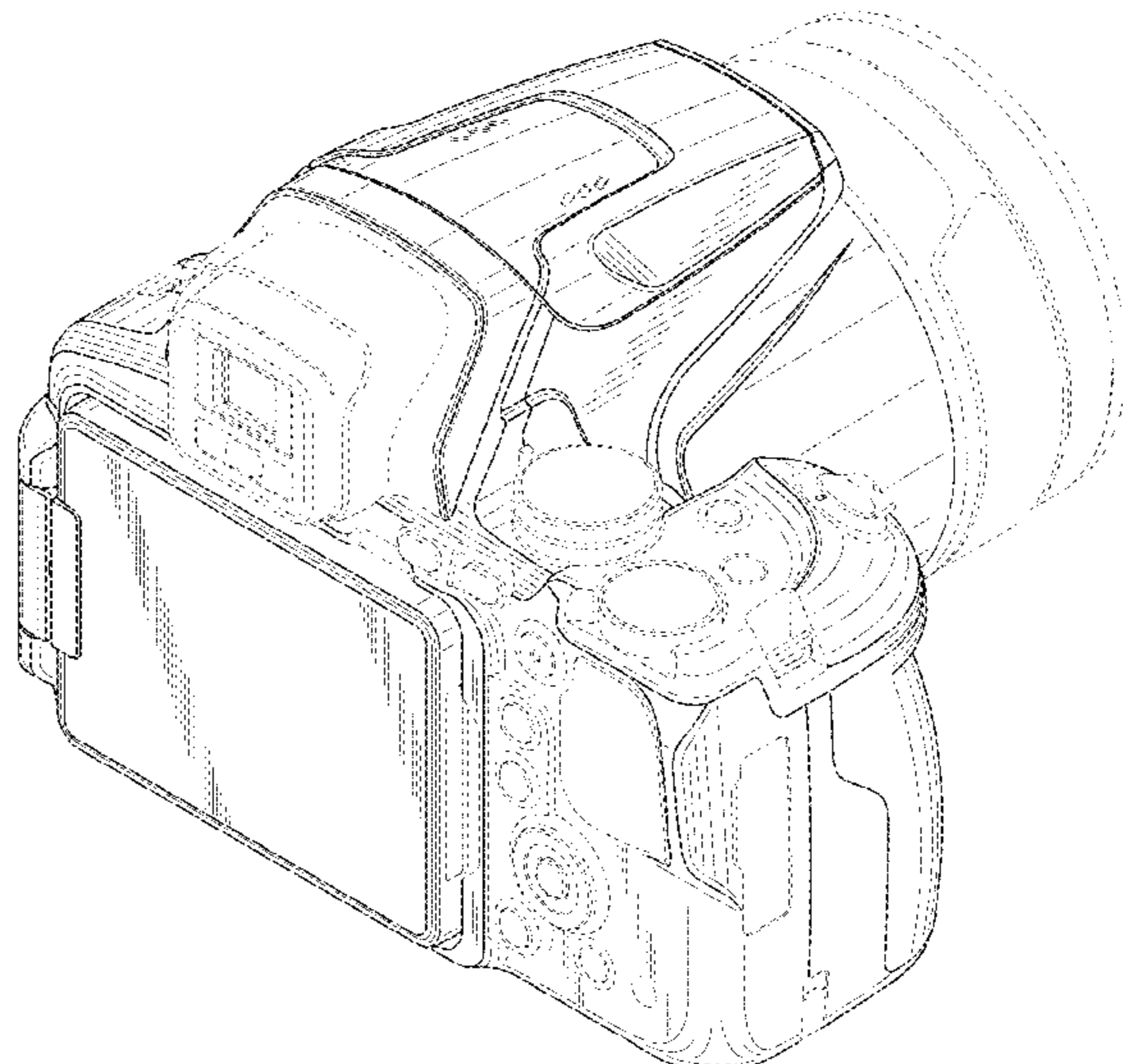
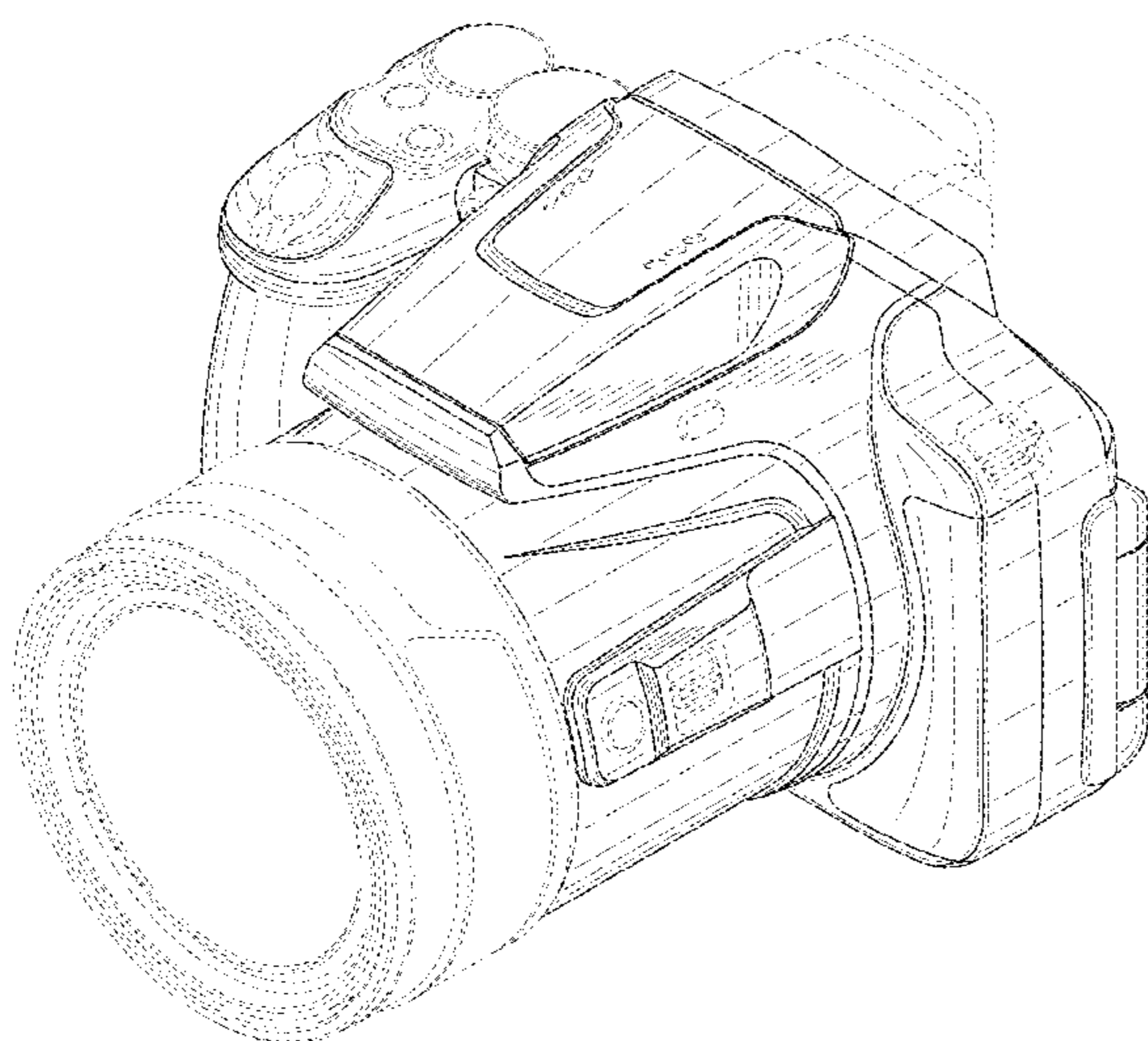


FIG. 1

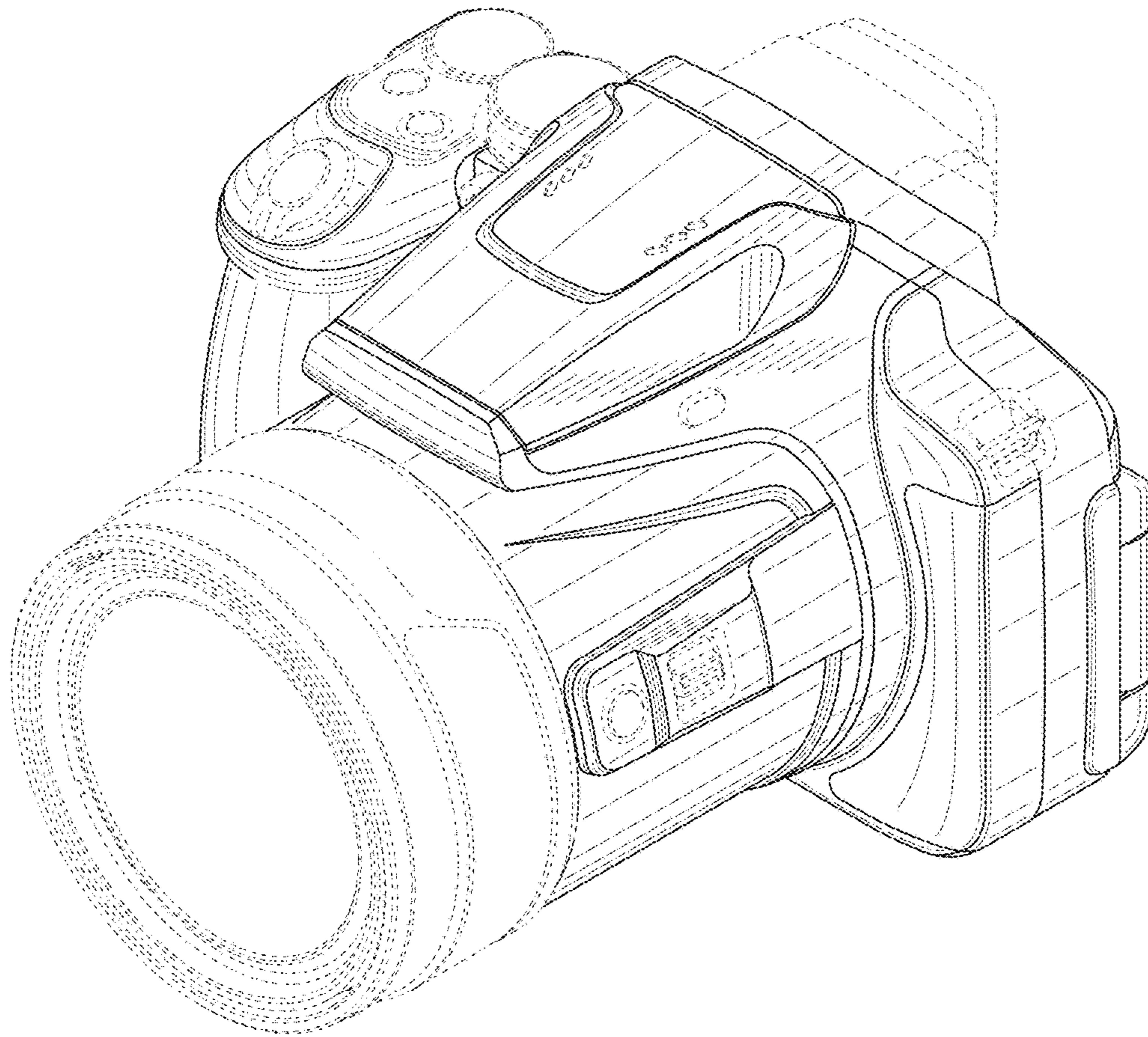


FIG. 2

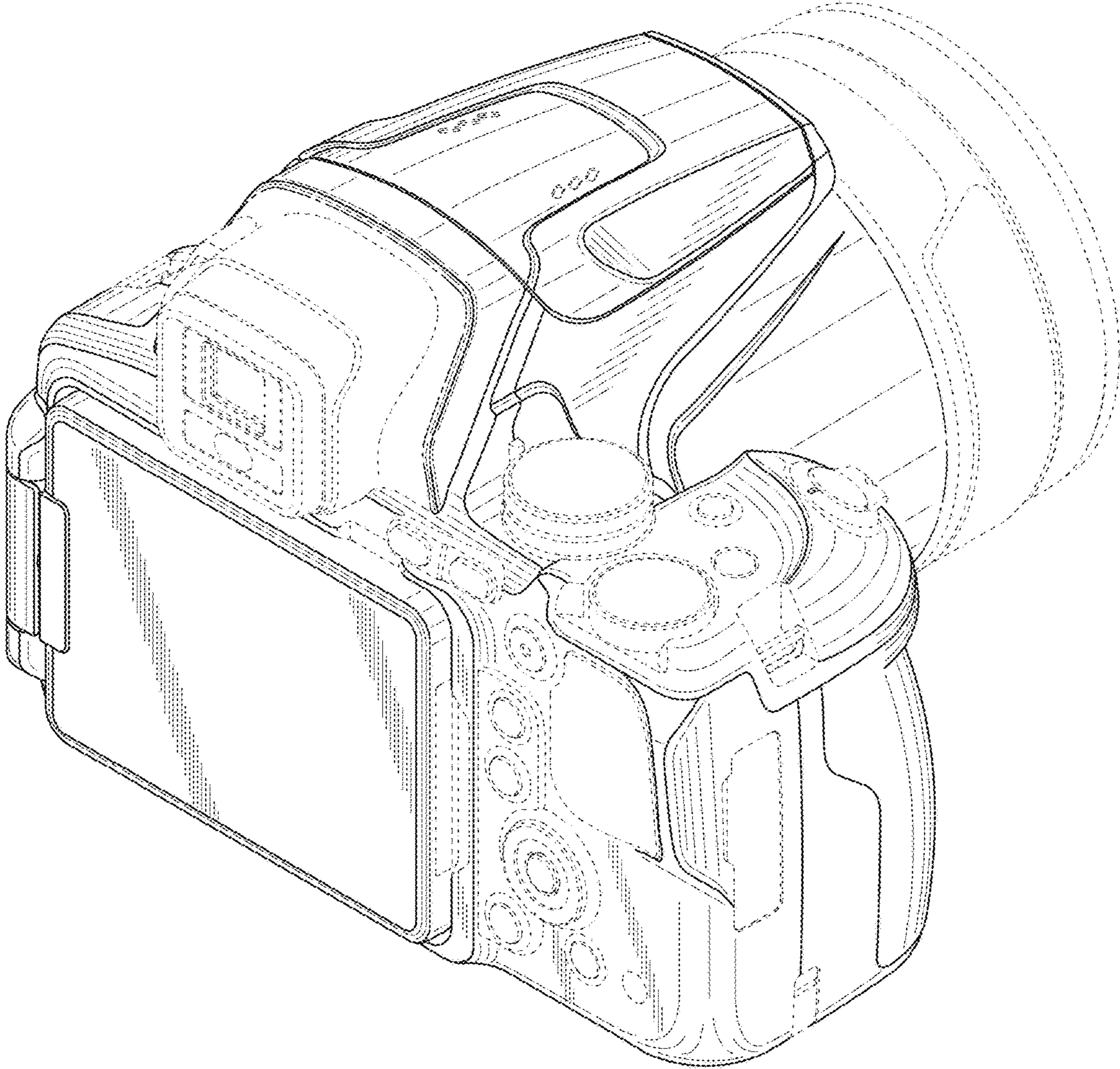


FIG. 3

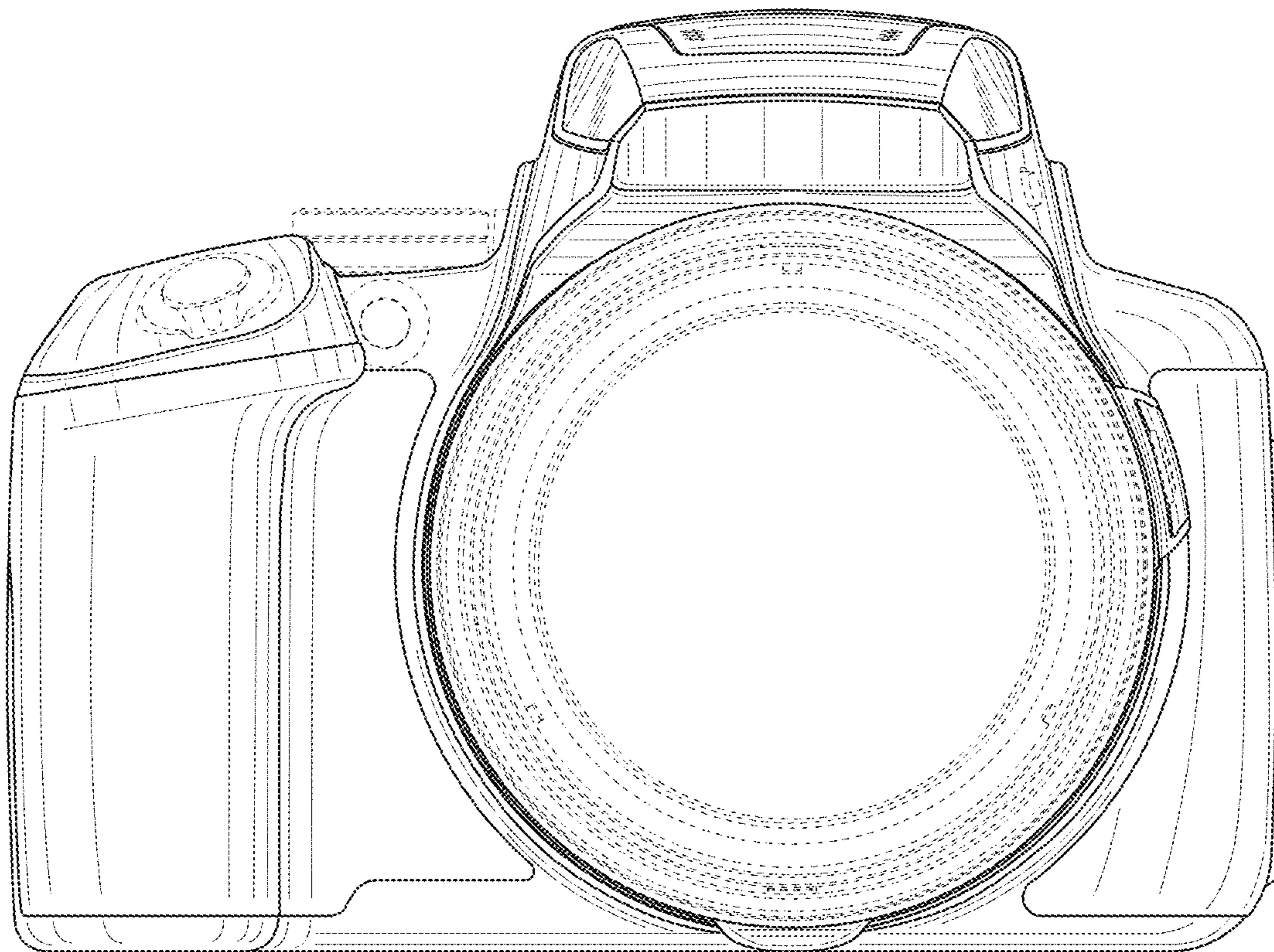


FIG. 4

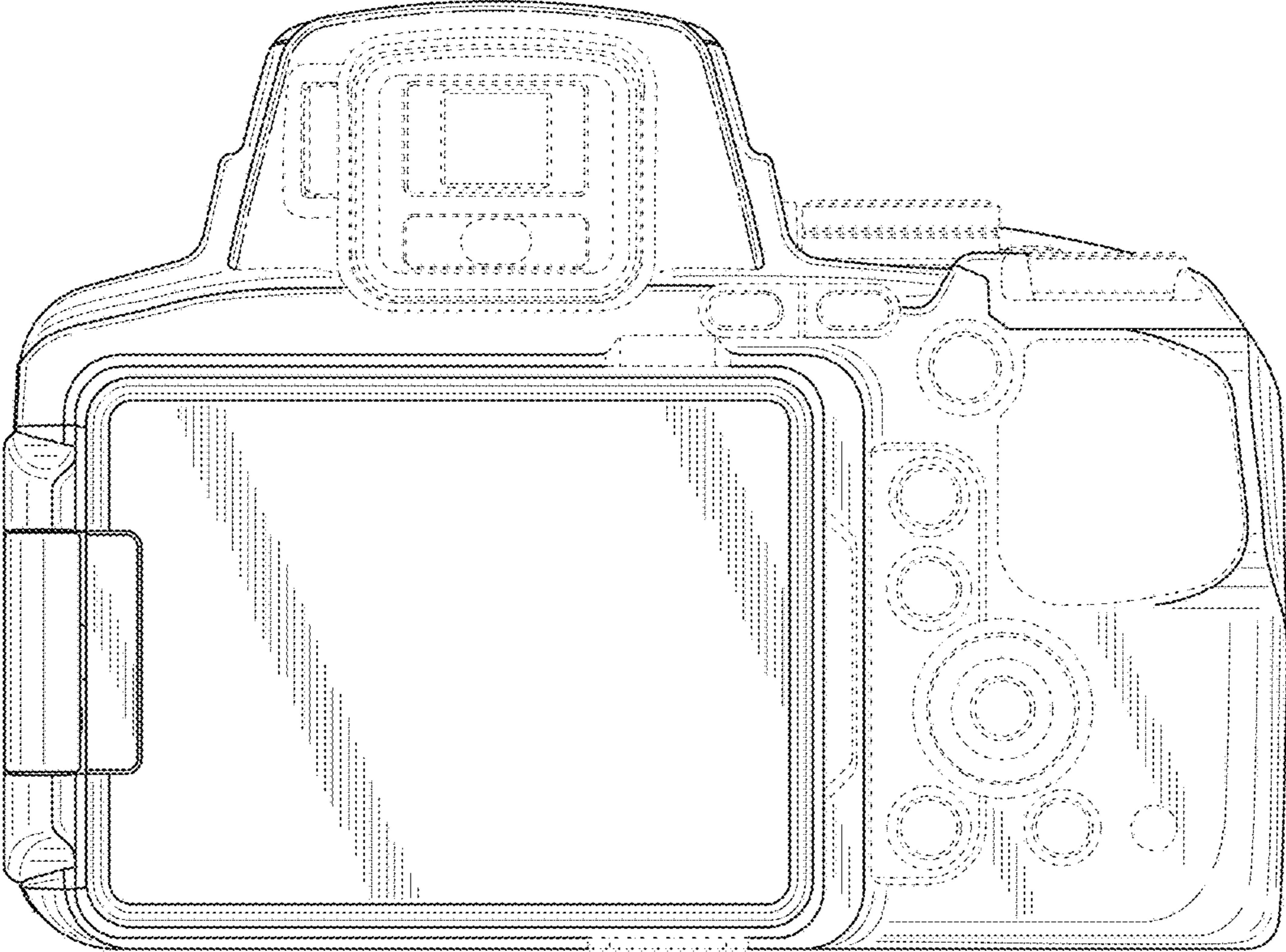


FIG. 5

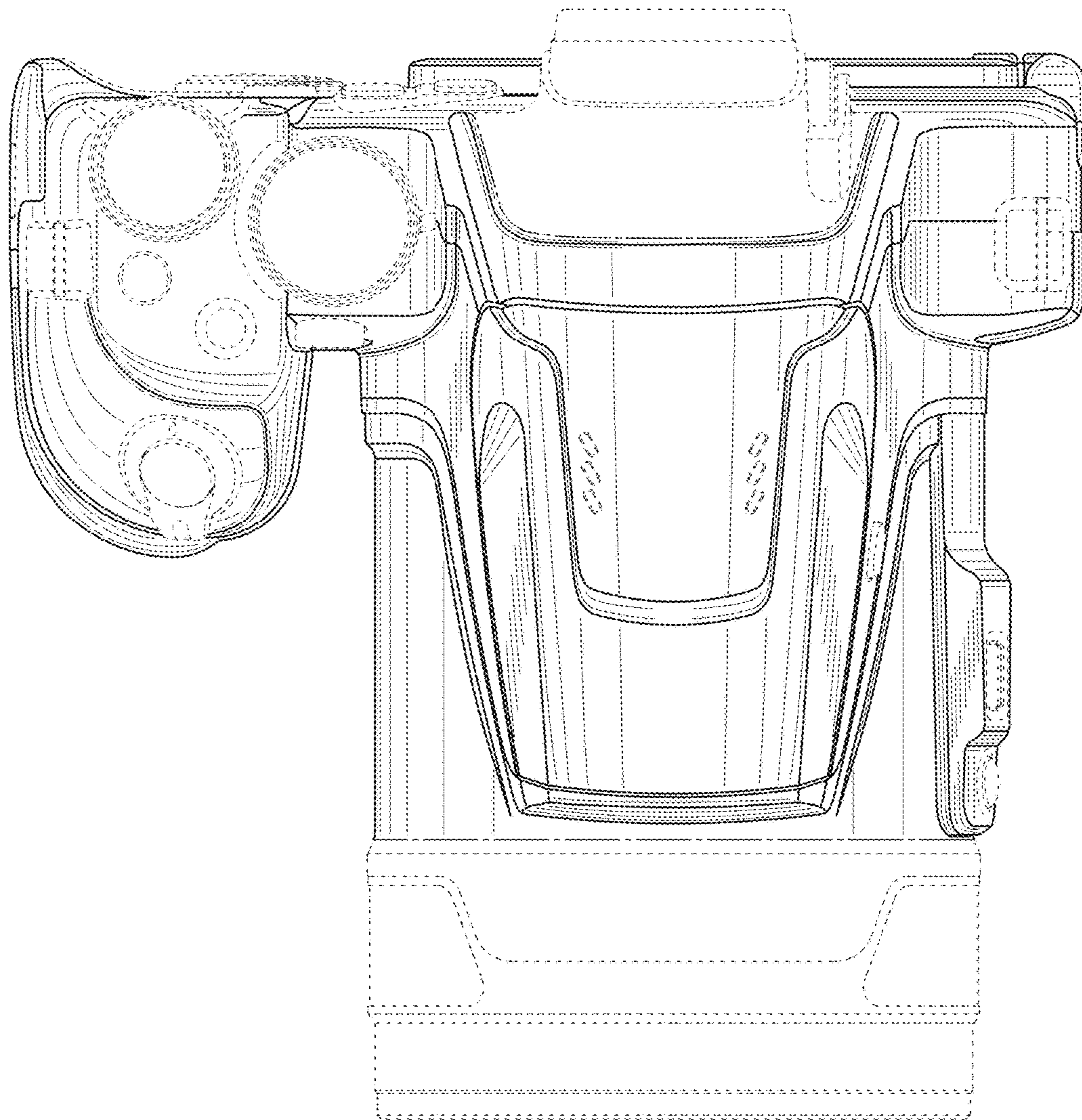


FIG. 6

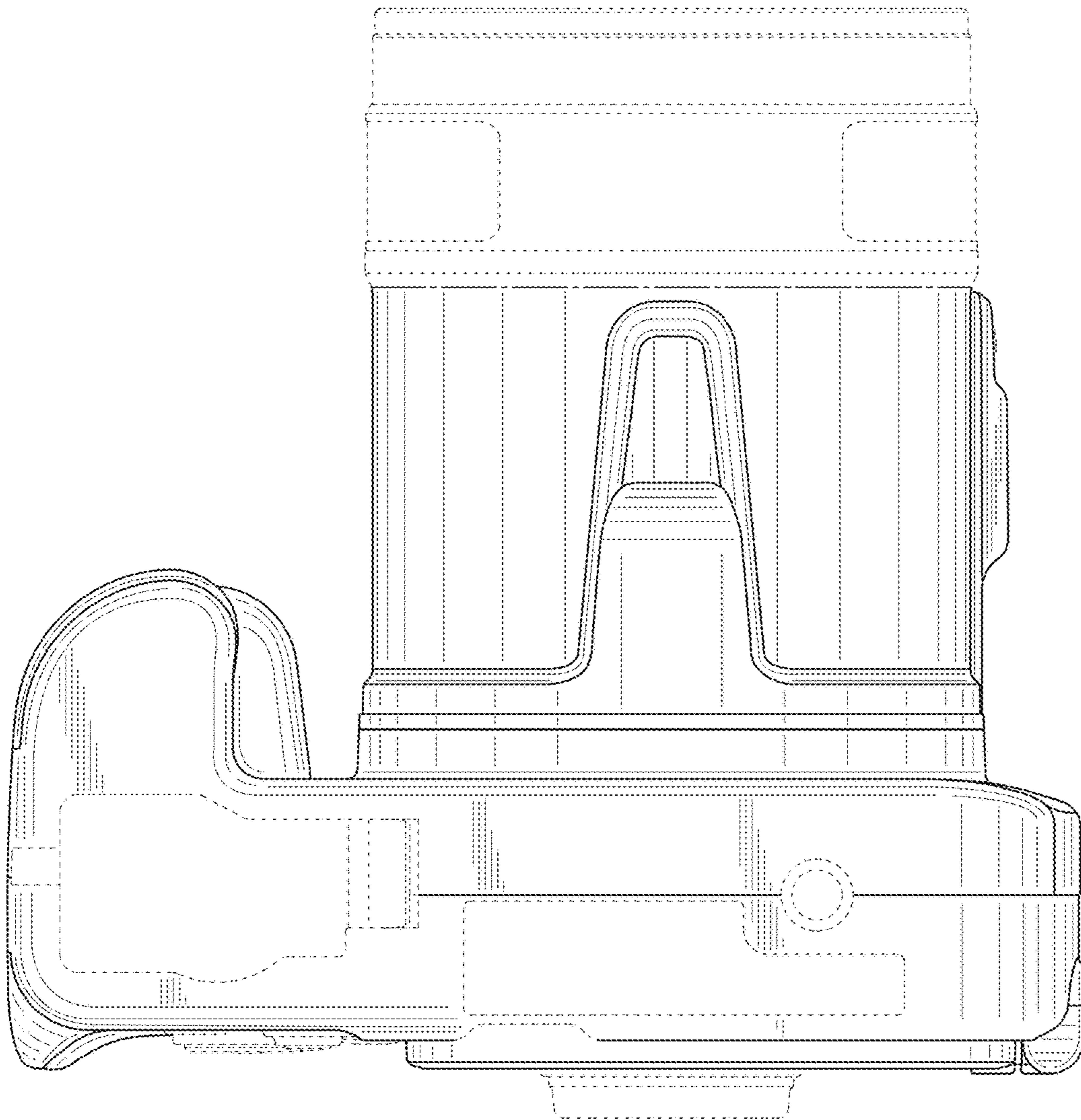


FIG. 7

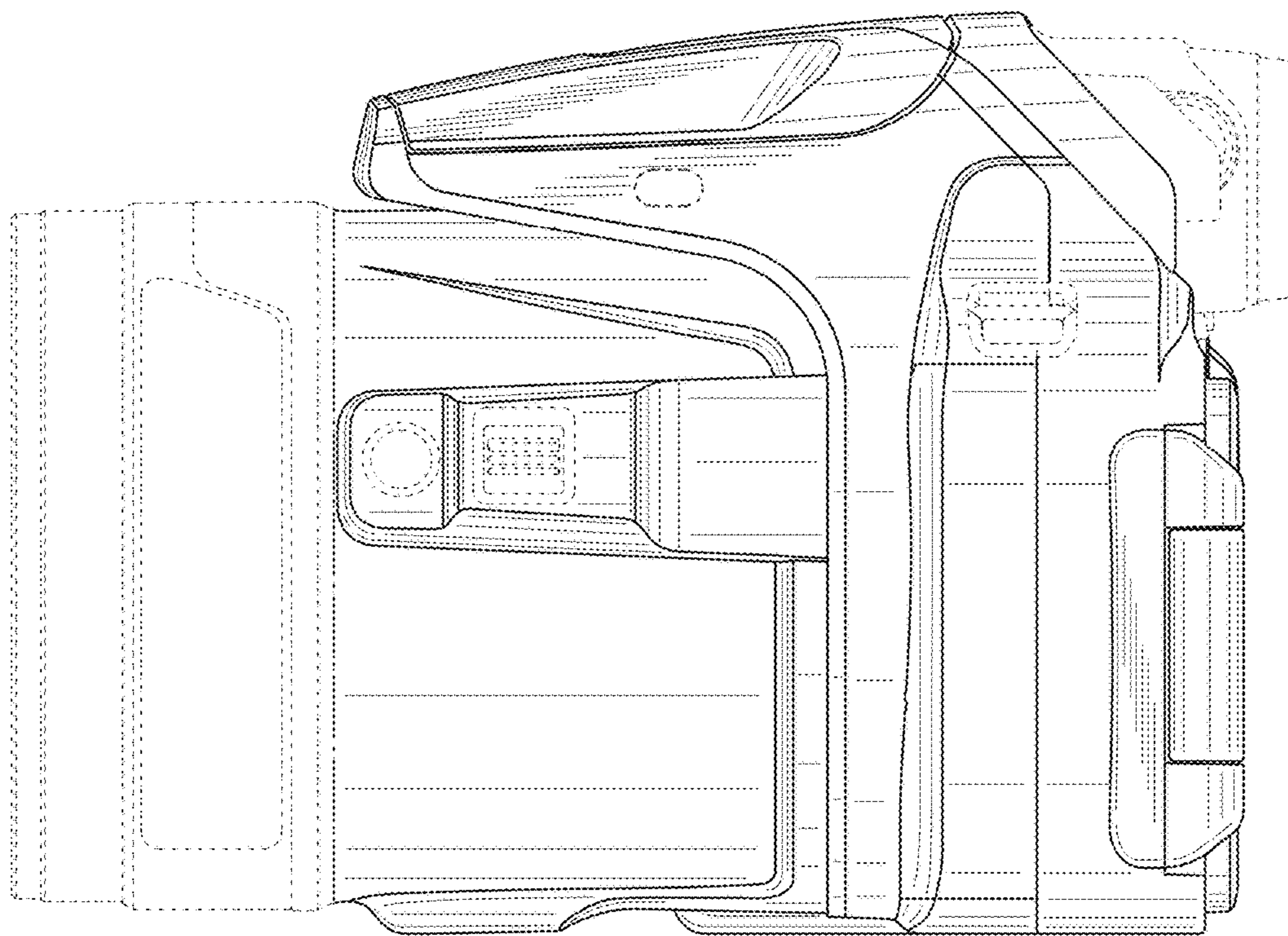


FIG. 8

