



US00D782554S

(12) **United States Design Patent** (10) **Patent No.:** **US D782,554 S**  
**Karsten et al.** (45) **Date of Patent:** **\*\* Mar. 28, 2017**

(54) **MICROSCOPE STRADDLE STAND**

(71) Applicants: **Stanislav L. Karsten**, Rancho Palos Verdes, CA (US); **Lili C. Kudo**, Rancho Palos Verdes, CA (US)

(72) Inventors: **Stanislav L. Karsten**, Rancho Palos Verdes, CA (US); **Lili C. Kudo**, Rancho Palos Verdes, CA (US)

(\*\*) Term: **14 Years**

(21) Appl. No.: **29/506,904**

(22) Filed: **Oct. 28, 2014**

(51) **LOC (10) Cl.** ..... **16-06**

(52) **U.S. Cl.**  
USPC ..... **D16/131**

(58) **Field of Classification Search**  
USPC ..... 248/163.1, 188, 188.8, 188.2, 222.51, 248/229.15, 229.22, 229.25, 440.01, 518,  
(Continued)

(56) **References Cited**

**U.S. PATENT DOCUMENTS**

D257,704 S \* 12/1980 Gabr ..... D26/106  
D334,850 S \* 4/1993 Vigna ..... 248/524  
(Continued)

*Primary Examiner* — Susan Bennett Hattan

*Assistant Examiner* — Jennifer Wright

(74) *Attorney, Agent, or Firm* — John D. Tran; Rhema Law Group

(57) **CLAIM**

The ornamental design for a microscope straddle stand, as shown and described.

**DESCRIPTION**

FIG. 1 is a perspective view of an ornamental design for a microscope straddle stand in a collapsed position.

FIG. 2 is a perspective view of the ornamental design for the microscope straddle stand with a microscope and in a collapsed position.

FIG. 3 is a front view of the ornamental design for the microscope straddle stand in a collapsed position.

FIG. 4 is a back view of the ornamental design for the microscope straddle stand in a collapsed position.

FIG. 5 is a right side view of the ornamental design for the microscope straddle stand in a collapsed position.

FIG. 6 is a left side view of the ornamental design for the microscope straddle stand in a collapsed position.

FIG. 7 is a top-down view of the ornamental design for the microscope straddle stand in a collapsed position.

FIG. 8 is a bottom view of the ornamental design for the microscope straddle stand in a collapsed position.

FIG. 9 is a perspective view of the ornamental design for the microscope straddle stand in an extended position.

FIG. 10 is a perspective view of the ornamental design for the microscope straddle stand in an extended position.

FIG. 11 is a front view of the ornamental design for the microscope straddle stand in an extended position.

FIG. 12 is a back view of the ornamental design for the microscope straddle stand in an extended position.

FIG. 13 is a right side view of the ornamental design for the microscope straddle stand in an extended position.

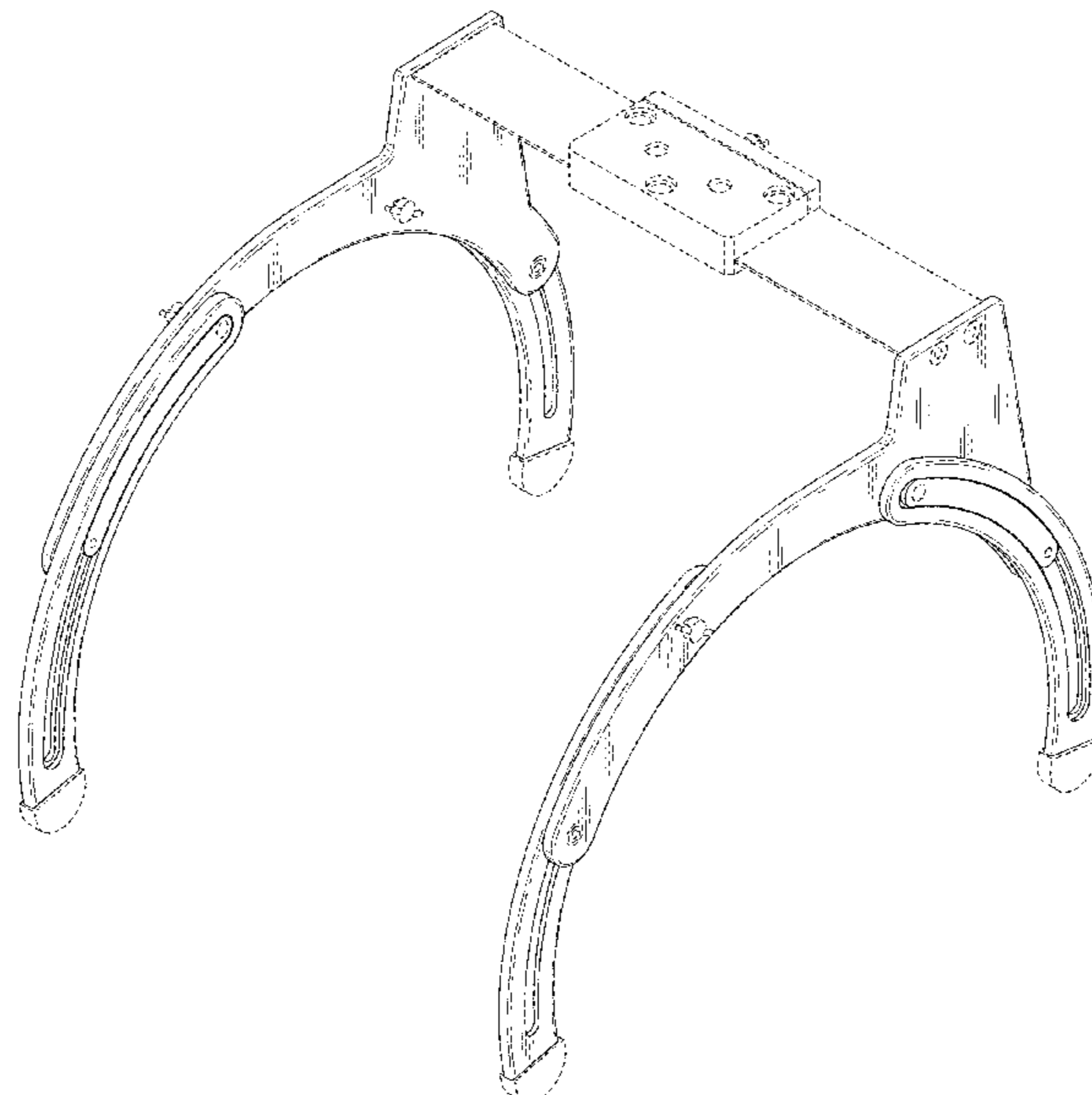
FIG. 14 is a left side view of the ornamental design for the microscope straddle stand in an extended position.

FIG. 15 is a top-down view of the ornamental design for the microscope straddle stand in an extended position; and,

FIG. 16 is a bottom view of the ornamental design for the microscope straddle stand in an extended position.

The broken lines shown throughout the views represent the portions of the microscope straddle stand that form no part of the claim.

**1 Claim, 10 Drawing Sheets**



(58) **Field of Classification Search**

USPC ..... 248/519, 599–601, 643, 644, 649, 653,  
 248/673, 676, 677, 678, 683, 689;  
 D6/310–313, 406.5, 708; D21/392, 455,  
 D21/461, 686, 702, 715, 796; D12/415;  
 D16/136, 214, 234, 235, 236, 239, 242,  
 D16/243, 318, 334, 130, 133, 134, 135,  
 D16/137, 131; D14/209.1, 211, 217, 224,  
 D14/238, 251, 316, 324, 376, 432, 447,  
 D14/450, 451, 452, 457, 468, 469  
 CPC ..... H05K 5/0004; H05K 5/017; H05K 5/02;  
 H05K 5/0217; G06F 1/1601; G06F  
 1/1643

See application file for complete search history.

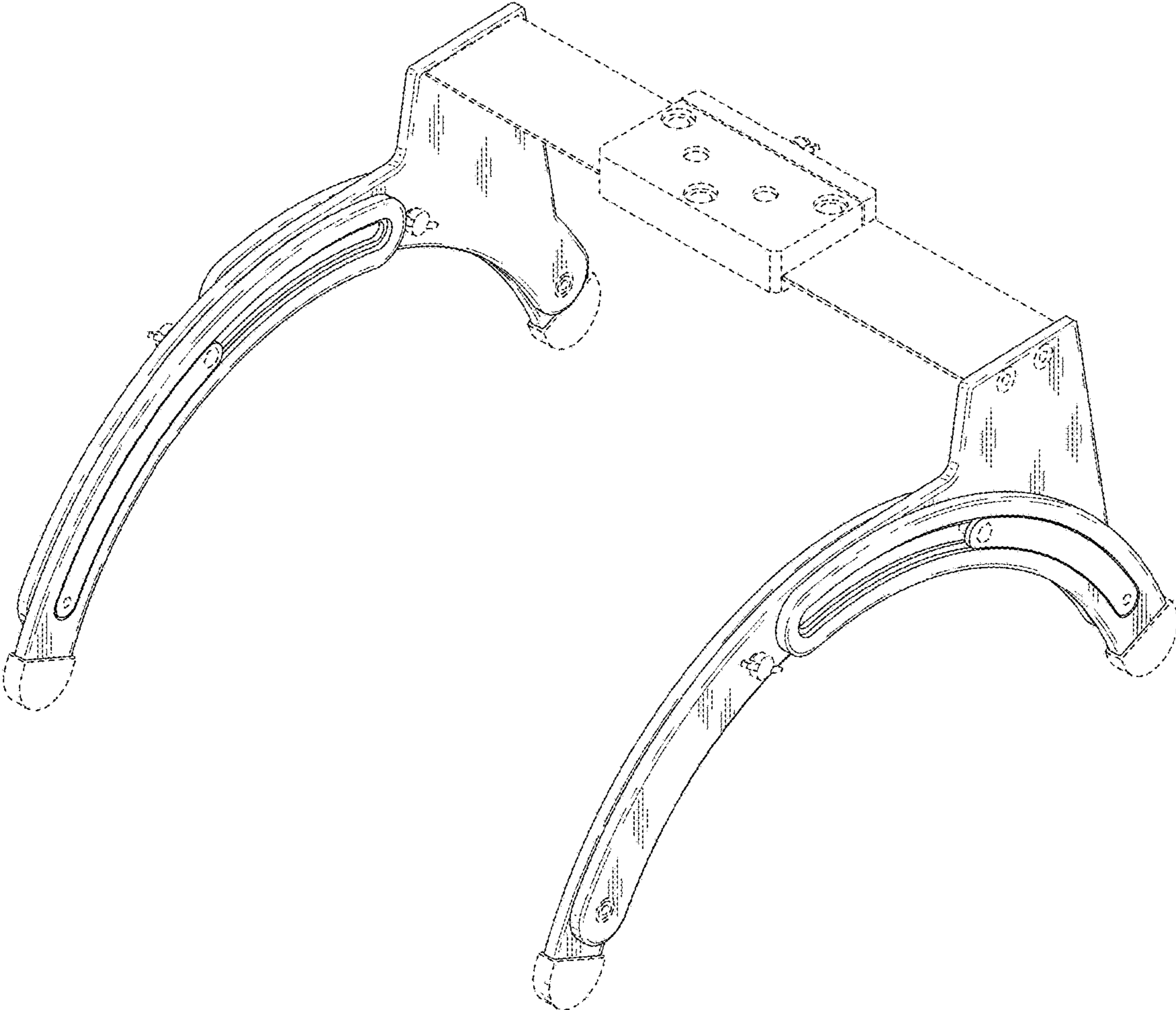
(56) **References Cited**

U.S. PATENT DOCUMENTS

D335,401 S \* 5/1993 Nations ..... D11/131  
 D494,978 S \* 8/2004 Pfister ..... D14/432

D498,746 S \* 11/2004 Solland ..... D14/211  
 D504,899 S \* 5/2005 Ellis ..... D14/450  
 D522,282 S \* 6/2006 Schiefer ..... D6/708  
 D522,283 S \* 6/2006 Schiefer ..... D6/708  
 D571,121 S \* 6/2008 Radermacher ..... D15/127  
 D606,843 S \* 12/2009 Grant ..... D8/349  
 D666,029 S \* 8/2012 Chen ..... D6/708  
 D679,117 S \* 4/2013 Werner ..... D6/682.4  
 D680,106 S \* 4/2013 Hwangbo ..... D14/239  
 D704,968 S \* 5/2014 Steger ..... D6/682.4  
 D704,973 S \* 5/2014 Denby ..... D6/708  
 D725,063 S \* 3/2015 Cho ..... D14/126  
 D728,582 S \* 5/2015 Kim ..... D14/451  
 D742,364 S \* 11/2015 Reinhertz ..... D14/239  
 D744,970 S \* 12/2015 Kim ..... D14/126  
 D748,080 S \* 1/2016 Jung ..... D14/239  
 D757,019 S \* 5/2016 Pitteri ..... D14/447  
 D758,524 S \* 6/2016 Woller ..... D22/113  
 D759,636 S \* 6/2016 Lee ..... D14/239  
 D760,678 S \* 7/2016 Cho ..... D14/126

\* cited by examiner



*Fig. 1*

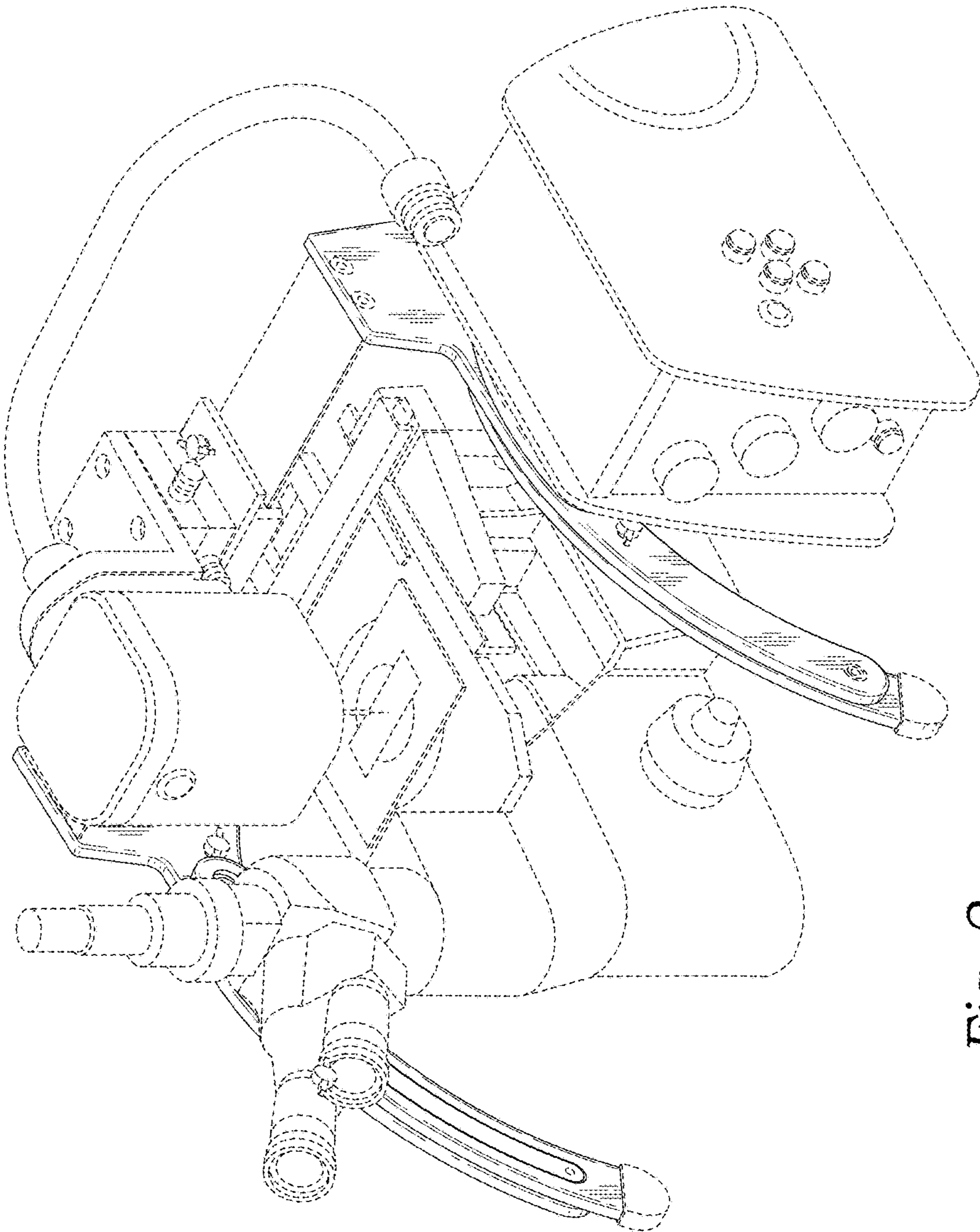
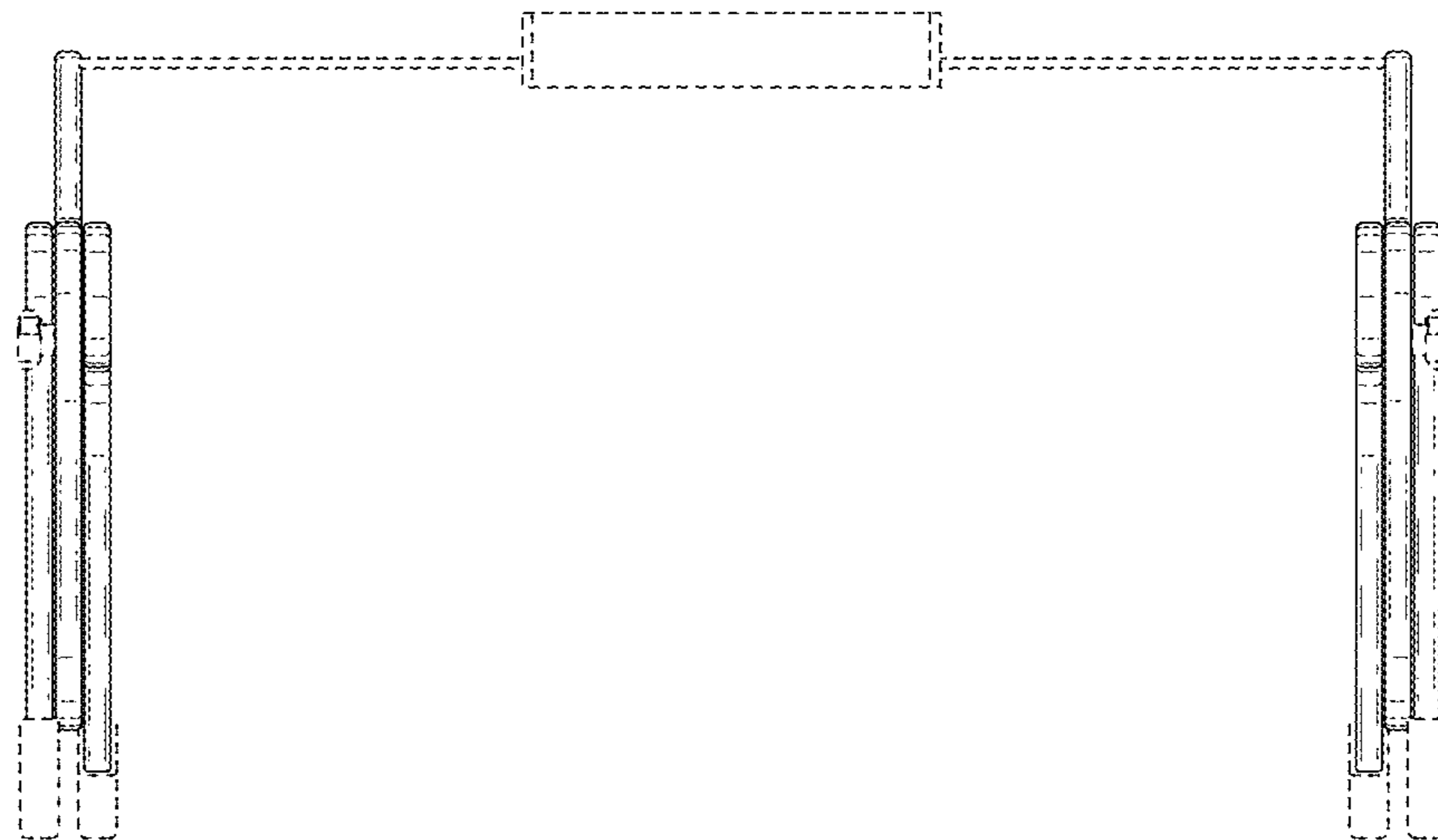
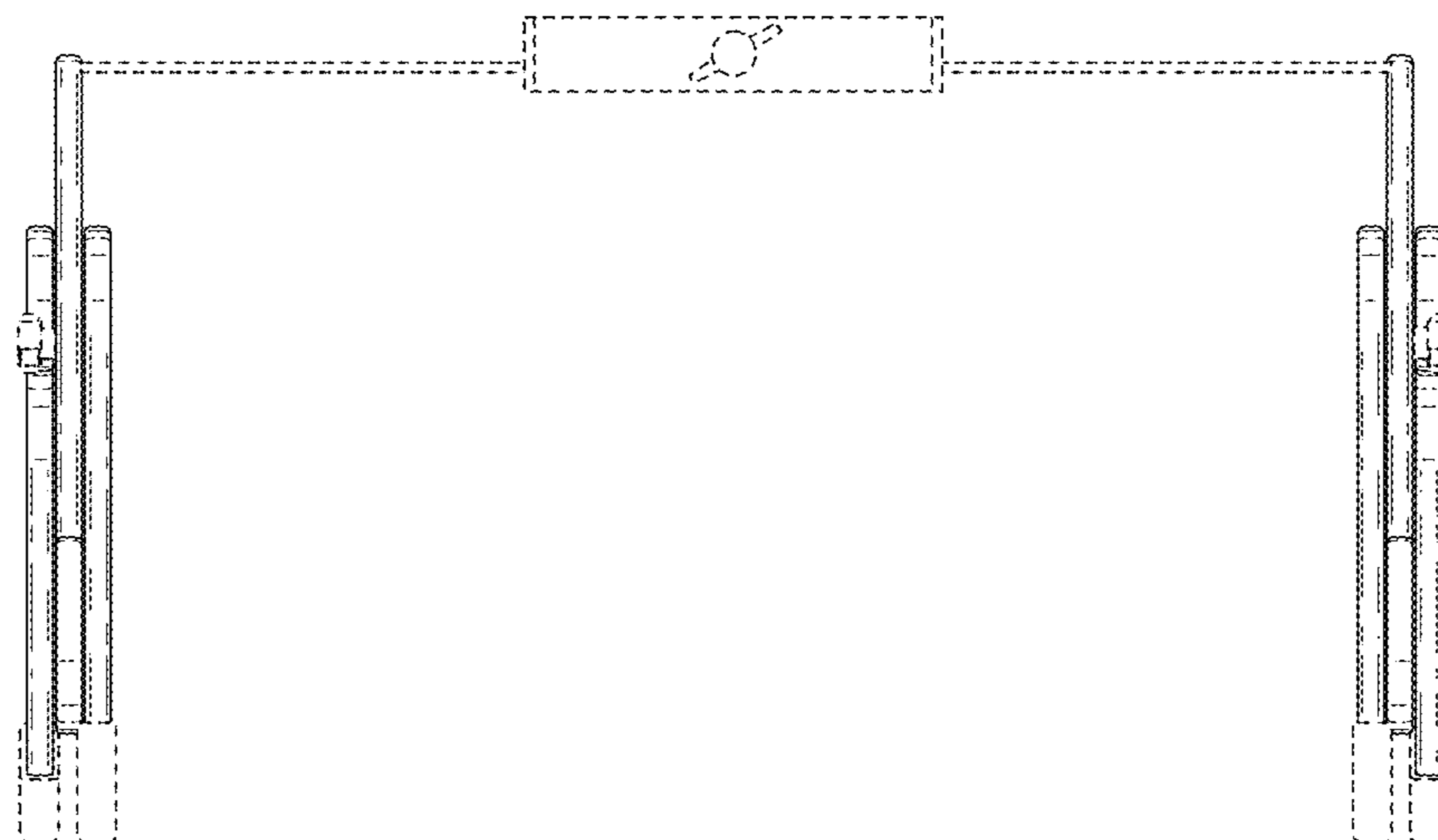


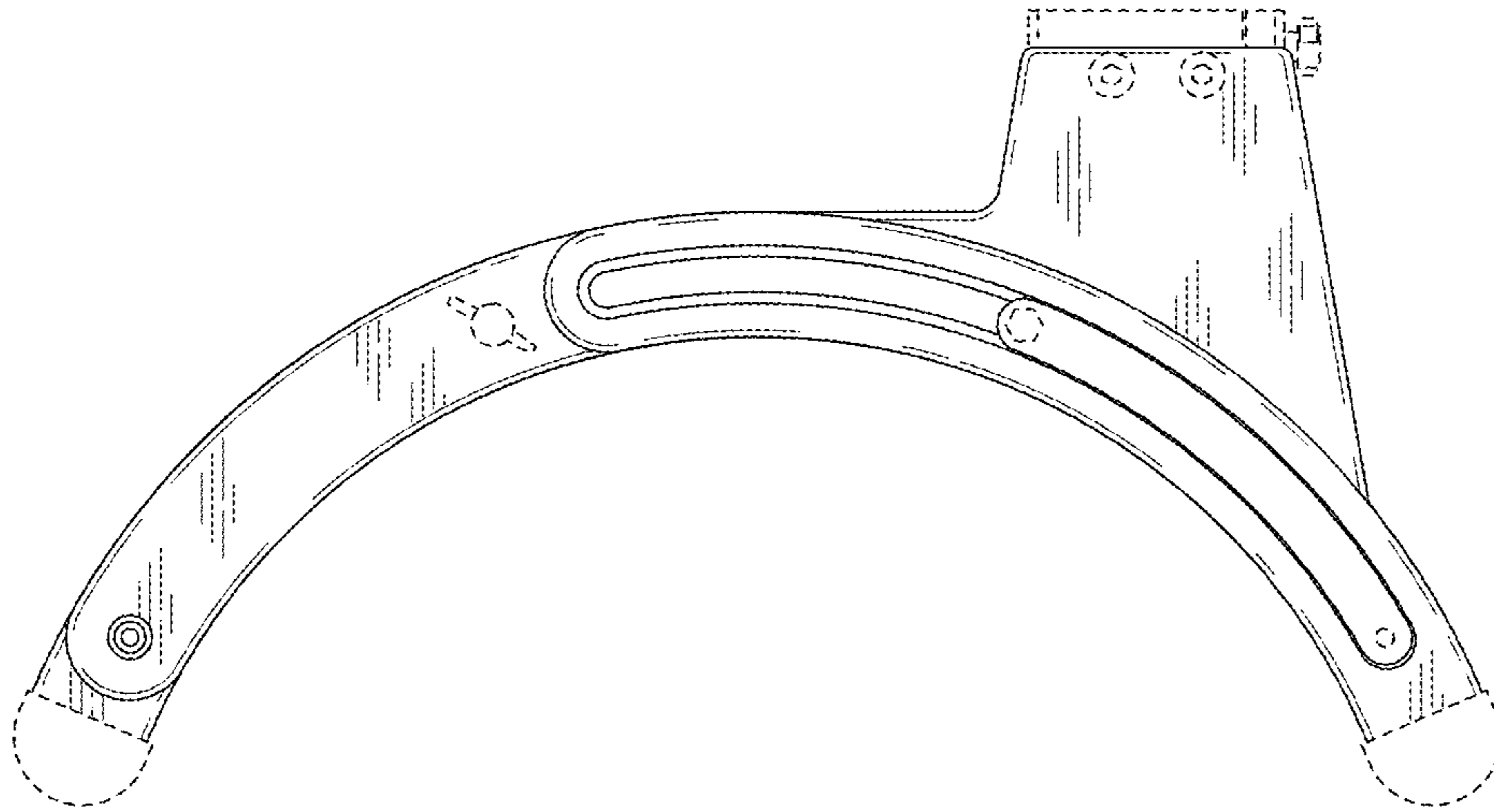
Fig. 2



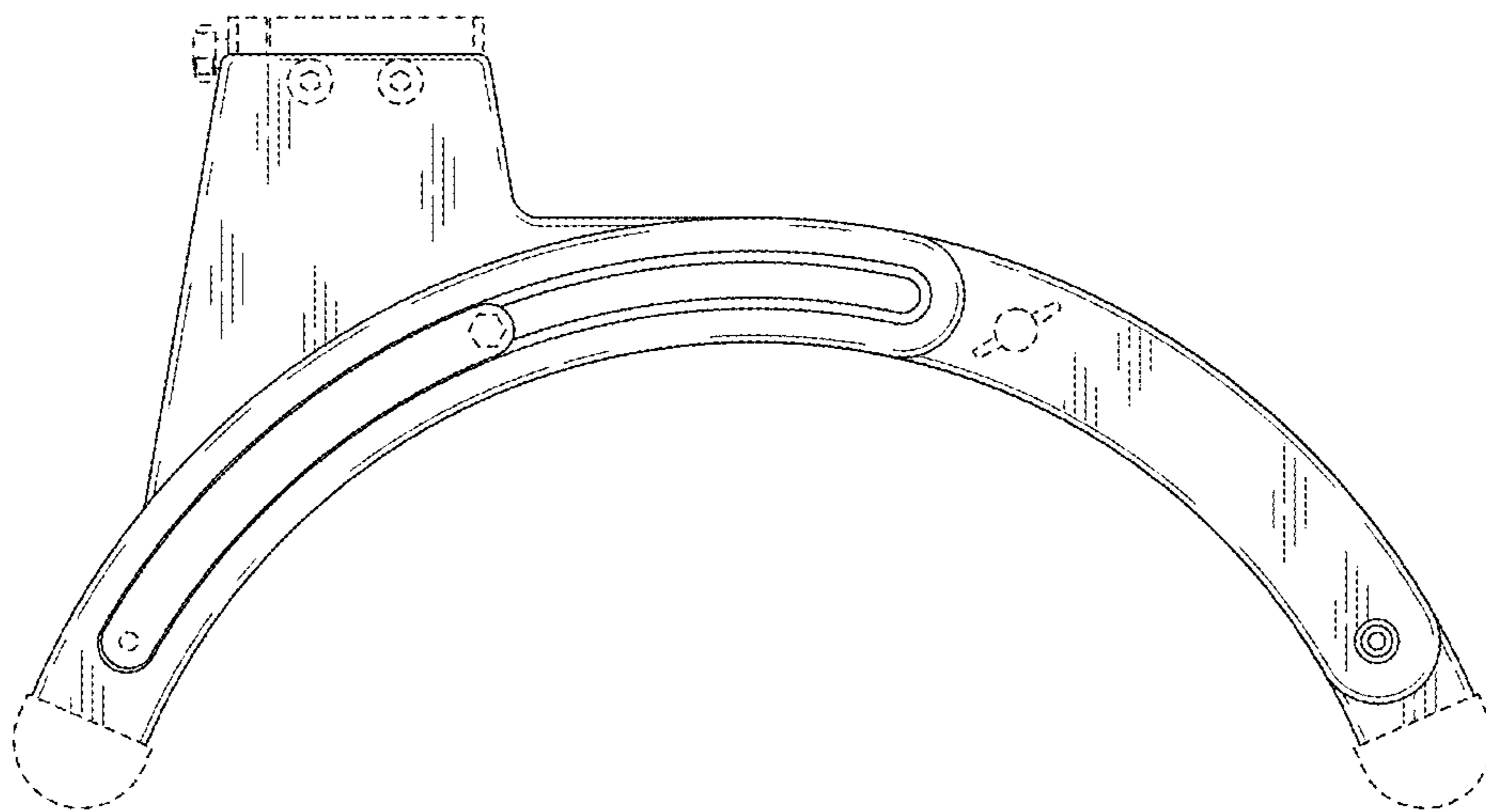
*Fig. 3*



*Fig. 4*



*Fig. 5*



*Fig. 6*

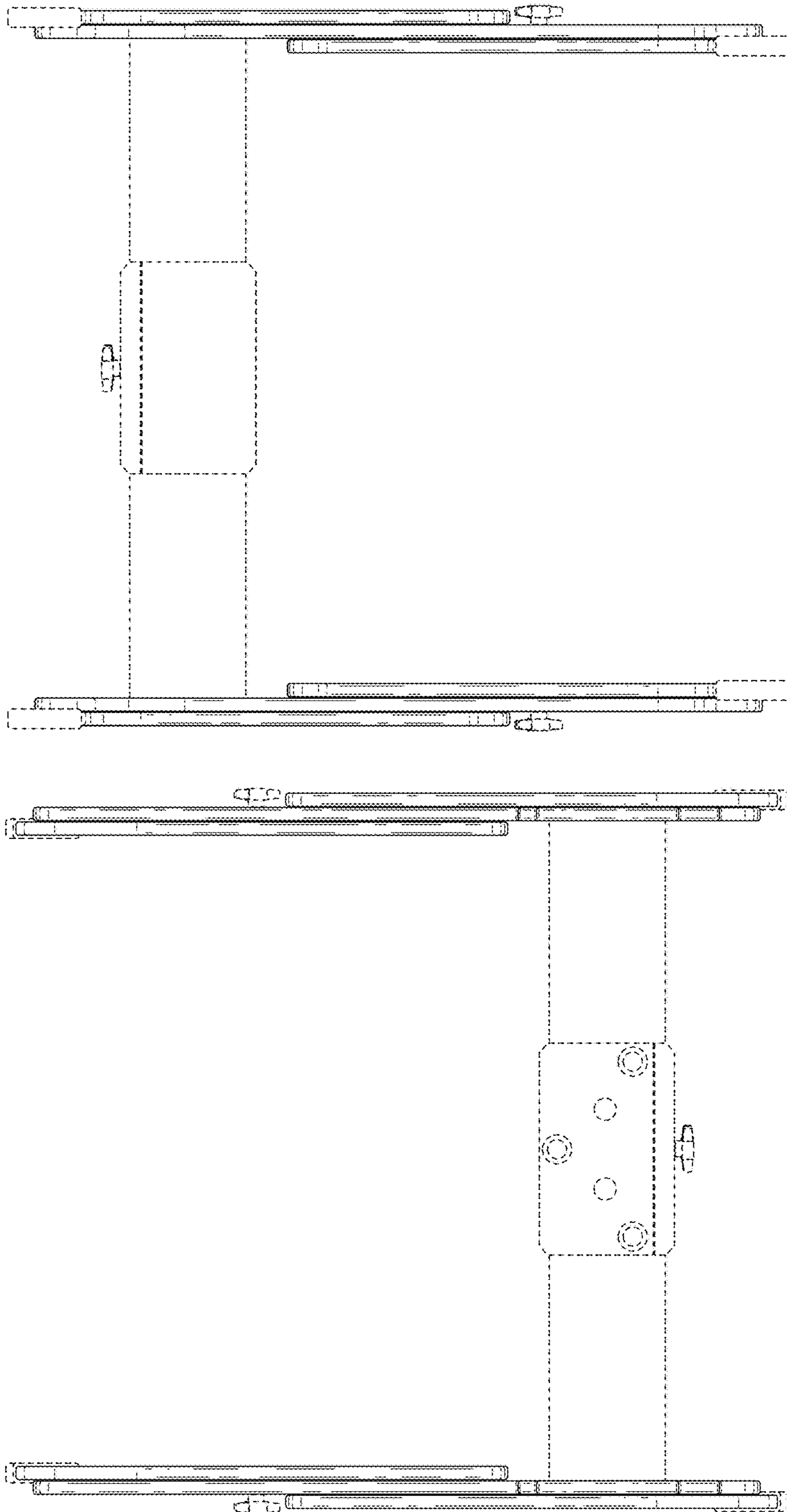


Fig. 8

Fig. 7

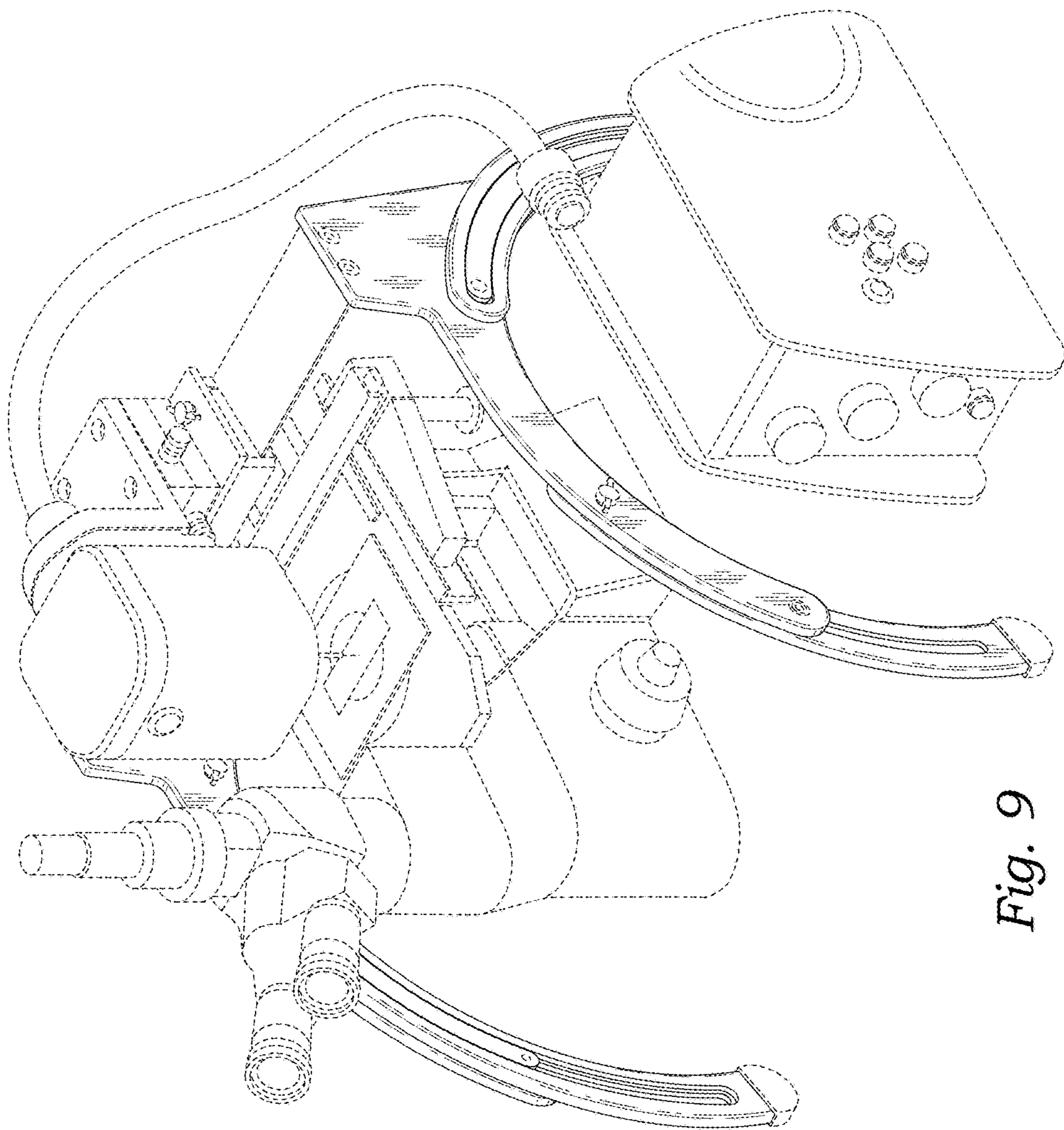
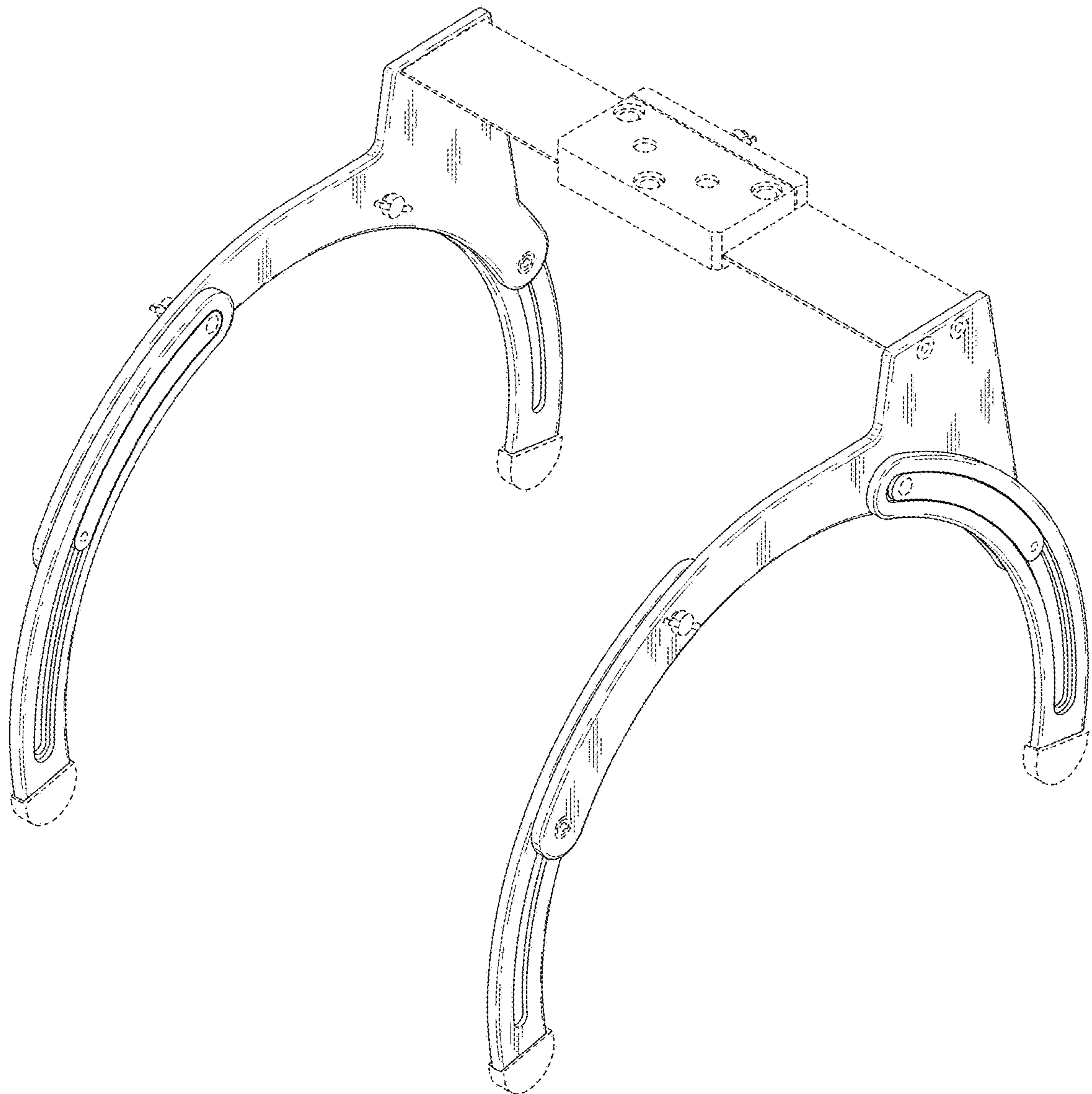
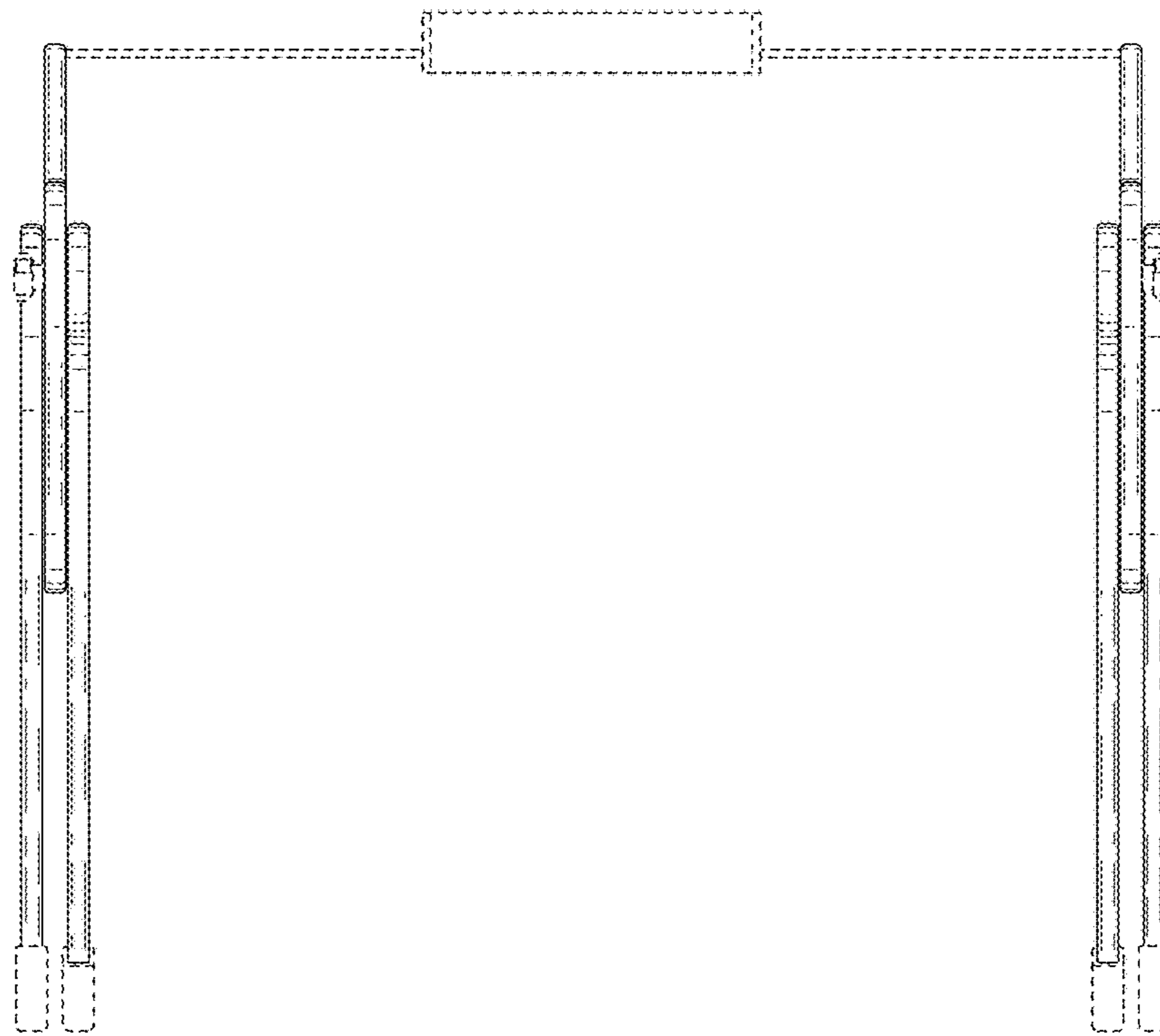


Fig. 9

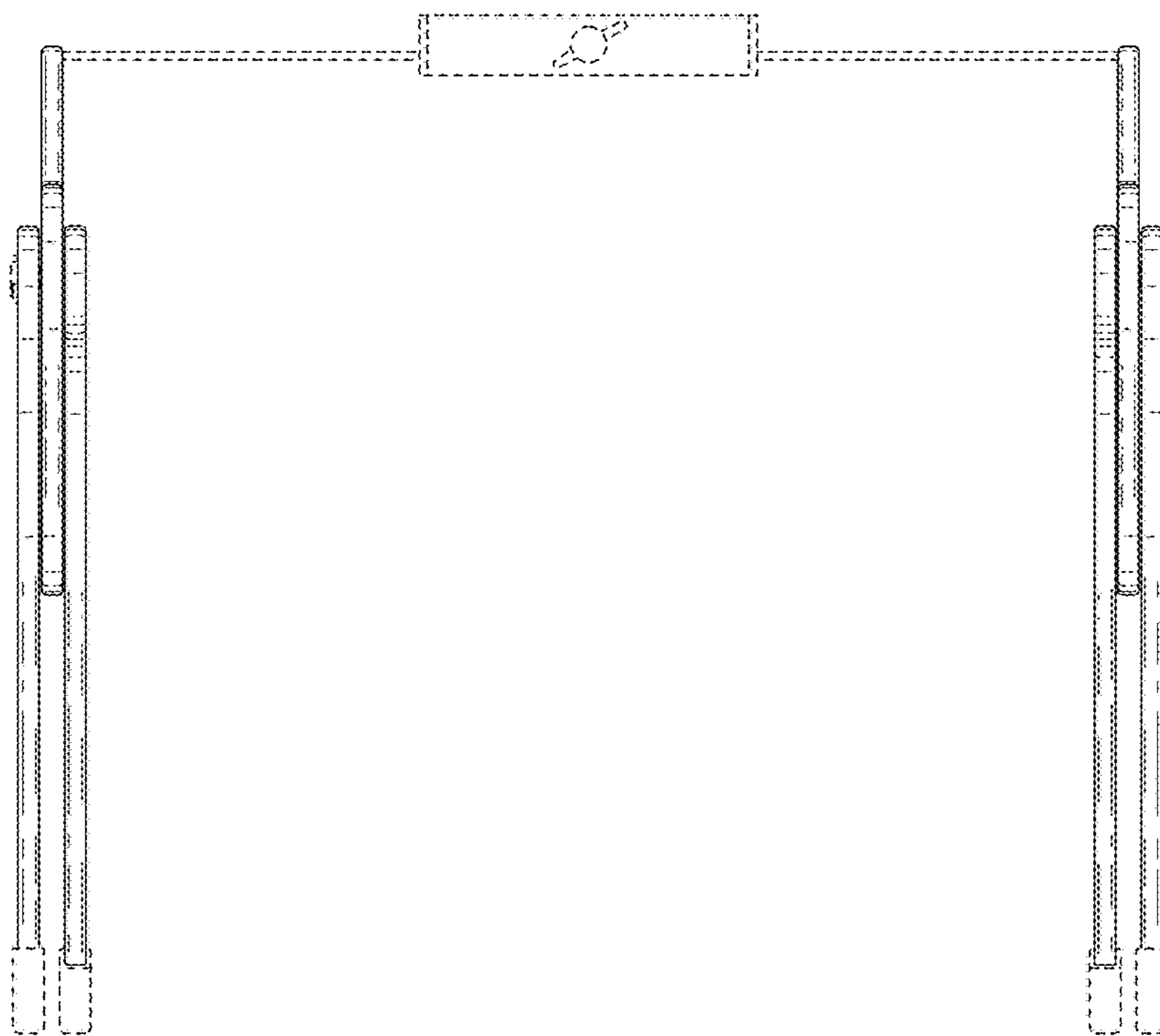




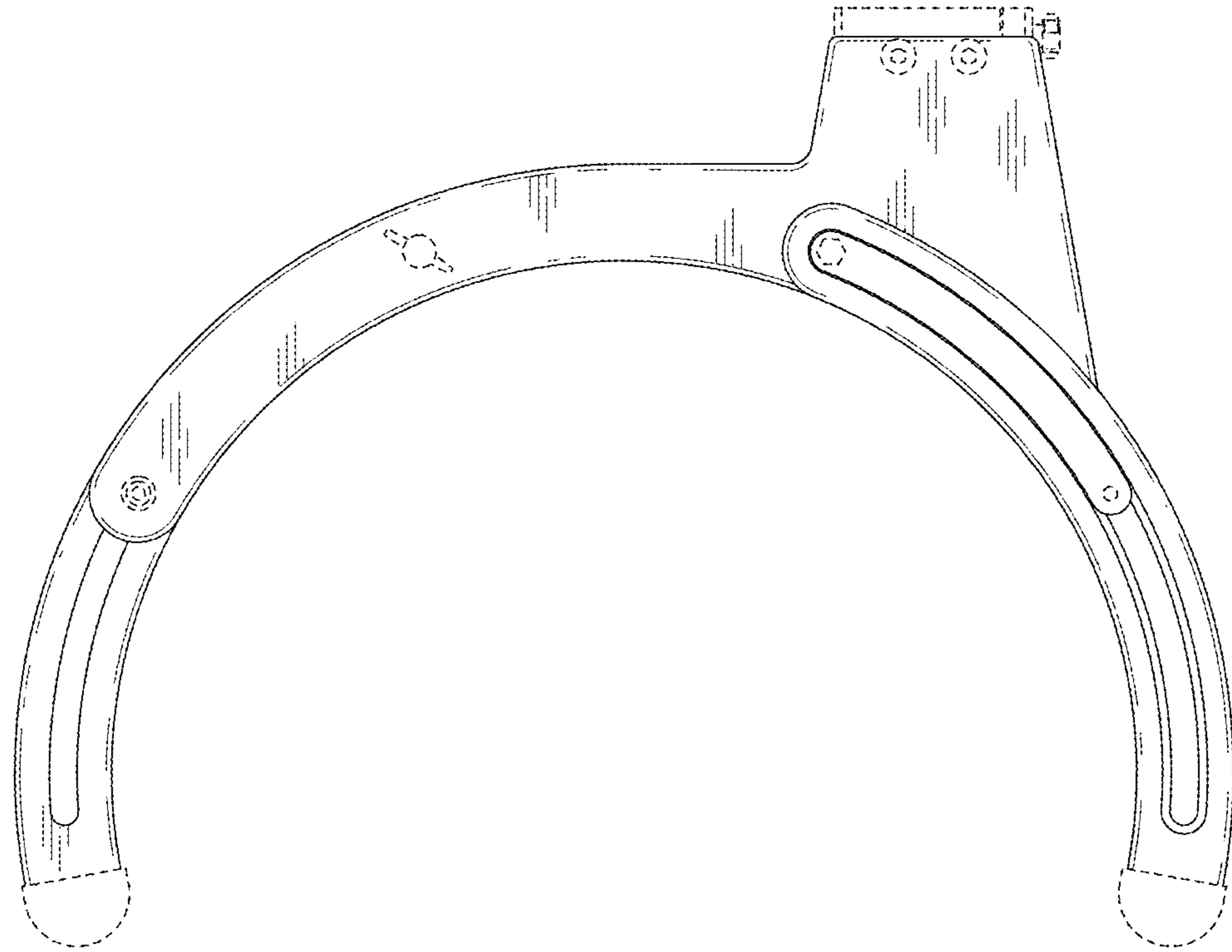
*Fig. 10*



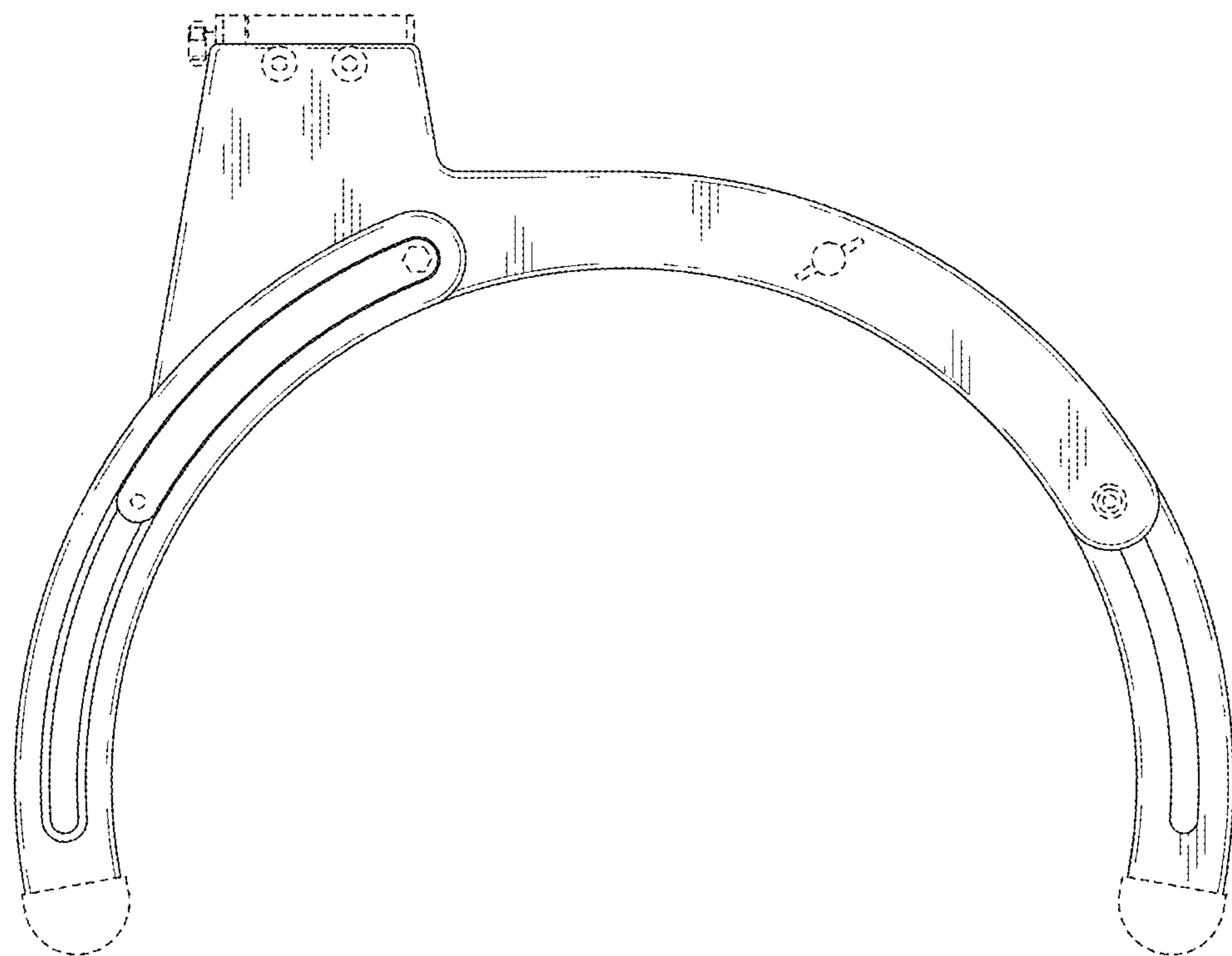
*Fig. 11*



*Fig. 12*



*Fig. 13*



*Fig. 14*

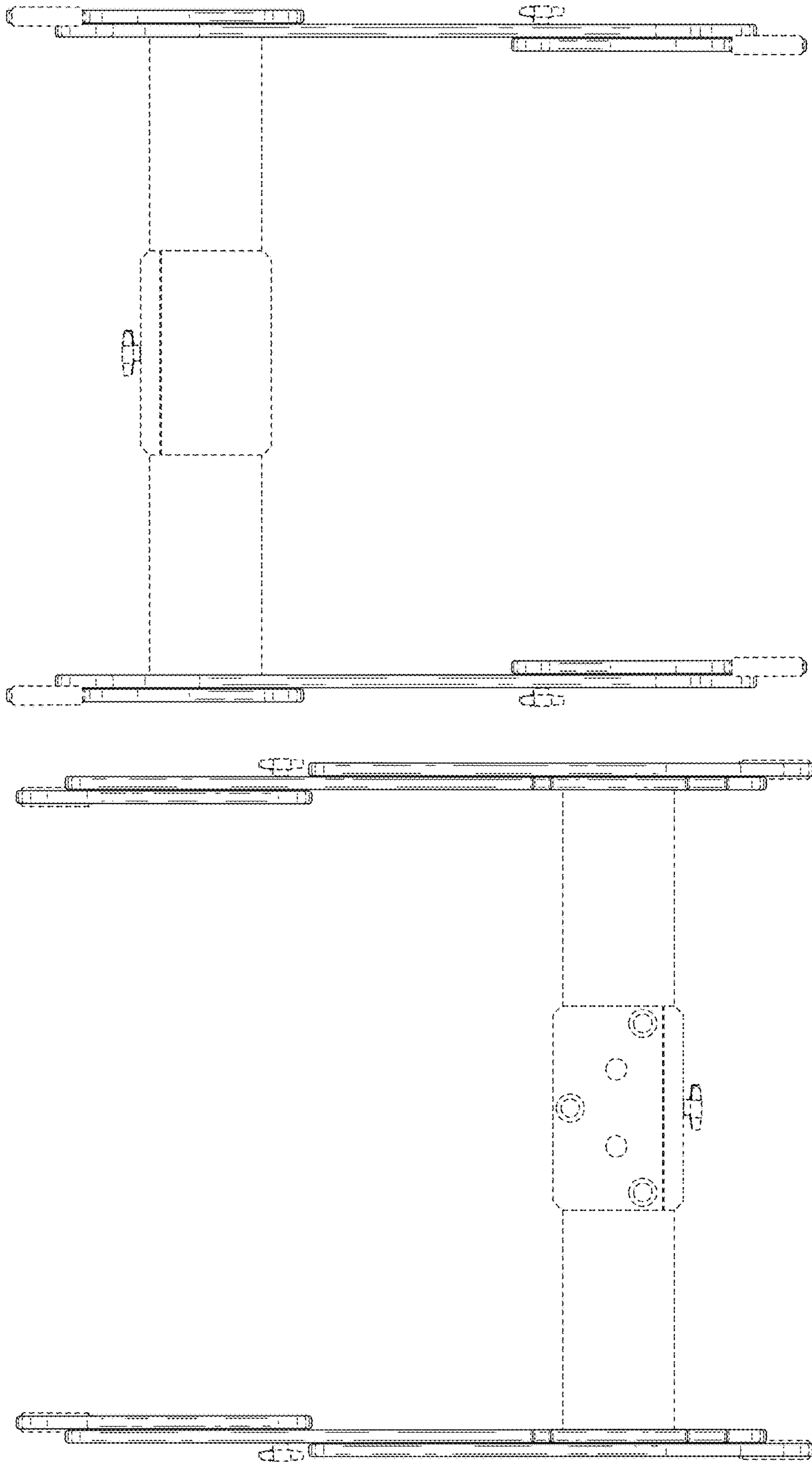


Fig. 16

Fig. 15