



US00D782553S

(12) **United States Design Patent**  
**Goto et al.**

(10) **Patent No.:** **US D782,553 S**

(45) **Date of Patent:** **\*\* Mar. 28, 2017**

(54) **INDUSTRIAL ROBOT**

(71) Applicant: **SEIKO EPSON CORPORATION,**  
Tokyo (JP)

(72) Inventors: **Yoshinobu Goto,** Azumino (JP);  
**Hidekatsu Miyasaka,** Matsumoto (JP);  
**Kazuto Yoshimura,** Matsumoto (JP);  
**Daisuke Komatsu,** Suwa (JP); **Takeshi**  
**Ishikawa,** Azumino (JP)

(73) Assignee: **SEIKO EPSON CORPORATION,**  
Tokyo (JP)

(\*\*) Term: **15 Years**

(21) Appl. No.: **29/562,678**

(22) Filed: **Apr. 28, 2016**

(30) **Foreign Application Priority Data**

Oct. 30, 2015 (JP) ..... 2015-024205

(51) **LOC (10) Cl.** ..... **15-99**

(52) **U.S. Cl.**  
USPC ..... **D15/199**

(58) **Field of Classification Search**  
USPC ..... D15/199; D21/578-583, 621, 622  
CPC ..... B25J 9/044; B25J 9/102; Y10T 74/20305  
See application file for complete search history.

(56) **References Cited**

**U.S. PATENT DOCUMENTS**

D279,572 S	*	7/1985	Yasuoka	.....	D15/122
D287,368 S	*	12/1986	Shibayama	.....	D15/122
D344,279 S	*	2/1994	Koyama	.....	D15/199
D440,241 S	*	4/2001	Kawahara	.....	D15/199
D443,287 S	*	6/2001	Kawahara	.....	D15/199
D613,781 S	*	4/2010	Liu	.....	D15/199

D616,477 S	*	5/2010	Long	.....	D15/199
D624,104 S	*	9/2010	Miyake	.....	15/99
D625,347 S	*	10/2010	Feng	.....	D15/199
D638,043 S	*	5/2011	Tsuchiya	.....	D15/199
D638,044 S	*	5/2011	Ikoma	.....	D15/199
D638,455 S	*	5/2011	Long	.....	D15/199
D650,820 S	*	12/2011	Long	.....	D15/199
D651,627 S	*	1/2012	Long	.....	D15/199
D670,319 S	*	11/2012	Liu	.....	D15/199
D677,294 S	*	3/2013	Long	.....	D15/199
D678,378 S	*	3/2013	Selic	.....	D15/199
D681,708 S	*	5/2013	Miyake	.....	D15/199
D690,753 S	*	10/2013	Liu	.....	D15/199
D692,041 S	*	10/2013	Selic	.....	D15/199
D711,061 S	*	8/2014	Chen	.....	D34/29
D713,436 S	*	9/2014	Liu	.....	D15/199
D716,357 S	*	10/2014	Gombert	.....	D15/199
D757,144 S	*	5/2016	Parrot	.....	D15/199

(Continued)

*Primary Examiner* — Patricia Palasik

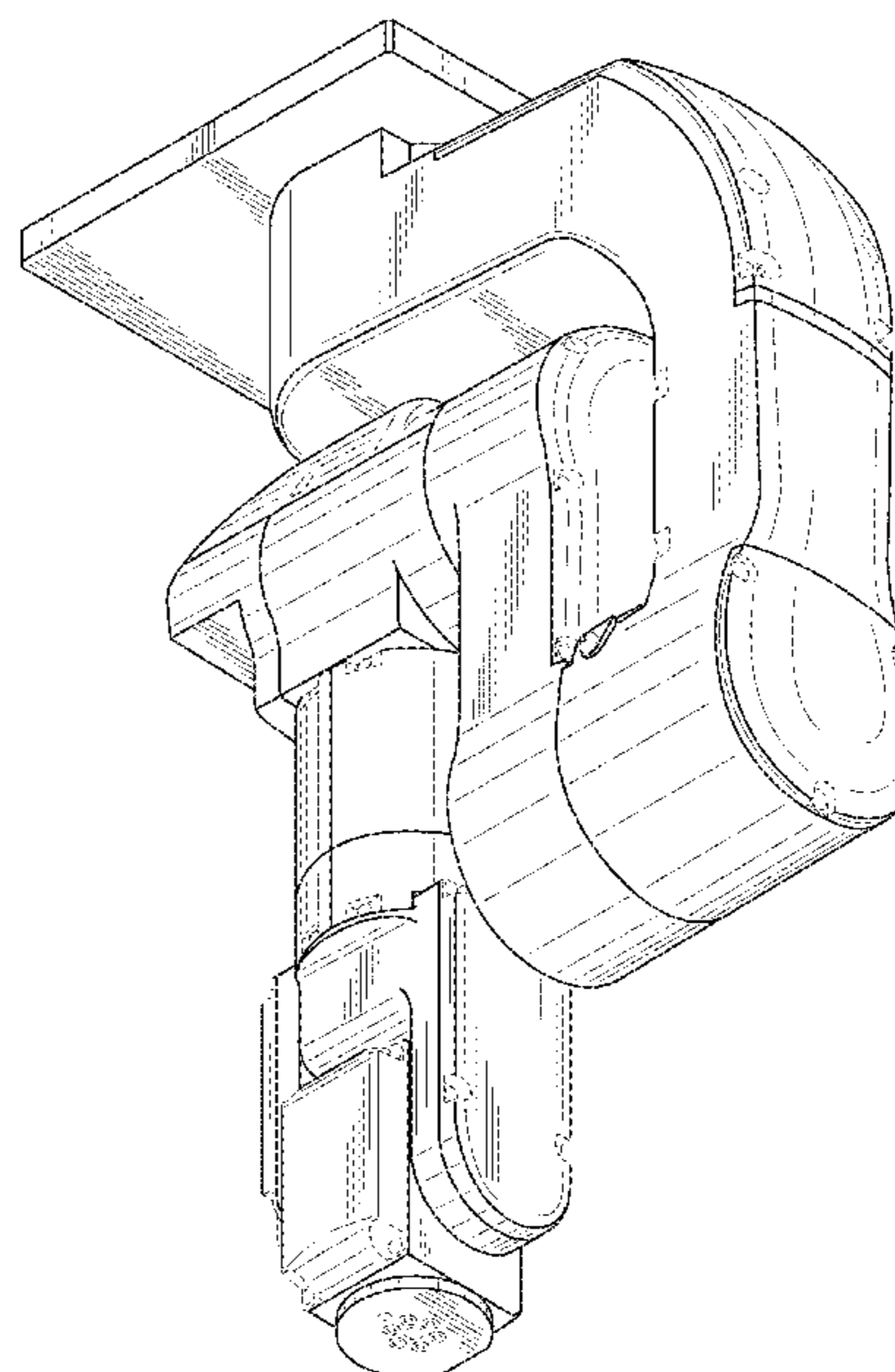
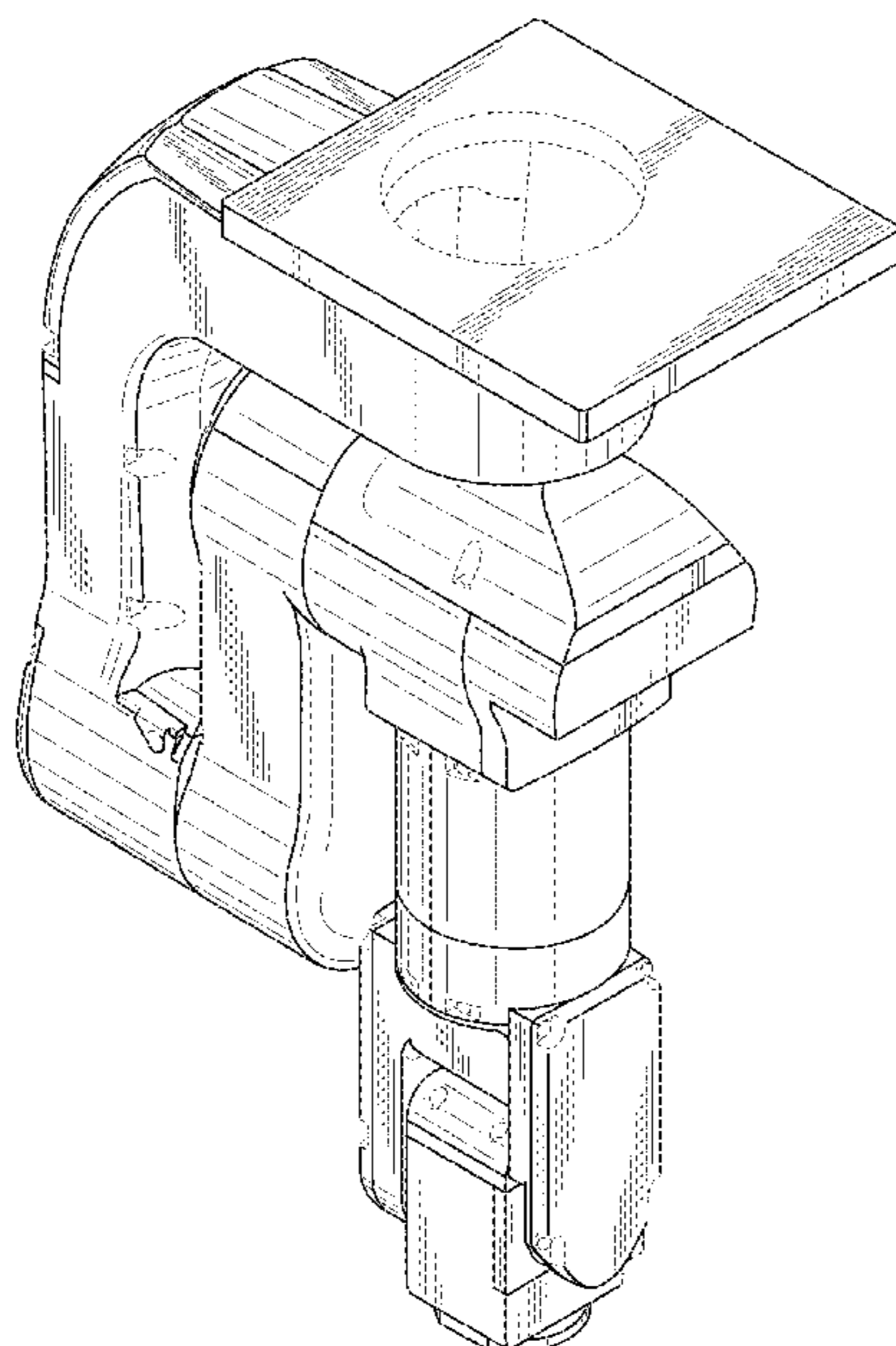
(57) **CLAIM**

The ornamental design for an industrial robot, as shown and described.

**DESCRIPTION**

FIG. 1 is a front, top, and right side perspective view of an industrial robot showing our new design;  
FIG. 2 is a rear, bottom, and left side perspective view thereof;  
FIG. 3 is a front view thereof;  
FIG. 4 is a rear view thereof;  
FIG. 5 is a top plan view thereof;  
FIG. 6 is a bottom plan view thereof;  
FIG. 7 is a right side view thereof; and,  
FIG. 8 is a left side view thereof.  
The broken lines in the drawings depict unclaimed environmental subject matter.

**1 Claim, 8 Drawing Sheets**



(56)

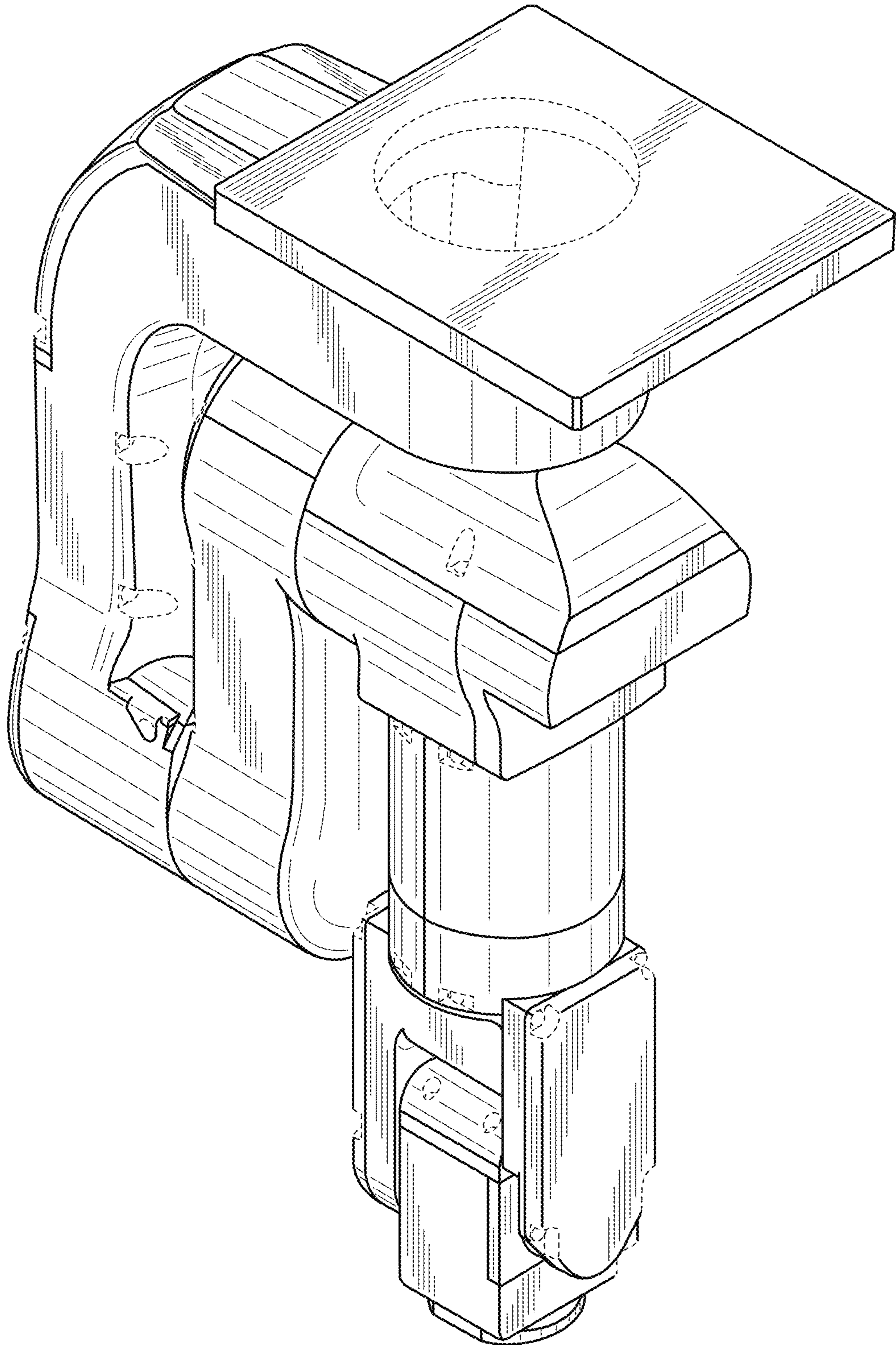
**References Cited**

U.S. PATENT DOCUMENTS

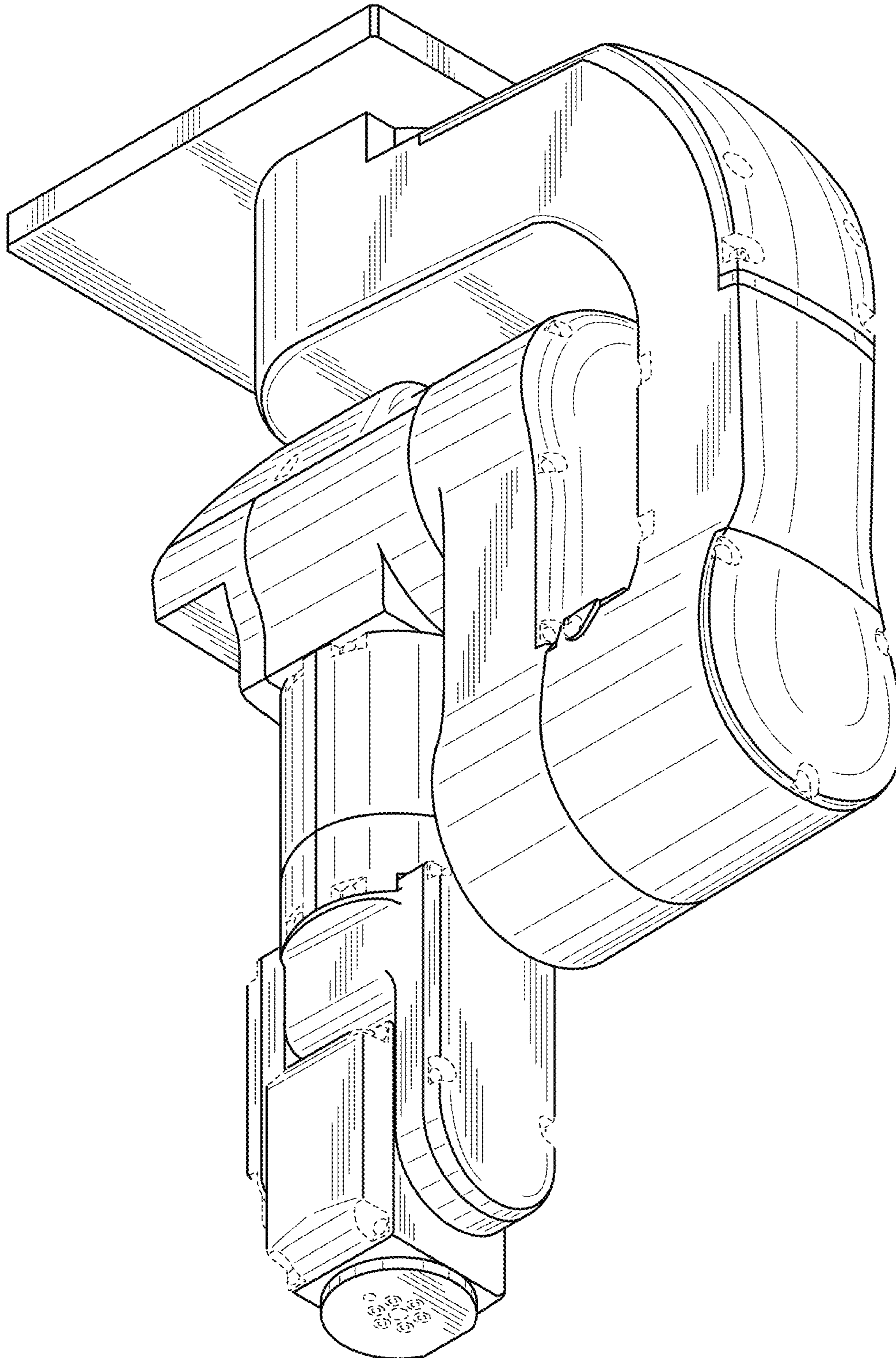
D761,339	S *	7/2016	White, Jr. ....	D15/199
D766,348	S *	9/2016	Long .....	D15/199
D768,220	S *	10/2016	Kinoshita .....	D15/199
D769,343	S *	10/2016	Bordegnoni .....	D15/199
2005/0204850	A1 *	9/2005	Nihei .....	B25J 9/102
				74/490.01
2008/0271561	A1 *	11/2008	Ohara .....	B23K 9/133
				74/490.01
2009/0050411	A1 *	2/2009	Ellqvist .....	B25J 9/102
				184/6.12
2010/0043587	A1 *	2/2010	Broberg .....	B25J 19/0016
				74/490.01
2011/0303042	A1 *	12/2011	Pan .....	B25J 9/0009
				74/490.05
2013/0060383	A1 *	3/2013	Jeong .....	B25J 9/045
				700/261
2013/0125691	A1 *	5/2013	Wappling .....	B25J 19/0062
				74/467
2013/0305866	A1 *	11/2013	Krumbacher .....	B25J 18/06
				74/490.03
2014/0102240	A1 *	4/2014	Inada .....	B25J 17/0283
				74/490.02
2015/0081098	A1 *	3/2015	Kogan .....	B25J 9/1656
				700/258
2015/0246449	A1 *	9/2015	Sakai .....	B25J 19/0025
				74/490.02
2016/0052128	A1 *	2/2016	Zimmermann .....	B25J 9/0081
				700/261
2016/0114480	A1 *	4/2016	Krumbacher .....	B25J 9/046
				74/490.03

\* cited by examiner

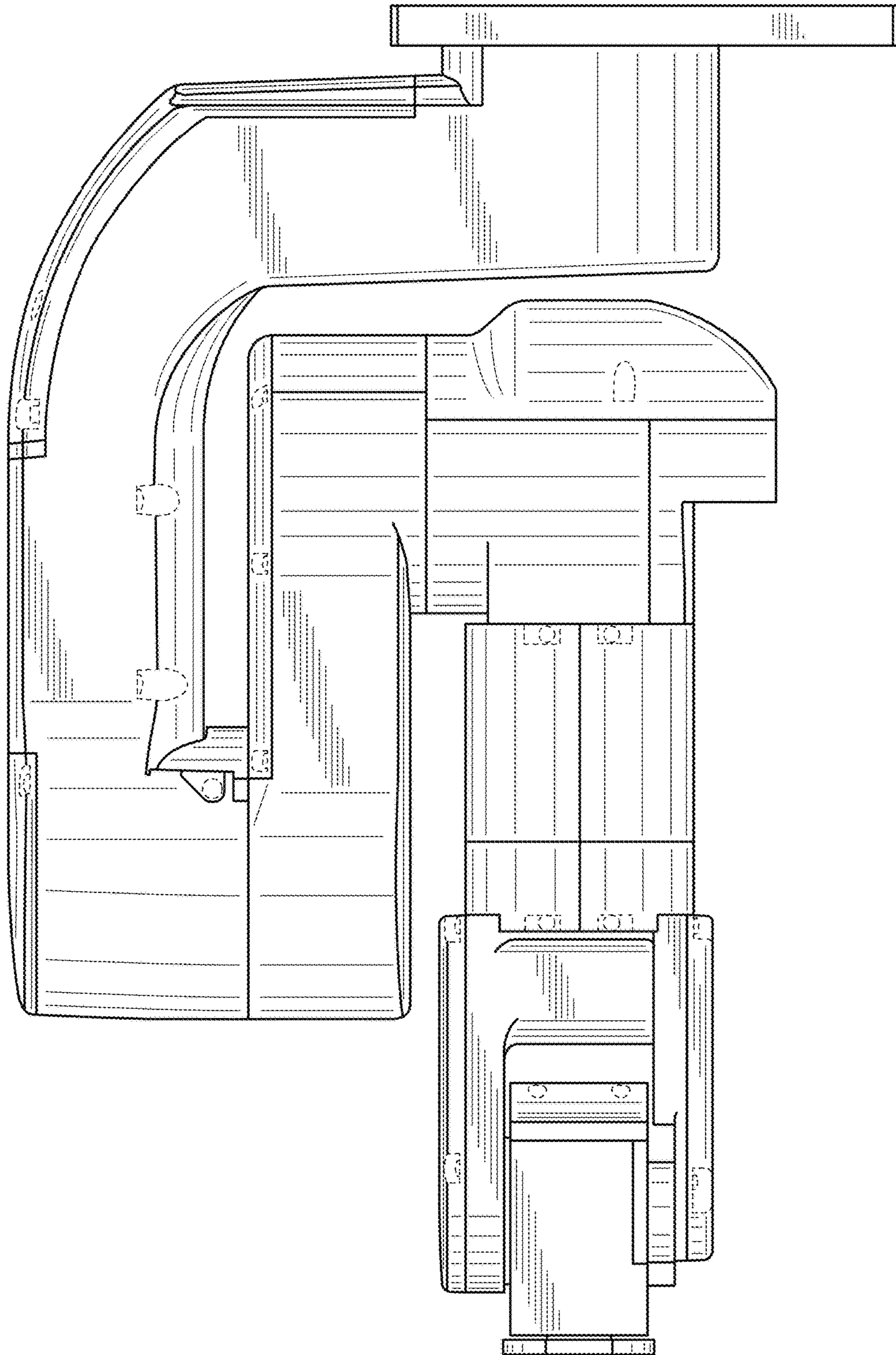
**FIG. 1**



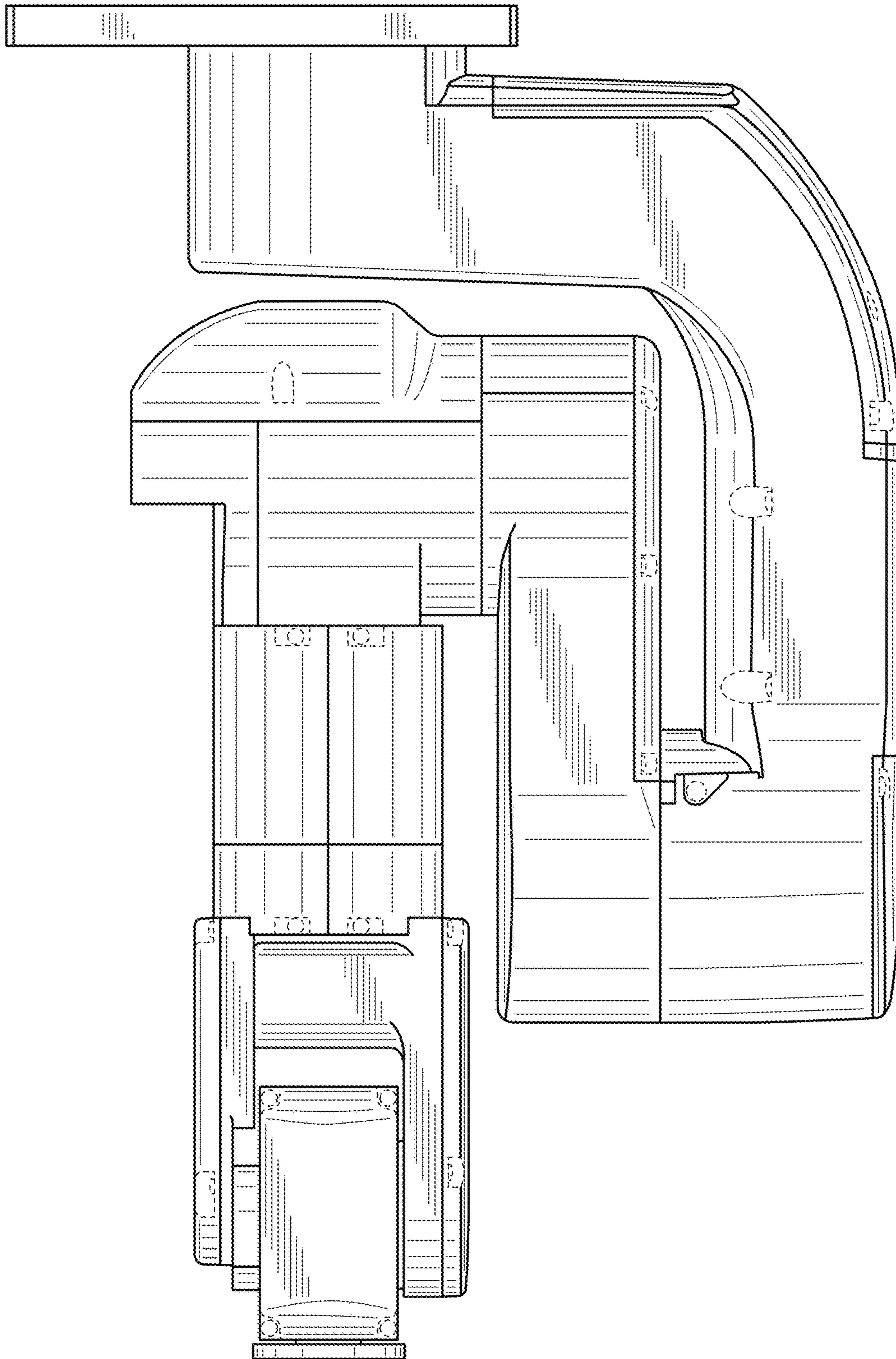
**FIG. 2**



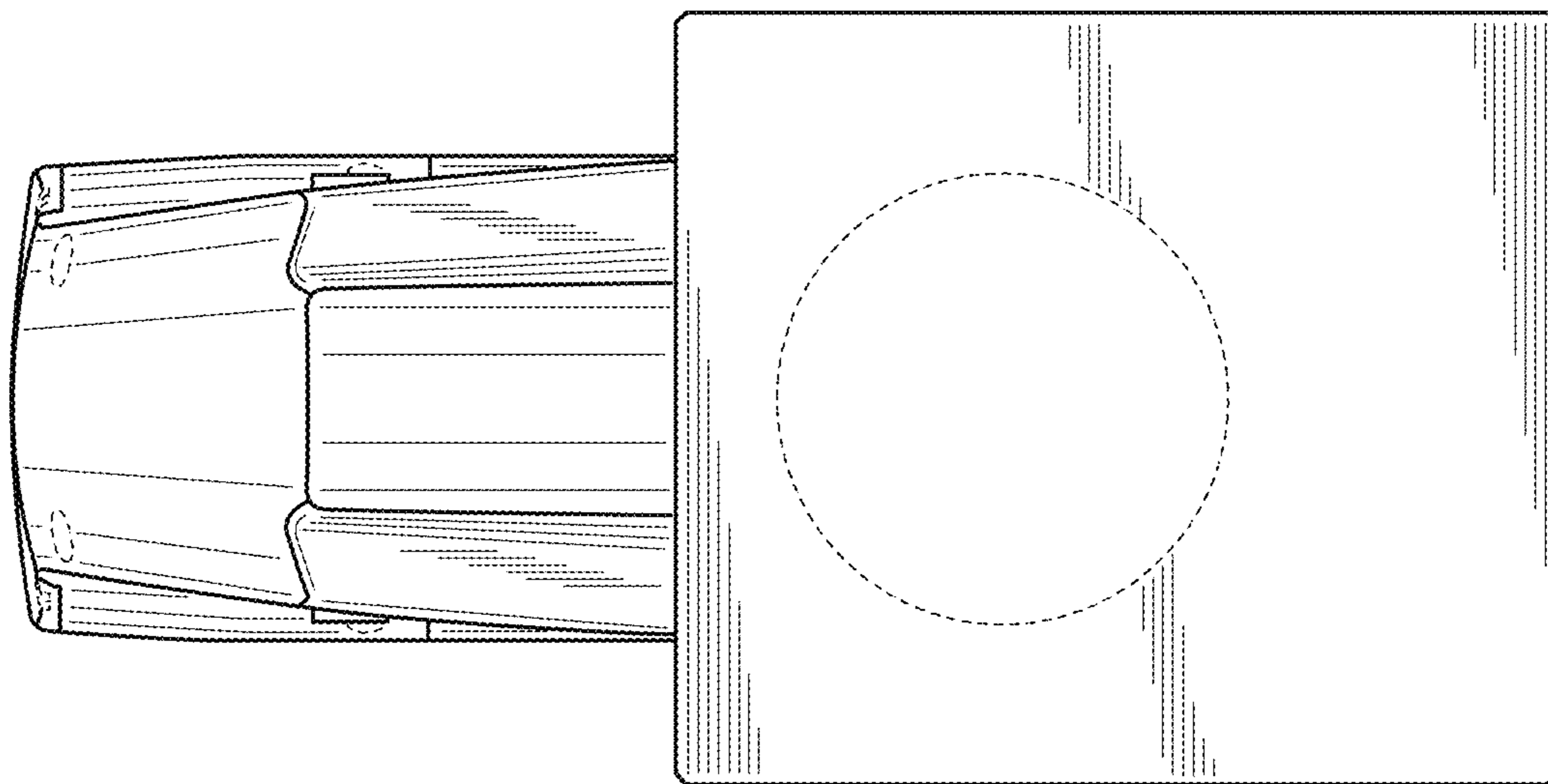
**FIG. 3**



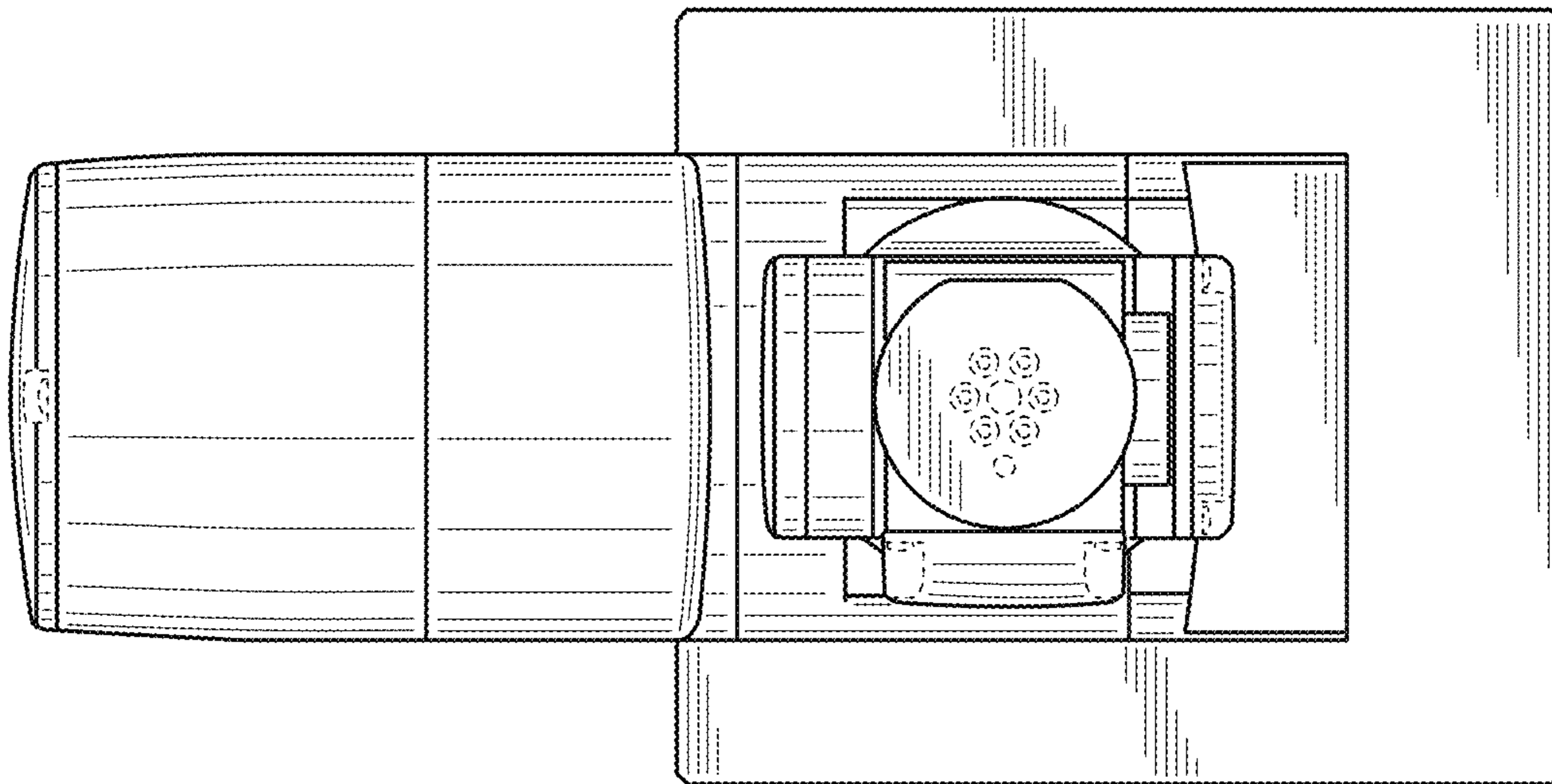
**FIG. 4**



**FIG. 5**

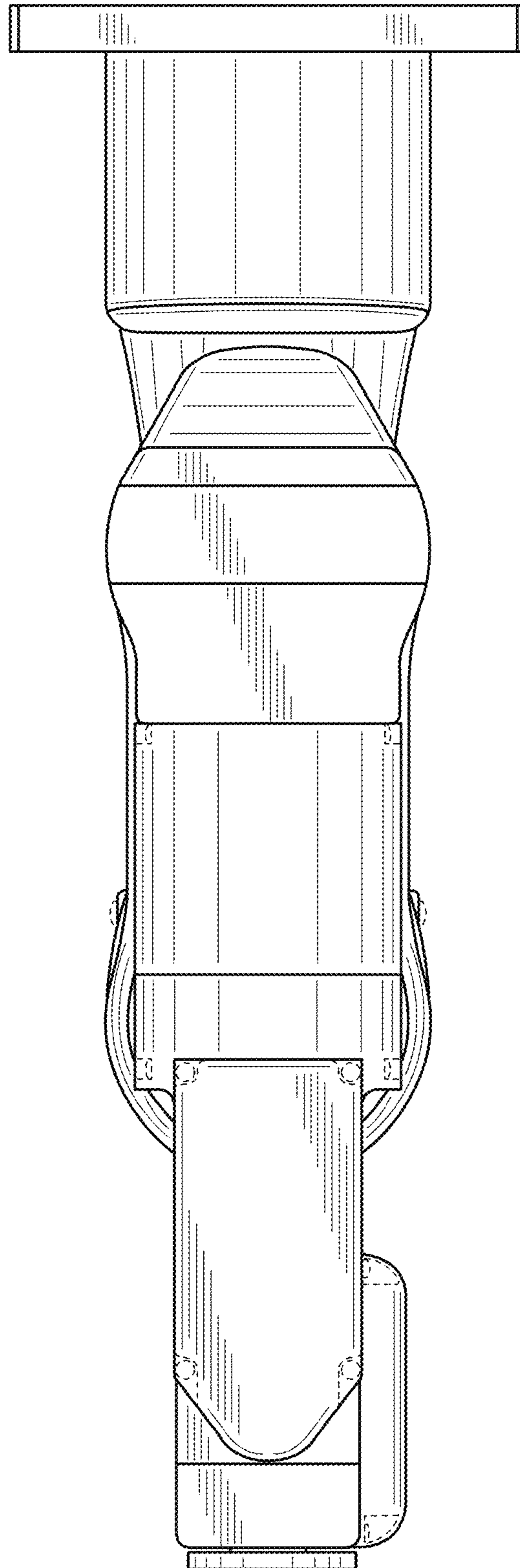


**FIG. 6**





**FIG. 7**



**FIG. 8**

