



US00D782552S

(12) **United States Design Patent**
Casadio et al.

(10) **Patent No.:** **US D782,552 S**
(45) **Date of Patent:** **** Mar. 28, 2017**

- (54) **POOL SKIMMER**
- (71) Applicant: **Aquarius Partners, LLC**, Sarasota, FL (US)
- (72) Inventors: **Nicolas J. Casadio**, Sarasota, FL (US);
Tommaso Previtera, Sarasota, FL (US)
- (73) Assignee: **Aquarius Partners, LLC**, Sarasota, FL (US)
- (**) Term: **15 Years**
- (21) Appl. No.: **29/537,978**
- (22) Filed: **Aug. 31, 2015**
- (51) **LOC (10) Cl.** **15-99**
- (52) **U.S. Cl.**
USPC **D15/199; D23/209**
- (58) **Field of Classification Search**
USPC **D15/199; D23/209, 210; D32/18, 21, 25, D32/32**
CPC **A63H 23/04; A63H 30/04; E04H 4/1254; E04H 4/1263; E04H 4/1272; E04H 4/1654**
See application file for complete search history.

- 5,435,031 A * 7/1995 Minami E04H 4/1654 15/1.7
- D377,249 S * 1/1997 Granshaw D23/210
- 7,101,475 B1 * 9/2006 Maaske E04H 4/1263 210/106
- D598,168 S * 8/2009 Sumonthee D32/21
- D630,809 S * 1/2011 Dye D32/21
- D671,192 S * 11/2012 Mailhot D23/209
- 8,307,485 B2 * 11/2012 Sumonthee E04H 4/1654 15/1.7
- 8,341,789 B2 * 1/2013 Garti E04H 4/1654 15/1.7
- 8,424,142 B2 * 4/2013 Garti E04H 4/1654 15/1.7
- 8,505,143 B2 * 8/2013 Finezilber E04H 4/1654 15/1.7
- 8,869,337 B2 * 10/2014 Sumonthee E04H 4/1654 15/1.7
- 9,399,877 B2 * 7/2016 Erlich E04H 4/1654
- D770,848 S * 11/2016 Wilson D23/209

(Continued)

Primary Examiner — Patricia Palasik
(74) *Attorney, Agent, or Firm* — Shumaker, Loop & Kendrick, LLP

(57) **CLAIM**

The ornamental design for a pool skimmer, as shown and described.

DESCRIPTION

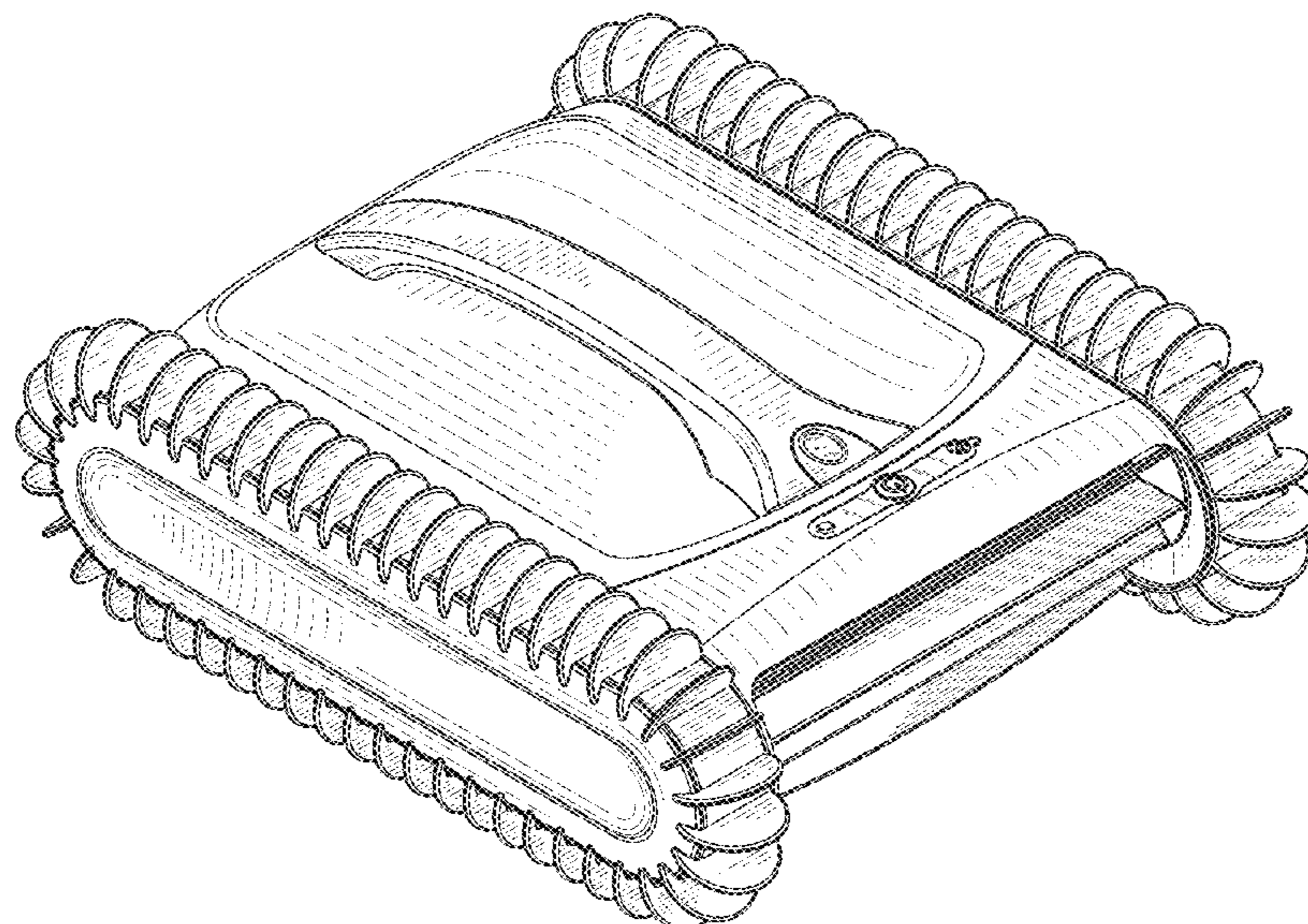
FIG. 1 is a top perspective view of the new design for a pool skimmer;
FIG. 2 is a bottom perspective view thereof;
FIG. 3 is a top view thereof;
FIG. 4 is a bottom view thereof;
FIG. 5 is a front view thereof;
FIG. 6 is a back view thereof; and,
FIG. 7 is a right side view thereof, the left side being a mirror image of the right side.

1 Claim, 6 Drawing Sheets

(56) **References Cited**

U.S. PATENT DOCUMENTS

- 3,567,020 A * 3/1971 Whitaker E04H 4/1272 210/121
- D259,739 S * 6/1981 Johnson D25/2
- 4,746,424 A * 5/1988 Drew E04H 4/1263 134/167 R
- 4,820,411 A * 4/1989 Lempio E04H 4/1263 134/167 R
- 4,900,432 A * 2/1990 Arnold E04H 4/1263 15/1.7
- D314,456 S * 2/1991 Baitz D32/25
- 5,106,492 A * 4/1992 Distinti E04H 4/1263 15/1.7



(56)

References Cited

U.S. PATENT DOCUMENTS

2006/0060513 A1* 3/2006 Craig E04H 4/1263
210/167.2
2007/0028405 A1* 2/2007 Garti E04H 4/1654
15/1.7
2010/0306931 A1* 12/2010 Garti E04H 4/1654
15/1.7
2011/0000036 A1* 1/2011 Pichon E04H 4/1654
15/1.7
2012/0102665 A1* 5/2012 Hui E04H 4/1654
15/1.7
2015/0067974 A1* 3/2015 Ben Dov E04H 4/1663
15/1.7
2015/0121636 A1* 5/2015 Hui E04H 4/1654
15/1.7
2015/0218836 A1* 8/2015 Greenfield E04H 4/1609
210/470
2015/0247332 A1* 9/2015 Norberto, III E04H 4/1272
210/167.2
2015/0375812 A1* 12/2015 Bernini E04H 4/1654
180/9.1
2016/0024810 A1* 1/2016 Bair E04H 4/1609
210/242.1

* cited by examiner

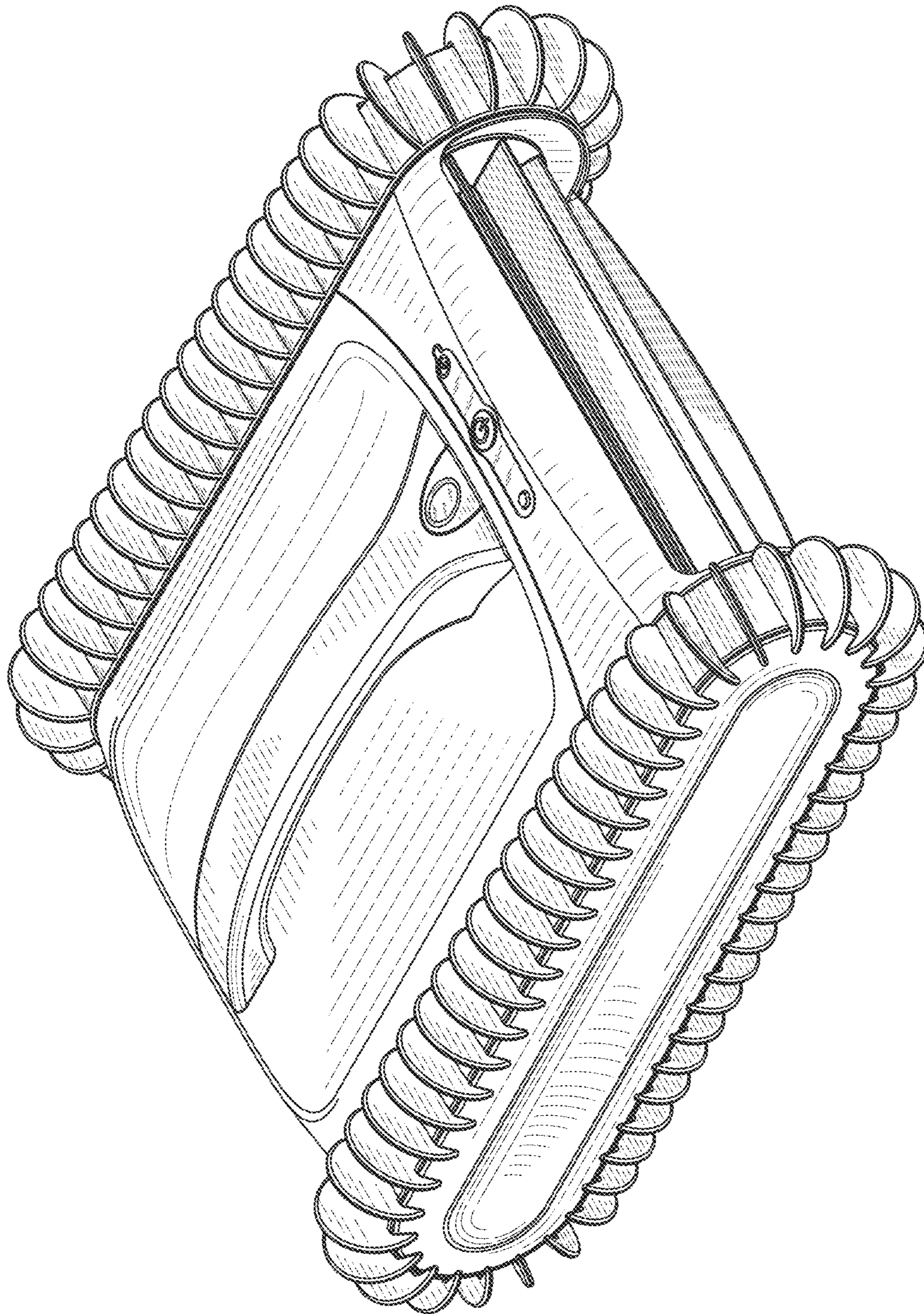


FIG. 1

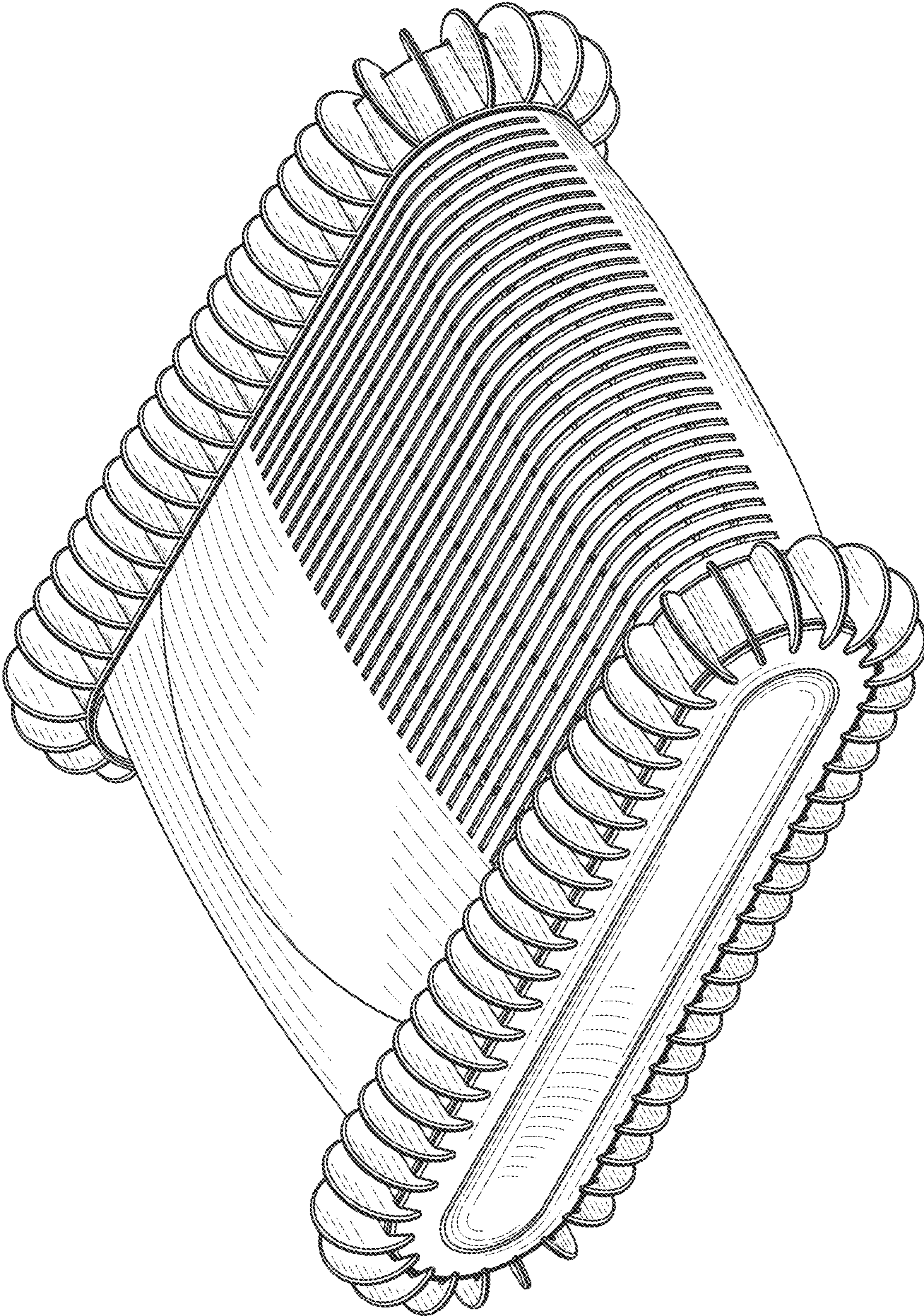


FIG. 2

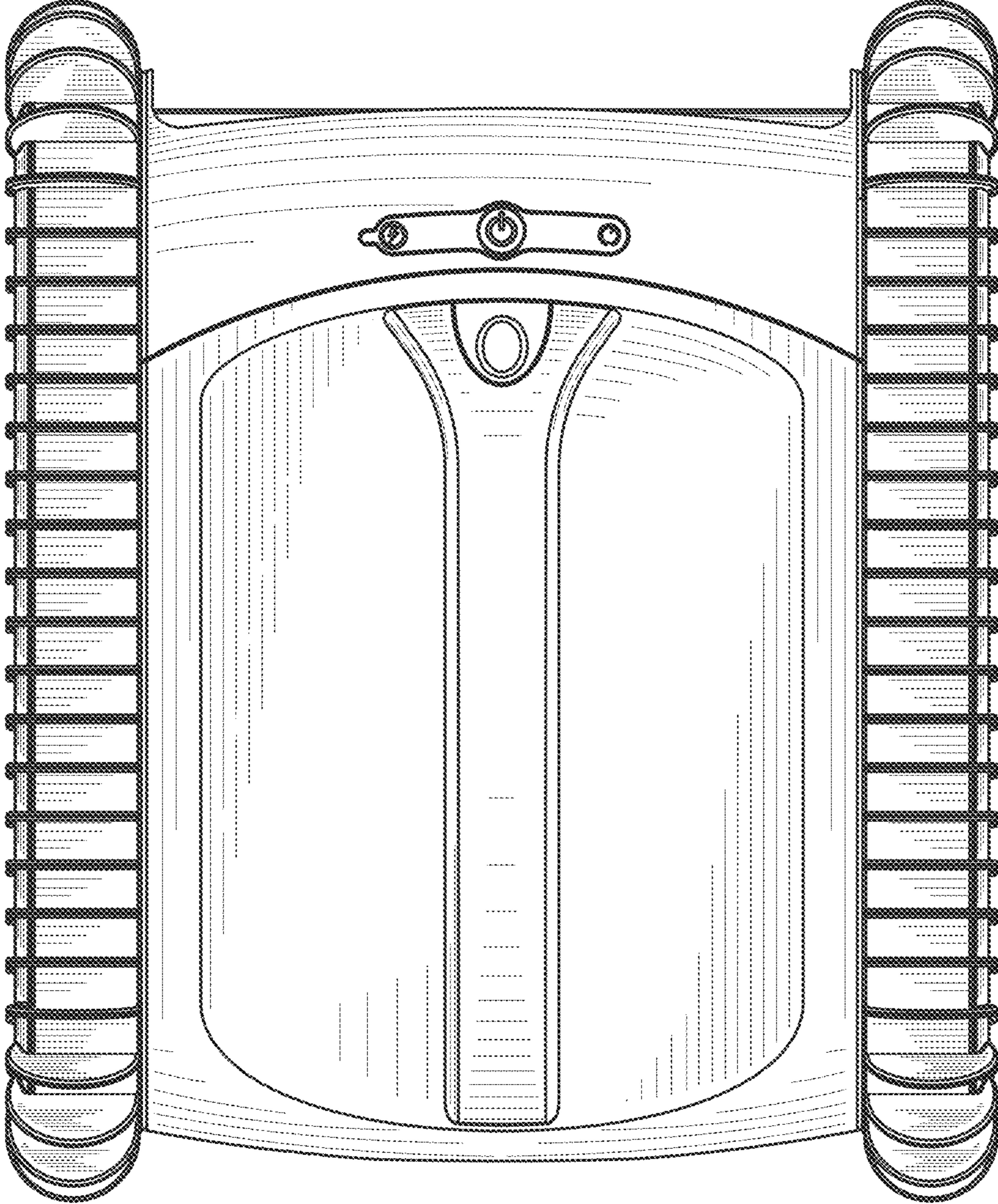


FIG. 3

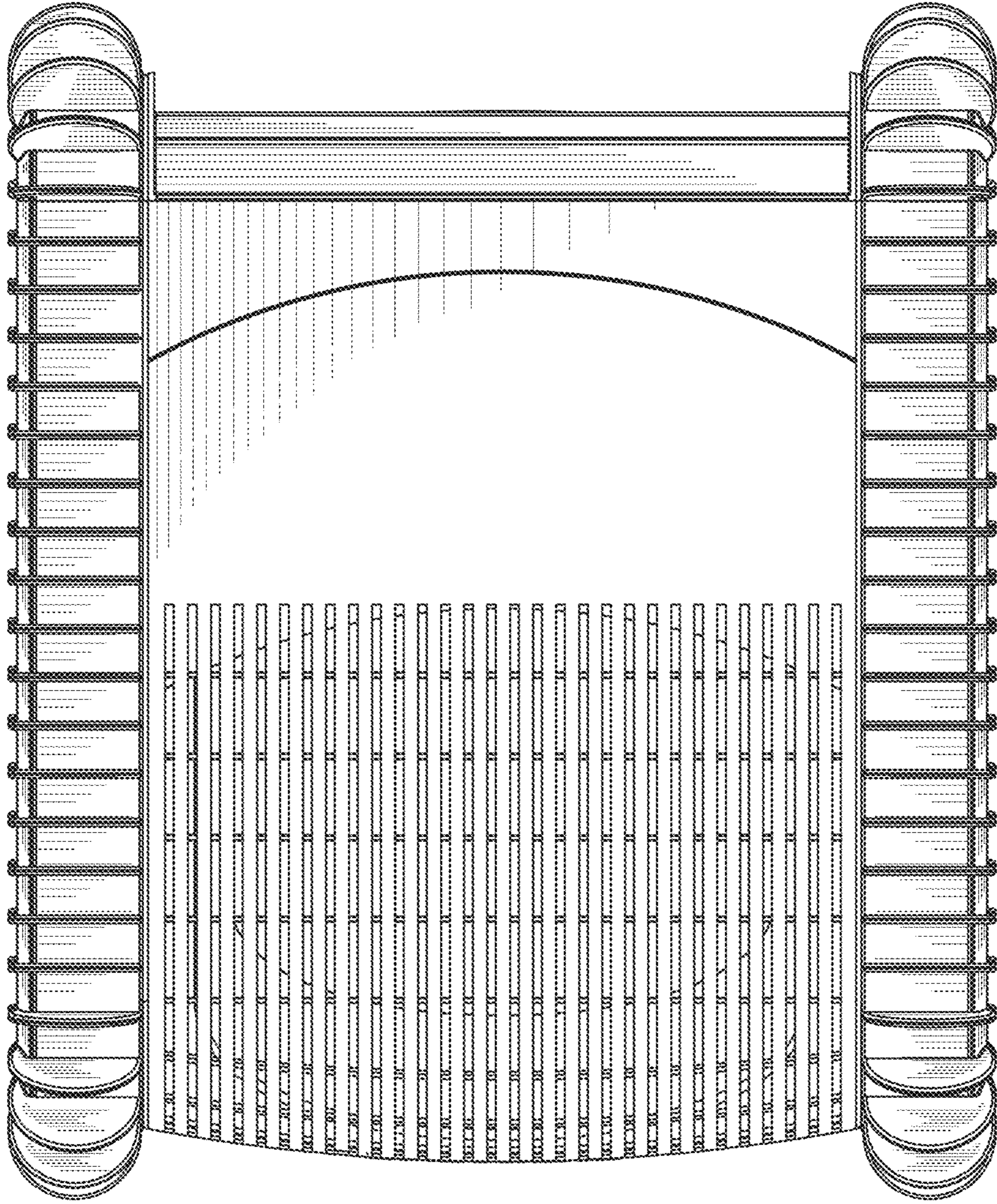


FIG. 4

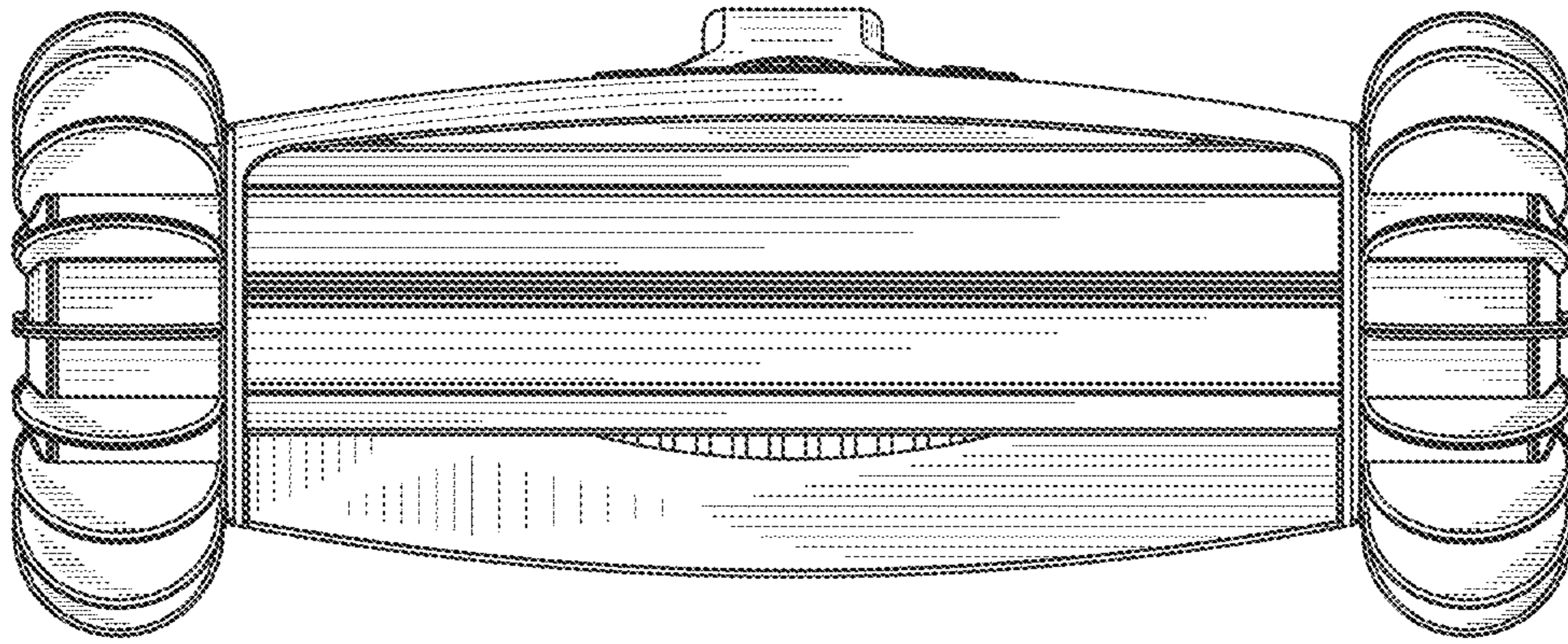


FIG. 5

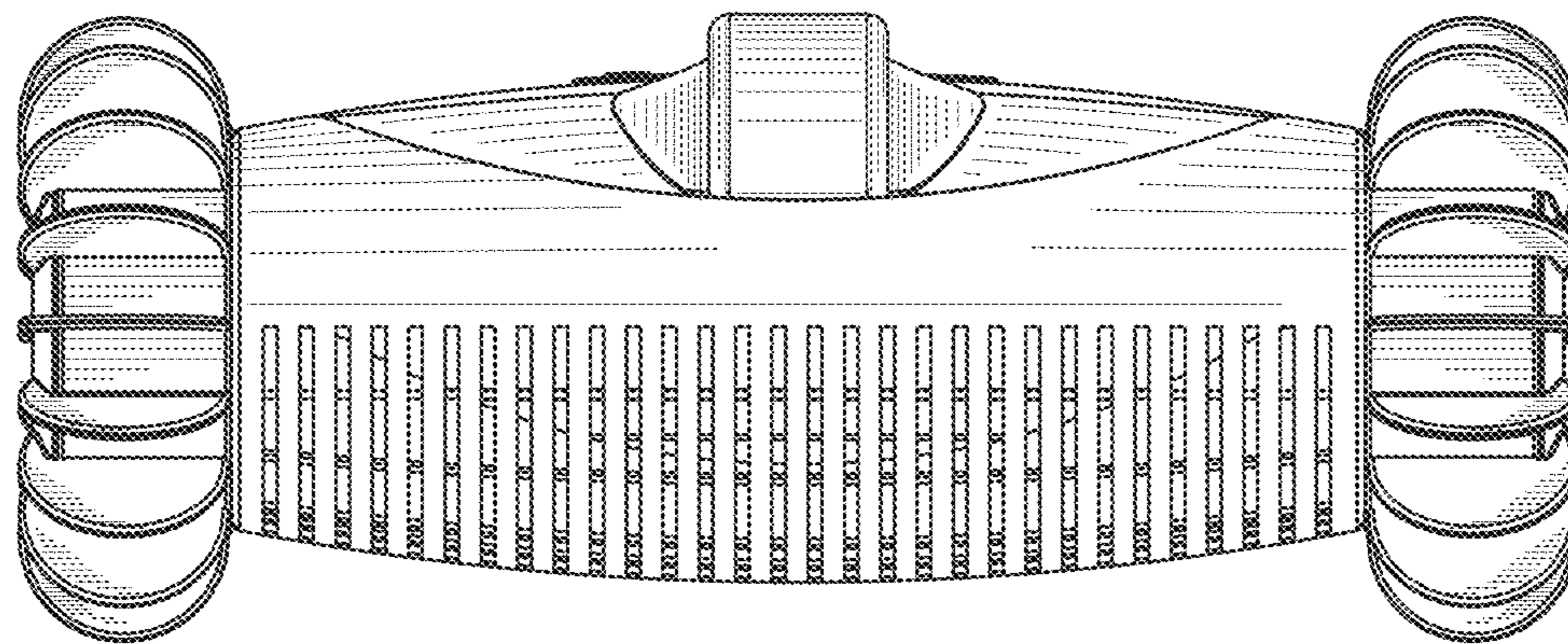


FIG. 6

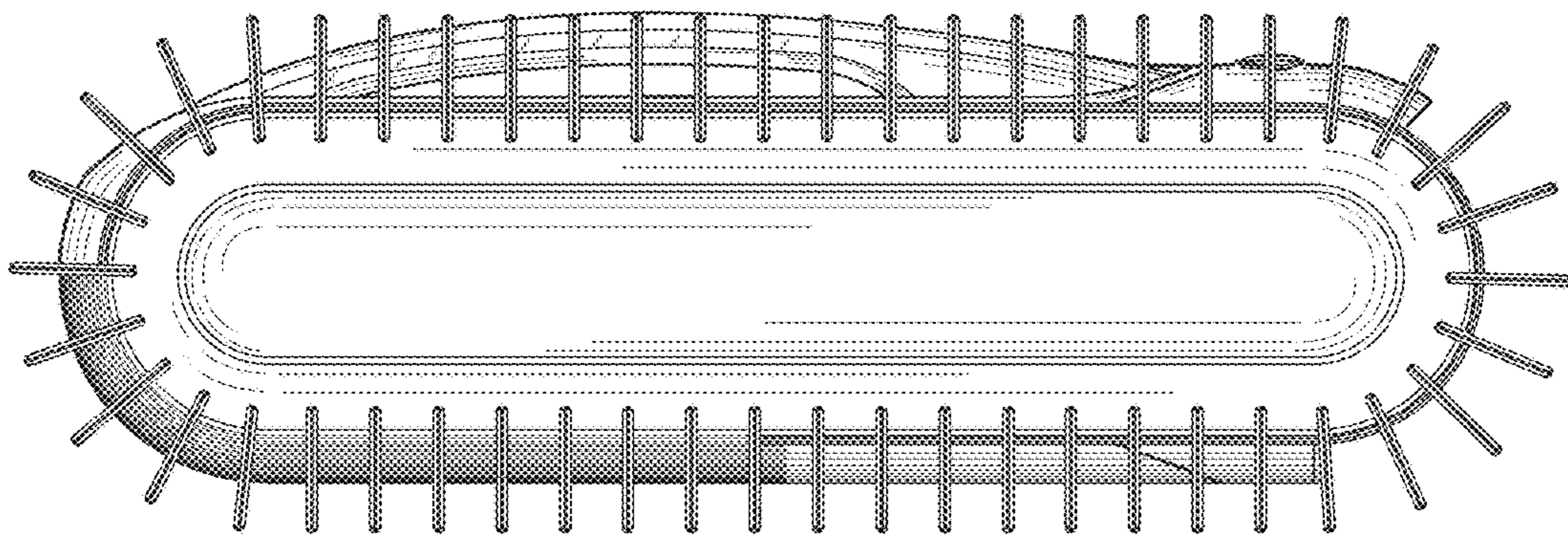


FIG. 7