



US00D782547S

(12) **United States Design Patent**
Okuyama et al.

(10) **Patent No.:** **US D782,547 S**
(45) **Date of Patent:** **** Mar. 28, 2017**

- (54) **CABIN FOR A TRACTOR**
- (71) Applicant: **YANMAR CO., LTD.**, Osaka-shi,
Osaka (JP)
- (72) Inventors: **Kiyoyuki Okuyama**, Yamagata (JP);
Shinya Kawashiri, Osaka (JP)
- (73) Assignee: **YANMAR CO., LTD.**, Osaka-Shi,
Osaka (JP)

D668,693 S *	10/2012	Ringer	D15/30
D671,566 S *	11/2012	Fang	D15/30
D674,411 S *	1/2013	Masumoto	D15/30
D674,820 S *	1/2013	Budde	D15/30
D674,821 S *	1/2013	Budde	D15/30
D686,643 S *	7/2013	Kinoshita	D15/30
D702,264 S *	4/2014	Huissoon	D15/30
D705,276 S *	5/2014	Furuki	D15/30
D714,837 S *	10/2014	Jacobsthal	D15/30
D721,742 S *	1/2015	Lee	D15/30
D754,213 S *	4/2016	Okuyama	D15/30
D766,337 S *	9/2016	Okuyama	D15/30

(**) Term: **15 Years**

(21) Appl. No.: **29/558,404**

(22) Filed: **Mar. 17, 2016**

(30) **Foreign Application Priority Data**

Oct. 20, 2015 (JP) 2015-023265

(51) **LOC (10) Cl.** **15-03**

(52) **U.S. Cl.**
USPC **D15/30**

(58) **Field of Classification Search**
USPC D15/28, 30, 31, 22-26, 7-14; D34/37;
180/89.11, 89.12, 89.13, 89.19, 900
CPC .. B66C 13/54; E02F 9/16; E02F 9/163; E02F
9/06; B62D 33/0617; B62D
49/00-49/085; B62D 33/06-33/073; B60J
7/00; B60J 1/004; B60J 1/02; B60J 1/04;
B60J 5/0487

See application file for complete search history.

(56) **References Cited**

U.S. PATENT DOCUMENTS

D531,646 S *	11/2006	McCarren, Jr.	D15/30
D531,647 S *	11/2006	Stender	D15/30
D535,310 S *	1/2007	Kuwae	D15/30
D596,204 S *	7/2009	Kuwae	D15/30
D603,881 S *	11/2009	Tamplain, III	D15/30
D660,881 S *	5/2012	Bohme	D15/30

FOREIGN PATENT DOCUMENTS

CN	303530958 S	12/2015
KR	300855362 S	5/2016

OTHER PUBLICATIONS

Japanese Notice of Reasons for Refusal corresponding to Application No. 2015-023265; Shipping Date: May 24, 2016, with partial English translation.

* cited by examiner

Primary Examiner — Mark Goodwin
(74) *Attorney, Agent, or Firm* — Cantor Colburn LLP

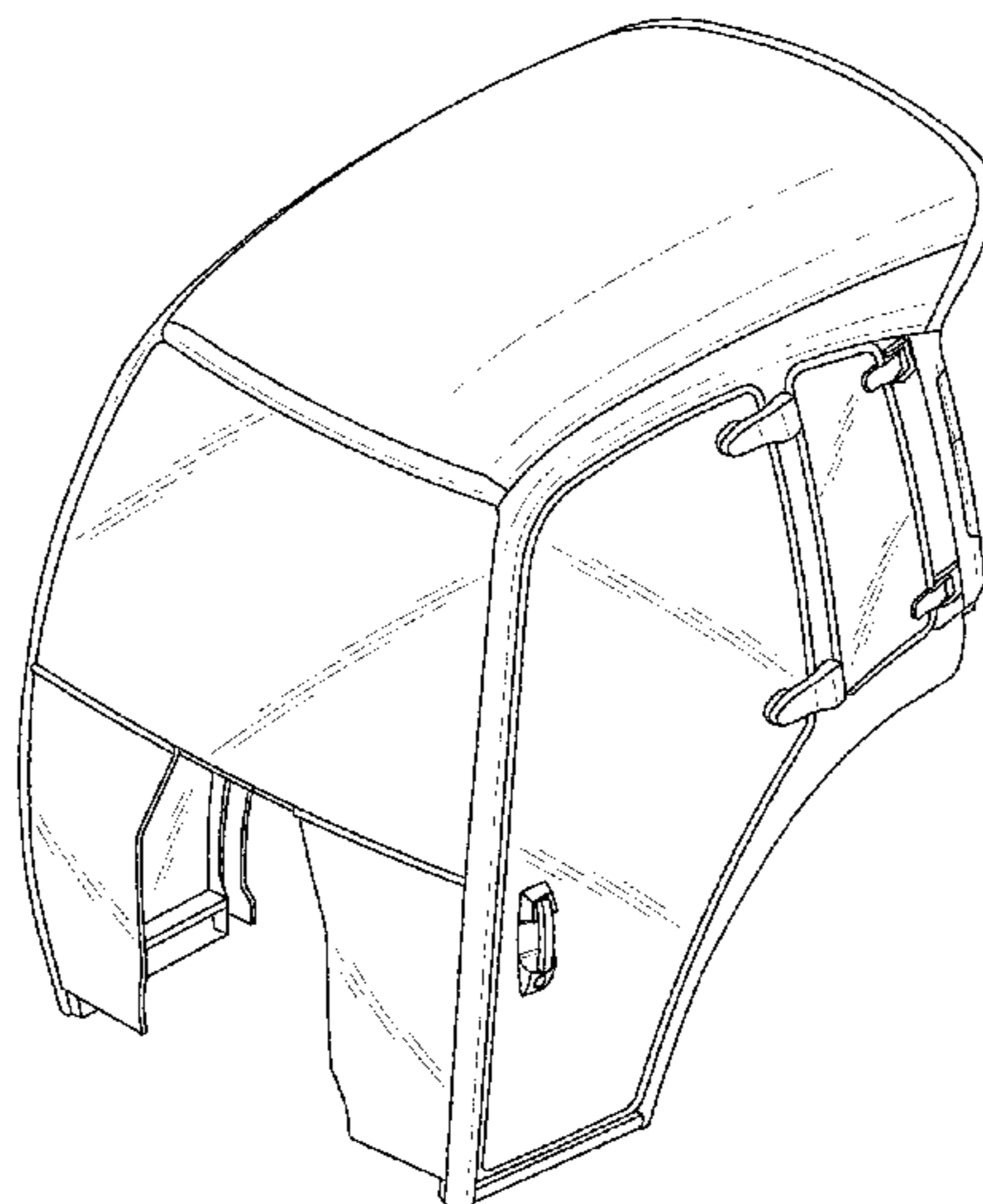
(57) **CLAIM**

The ornamental design for a cabin for a tractor, as shown and described.

DESCRIPTION

FIG. 1 is a perspective view of a cabin for a tractor showing our new design;
FIG. 2 is a front view thereof;
FIG. 3 is a left side view thereof;
FIG. 4 is a right side view thereof;
FIG. 5 is a top plan view thereof; and,
FIG. 6 is a bottom plan view thereof.

1 Claim, 6 Drawing Sheets



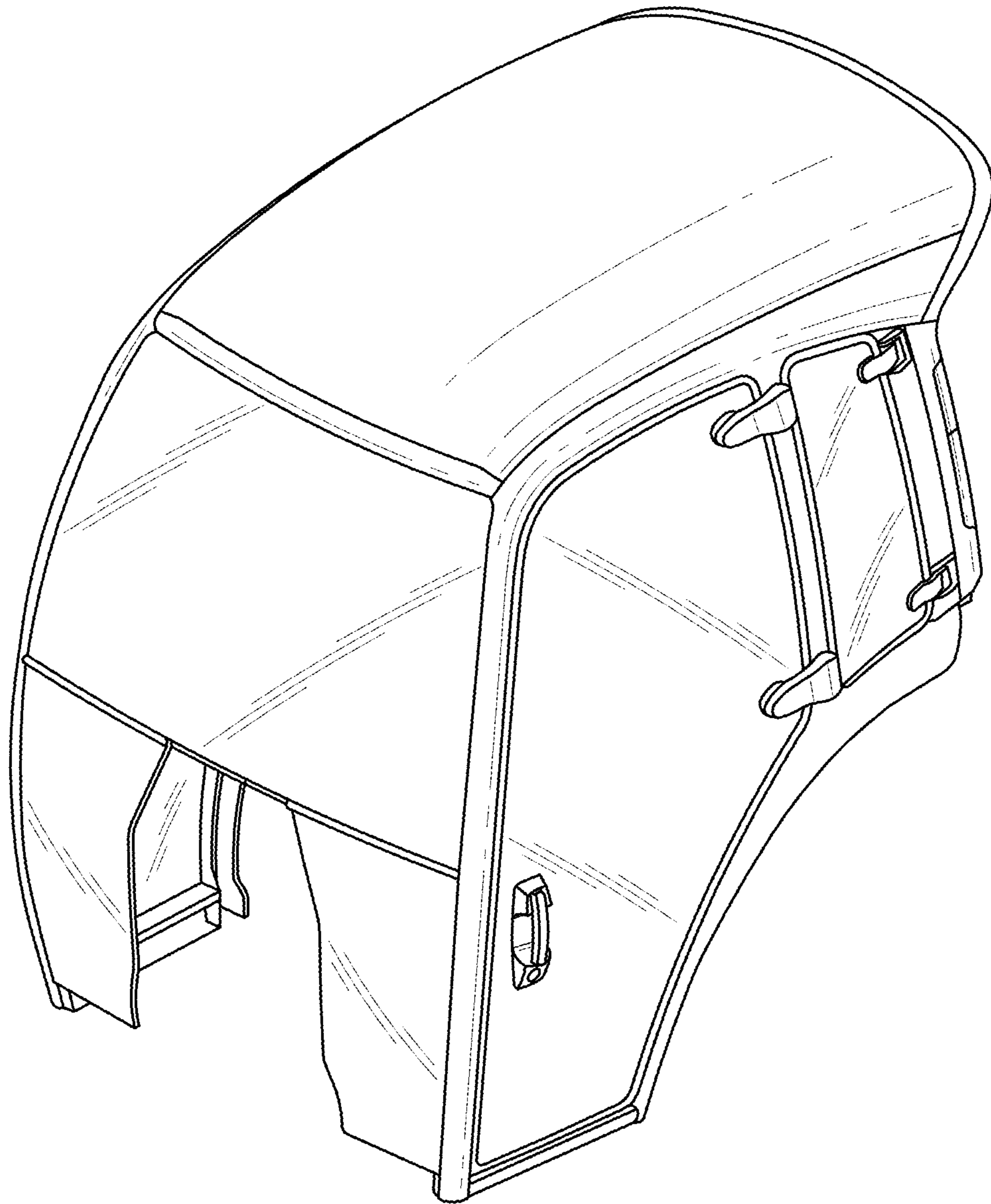


FIG. 1

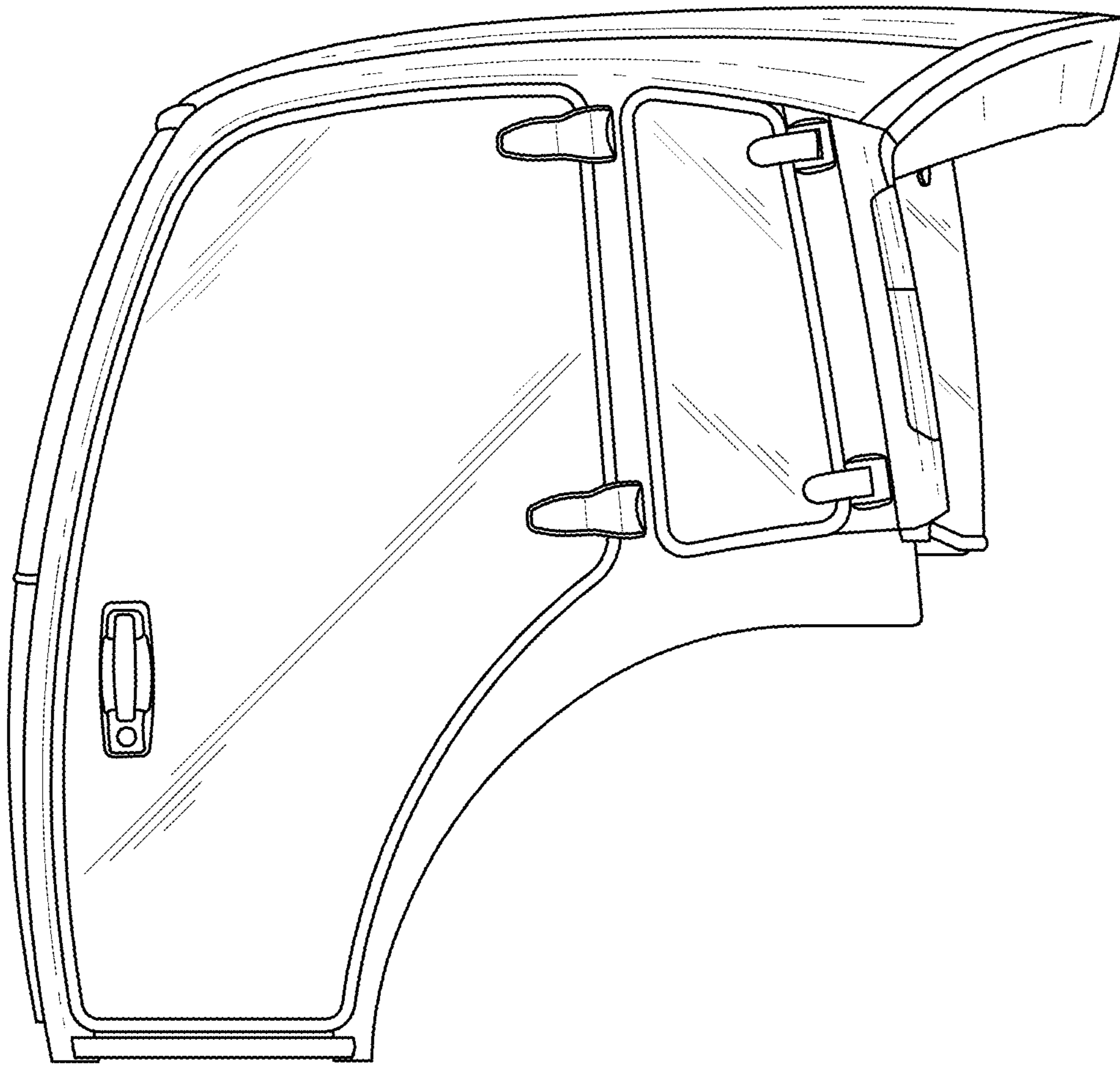


FIG. 2

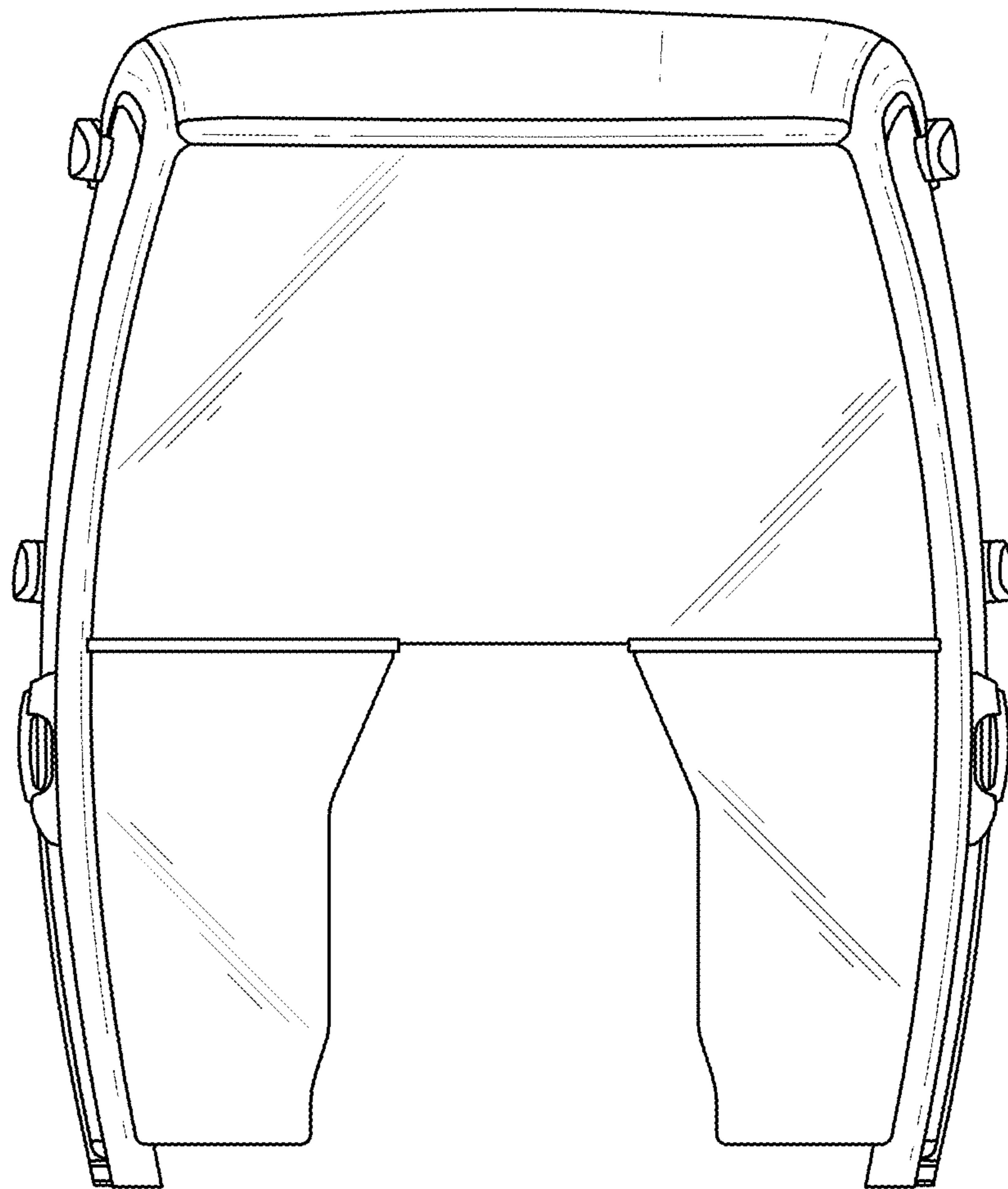


FIG. 3

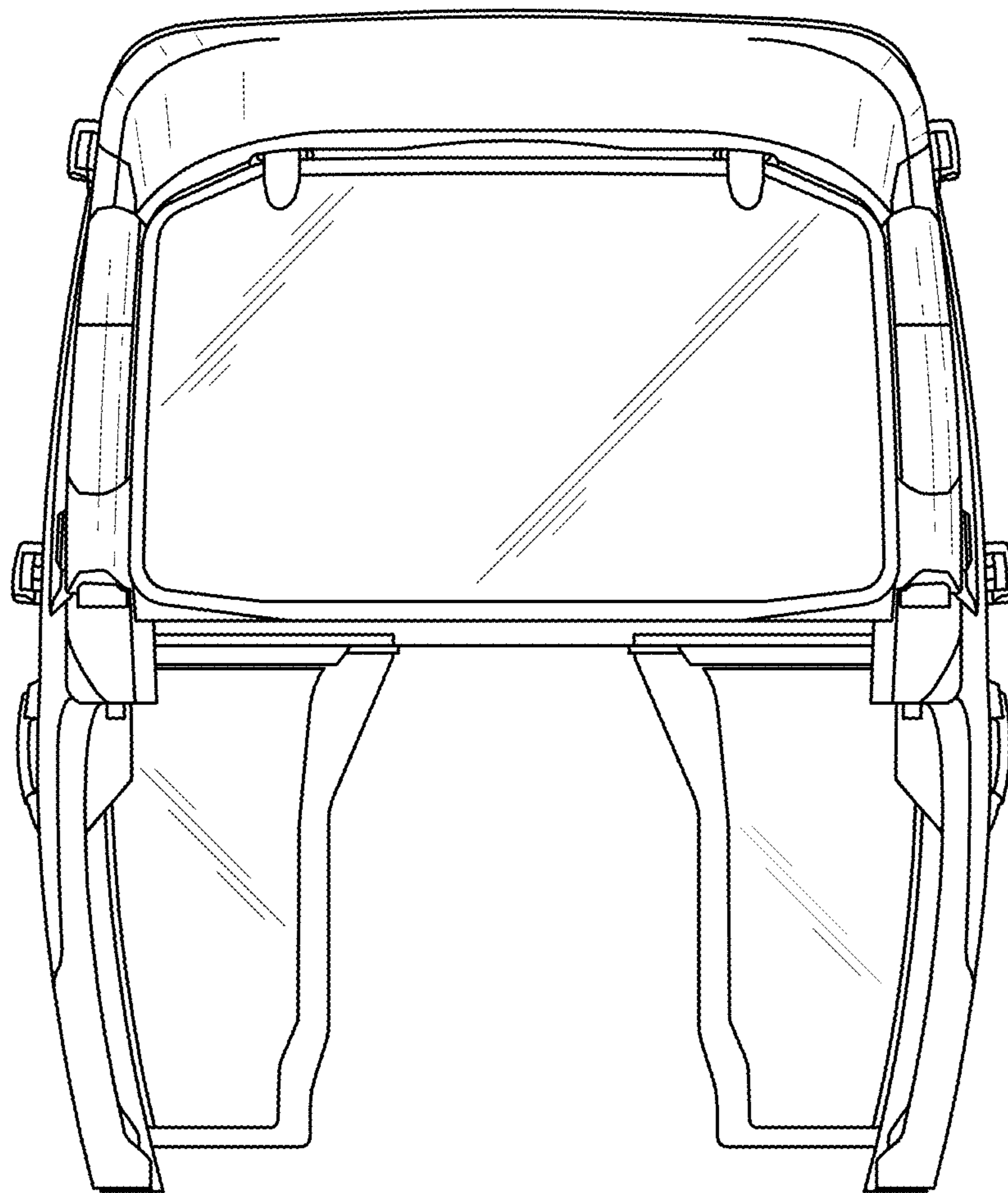


FIG. 4

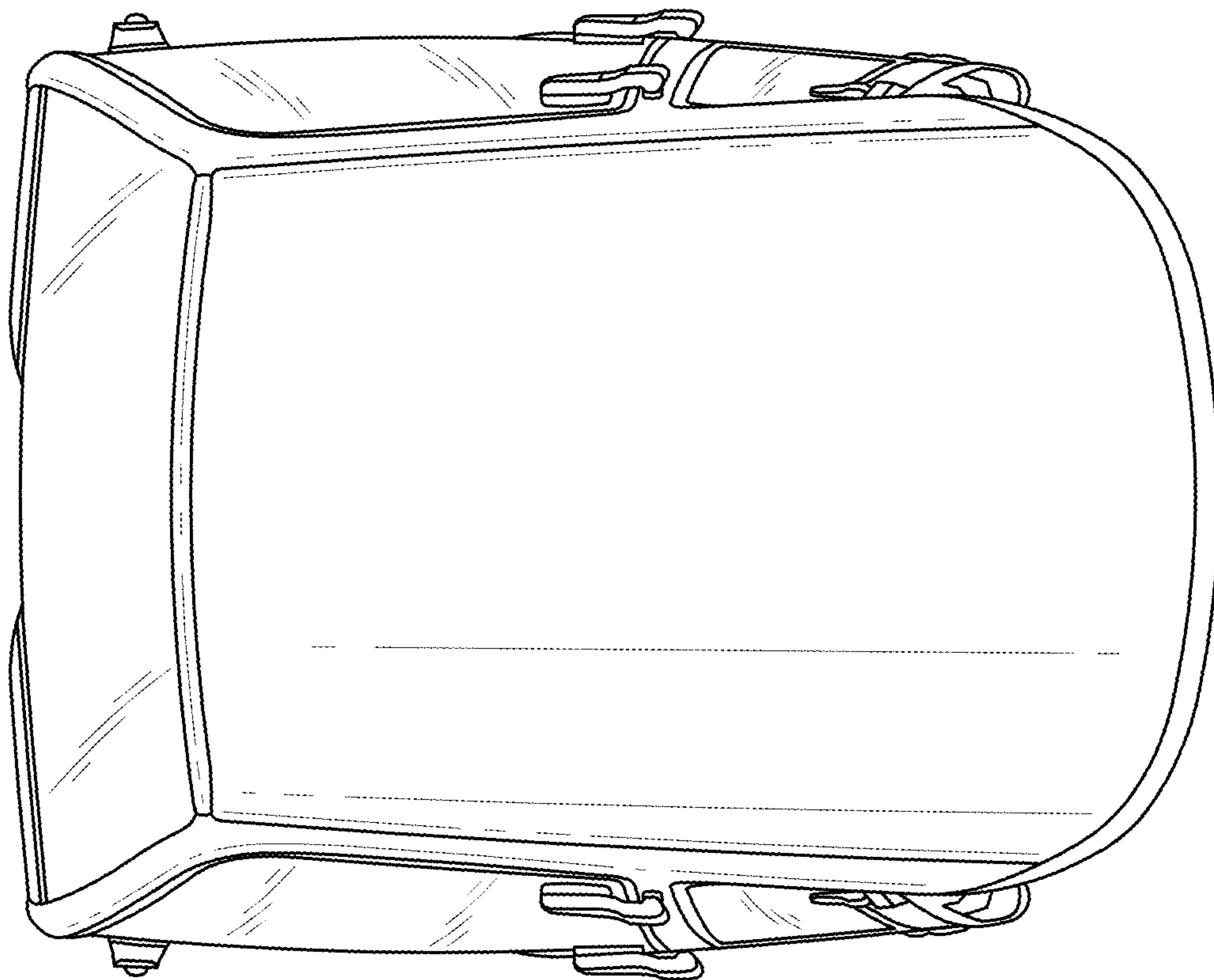


FIG. 5

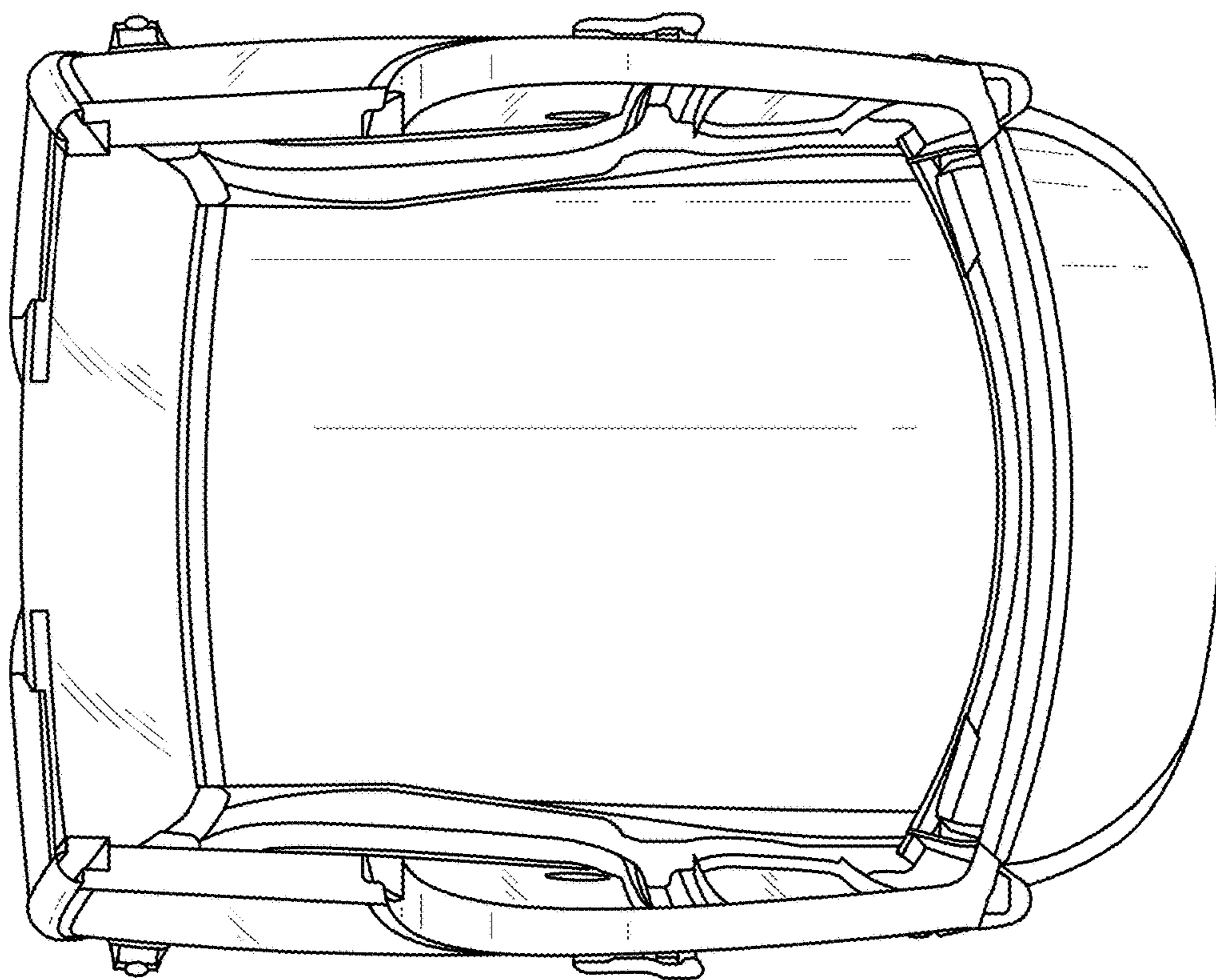


FIG. 6