



US00D782546S

(12) **United States Design Patent**
Balan et al.

(10) **Patent No.:** **US D782,546 S**
(45) **Date of Patent:** **** Mar. 28, 2017**

(54) **ADAPTER COVER FOR A GROUND
ENGAGING MACHINE IMPLEMENT**

(71) Applicant: **Caterpillar Inc.**, Peoria, IL (US)

(72) Inventors: **Mihai Mircea Balan**, Dunlap, IL (US);
Douglas Serrurier, Morton, IL (US);
James Lahood, Peoria, IL (US)

(73) Assignee: **Caterpillar Inc.**, Peoria, IL (US)

(**) Term: **15 Years**

(21) Appl. No.: **29/548,625**

(22) Filed: **Dec. 15, 2015**

(51) **LOC (10) Cl.** **15-03**

(52) **U.S. Cl.**
USPC **D15/29**; D15/28

(58) **Field of Classification Search**
USPC D15/11, 28, 29; 37/456, 452, 450, 446,
37/454, 449, 453, 455, 903; 403/379.5,
403/DIG. 1; 111/152; 172/724, 730, 766,
172/770, 771, 721, 713, 699, 772
CPC Y10T 29/49826; Y10T 403/589; Y10T
403/7018; Y10T 403/7075; E02F 9/28;
E02F 9/2825; E02F 9/2833; E02F 9/2866;
E02F 9/2858; E02F 9/2808; E02F 9/2841
See application file for complete search history.

(56) **References Cited**

U.S. PATENT DOCUMENTS

- 2,896,345 A * 7/1959 Peklay E02F 9/28
37/453
- 3,137,352 A 6/1964 Petersen
- 3,851,413 A 12/1974 Lukavich
- 4,233,761 A 11/1980 Ryerson
- 4,317,300 A 3/1982 Emrich et al.
- 4,326,348 A 4/1982 Emrich

- 4,404,760 A 9/1983 Hahn et al.
- 5,241,765 A * 9/1993 Jones E02F 3/60
172/772
- 5,666,748 A 9/1997 Emrich et al.
- 5,913,605 A * 6/1999 Jusselin E02F 9/28
172/772
- 6,725,582 B2 * 4/2004 Adamic E02F 9/2833
37/456
- 7,144,183 B2 * 12/2006 Lian E02F 9/2841
172/772
- 7,559,162 B2 7/2009 Bierwith
- 9,315,972 B2 * 4/2016 Anisy E02F 9/2825

* cited by examiner

Primary Examiner — Mark Goodwin

(74) *Attorney, Agent, or Firm* — Saidman Design Law
Group

(57) **CLAIM**

The ornamental design for an adapter cover for a ground
engaging machine implement, as shown and described.

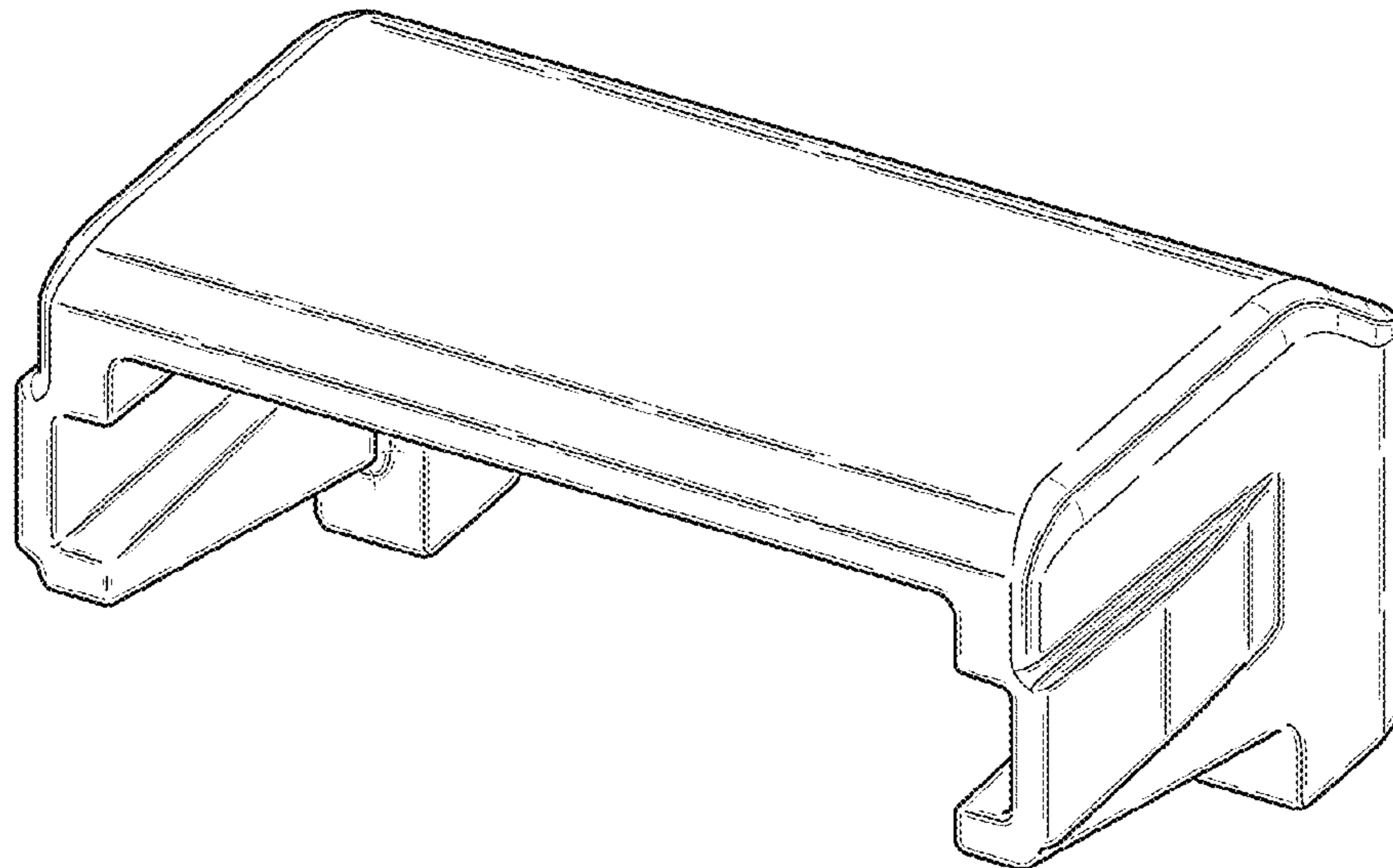
DESCRIPTION

FIG. 1 is a front perspective view of an adapter cover for a
ground engaging machine implement showing our new
design;
FIG. 2 is a rear perspective view thereof;
FIG. 3 is a front view thereof;
FIG. 4 is a rear view thereof;
FIG. 5 is a left side view thereof;
FIG. 6 is a right side view thereof;
FIG. 7 is a top view thereof; and,
FIG. 8 is a bottom view thereof.

The relatively thin shade lines represent contour, not surface
ornamentation.

The dashed broken lines represent structure or features
which form no part of the claimed design; the broken lines
themselves form no part of the claimed design.

1 Claim, 4 Drawing Sheets



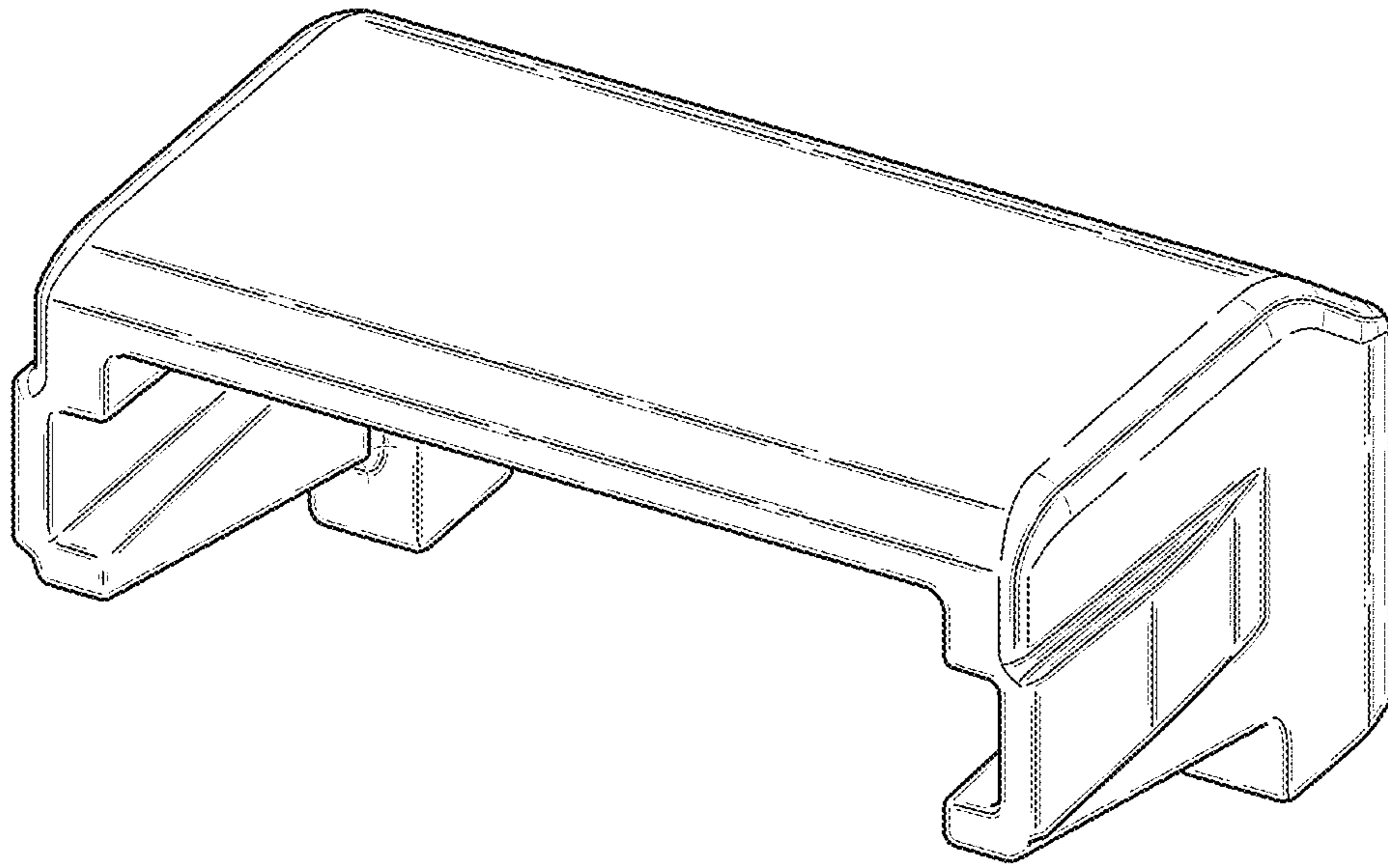


Fig. 1

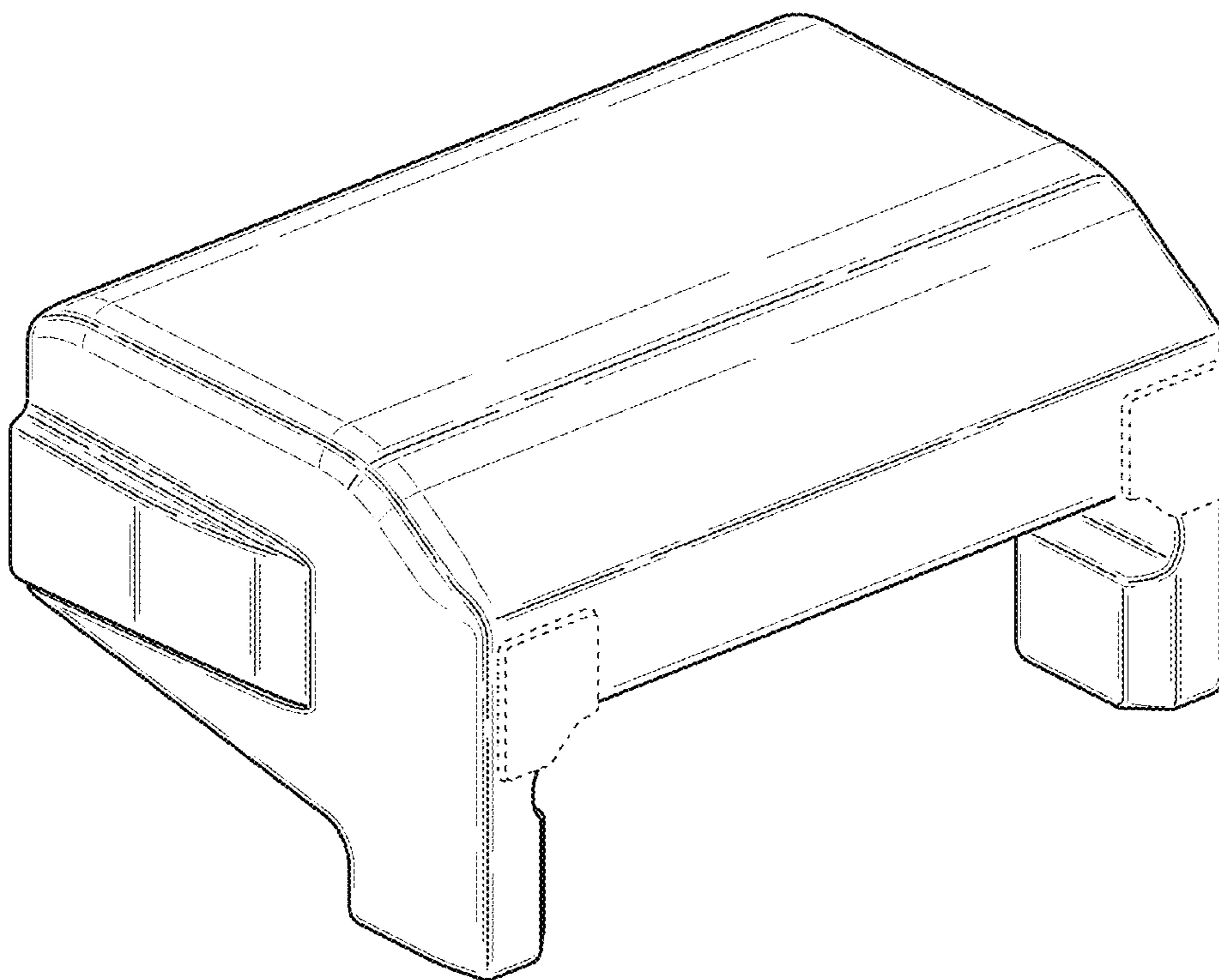


Fig. 2

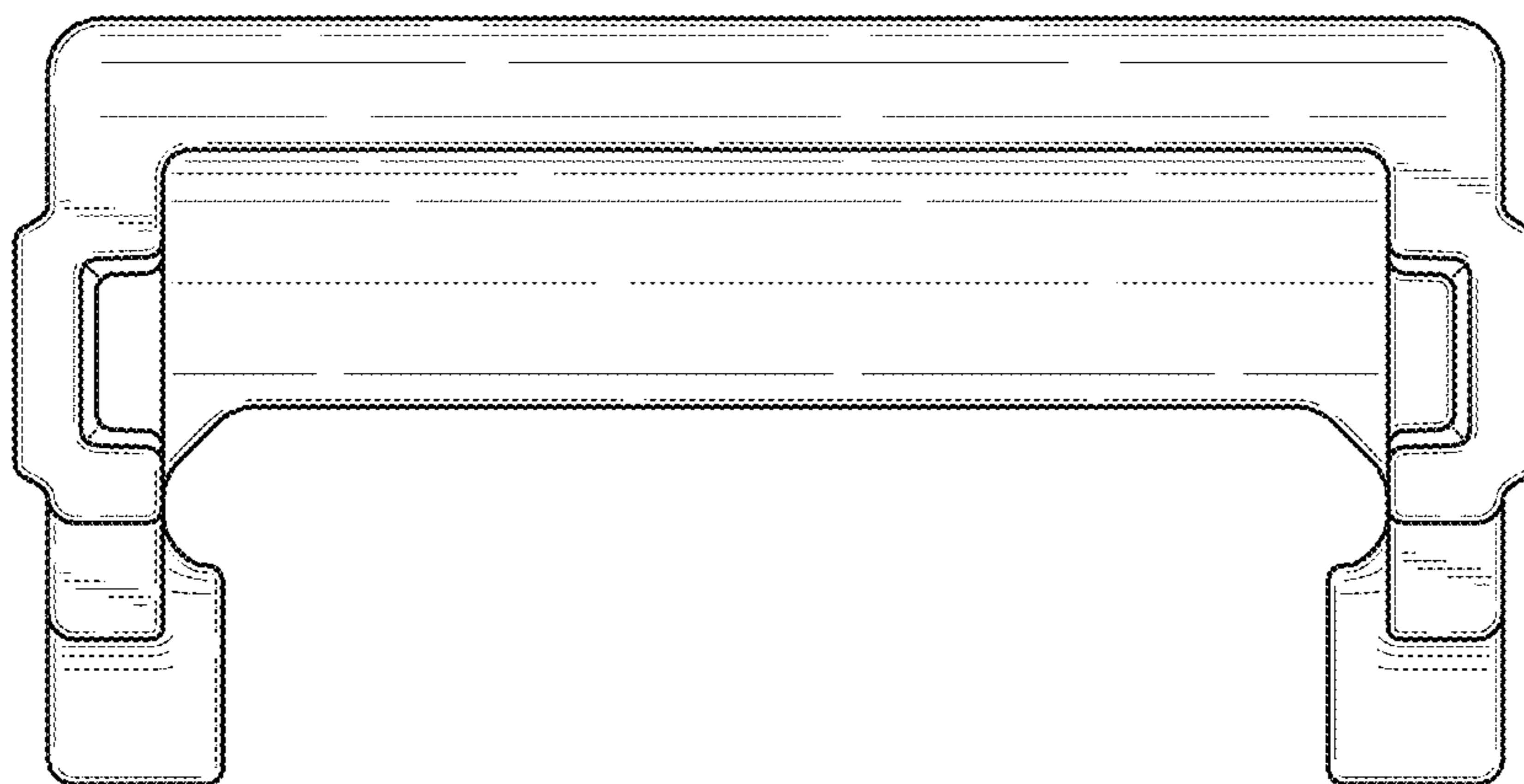


Fig. 3

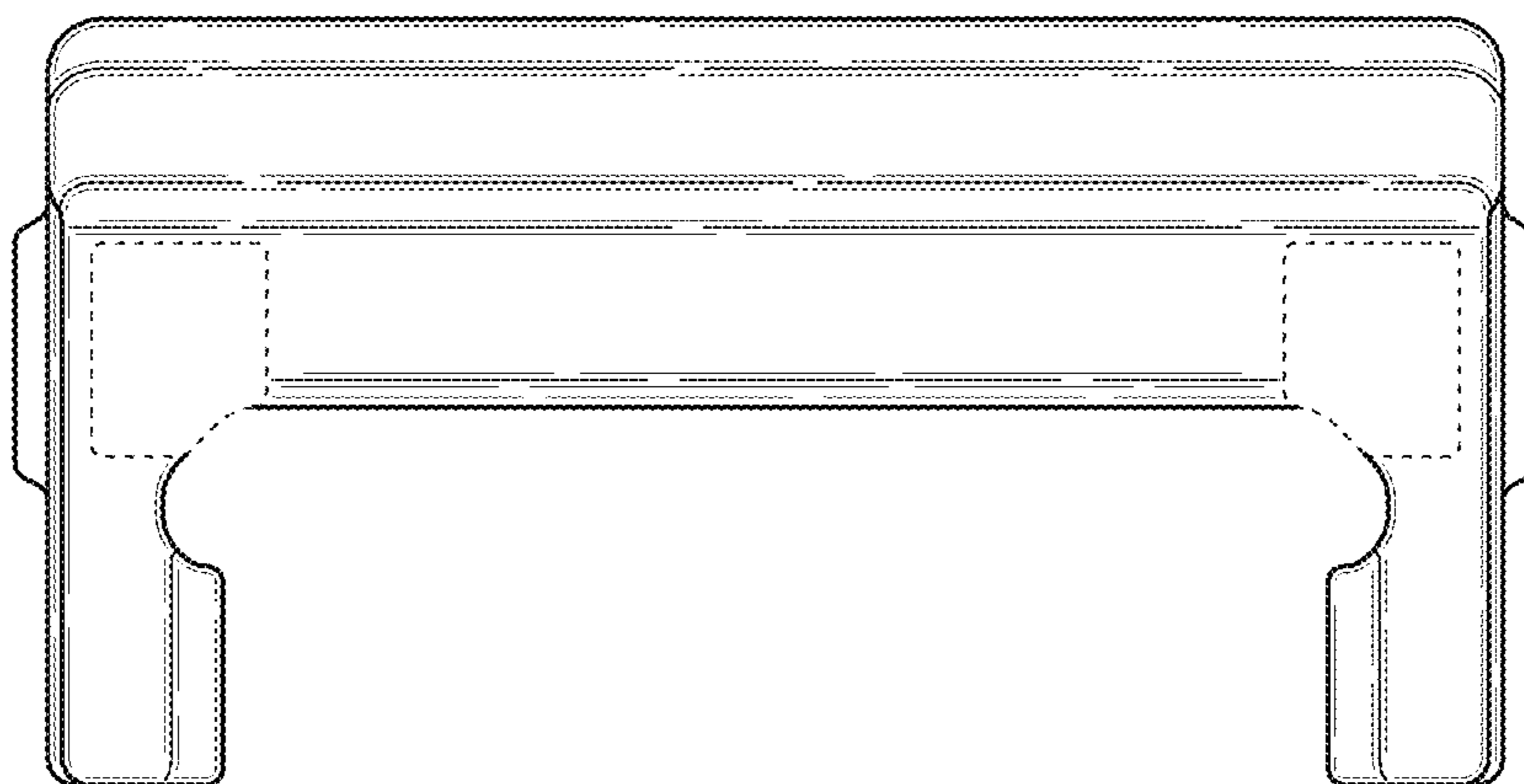


Fig. 4

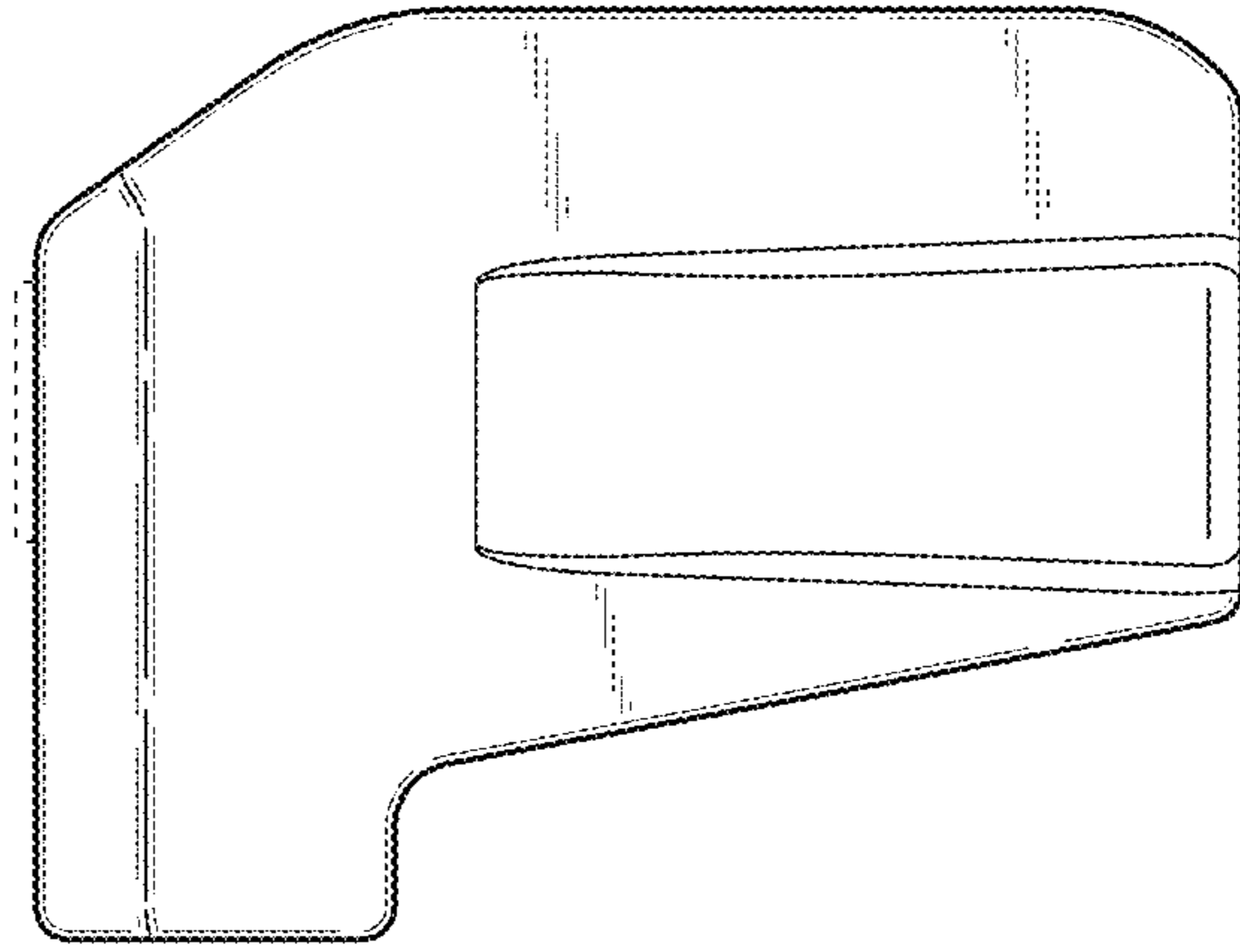


Fig. 5

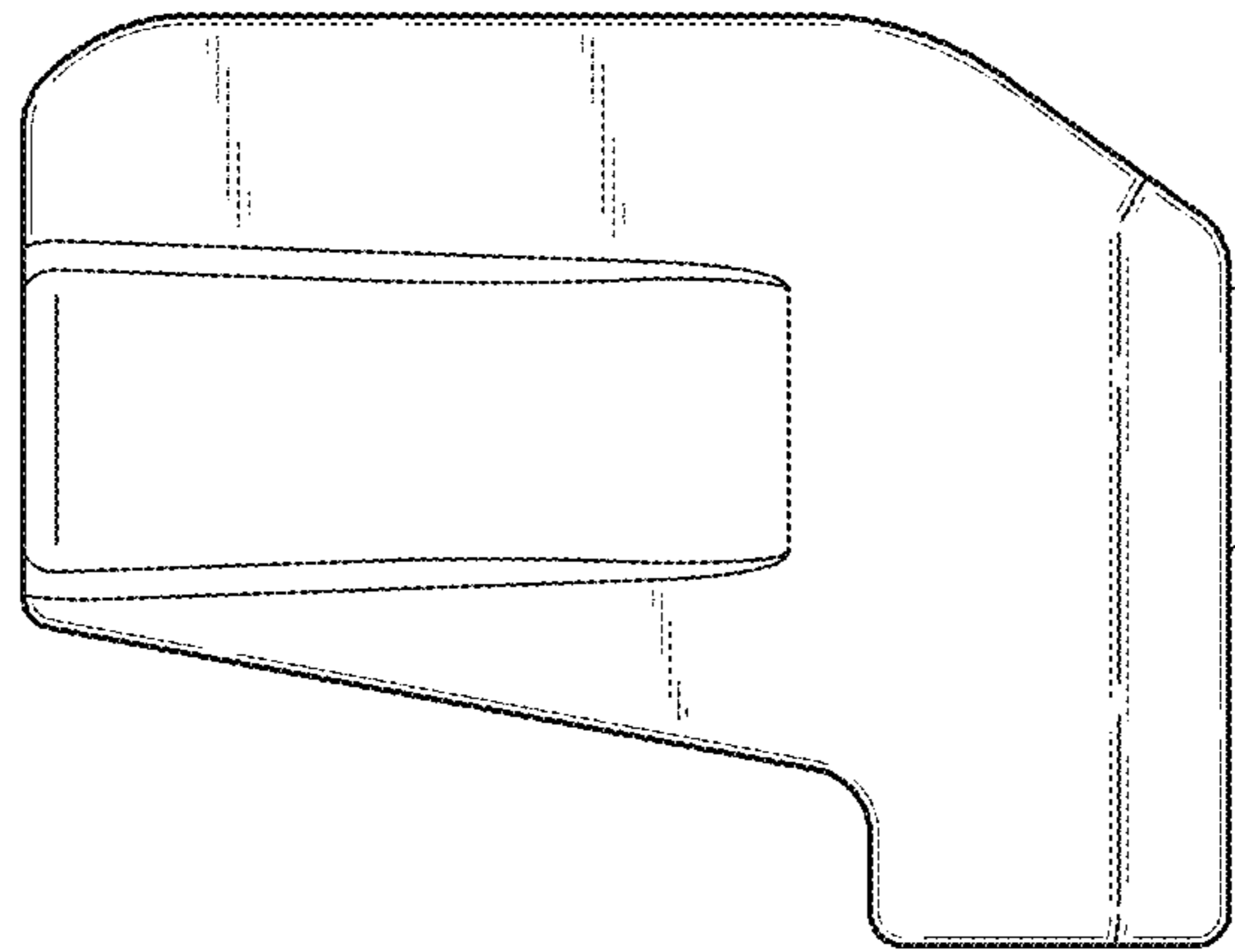


Fig. 6



Fig. 7

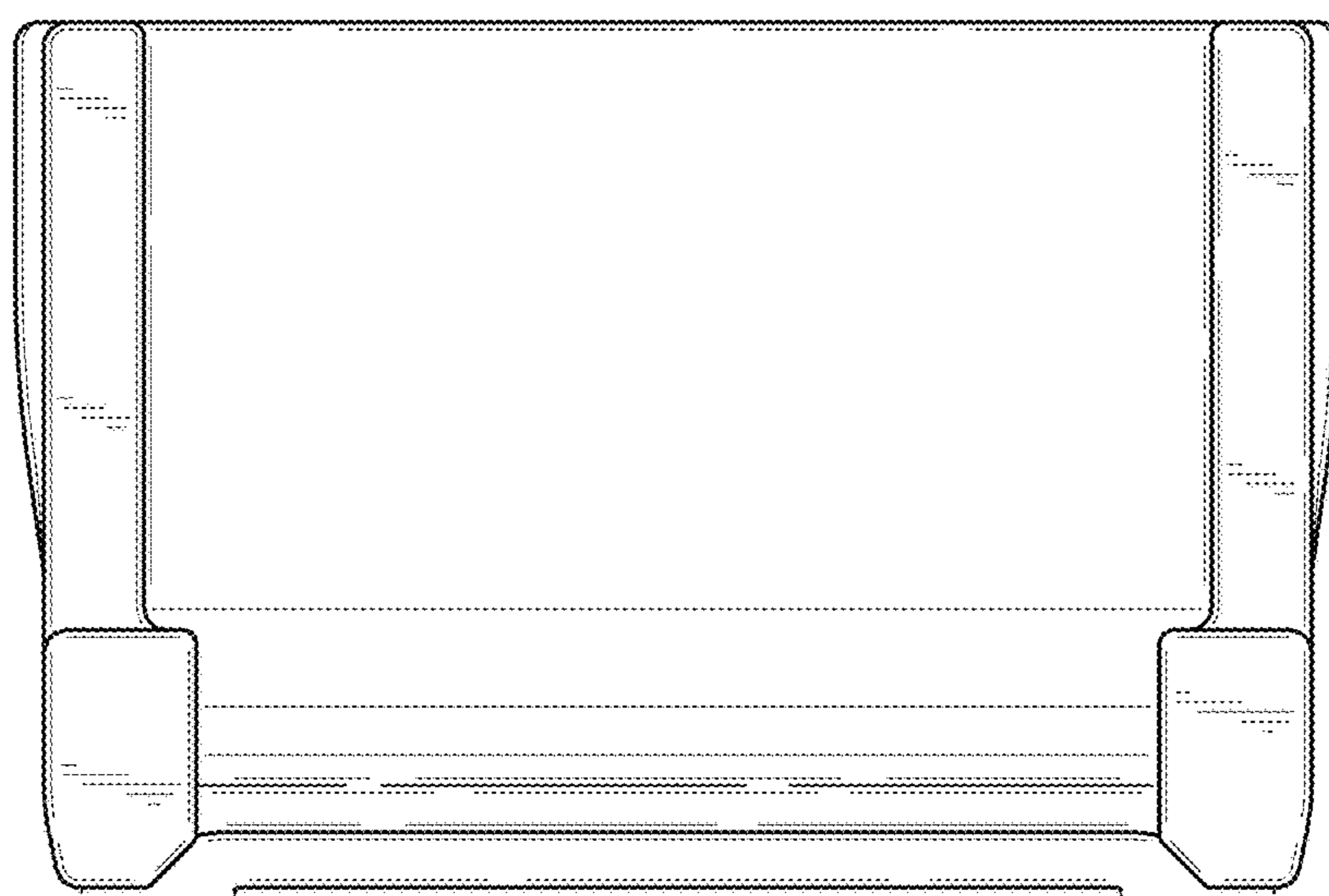


Fig. 8