



US00D782545S

(12) **United States Design Patent**
Forth

(10) **Patent No.:** **US D782,545 S**

(45) **Date of Patent:** **** Mar. 28, 2017**

(54) **PIVOT ASSEMBLY FOR FOLDING WING OF
LARGE AGRICULTURAL IMPLEMENT**

(71) Applicant: **FAST GLOBAL SOLUTIONS, INC.**,
Glenwood, MN (US)

(72) Inventor: **Kurt M. Forth**, Cologne, MN (US)

(73) Assignee: **Fast Global Solutions, Inc.**, Glenwood,
MN (US)

(**) Term: **15 Years**

(21) Appl. No.: **29/551,986**

(22) Filed: **Jan. 19, 2016**

(51) **LOC (10) Cl.** **15-03**

(52) **U.S. Cl.**
USPC **D15/28**

(58) **Field of Classification Search**
USPC D15/13, 21, 28; 172/311, 456
CPC A01B 73/06; A01B 73/067; A01B 73/044;
A01B 73/00; A01B 73/02; A01B 73/04
See application file for complete search history.

(56) **References Cited**

U.S. PATENT DOCUMENTS

D272,069	S *	1/1984	Larsson	D15/28
D272,070	S *	1/1984	Larsson	D15/28
D272,250	S *	1/1984	Larsson	D15/28
5,540,290	A *	7/1996	Peterson	A01B 73/044
					172/311
D440,983	S *	4/2001	Miller	D15/28
D455,762	S *	4/2002	Kaczmariski	D15/28
D458,942	S *	6/2002	Balemi	D15/28
7,584,595	B2 *	9/2009	Marggi	A01D 78/146
					56/375

7,849,933 B2 * 12/2010 Marggi A01B 73/067
172/311

7,854,271 B2 * 12/2010 Naylor A01B 73/02
172/126

D645,061 S * 9/2011 Plummer D15/123
(Continued)

Primary Examiner — Mark Goodwin

(74) *Attorney, Agent, or Firm* — Christensen, Fonder,
Dardi & Herbert LLC

(57) **CLAIM**

I claim the ornamental design for pivot assembly for folding wing of large agricultural implement, as shown and described.

DESCRIPTION

FIG. 1 is a top, front perspective view of pivot assembly for folding wing of large agricultural implement according to an embodiment of the invention.

FIG. 2 is a bottom, rear perspective view of pivot assembly for folding wing of large agricultural implement according to an embodiment of the invention.

FIG. 3 is a top plan view of the pivot assembly for folding wing of large agricultural implement.

FIG. 4 is a front elevational view of the pivot assembly for folding wing of large agricultural implement.

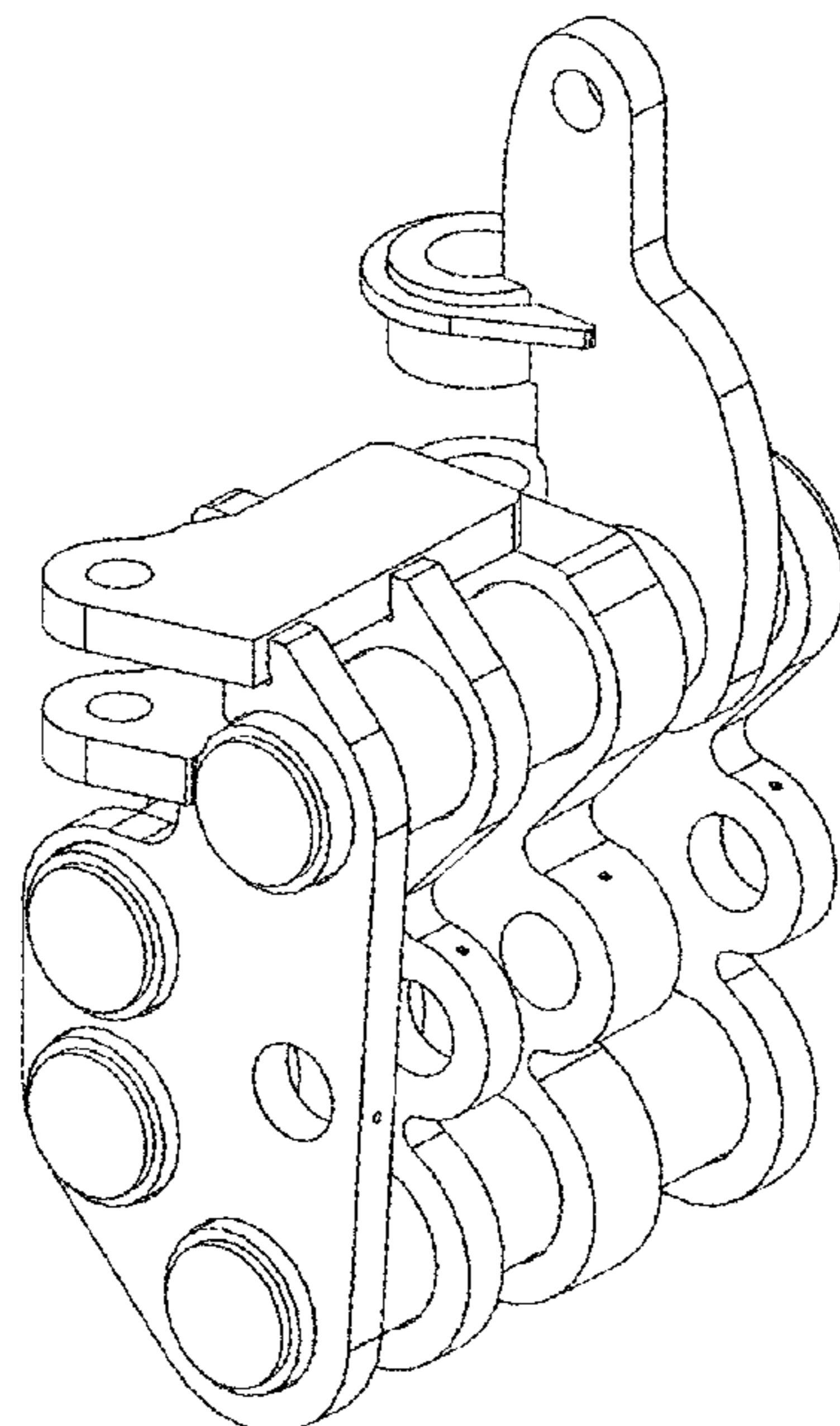
FIG. 5 is a left elevational view of the pivot assembly for folding wing of large agricultural implement.

FIG. 6 is a right elevational view of the pivot assembly for folding wing of large agricultural implement.

FIG. 7 is a rear elevational view of the pivot assembly for folding wing of large agricultural implement; and,

FIG. 8 is a bottom plan view of the pivot assembly for folding wing of large agricultural implement.

1 Claim, 5 Drawing Sheets



(56)

References Cited

U.S. PATENT DOCUMENTS

D709,529 S * 7/2014 Hutchinson D15/28
D709,530 S * 7/2014 Hutchinson D15/28
2008/0163602 A1* 7/2008 Marggi A01D 78/146
56/385
2009/0101369 A1* 4/2009 Marggi A01B 73/067
172/1
2013/0032365 A1* 2/2013 Houck A01B 59/042
172/311
2014/0034341 A1 2/2014 Fast
2015/0047312 A1* 2/2015 Graham A01D 78/146
56/396
2015/0163989 A1* 6/2015 Landoll A01B 29/041
172/311
2016/0050838 A1* 2/2016 Van Mill A01C 23/008
172/1

* cited by examiner

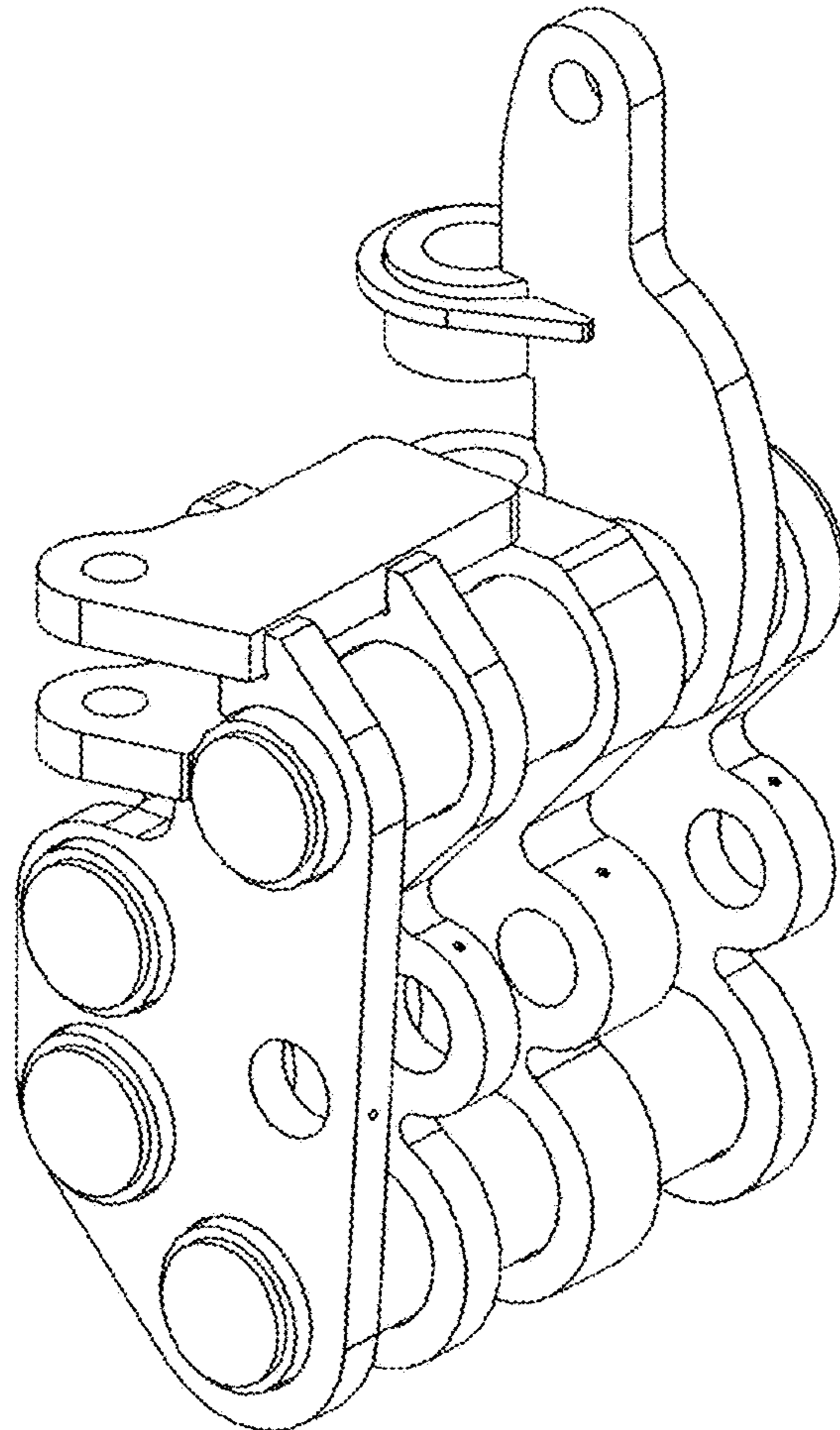


FIG. 1

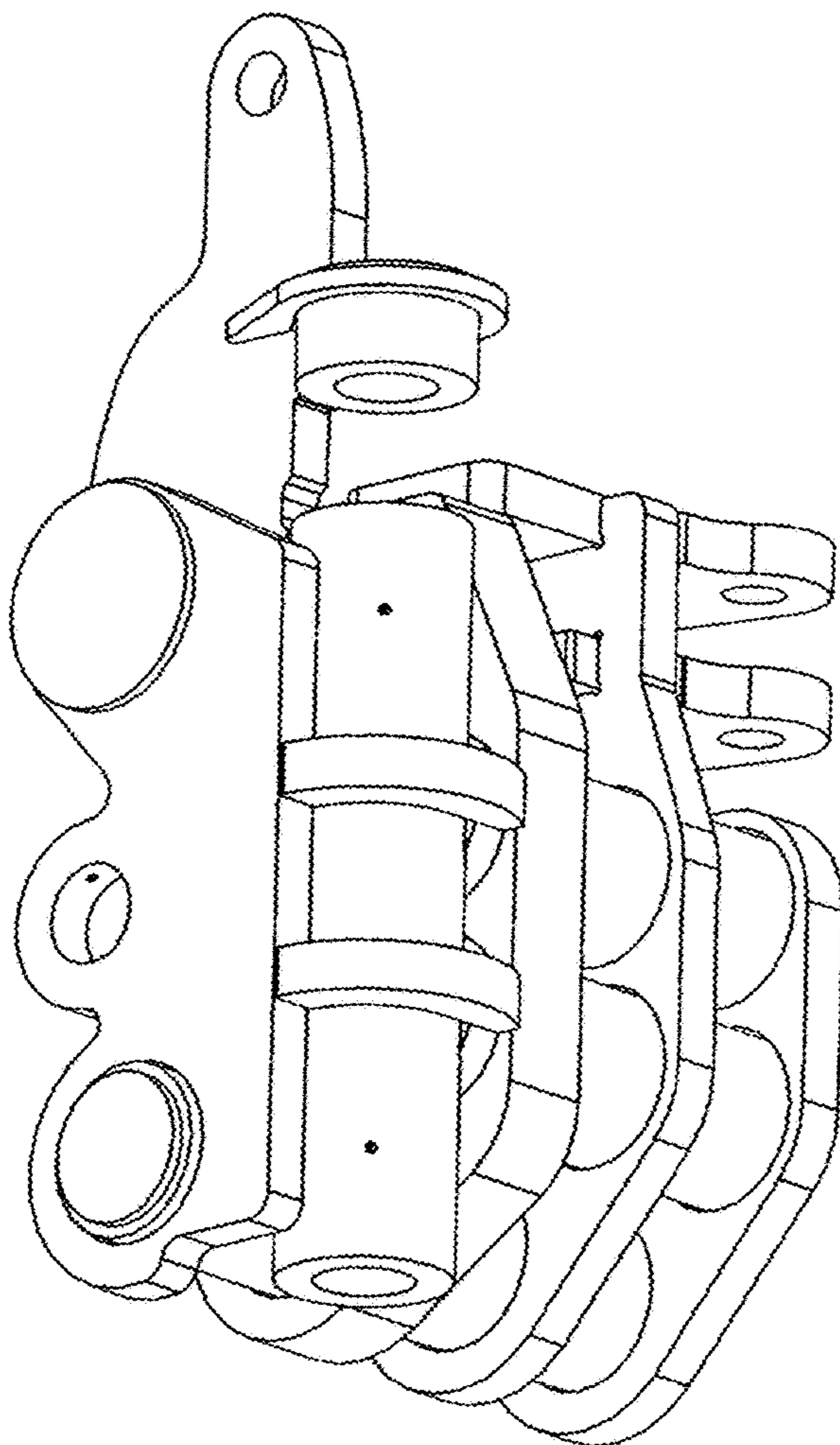


FIG. 2

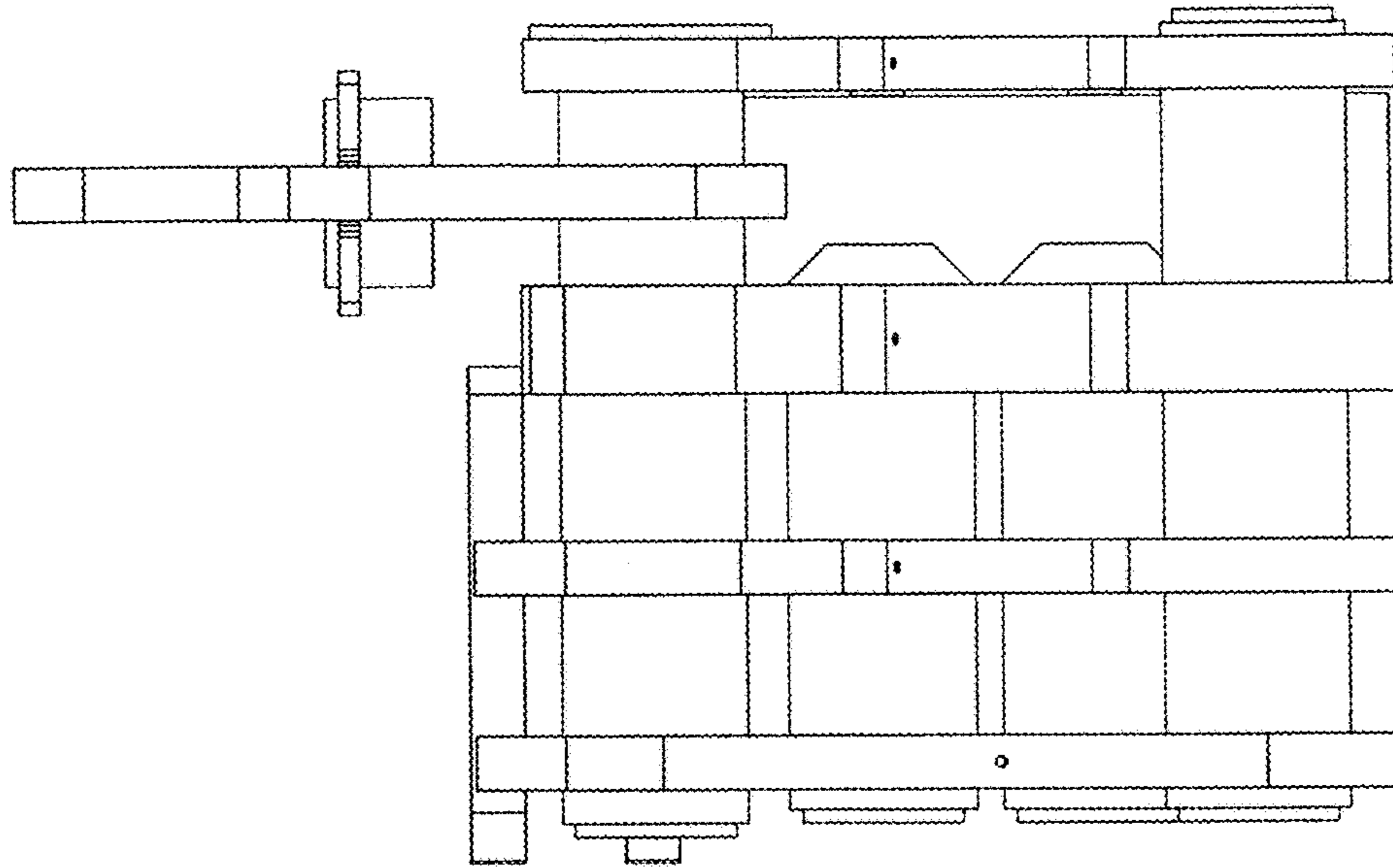


FIG. 4

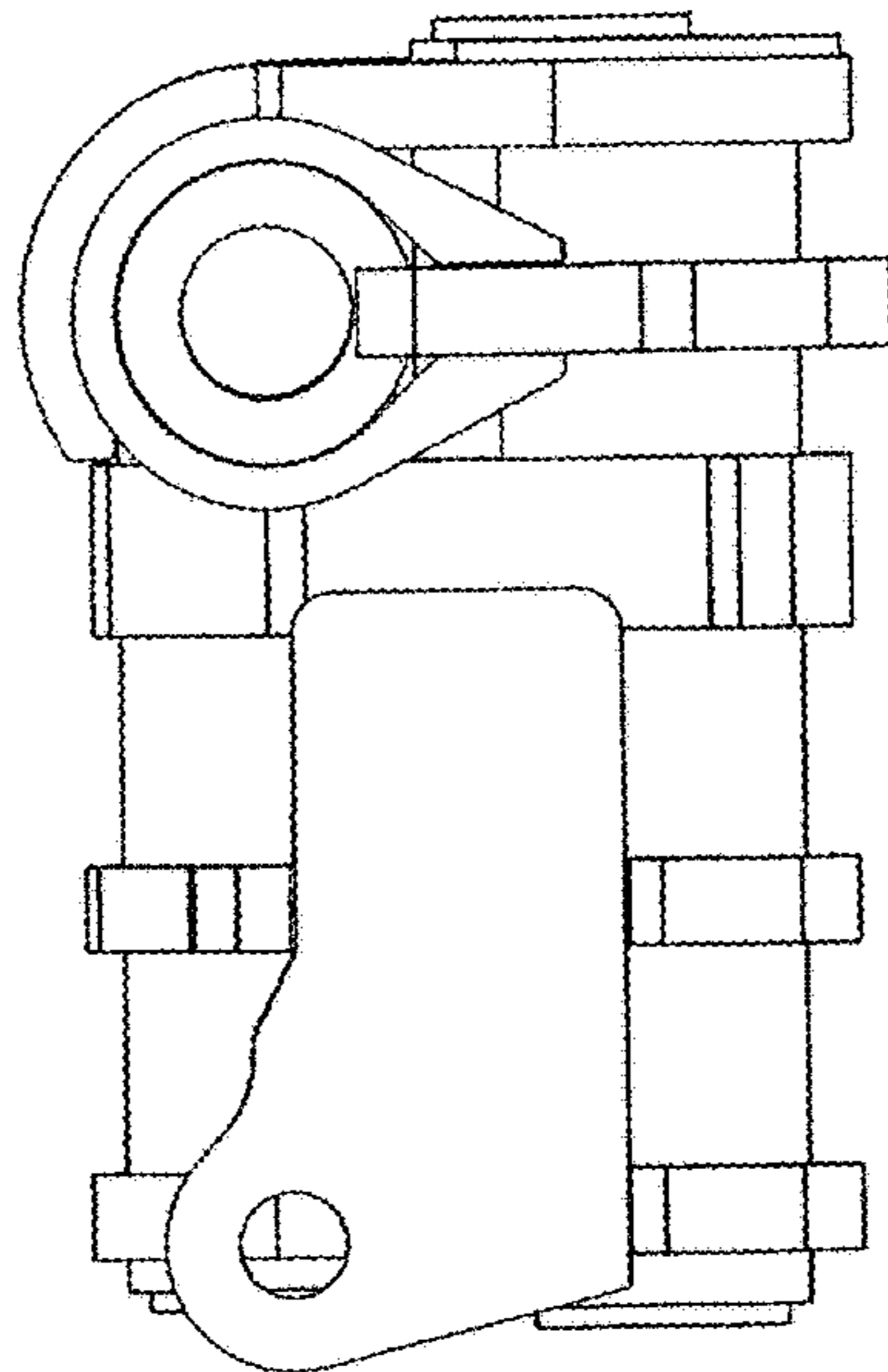


FIG. 3

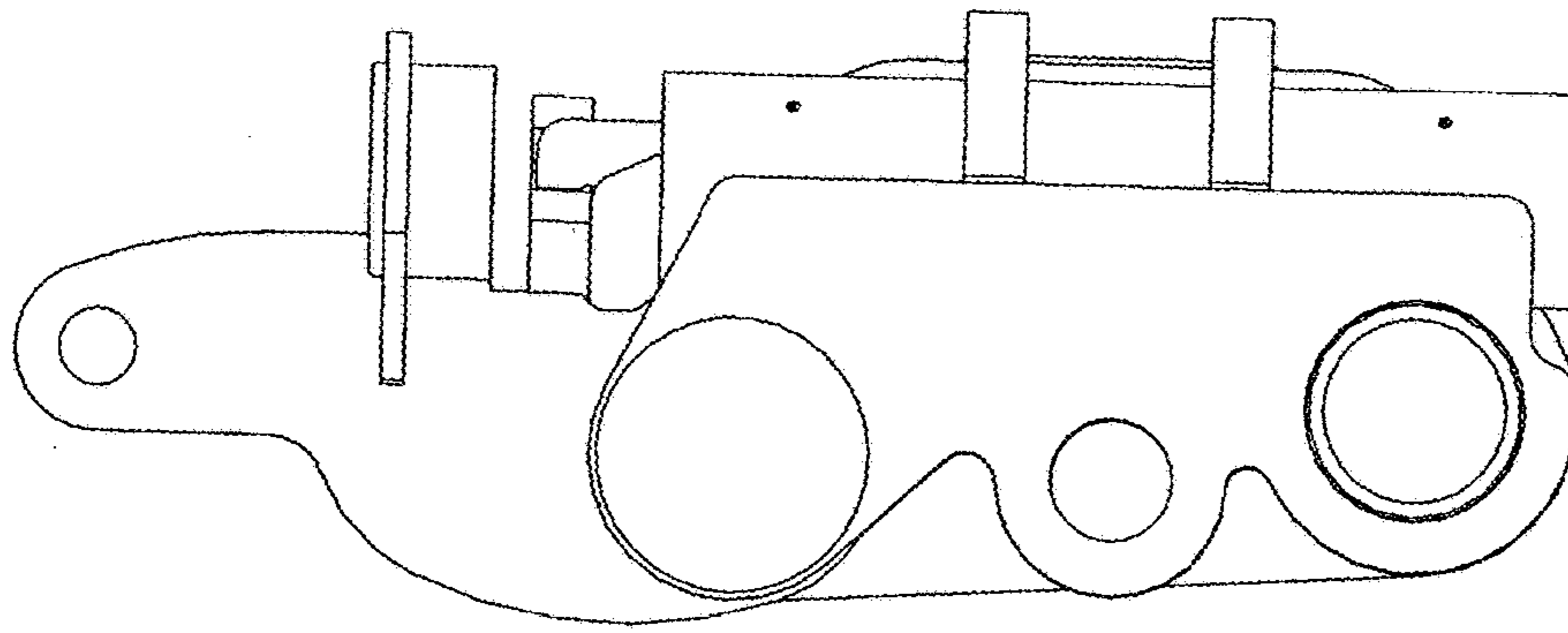


FIG. 6

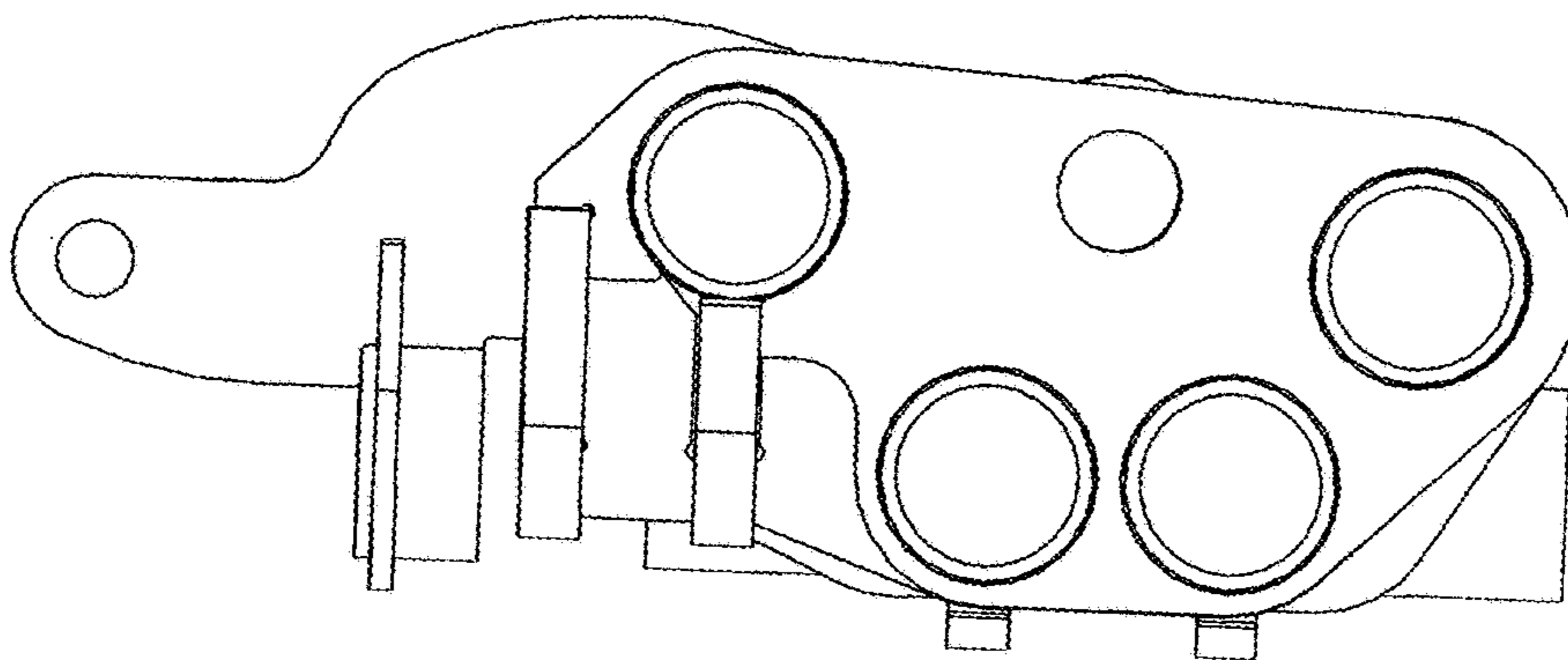


FIG. 5

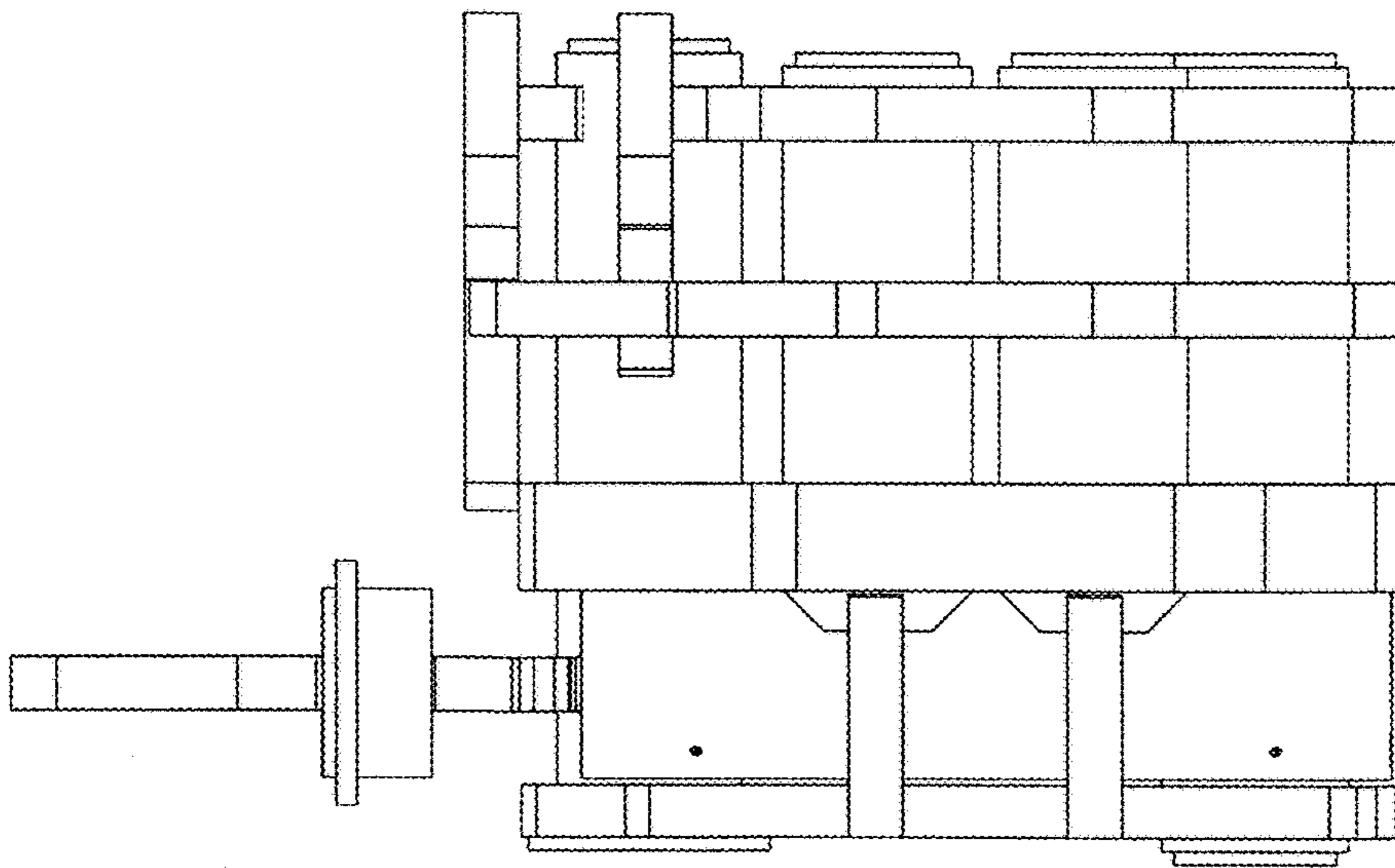


FIG. 7

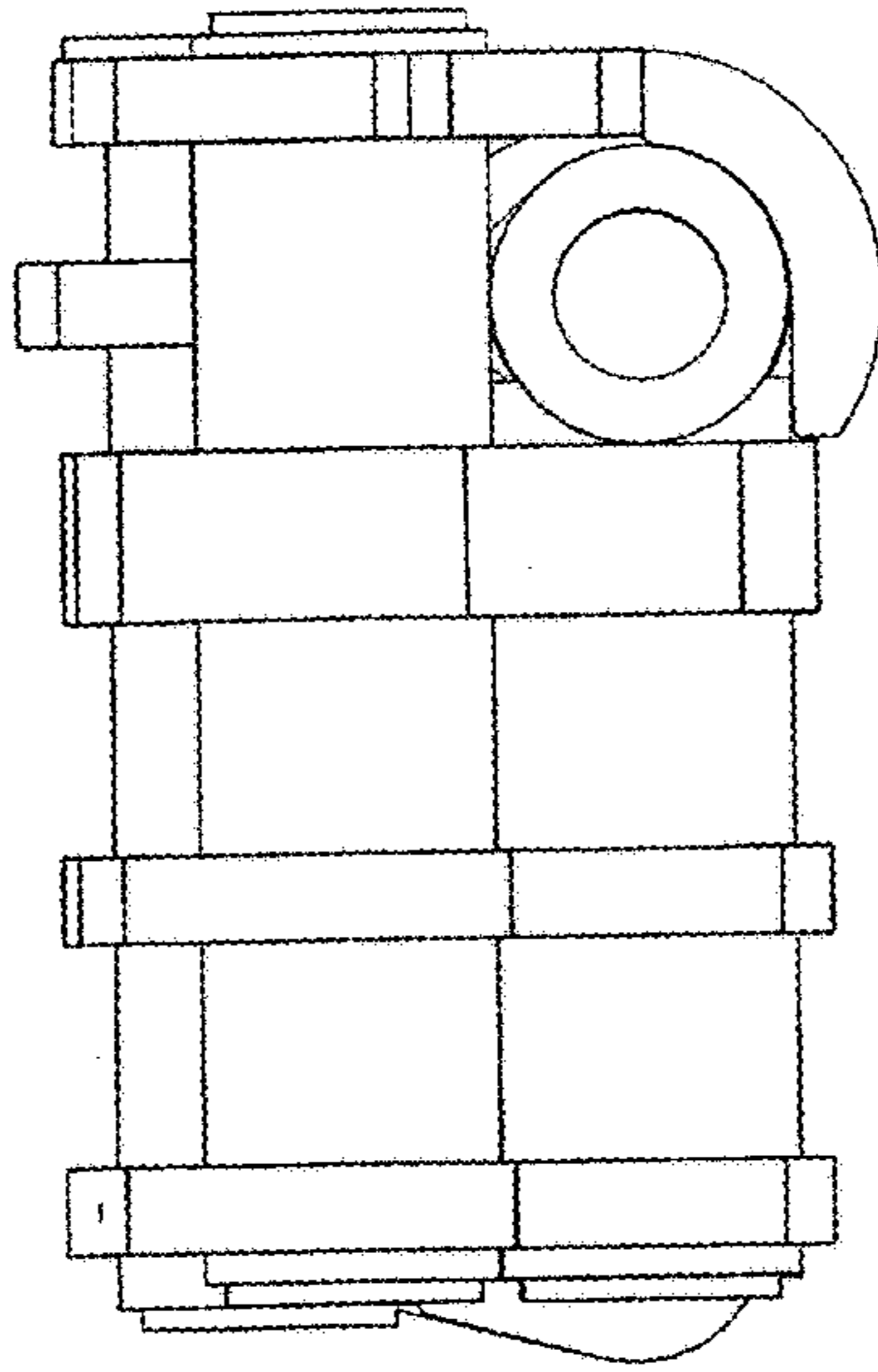


FIG. 8