



US00D782544S

(12) **United States Design Patent**
Seto et al.

(10) **Patent No.:** **US D782,544 S**
(45) **Date of Patent:** **** Mar. 28, 2017**

(54) **PULLEY WITH FAN FUNCTION**
(71) Applicant: **SATAKE CORPORATION**, Tokyo
(JP)
(72) Inventors: **Yasuyoshi Seto**, Hiroshima (JP);
Kazuto Nonaka, Hiroshima (JP);
Yasunori Koike, Hiroshima (JP)
(73) Assignee: **Satake Corporation** (JP)

D320,927 S * 10/1991 Kanemitsu D8/360
D347,378 S * 5/1994 Warner D8/360
D436,561 S * 1/2001 Louden D12/123
D459,197 S * 6/2002 Hodjat D8/360
D459,198 S * 6/2002 Hodjat D8/360

(Continued)

Primary Examiner — Mark Goodwin
(74) *Attorney, Agent, or Firm* — Lerner, David,
Littenberg, Krumholz & Mentlik, LLP

(**) Term: **14 Years**

(57) **CLAIM**

(21) Appl. No.: **29/493,652**

We claim the ornamental design for a pulley with fan function, as shown and described.

(22) Filed: **Jun. 12, 2014**

(30) **Foreign Application Priority Data**

DESCRIPTION

Jan. 16, 2014 (JP) 2014-000687

(51) **LOC (10) Cl.** **15-03**

(52) **U.S. Cl.**
USPC **D15/28; D8/360**

(58) **Field of Classification Search**
USPC D8/360, 399; D15/148, 5, 146, 147, 149,
D15/28; 474/94, 180, 168, 176, 177, 188,
474/8, 29, 31, 37, 39, 41, 47-57, 69, 113,
474/135, 166
CPC . B66D 1/00; F16H 59/00; F16H 55/44; F16H
55/36; Y10T 29/49453; Y10S 474/902
See application file for complete search history.

FIG. 1 is a perspective view of a pulley with fan function showing our new design;
FIG. 2 is a front elevational view thereof, of which the rear, left side, and right side are identical;
FIG. 3 is a bottom plan view thereof;
FIG. 4 is a top plan view thereof; and,
FIG. 5 is a sectional view along line A-A in FIG. 4.

In use, the pulley with fan function embodying the claimed design is mounted on the bottom end of the main shaft of a grain milling machine, and transmits the rotary motion of the motor to the main shaft via a belt while on the other hand the arms of the pulley work as blades of a suction fan to suck bran generated during grain milling in the milling chamber and discharge the bran into a bran exhaust port, thereby promoting the exhaust of bran from the bran exhaust port without providing a specific fan.

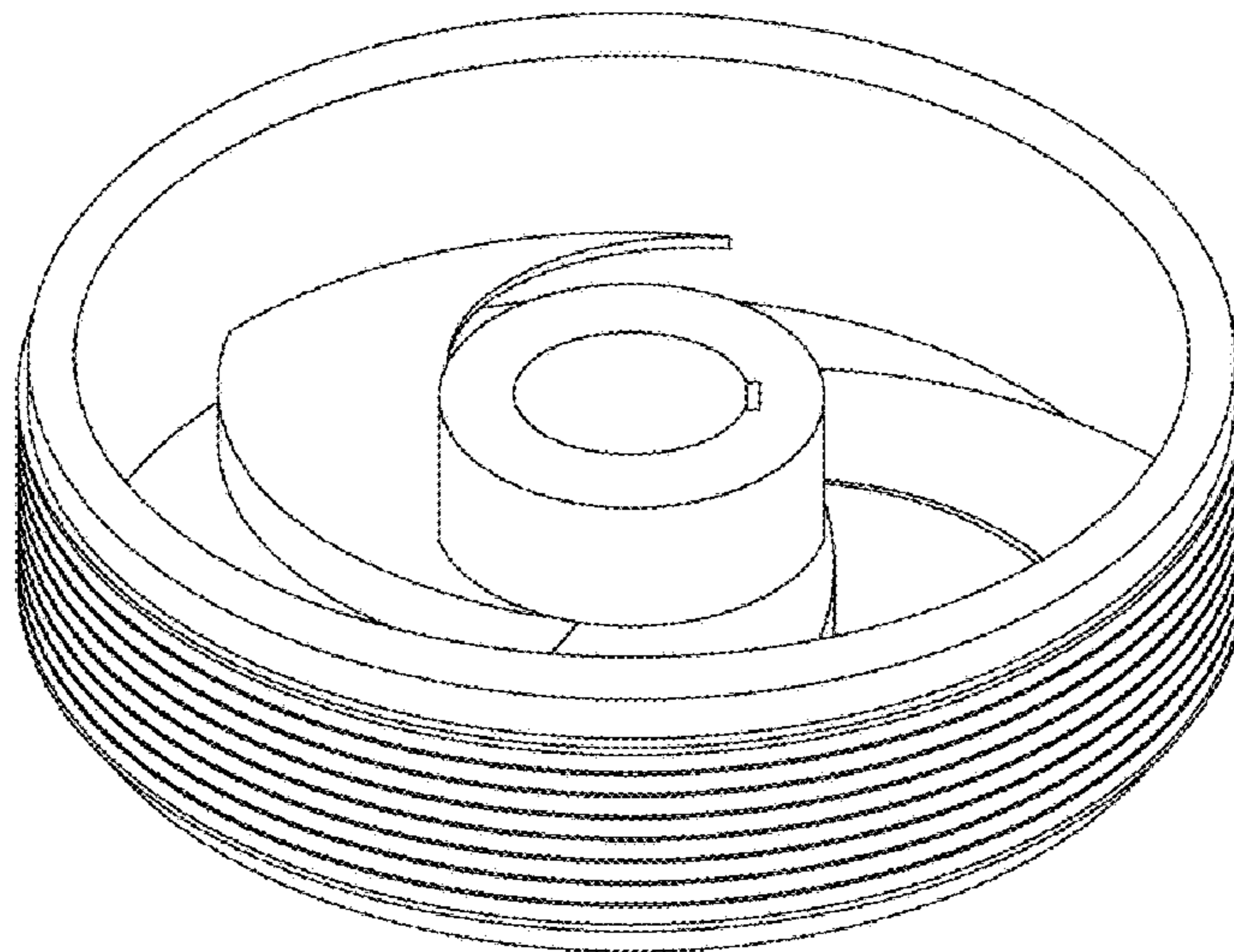
It is to be noted that rear, left side, and right side elevational views of the claimed design are merely duplicative of the front elevational view thereof and are therefore omitted herefrom.

(56) **References Cited**

U.S. PATENT DOCUMENTS

D275,176 S * 8/1984 Kanemitsu D8/360
D277,547 S * 2/1985 Kanemitsu D8/360
D297,707 S * 9/1988 Kanemitsu D8/360
D308,013 S * 5/1990 Kanemitsu D8/360
D313,932 S * 1/1991 Kanemitsu D8/360
D317,709 S * 6/1991 Kanemitsu D8/360

1 Claim, 2 Drawing Sheets



(56)

References Cited

U.S. PATENT DOCUMENTS

D533,052	S	*	12/2006	Hodjat	D8/360
D549,753	S	*	8/2007	Kanemitsu	D15/148
D561,208	S	*	2/2008	Kanemitsu	D15/148
D561,793	S	*	2/2008	Kanemitsu	D15/148
D582,754	S	*	12/2008	Stein	D8/358
D598,480	S	*	8/2009	Kanemitsu	D15/148
D643,702	S	*	8/2011	Kanemitsu	D8/360
D664,834	S	*	8/2012	Handa	D8/360
D716,356	S	*	10/2014	Ayton	D15/149
D738,710	S	*	9/2015	Shin	D8/360
D740,107	S	*	10/2015	Armani	D8/358
D742,214	S	*	11/2015	Yuan	D8/399

* cited by examiner

FIG. 1

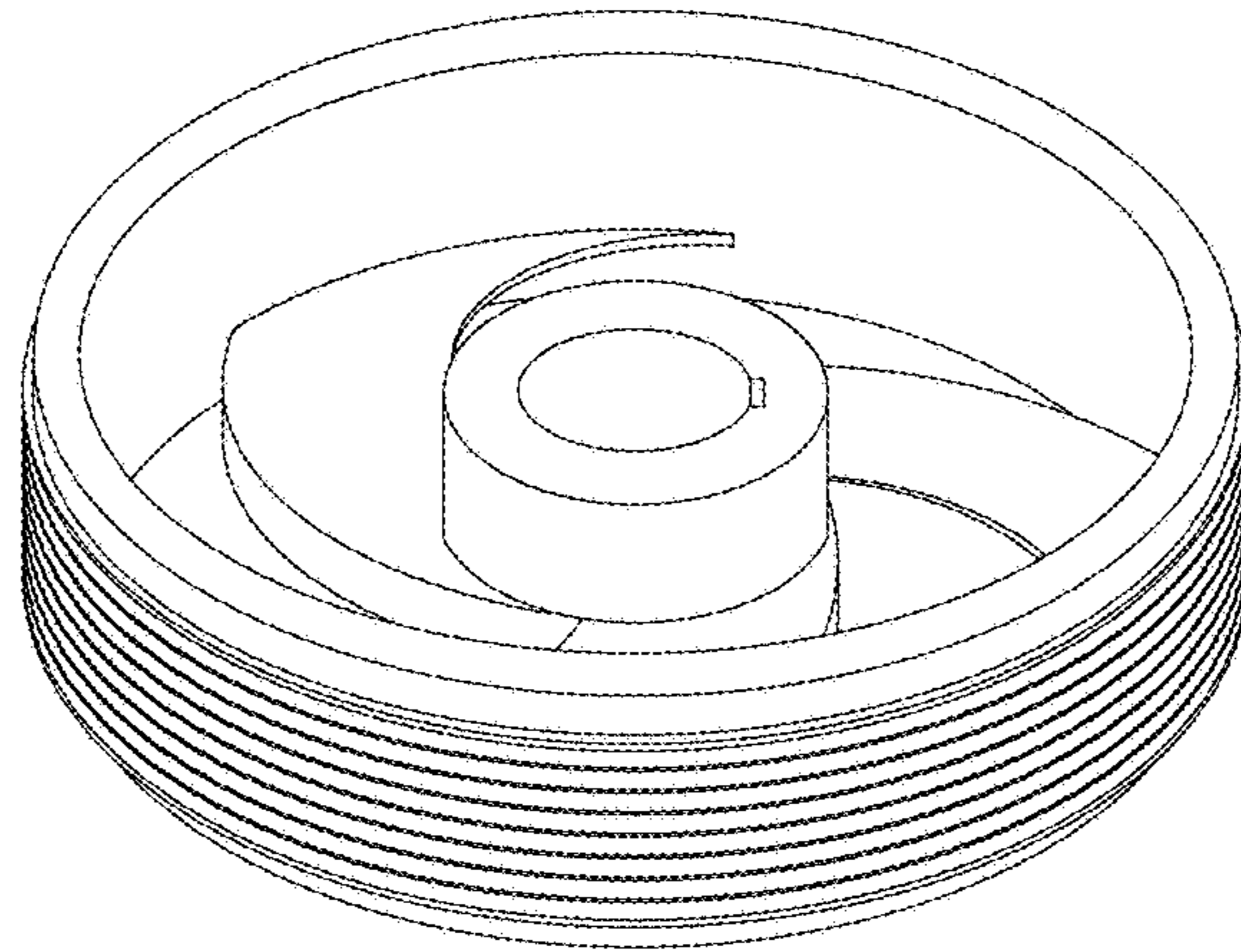


FIG. 2

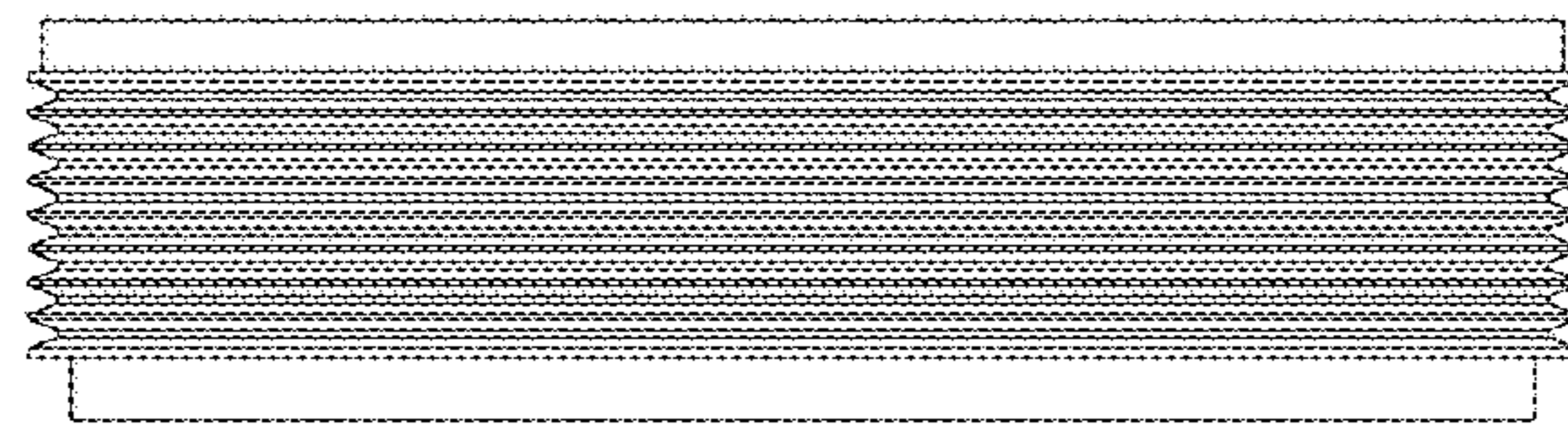


FIG. 3

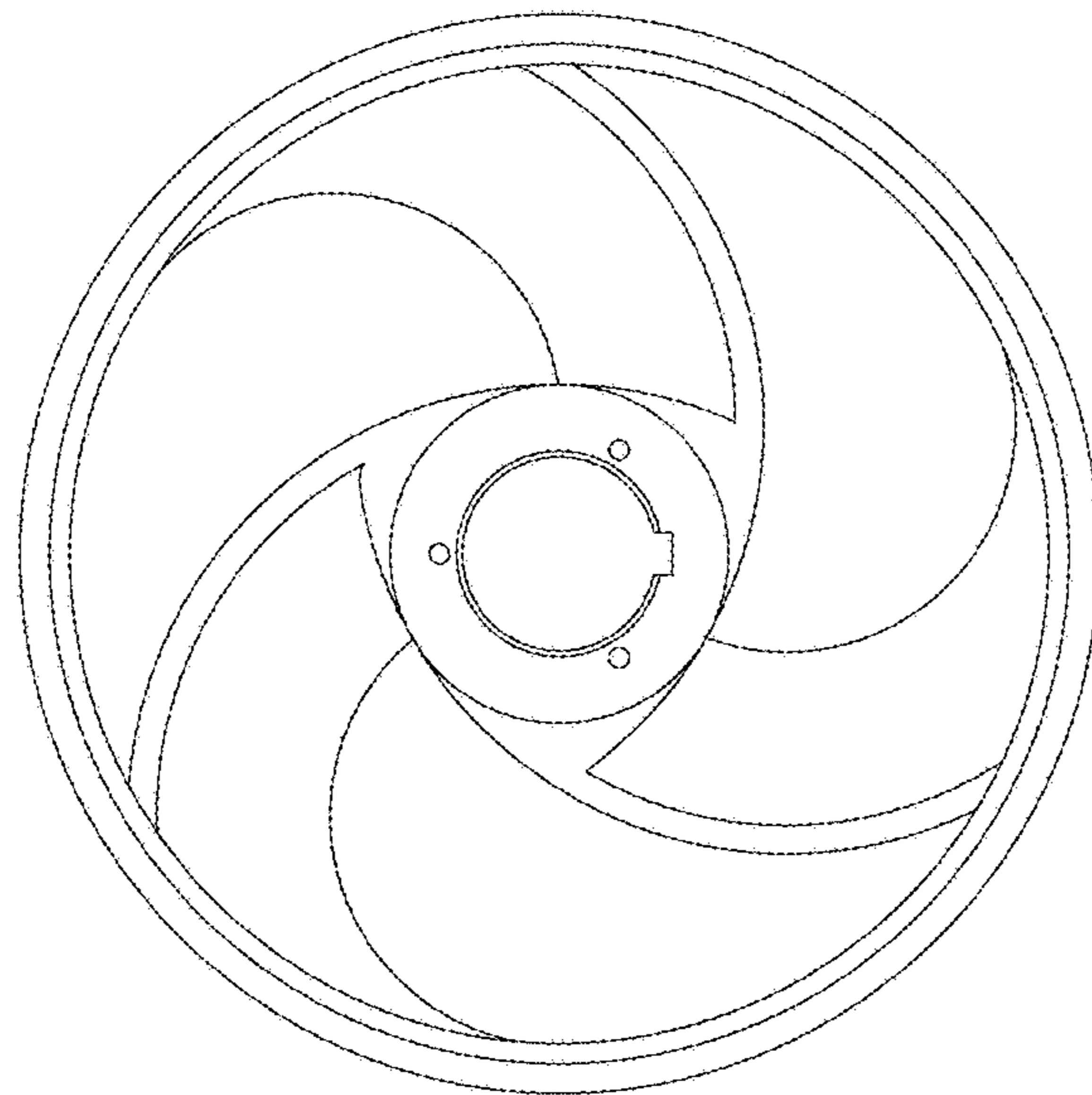


FIG. 4

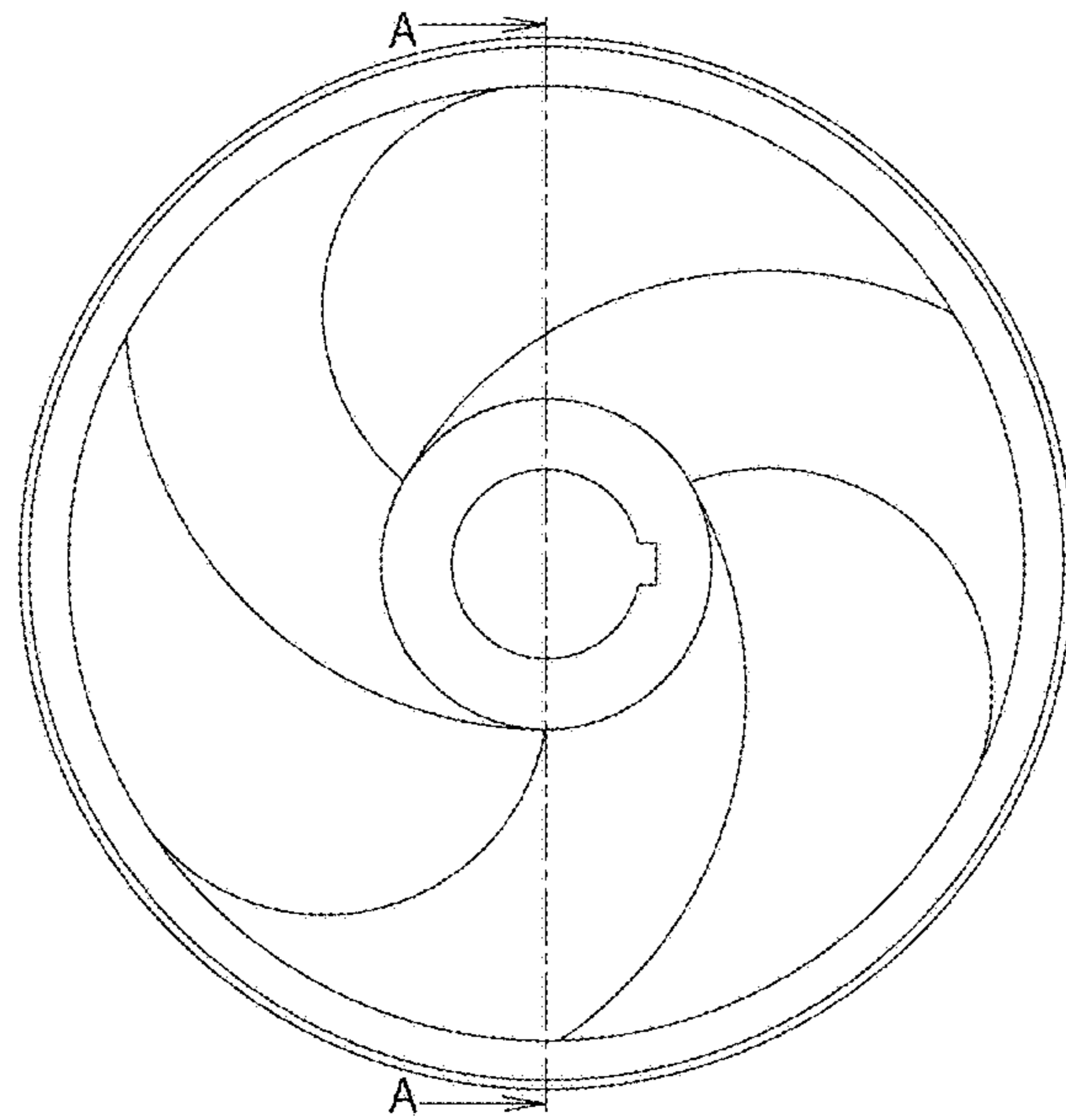


FIG. 5

