



US00D782543S

(12) **United States Design Patent**  
**Hui et al.**

(10) **Patent No.:** **US D782,543 S**  
(45) **Date of Patent:** **\*\* Mar. 28, 2017**

(54) **PLENUM FOR A PNEUMATIC DISTRIBUTION SYSTEM**

2400/04; F02D 35/0007; F02D 35/023;  
F02D 35/024; F02D 35/027; F02D  
41/0062; F02D 41/0077; F02D

(71) Applicant: **CNH Industrial Canada, Ltd.**,  
Saskatoon (CA)

(Continued)

(72) Inventors: **Ka Po Catherine Hui**, Saskatoon (CA);  
**Martin J. Roberge**, Saskatoon (CA);  
**Dennis George Thompson**, Saskatoon  
(CA)

(56)

**References Cited**

U.S. PATENT DOCUMENTS

D404,361 S \* 1/1999 Kellstedt ..... D13/147  
D407,376 S \* 3/1999 Copeland ..... D13/147  
D686,161 S \* 7/2013 Richards ..... D13/147

(Continued)

(73) Assignee: **CNH Industrial Canada, Ltd.**,  
Saskatoon, Saskatchewan (CA)

OTHER PUBLICATIONS

(\*\*) Term: **15 Years**

U.S. Appl. No. 14/932,250, filed Nov. 4, 2015, Ka Po Catherine Hui.

(21) Appl. No.: **29/544,480**

(Continued)

(22) Filed: **Nov. 4, 2015**

*Primary Examiner* — Ian Simmons

(51) **LOC (10) Cl.** ..... **15-07**

*Assistant Examiner* — Khawaja Anwar

(52) **U.S. Cl.**

(74) *Attorney, Agent, or Firm* — Rebecca L. Henkel;  
Rickard K. DeMille

USPC ..... **D15/21**

(58) **Field of Classification Search**

(57) **CLAIM**

The ornamental design for a plenum for a pneumatic distribution system, as shown and described.

USPC ..... D15/21, 28, 150, 199; D13/155, 147,  
D13/154, 184, 199; D7/700, 667, 668,  
D7/213; D8/1, 499; D23/209, 233, 499;  
D24/121, 122, 123; D99/99

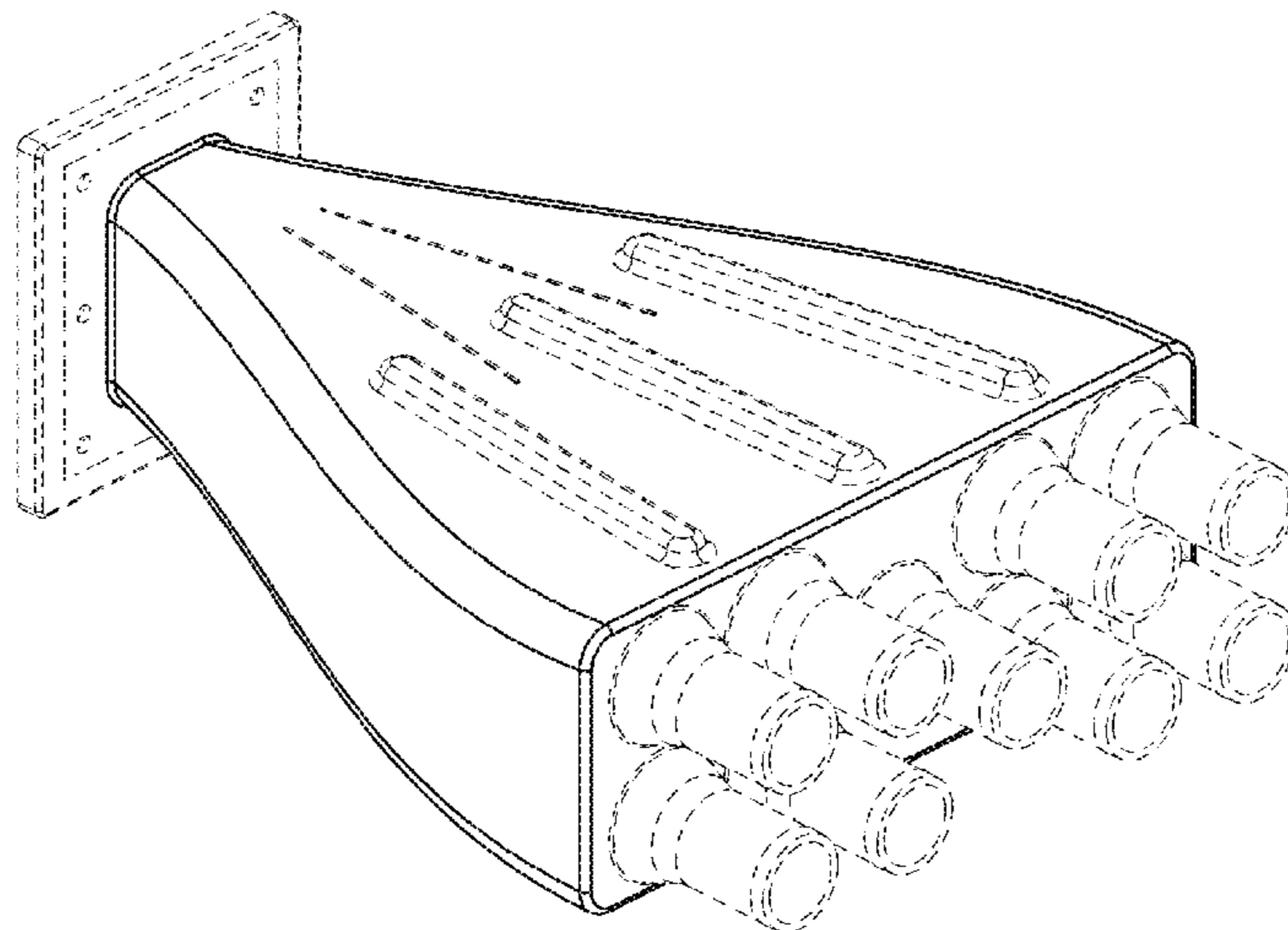
**DESCRIPTION**

CPC ..... F02D 41/0007; F02D 23/00; F02D  
2200/0406; F02D 41/10; F02D 41/0002;  
F02D 41/0072; F02D 41/18; F02D 41/22;  
F02D 2041/001; F02D 2250/18; F02D  
41/0055; F02D 41/0087; F02D 41/064;  
F02D 2009/0266; F02D 2200/0402; F02D  
2200/0414; F02D 2200/0418; F02D  
2200/101; F02D 2200/602; F02D  
2250/16; F02D 35/02; F02D 41/0005;  
F02D 41/0052; F02D 41/0065; F02D  
41/023; F02D 41/024; F02D 41/045;  
F02D 41/1401; F02D 41/1454; F02D  
9/04; F02D 2200/0812; F02D 2200/1012;  
F02D 2200/703; F02D 2250/28; F02D

FIG. 1 is a perspective view of a plenum for a pneumatic distribution system, showing our new design;  
FIG. 2 is a top plan view thereof;  
FIG. 3 is a bottom plan view thereof;  
FIG. 4 is a right side elevation view thereof;  
FIG. 5 is a left side elevation view thereof;  
FIG. 6 is a front elevation view thereof; and,  
FIG. 7 is a back elevation view thereof.

The broken line in the figure drawings represents unclaimed environment only and forms no part of the claimed design.

**1 Claim, 4 Drawing Sheets**



(58) **Field of Classification Search**

CPC ..... 41/0082; F02D 41/097; F02D 41/0225;  
F02D 41/029

See application file for complete search history.

(56) **References Cited**

U.S. PATENT DOCUMENTS

D702,645 S \* 4/2014 Hori ..... D13/147  
D713,221 S \* 9/2014 Meyer ..... D8/1  
D713,794 S \* 9/2014 Katayanagi ..... D13/147  
D723,469 S \* 3/2015 Morris ..... D13/147  
D739,833 S \* 9/2015 Hanazeder ..... D13/184  
D747,922 S \* 1/2016 Borovicka ..... D7/402  
D755,728 S \* 5/2016 Smith ..... D13/155  
D768,084 S \* 10/2016 Rodriguez ..... D13/147  
D768,730 S \* 10/2016 Kunz ..... D15/28

OTHER PUBLICATIONS

U.S. Appl. No. 15/055,794, filed Feb. 29, 2016, Ka Po Catherine Hui.

U.S. Appl. No. 29/556,179, filed Feb. 29, 2016, Ka Po Catherine Hui.

U.S. Appl. No. 29/556,185, filed Feb. 29, 2016, Ka Po Catherine Hui.

\* cited by examiner

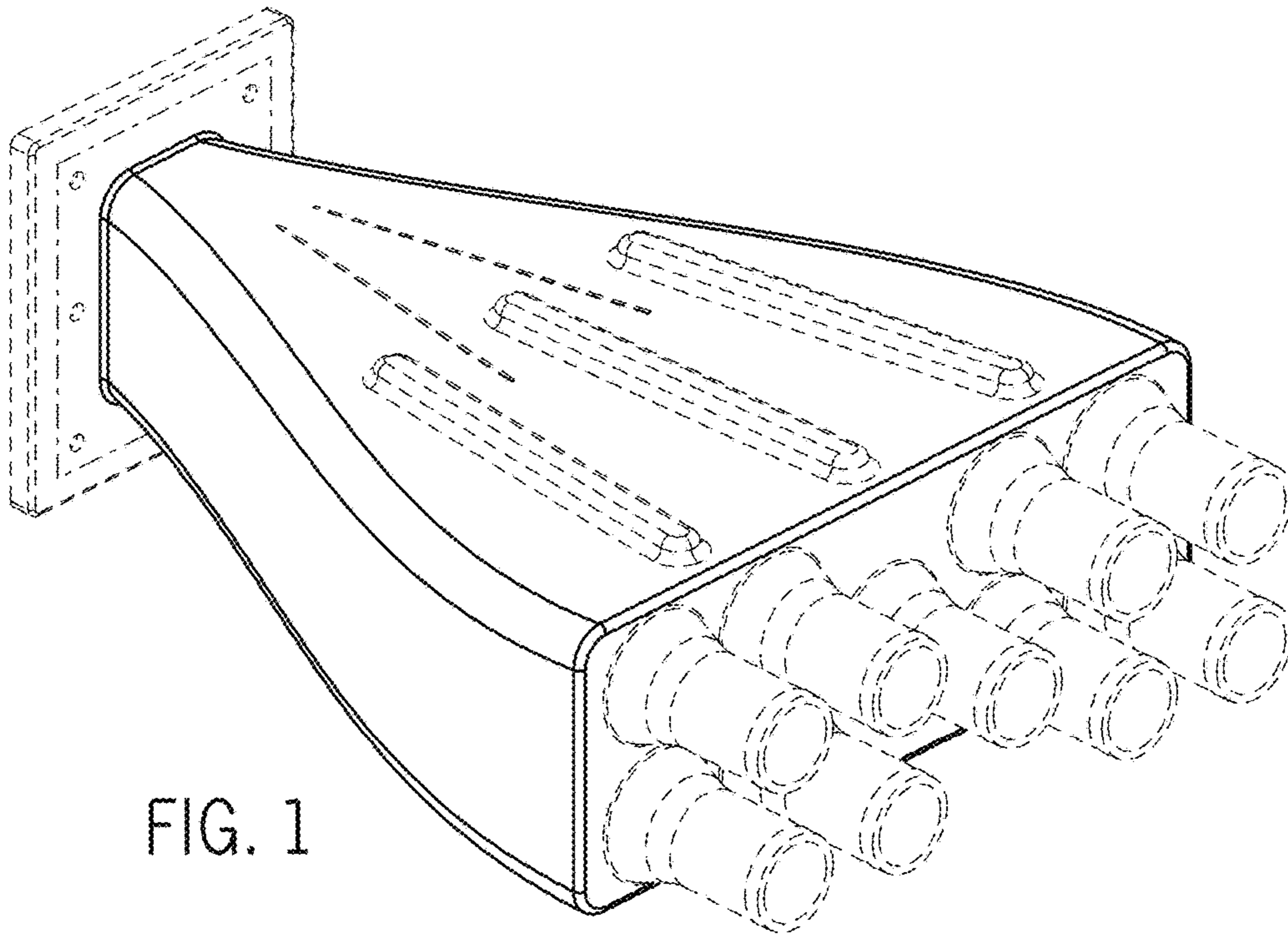


FIG. 1

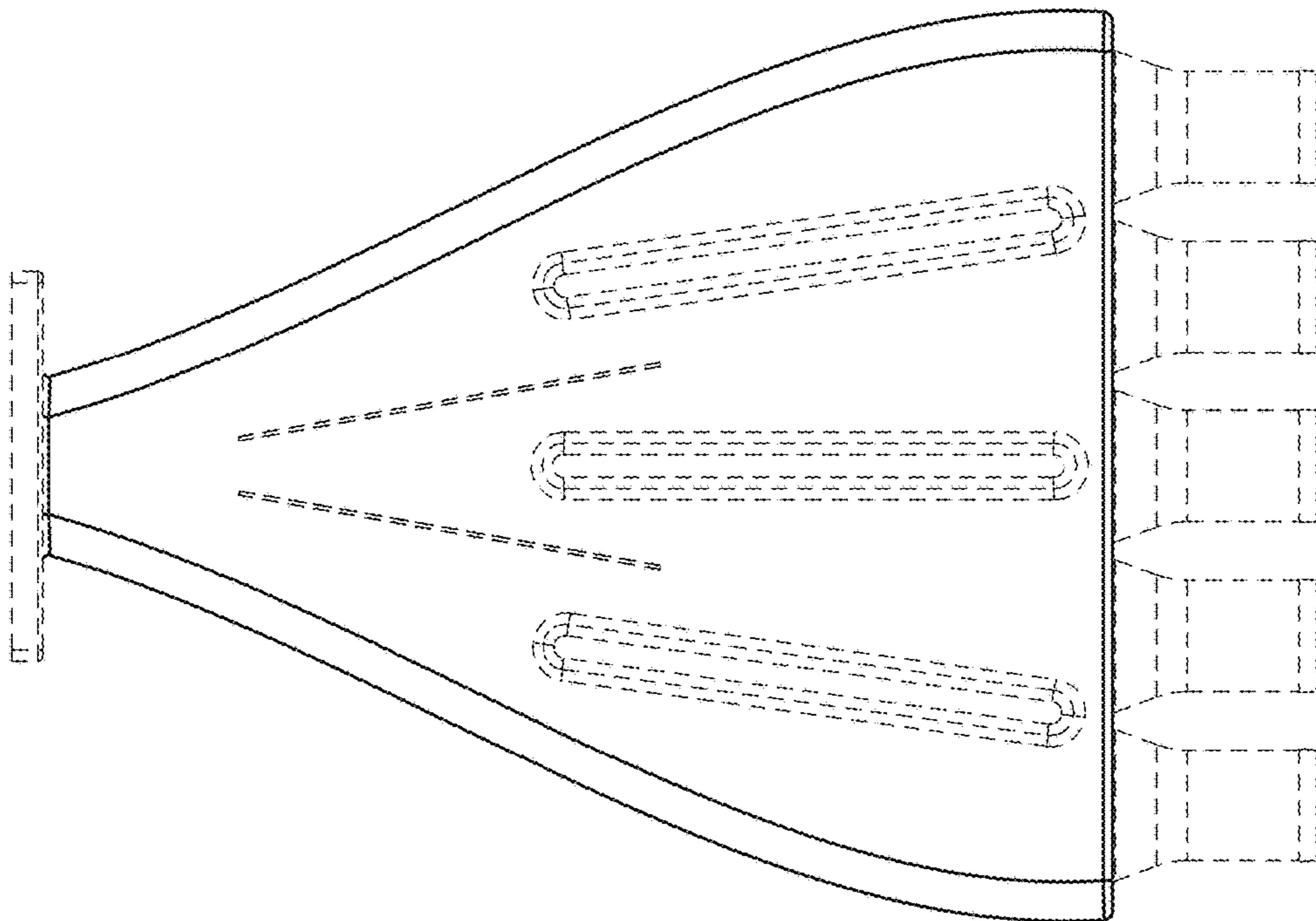


FIG. 2

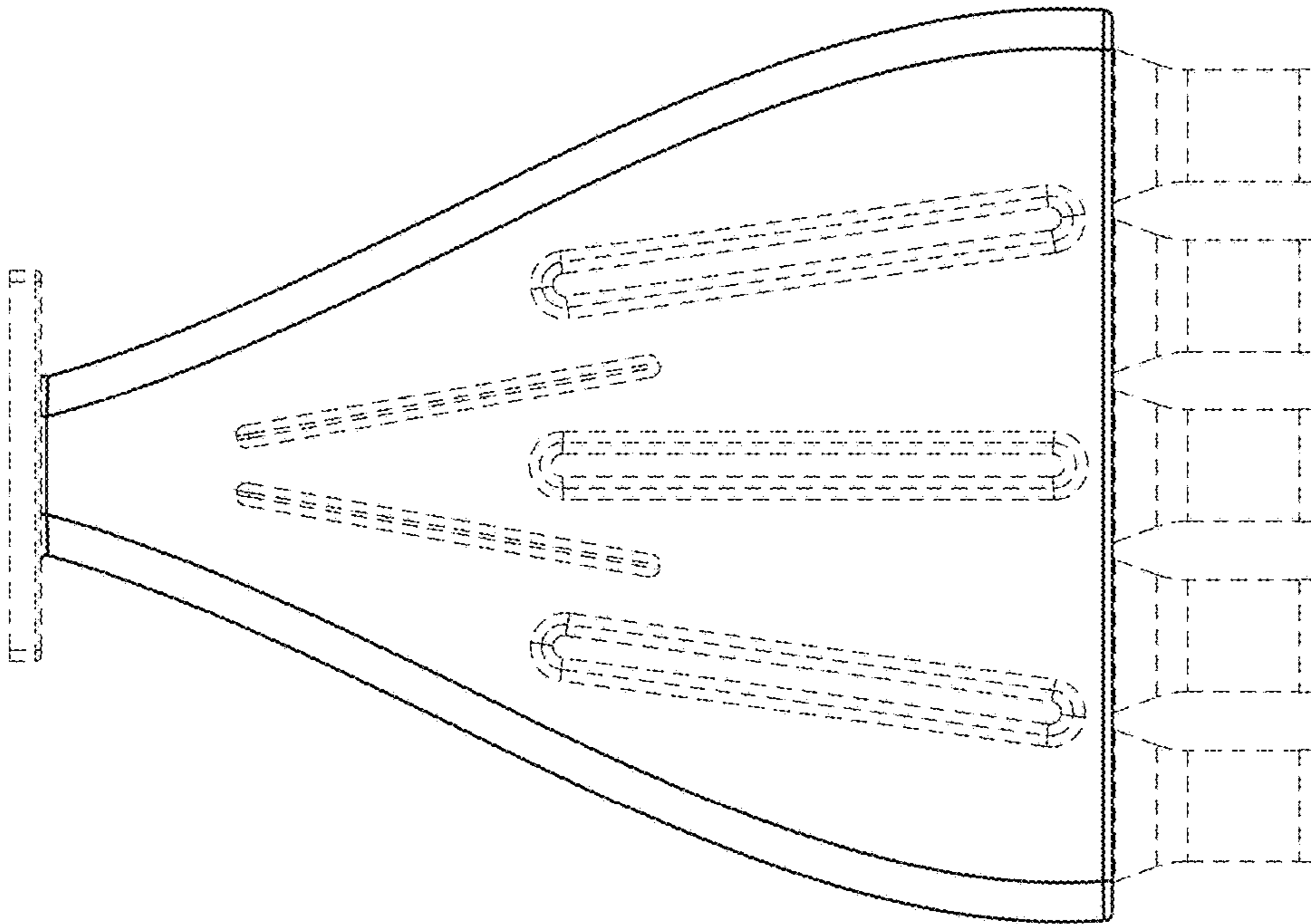


FIG. 3

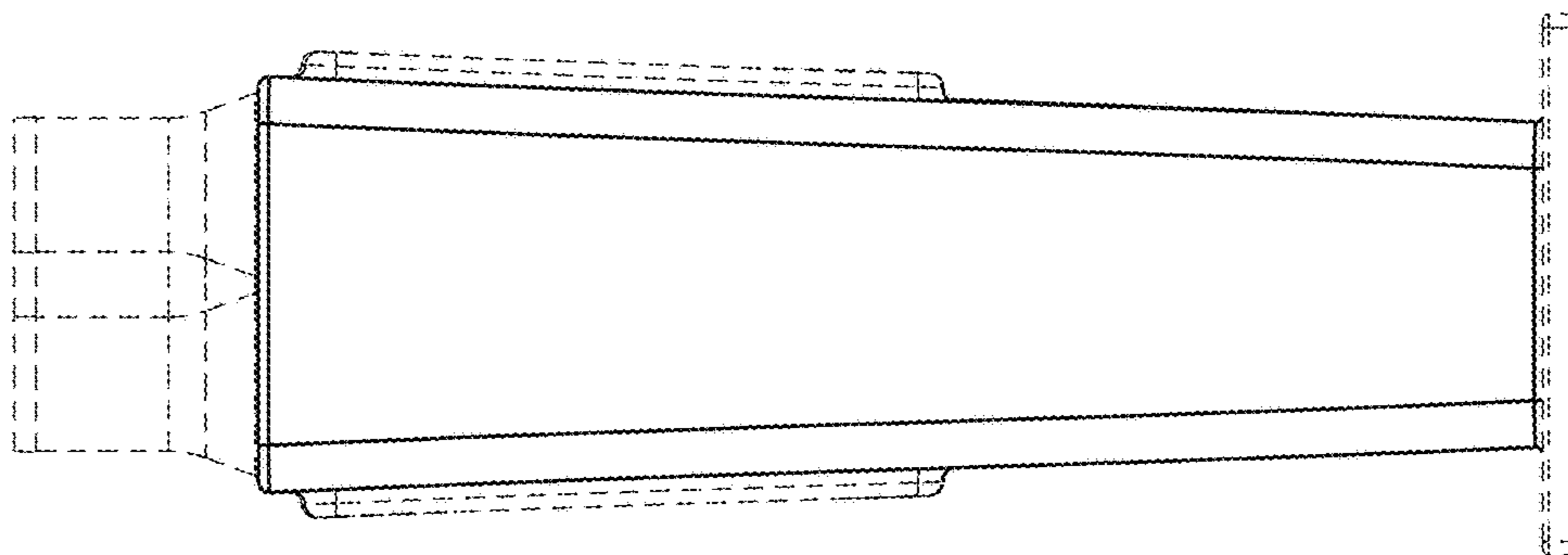


FIG. 4



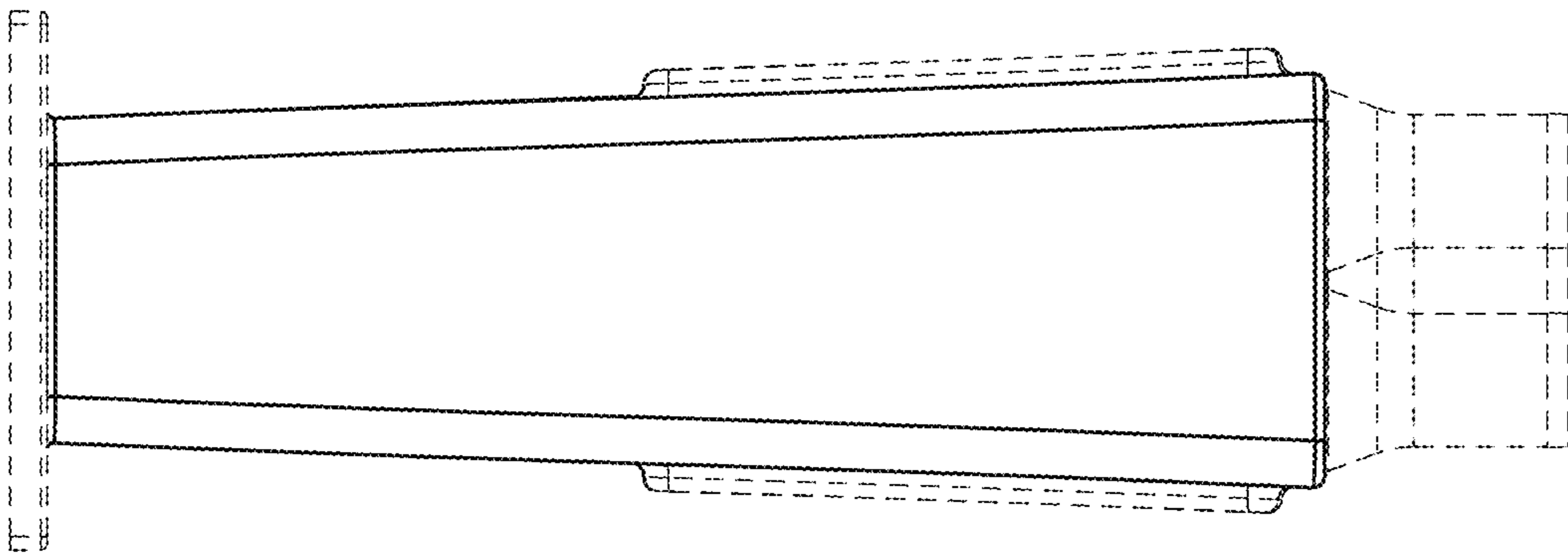


FIG. 5

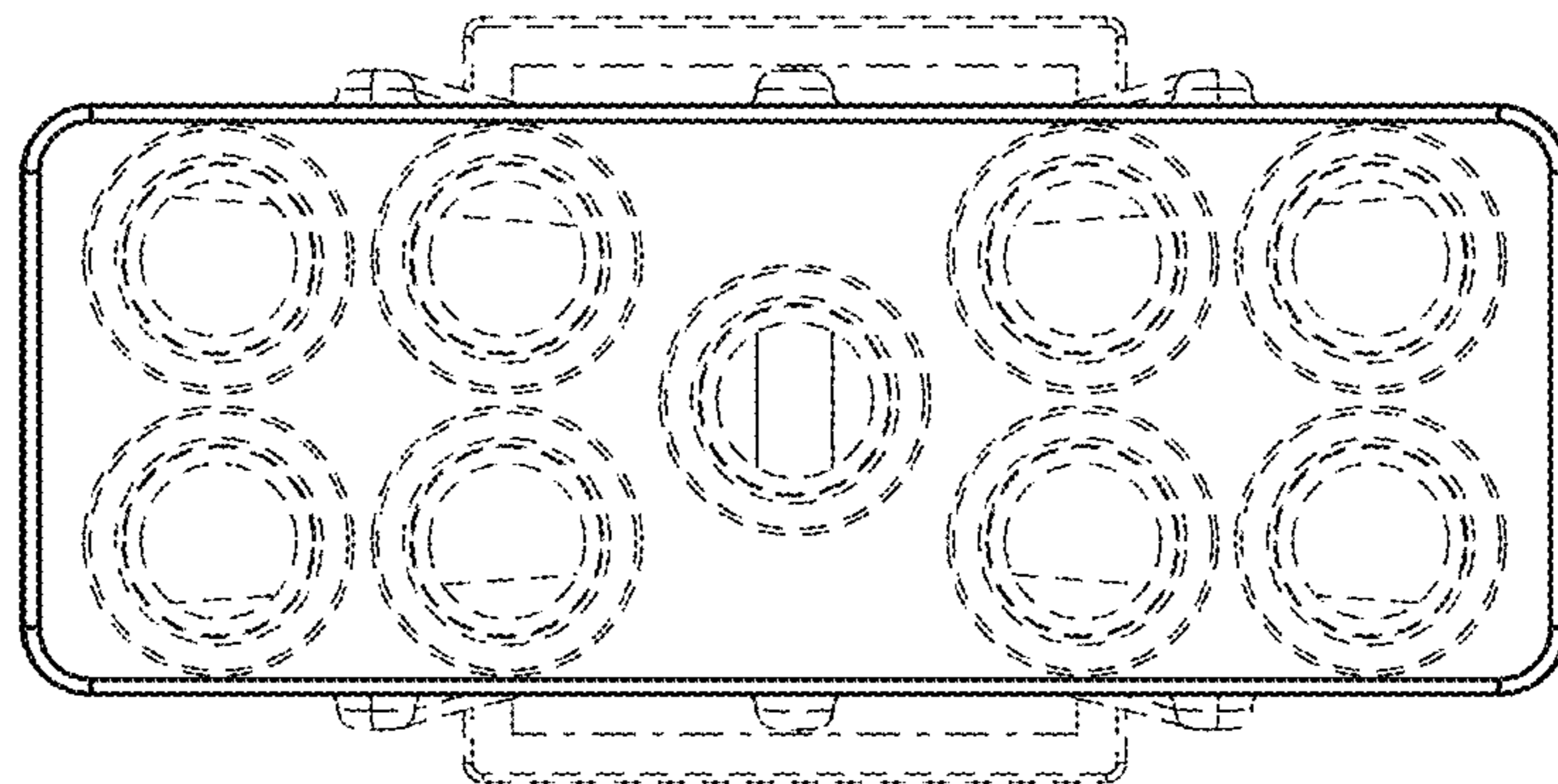


FIG. 6

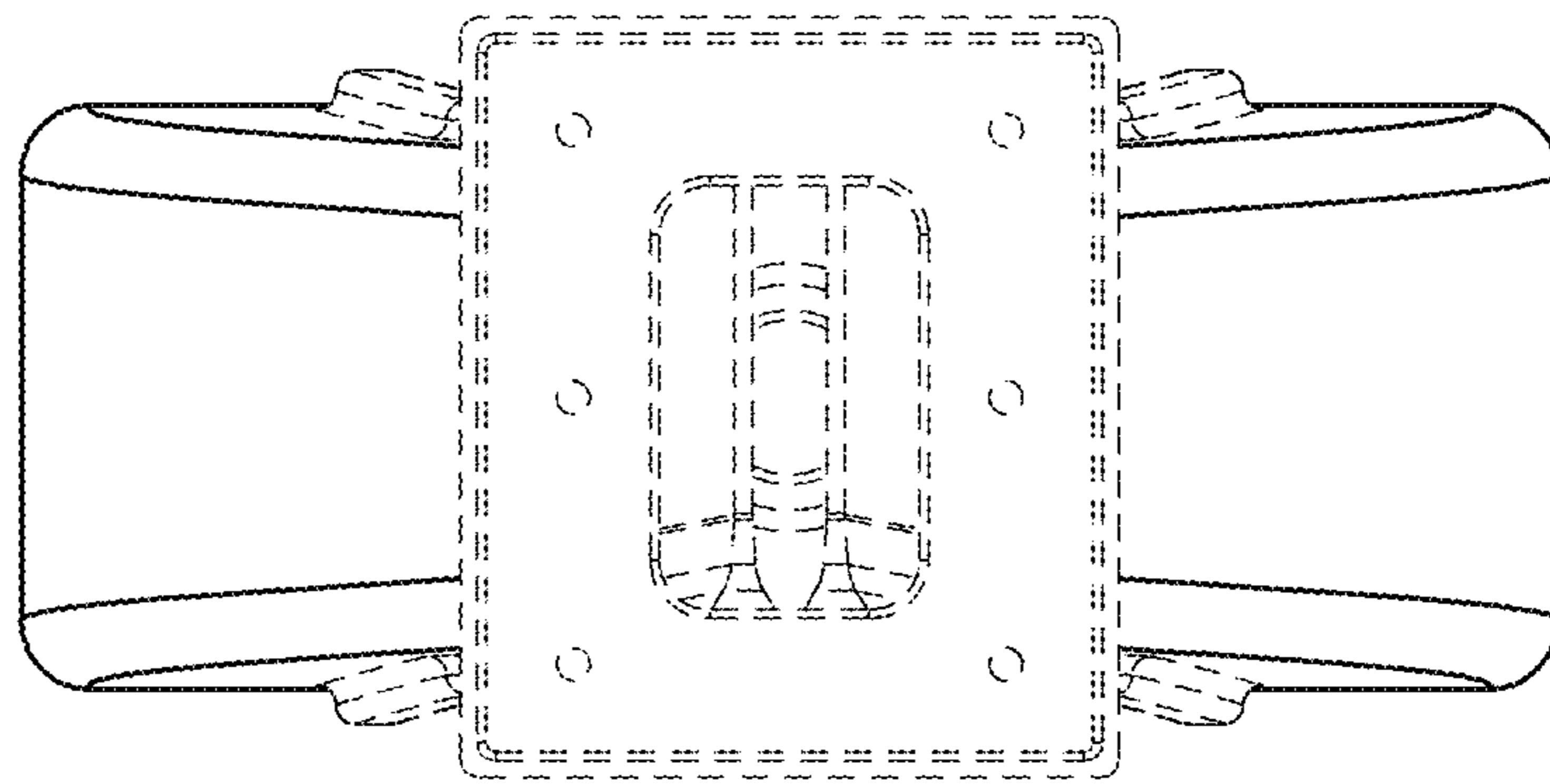


FIG. 7