



US00D782542S

(12) **United States Design Patent**  
**Holland, Jr. et al.**

(10) **Patent No.:** **US D782,542 S**  
(45) **Date of Patent:** **\*\* Mar. 28, 2017**

(54) **HINGED BONNET FOR A BLOWOUT PREVENTER**

(71) Applicant: **Axon EP, Inc.**, Houston, TX (US)

(72) Inventors: **William Rinehart Holland, Jr.**, Spring, TX (US); **Jess W. Shows**, Houston, TX (US); **Bradford S. Franks**, Alvin, TX (US)

(73) Assignee: **Axon Pressure Products, Inc.**, Houston, TX (US)

(\*\*) Term: **15 Years**

(21) Appl. No.: **29/538,730**

(22) Filed: **Sep. 8, 2015**

(51) **LOC (10) Cl.** ..... **15-03**

(52) **U.S. Cl.**

USPC ..... **D15/21**

(58) **Field of Classification Search**

USPC ..... D15/10, 21, 28, 199

CPC ..... E21B 25/02; E21B 25/00; E21B 21/103;

E21B 10/02; E21B 21/003; E21B 49/02;

E21B 4/18; E21B 10/48; E21B 23/01;

E21B 33/138; E21B 49/06; E21B 10/32;

E21B 10/322; E21B 17/1021; E21B

21/08; E21B 21/10; E21B 23/00; E21B

44/00; E21B 7/061; E21B 7/067; E21B

7/20; E21B 7/24; E21B 10/04; E21B

10/18; E21B 10/26; E21B 10/325; E21B

10/38; E21B 10/43; E21B 10/46; E21B

10/54; E21B 10/55; E21B 10/5673; E21B

10/602; E21B 10/605; E21B 11/005;

E21B 17/00

See application file for complete search history.

(56) **References Cited**

U.S. PATENT DOCUMENTS

D208,725 S \* 9/1967 Danuser ..... D15/21  
5,647,572 A 7/1997 Morrill

D457,534 S \* 5/2002 Kim ..... D15/21  
6,845,959 B2 \* 1/2005 Berckenhoff ..... E21B 33/063  
166/85.4

D521,531 S \* 5/2006 Provines ..... D15/28

D547,775 S \* 7/2007 Tuscuoğlu ..... D15/21

D651,219 S \* 12/2011 Hall ..... D15/21

D664,566 S \* 7/2012 Drenth ..... D15/21

D664,567 S \* 7/2012 Drenth ..... D15/21

8,408,514 B2 4/2013 Yadav

(Continued)

*Primary Examiner* — Ian Simmons

*Assistant Examiner* — Khawaja Anwar

(74) *Attorney, Agent, or Firm* — Baker Botts L.L.P.

(57) **CLAIM**

The ornamental design for a hinged bonnet for a blowout preventer, as shown and described.

**DESCRIPTION**

FIG. 1 is a perspective view of the ornamental design for the hinged bonnet for a blowout preventer;

FIG. 2 is a front view of the hinged bonnet for a blowout preventer of FIG. 1;

FIG. 3 is a back view of the hinged bonnet for a blowout preventer of FIG. 1;

FIG. 4 is a left side view of the hinged bonnet for a blowout preventer of FIG. 1;

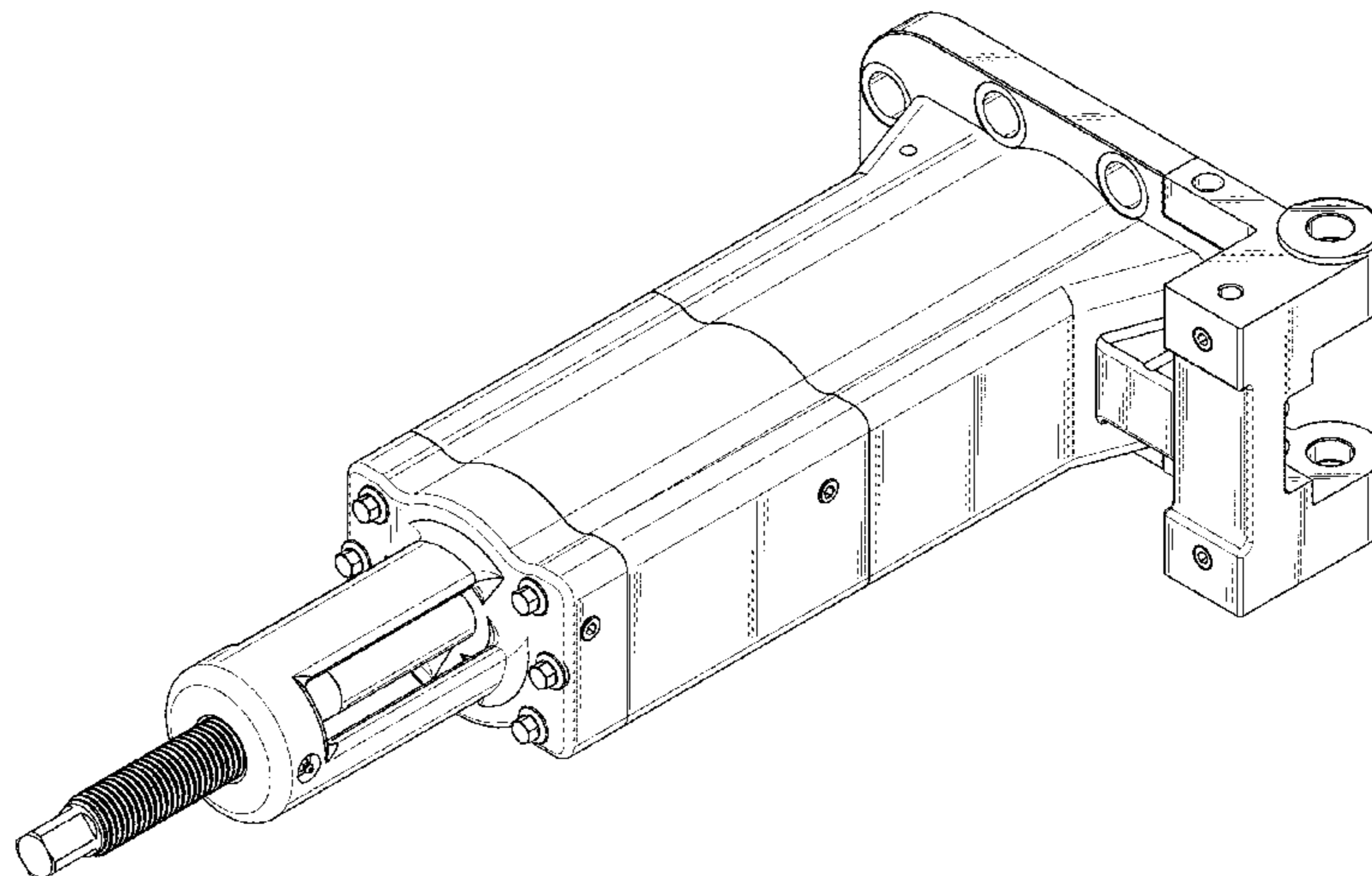
FIG. 5 is a right side view of the hinged bonnet for a blowout preventer of FIG. 1;

FIG. 6 is a top view of the hinged bonnet for a blowout preventer of FIG. 1; and,

FIG. 7 is a bottom view of the hinged bonnet for a blowout preventer of FIG. 1.

In these drawings, the solid lines illustrate the claimed ornamental design, whereas any broken lines illustrate environmental features that form no part of the claimed ornamental design.

**1 Claim, 6 Drawing Sheets**



(56)

**References Cited**

U.S. PATENT DOCUMENTS

D699,267 S \* 2/2014 Nelson ..... D15/21  
D709,530 S \* 7/2014 Hutchinson ..... D15/28  
8,869,918 B2 \* 10/2014 Drenth ..... E21B 49/02  
175/263  
9,004,157 B2 \* 4/2015 Pendleton ..... E21B 33/062  
166/85.4  
2007/0295520 A1 \* 12/2007 Comarmond ..... E02D 3/046  
173/90

\* cited by examiner

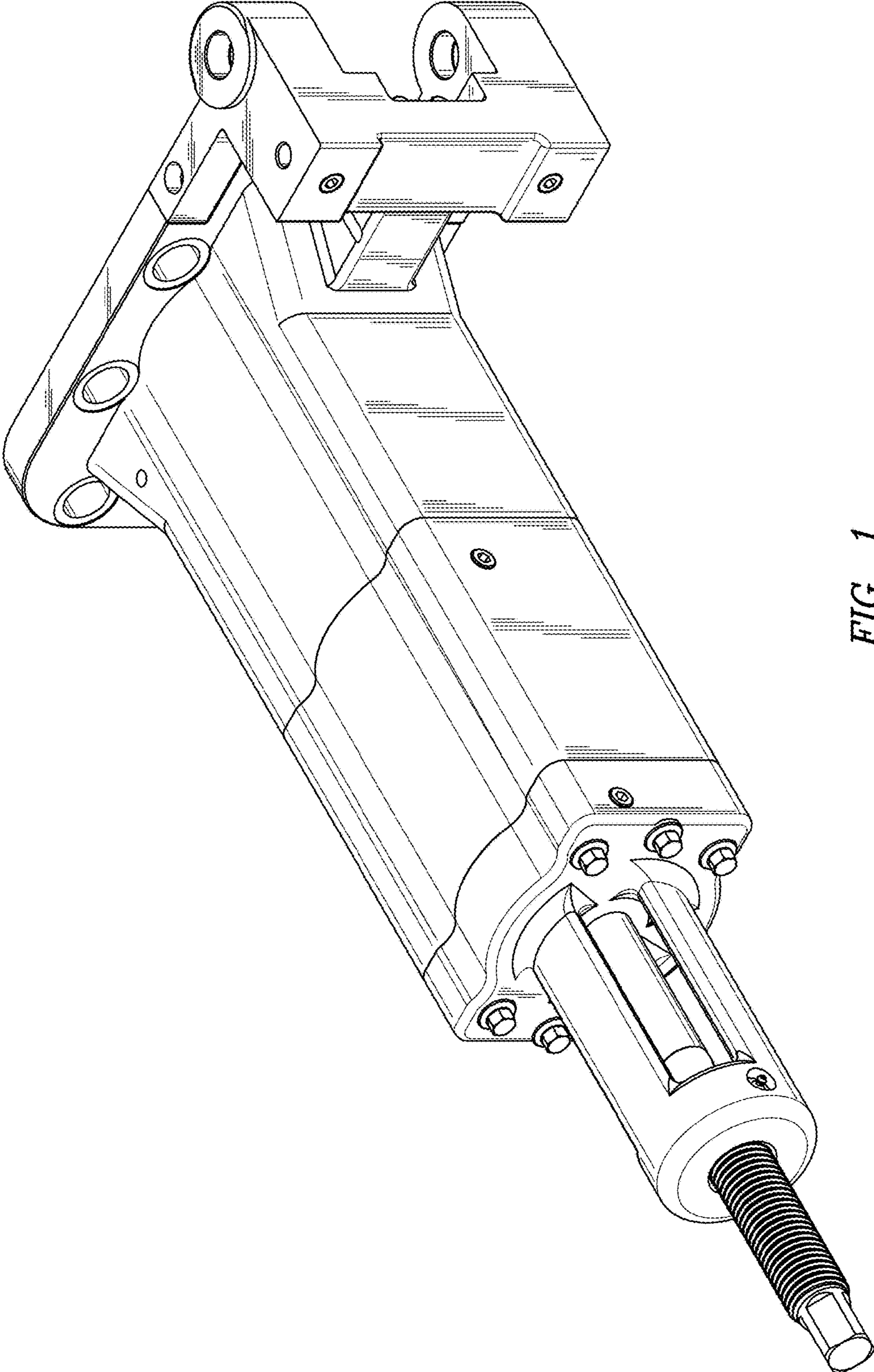
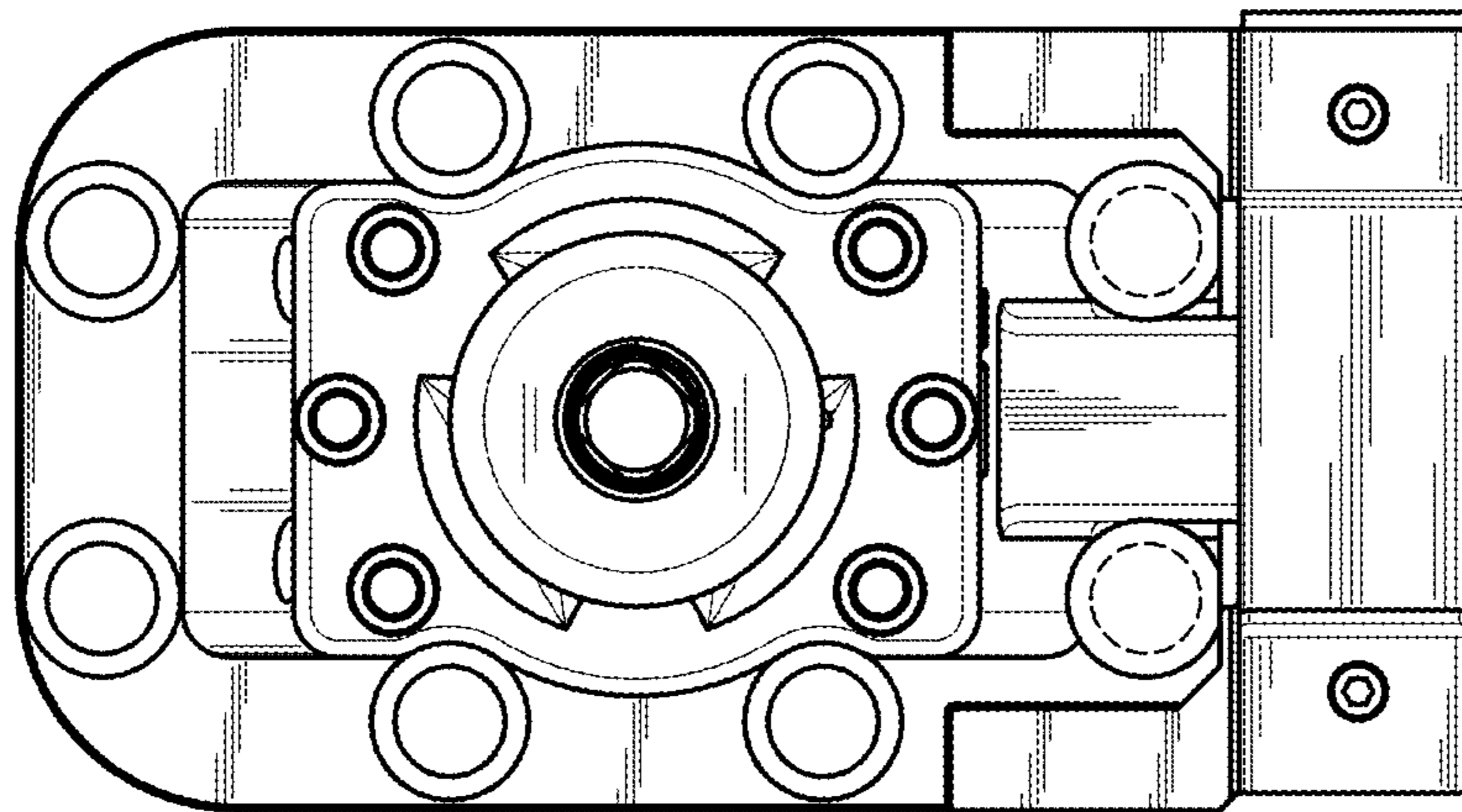
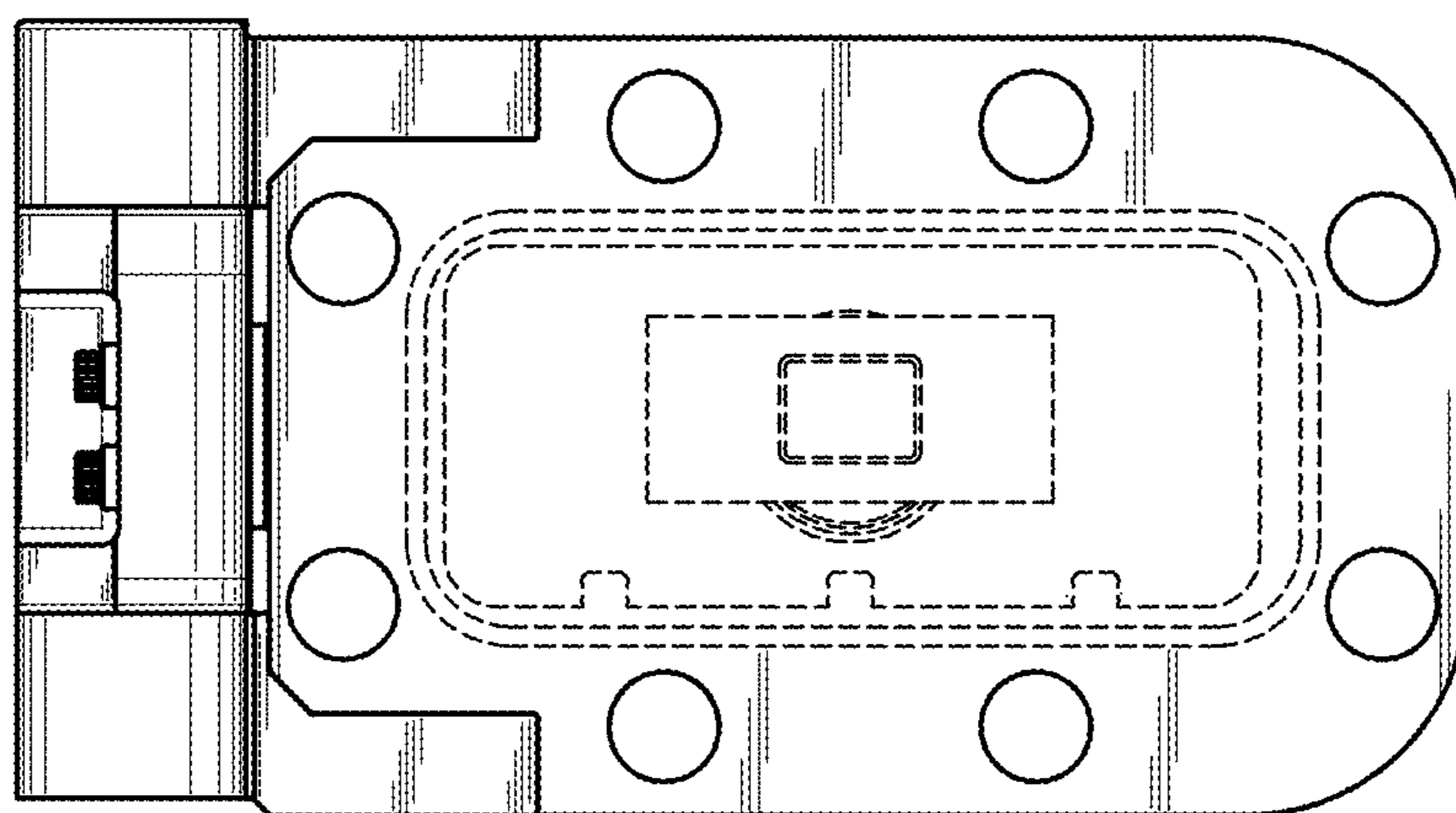


FIG. 1



*FIG. 2*



*FIG. 3*

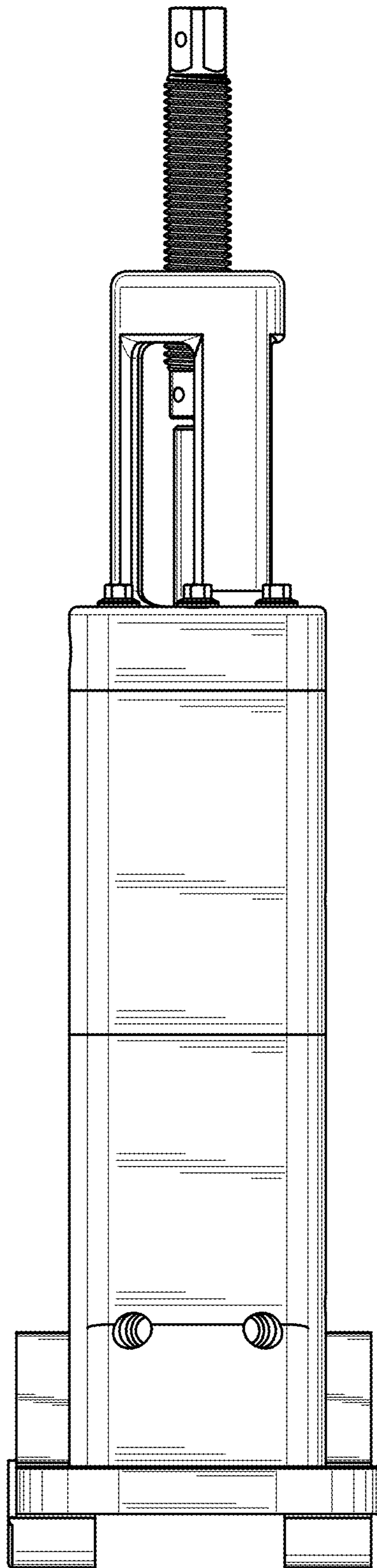


FIG. 4

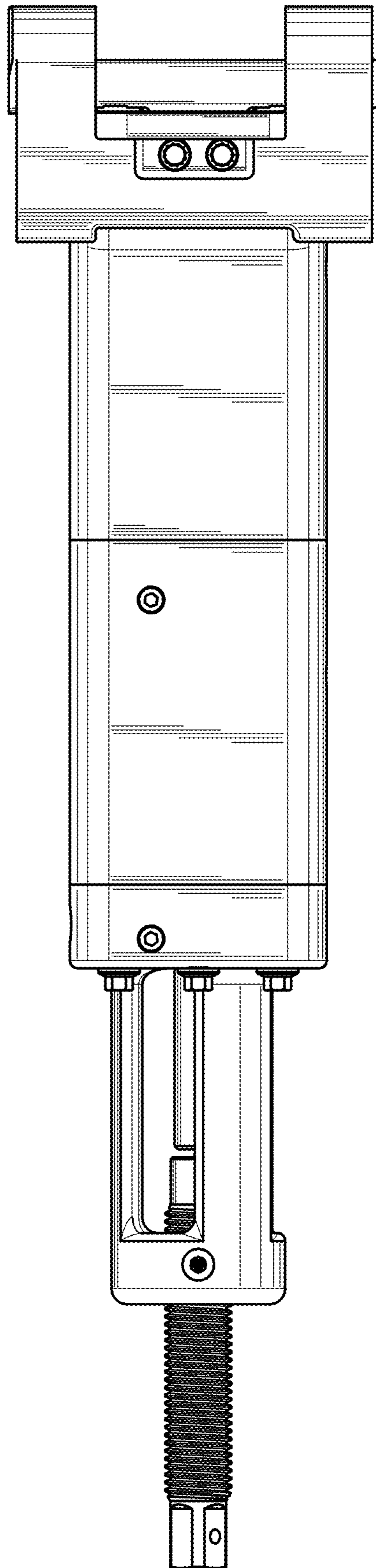


FIG. 5

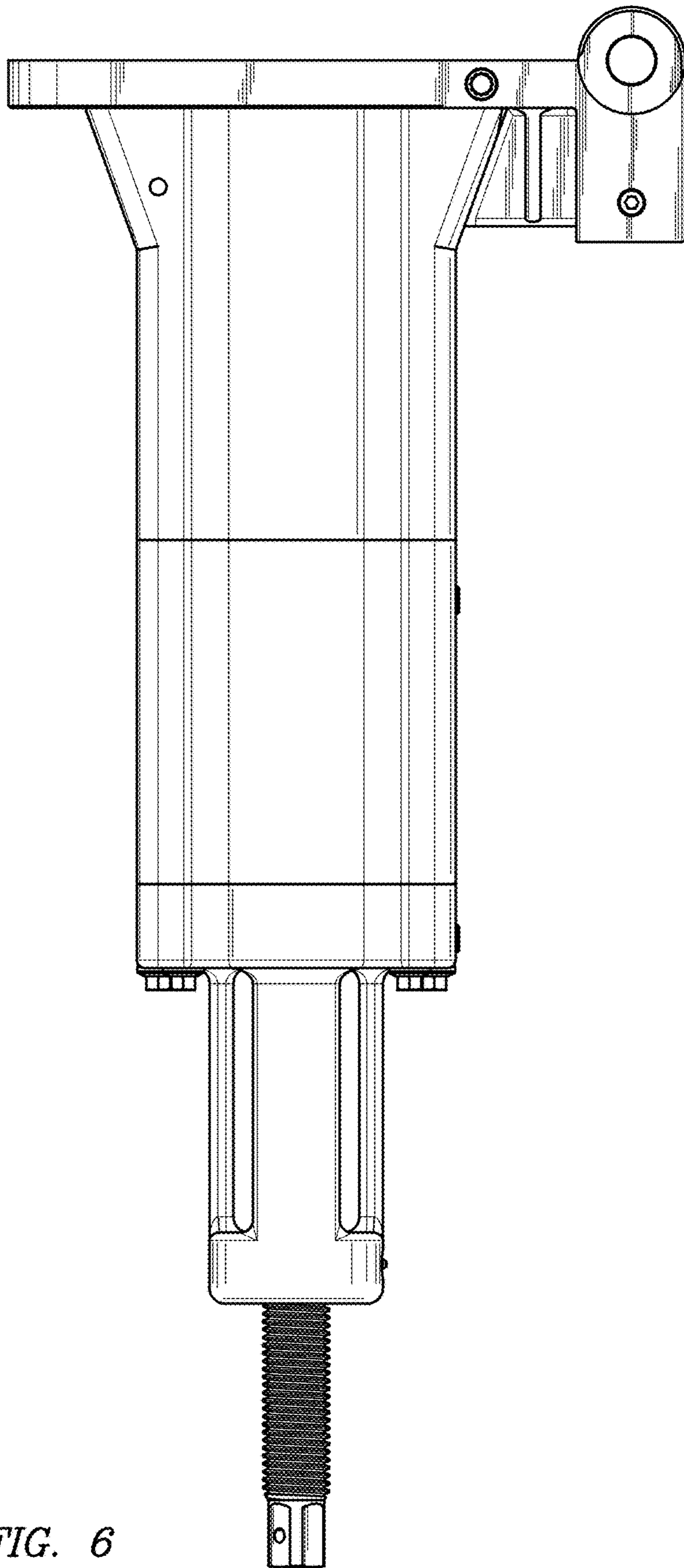


FIG. 6

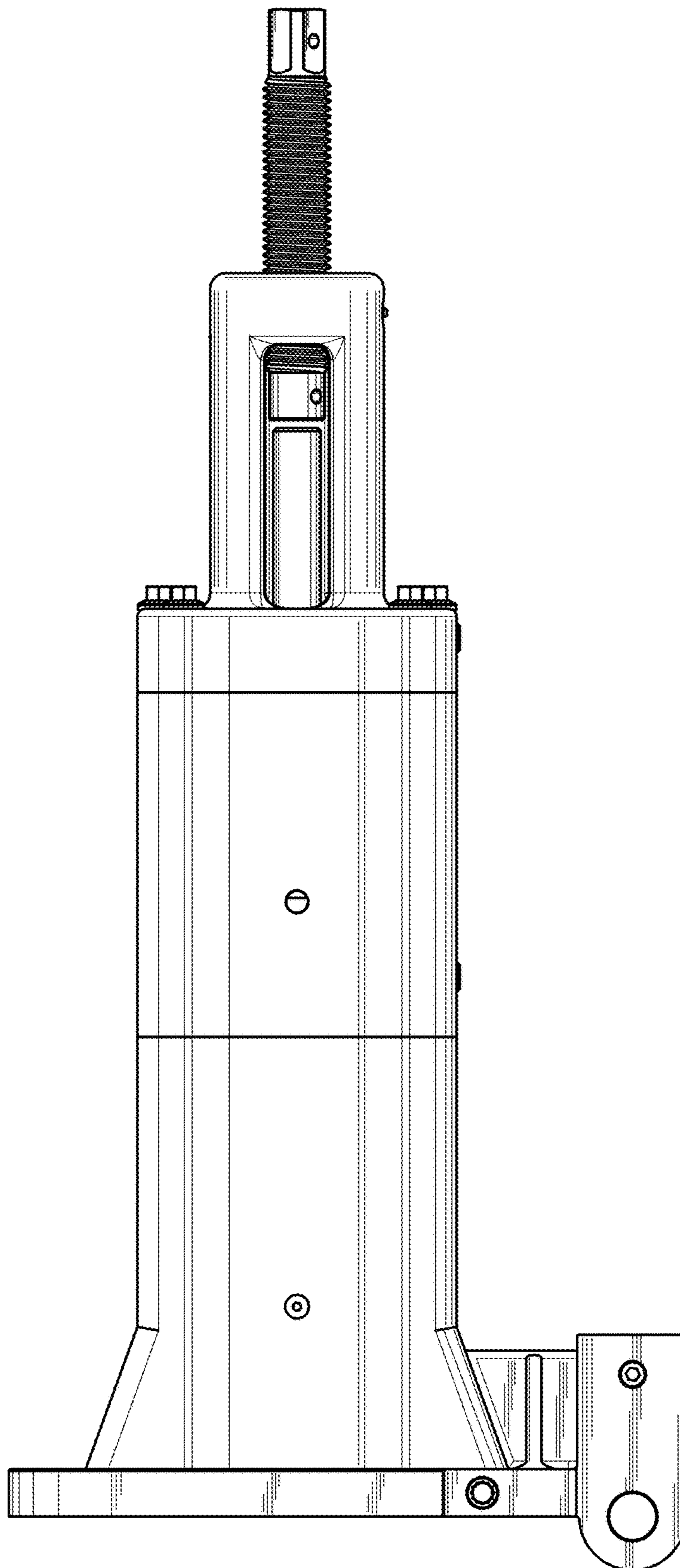


FIG. 7