



US00D782541S

(12) **United States Design Patent**  
**Hines et al.**

(10) **Patent No.:** **US D782,541 S**  
(45) **Date of Patent:** **\*\* Mar. 28, 2017**

- (54) **DIAPHRAGM PUMP**
- (71) Applicant: **Graco Minnesota Inc.**, Minneapolis, MN (US)
- (72) Inventors: **Bradley H. Hines**, Andover, MN (US); **Brian W. Koehn**, Minneapolis, MN (US); **Paul W. Scheierl**, Circle Pines, MN (US); **Jeffrey A. Earles**, Lakeville, MN (US)
- (73) Assignee: **Graco Minnesota Inc.**, Minneapolis, MN (US)

5,441,281 A *	8/1995	Baland .....	F01L 25/066 137/625.69
D370,488 S *	6/1996	Kozumplik, Jr. ....	D15/7
D380,218 S *	6/1997	McKee .....	D15/7
D388,796 S *	1/1998	Conti .....	D15/7
D388,797 S *	1/1998	Conti .....	D15/7
5,711,658 A *	1/1998	Conti .....	F04B 43/0736 417/344
5,743,170 A *	4/1998	Pascual .....	F04B 43/0054 92/103 F
5,927,954 A *	7/1999	Kennedy .....	F04B 43/0736 417/395
5,957,670 A *	9/1999	Duncan .....	F04B 43/0736 417/393

(Continued)

(\*\*) Term: **15 Years**

(21) Appl. No.: **29/541,583**

(22) Filed: **Oct. 6, 2015**

(51) **LOC (10) Cl.** ..... **15-02**

(52) **U.S. Cl.**  
USPC ..... **D15/7**

(58) **Field of Classification Search**  
USPC ..... D15/7-9; D23/231, 232, 225; 417/60, 417/235, 265, 321, 355, 358, 363, 359, 417/410.1, 415-416, 405, 900, 269, 539, 417/393, 344, 345, 395; 60/408, 412; 184/26-37; 415/140-147; 123/495, 509; 137/565.34  
CPC ..... F02M 37/04; F02M 37/14; F04B 53/92; F04B 1/005; F04B 43/0736  
See application file for complete search history.

(56) **References Cited**

**U.S. PATENT DOCUMENTS**

D331,412 S *	12/1992	Wilden .....	D15/7
5,169,296 A *	12/1992	Wilden .....	F04B 43/0736 417/395
5,213,485 A *	5/1993	Wilden .....	F04B 43/0736 137/454.4

**OTHER PUBLICATIONS**

Graco Inc. Husky 1050 Pumps brochure, revised Jun. 2010.

(Continued)

*Primary Examiner* — Ralf Seifert

(74) *Attorney, Agent, or Firm* — Douglas B. Farrow

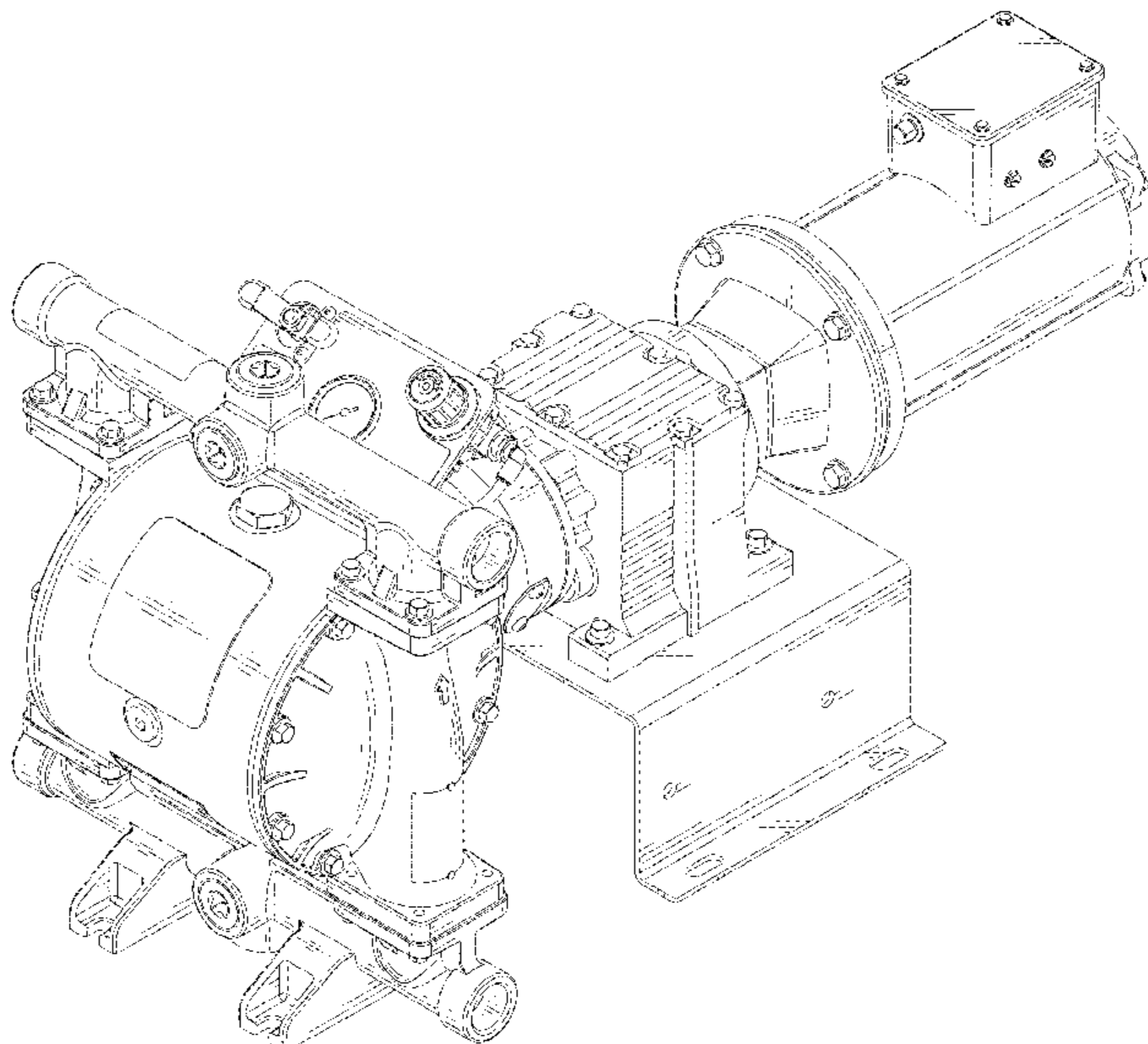
(57) **CLAIM**

The ornamental design for diaphragm pump, in four embodiments as shown and described.

**DESCRIPTION**

FIG. 1 is a front isometric view of a diaphragm pump showing our new design;  
 FIG. 2 is a front view;  
 FIG. 3 is a left side view;  
 FIG. 4 is a rear view;  
 FIG. 5 is a right side view;  
 FIG. 6 is a top view; and,  
 FIG. 7 is a bottom view.  
 The broken lines are included for the purpose of illustrating portions of the diaphragm pump that form no part of the claimed design.

**1 Claim, 7 Drawing Sheets**



(56)

**References Cited**

U.S. PATENT DOCUMENTS

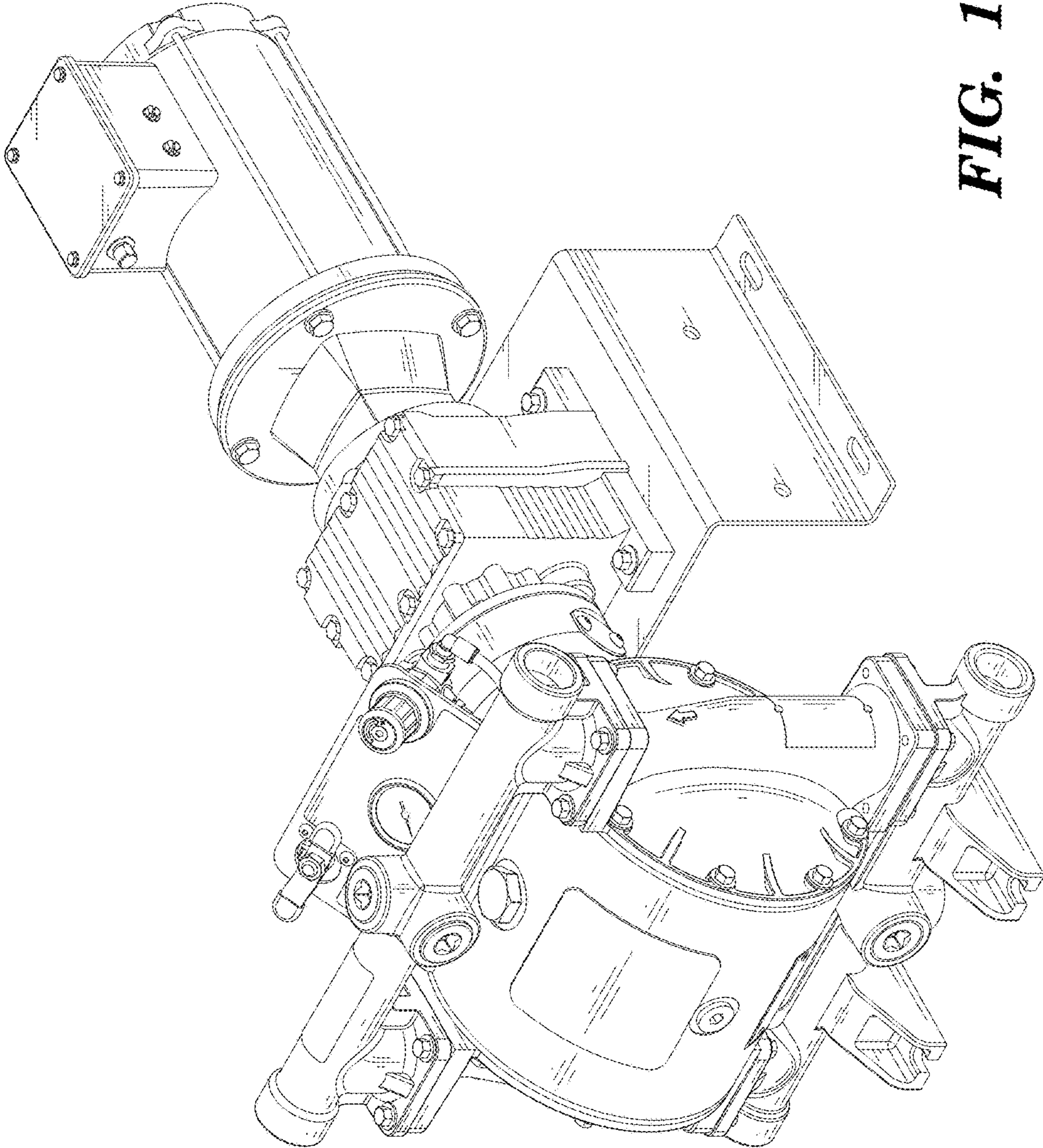
6,102,363 A \* 8/2000 Eberwein ..... F04B 43/0736  
251/31  
6,142,749 A \* 11/2000 Jack ..... F04B 53/1002  
417/395  
6,152,705 A \* 11/2000 Kennedy ..... F04B 7/0241  
137/102  
RE38,239 E \* 8/2003 Duncan ..... F04B 43/0736  
417/395  
D484,145 S \* 12/2003 Roberts ..... D15/7  
6,746,637 B1 \* 6/2004 Huss ..... B29C 45/16  
264/135  
D515,101 S \* 2/2006 Wiechers ..... D15/7  
7,399,168 B1 \* 7/2008 Eberwein ..... F04B 43/0736  
417/395  
7,517,199 B2 \* 4/2009 Reed ..... F04B 43/0736  
417/395  
7,658,598 B2 \* 2/2010 Reed ..... F04B 43/0736  
417/395

7,811,067 B2 \* 10/2010 Dietzsch ..... F04B 43/0736  
137/556  
D667,465 S \* 9/2012 Headley ..... D15/7  
8,292,600 B2 \* 10/2012 Reed ..... F04B 43/0736  
417/395  
D674,815 S \* 1/2013 Headley ..... D15/7  
D675,231 S \* 1/2013 Headley ..... D15/7  
D682,316 S \* 5/2013 Rogne ..... D15/7  
8,496,451 B2 \* 7/2013 Hale ..... F04B 43/0054  
417/393  
D746,872 S \* 1/2016 Davis ..... D15/7  
D746,873 S \* 1/2016 Davis ..... D15/7  
D746,874 S \* 1/2016 Davis ..... D15/7  
D747,362 S \* 1/2016 Davis ..... D15/7

OTHER PUBLICATIONS

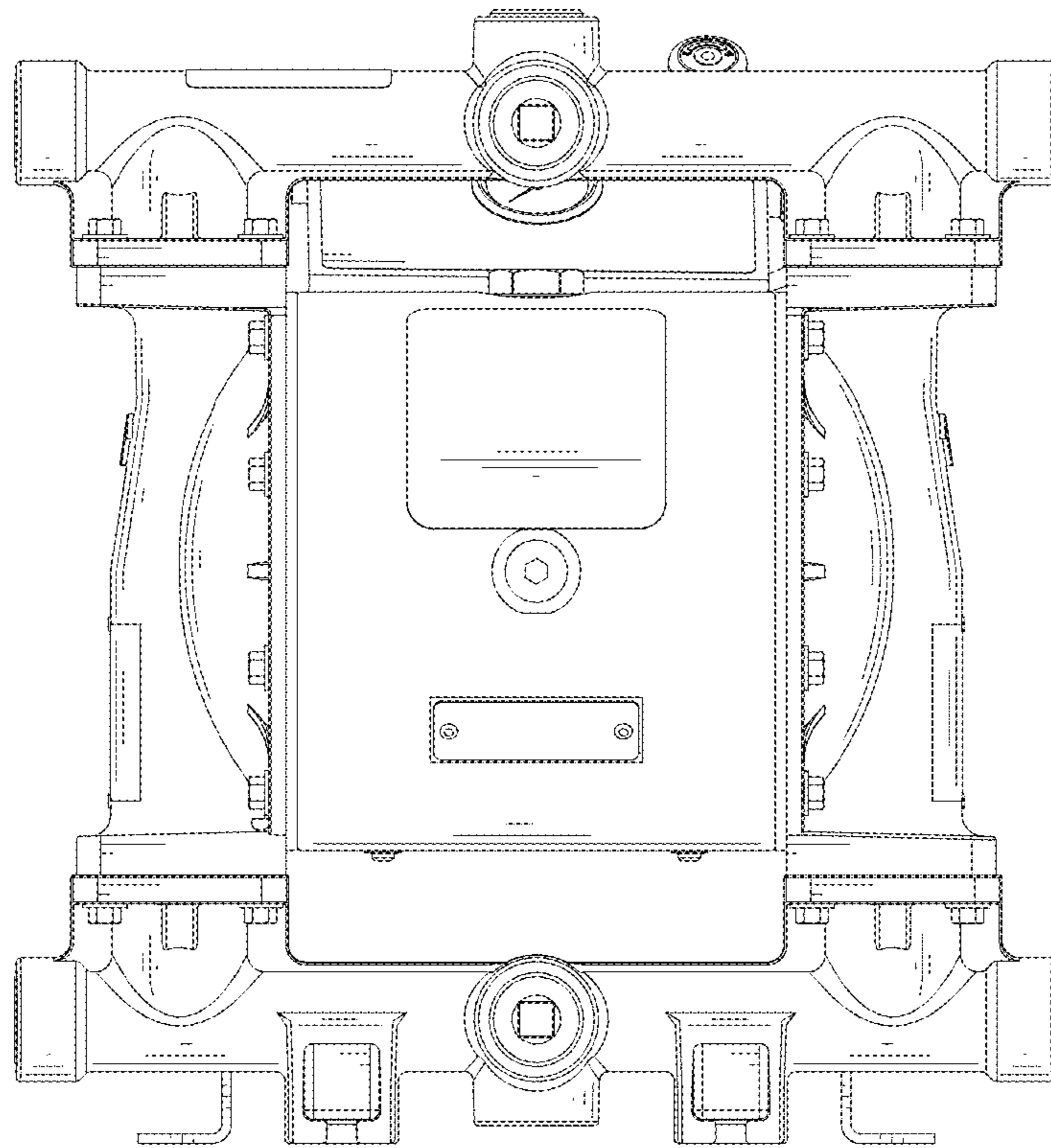
RANPumps 1" EM Metal Body Pump, D25E-AX "PDF Catalogue"  
created Feb. 2014.  
Abel Pump Technology Electromechanical Membrane Pumps Bro-  
chure, particularly top of p. 4, revised Jun. 2014.

\* cited by examiner

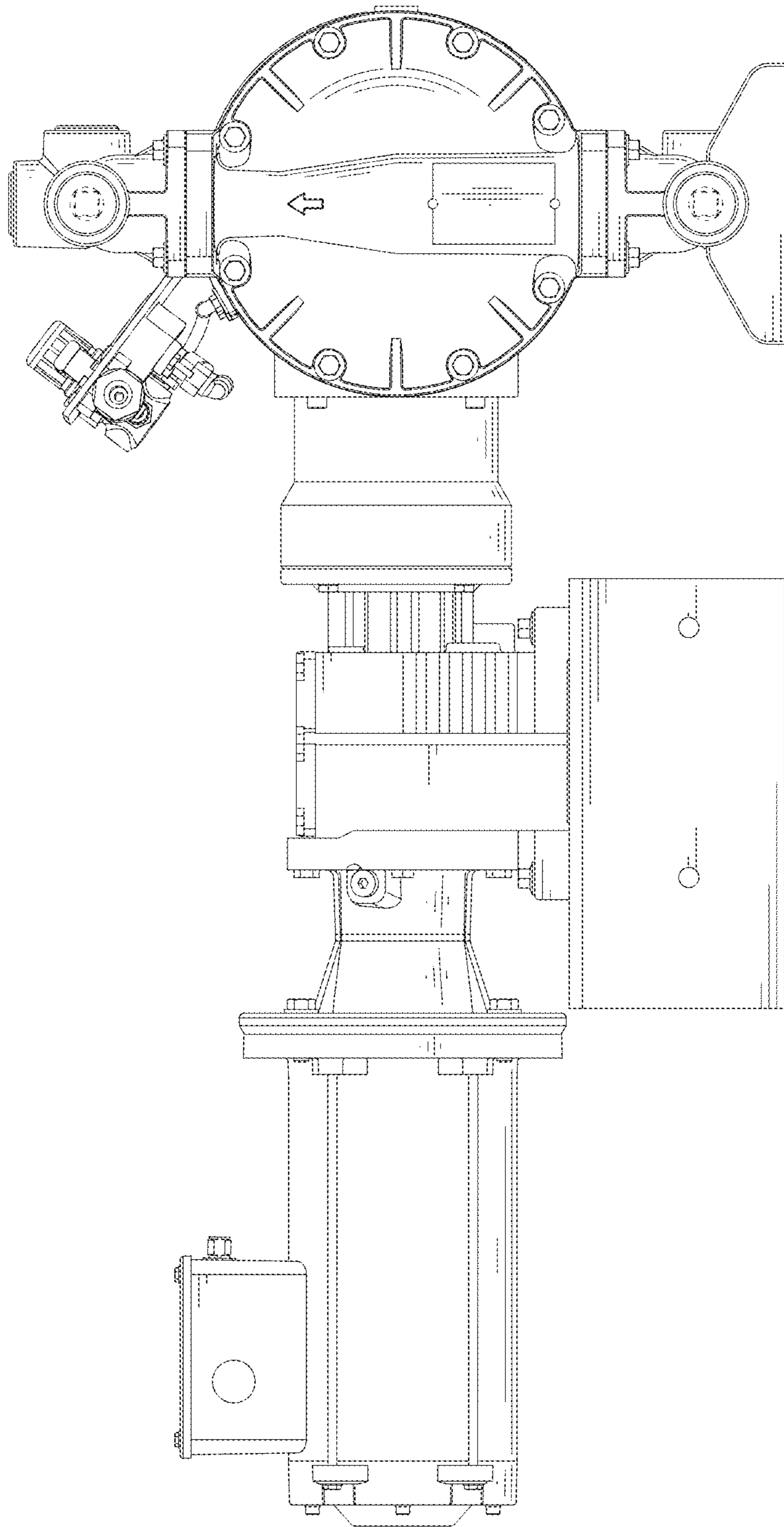


**FIG. 1**

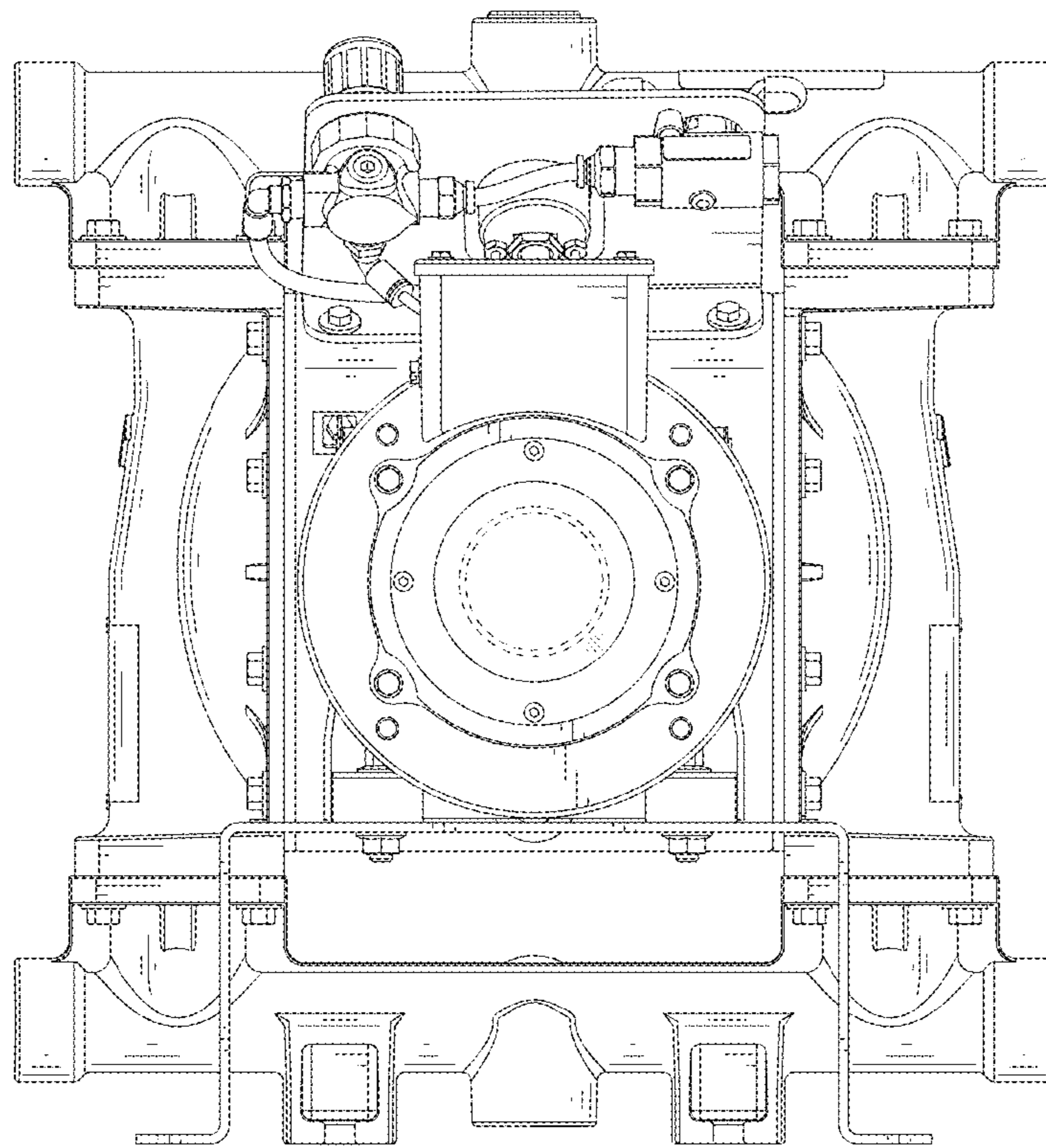




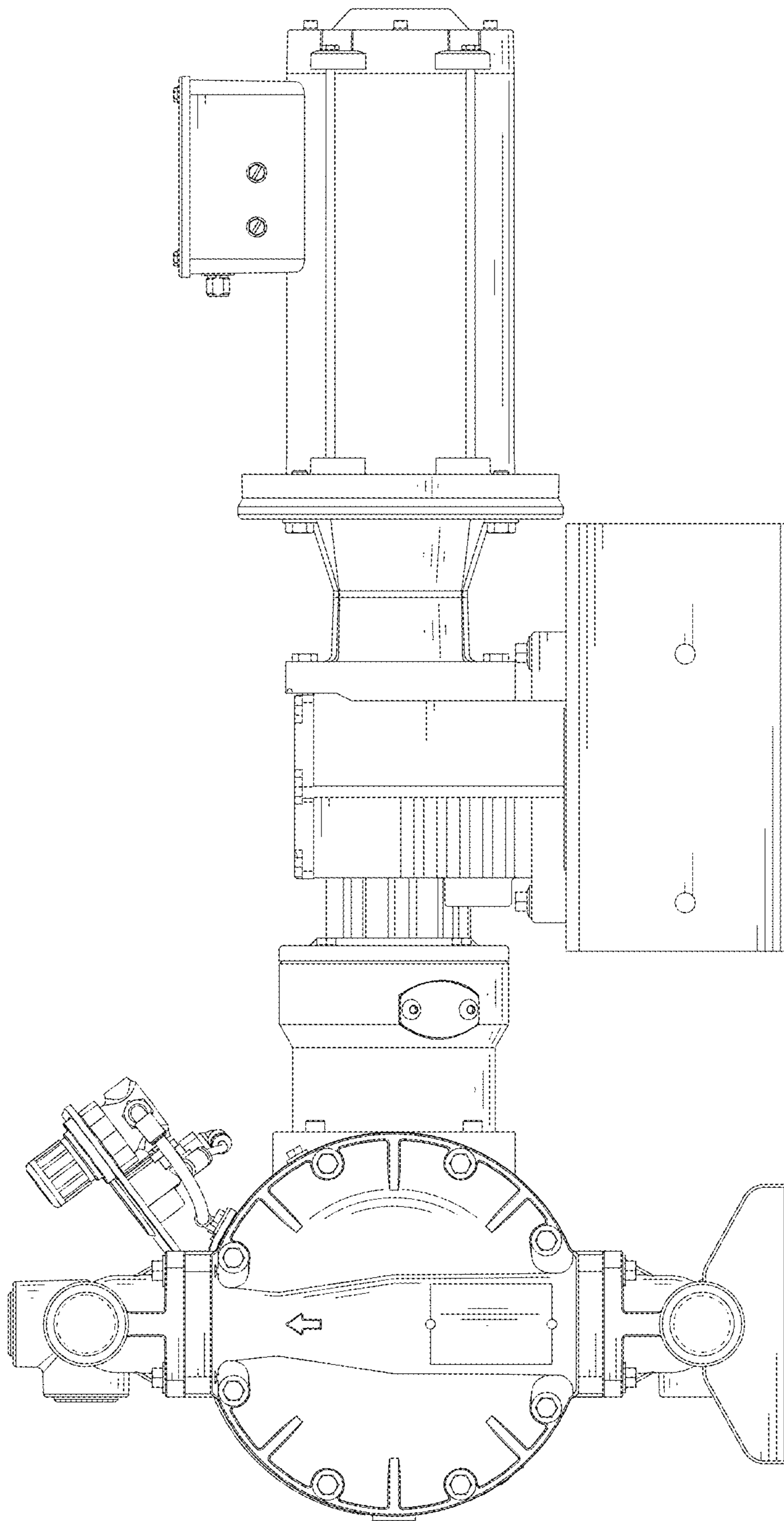
**FIG. 2**



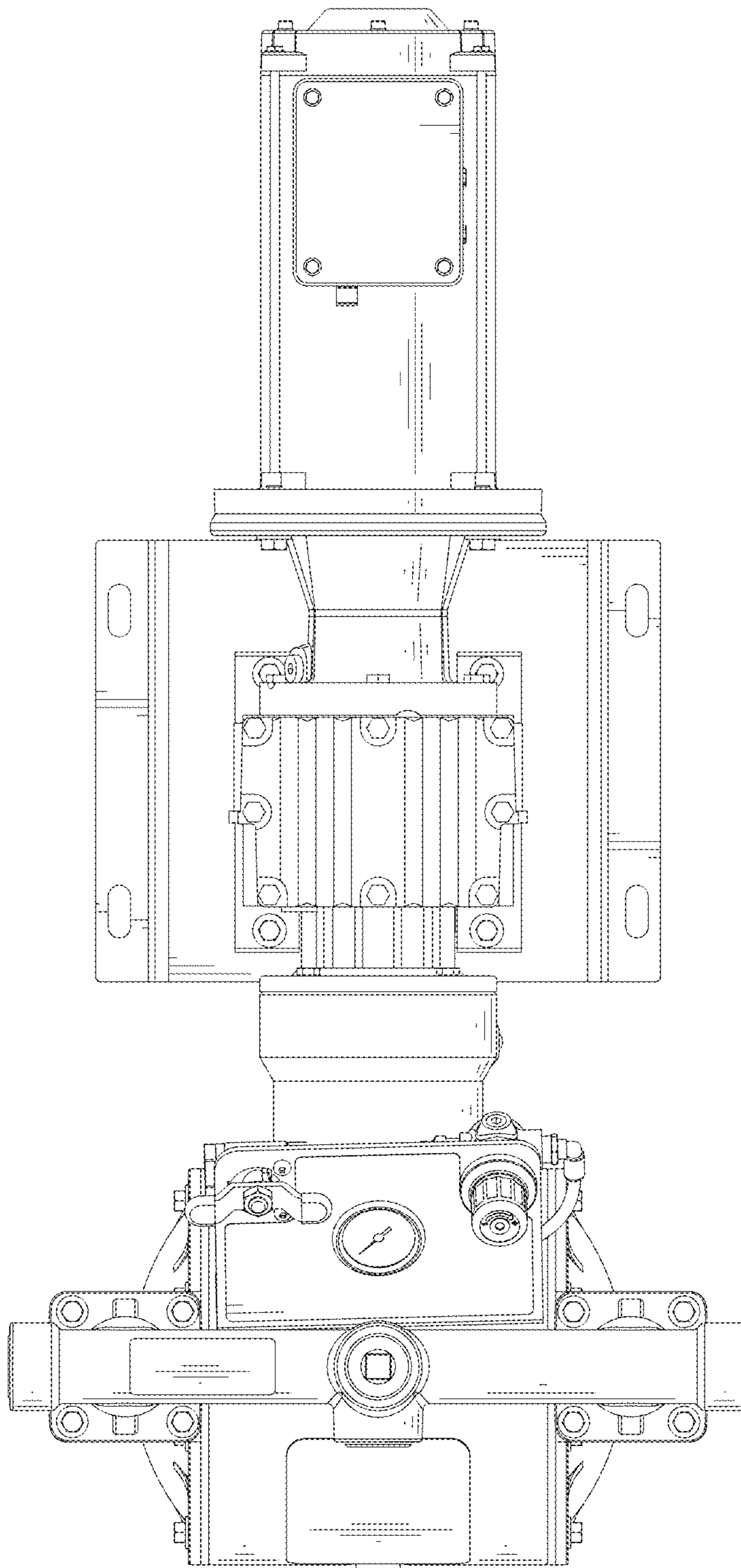
**FIG. 3**



**FIG. 4**

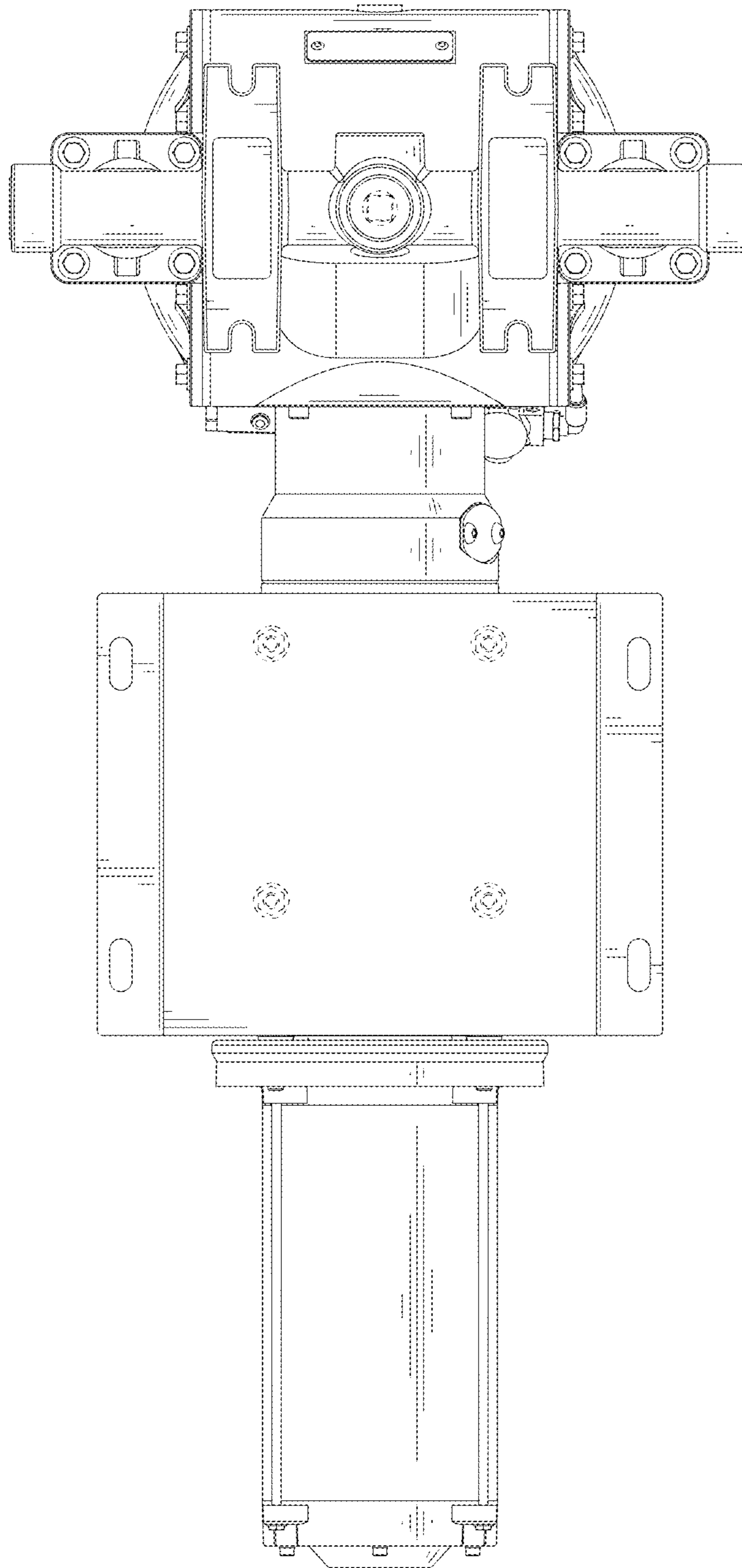


**FIG. 5**



**FIG. 6**





**FIG. 7**