



US00D782540S

(12) **United States Design Patent**  
**Zhang et al.**

(10) **Patent No.:** **US D782,540 S**

(45) **Date of Patent:** **\*\* Mar. 28, 2017**

(54) **ELECTRIC PUMP**

(71) Applicant: **Hangzhou Sanhua Research Institute Co., Ltd.**, Hangzhou, Zhejiang (CN)

(72) Inventors: **Jun Zhang**, Zhejiang (CN); **Junfeng Bao**, Hangzhou (CN); **Hongmin Song**, Hangzhou (CN); **Junchao Zhang**, Hangzhou (CN)

(73) Assignee: **Hangzhou Sanhua Research Institute Co., Ltd.**, Hangzhou, Zhejiang (CN)

(\*\*) Term: **15 Years**

(21) Appl. No.: **29/540,807**

(22) Filed: **Sep. 28, 2015**

(30) **Foreign Application Priority Data**

May 29, 2015 (CN) ..... 2015 3 0170932

(51) **LOC (10) Cl.** ..... **15-02**

(52) **U.S. Cl.**  
USPC ..... **D15/7**

(58) **Field of Classification Search**  
USPC ..... D15/7-9, 143; D23/231, 232, 225;  
417/60, 235, 265, 321, 355, 358, 363,  
(Continued)

(56) **References Cited**

**U.S. PATENT DOCUMENTS**

D306,736 S \* 3/1990 Ziaylek ..... D15/7

D308,208 S \* 5/1990 Ziaylek ..... D15/7

(Continued)

*Primary Examiner* — Ralf Seifert

(74) *Attorney, Agent, or Firm* — Wolf, Greenfield & Sacks, P.C.

(57) **CLAIM**

The ornamental design for an electric pump, as shown and described.

**DESCRIPTION**

FIG. 1 is a front view of an electric pump according to a first design of the present application;

FIG. 2 is a rear view of the electric pump according to the first design of the present application;

FIG. 3 is a left view of the electric pump according to the first design of the present application;

FIG. 4 is a right view of the electric pump according to the first design of the present application;

FIG. 5 is a top view of the electric pump according to the first design of the present application;

FIG. 6 is a bottom view of the electric pump according to the first design of the present application;

FIG. 7 is a perspective view of the electric pump according to the first design of the present application;

FIG. 8 is a front view of an electric pump according to a second design of the present application;

FIG. 9 is a rear view of the electric pump according to the second design of the present application;

FIG. 10 is a left view of the electric pump according to the second design of the present application;

FIG. 11 is a right view of the electric pump according to the second design of the present application;

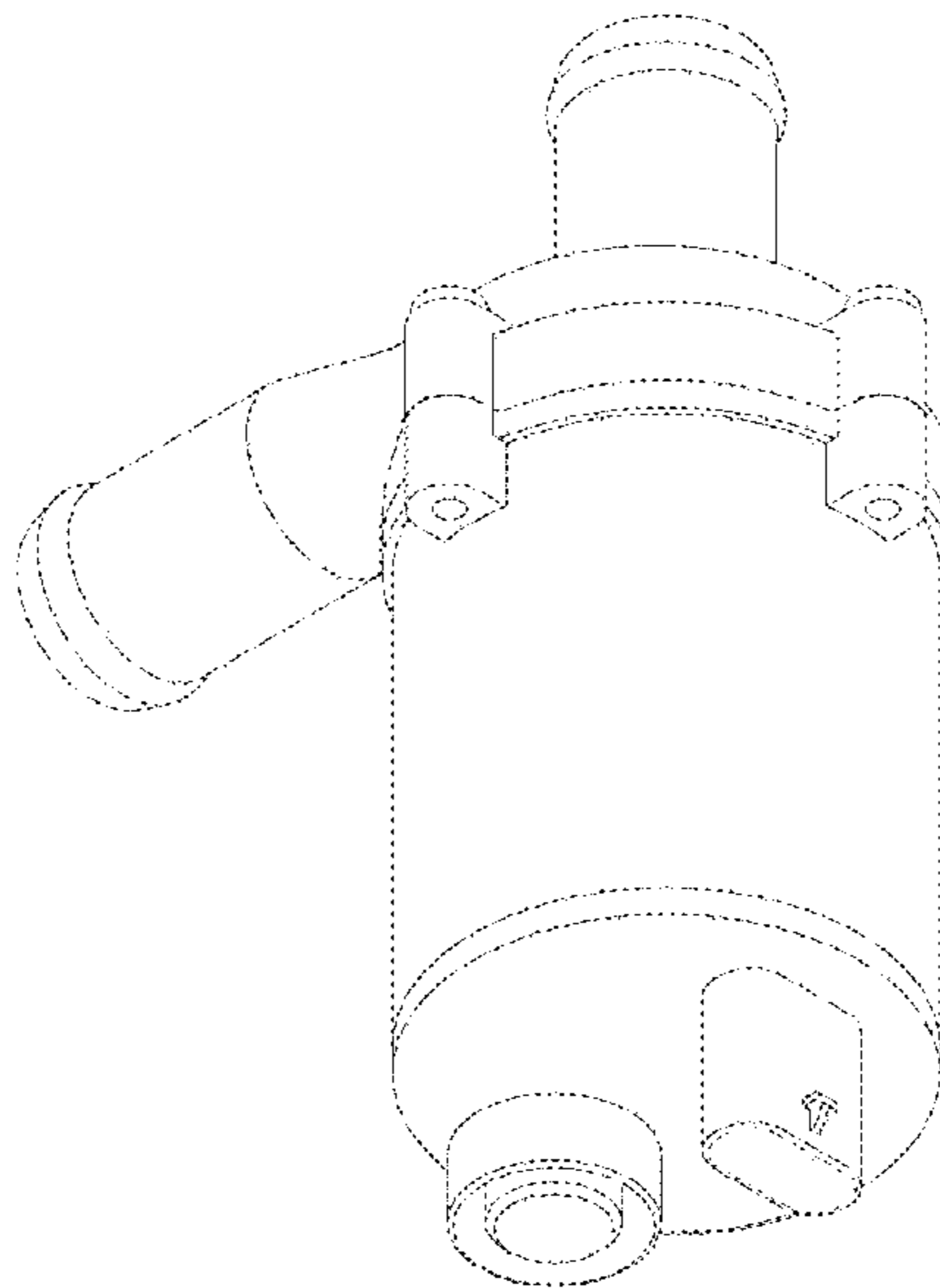
FIG. 12 is a top view of the electric pump according to the second design of the present application;

FIG. 13 is a bottom view of the electric pump according to the second design of the present application; and,

FIG. 14 is a perspective view of the electric pump according to the second design of the present application.

The broken lines are included for the purpose of illustrating portions of the electric pump that form no part of the claimed design.

**1 Claim, 14 Drawing Sheets**



(58) **Field of Classification Search**

USPC ..... 417/359, 410.1, 415–416, 405, 900;  
60/408, 412; 184/26–37; 415/140–147;  
123/495, 509  
CPC ..... F02M 37/04; F02M 31/14; F04D 29/4286  
See application file for complete search history.

(56) **References Cited**

U.S. PATENT DOCUMENTS

D309,308 S *	7/1990	Webb .....	D15/7
D313,418 S *	1/1991	Webb .....	D15/7
D384,678 S *	10/1997	Kotlarek .....	D15/9
D485,564 S *	1/2004	Yorulmazoglu .....	D15/7
D491,577 S *	6/2004	Akimoto .....	D15/7
D498,480 S *	11/2004	Tsai .....	D15/7
D504,443 S *	4/2005	Yorulmazoglu .....	D15/7
D505,681 S *	5/2005	Rossman .....	D15/7
D507,580 S *	7/2005	Rossman .....	D15/7

\* cited by examiner

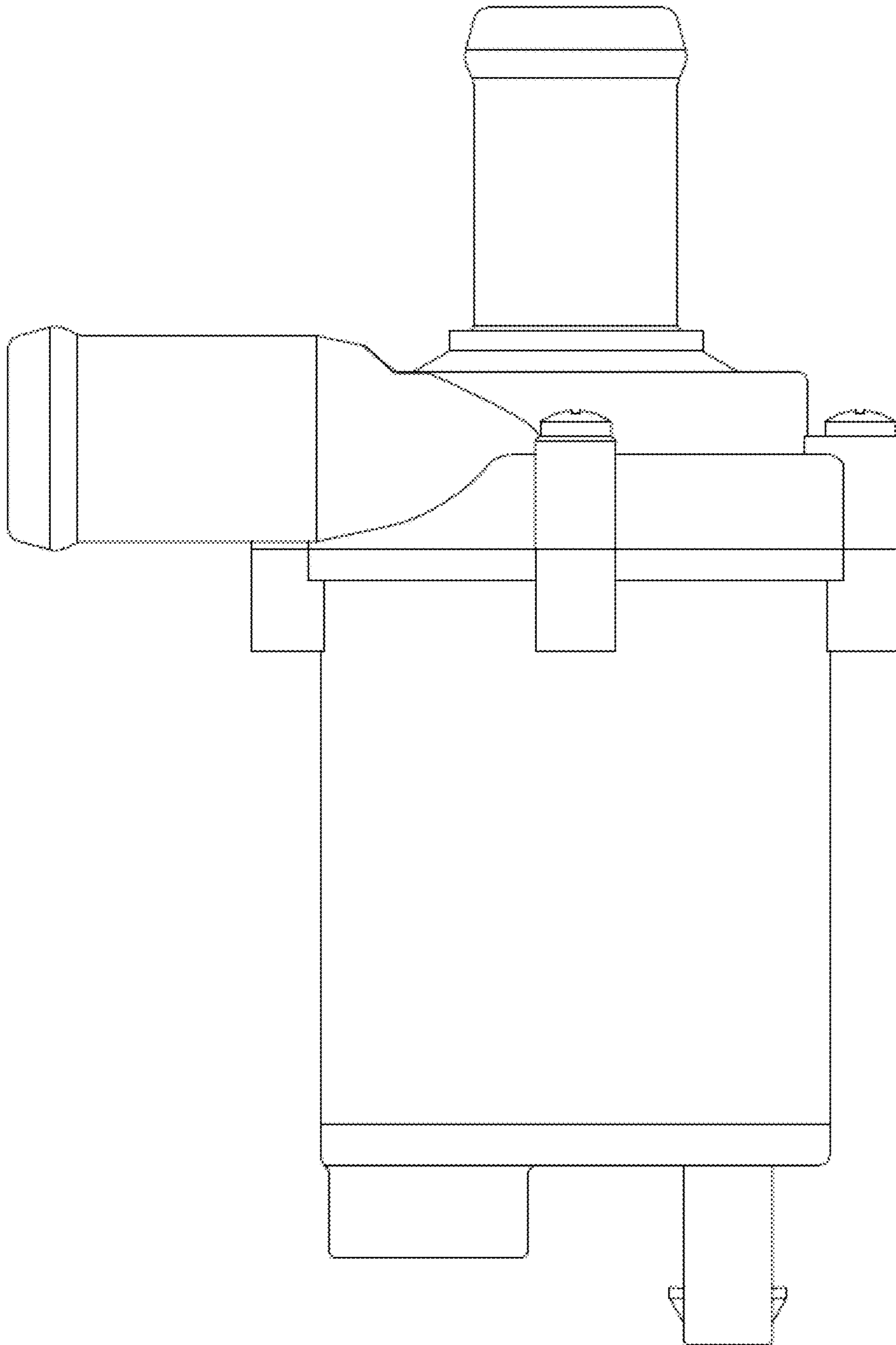


Figure 1

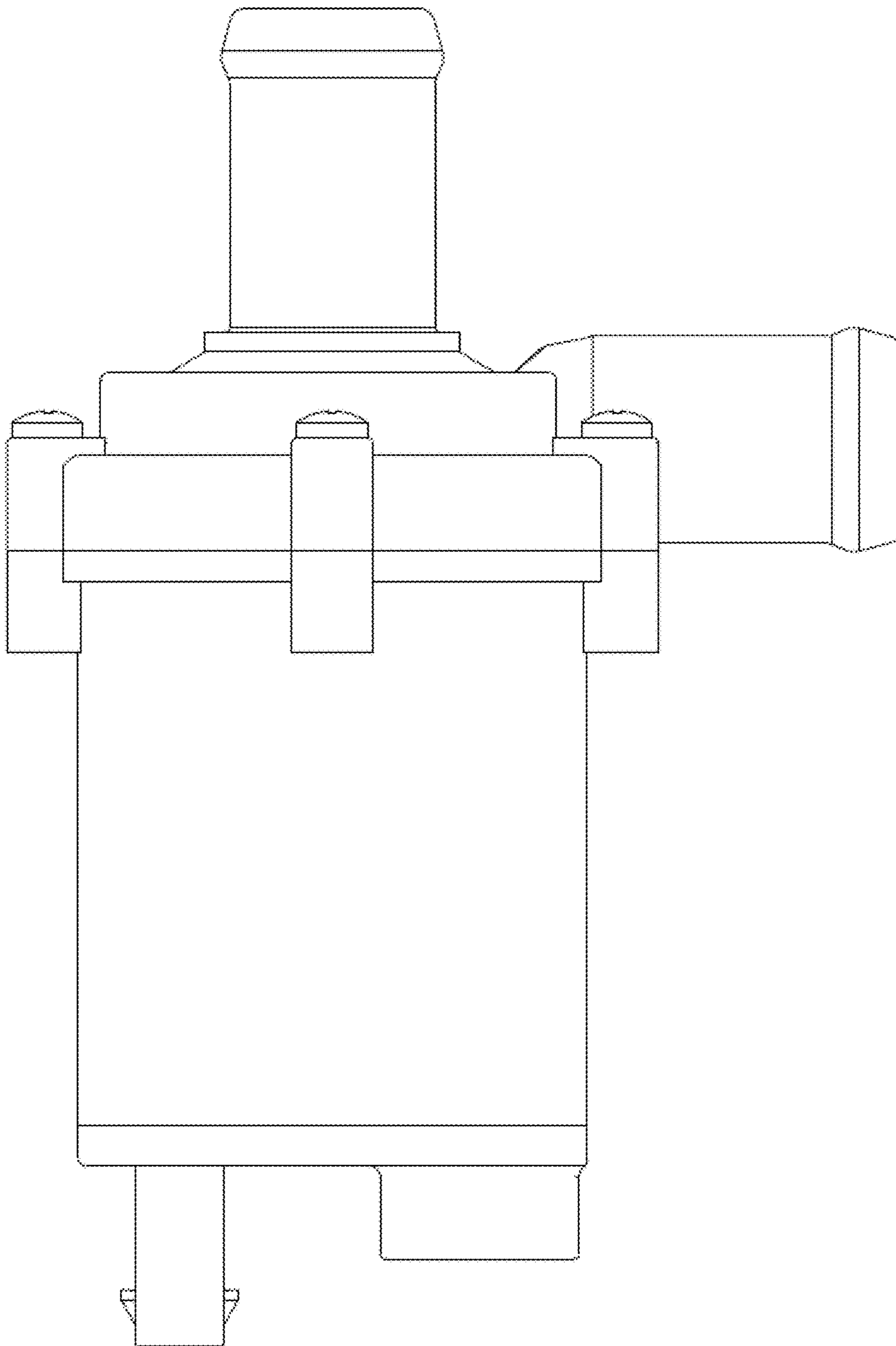


Figure 2

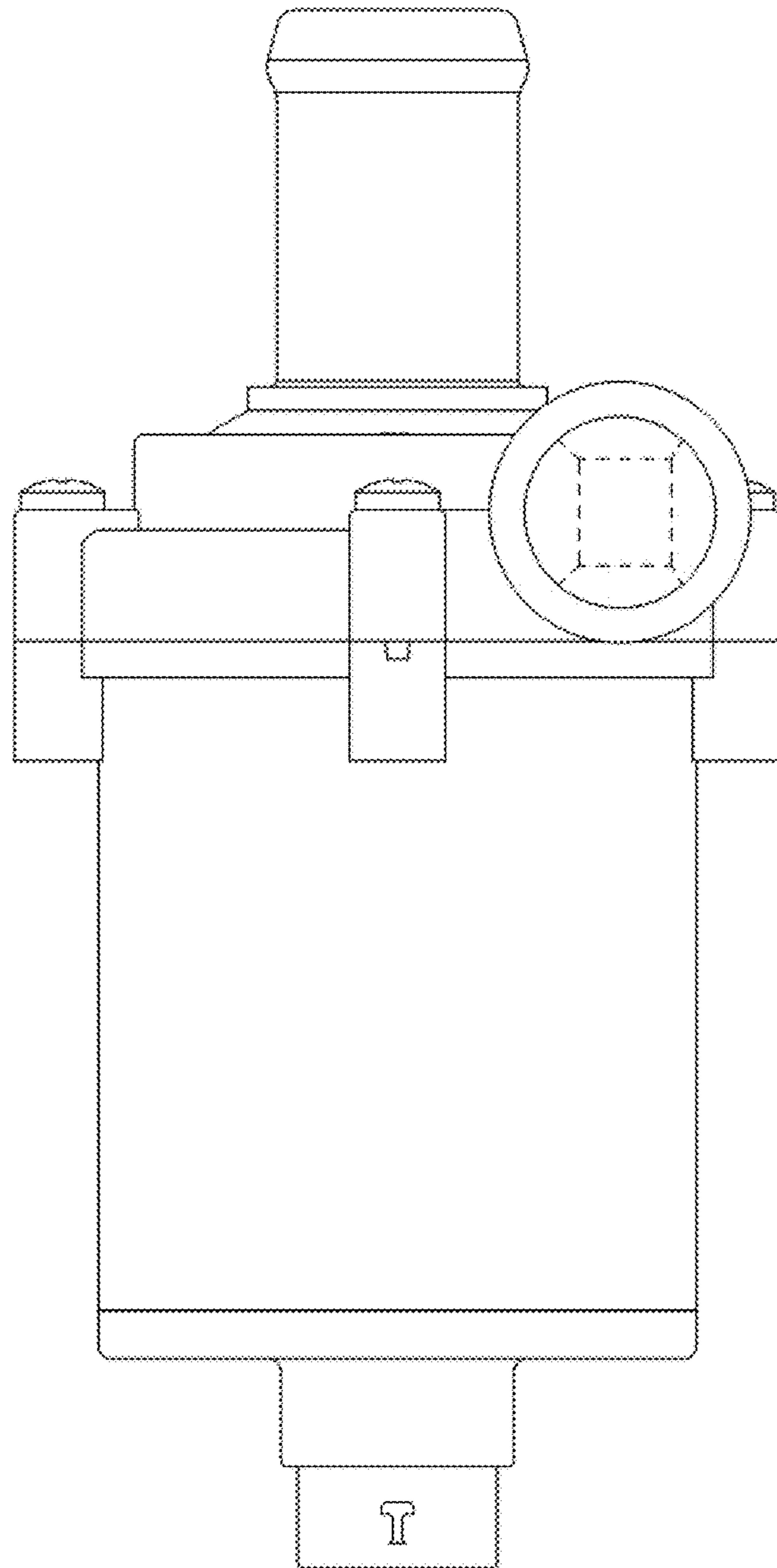


Figure 3

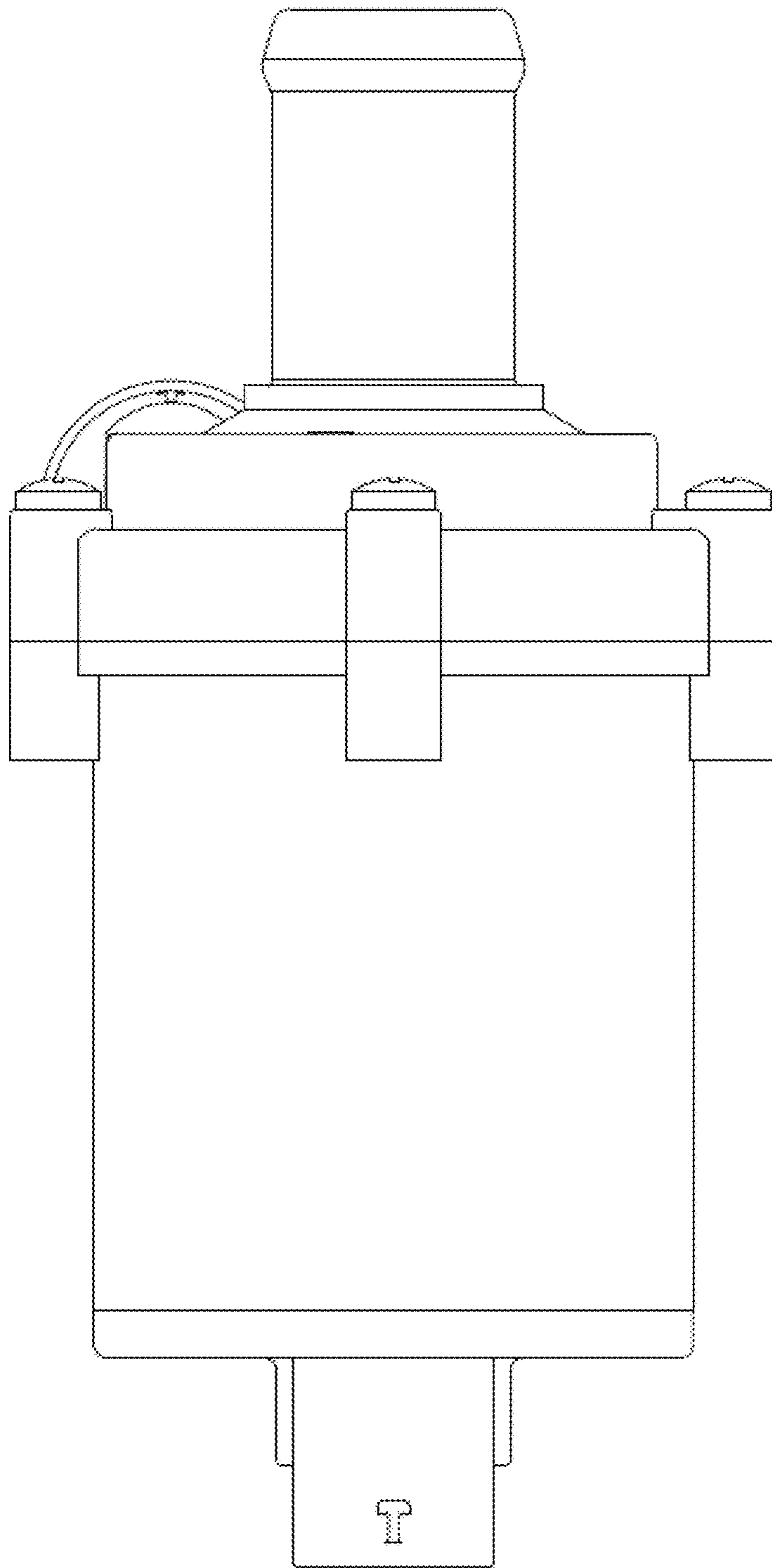


Figure 4

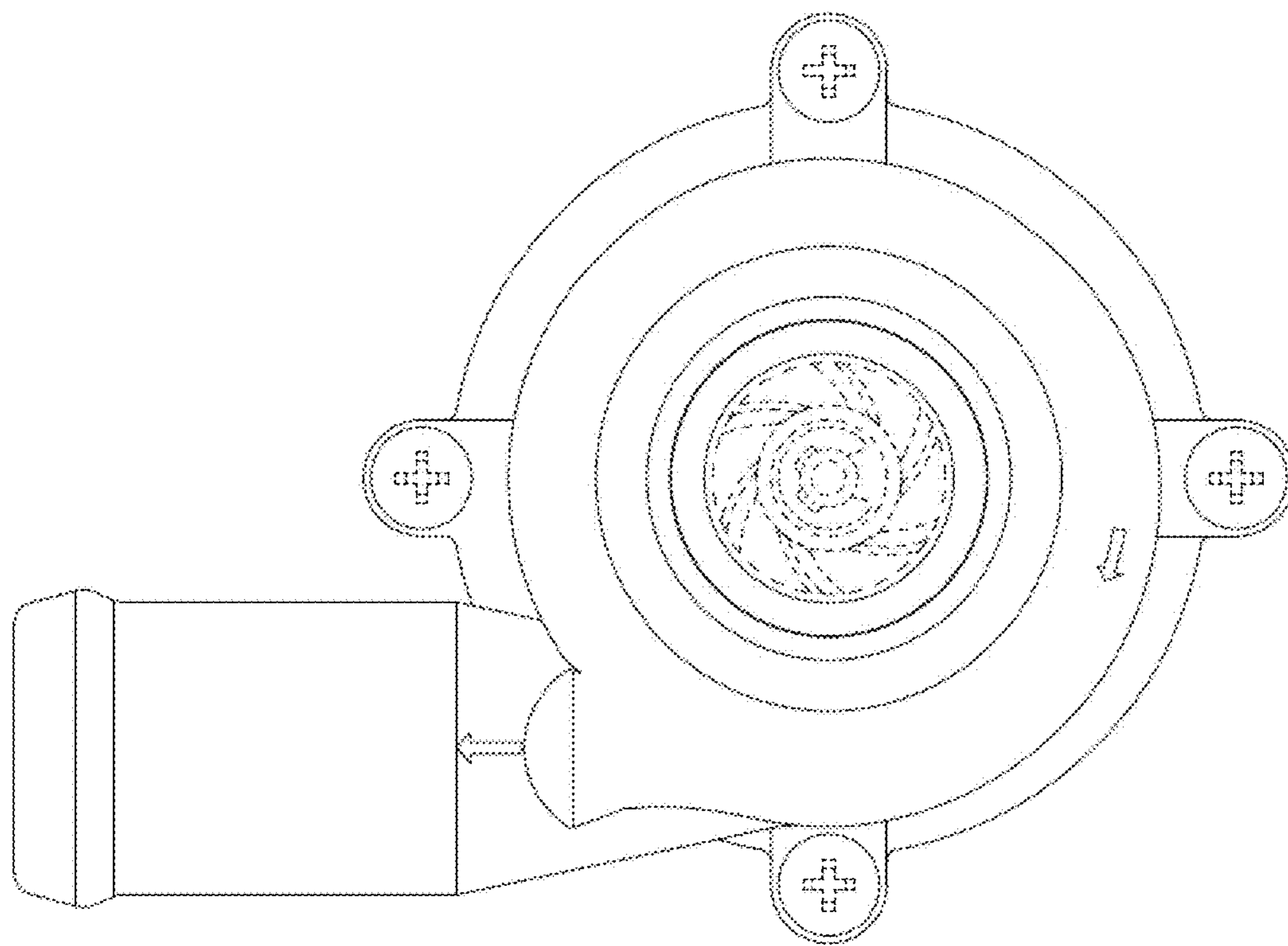


Figure 5

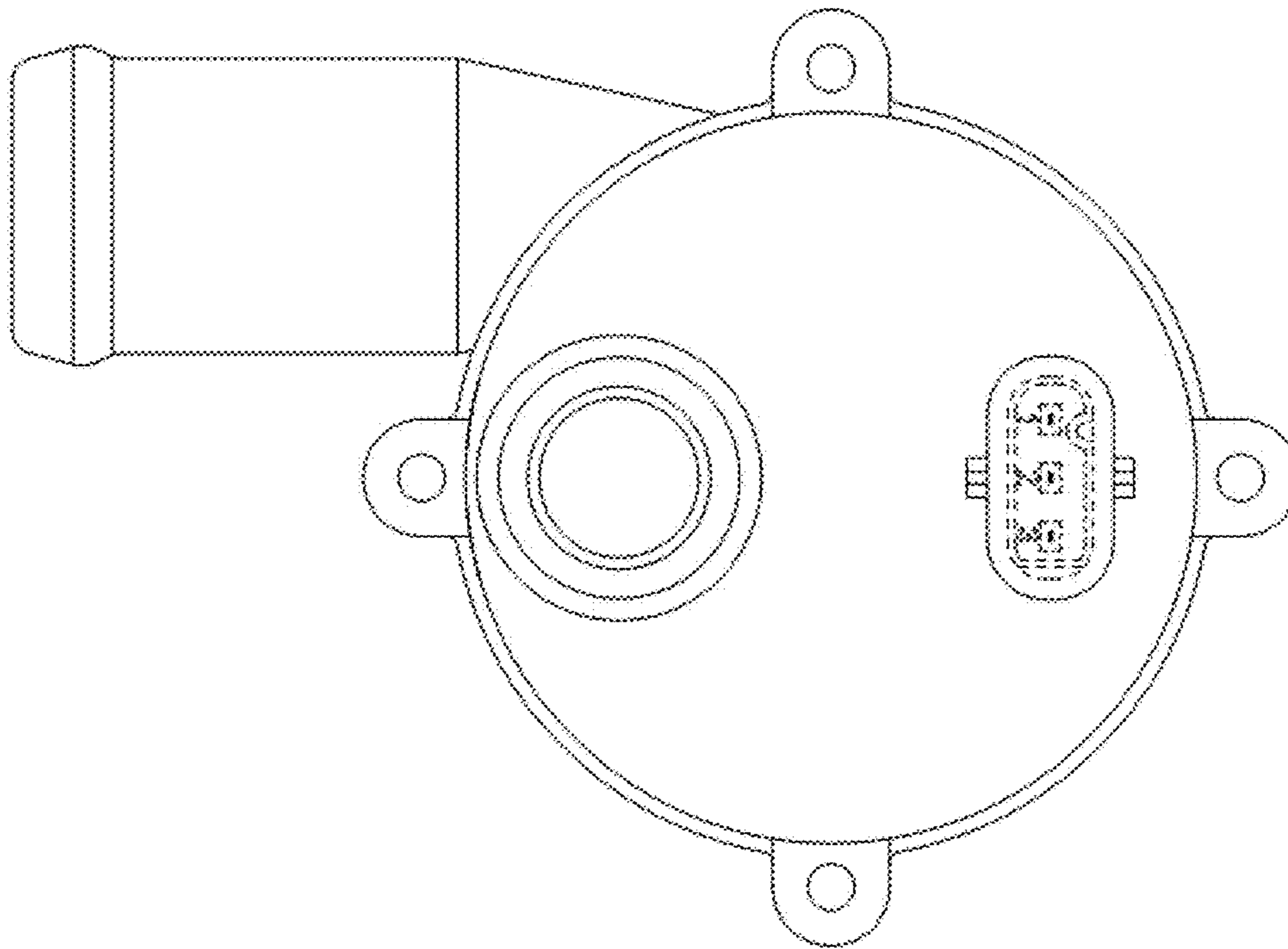


Figure 6



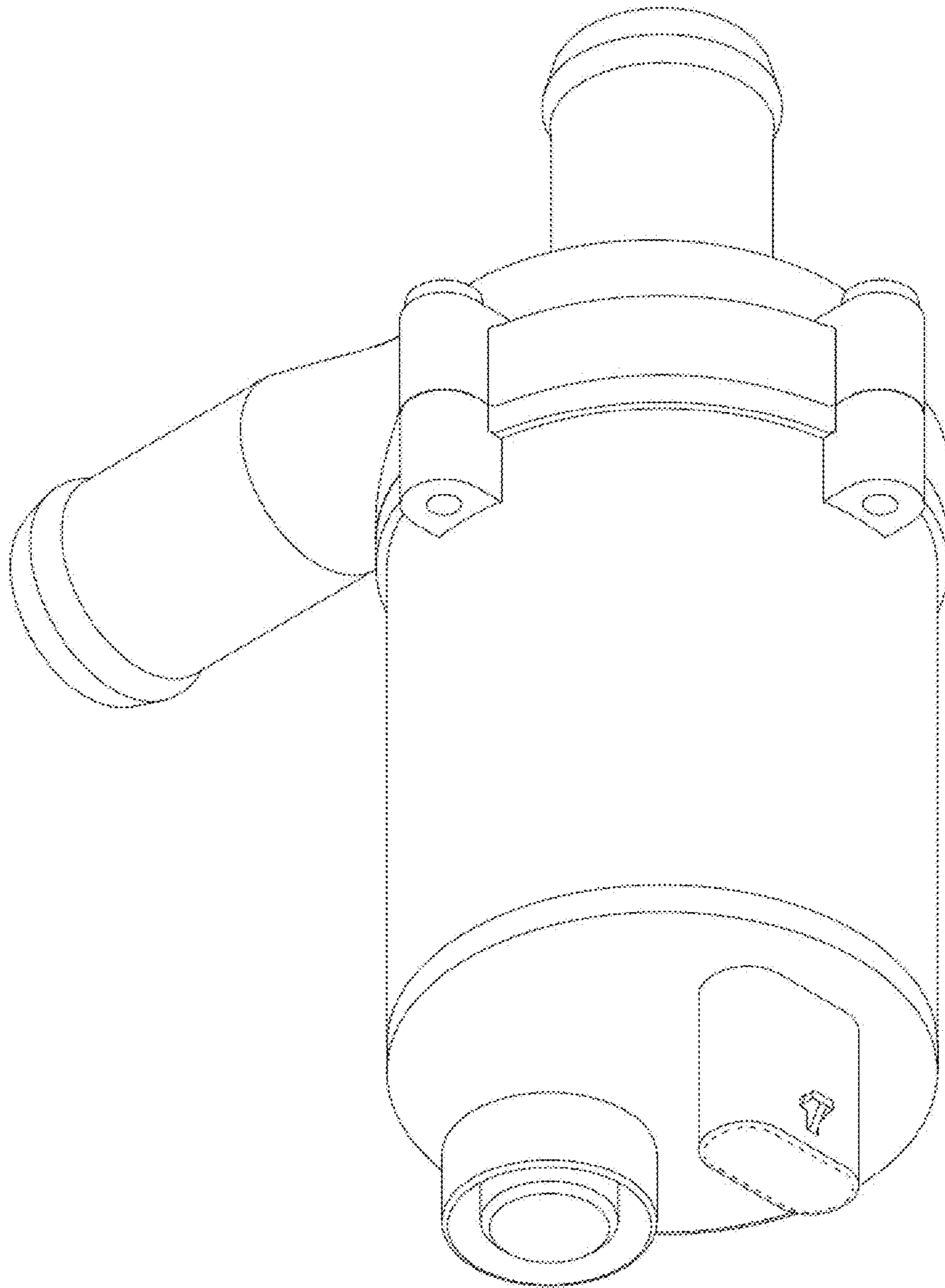


Figure 7

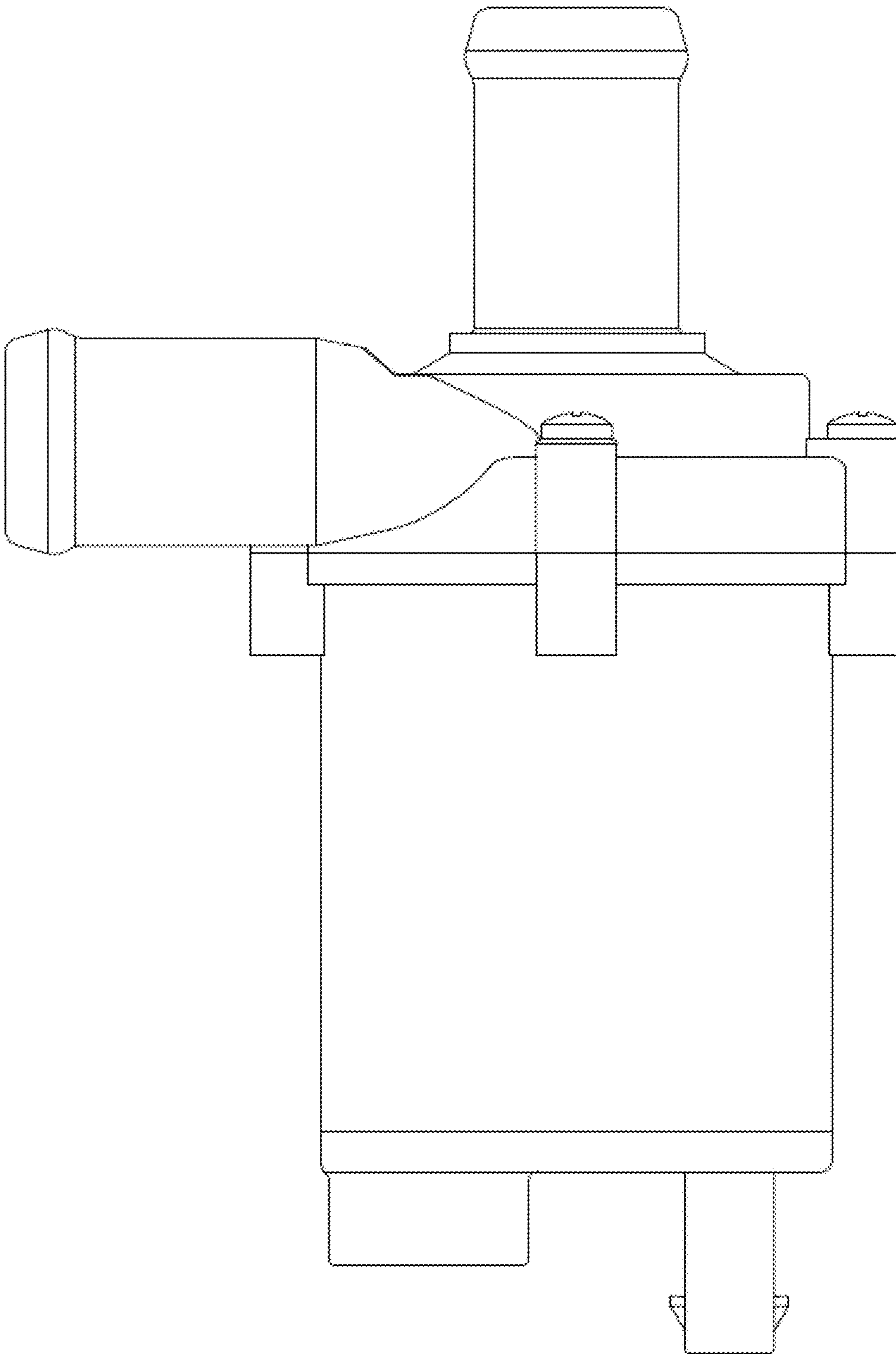


Figure 8

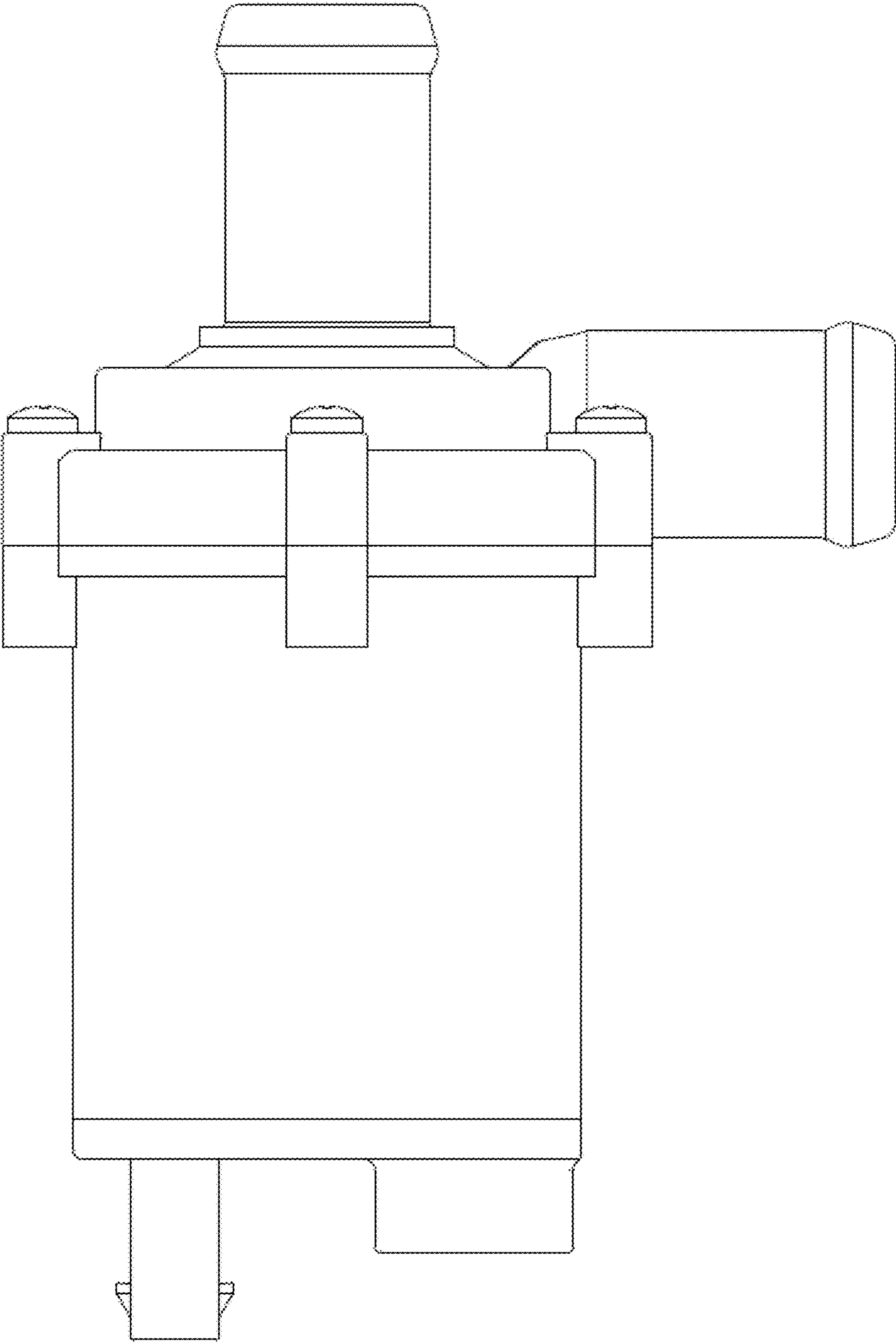


Figure 9

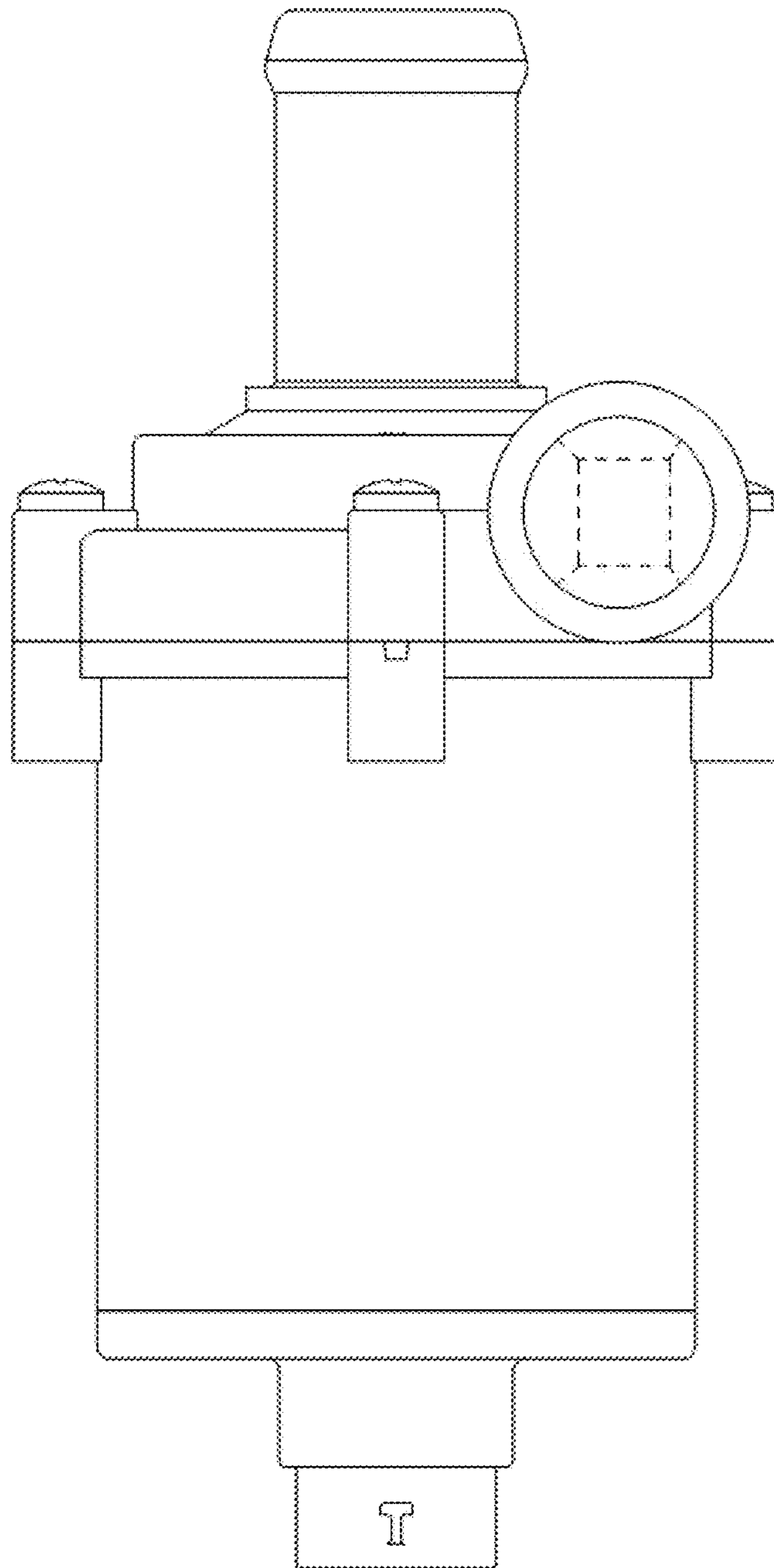


Figure 10

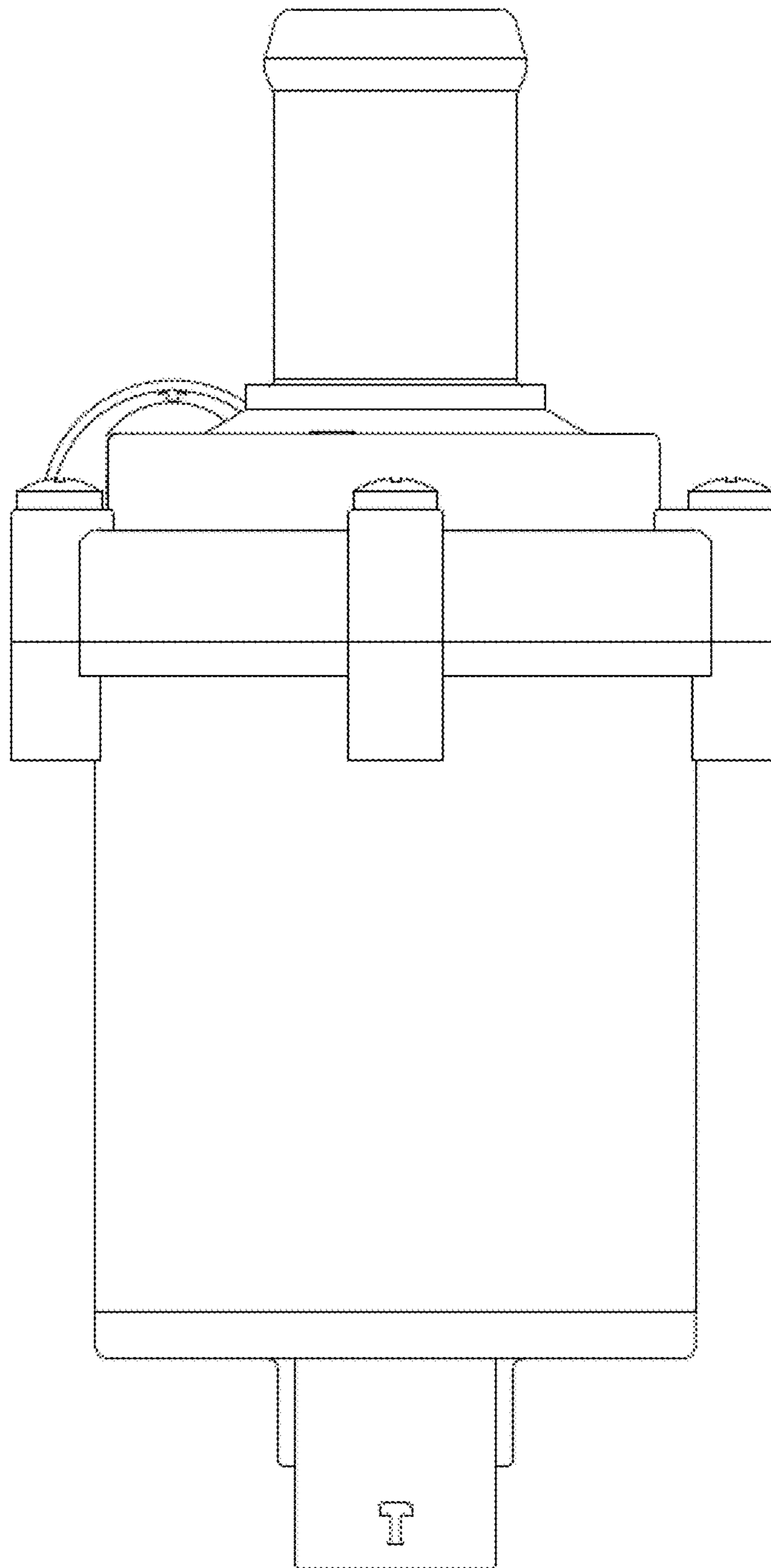


Figure 11

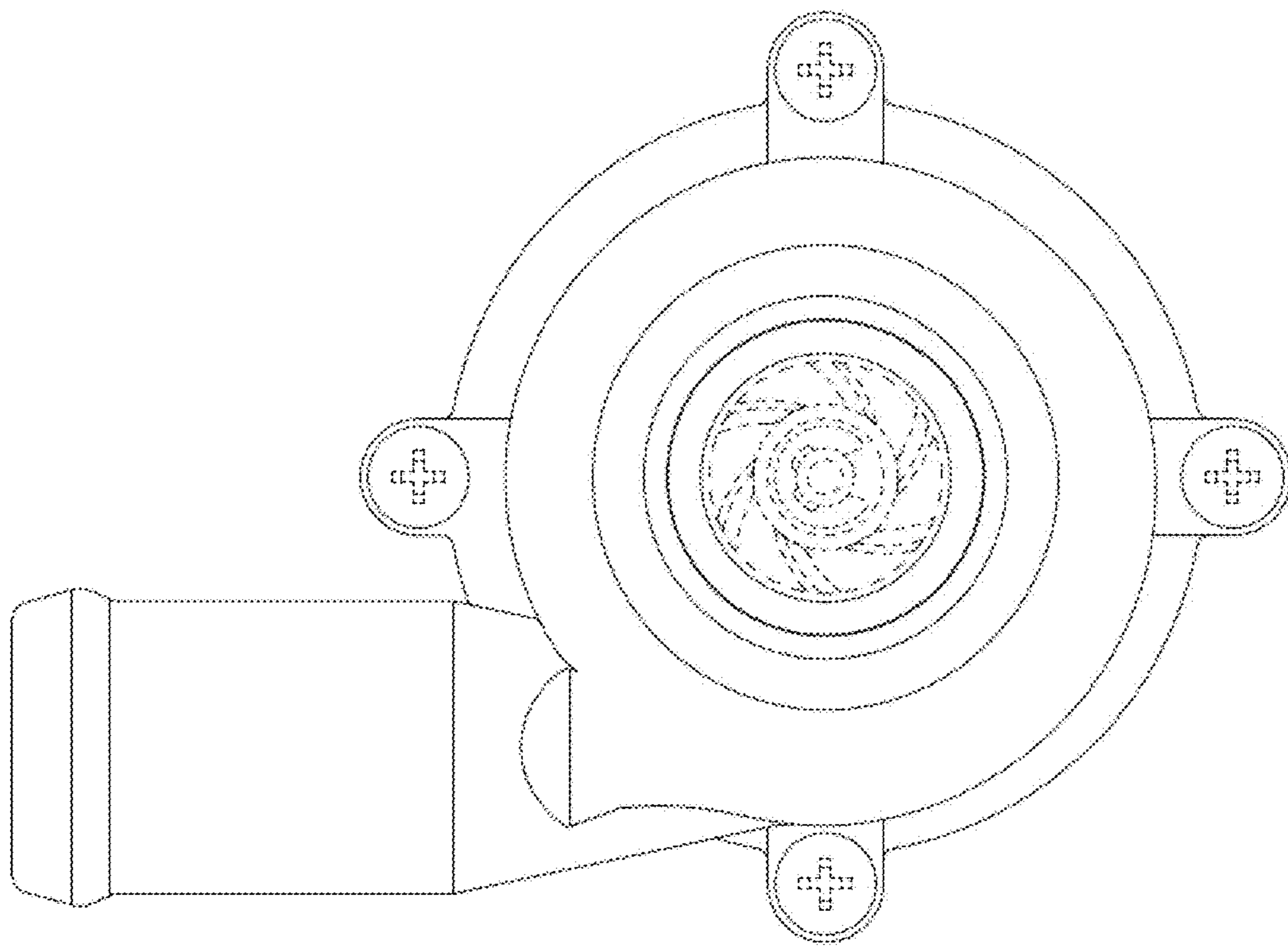


Figure 12

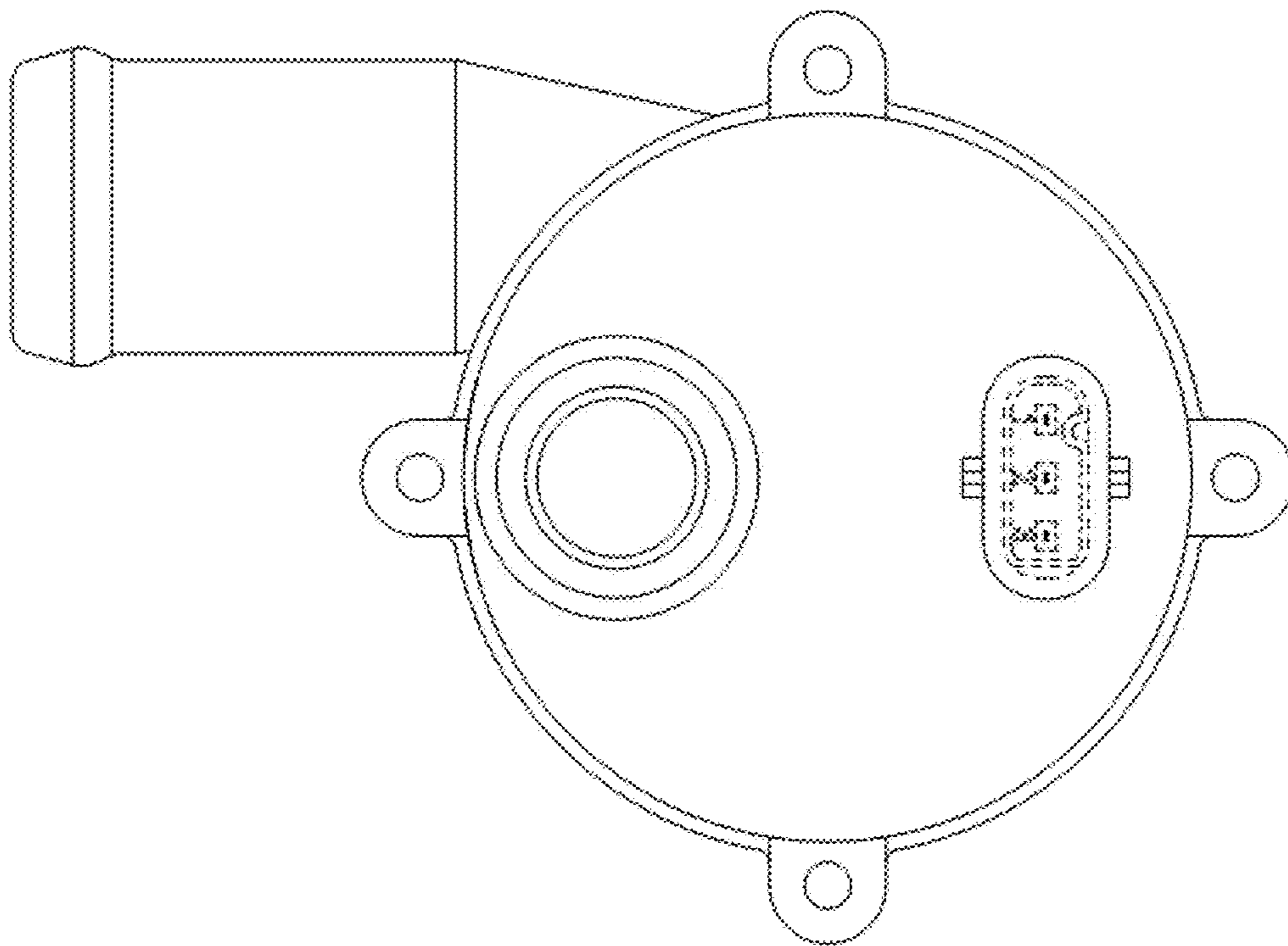


Figure 13

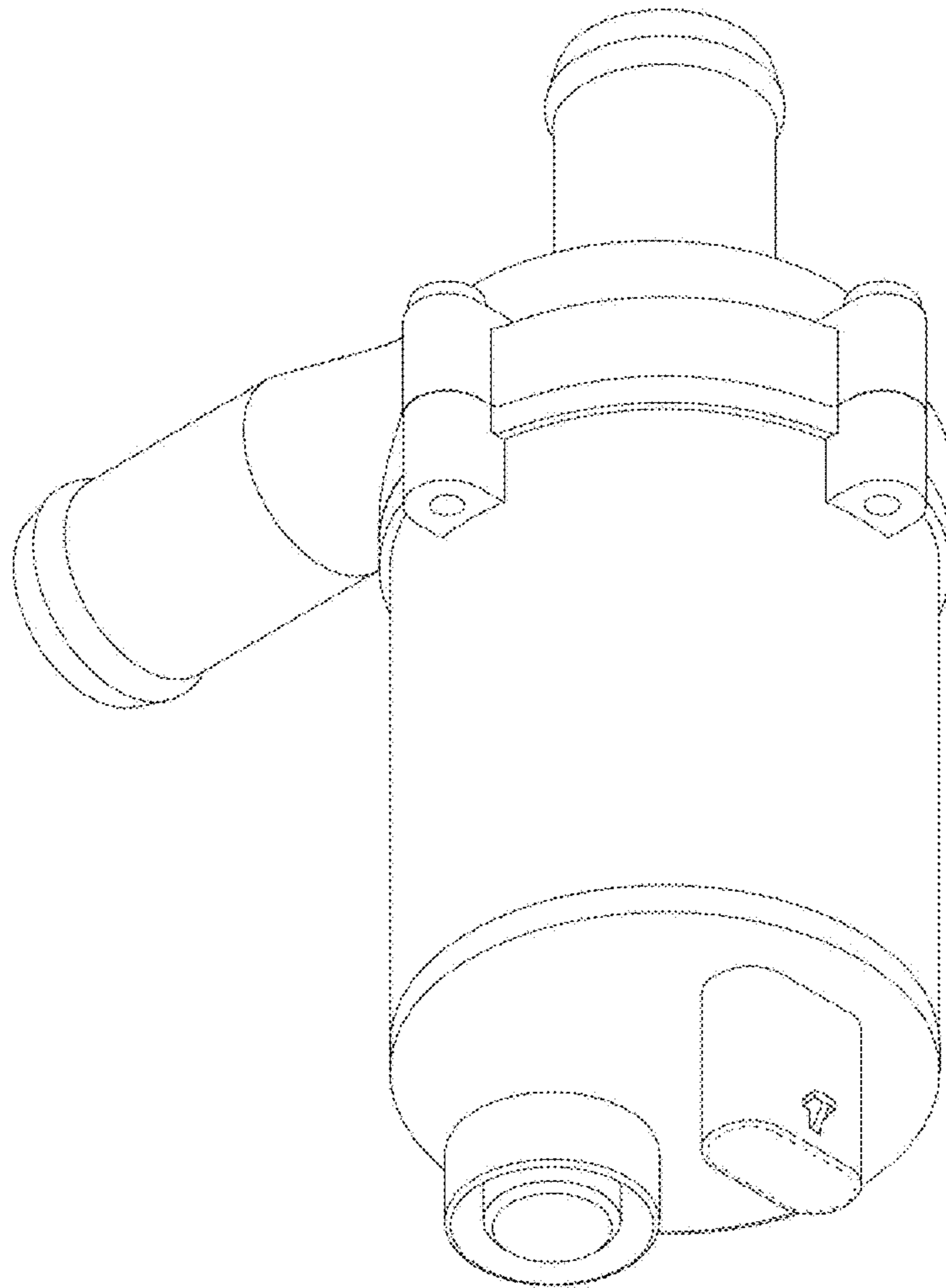


Figure 14