



US00D782539S

(12) **United States Design Patent**
Fox et al.

(10) **Patent No.:** **US D782,539 S**
(45) **Date of Patent:** **** Mar. 28, 2017**

- (54) **LIMITED SLIP DIFFERENTIAL**
- (71) Applicant: **Eaton Corporation**, Cleveland, OH (US)
- (72) Inventors: **Matthew G. Fox**, Ceresco, MI (US);
Andrew N. Edler, Homer, MI (US);
Scott M. Besemer, Battle Creek, MI (US);
Christian Chimner, Royal Oak, MI (US)
- (73) Assignee: **Eaton Corporation**, Cleveland, OH (US)
- (**) Term: **15 Years**
- (21) Appl. No.: **29/539,395**
- (22) Filed: **Sep. 14, 2015**

- 3,831,462 A 8/1974 Baremor
- D236,980 S 9/1975 Callahan et al.
- 3,964,346 A 6/1976 Myers, Sr.
- D302,982 S 8/1989 Bainbridge, III
- D370,054 S 5/1996 Nakadaira et al.
- D386,985 S 12/1997 Cameron
- 5,741,199 A 4/1998 Tanser et al.

(Continued)

OTHER PUBLICATIONS

U.S. Appl. No. 29/456,974, filed Jun. 5, 2013, Fox.
U.S. Appl. No. 29/498,757, filed Aug. 7, 2014, Fox.

Primary Examiner — Cynthia Ramirez
(74) *Attorney, Agent, or Firm* — Remarck Law Group PLC

(57) **CLAIM**

The ornamental design for a limited slip differential, as shown and described.

DESCRIPTION

FIG. 1 is a perspective view of a limited slip differential showing the new design.
 FIG. 2 is a first side view of the limited slip differential of FIG. 1.
 FIG. 3 is a second side view of the limited slip differential of FIG. 1.
 FIG. 4 is a top view of the limited slip differential of FIG. 1.
 FIG. 5 is a bottom view of the limited slip differential of FIG. 1.
 FIG. 6 is a front view of the limited slip differential of FIG. 1; and,
 FIG. 7 is a rear view of the limited slip differential of FIG. 1.
 Any portion of the limited slip differential shown in broken lines is for the purpose of illustrating environment structure and forms no part of the claimed design.

Related U.S. Application Data

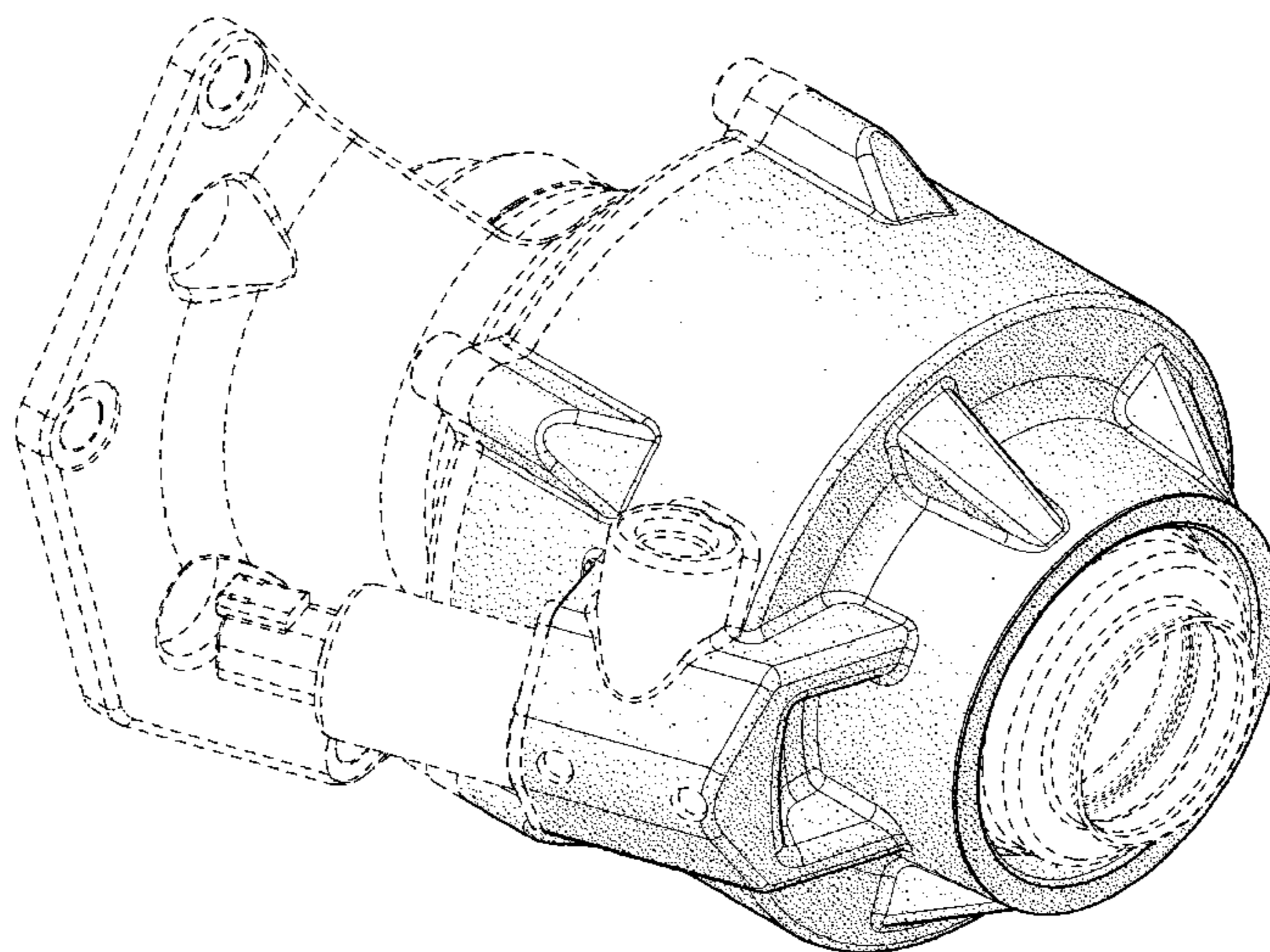
- (62) Division of application No. 29/498,757, filed on Aug. 7, 2014, now Pat. No. Des. 738,934, which is a division of application No. 29/456,974, filed on Jun. 5, 2013, now Pat. No. Des. 713,935.
- (51) **LOC (10) Cl.** **15-01**
- (52) **U.S. Cl.**
USPC **D15/5**
- (58) **Field of Classification Search**
USPC D23/233-237, 244-249; 137/505, 137/505.42, 116.3; 251/1-9, 288, 337; D15/5; 475/231, 249, 220, 230
CPC F16H 48/08; F16H 48/22; F16H 48/24; A61B 6/484; B60K 1/00
See application file for complete search history.

(56) **References Cited**

U.S. PATENT DOCUMENTS

- D215,438 S 10/1969 Holm
- D228,234 S 8/1973 Willetts

1 Claim, 7 Drawing Sheets



(56)

References Cited

U.S. PATENT DOCUMENTS

5,839,327 A	11/1998	Gage	7,357,748 B2	4/2008	Kelley, Jr.	
D403,049 S	12/1998	Ohtani et al.	D620,555 S	7/2010	Chuang et al.	
5,938,558 A	8/1999	Eybergen et al.	D622,350 S	8/2010	Gramegna et al.	
D416,922 S	11/1999	Lannoch	D629,493 S	12/2010	Dane et al.	
6,001,040 A	12/1999	Engle	D637,270 S	5/2011	Nicolia et al.	
6,168,545 B1	1/2001	Lowell	D642,592 S	8/2011	Sands	
D447,489 S	9/2001	Antony et al.	D676,110 S	2/2013	Oike et al.	
6,371,880 B1	4/2002	Kam	D681,172 S	4/2013	Fujita	
D460,526 S	7/2002	Weingarten	D686,249 S	7/2013	Roach	
6,462,655 B1	10/2002	Ha	D687,124 S	7/2013	Weingarten	
6,488,606 B1	12/2002	Young et al.	D691,703 S	10/2013	Iranyi et al.	
6,692,396 B1	2/2004	Grogg et al.	D692,100 S	10/2013	Freeth	
6,733,411 B1	5/2004	Kaplan et al.	D700,954 S	3/2014	Weingarten	
D496,091 S	9/2004	Katzman et al.	D702,735 S	4/2014	Sandou et al.	
D504,715 S	5/2005	Hagihara	D718,337 S	11/2014	Mitsuda	
7,318,511 B2	1/2008	Grogg	D738,934 S *	9/2015	Fox	D15/5
7,341,136 B2	3/2008	Park	2006/0172848 A1	8/2006	Hsieh	
D566,234 S	4/2008	Caron et al.	2010/0029434 A1	2/2010	Nakajima et al.	
			2014/0378263 A1	12/2014	Hayes et al.	
			2015/0080166 A1	3/2015	Forrest et al.	
			2015/0099602 A1	4/2015	Berndt et al.	

* cited by examiner

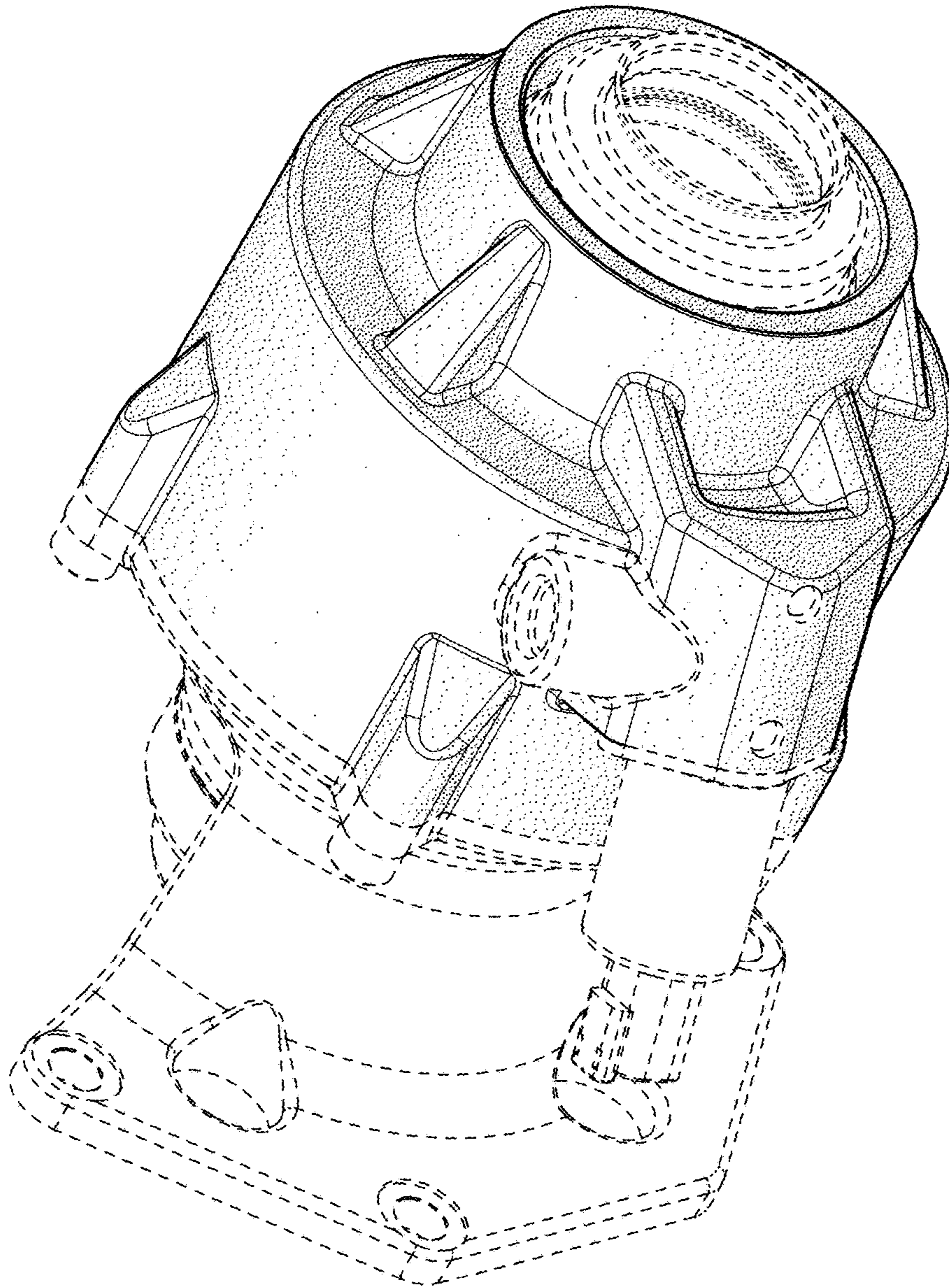


FIG. 1

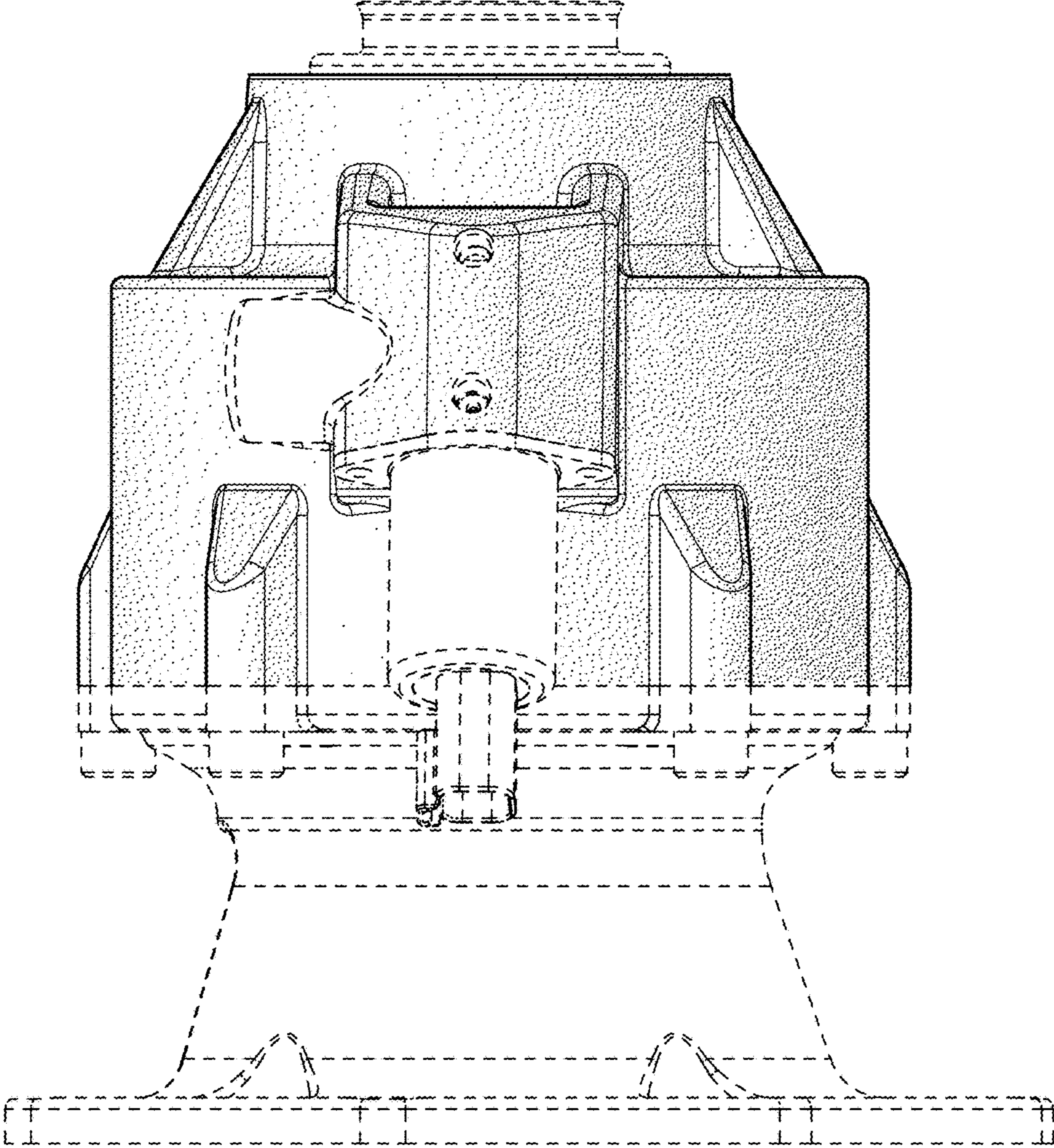


FIG. 2

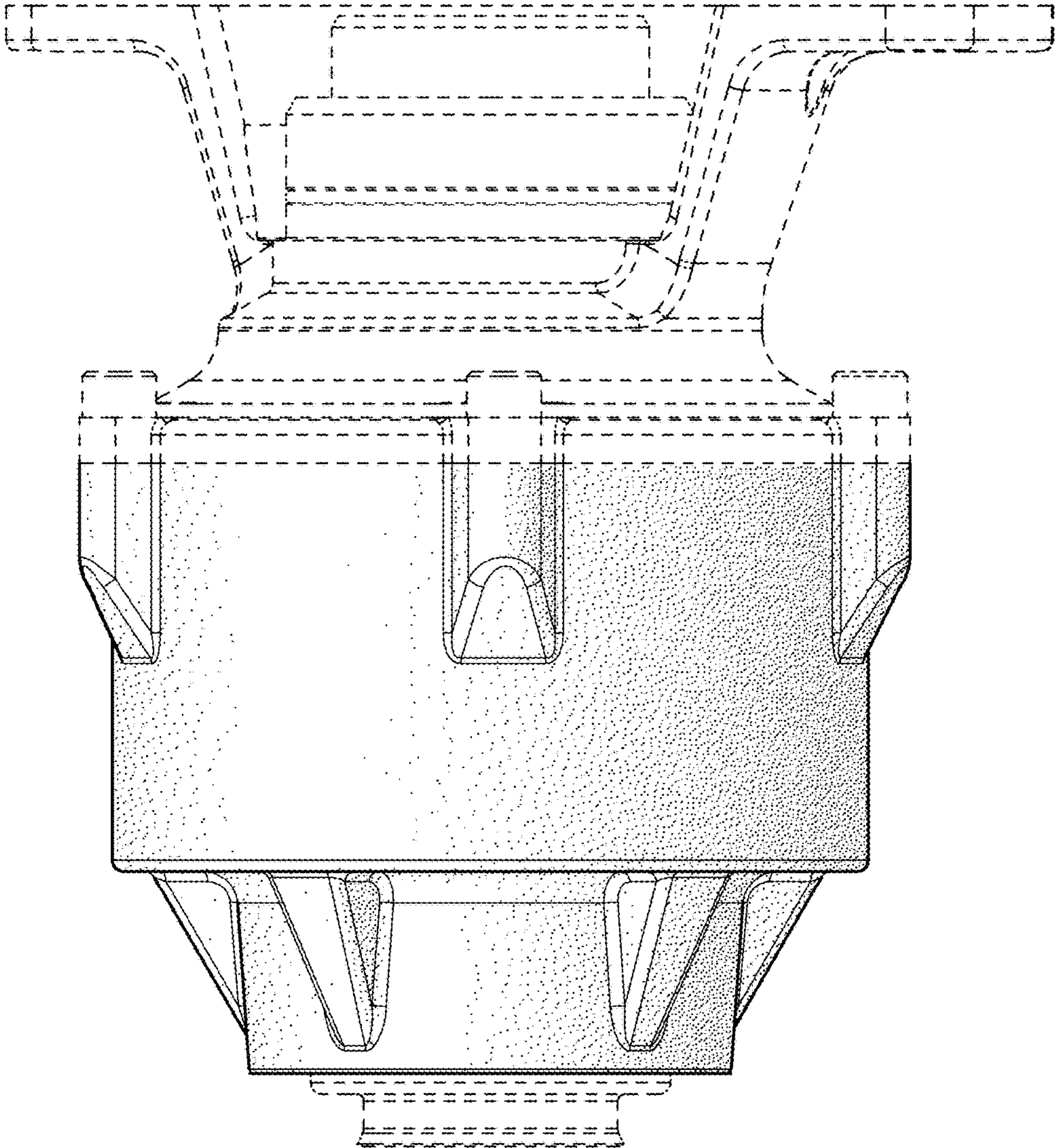


FIG. 3

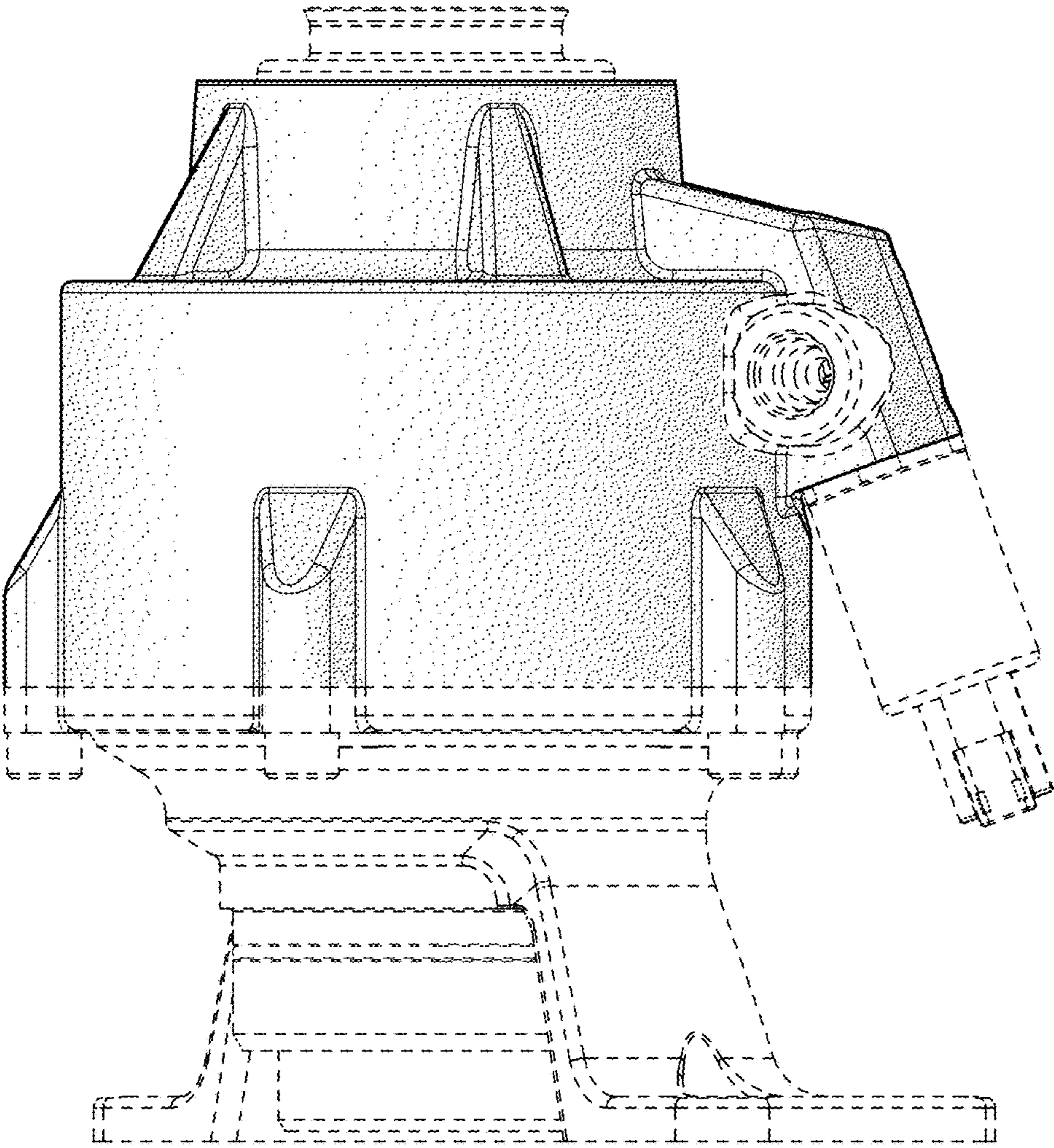


FIG. 4

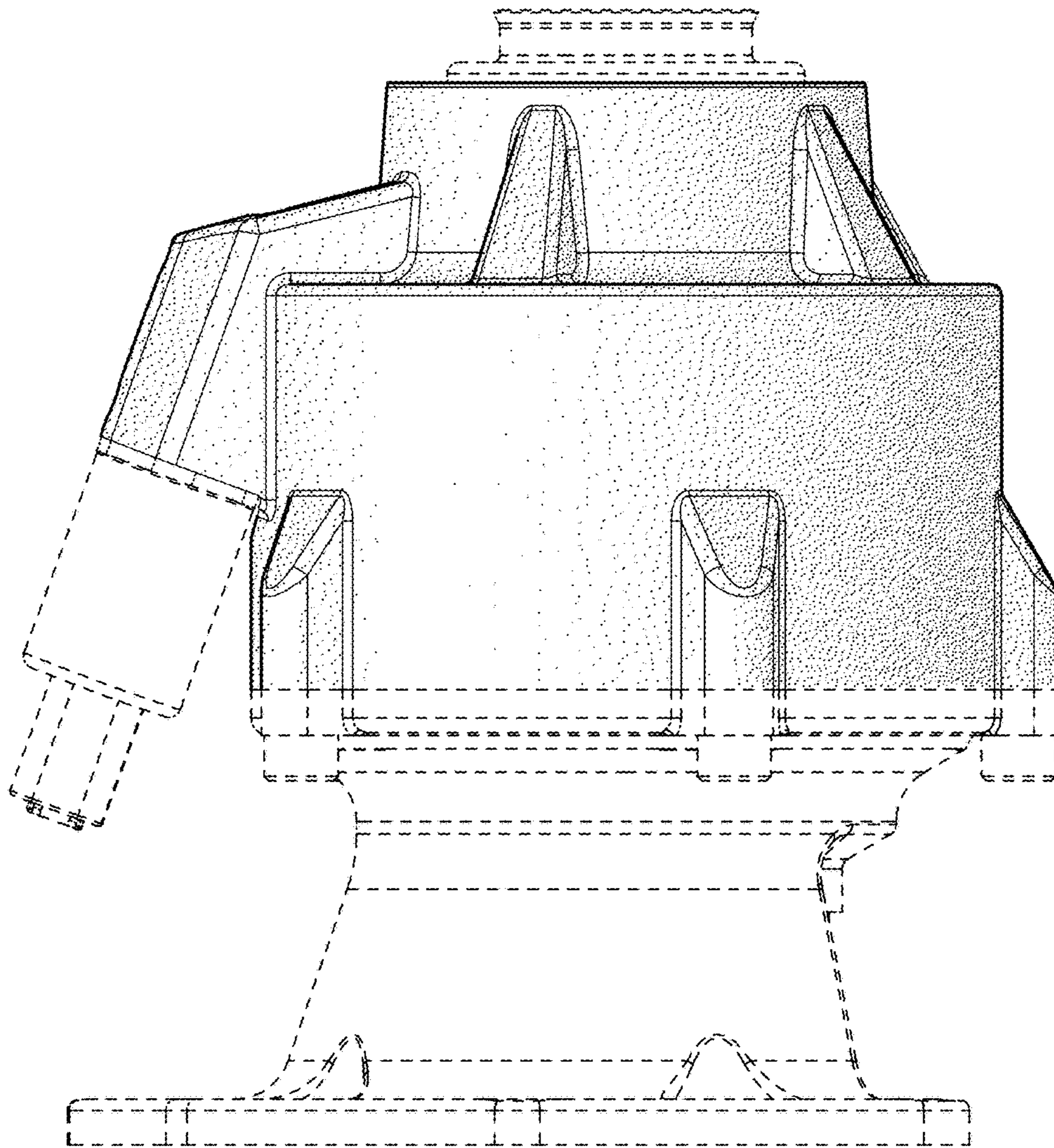


FIG. 5

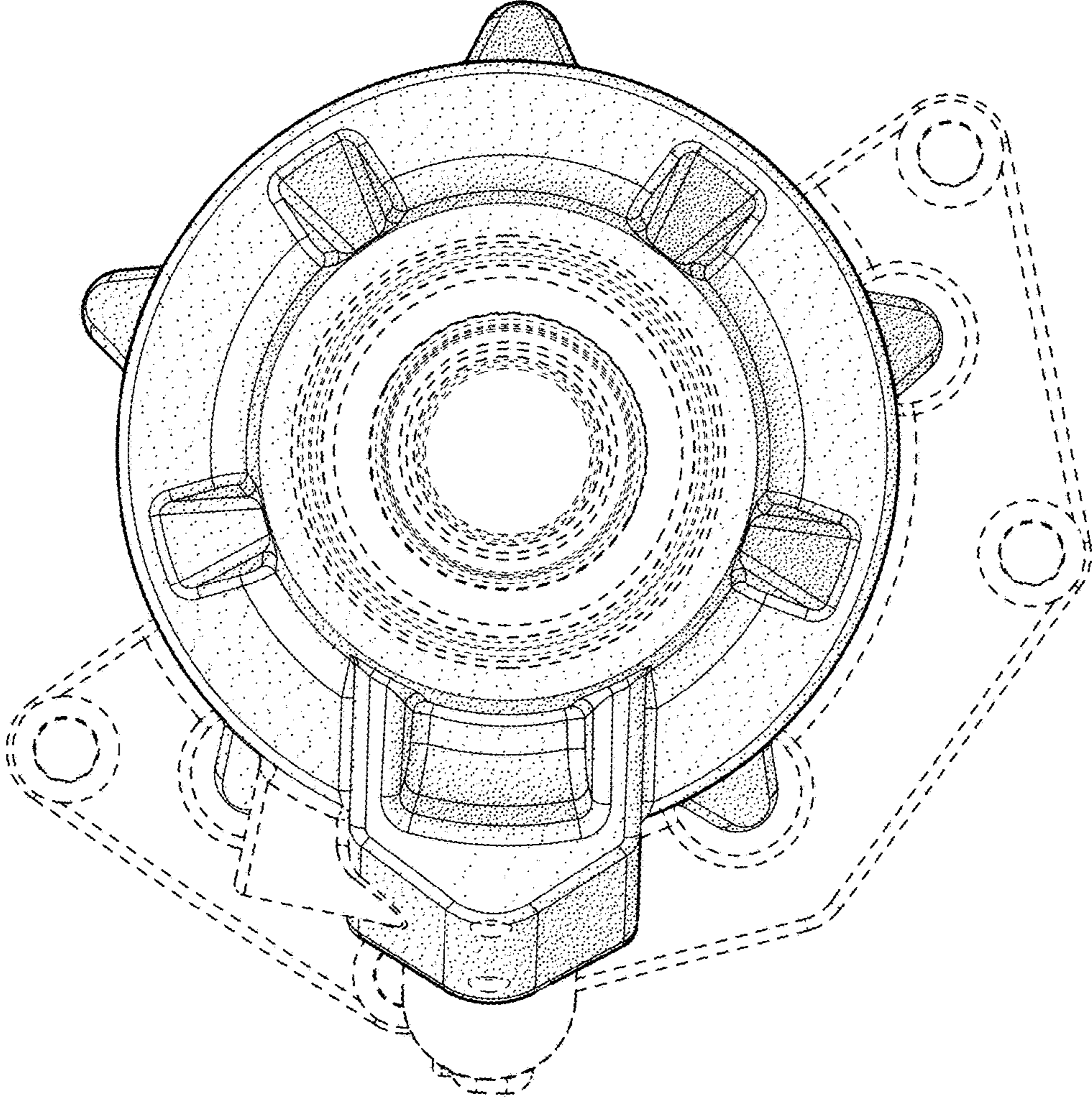


FIG. 6

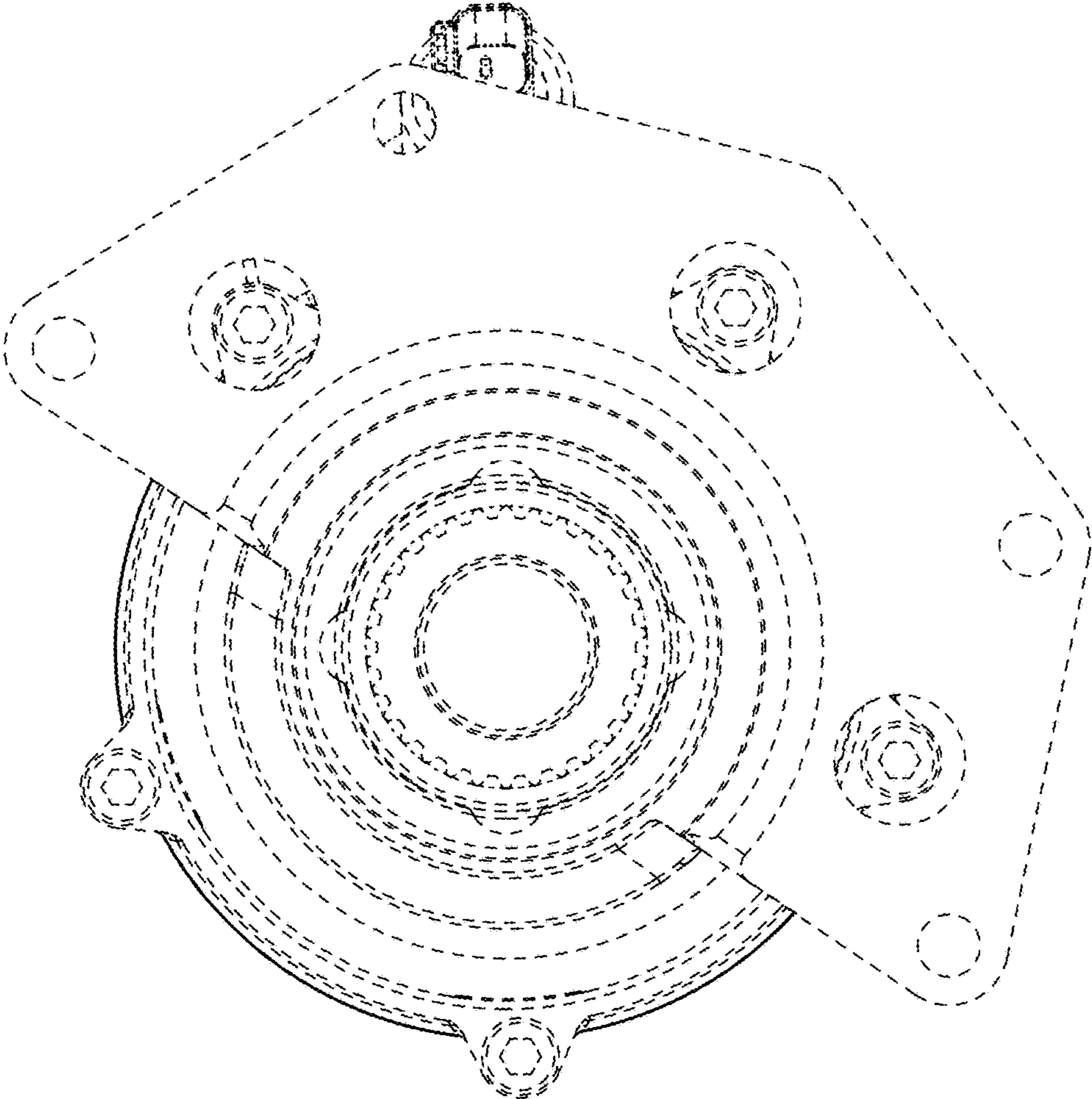


FIG. 7