



US00D782515S

(12) **United States Design Patent**
Dzjind et al.

(10) **Patent No.:** **US D782,515 S**

(45) **Date of Patent:** **** Mar. 28, 2017**

(54) **DISPLAY SCREEN WITH GRAPHICAL USER INTERFACE**

(71) Applicant: **Microsoft Corporation**, Redmond, WA (US)

(72) Inventors: **Telmen Dzjind**, Zuid (NL); **Anthony J. Giardini**, Seattle, WA (US)

(73) Assignee: **Microsoft Corporation**, Redmond, WA (US)

(**) Term: **15 Years**

(21) Appl. No.: **29/546,634**

(22) Filed: **Nov. 24, 2015**

(51) **LOC (10) Cl.** **14-04**

(52) **U.S. Cl.**
USPC **D14/486**

(58) **Field of Classification Search**
USPC D14/485-495
CPC A63F 2300/66; A63F 2300/8082; A63F 13/00; A63F 13/12; A63F 13/30; A63F 13/40

See application file for complete search history.

(56) **References Cited**

U.S. PATENT DOCUMENTS

6,047,292	A *	4/2000	Kelly	G06F 17/30017
					707/999.01
6,211,887	B1 *	4/2001	Meier	G06F 17/246
					345/440
D490,438	S *	5/2004	Greninger	D14/485
D550,240	S *	9/2007	Viegers	D14/489
D558,214	S *	12/2007	Parish	D14/486
D566,722	S *	4/2008	Jackson	D14/489
D588,154	S	3/2009	Bouchard et al.		
D598,027	S	8/2009	Carpenter et al.		
D602,942	S *	10/2009	Bennett	D14/485

D625,733	S *	10/2010	Anzures	D14/486
D644,243	S *	8/2011	Matas	D14/489
D647,914	S *	11/2011	Brouwers	D14/486
D670,733	S	11/2012	Guss et al.		
D675,221	S	1/2013	Impas et al.		
D676,865	S	2/2013	Phelan		
D677,270	S	3/2013	Wen et al.		
D677,690	S *	3/2013	Phelan	D14/487
D679,730	S	4/2013	Tyler et al.		
D681,663	S	5/2013	Phelan et al.		
D684,159	S *	6/2013	Wujcik	D14/485
D684,585	S *	6/2013	Plesnicher	D14/486
D684,586	S *	6/2013	Plesnicher	D14/486

(Continued)

OTHER PUBLICATIONS

GF LaserBolt GamerFuzion, How to configure your xbox one elite, Nov. 2, 2015, youtube.com [online], [site visited Oct. 13 2016]. Available from Internet: <https://www.youtube.com/watch?v=7-u9BQ_GX3A>.*

(Continued)

Primary Examiner — Karen Kearney
Assistant Examiner — Katherine Holbrow
(74) *Attorney, Agent, or Firm* — Banner & Witcoff, Ltd.

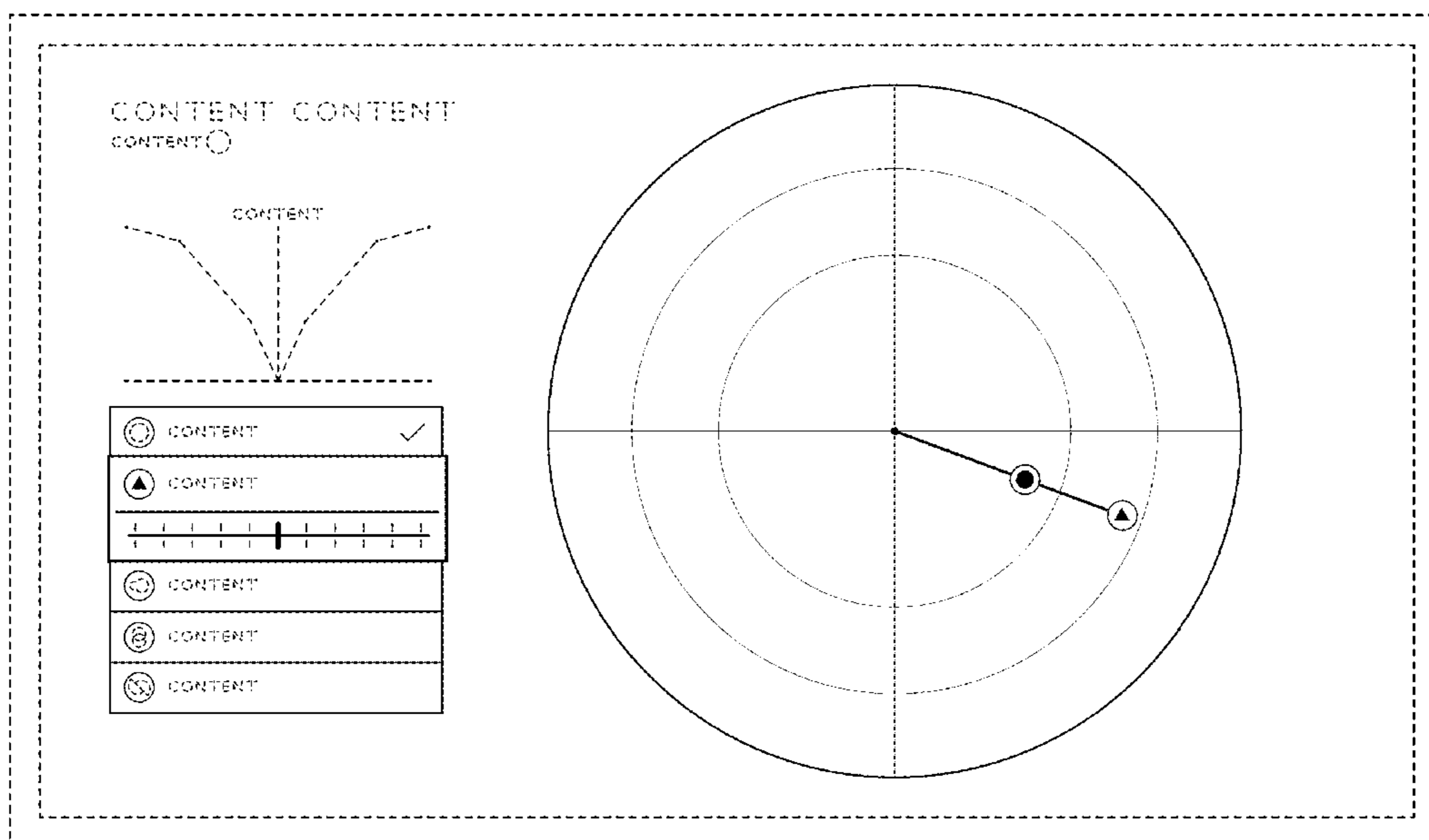
(57) **CLAIM**

The ornamental design for a display screen with graphical user interface, as shown and described.

DESCRIPTION

The FIGURE is a front view of a display screen with graphical user interface showing our new design. The broken line showing of the remainder of the graphical user interface and the remainder of the display screen are for the purposes of illustrating portions of the article and form no part of the claimed design.

1 Claim, 1 Drawing Sheet



(56)

References Cited

U.S. PATENT DOCUMENTS

D684,587 S * 6/2013 Plesnicher D14/486
 D685,391 S * 7/2013 Blissbach D14/492
 D691,159 S * 10/2013 Boush D14/486
 D693,831 S * 11/2013 Edwards D14/485
 D697,076 S * 1/2014 Oda D14/486
 D697,080 S * 1/2014 Scholz D14/489
 D697,523 S * 1/2014 Oda D14/486
 D699,737 S * 2/2014 Pearson D14/486
 D699,750 S * 2/2014 Pearson D14/488
 D700,197 S * 2/2014 Akcasu D14/486
 D702,253 S * 4/2014 Kotler D14/487
 D706,791 S 6/2014 Sassoon
 D713,412 S * 9/2014 Gall D14/485
 D715,313 S * 10/2014 Hontz, Jr. D14/485
 D716,316 S * 10/2014 Behzadi D14/485
 D716,327 S * 10/2014 Schoger D14/486
 D716,832 S * 11/2014 Schoger D14/486
 D721,091 S 1/2015 Barling et al.
 D728,616 S * 5/2015 Gomez D14/491
 D729,819 S 5/2015 Beaty
 D731,523 S 6/2015 Frew et al.
 D736,822 S 8/2015 Tursi et al.
 D737,849 S 9/2015 Tursi et al.
 D740,301 S * 10/2015 Soegiono G06F 3/04817
 D743,412 S * 11/2015 Danielyan D14/485
 D747,333 S * 1/2016 Supino D14/486
 D747,352 S * 1/2016 Lee D14/492
 D749,093 S 2/2016 Lee et al.
 D753,670 S * 4/2016 Tian D14/485
 D753,712 S * 4/2016 Lee G06F 3/04817
 D754,714 S * 4/2016 Zhang D14/487
 D755,830 S 5/2016 Chaudhri et al.
 D757,772 S * 5/2016 Jin D14/486
 D758,403 S * 6/2016 Lee D14/486
 D759,684 S * 6/2016 Bijlani D14/486
 D760,237 S * 6/2016 Sabadosh D14/485
 D760,790 S * 7/2016 Ishii G06F 3/04817
 D761,840 S * 7/2016 Patterson D14/488

D764,549 S * 8/2016 Cavander G06F 3/04817
 D14/494
 D765,096 S * 8/2016 Yang D14/485
 D765,672 S * 9/2016 Raff D14/485
 D765,681 S * 9/2016 Nagel D14/486
 2010/0229130 A1* 9/2010 Edge G06F 3/04883
 715/863
 2012/0069131 A1* 3/2012 Abelow G06Q 10/067
 348/14.01
 2013/0127911 A1* 5/2013 Brown G06F 3/04886
 345/649
 2014/0082555 A1* 3/2014 Wallace G06F 3/03549
 715/830
 2014/0181650 A1 6/2014 Polubinski
 2014/0256427 A1* 9/2014 Wolff-Petersen A63F 13/22
 463/30
 2014/0349750 A1* 11/2014 Thompson A63F 13/12
 463/31
 2016/0062568 A1 3/2016 Takiguchi et al.
 2016/0085410 A1 3/2016 Kwon et al.
 2016/0110064 A1 4/2016 Shapira

OTHER PUBLICATIONS

Alex, Xbox One Elite Controller vs Scuf One, Oct. 28, 2015, youtube.com [online], [site visited Oct. 24 2016]. Available from Internet: <<https://www.youtube.com/watch?v=0PmbgDpRNHQ>>.*
 “Elements Design: Thin Round Icons”, posted at okilla.com, Mar. 21, 2015, [site visited Jun. 3, 2016]. Available from Internet: <<https://web.archive.org/web/20150321220222/http://www.okilla.com/1006/resource-thin-round-icons-psd>>.
 Patowary, Kaushik, “2800+ Metro Tiles/Icons for Windows 8 Start Screen”, posted at instantfundas.com, Nov. 15, 2012 [site visited Jun. 3, 2016]. Available from Internet: <http://www.instantfundas.com/2012/11/2800-metro-tilesicons-ror-windows-8.html>.
 Cafazza, John, “Cir•Cu•Lar Icons”, posted at dribbble.com, Apr. 17, 2014, [site visited Jun. 3, 2016]. Available from Internet: <<https://dribbble.com/shots/1514135-Cir-Cu-Lar-Icons>>.
 Jul. 18, 2016—(US) Notice of Allowance—U.S. Appl. No. 29/546,628, filed Nov. 24, 2015; Inv.: Telman Dzjind.

* cited by examiner

