



US00D782498S

(12) **United States Design Patent**
Krafft

(10) **Patent No.:** **US D782,498 S**
(45) **Date of Patent:** **** Mar. 28, 2017**

(54) **DISPLAY SCREEN PORTION HAVING A GRAPHICAL USER INTERFACE FOR DETERMINING OPTIMAL TIMES FOR OUTDOOR ACTIVITIES BASED ON OUTDOOR CONDITIONS**

7,212,922 B1 5/2007 Longacre et al.
D553,627 S * 10/2007 Blencowe D14/486
D595,304 S * 6/2009 Rasmussen D14/486
8,239,784 B2 8/2012 Hotelling et al.

(Continued)

(71) Applicant: **KrafftIT, Inc.**, Los Angeles, CA (US)

(72) Inventor: **Fredrik Krafft**, Los Angeles, CA (US)

(73) Assignee: **KrafftIT, Inc.**, Los Angeles, CA (US)

(**) Term: **14 Years**

(21) Appl. No.: **29/523,657**

(22) Filed: **Apr. 13, 2015**

Related U.S. Application Data

(63) Continuation of application No. 14/526,399, filed on Oct. 28, 2014.

(51) **LOC (10) Cl.** **14-04**

(52) **U.S. Cl.**
USPC **D14/485**

(58) **Field of Classification Search**
USPC D14/485-495; 715/739, 810, 859
CPC G06F 3/0482; G06F 3/04817; G06F 3/04842; G06F 3/04847; G06F 3/04886; G06F 2203/04803; G06F 2203/04808; G01C 21/00

See application file for complete search history.

(56) **References Cited**

U.S. PATENT DOCUMENTS

D418,495 S * 1/2000 Brockel D14/486
6,584,447 B1 6/2003 Fox et al.

OTHER PUBLICATIONS

Inhale app | posted at krafftit.com, posting date not given [site visited May 4, 2016] [online]. Available from Internet: <http://www.krafftit.com/>.*

(Continued)

Primary Examiner — Sandra Snapp

Assistant Examiner — Katherine Glennon

(74) *Attorney, Agent, or Firm* — K&L Gates LLP

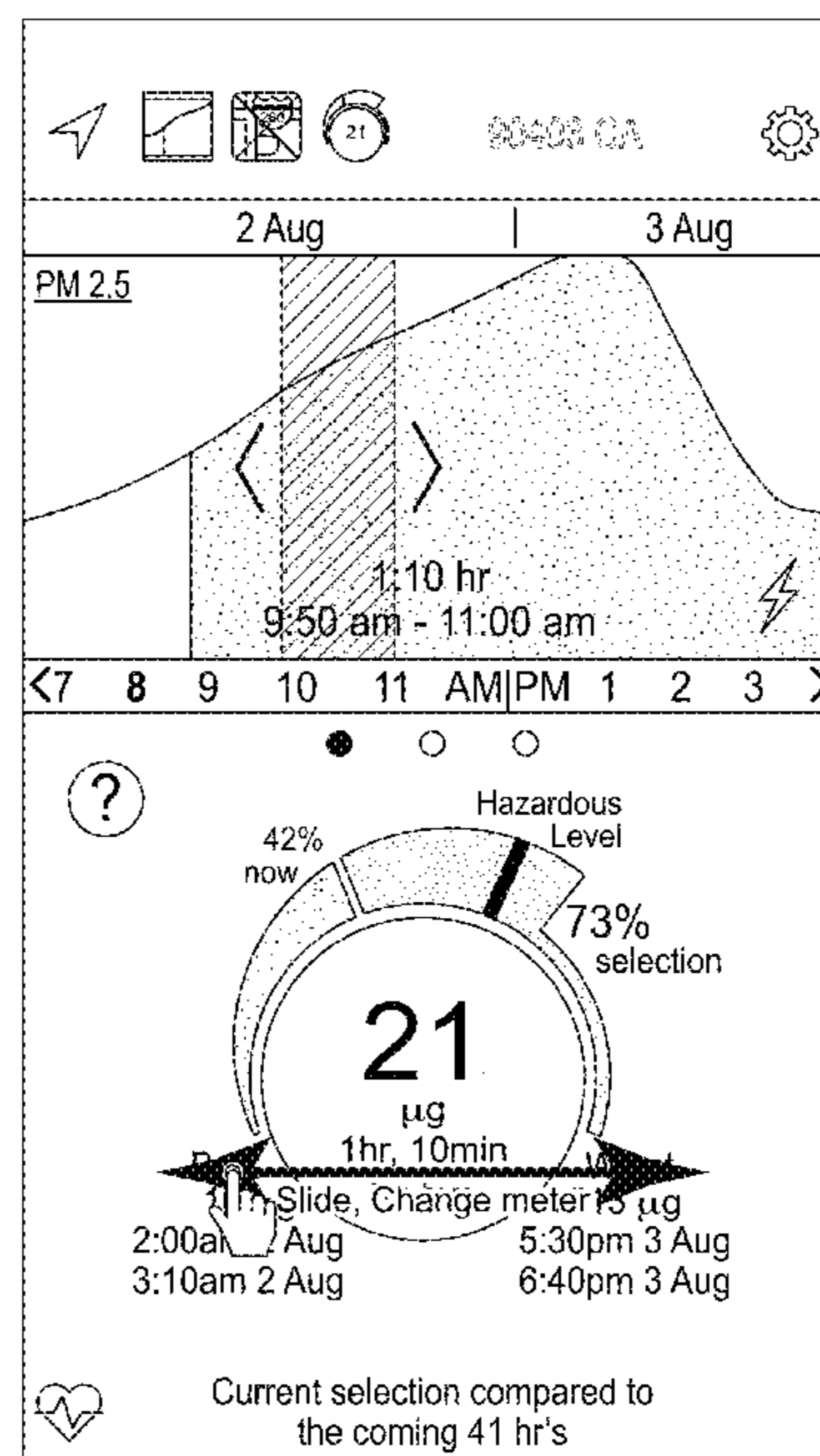
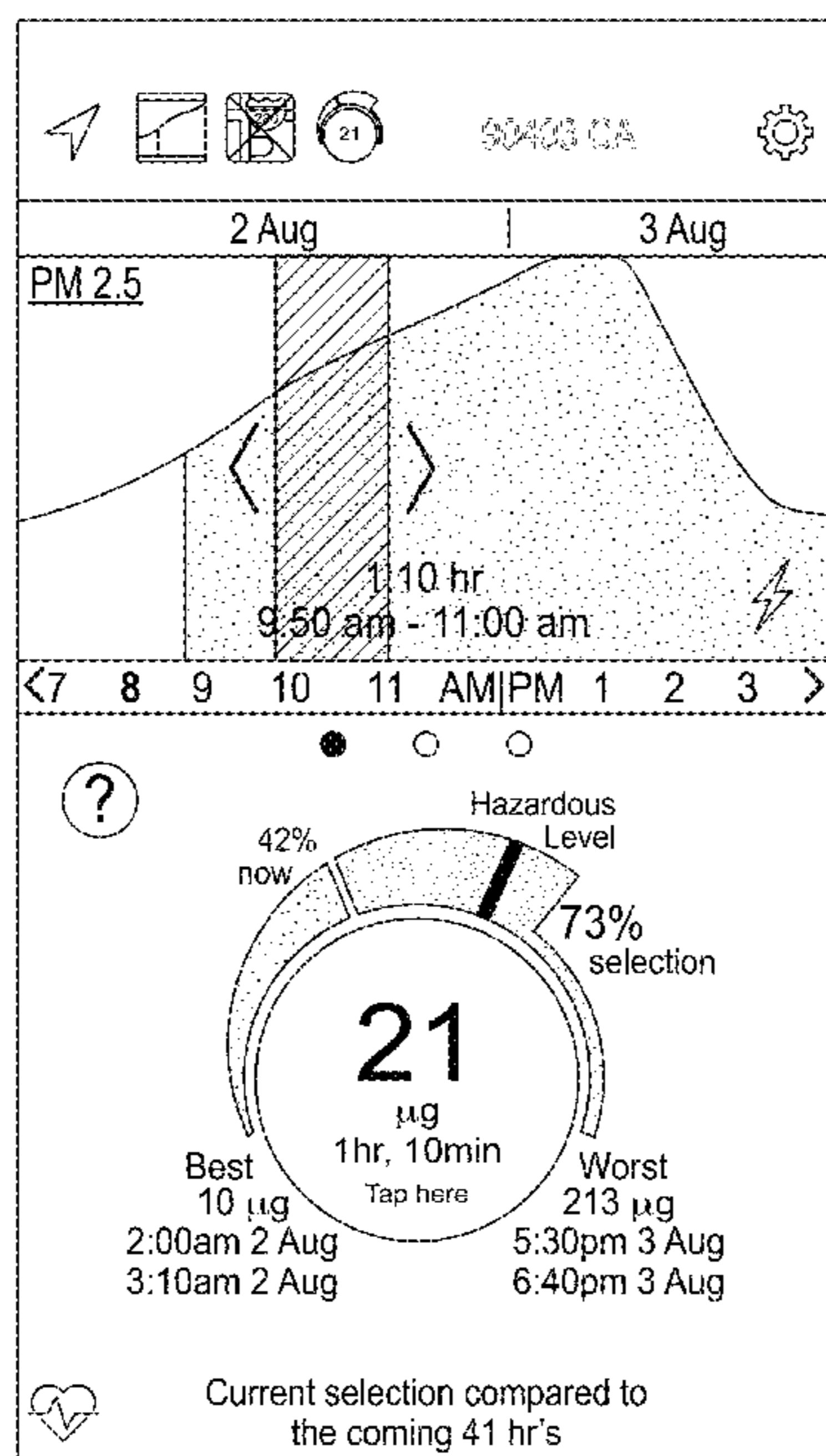
(57) **CLAIM**

The ornamental design for a display screen portion having a graphical user interface for determining optimal times for outdoor activities based on outdoor conditions, as shown and described.

DESCRIPTION

FIG. 1 is a front view of a display screen portion having a graphical user interface for determining optimal times for outdoor activities based on outdoor conditions; FIG. 2 is a front view of a second image thereof; FIG. 3 is a front view of a third image thereof; FIG. 4 is a front view of a fourth image thereof; FIG. 5 is a front view of a fifth image thereof; FIG. 6 is a front view of a sixth image thereof; and, FIG. 7 is a front view of a seventh image thereof. The outer edge of the portion of the display screen is understood to be congruent with the outer edge of the graphical user interface.

1 Claim, 7 Drawing Sheets



(56)

References Cited

U.S. PATENT DOCUMENTS

D673,967	S *	1/2013	Pearcy	D14/486
D674,403	S *	1/2013	Pearcy	D14/486
8,479,122	B2	7/2013	Hotelling et al.	
D689,083	S *	9/2013	Pasceri	D14/486
D696,680	S *	12/2013	Bae	D14/486
D701,240	S *	3/2014	Campiranon	D14/489
D706,812	S *	6/2014	Peterson	D14/488
D708,196	S *	7/2014	Pasceri	D14/486
D725,133	S *	3/2015	Smirin	D14/486
D748,126	S *	1/2016	Sarukkai	D14/486
D765,718	S *	9/2016	Vinna	D14/488
D767,629	S *	9/2016	Gupta	D14/492
D768,142	S *	10/2016	Lee	D14/485
D770,474	S *	11/2016	Loosli	D14/485
2012/0084248	A1	4/2012	Gavrilescu	
2013/0237204	A1 *	9/2013	Buck	H04M 1/72569 455/418
2014/0039787	A1 *	2/2014	Bourne	G01C 21/20 701/400
2014/0136089	A1 *	5/2014	Hranac	G08G 1/0962 701/118
2014/0282016	A1 *	9/2014	Hosier, Jr.	H04W 4/08 715/733
2016/0117372	A1 *	4/2016	Krafft	G06F 17/30572 715/739

OTHER PUBLICATIONS

International Search Report for International Application No. PCT/
US2015/057342 mailed Feb. 5, 2016.

* cited by examiner

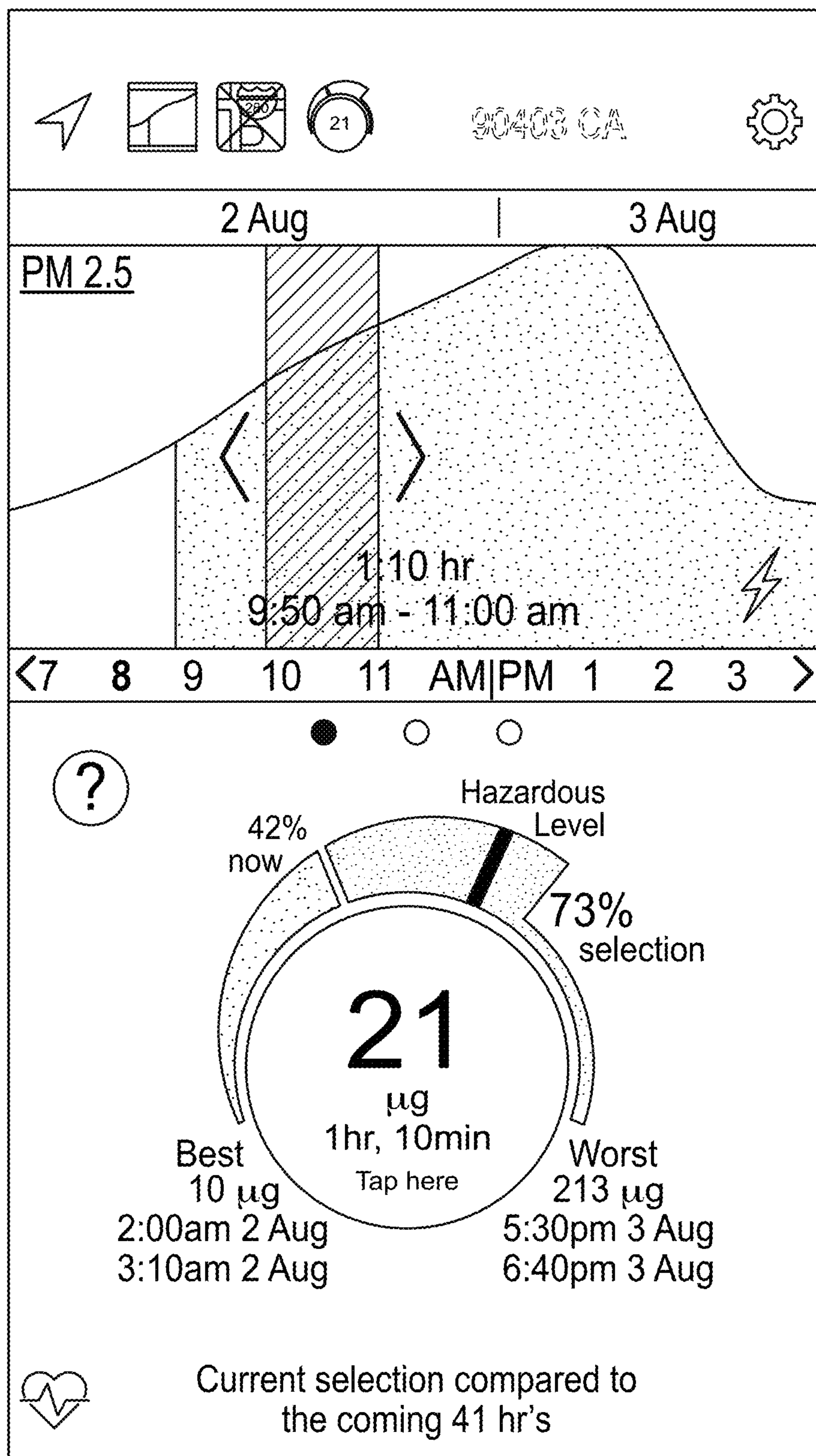


FIG. 1

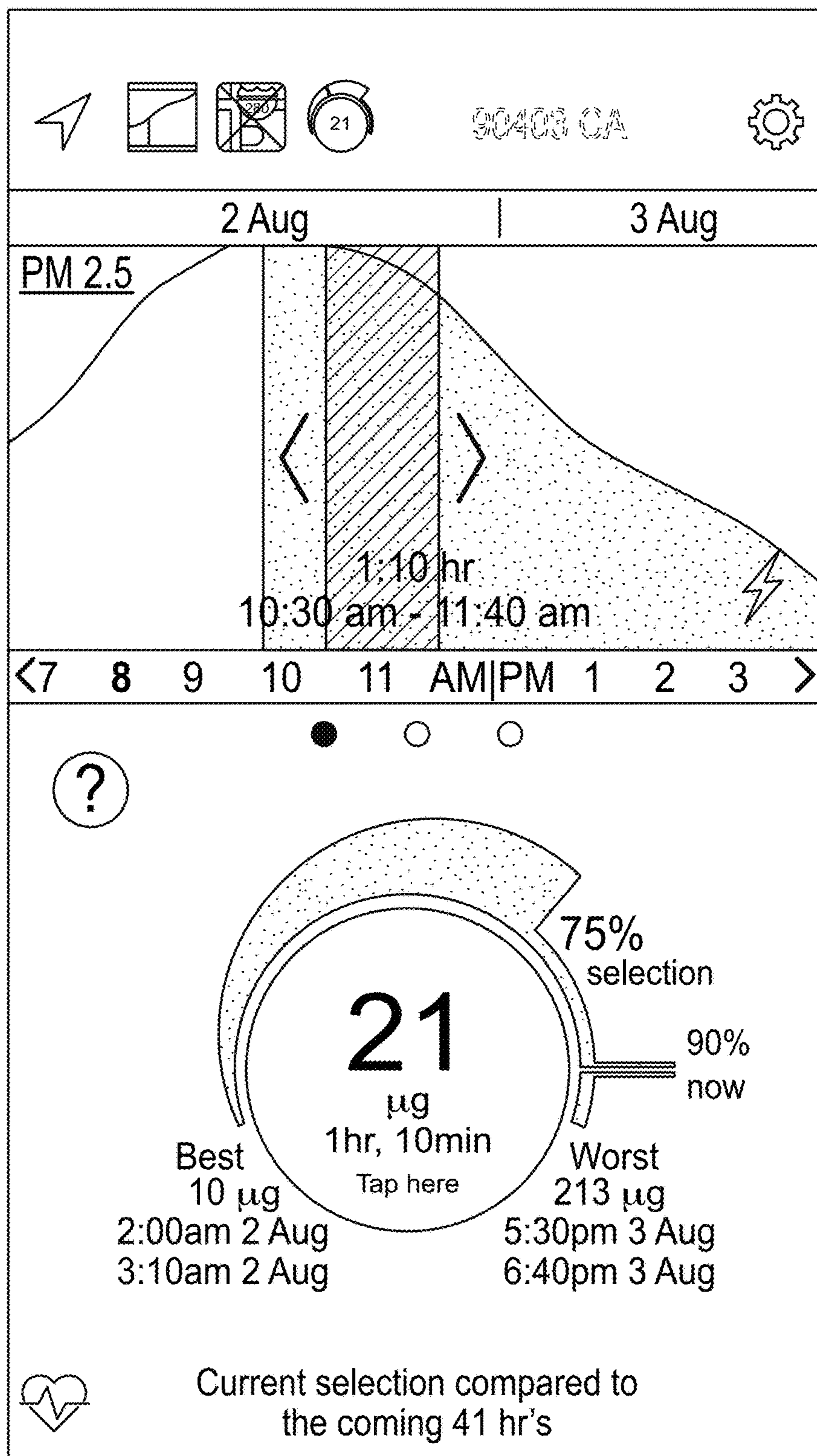


FIG. 2

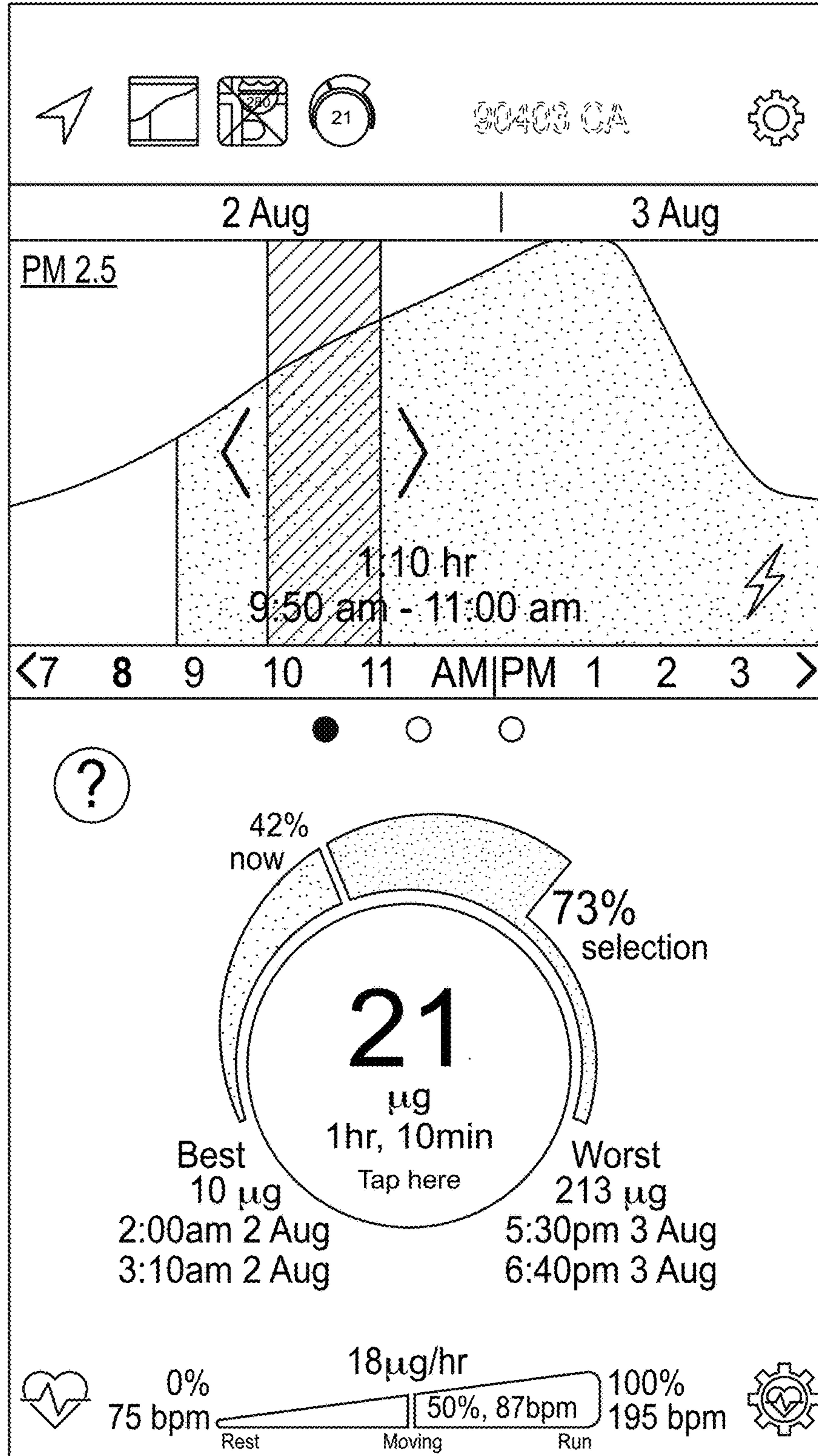


FIG. 3

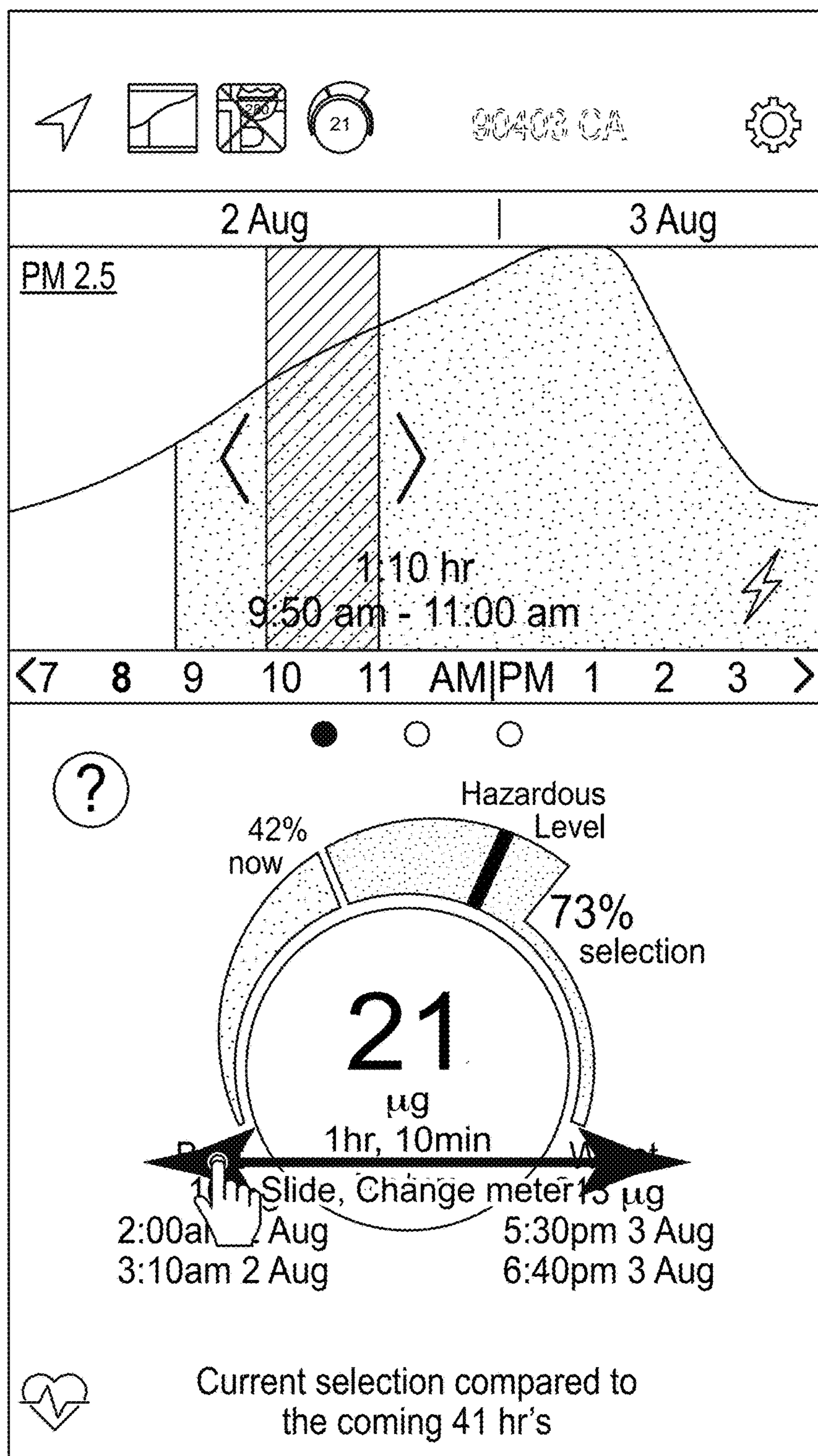


FIG. 4

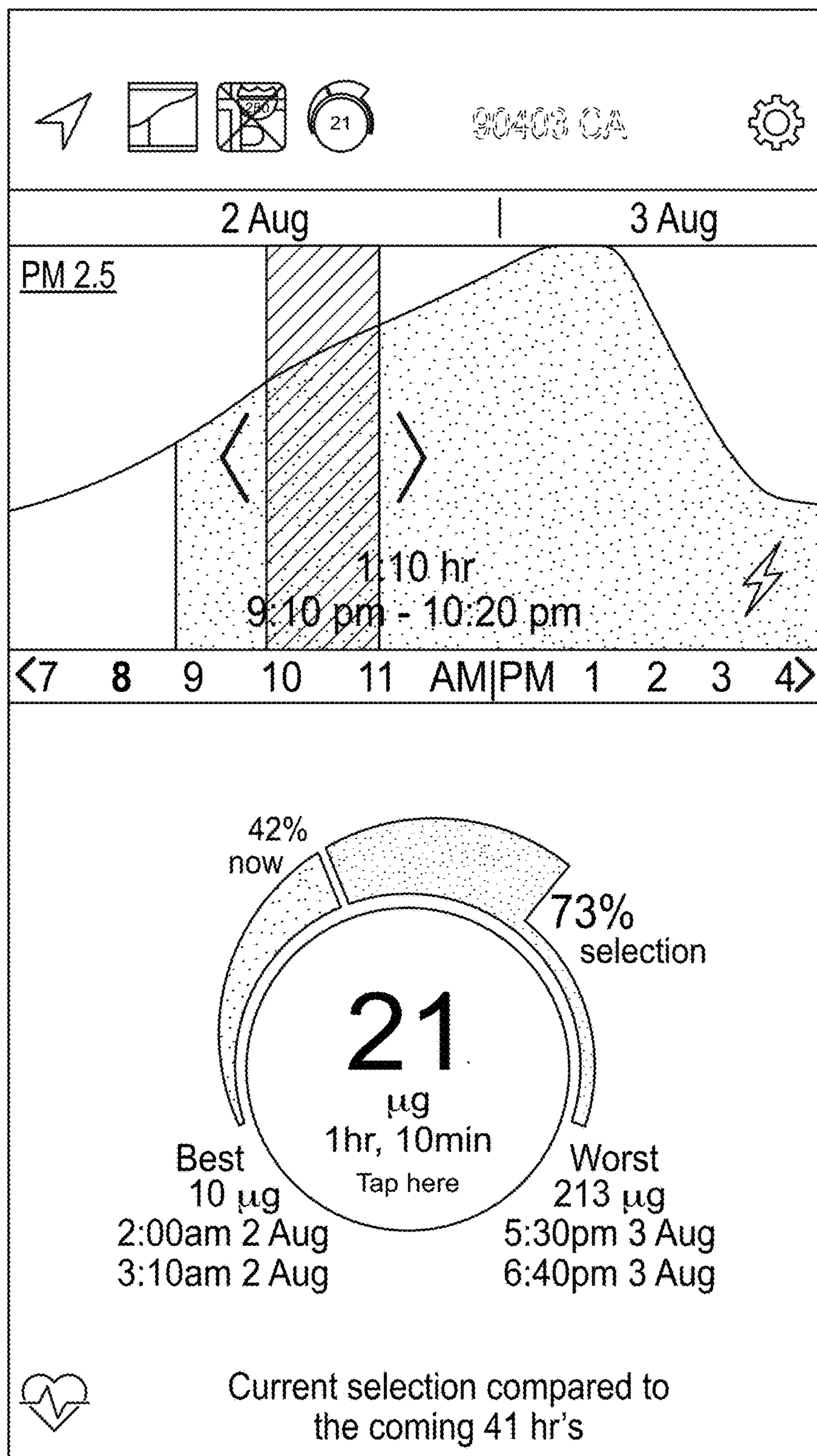


FIG. 5

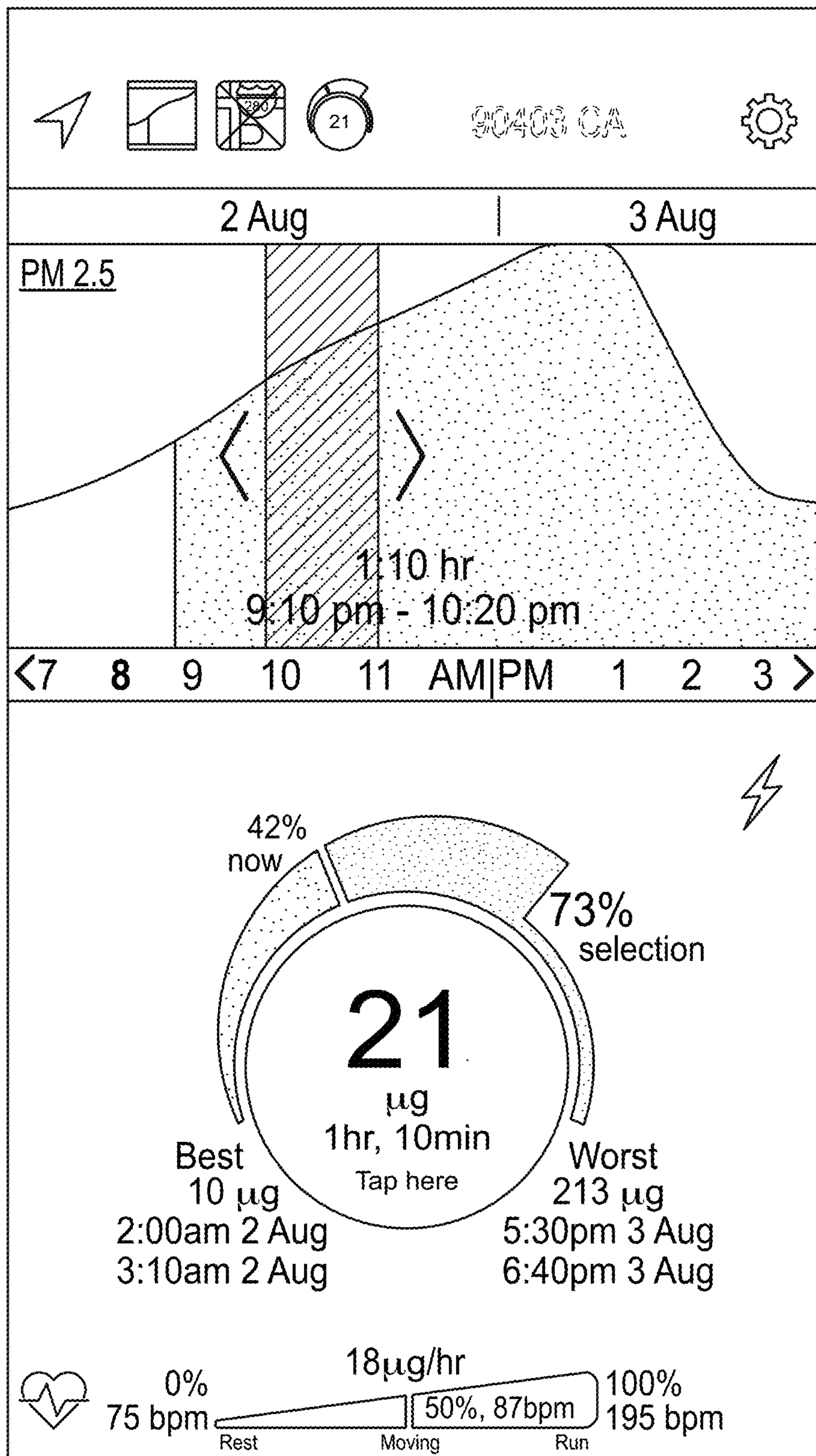


FIG. 6

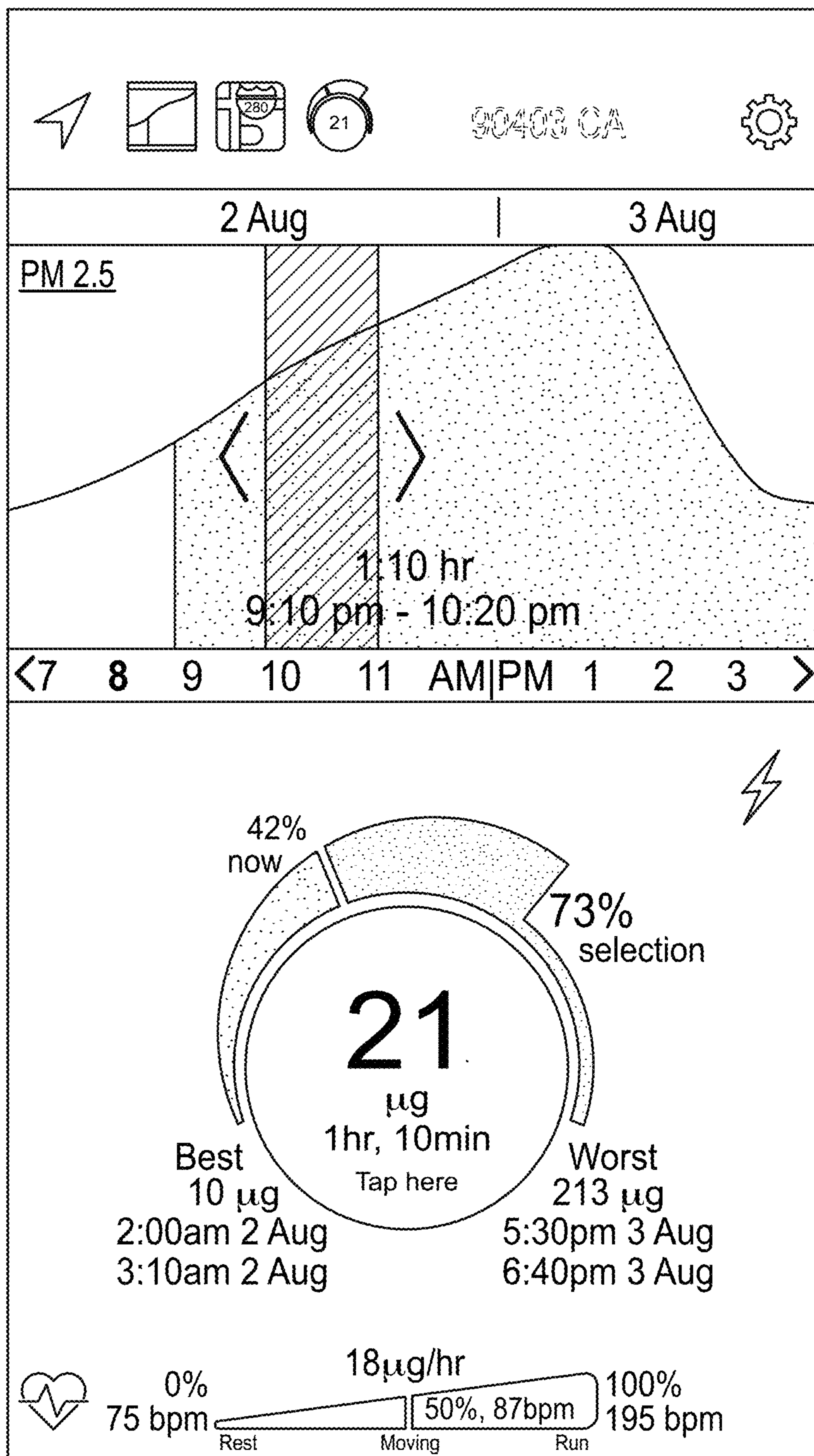


FIG. 7