



US00D782493S

(12) **United States Design Patent** (10) **Patent No.:** **US D782,493 S**
Lu (45) **Date of Patent:** **** Mar. 28, 2017**

(54) **STAND FOR A DISPLAY**

(56) **References Cited**

(71) Applicant: **Yen-Wen Lu**, Taipei (TW)
(72) Inventor: **Yen-Wen Lu**, Taipei (TW)
(73) Assignee: **COMPAL ELECTRONICS, INC.**,
Taipei (TW)
(**) Term: **15 Years**
(21) Appl. No.: **29/528,856**
(22) Filed: **Jun. 2, 2015**
(51) **LOC (10) Cl.** **08-07**
(52) **U.S. Cl.**
USPC **D14/451**
(58) **Field of Classification Search**
USPC D14/371-382, 125-129, 336, 337,
D14/447-452, 492, 335, 239, 457,
D14/439-441, 432, 251-253; D8/349,
D8/354, 363, 373, 376, 380; D21/333;
D12/415; D3/218; 348/180, 184, 325,
348/739, 825
CPC G06F 3/0412; G06F 3/016; G06F 3/0488;
G06F 3/011; G06F 3/038; G06F 3/03543;
G06F 3/0338; G06F 3/0202; G06F
3/0219; G06F 3/0213; G06F 1/1616;
G06F 3/023; G06F 3/04883; G02F
1/13338; G02F 1/1313; G02F 1/1333;
G02F 1/135; G02F 1/132; G02F
1/133308; G02F 1/134309; G02F
1/13718; G09G 3/3648; G06K 15/1252;
B41J 2/465; G03F 7/70291; G02B
27/0172; G02B 5/30; G02B 2027/0118;
G02B 27/0101; F16M 13/02; F16M
13/00; F16M 11/10; F16M 11/04; F16M
2200/08; F16M 11/2021; A47B 21/0314;
A47B 88/044; A47B 2021/0335; H02G
3/126; F16B 47/00; F16B 47/006; A47G
1/17; A47K 2201/00

U.S. PATENT DOCUMENTS

D620,903 S *	8/2010	Song	D14/126
D666,165 S *	8/2012	Kim	D14/126
D680,106 S *	4/2013	Hwangbo	D14/239
D716,244 S *	10/2014	Kim	D14/126
D718,287 S *	11/2014	Lee	D14/239
D718,751 S *	12/2014	Ann	D14/239
D719,119 S *	12/2014	Park	D14/126
D725,063 S *	3/2015	Cho	D14/126
D726,195 S *	4/2015	Snyder	D14/451
D727,879 S *	4/2015	Lee	D14/239
D731,994 S *	6/2015	Won	D14/126
D742,364 S *	11/2015	Reinhertz	D14/239

(Continued)

Primary Examiner — Garth Rademaker
Assistant Examiner — Katie Stofko Mroczka
(74) *Attorney, Agent, or Firm* — Jianq Chyun IP Office

(57) **CLAIM**

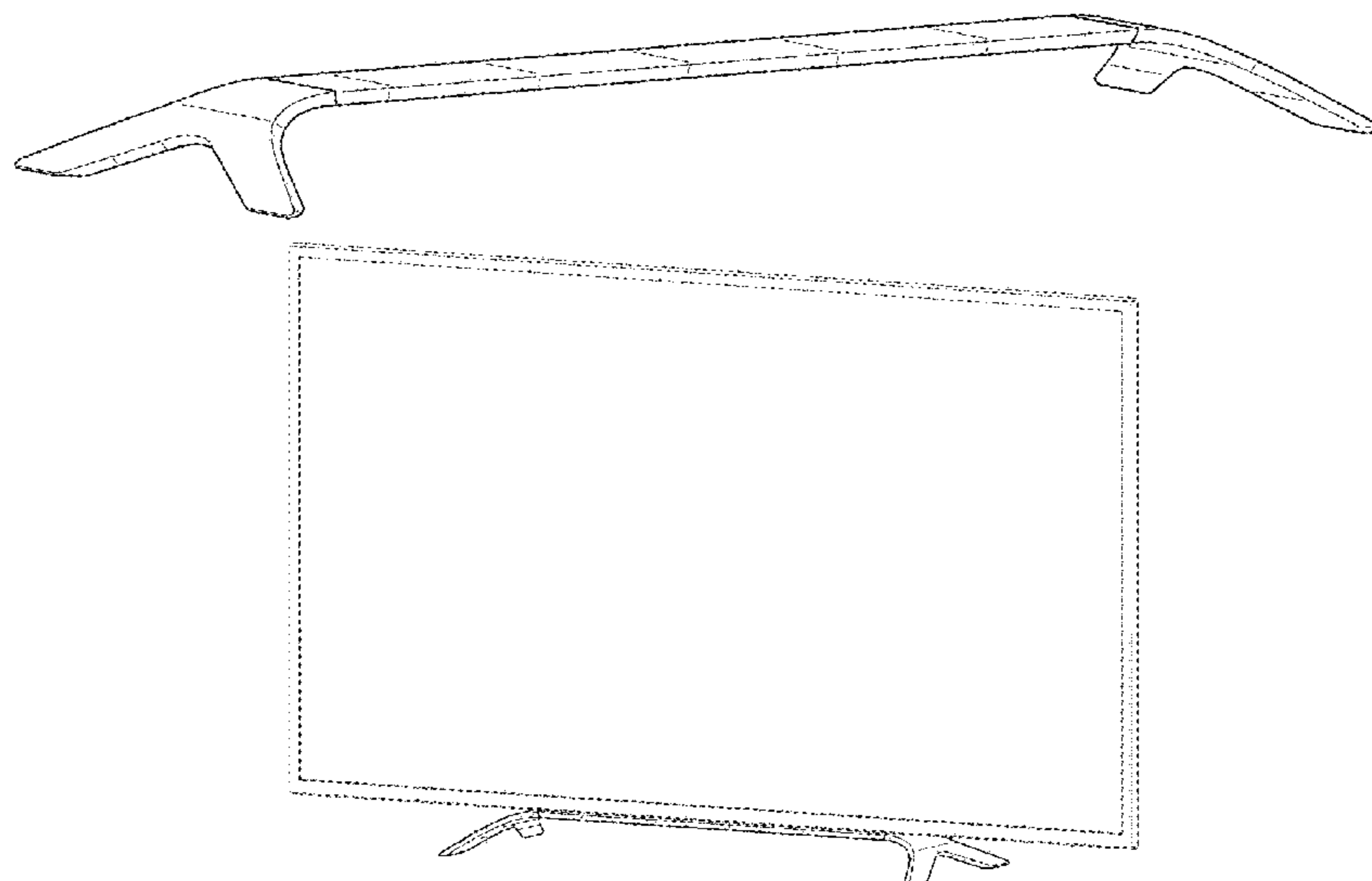
The ornamental design for a stand for a display, as shown and described.

DESCRIPTION

FIG. 1 is a perspective view of a stand for a display showing my new design;
FIG. 2 is a front view thereof;
FIG. 3 is a rear view thereof;
FIG. 4 is a left side view thereof;
FIG. 5 is a right side view thereof;
FIG. 6 is a top view thereof;
FIG. 7 is a bottom view thereof; and,
FIG. 8 is a perspective view of a stand for a display with a display being supported thereon.
The broken lines shown in FIG. 8 illustrate the environment of the stand for a display that forms no part of the claimed design.

See application file for complete search history.

1 Claim, 6 Drawing Sheets



(56)

References Cited

U.S. PATENT DOCUMENTS

D743,385 S * 11/2015 Ann D14/239

* cited by examiner

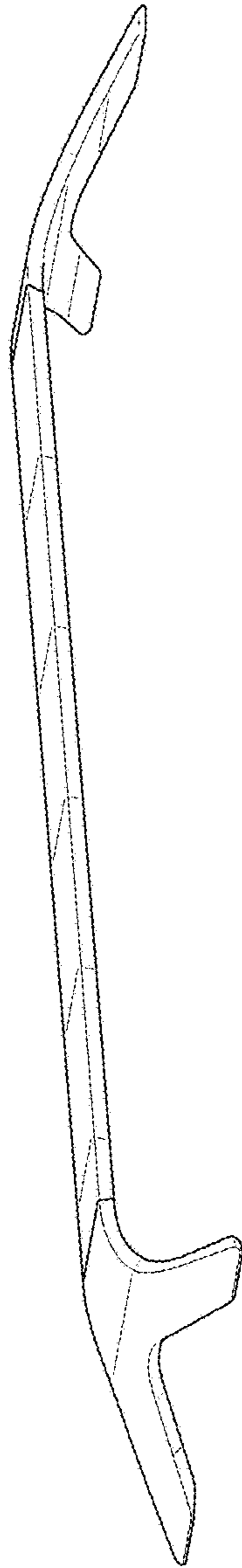


FIG. 1

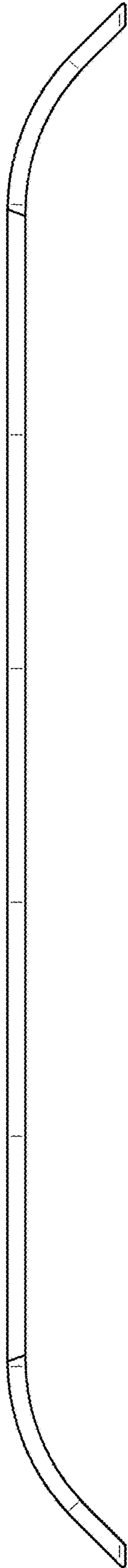


FIG. 2

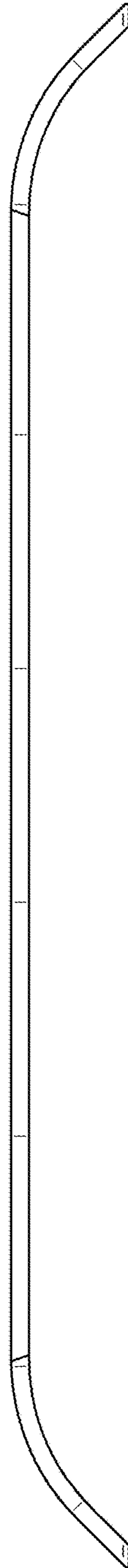


FIG. 3

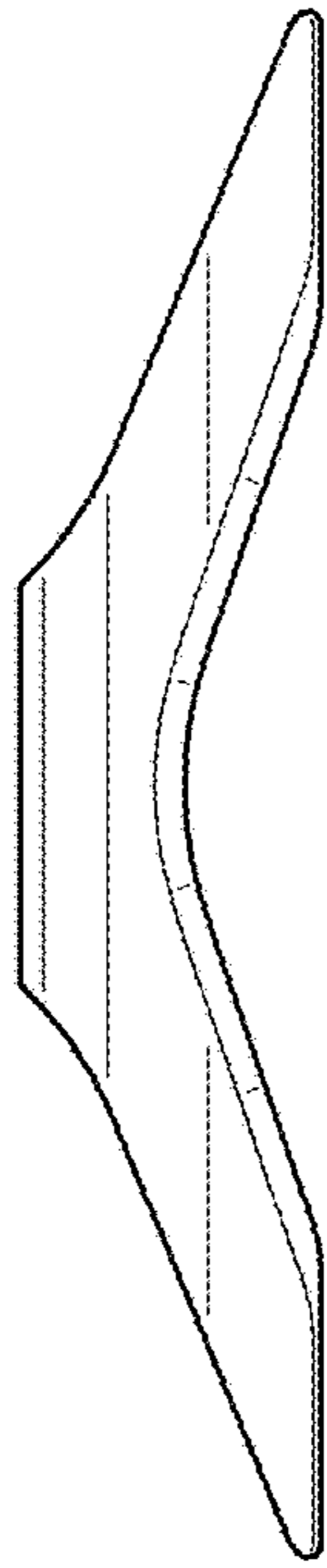


FIG. 4

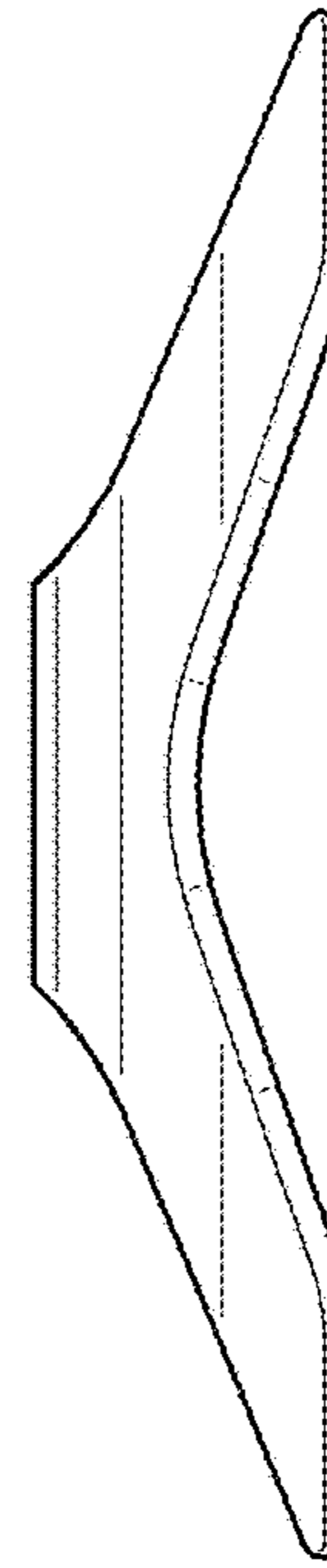


FIG. 5

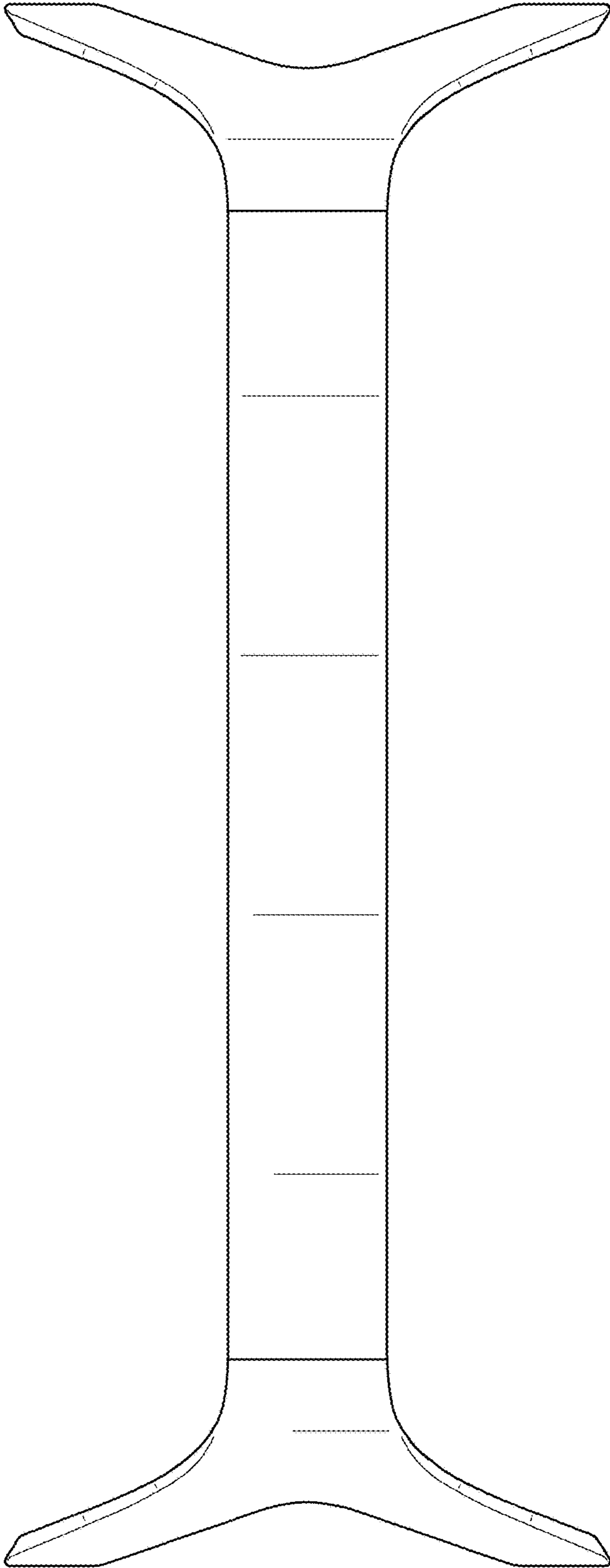


FIG. 6

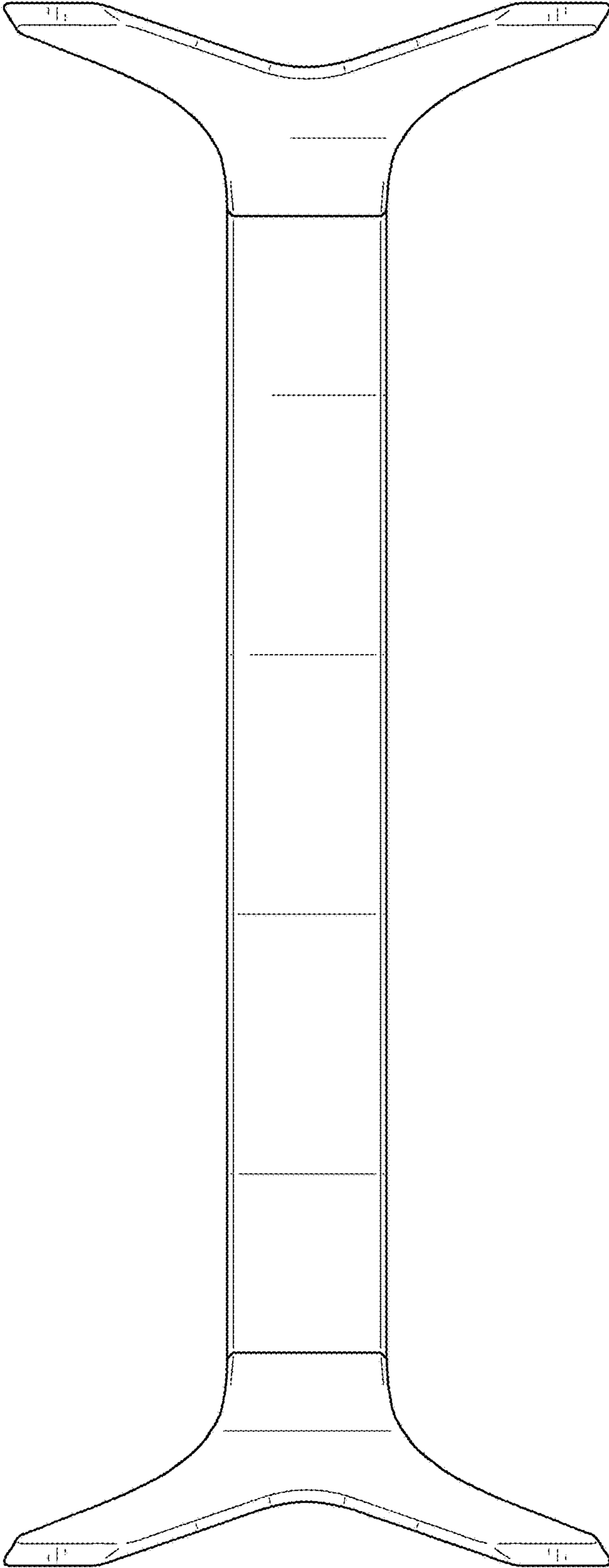


FIG. 7

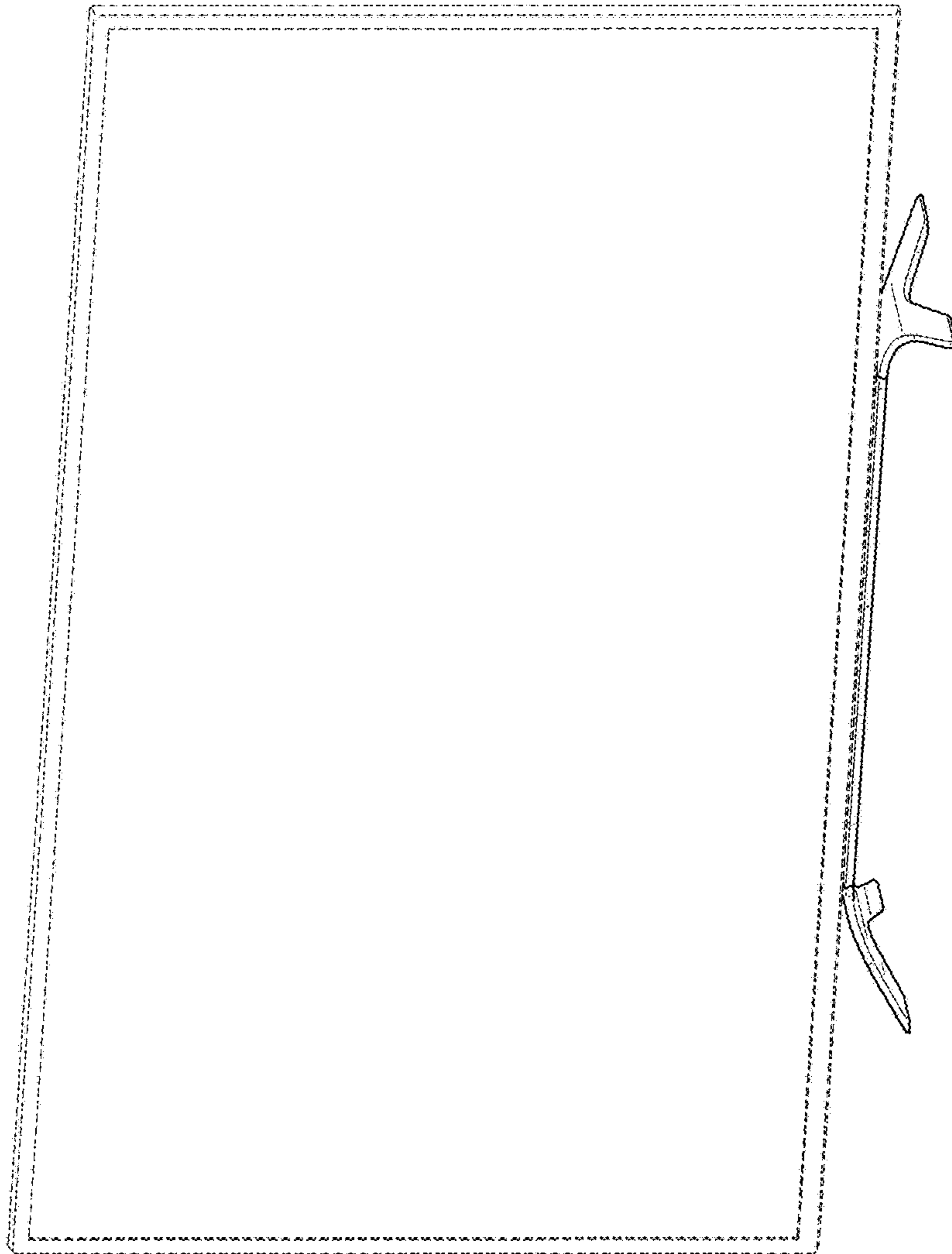


FIG. 8