



US00D782491S

(12) **United States Design Patent**  
**Cutler et al.**

(10) **Patent No.:** **US D782,491 S**

(45) **Date of Patent:** **\*\* Mar. 28, 2017**

(54) **DOCKING MOUNT**

(71) Applicant: **Microsoft Corporation**, Redmond, WA (US)

(72) Inventors: **Dallas J. Cutler**, Portland, OR (US); **John Anthony Underwood**, Portland, OR (US); **Peter Richard Oehler**, Beaverton, OR (US); **Phil Frank**, Portland, OR (US)

(73) Assignee: **Microsoft Corporation**, Redmond, WA (US)

(\*\*) Term: **15 Years**

(21) Appl. No.: **29/555,567**

(22) Filed: **Feb. 23, 2016**

(51) **LOC (10) Cl.** ..... **08-07**

(52) **U.S. Cl.**  
USPC ..... **D14/447**

(58) **Field of Classification Search**  
USPC ..... D14/447, 432, 434, 439, 440, 451, 452, D14/457, 239; D8/363, 373, 380; D6/406.3, 406.4, 406.5, 406.6; D12/415  
CPC ..... A47B 21/04; A47B 2097/006; A47B 2097/005; A47B 2023/049; A45C 2011/002; A45C 2011/003; F16M 2200/00; F16M 13/00

See application file for complete search history.

(56) **References Cited**

**U.S. PATENT DOCUMENTS**

D417,205 S \* 11/1999 Clark ..... D14/447  
D508,916 S \* 8/2005 Lee ..... D14/434

D539,273 S \* 3/2007 Fujii ..... D14/239  
D575,774 S \* 8/2008 Harris ..... D14/125  
D588,141 S \* 3/2009 Heggland ..... D14/434  
D598,458 S \* 8/2009 Li ..... D14/451  
D603,386 S \* 11/2009 Le ..... D14/239  
D603,412 S \* 11/2009 Wills ..... D14/451  
D673,567 S \* 1/2013 Yang ..... D14/434  
D685,806 S \* 7/2013 Kim ..... D14/451  
D707,230 S \* 6/2014 Castronovo ..... D14/447  
D731,995 S \* 6/2015 Kamp ..... D14/125  
D742,863 S \* 11/2015 Aoyagi ..... D14/239

\* cited by examiner

*Primary Examiner* — Angela J Lee

(74) *Attorney, Agent, or Firm* — Banner & Witcoff, Ltd.

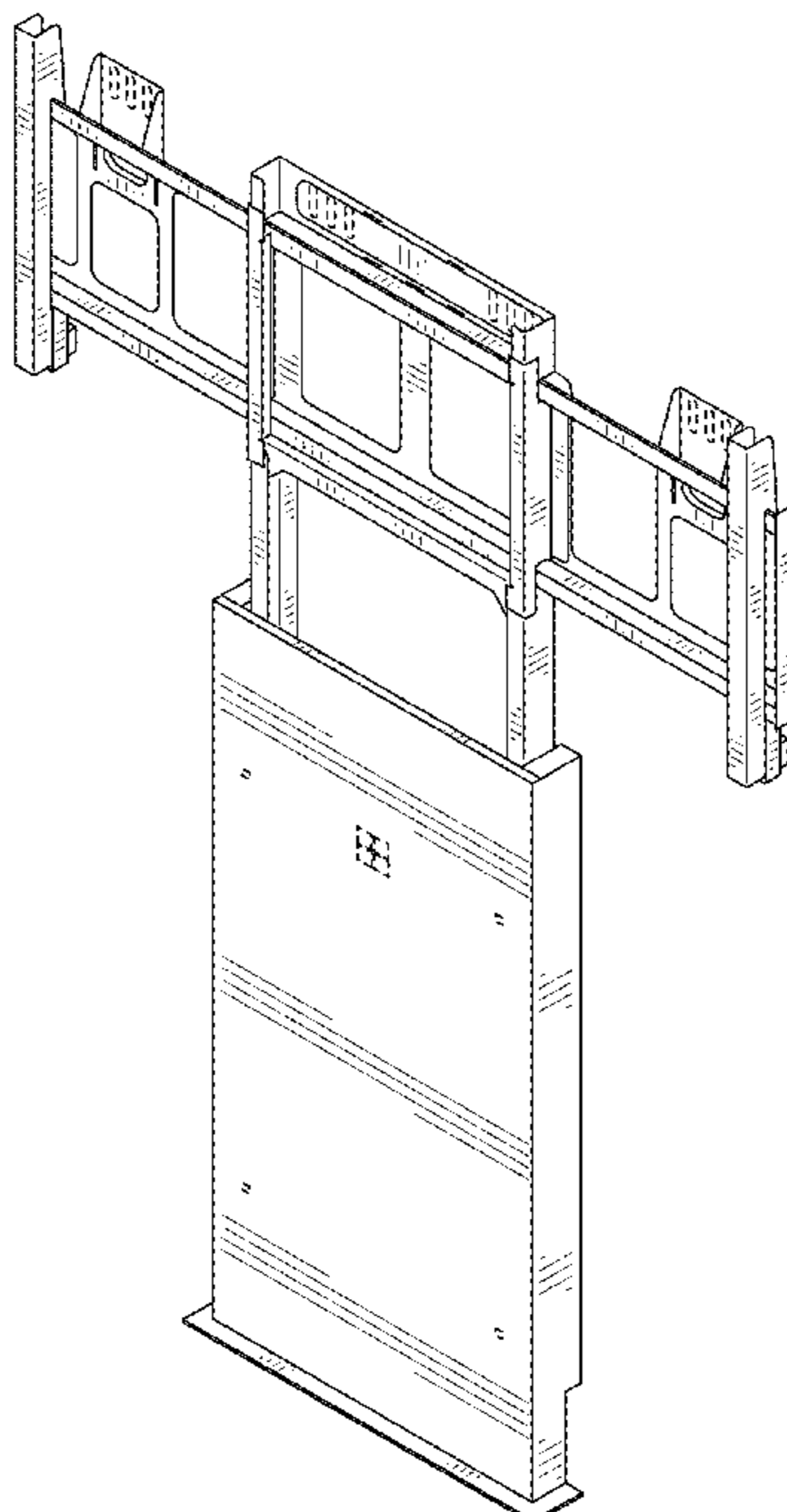
(57) **CLAIM**

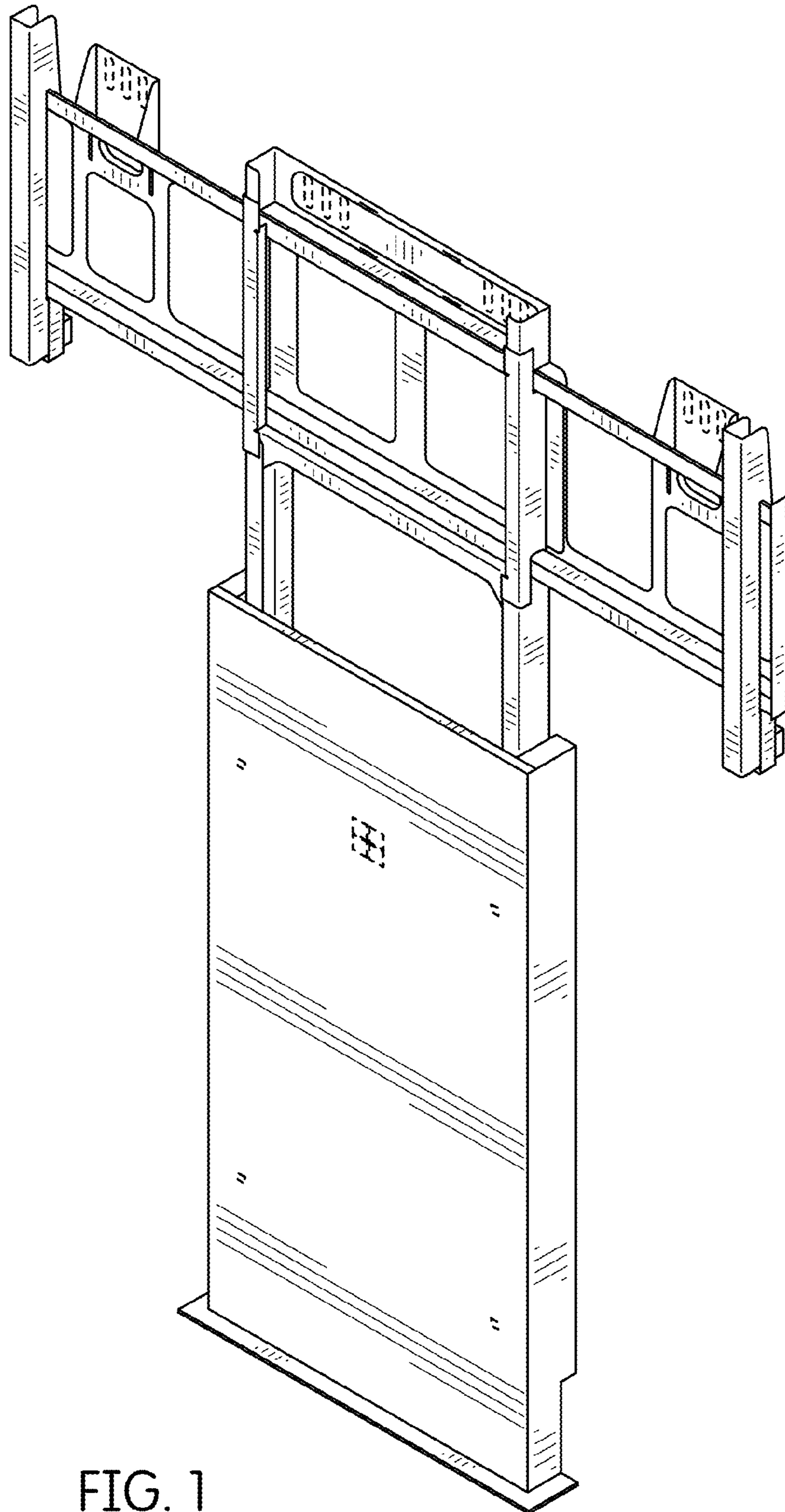
The ornamental design for a docking mount, as shown and described.

**DESCRIPTION**

FIG. 1 is a front perspective view of a docking mount showing our new design;  
FIG. 2 is a front view thereof;  
FIG. 3 is a rear view thereof;  
FIG. 4 is a right side view thereof;  
FIG. 5 is a left side view thereof;  
FIG. 6 is a top view thereof; and,  
FIG. 7 is a bottom view thereof.  
The broken line showing of the various unshaded elements of the docking mount in FIGS. 1-7 is for environmental purposes only and forms no part of the claimed design.

**1 Claim, 5 Drawing Sheets**





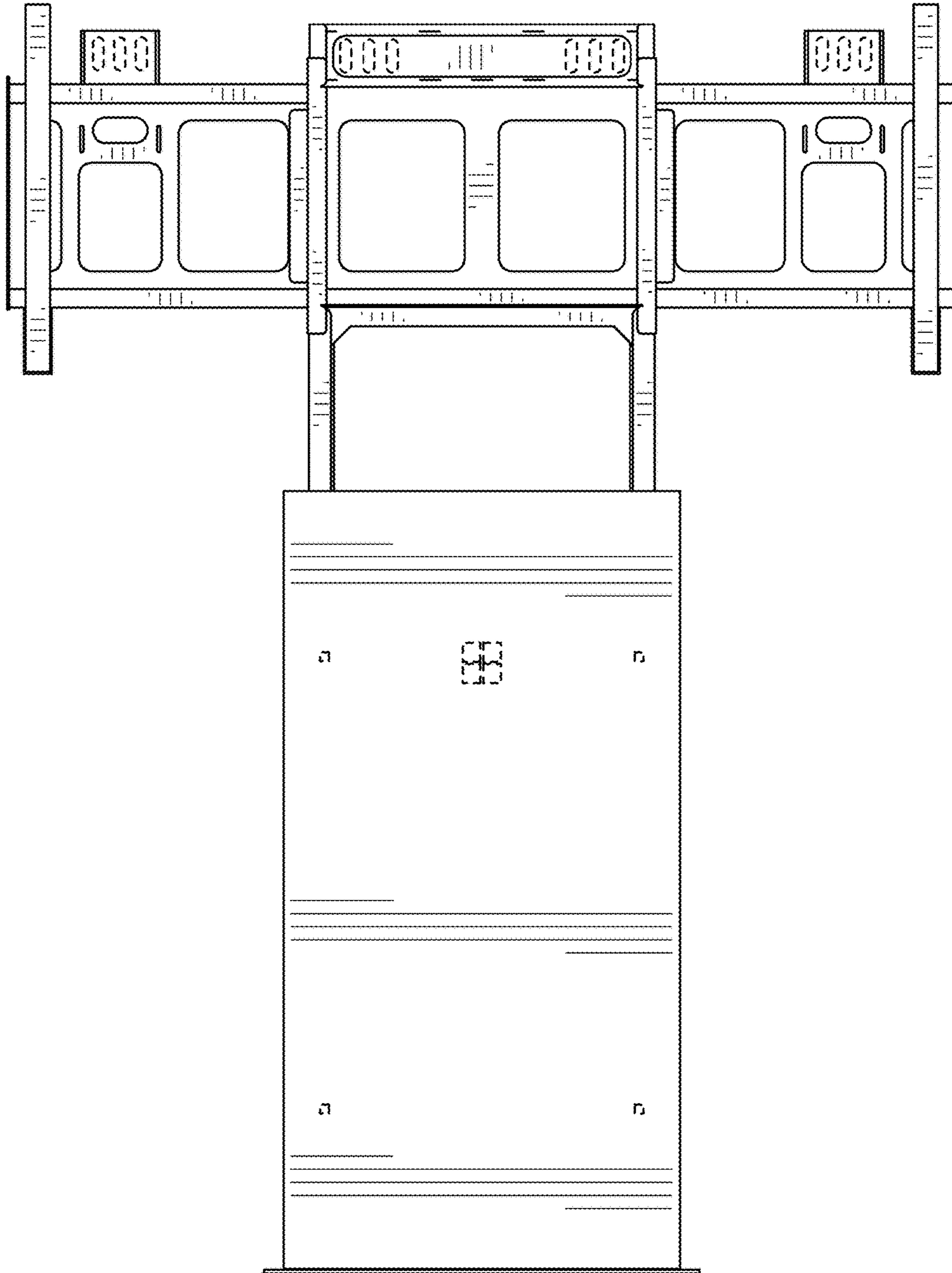


FIG. 2

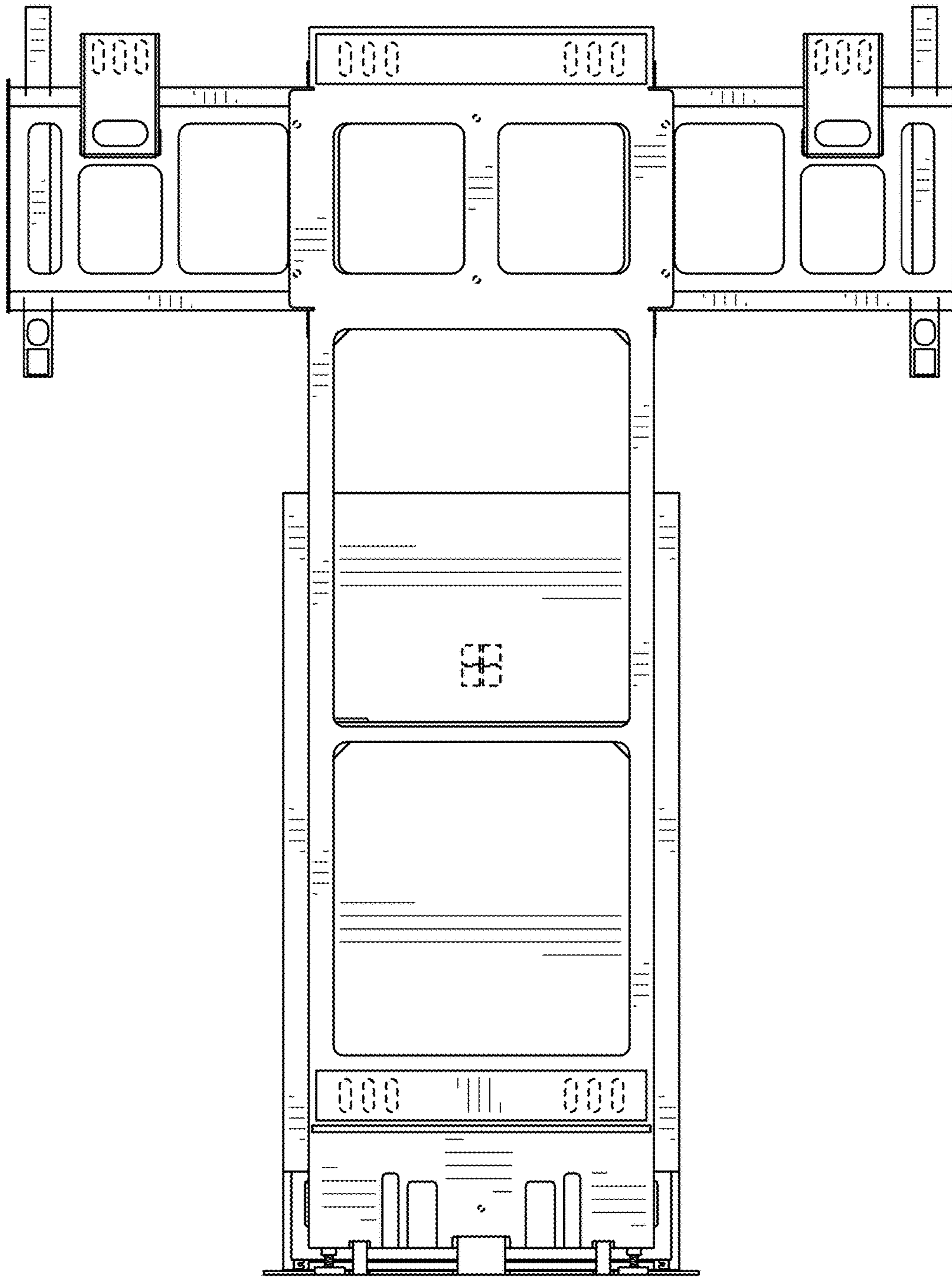


FIG. 3



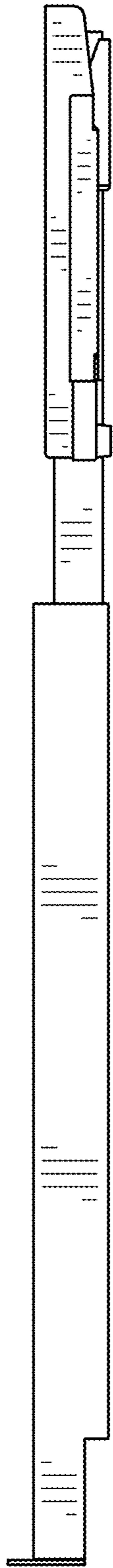


FIG. 4

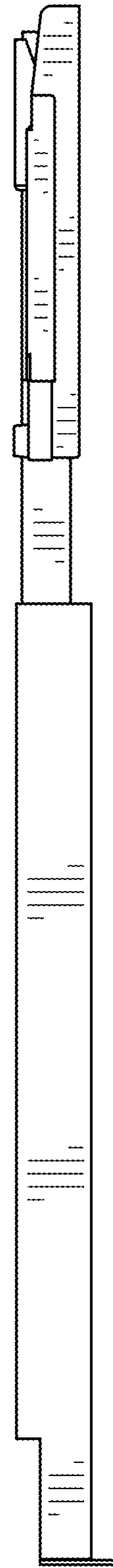


FIG. 5

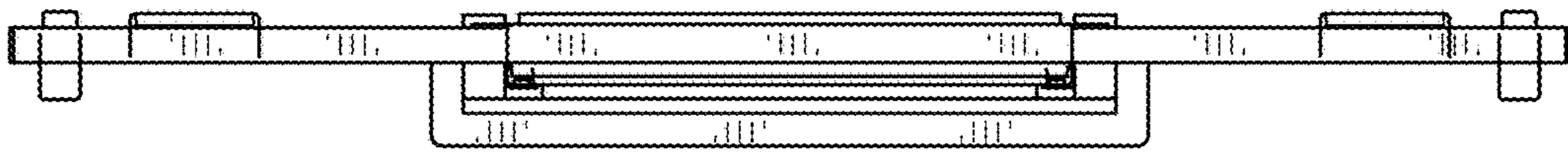


FIG. 6

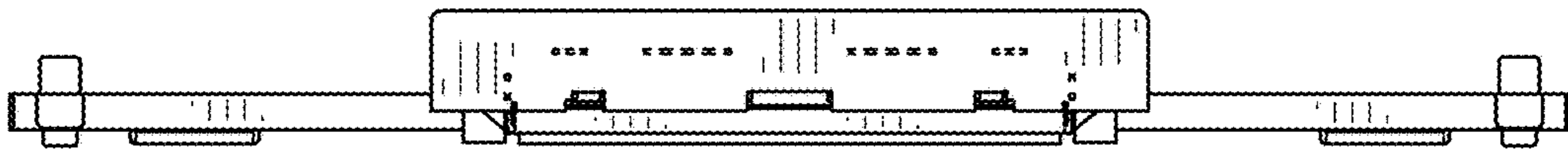


FIG. 7