



US00D782488S

(12) **United States Design Patent**
Kim

(10) **Patent No.:** **US D782,488 S**

(45) **Date of Patent:** **** Mar. 28, 2017**

(54) **STAND FOR ELECTRONIC DEVICES**

(71) Applicant: **Dae-Young Kim**, Seoul (KR)

(72) Inventor: **Dae-Young Kim**, Seoul (KR)

(73) Assignee: **SPIGEN KOREA CO., LTD.**,
Geumcheon-Gu, Seoul (KR)

(**) Term: **15 Years**

(21) Appl. No.: **29/536,847**

(22) Filed: **Aug. 19, 2015**

(51) **LOC (10) Cl.** **08-07**

(52) **U.S. Cl.**
USPC **D14/447**

(58) **Field of Classification Search**
USPC D14/447, 432, 434, 439, 440, 451, 452,
D14/457, 239; D8/363, 373, 380;
D6/406.3, 406.4, 406.5, 406.6; D12/415
(Continued)

(56) **References Cited**

U.S. PATENT DOCUMENTS

D692,898 S * 11/2013 Luijben D14/447
D719,959 S * 12/2014 Vogel D14/447
(Continued)

FOREIGN PATENT DOCUMENTS

KR 30-0674054 12/2012
KR 10-1316363 10/2013
(Continued)

OTHER PUBLICATIONS

“iRing Universal Masstige Ring Grip/Stand Holder for any Smart
Device—Black,” <http://www.amazon.com/iRing-Universal->

Masstige-Holder-Device/dp/B00DUN9B9U/ref=cm_cr_arp_d_ product_top?ie=UTF8, Downloaded Apr. 18, 2016, 7pages.

Primary Examiner — Angela J Lee

(74) *Attorney, Agent, or Firm* — East West Law Group;
Heedong Chae

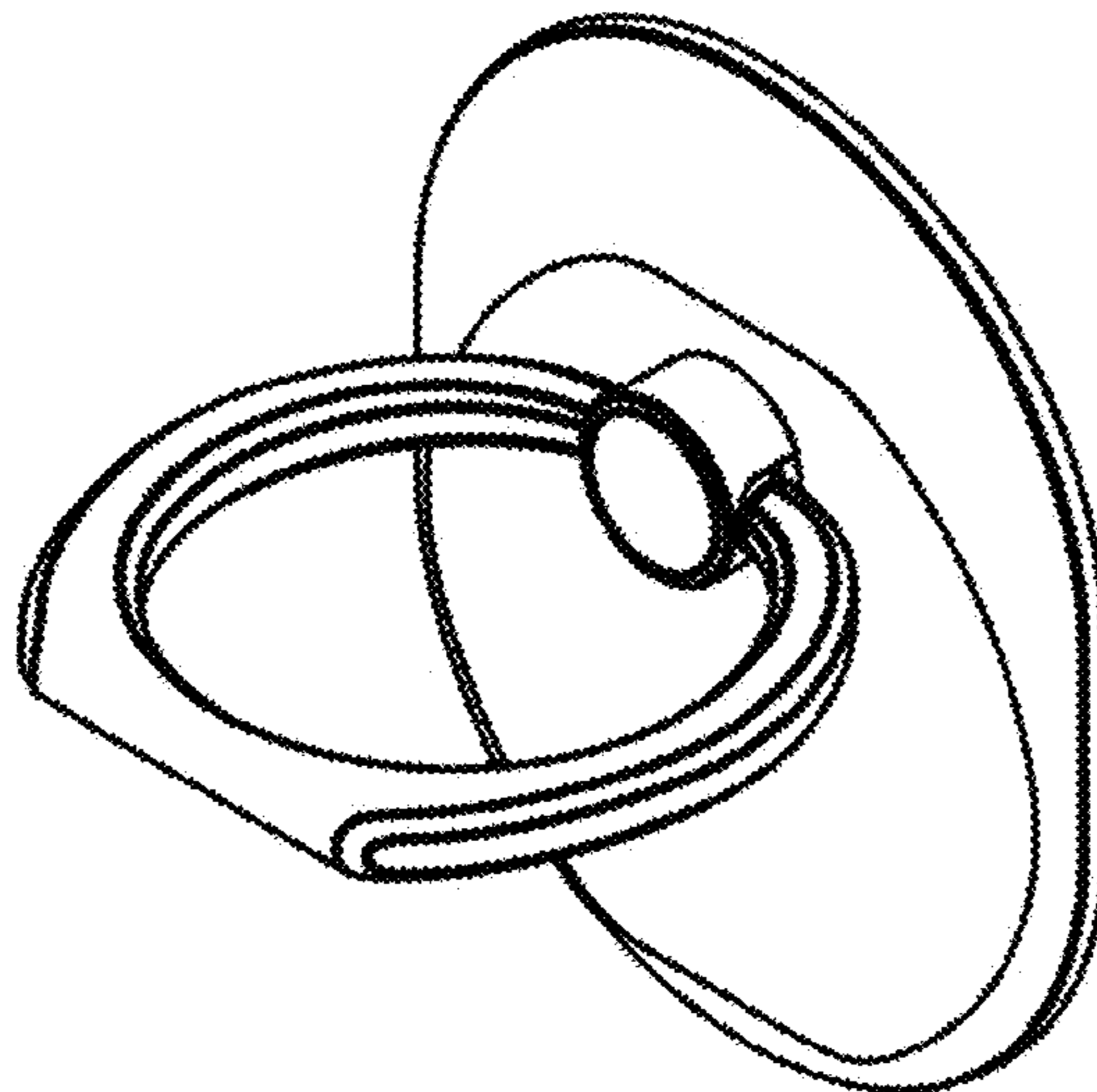
(57) **CLAIM**

The ornamental design for a stand for an electronic device, as shown and described.

DESCRIPTION

FIG. 1 is a front perspective view of a stand for an electronic device showing my new design, the stand is comprised of a kickstand and a base and the base is attachable to a back side of an electronic device or a protective case;
FIG. 2 is a rear perspective view thereof;
FIG. 3 is a front elevational view thereof;
FIG. 4 is a rear elevational view thereof;
FIG. 5 is a left side elevational view thereof;
FIG. 6 is a right side elevational view thereof;
FIG. 7 is a top plan view thereof;
FIG. 8 is a bottom plan view thereof;
FIG. 9 is a front perspective view of the stand with the kickstand rotated;
FIG. 10 is a front perspective view of the stand with the kickstand in a closed position;
FIG. 11 is another front perspective view of the stand with the kickstand in a closed position;
FIG. 12 is a front perspective view of the stand illustrating the electronic device in broken lines; and,
FIG. 13 is a front perspective view of the stand with the kickstand in a closed position illustrating the electronic device in broken lines.
The broken line showing of environment is for illustrative purposes only and forms no part of the claimed design.

1 Claim, 13 Drawing Sheets



US D782,488 S

Page 2

(58) **Field of Classification Search**

CPC A47B 21/04; A47B 2097/006; A47B
2097/005; A47B 2023/049; A45C
2011/002; A45C 2011/003; F16M
2200/00; F16M 13/00

See application file for complete search history.

(56)

References Cited

U.S. PATENT DOCUMENTS

D723,573 S * 3/2015 Padro D14/447
D725,660 S * 3/2015 Trotsky D14/447
D735,210 S * 7/2015 Kim D14/447
D737,264 S * 8/2015 Shamsadov D14/251
D739,857 S * 9/2015 Lay D10/80
9,179,565 B2 * 11/2015 Cho H05K 7/00
D748,639 S * 2/2016 Khodapanah D14/447
D749,083 S * 2/2016 Senoff D14/451
D749,559 S * 2/2016 Senoff D14/251
D752,054 S * 3/2016 Baumann D14/447
D756,366 S * 5/2016 Floersch D14/447

9,397,717 B2 * 7/2016 Curran H04B 1/385
D765,549 S * 9/2016 Khodapanah D12/114
2012/0048873 A1 * 3/2012 Hyseni A45F 5/00
220/752
2013/0146625 A1 * 6/2013 Karle A45F 5/00
224/217
2014/0166707 A1 * 6/2014 Leisey-Bartsch H04B 1/3888
224/197
2015/0009610 A1 * 1/2015 London G06F 1/163
361/679.03

FOREIGN PATENT DOCUMENTS

KR 30-0718509 11/2013
KR 30-0718509 3/2014
KR 30-0775347 12/2014
KR 10-20140123649 1/2015
KR 20-0476134 1/2015
KR 20-0476134 2/2015
KR 30-0657929 8/2015

* cited by examiner

FIG. 1

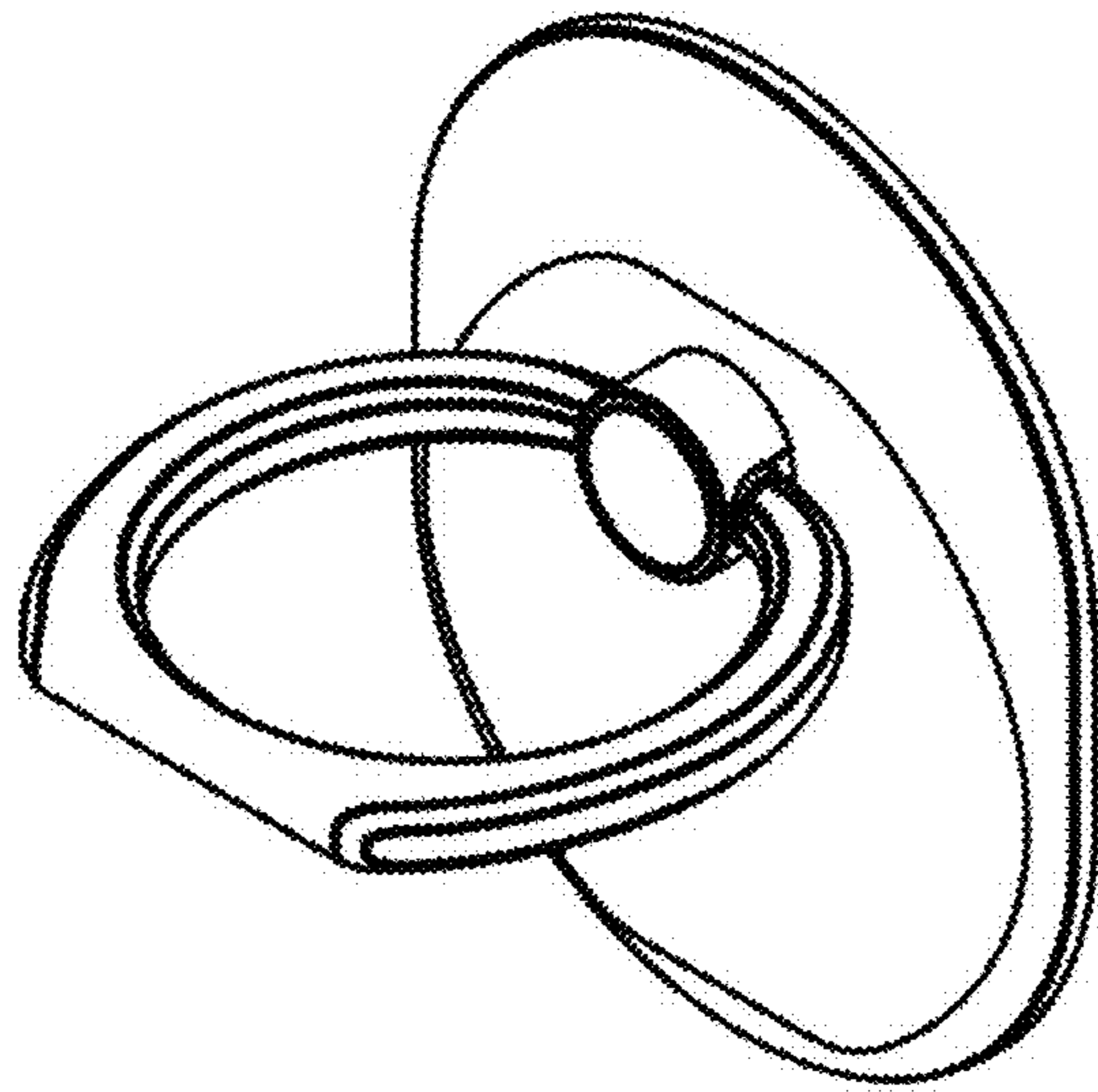


FIG. 2

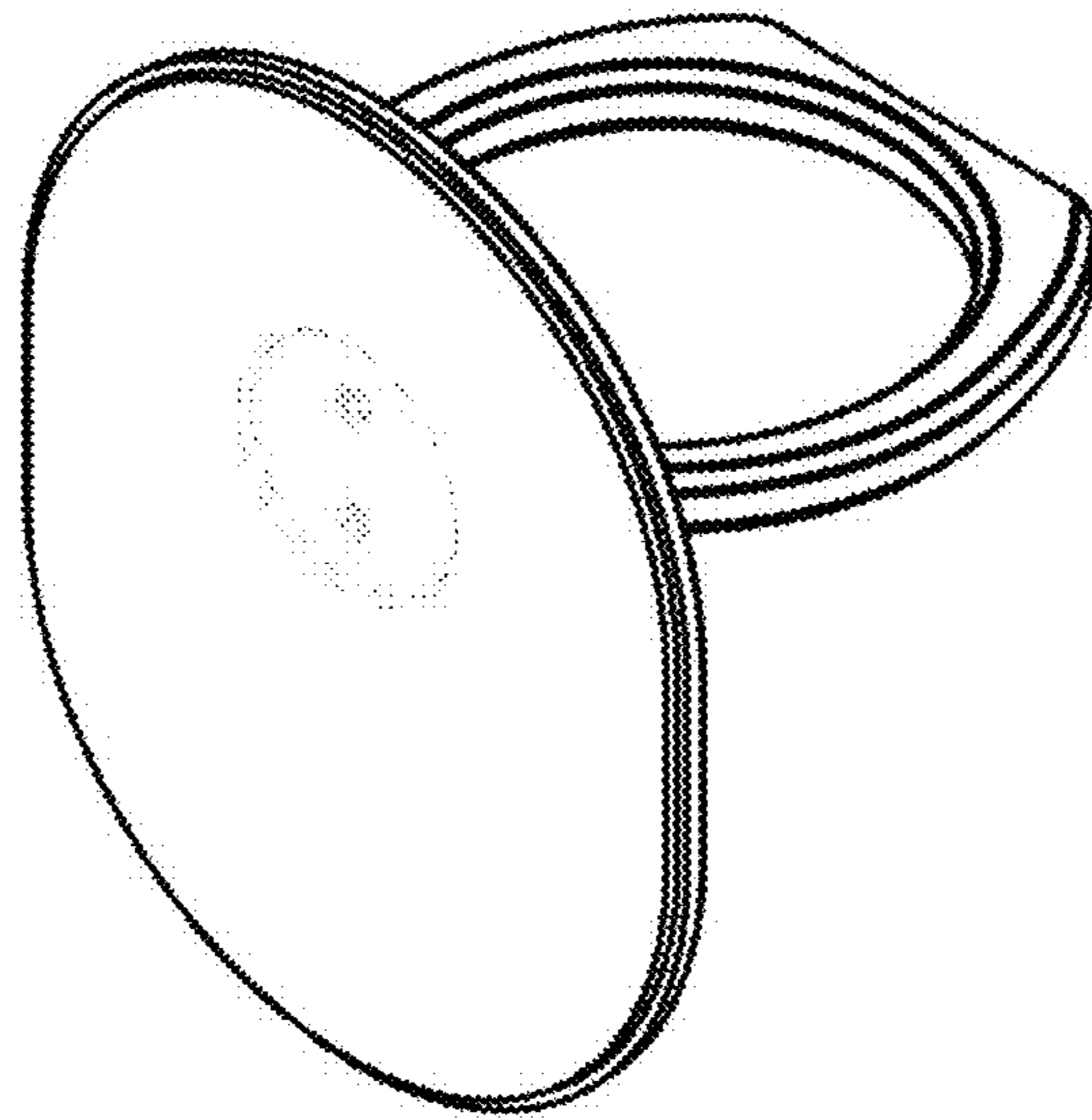


FIG. 3

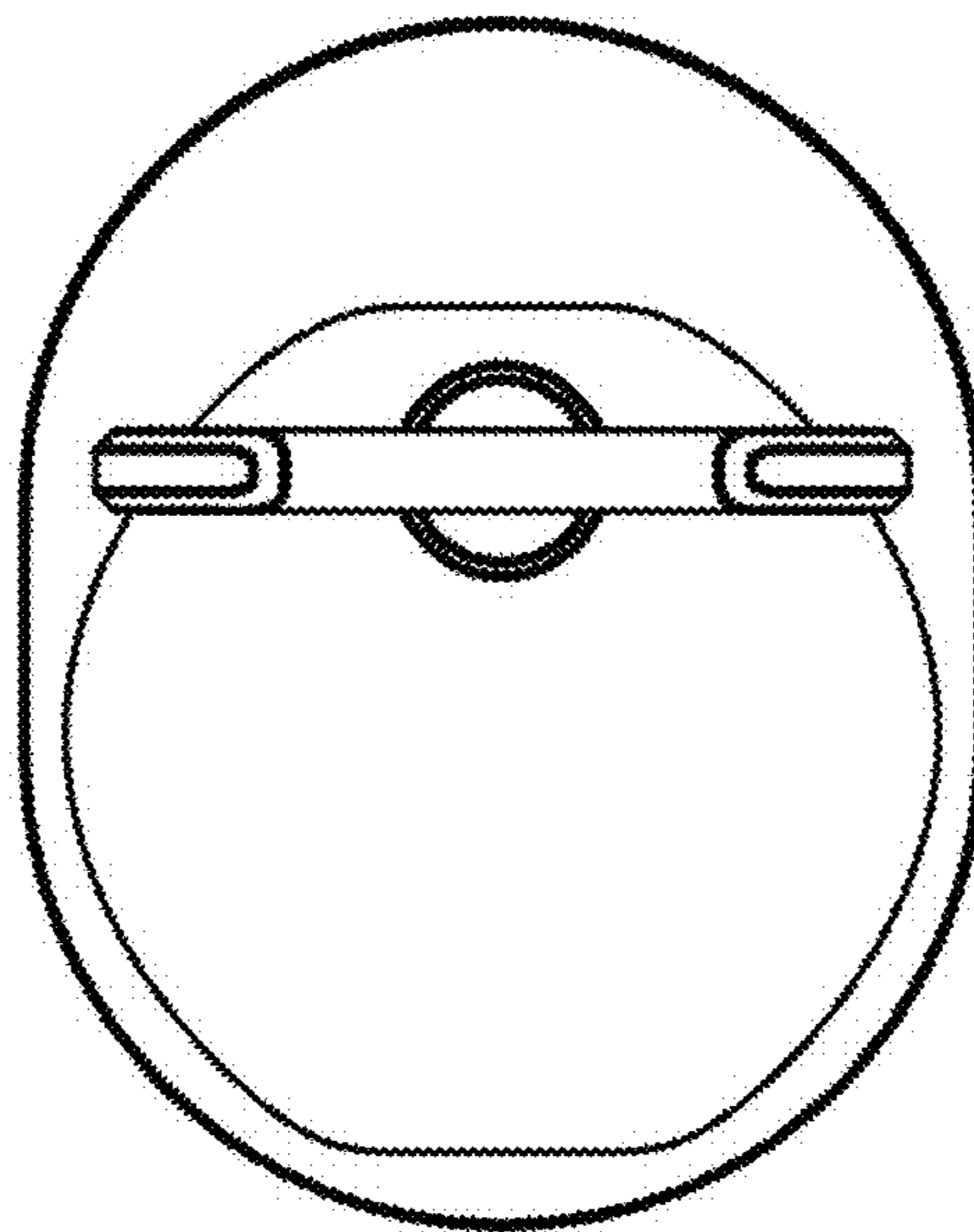


FIG. 4

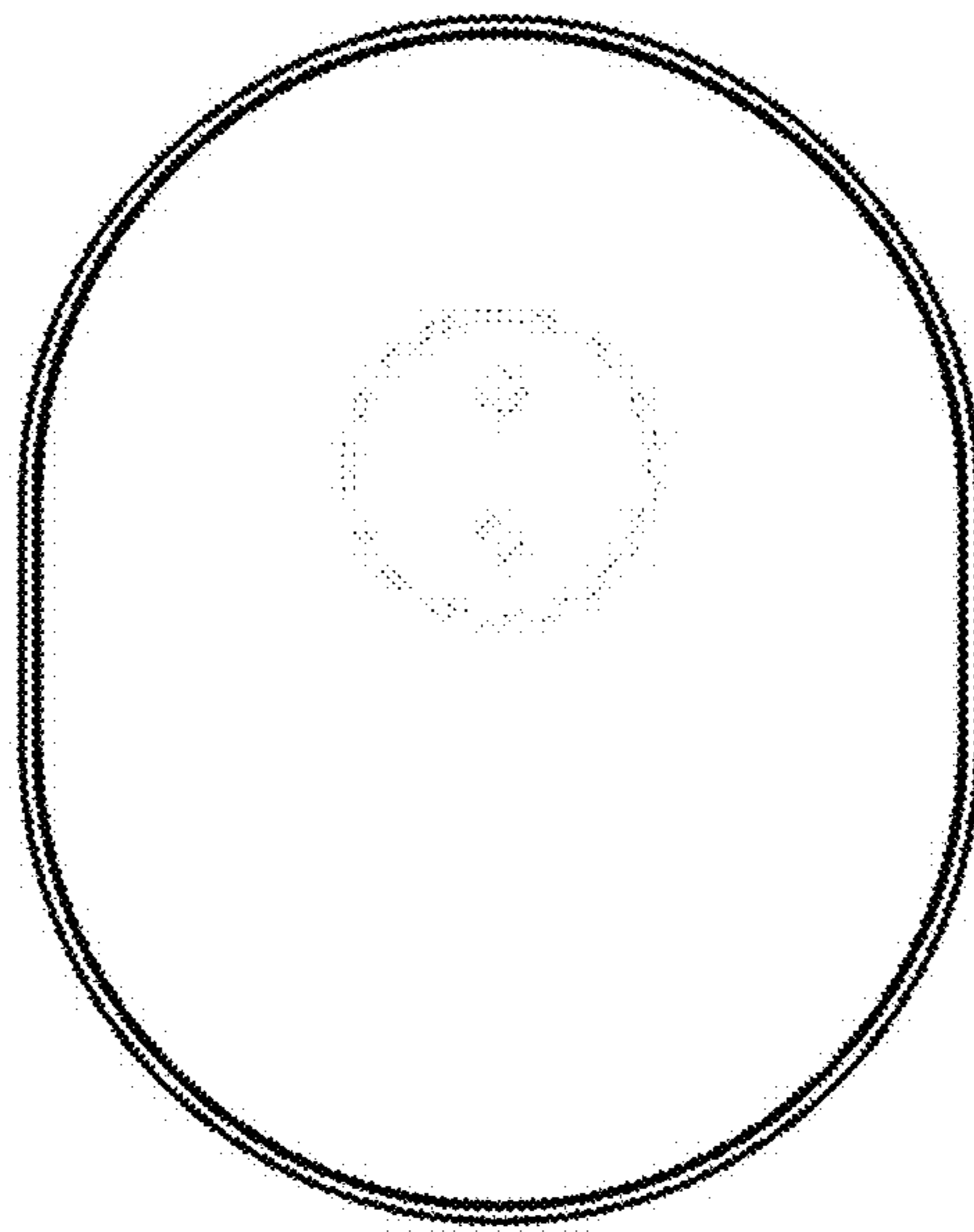


FIG. 5

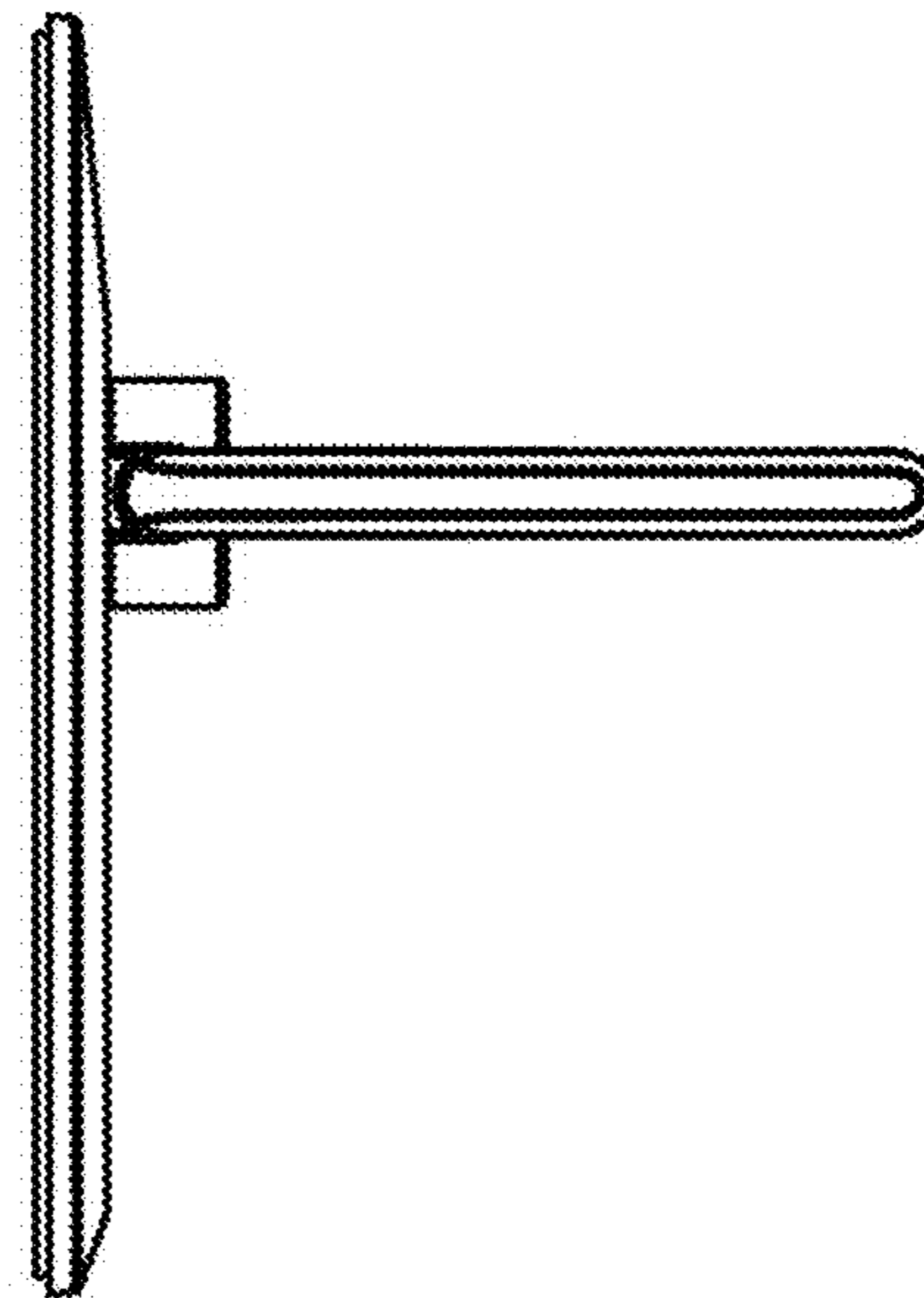


FIG. 6

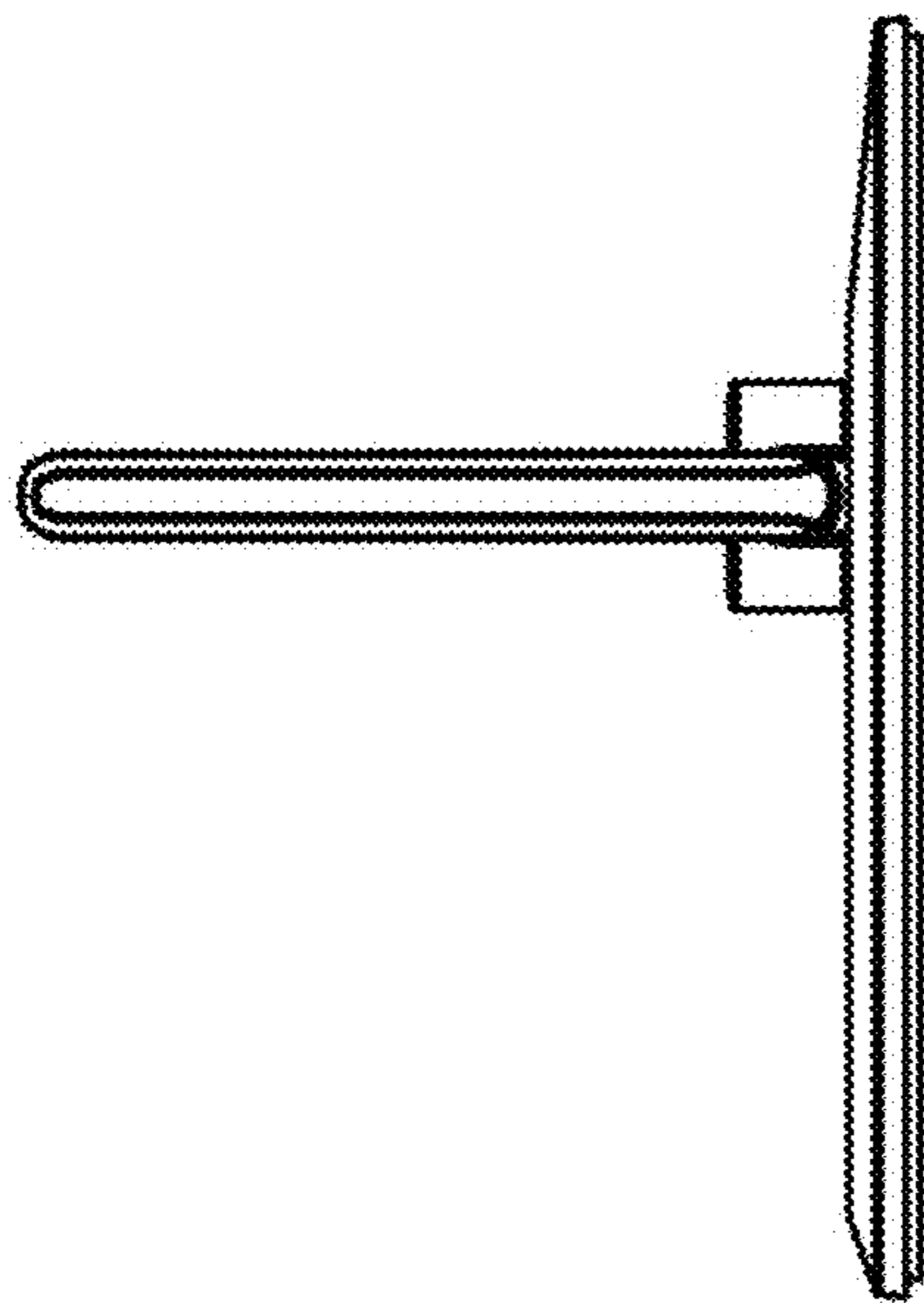


FIG. 7

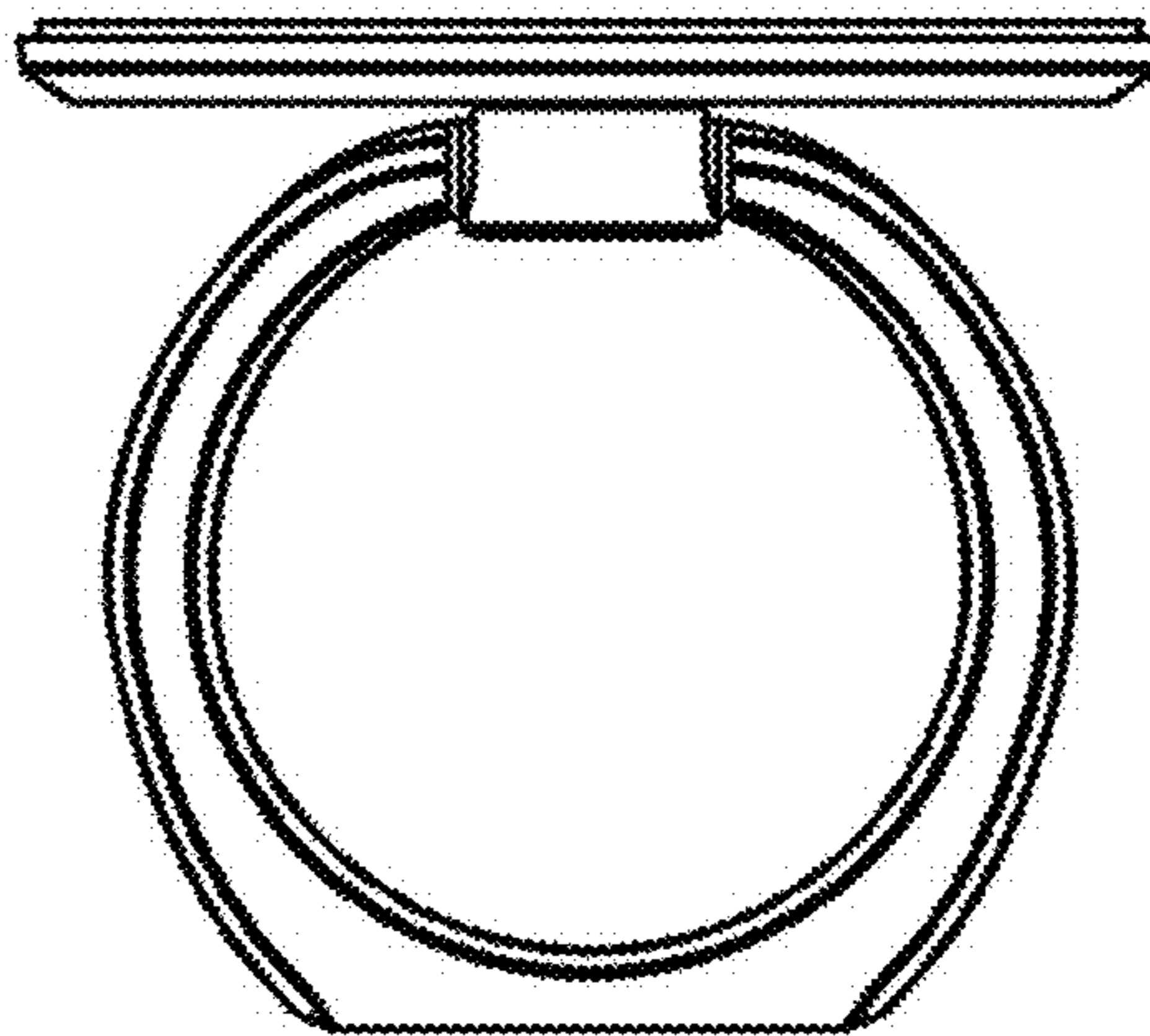


FIG. 8

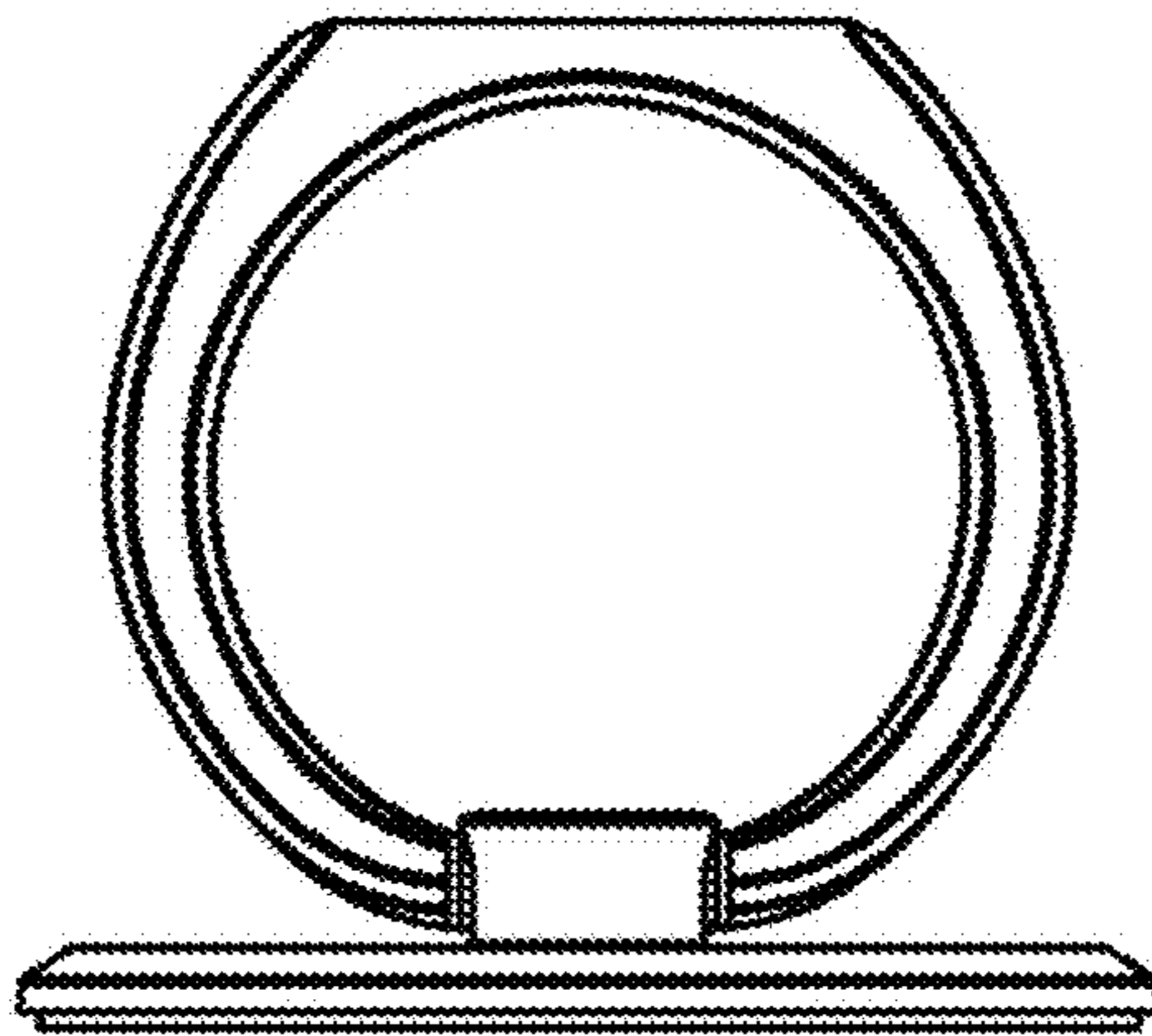


FIG. 9

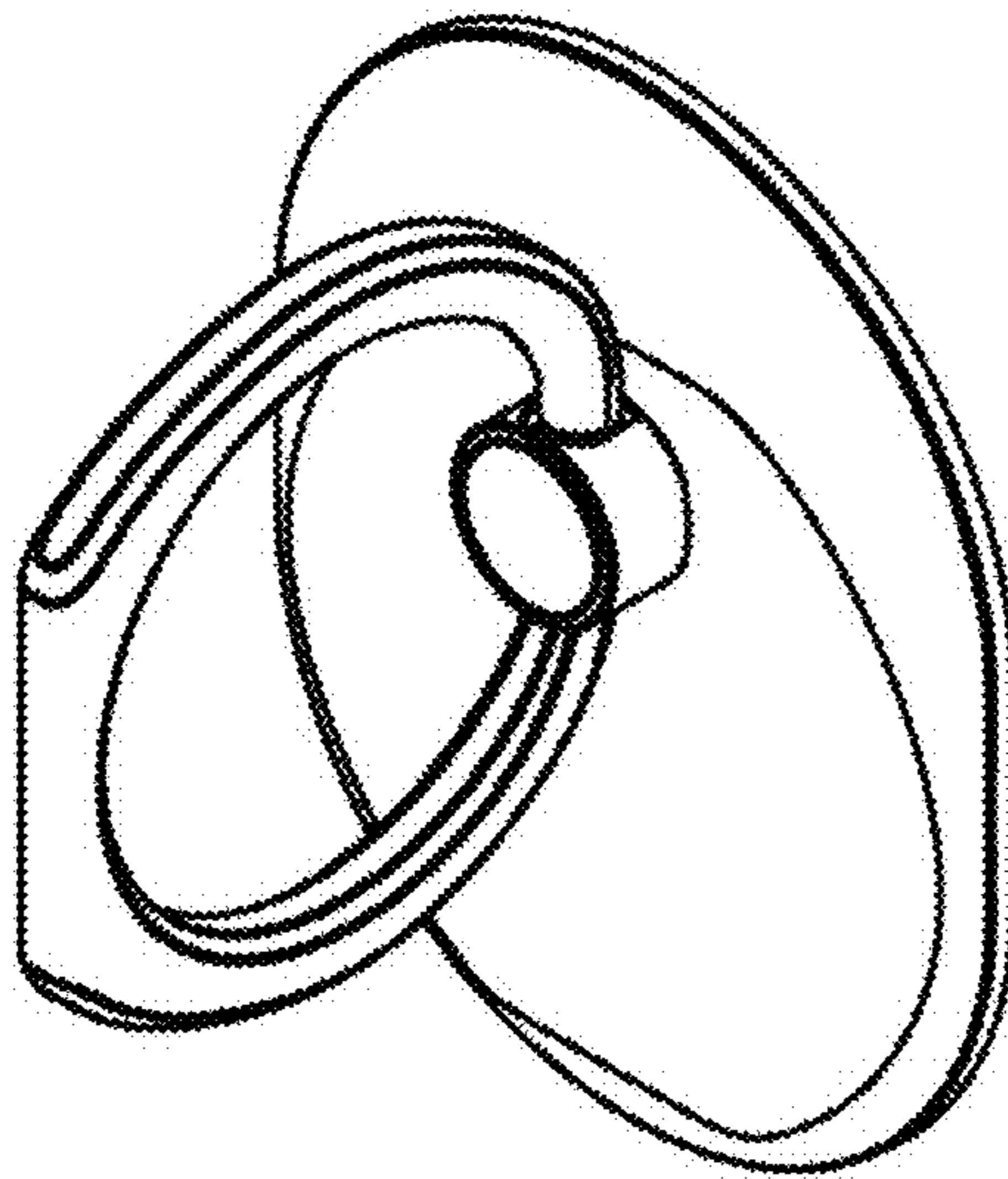


FIG. 10

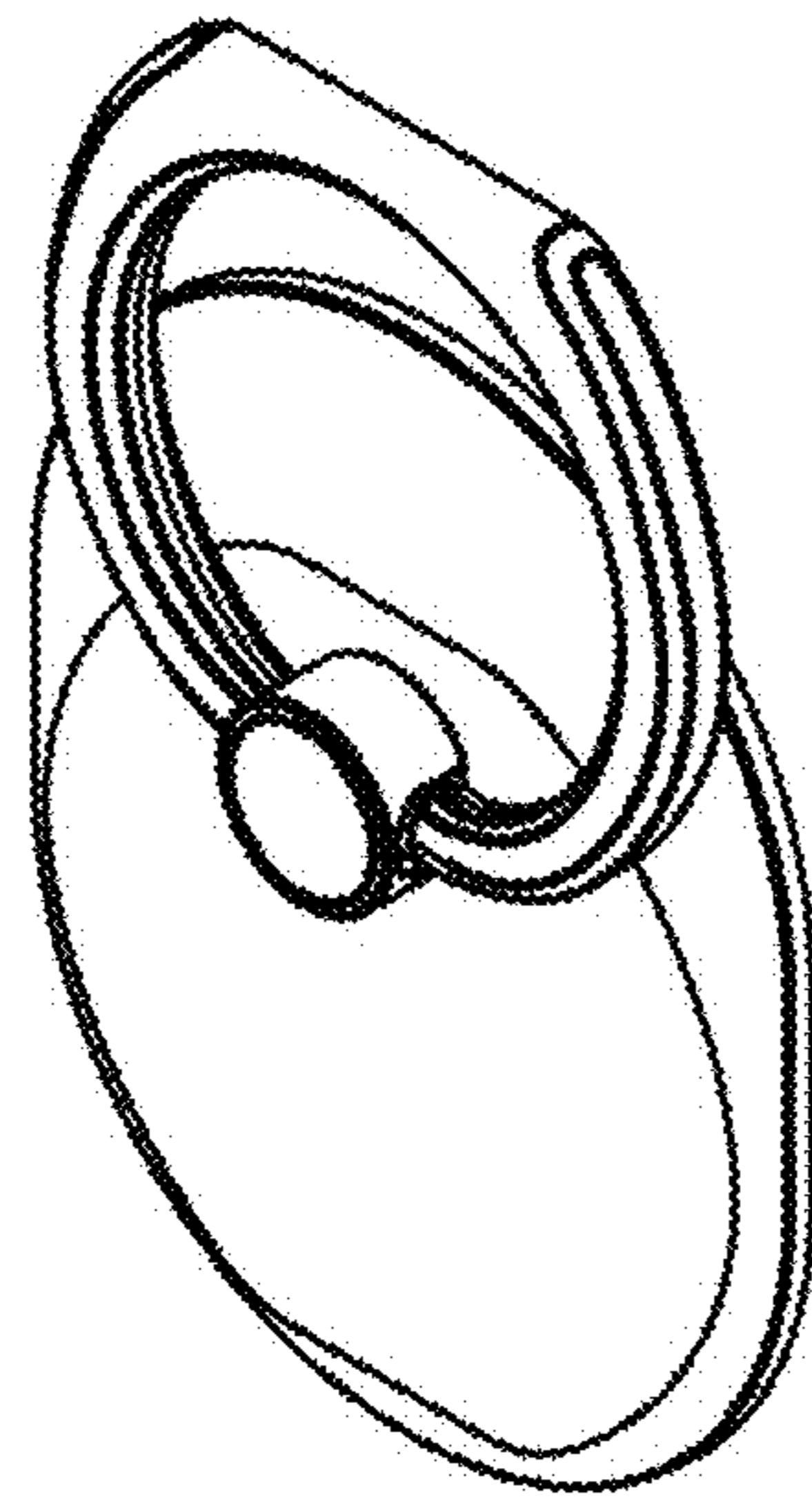


FIG. 11

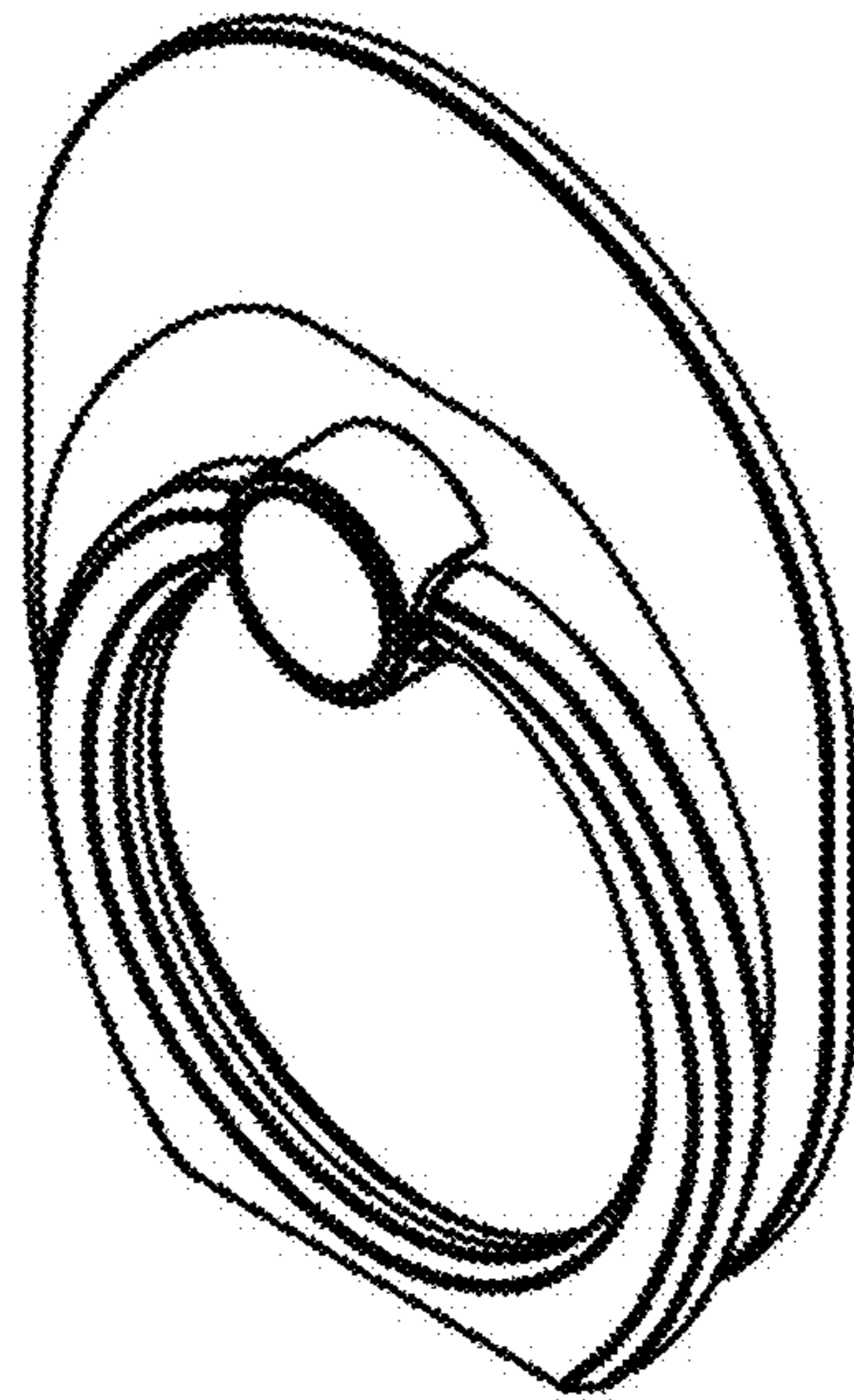


FIG. 12

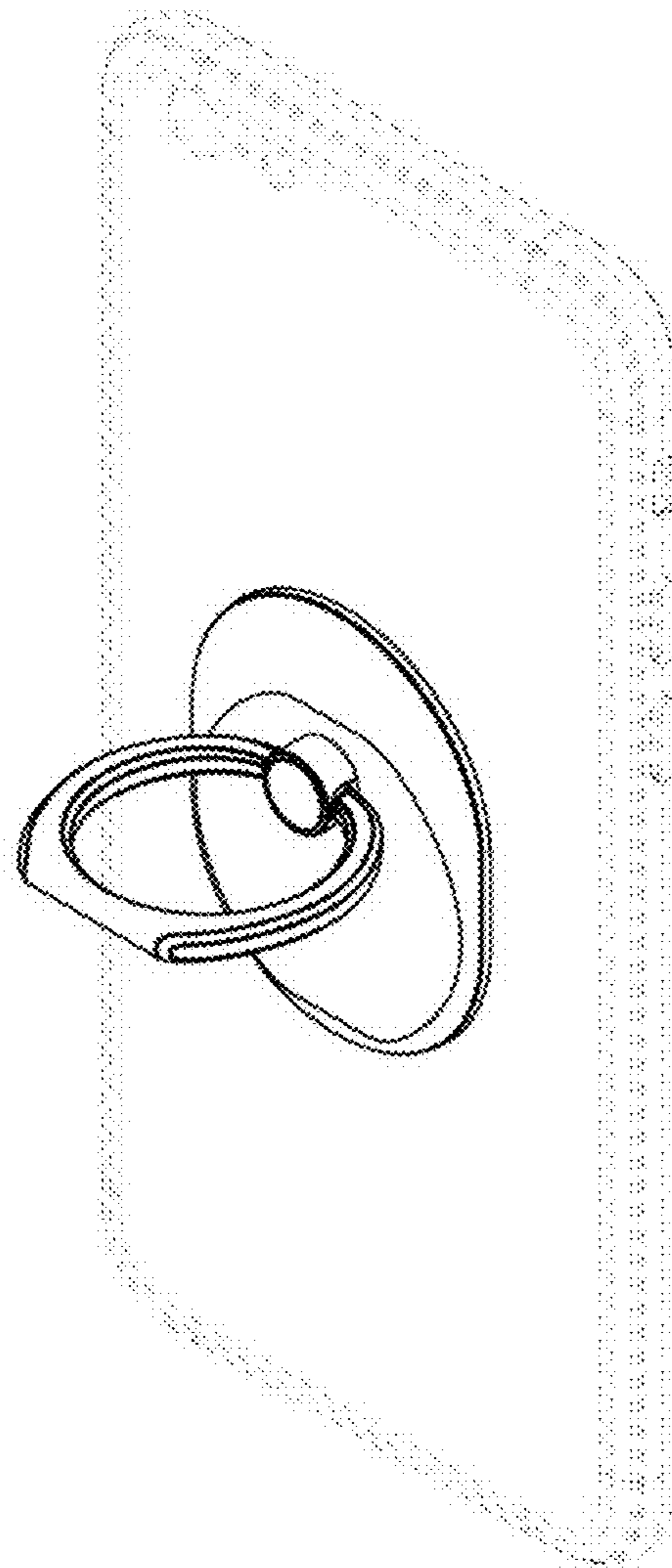


FIG. 13

