



US00D782486S

(12) **United States Design Patent**
Nalbandian et al.

(10) **Patent No.:** **US D782,486 S**

(45) **Date of Patent:** **** Mar. 28, 2017**

- (54) **DOCKING STATION**
- (71) Applicant: **Hewlett-Packard Development Company, L.P.**, Houston, TX (US)
- (72) Inventors: **Saro Nalbandian**, Houston, TX (US); **John W. Pennington, Jr.**, Houston, TX (US); **Joshua G. Little**, Houston, TX (US)
- (73) Assignee: **Hewlett-Packard Development Company, L.P.**, Houston, TX (US)

D570,345 S *	6/2008	Lee	D14/336
D575,786 S *	8/2008	Solomon	D14/434
D583,365 S *	12/2008	Suk	D14/240
7,502,225 B2 *	3/2009	Solomon	G06F 1/1632 361/679.41
D642,121 S *	7/2011	Lee	D13/108
8,185,681 B2 *	5/2012	Downing	G06F 1/1632 361/679.41
D672,350 S *	12/2012	Gioscia	D14/434
D674,391 S *	1/2013	Chatterjee	D14/434
D687,038 S *	7/2013	Chatterjee	D14/434
D707,144 S *	6/2014	Jacobs	D10/106.6
D726,729 S *	4/2015	Lim	D14/434
D730,905 S *	6/2015	Li	D14/434
D750,083 S *	2/2016	Chow	D14/434

(**) Term: **15 Years**

* cited by examiner

(21) Appl. No.: **29/527,845**

Primary Examiner — Susan Bennett Hattan

(22) Filed: **May 22, 2015**

Assistant Examiner — Marie Fast Horse

(51) **LOC (10) Cl.** **14-02**

(74) *Attorney, Agent, or Firm* — Foley & Lardner

(52) **U.S. Cl.**
USPC **D14/434**

(58) **Field of Classification Search**
USPC D14/434, 440, 447, 251–253, 432, 451,
D14/452, 140, 142, 149, 217, 240, 299,
D14/496; D13/107, 108
CPC G06F 1/1626; G06F 1/1632; H01M 10/44;
F16M 11/10; H02J 7/0042; H02J 7/00;
H01R 31/065
See application file for complete search history.

(57) **CLAIM**

We claim the ornamental design for a docking station, as shown and described.

DESCRIPTION

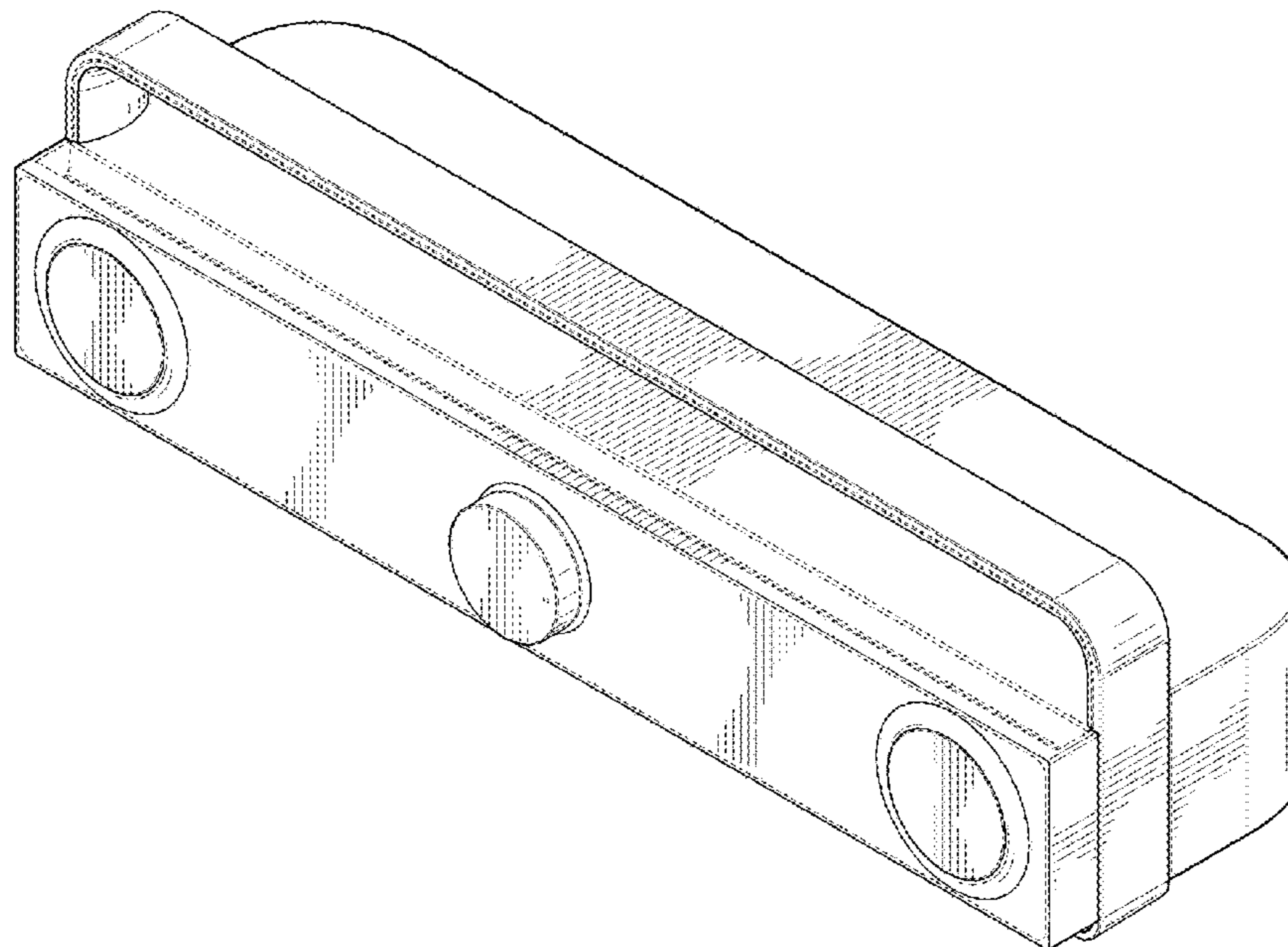
FIG. 1 is a top, front, right perspective view of the claimed design according to a first embodiment; FIG. 2 is a front elevation view thereof; FIG. 3 is a rear elevation view thereof; FIG. 4 is a top plan view thereof; FIG. 5 is a bottom plan view thereof; FIG. 6 is a left side elevation view thereof; and, FIG. 7 is a right side elevation view thereof. The broken lines depict portions of the docking station that form no part of the claimed design.

(56) **References Cited**

U.S. PATENT DOCUMENTS

D244,144 S *	4/1977	Macari	D14/217
D338,780 S *	8/1993	Rance	D12/416
D396,705 S *	8/1998	Iino	D14/434
D416,547 S *	11/1999	Lee	D14/434
D516,562 S *	3/2006	Solomon	D14/434

1 Claim, 6 Drawing Sheets



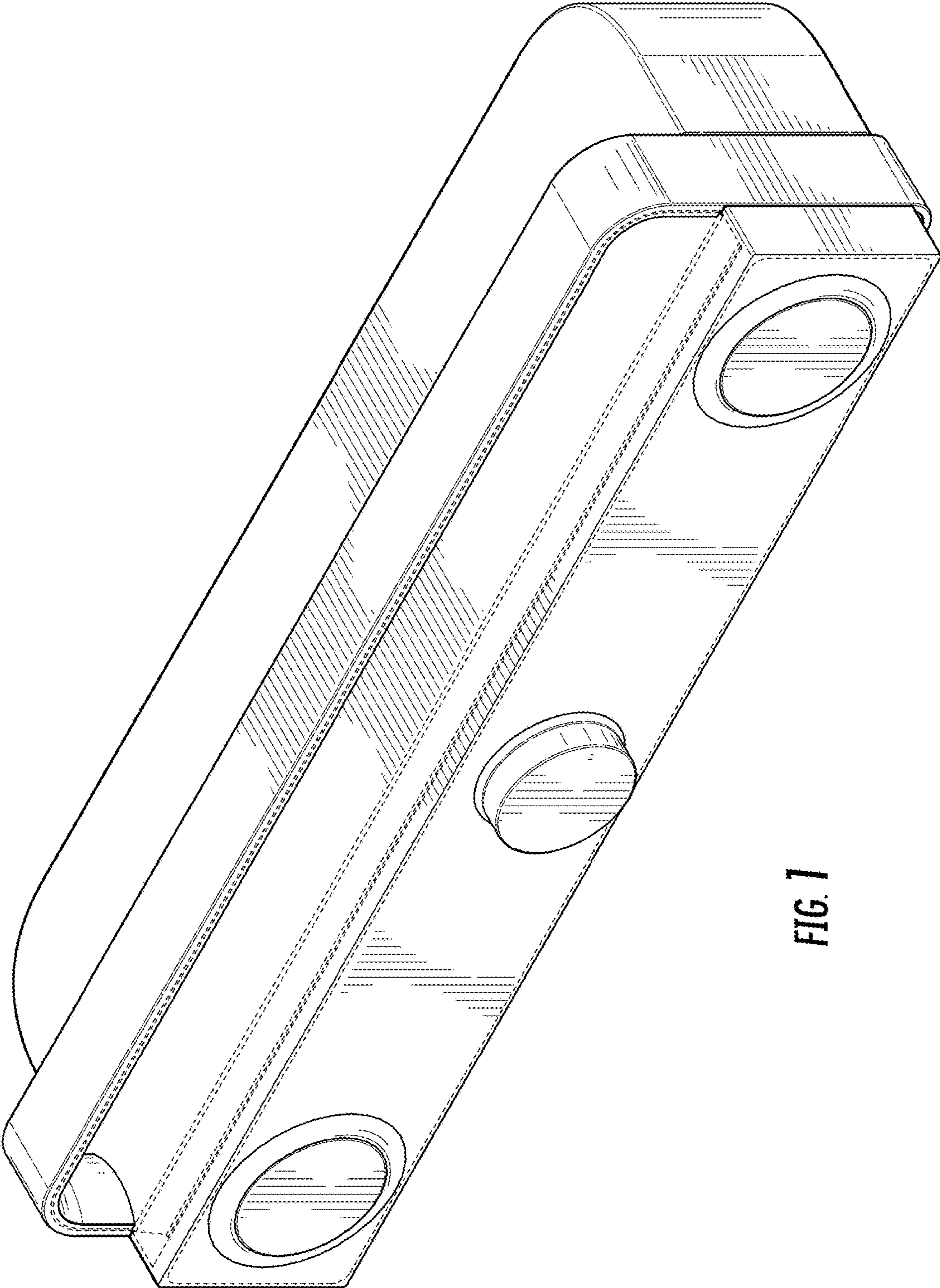


FIG. 1

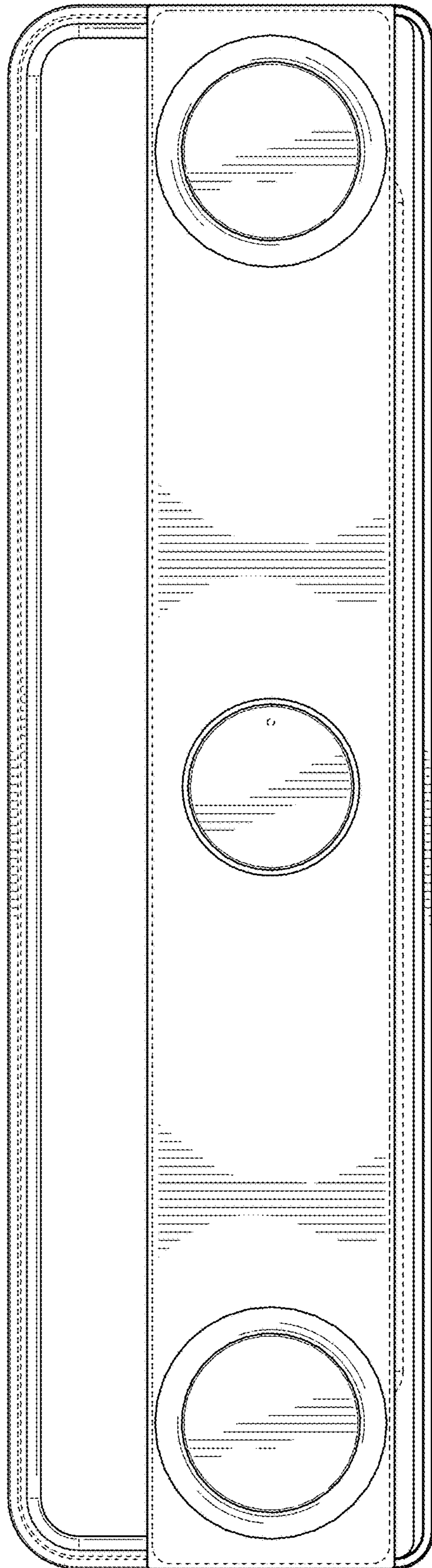


FIG. 2

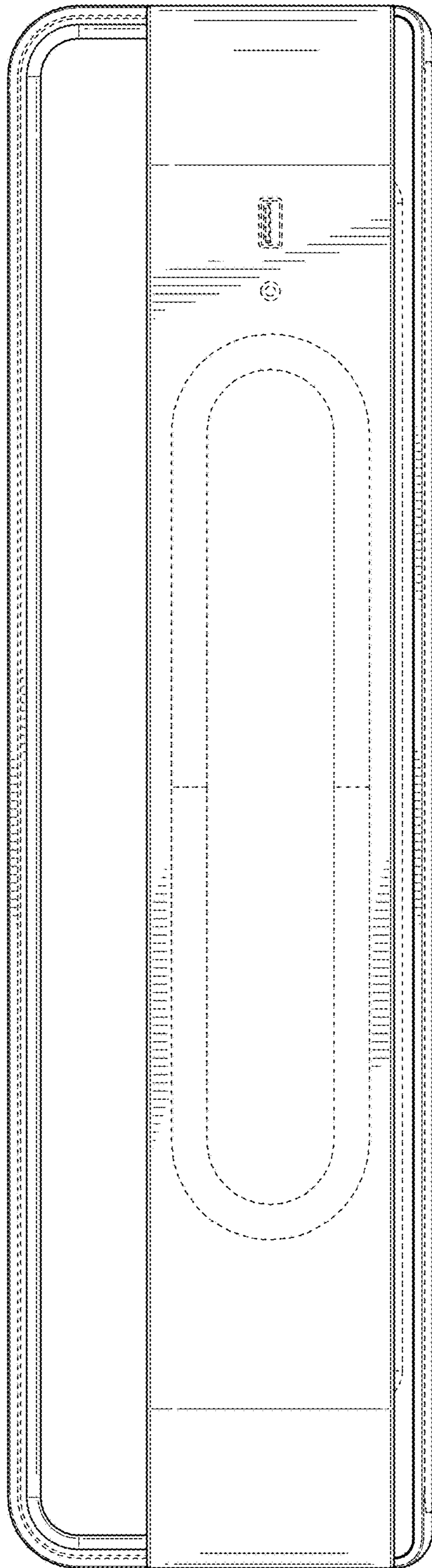


FIG. 3

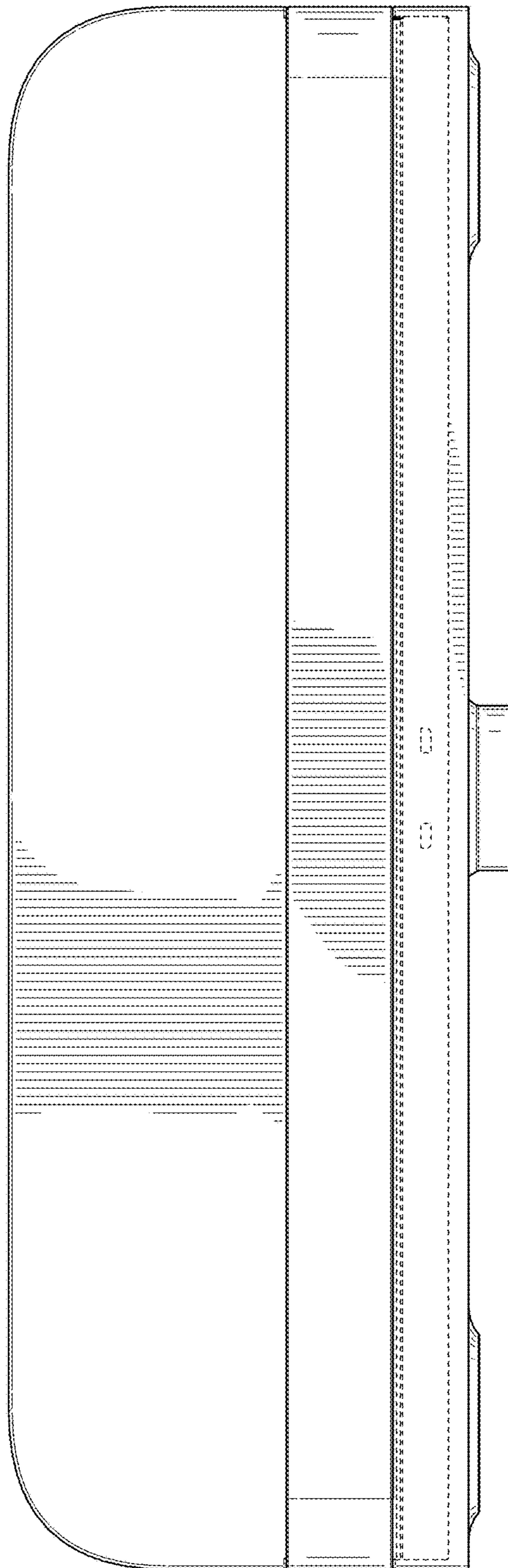


FIG. 4

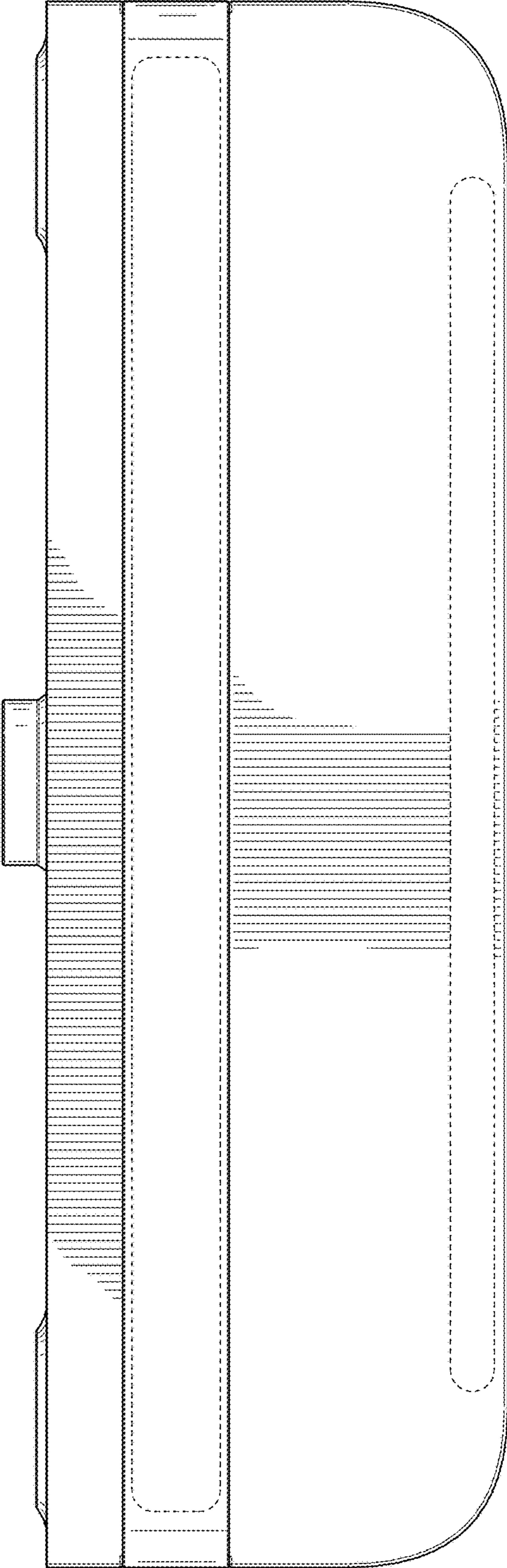


FIG. 5

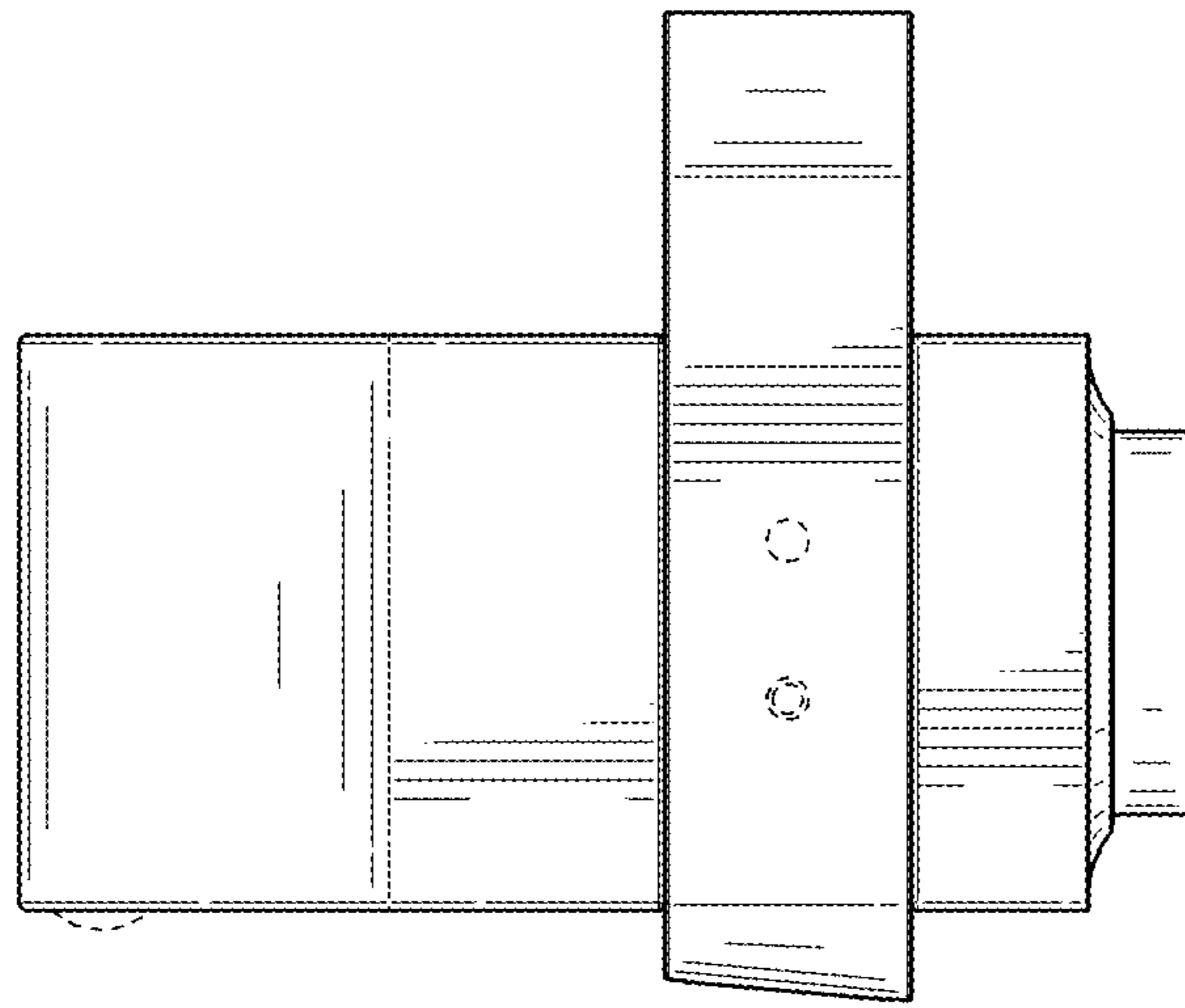


FIG. 6

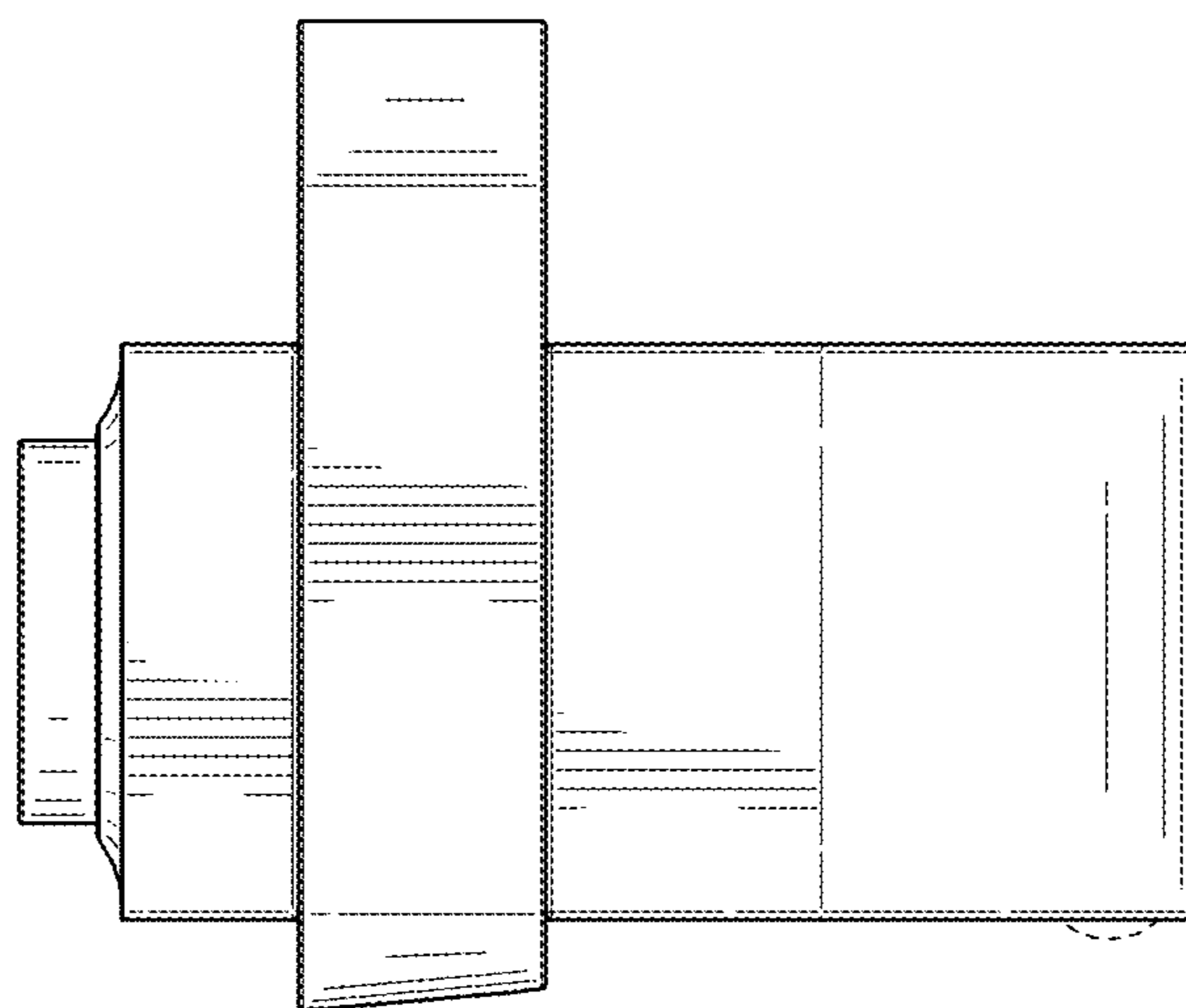


FIG. 7