



US00D782484S

(12) **United States Design Patent**
Hu et al.

(10) **Patent No.:** **US D782,484 S**
(45) **Date of Patent:** **** Mar. 28, 2017**

- (54) **ADAPTER**
- (71) Applicant: **SZ DJI Technology Co., Ltd.**,
Shenzhen (CN)
- (72) Inventors: **Dengfeng Hu**, Shenzhen (CN); **Yanxin Huang**, Shenzhen (CN); **Tao Zhao**,
Shenzhen (CN)
- (73) Assignee: **SZ DJI TECHNOLOGY CO., LTD.**,
Shenzhen (CN)
- (**) Term: **15 Years**
- (21) Appl. No.: **29/559,919**
- (22) Filed: **Mar. 31, 2016**
- (51) **LOC (10) Cl.** **14-02**
- (52) **U.S. Cl.**
USPC **D14/433**
- (58) **Field of Classification Search**
USPC D14/356, 432-434, 453, 454, 511, 203.8,
D14/209.1, 238.1, 240, 125; 439/638,
439/928, 105, 502; 710/303, 304;
361/679.41, 679.55, 679.56; D13/110,
D13/133, 146
CPC H01R 24/64; H01R 24/62; H01R 12/714;
H01R 13/506; H01R 13/6658
See application file for complete search history.

- D731,489 S * 6/2015 Langhammer D14/433
- D733,142 S * 6/2015 Solomon D14/433
- D746,291 S * 12/2015 Solomon D14/433
- D755,790 S * 5/2016 Salvatori D14/433
- D759,017 S * 6/2016 Schwalbach D14/433
- D760,720 S * 7/2016 Laffon de Mazieres D14/433
- D761,262 S * 7/2016 Solomon D14/433

* cited by examiner

Primary Examiner — Austin Murphy

(74) *Attorney, Agent, or Firm* — Sterne, Kessler,
Goldstein & Fox P.L.L.C.

(57) **CLAIM**

The ornamental design for an adapter, as shown and described.

DESCRIPTION

FIG. 1 is a top front perspective view of an adapter showing the claimed design;
 FIG. 2 is a bottom rear perspective view thereof;
 FIG. 3 is a front view thereof;
 FIG. 4 is a rear view thereof;
 FIG. 5 is a top side view thereof;
 FIG. 6 is a bottom side view thereof;
 FIG. 7 is a right view thereof; and,
 FIG. 8 is a left view thereof.

The dashed broken lines in the figures show portions of the adapter that form no part of the claimed design.

The dot-dash broken lines in the figures show boundaries that form no part of the claimed design.

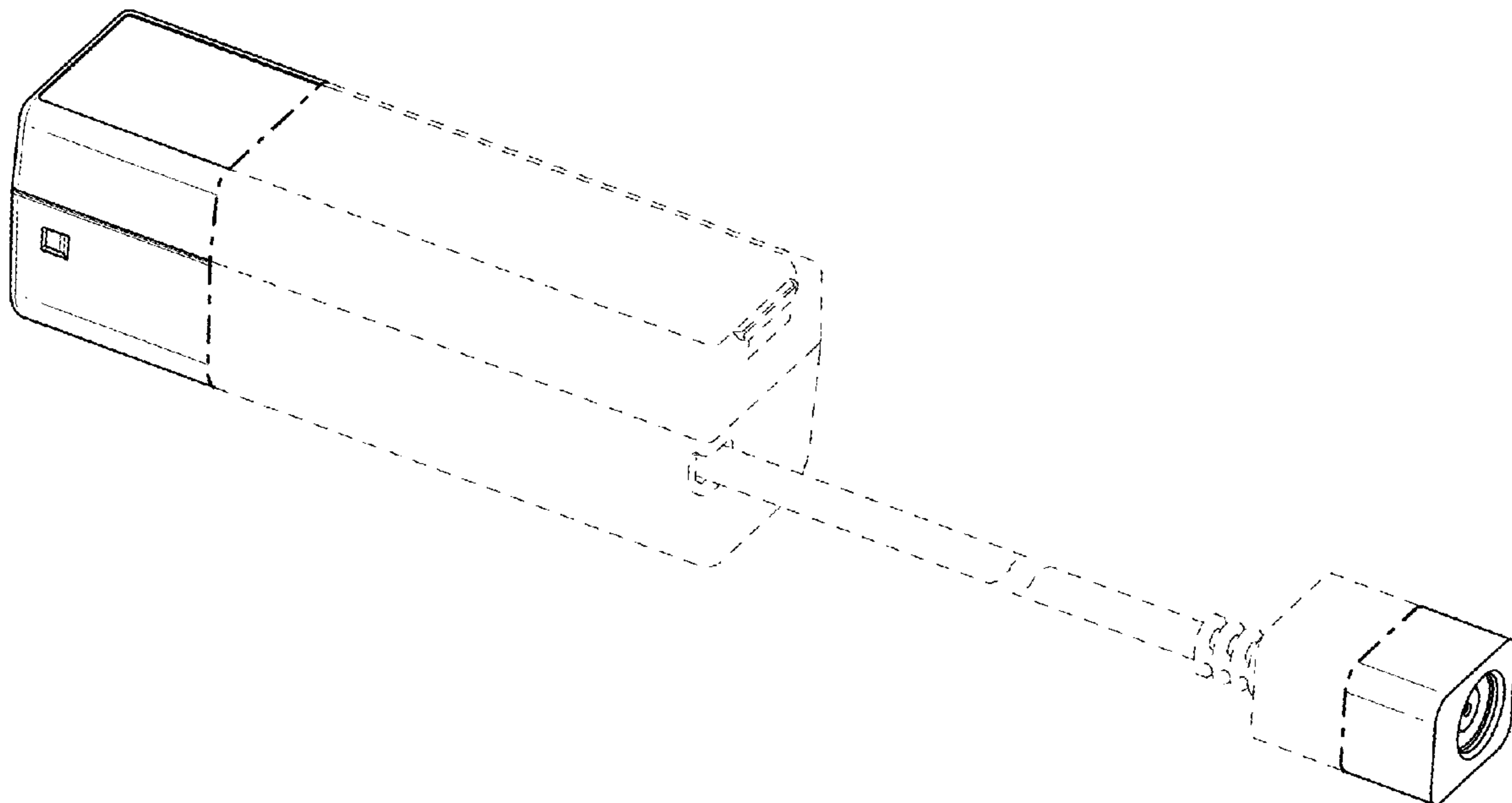
The shade lines in the figures show contour and not surface ornamentation.

1 Claim, 4 Drawing Sheets

(56) **References Cited**

U.S. PATENT DOCUMENTS

- D682,835 S * 5/2013 Daniel D14/433
- D706,752 S * 6/2014 Myung D14/240
- D707,180 S * 6/2014 Yi D13/147
- D730,903 S * 6/2015 Langhammer D14/433



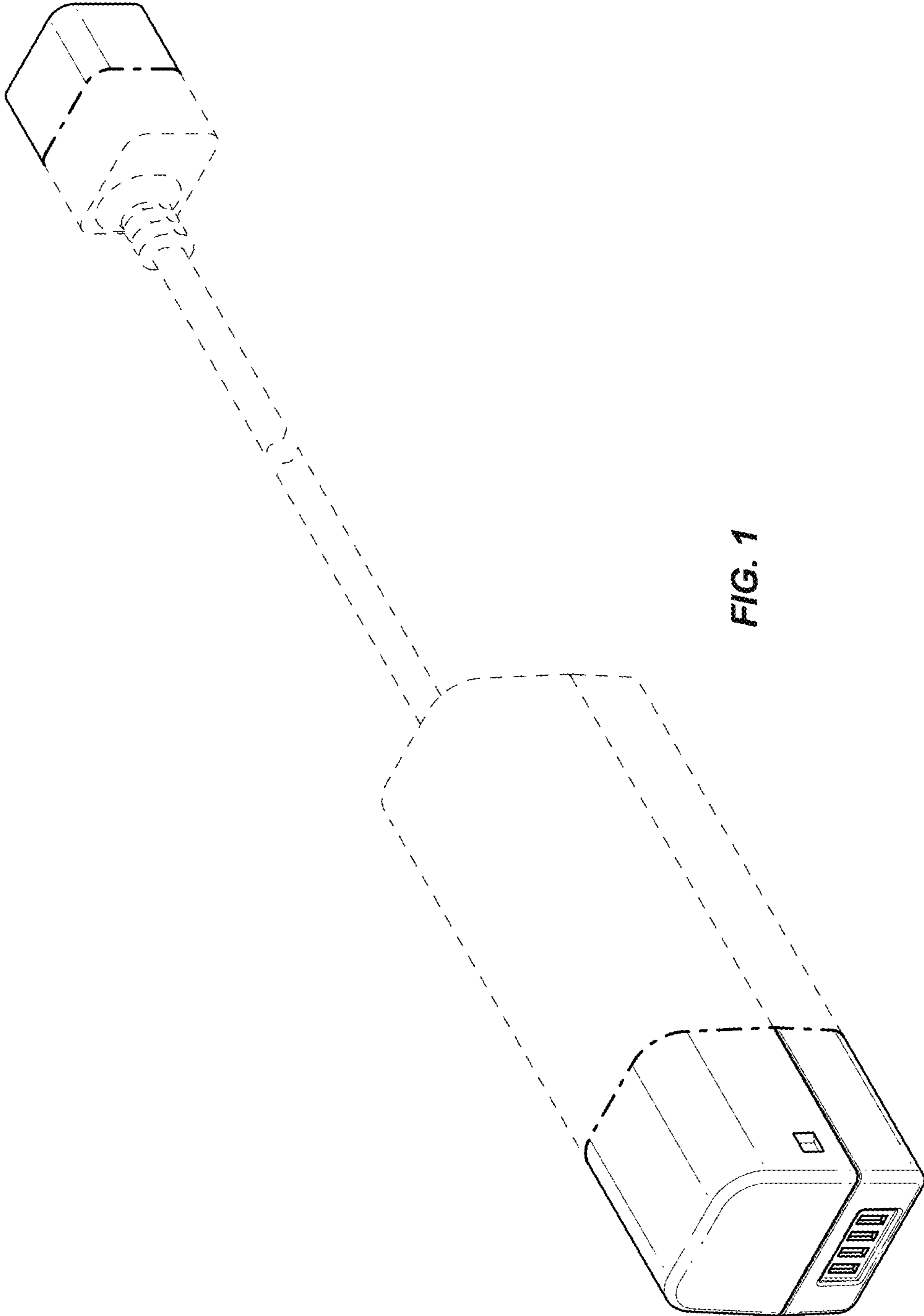


FIG. 1

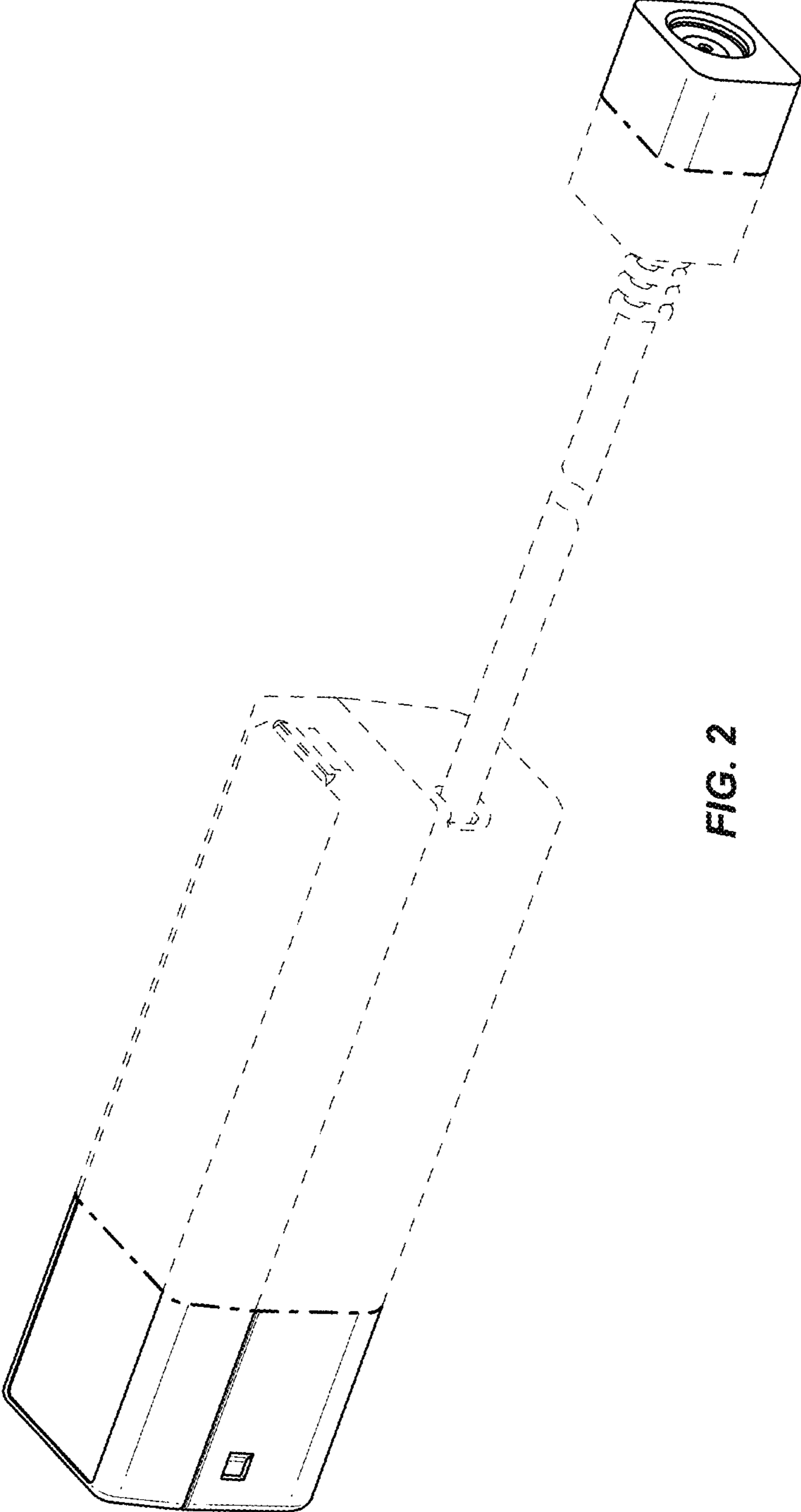


FIG. 2

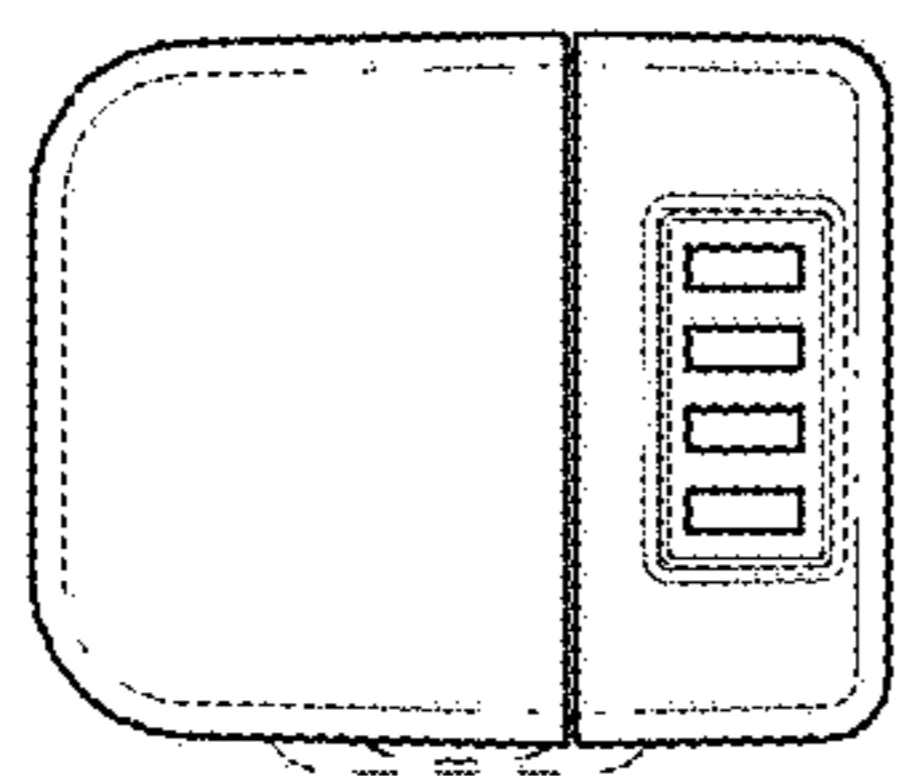


FIG. 3

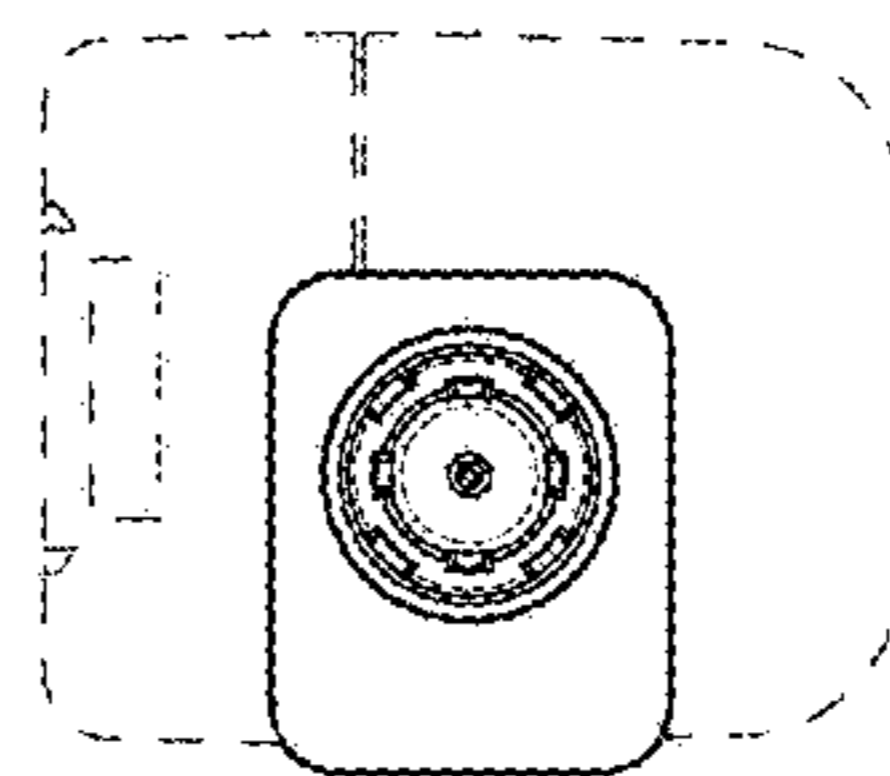


FIG. 4



FIG. 5

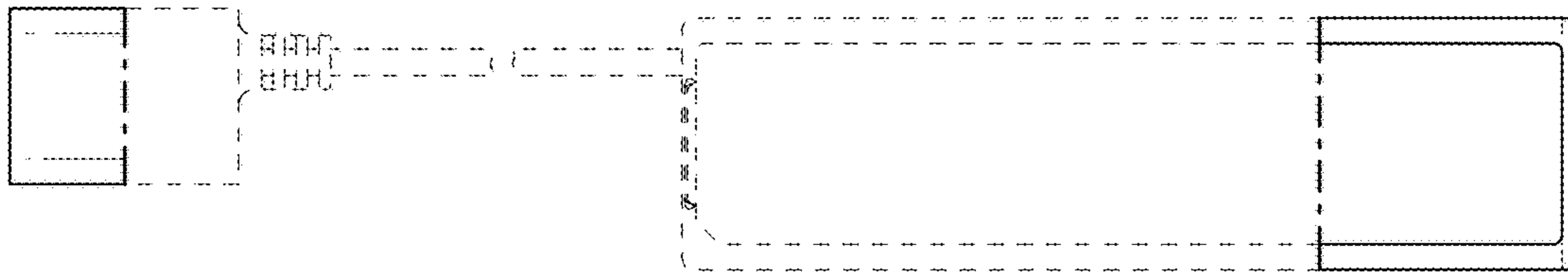


FIG. 6

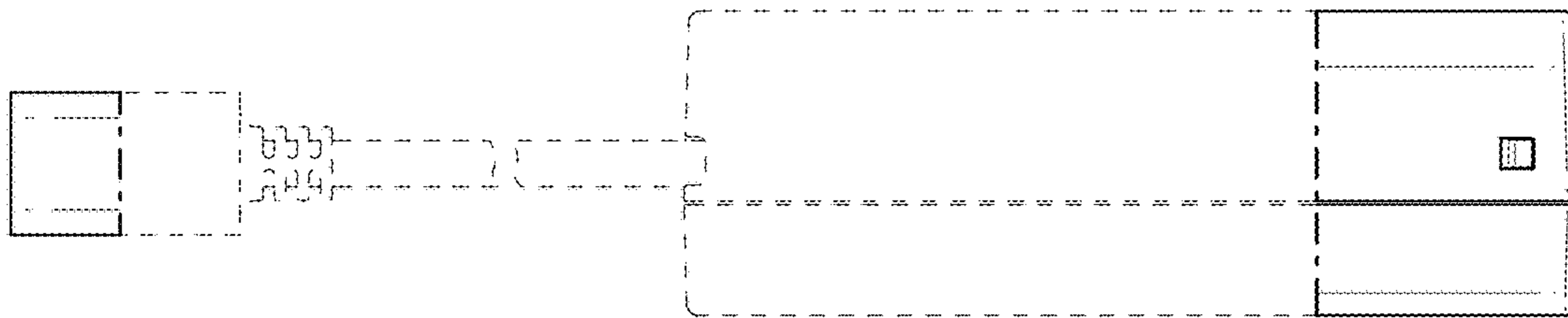


FIG. 8

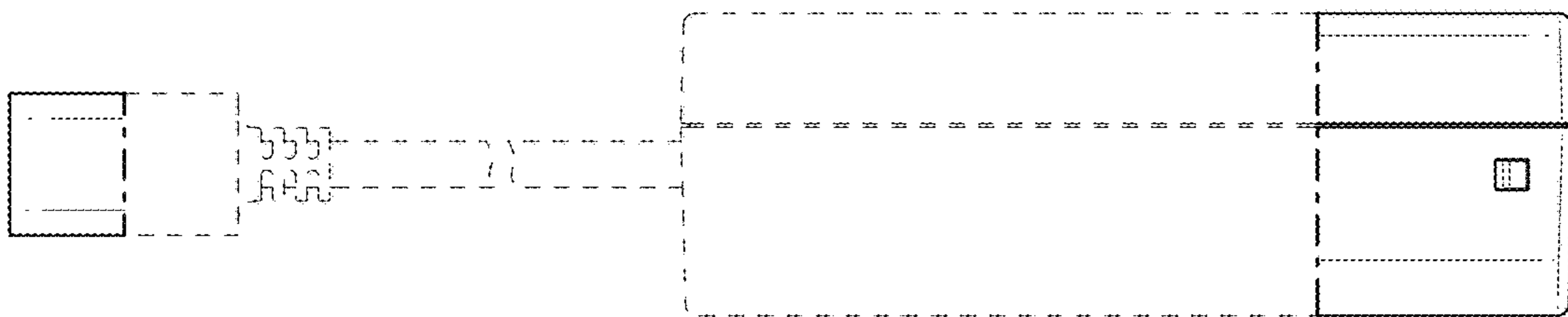


FIG. 7