



US00D782483S

(12) **United States Design Patent**
Patel et al.

(10) **Patent No.:** **US D782,483 S**

(45) **Date of Patent:** **** Mar. 28, 2017**

(54) **IN-LINE DONGLE**

OTHER PUBLICATIONS

(71) Applicant: **PayRange, Inc.**, Portland, OR (US)

Balan et al., mFerio: the design and evaluation of a peer-to-peer mobile payment system, Jun. 2009, 14 pgs.

(Continued)

(72) Inventors: **Paresh K. Patel**, Portland, OR (US);
Nathan Satter, West Linn, OR (US)

Primary Examiner — Austin Murphy

(74) *Attorney, Agent, or Firm* — Morgan, Lewis & Bockius LLP

(73) Assignee: **PAYRANGE, INC.**, Portland, OR (US)

(**) Term: **15 Years**

(57) **CLAIM**

We claim the ornamental design for an in-line dongle, as shown and described.

(21) Appl. No.: **29/557,542**

DESCRIPTION

(22) Filed: **Mar. 9, 2016**

Related U.S. Application Data

(62) Division of application No. 29/477,025, filed on Dec. 18, 2013, now Pat. No. Des. 755,183.

(51) **LOC (10) Cl.** **14-02**

(52) **U.S. Cl.**
USPC **D14/433**

(58) **Field of Classification Search**
USPC D14/356, 432-434, 453, 454, 511, 203.8,
D14/209.1, 238.1, 240, 125; 439/638,
(Continued)

FIG. 1 is a perspective view of the in-line dongle.
FIG. 2 is a front plan view of the in-line dongle of FIG. 1.
FIG. 3 is a back plan view of the in-line dongle of FIG. 1.
FIG. 4 is a first side view of the in-line dongle of FIG. 1, the second side being a mirror image of that shown.
FIG. 5 is a first end view of a connector receptacle of the in-line dongle of FIG. 1.
FIG. 6 is a second end view of a connector receptacle of the in-line dongle of FIG. 1.
FIG. 7 is a perspective view taken from the first end of the in-line dongle of FIG. 1, the connectors and cables between which the in-line dongle is inserted being shown in broken lines for environmental purposes.
FIG. 8 is a perspective view taken from the second end of the inline dongle of FIG. 1, the connectors and cables between which the in-line dongle is inserted being shown in broken lines for environmental purposes; and,
FIG. 9 is a perspective view of the in-line dongle of FIG. 1 within a vending machine.

(56) **References Cited**

U.S. PATENT DOCUMENTS

5,844,808 A 12/1998 Konsmo et al.
5,880,733 A 3/1999 Horvitz et al.

(Continued)

The broken line depictions such as those of the connectors, cables, vending machine, and portions of the in-line dongle are included for environmental purposes and form no part of the claimed design.

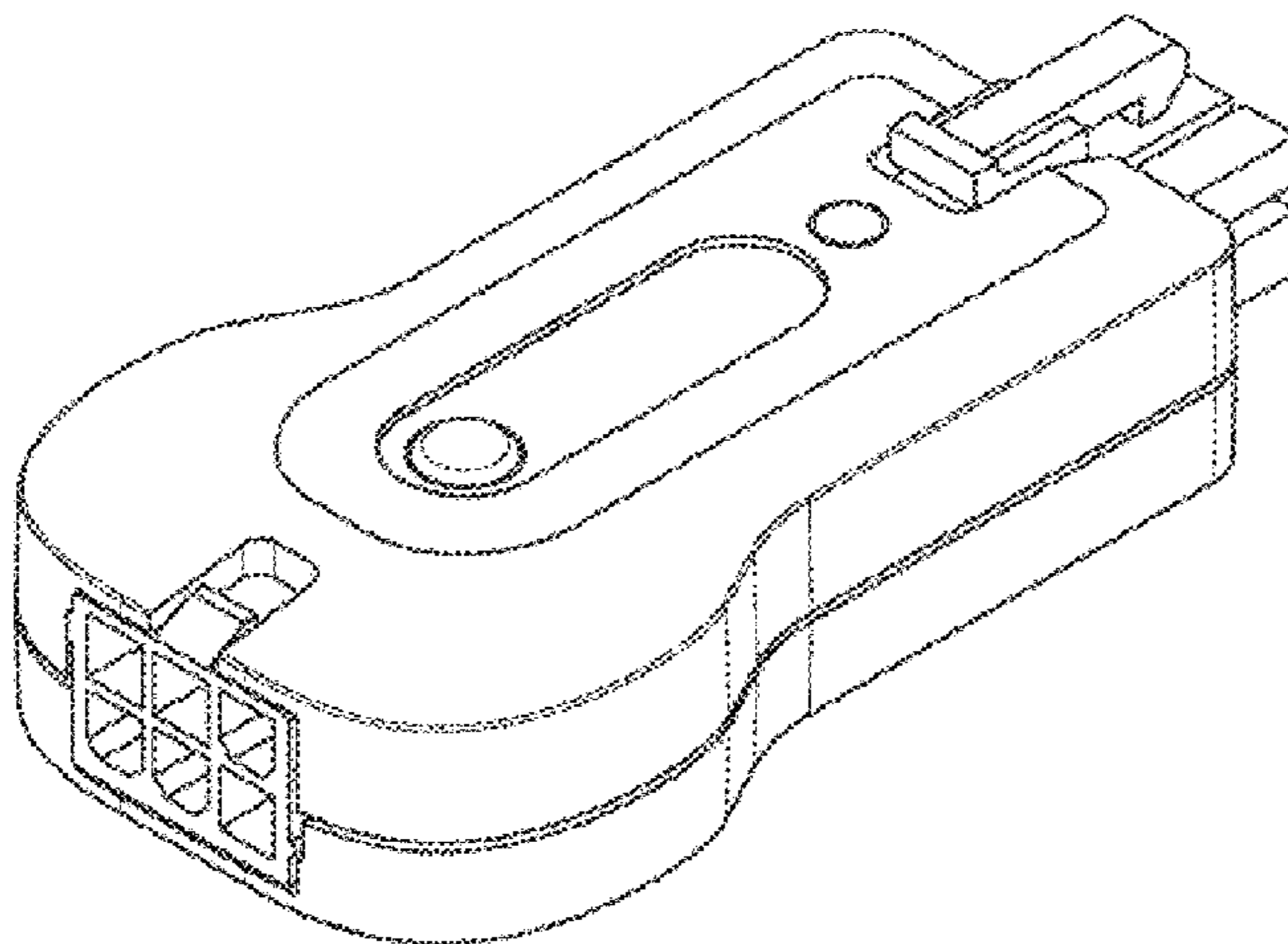
FOREIGN PATENT DOCUMENTS

WO WO2007/015610 A1 2/2007
WO WO2008/083022 A1 7/2008

(Continued)

The gaps shown in phantom are meant to indicate that the in-line dongle may be of any length and/or width as indicated.

1 Claim, 6 Drawing Sheets



(58) **Field of Classification Search**
 USPC 439/928, 105, 502; 710/303, 304;
 361/679.41, 679.55, 679.56; D13/110,
 D13/133, 146
 CPC G06Q 20/202; G06Q 20/322; G06Q 20/32;
 G06Q 20/20; G06Q 20/327
 See application file for complete search history.

(56) **References Cited**
 U.S. PATENT DOCUMENTS

5,892,900 A 4/1999 Ginter et al.
 D412,154 S * 7/1999 Lok D13/147
 D416,230 S 11/1999 Narumo et al.
 D461,476 S 8/2002 Evers et al.
 6,462,644 B1 10/2002 Howell et al.
 D467,935 S 12/2002 Coleman
 D474,154 S * 5/2003 Lai D13/147
 6,584,309 B1 6/2003 Whigham
 D496,370 S 9/2004 Gildred
 6,793,134 B2 9/2004 Clark
 6,810,234 B1 10/2004 Rasanen et al.
 D519,465 S * 4/2006 Sirichai D13/156
 7,085,556 B2 8/2006 Offer
 7,127,236 B2 10/2006 Khan et al.
 D547,761 S 7/2007 Hui
 D578,135 S 10/2008 Nathan
 7,455,223 B1 11/2008 Wilson et al.
 7,464,867 B1 12/2008 Kolls
 D594,024 S 6/2009 King
 D599,806 S 9/2009 Brown et al.
 D601,142 S * 9/2009 Lindley D14/240
 7,672,680 B1 3/2010 Lee et al.
 D613,300 S 4/2010 Chaudhri
 D614,640 S 4/2010 Vieggers et al.
 7,721,958 B2 5/2010 Belfer et al.
 7,848,980 B2 12/2010 Carlson
 D631,060 S 1/2011 Flik et al.
 D638,853 S 5/2011 Brinda
 D640,282 S 6/2011 Woo
 D640,284 S 6/2011 Woo et al.
 D644,240 S 8/2011 Arnold et al.
 D651,608 S 1/2012 Allen
 D651,609 S 1/2012 Pearson et al.
 D656,947 S 4/2012 Vance et al.
 D658,667 S 5/2012 Cho et al.
 D662,508 S 6/2012 Kim
 D662,942 S 7/2012 Trabona et al.
 D664,988 S 8/2012 Gleasman et al.
 D669,899 S * 10/2012 Cheng D14/435.1
 8,346,670 B2 1/2013 Hasson et al.
 8,356,754 B2 1/2013 Johnson et al.
 8,376,227 B2 2/2013 Hammad et al.
 8,396,589 B2 3/2013 Katzenstein Garibaldi et al.
 D681,050 S 4/2013 Ray et al.
 8,412,626 B2 4/2013 Hirson et al.
 D681,660 S 5/2013 Matas
 8,438,066 B1 5/2013 Yuen
 D687,056 S 7/2013 Matas et al.
 8,479,190 B2 7/2013 Sueyoshi et al.
 8,489,140 B2 7/2013 Weiner et al.
 8,517,766 B2 8/2013 Golko et al.
 D691,140 S 10/2013 Huang
 D692,456 S 10/2013 Brinda
 8,548,426 B2 10/2013 Smith
 8,583,496 B2 11/2013 Yoo et al.
 D695,305 S 12/2013 Bhatia et al.
 8,596,528 B2 12/2013 Fernandes et al.
 8,600,899 B1 12/2013 Davis
 8,615,445 B2 12/2013 Dorsey et al.
 8,645,971 B2 2/2014 Carlson et al.
 D701,527 S 3/2014 Brinda et al.
 8,700,530 B2 4/2014 Smith
 8,707,276 B2 4/2014 Hill et al.
 8,712,893 B1 4/2014 Brandmaier
 D705,244 S 5/2014 Arnold et al.
 D706,802 S 6/2014 Myung et al.

D707,234 S 6/2014 Tan
 8,769,643 B1 7/2014 Ben Ayed
 8,810,430 B2 8/2014 Proud
 8,819,659 B2 8/2014 Ramer et al.
 8,838,481 B2 9/2014 Moshfeghi
 8,850,421 B2 9/2014 Proud
 D716,339 S 10/2014 Lee
 8,856,045 B1 10/2014 Patel et al.
 D717,747 S * 11/2014 Nishimoto D14/125
 8,898,620 B2 11/2014 Eizenman et al.
 D720,765 S 1/2015 Xie et al.
 D721,374 S * 1/2015 Liu D14/433
 D724,603 S 3/2015 Williams et al.
 D726,736 S 4/2015 Smirin et al.
 D726,757 S 4/2015 Angelides
 D727,337 S 4/2015 Kim et al.
 D727,341 S 4/2015 Park
 9,001,047 B2 4/2015 Forstall
 9,037,492 B2 5/2015 White
 D730,904 S * 6/2015 Liu D14/433
 D735,236 S 7/2015 Keavney
 D735,751 S 8/2015 Hwang et al.
 D736,248 S 8/2015 Chen et al.
 D741,865 S 10/2015 Sundermeyer et al.
 D741,897 S 10/2015 Wilkinson et al.
 9,210,247 B2 12/2015 Vance et al.
 D746,866 S 1/2016 Memoria et al.
 D748,113 S 1/2016 Gray
 D755,183 S * 5/2016 Patel D14/433
 D764,532 S 8/2016 Patel
 2002/0016740 A1 2/2002 Ogasawara
 2002/0164953 A1 11/2002 Curtis
 2003/0110097 A1 6/2003 Lei
 2003/0158891 A1 8/2003 Lei et al.
 2004/0049454 A1 3/2004 Kanno et al.
 2004/0117262 A1 6/2004 Berger et al.
 2005/0101295 A1 5/2005 Rupp
 2005/0177798 A1 8/2005 Thomson et al.
 2005/0181804 A1 8/2005 Misikangas et al.
 2005/0232421 A1 10/2005 Simons et al.
 2006/0052157 A1 3/2006 Walker et al.
 2006/0123335 A1 6/2006 Sanchez et al.
 2007/0050083 A1 3/2007 Signorelli et al.
 2007/0187491 A1 8/2007 Godwin et al.
 2008/0033880 A1 2/2008 Fiebiger et al.
 2008/0126213 A1 5/2008 Robertson et al.
 2008/0141033 A1 6/2008 Ginter et al.
 2008/0154727 A1 6/2008 Carlson
 2008/0154735 A1 6/2008 Carlson
 2008/0167991 A1 7/2008 Carlson et al.
 2008/0183480 A1 7/2008 Carlson et al.
 2008/0201226 A1 8/2008 Carlson et al.
 2008/0208762 A1 8/2008 Arthur et al.
 2008/0254853 A1 10/2008 Wright et al.
 2008/0255947 A1 10/2008 Friedman
 2008/0319913 A1 12/2008 Wiechers et al.
 2009/0037284 A1 2/2009 Lewis et al.
 2009/0099961 A1 4/2009 Ogilvy
 2009/0119190 A1 5/2009 Realini
 2009/0171682 A1 7/2009 Dixon et al.
 2009/0306818 A1 12/2009 Slagley et al.
 2009/0313132 A1 12/2009 McKenna et al.
 2009/0327089 A1 12/2009 Kanno et al.
 2010/0094456 A1 4/2010 Simpkins et al.
 2011/0040686 A1 2/2011 Carlson
 2011/0153436 A1 6/2011 Krampe
 2011/0153442 A1 6/2011 Krampe
 2011/0251910 A1 10/2011 Dimmick
 2011/0276636 A1 11/2011 Cheng et al.
 2011/0289023 A1 11/2011 Forster et al.
 2012/0011024 A1 1/2012 Dorsey et al.
 2012/0016731 A1 1/2012 Smith et al.
 2012/0029691 A1 2/2012 Mockus et al.
 2012/0036045 A1 2/2012 Lowe et al.
 2012/0078735 A1 3/2012 Bauer et al.
 2012/0158172 A1 6/2012 Wencslao
 2012/0197740 A1 8/2012 Grigg et al.
 2012/0231844 A1 9/2012 Coppinger
 2012/0246074 A1 9/2012 Annamalai et al.

(56)

References Cited

U.S. PATENT DOCUMENTS

2012/0254631	A1	10/2012	Skillman et al.
2012/0276845	A1	11/2012	Wikander
2012/0290472	A1	11/2012	Mullen et al.
2012/0296826	A1	11/2012	Bergdale et al.
2012/0303528	A1	11/2012	Weiner et al.
2012/0316963	A1	12/2012	Moshfeghi
2013/0030931	A1	1/2013	Moshfeghi
2013/0054395	A1	2/2013	Cyr et al.
2013/0067365	A1	3/2013	Shrufi et al.
2013/0085835	A1	4/2013	Horowitz
2013/0110296	A1	5/2013	Khoo et al.
2013/0117738	A1	5/2013	Livingston et al.
2013/0124289	A1	5/2013	Fisher
2013/0143498	A1	6/2013	Niemi
2013/0166448	A1	6/2013	Narayanan
2013/0185150	A1	7/2013	Crum
2013/0217333	A1	8/2013	Sprigg et al.
2013/0246171	A1	9/2013	Carapelli
2013/0246364	A1	9/2013	Bhavith
2013/0267121	A1	10/2013	Hsu
2013/0267176	A1	10/2013	Hertel et al.
2013/0278622	A1	10/2013	Sun et al.
2013/0297422	A1	11/2013	Hunter et al.
2013/0311379	A1	11/2013	Smith
2013/0311382	A1	11/2013	Fosmark et al.
2013/0332293	A1	12/2013	Ran
2013/0346305	A1	12/2013	Mendes
2014/0019367	A1	1/2014	Khan et al.
2014/0040028	A1	2/2014	King et al.
2014/0040117	A1	2/2014	Jain
2014/0064116	A1	3/2014	Linde et al.
2014/0067542	A1	3/2014	Everingham
2014/0074714	A1	3/2014	Melone et al.
2014/0074723	A1	3/2014	Kamat
2014/0100977	A1	4/2014	Davis
2014/0122298	A1	5/2014	Oyer
2014/0136301	A1	5/2014	Valdes
2014/0136411	A1	5/2014	Cho et al.
2014/0143055	A1	5/2014	Johnson
2014/0180852	A1	6/2014	Kamat
2014/0201066	A1	7/2014	Roux et al.
2014/0249995	A1	9/2014	Ogilvy
2014/0279101	A1	9/2014	Duplan et al.
2014/0317611	A1	10/2014	Wojcik et al.
2014/0361872	A1	12/2014	Garcia et al.
2014/0378057	A1	12/2014	Ramon et al.
2015/0073980	A1	3/2015	Griffin et al.
2015/0081462	A1	3/2015	Ozvat et al.
2015/0088698	A1	3/2015	Ackerman
2015/0100152	A1	4/2015	Barragan Trevino et al.
2015/0105901	A1	4/2015	Joshi et al.
2015/0149992	A1	5/2015	Wade et al.
2015/0154579	A1	6/2015	Teicher
2015/0235202	A1	8/2015	Zabala
2015/0346994	A1	12/2015	Chanyontpatanakul
2016/0019604	A1	1/2016	Kobayashi

FOREIGN PATENT DOCUMENTS

WO	WO2008/083025	A2	7/2008
WO	WO2008/083078	A2	7/2008
WO	WO2008/083089	A1	7/2008
WO	WO2008/083105	A2	7/2008
WO	WO2008/083115	A1	7/2008
WO	WO2008/083119	A1	7/2008
WO	WO2013/132995	A1	9/2013
WO	WO2013/177416	A2	11/2013

OTHER PUBLICATIONS

Balfe et al., e-EMV: emulating EMV for internet payments with trusted computing Technologies, Oct. 2008, 12 pgs.
 Bing, Bing Images Search: "dongle", <http://www.bing.com/images/search?q=dongle&FORM+HDRSC2>, Dec. 5, 2013, 2 pgs.

Google, Chromecast, <http://www.google.com/intl/devices/chromecast/>, Dec. 12, 2013, 4 pgs.
 Kadambi, Near-Field Communication-based Secure Mobile Payment Service, Aug. 2009, 10 pgs.
 Madlmayr et al., "Near Field Communication Based Mobile Payment System," Austrian Research Funding Agency, Project 811408, Mar. 6, 2008, 13 pgs.
 Patel, Office Action U.S. Appl. No. 14/321,733, dated Aug. 21, 2014, 9 pgs.
 Patel, Final Office Action U.S. Appl. No. 14/321,733, dated Nov. 14, 2014, 11 pgs.
 Patel, Notice of Allowance, U.S. Appl. No. 14/321,733, dated Feb. 27, 2015, 9 pgs.
 Patel, Office Action U.S. Appl. No. 14/320,534, dated Oct. 29, 2014, 18 pgs.
 Patel, Office Action U.S. Appl. No. 14/320,534, dated Apr. 16, 2015, 21 pgs.
 Patel, Office Action U.S. Appl. No. 14/320,534, dated Apr. 8, 2016, 21 pgs.
 Patel, Office Action U.S. Appl. No. 14/335,762, dated Dec. 10, 2014, 7 pgs.
 Patel, Office Action U.S. Appl. No. 14/335,762, dated Sep. 18, 2015, 23 pgs.
 Patel, Final Office Action U.S. Appl. No. 14/335,762, dated Jun. 9, 2016, 15 pgs.
 Patel, Office Action U.S. Appl. No. 14/321,717, dated Dec. 19, 2014, 16 pgs.
 Patel, Final Office Action U.S. Appl. No. 14/321,717, dated Jun. 18, 2015, 22 pgs.
 Patel, Office Action U.S. Appl. No. 14/456,683, dated Jan. 2, 2015, 10 pgs.
 Patel, Final Office Action U.S. Appl. No. 14/456,683, dated Jun. 8, 2015, 14 pgs.
 Patel, Notice of Allowance, U.S. Appl. No. 14/456,683, dated Oct. 8, 2015, 15 pgs.
 Patel, Office Action U.S. Appl. No. 14/456,192, dated Jan. 30, 2015, 24 pgs.
 Patel, Final Office Action U.S. Appl. No. 14/458,192, dated Sep. 16, 2015, 26 pgs.
 Patel, Office Action U.S. Appl. No. 14/458,199, dated Jan. 5, 2015, 7 pgs.
 Patel, Final Office Action U.S. Appl. No. 14/458,199, dated Jun. 24, 2015, 8 pgs.
 Patel, Office Action U.S. Appl. No. 14/458,199, dated Mar. 28, 2016, 8 pgs.
 Patel, Office Action U.S. Appl. No. 14/321,724, dated May 15, 2015, 19 pgs.
 Patel, Office Action U.S. Appl. No. 14/641,236, dated May 29, 2015, 9 pgs.
 Patel, Final Office Action U.S. Appl. No. 14/641,236, dated Mar. 11, 2016, 16 pgs.
 Patel, Final Office Action U.S. Appl. No. 14/321,724, dated Oct. 8, 2015, 19 pgs.
 Patel, Quayle Office Action U.S. Appl. No. 29/524,725, dated Mar. 30, 2016, 7 pgs.
 Patel, Notice of Allowance, U.S. Appl. No. 29/524,726, Mar. 29, 2016, 9 pgs.
 Patel, Notice of Allowance, U.S. Appl. No. 29/524,728, dated Mar. 23, 2016, 8 pgs.
 Patel, Office Action, U.S. Appl. No. 29/524,727, dated Apr. 1, 2016, 5 pgs.
 Patel, Notice of Allowance, U.S. Appl. No. 29/524,730, dated Apr. 6, 2016, 8 pgs.
 Patel, Office Action U.S. Appl. No. 14/614,336, dated May 27, 2015, 17 pgs.
 Patel, Office Action U.S. Appl. No. 29/477,025, dated Aug. 14, 2015, 5 pgs.
 Patel, Notice of Allowance, U.S. Appl. No. 29/477,025, dated Dec. 16, 2015, 7 pgs.
 PayRange, Office Action, CA164958, Feb. 5, 2016, 4 pgs.
 PayRange Office Action, CA164959, Feb. 5, 2016, 1 pg.
 PayRange Office Action, CA164960, Feb. 5, 2016, 6 pgs.
 PayRange Office Action, CA164961, Feb. 5, 2016, 4 pgs.

(56)

References Cited

OTHER PUBLICATIONS

PayRange Office Action, CA164962, Feb. 5, 2016, 3 pgs.
 PayRange Office Action, JP2015-023452, Jul. 8, 2016, 5 pgs.
 PayRange Office Action, JP2015-023453, Jul. 8, 2016, 5 pgs.
 PayRange Office Action, JP2015-023454, Jul. 8, 2016, 5 pgs.
 PayRange Office Action, JP2015-023455, Jul. 8, 2016, 5 pgs.
 PayRange Office Action, JP2015-023456, Jul. 8, 2016, 5 pgs.
 U.S. Appl. No. 60/871,898, Value Based Offers, inventor Mark Carlson, filed Dec. 26, 2006. US Patent and Trademark Office, 169 pgs.
 PayRange, Inc., International Search Report and Written Opinion, PCT/US2014/071284, Mar. 25, 2015, 9 pgs.
 PayRange, Inc., International Preliminary Report on Patentability, PCT/US2014/071284, Jun. 21, 2016, 6 pgs.
 PayRange New Product Launch, posted at youtube.com, posting date Jun. 27, 2015, © 2016 YouTube, LLC, [online], [site visited Mar. 2, 2016]. Available from Internet, <URL: <https://www.youtube.com/watch?v=NTvvV03XFeg>>, 1 pg.
 Smart Vending Machine Demo at TechCrunch Disrupt 2013, posted at youtube.com, posting date Dec. 3, 2013, © 2016 YouTube, LLC, [online], [site visited Mar. 2, 2016]. Available from internet, URL: <https://www.youtube.com/watch?v=XEz1H-gxLj8>>, 1 pg.
 Square Mobile Credit Card Processing for iPhone, iPod, iPad, posted at youtube.com, posting date Apr. 30, 2011, © 2016 YouTube, LLC, [online], [site visited Mar. 2, 2016]. Available from internet, <URL: <https://www.youtube.com/watch?v=v6sKb3CFSKw>>, 1 pg.
 Patel, Notice of Allowance U.S. Appl. No. 14/335,762, dated Oct. 3, 2016, 7 pgs.
 Patel, Notice of Allowance, U.S. Appl. No. 29/557,541, Jul. 27, 2016, 6 pgs.
 PayRange, Examination Report No. 1, AU201515576, Jun. 28, 2016, 8 pgs. (Received Aug. 3, 2016).
 PayRange, Examination Report No. 1, AU201515578, May 6, 2016, 3 pgs. (Received Aug. 9, 2016).
 PayRange, Examination Report No. 1, AU201515579, May 6, 2016, 3 pgs. (Received Aug. 3, 2016).
 Patel, Office Action, U.S. Appl. No. 14/611,065, dated Oct. 3, 2016, 19 pgs.

PayRange, Communication Pursuant to Rules 161(1) and 162, EP148286 7.2, Sep. 21, 2016, 2 pgs.
 PayRange, Inc., International Search Report and Written Opinion, PCT/US2016/015763, Aug. 4, 2016, 9 pgs.
 Apple Inc., Trade Mark Details, Trade Mark: 1437923, Jun. 14, 2011, downloaded on Sep. 27, 2016 from [http://intranet.aipo.gov.au/atmoss/Falcon_Details.Print_TM_Details?p_tm_number=1 . . .](http://intranet.aipo.gov.au/atmoss/Falcon_Details.Print_TM_Details?p_tm_number=1...), 2 pgs.
 Australian Design No. 315641 which was published on the website http://pericles.ipaustralia.gov.au/adds2/adds.adds_details.paint_details?p_design_id=315641, with a priority date of Jan. 5, 2007, 1 pg.
 Australian Design No. 316051 which was published on the website http://pericles.ipaustralia.gov.au/adds2/adds.adds_details.paint_details?p_design_id=316051, with a priority date of Jan. 5, 2007, 1 pg.
 Australian Design No. 316052 which was published on the website http://pericles.ipaustralia.gov.au/adds2/adds.adds_details.paint_details?p_design_id=316052, with a priority date of Jan. 5, 2007, 1 pg.
 Australian Design No. 322819 which was published on the website http://pericles.ipaustralia.gov.au/adds2/adds.adds_details.paint_details?p_design_id=322819, with a priority date of Apr. 7, 2008, 1 pg.
 Australian Design No. 322820 which was published on the website http://pericles.ipaustralia.gov.au/adds2/adds.adds_details.paint_details?p_design_id=322820, with a priority date of Apr. 7, 2008, 1 pg.
 Australian Design No. 322821 which was published on the website http://pericles.ipaustralia.gov.au/adds2/adds.adds_details.paint_details?p_design_id=322821, with a priority date of Apr. 7, 2008, 1 pg.
 Australian Design No. 322818 which was published on the website http://pericles.ipaustralia.gov.au/adds2/adds.adds_details.paint_details?p_design_id=322818, with a priority date of Apr. 7, 2008, 1 pg.
 PayRange, Examination Report No. 1, AU201515565, Sep. 28, 2016, 2 pgs.
 PayRange, EUIPO, RCD file information, Design No. 002833087-0005, Oct. 22, 2015, downloaded on Sep. 27, 2016 from <https://euipo.europa.eu/eSearch/>, 3 pgs.

* cited by examiner

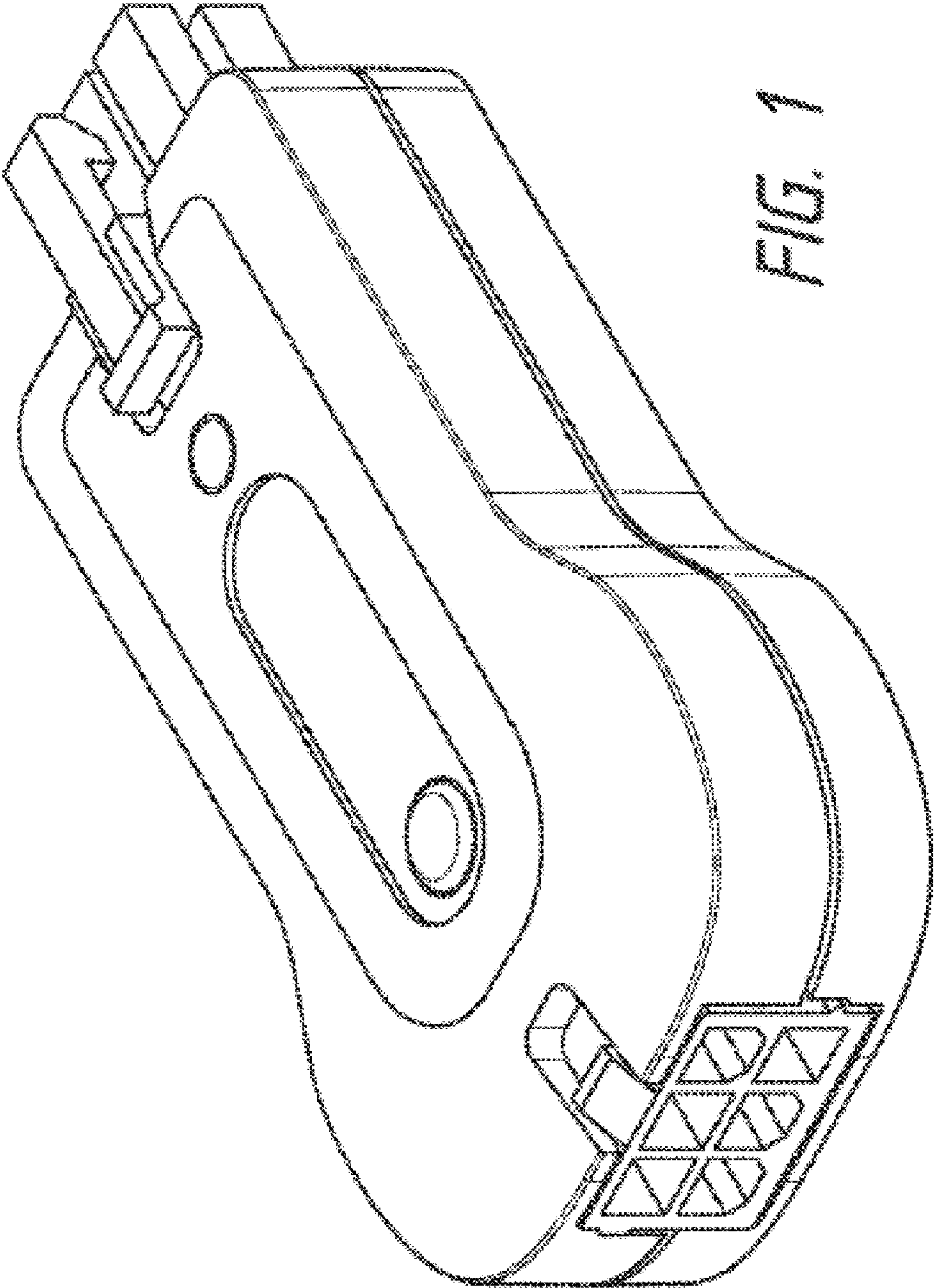


FIG. 1

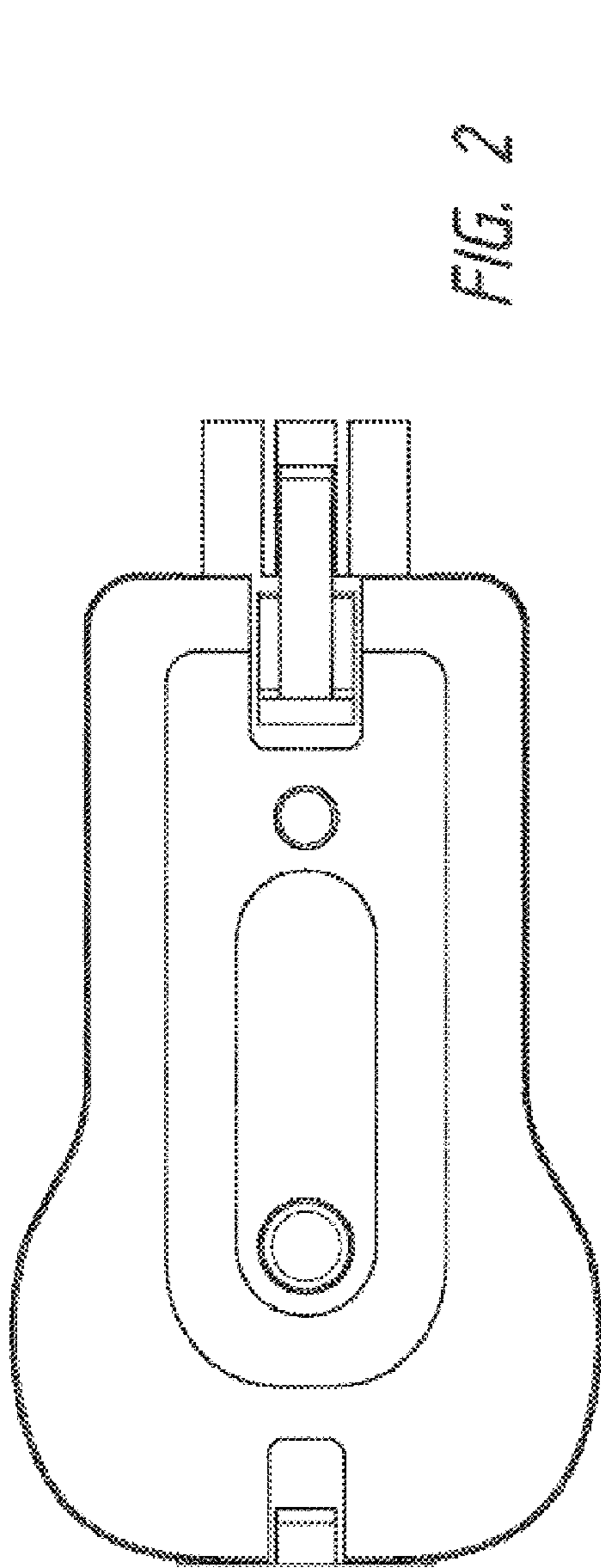


FIG. 2

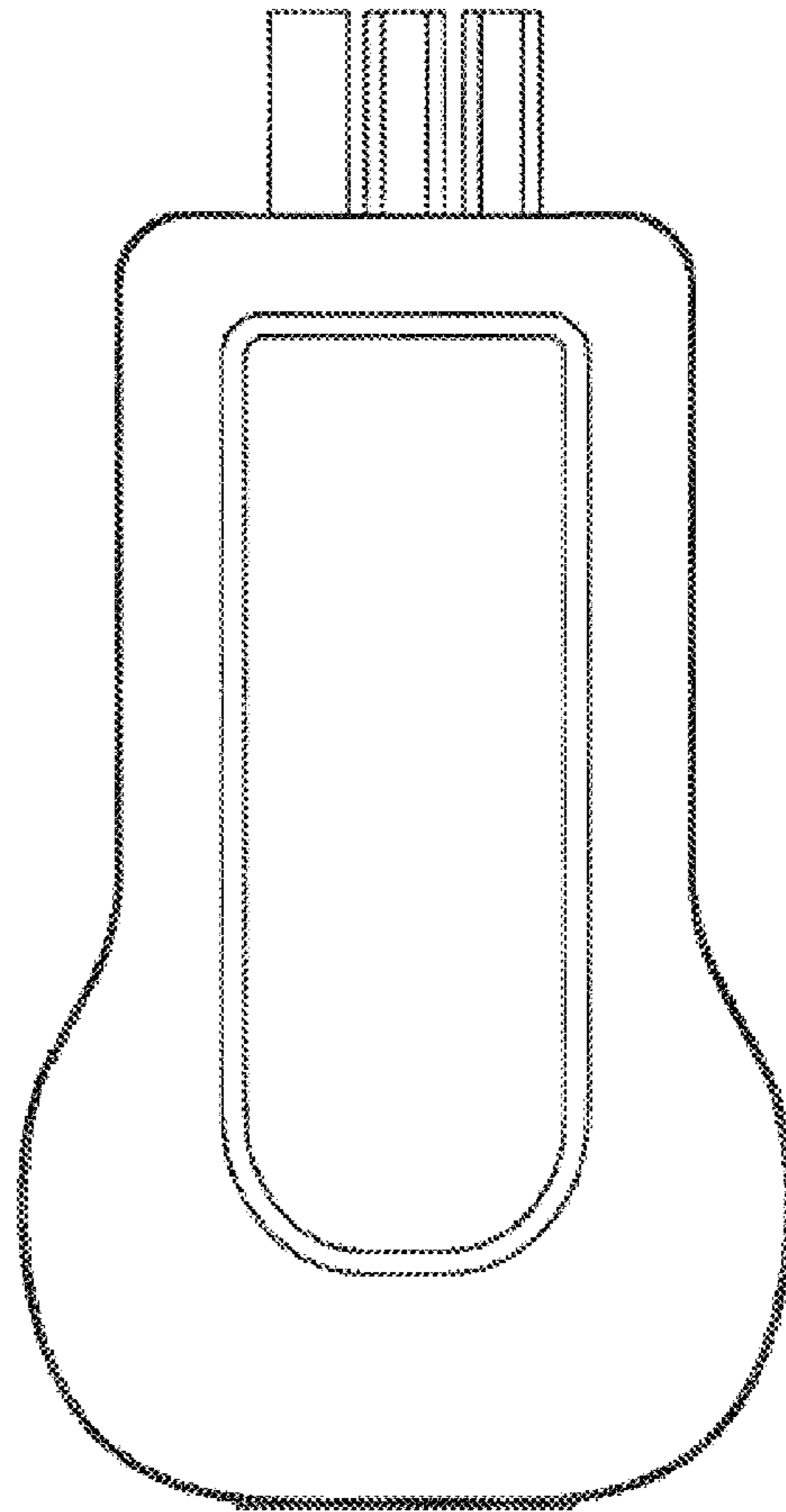


FIG. 3

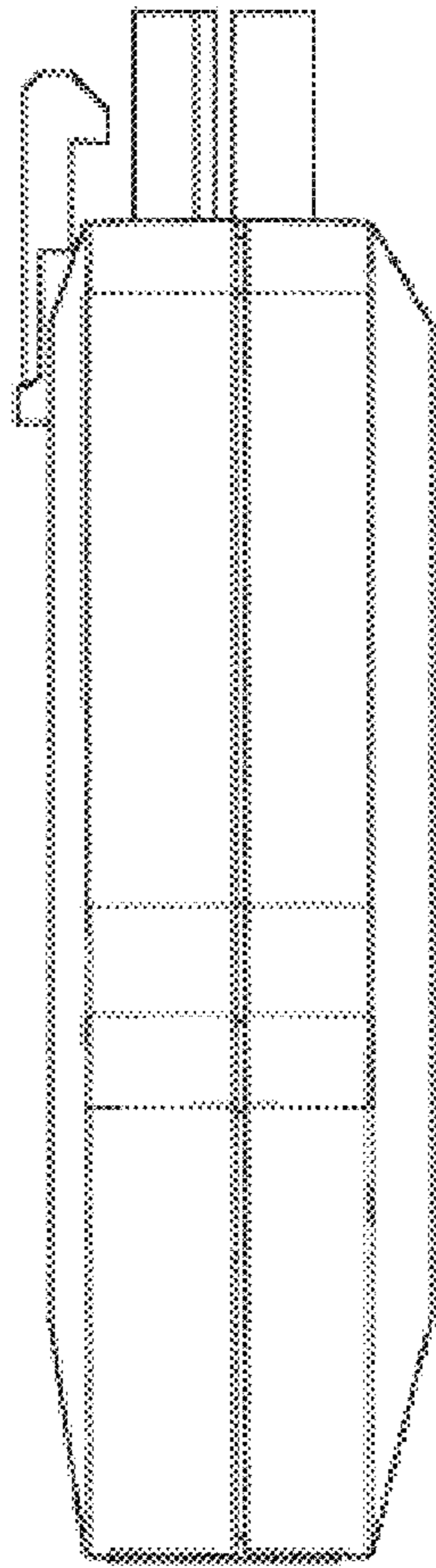


FIG. 4

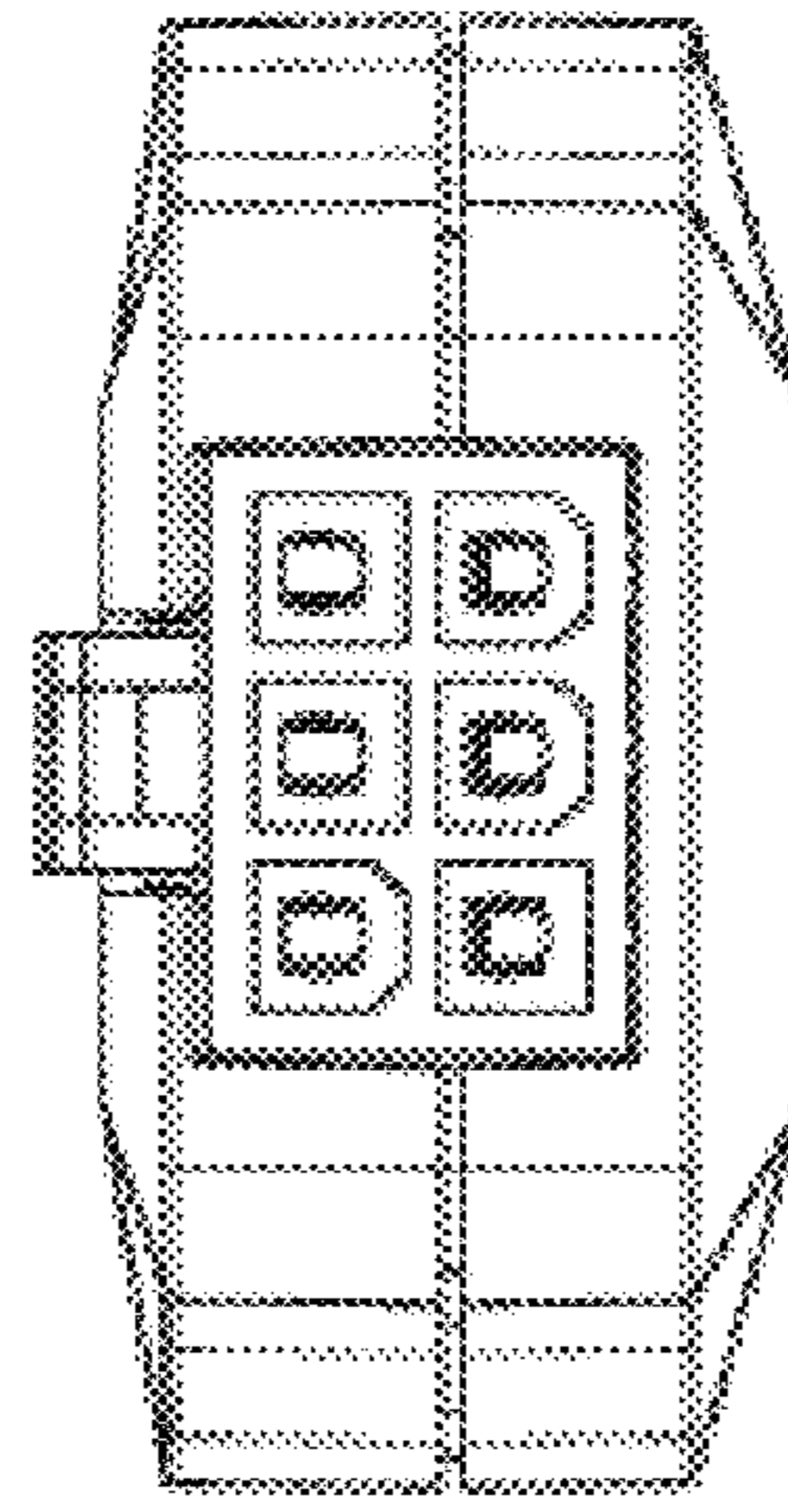


FIG. 6

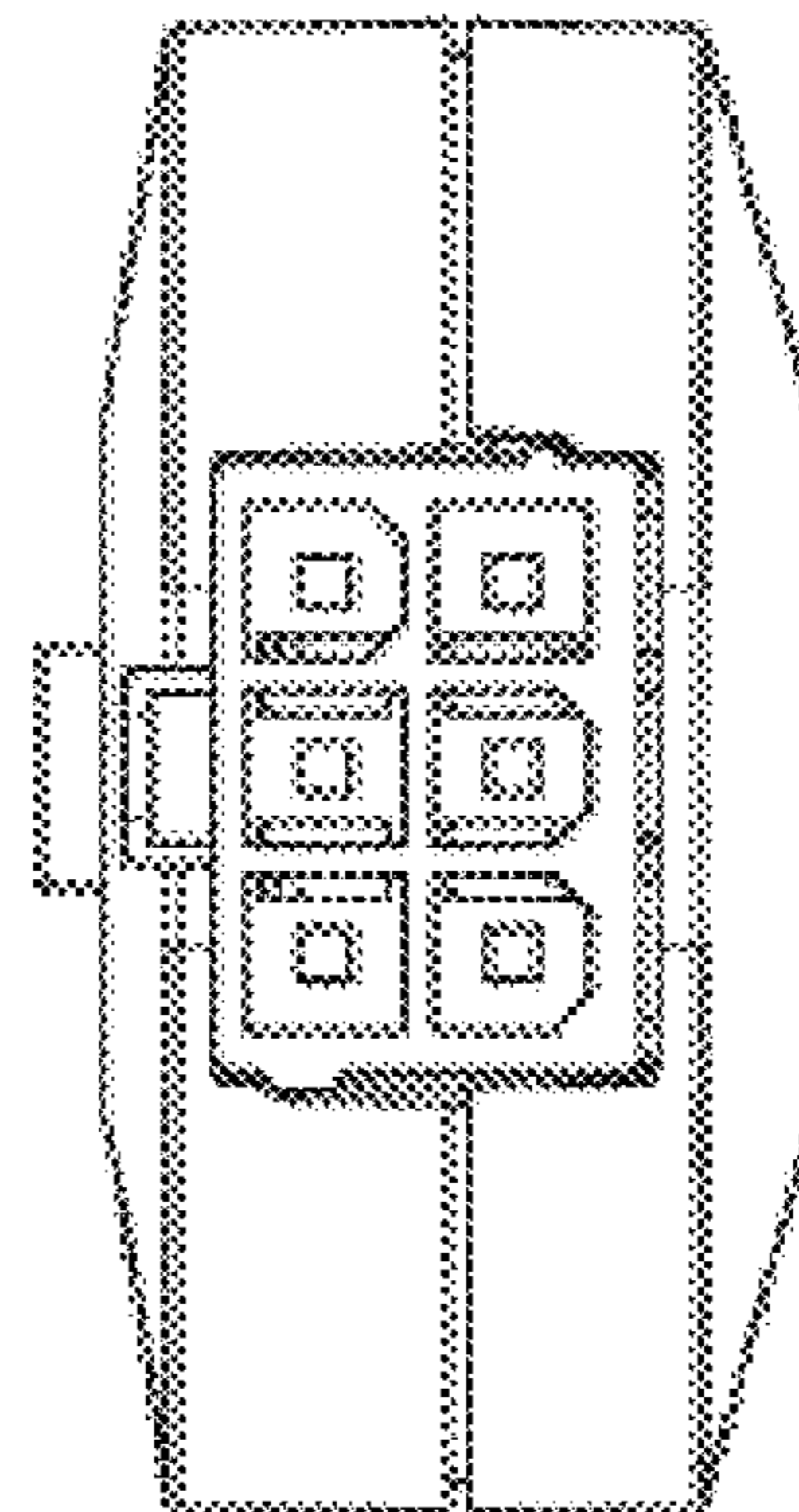


FIG. 5

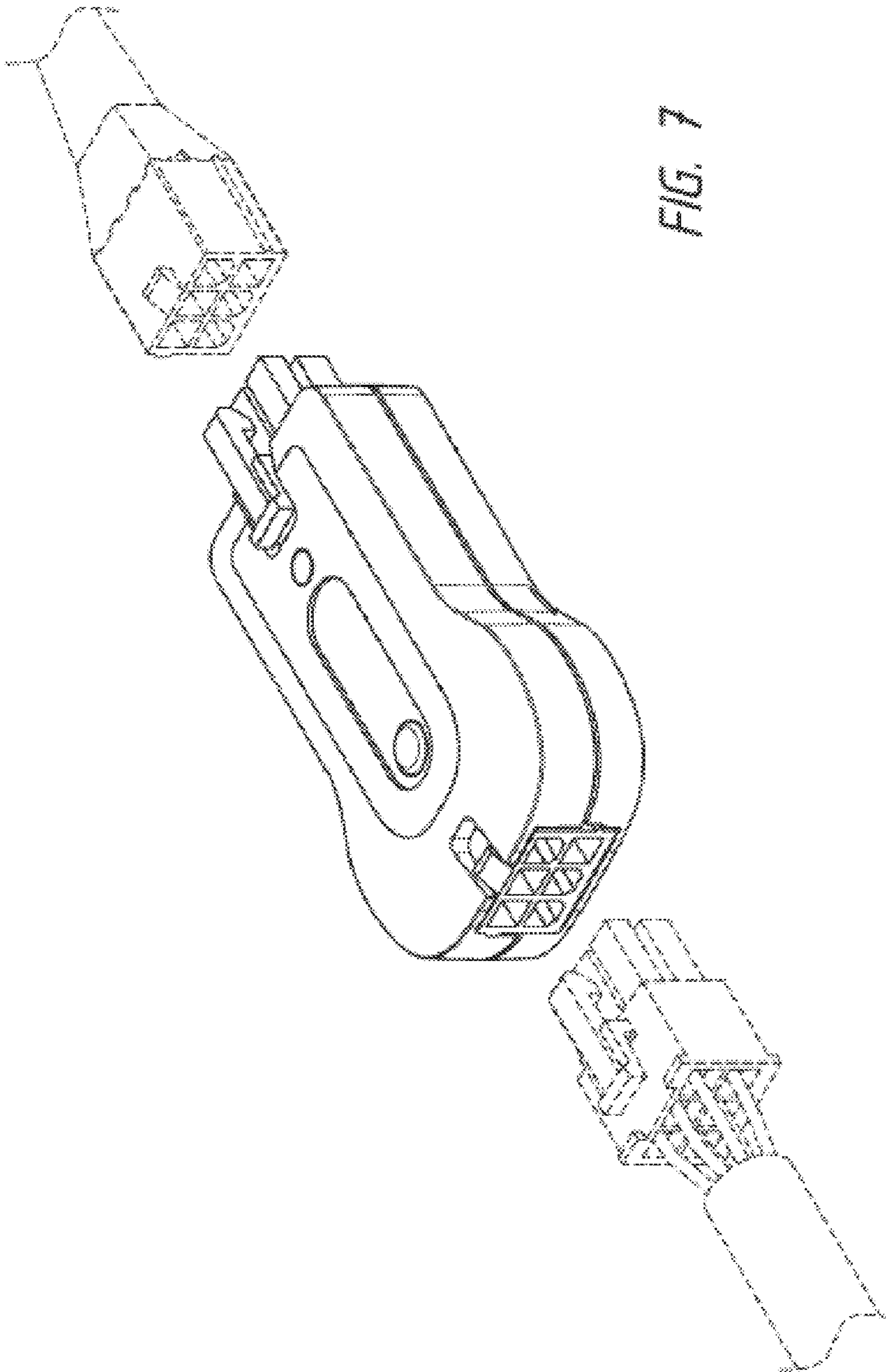


FIG. 7

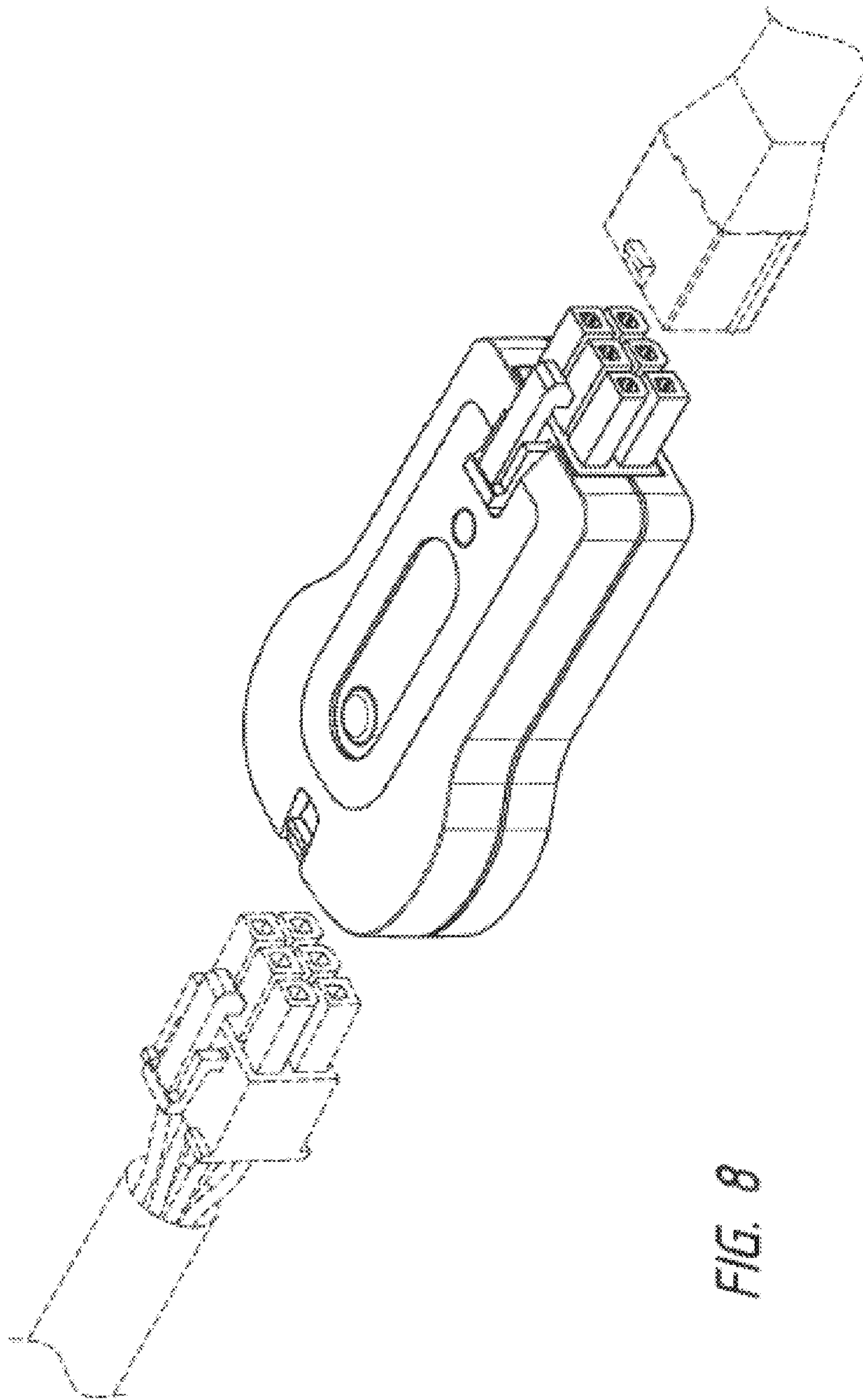


FIG. 8

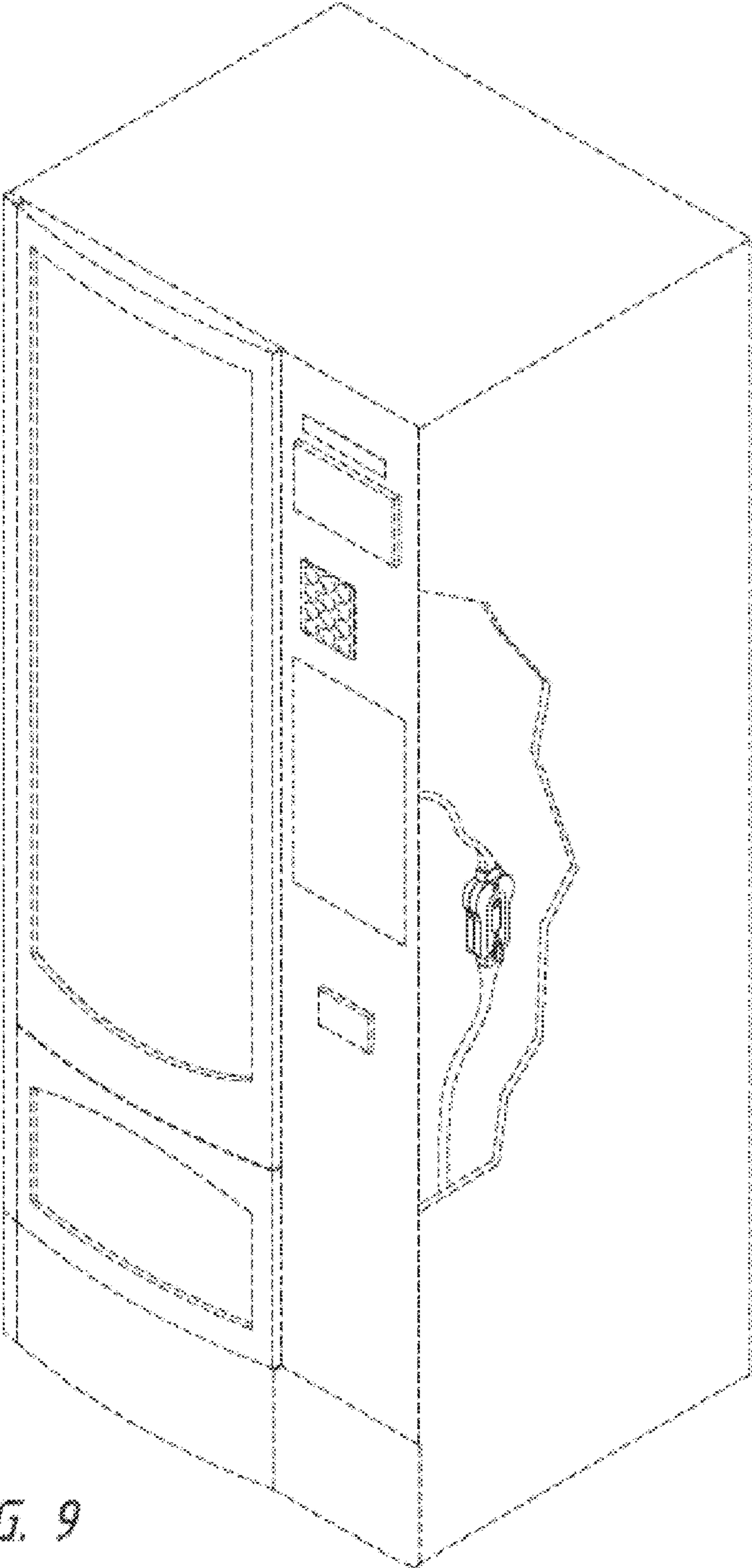


FIG. 9