



US00D782480S

(12) **United States Design Patent**  
**Nalbandian**

(10) **Patent No.:** **US D782,480 S**

(45) **Date of Patent:** **\*\* Mar. 28, 2017**

(54) **MOUSE**

(71) Applicant: **Hewlett-Packard Development Company, L.P.**, Houston, TX (US)

(72) Inventor: **Saro Nalbandian**, Houston, TX (US)

(73) Assignee: **Hewlett-Packard Development Company, L.P.**, Houston, TX (US)

(\*\*) Term: **15 Years**

(21) Appl. No.: **29/529,759**

(22) Filed: **Jun. 10, 2015**

(51) **LOC (10) Cl.** ..... **14-02**

(52) **U.S. Cl.**  
USPC ..... **D14/408**

(58) **Field of Classification Search**  
USPC ..... D14/402-411, 356, 388, 389, 383-385, D14/417, 426; 345/156-167; 463/36-38; 358/471, 473; 273/148 B  
CPC ..... G06F 3/03543; G06F 2203/0333; G06F 3/039; G06F 3/038; G06F 2203/0384  
See application file for complete search history.

(56) **References Cited**

**U.S. PATENT DOCUMENTS**

D560,661 S	1/2008	Chatterjee et al.
D560,662 S	1/2008	Chatterjee et al.
D560,663 S	1/2008	Chatterjee
D580,938 S	11/2008	Simonian et al.
D581,416 S	11/2008	Simonian et al.

(Continued)

**FOREIGN PATENT DOCUMENTS**

CN	301254097 S	6/2010
CN	301938683 S	5/2012

(Continued)

**OTHER PUBLICATIONS**

Gumber, P. "Logitech Introduces Ultrathin Touch Mouse," Aug. 29, 2013, pp. 1-6, iGyaan Networks.

(Continued)

*Primary Examiner* — Austin Murphy

(74) *Attorney, Agent, or Firm* — HP Inc. Patent Department

(57) **CLAIM**

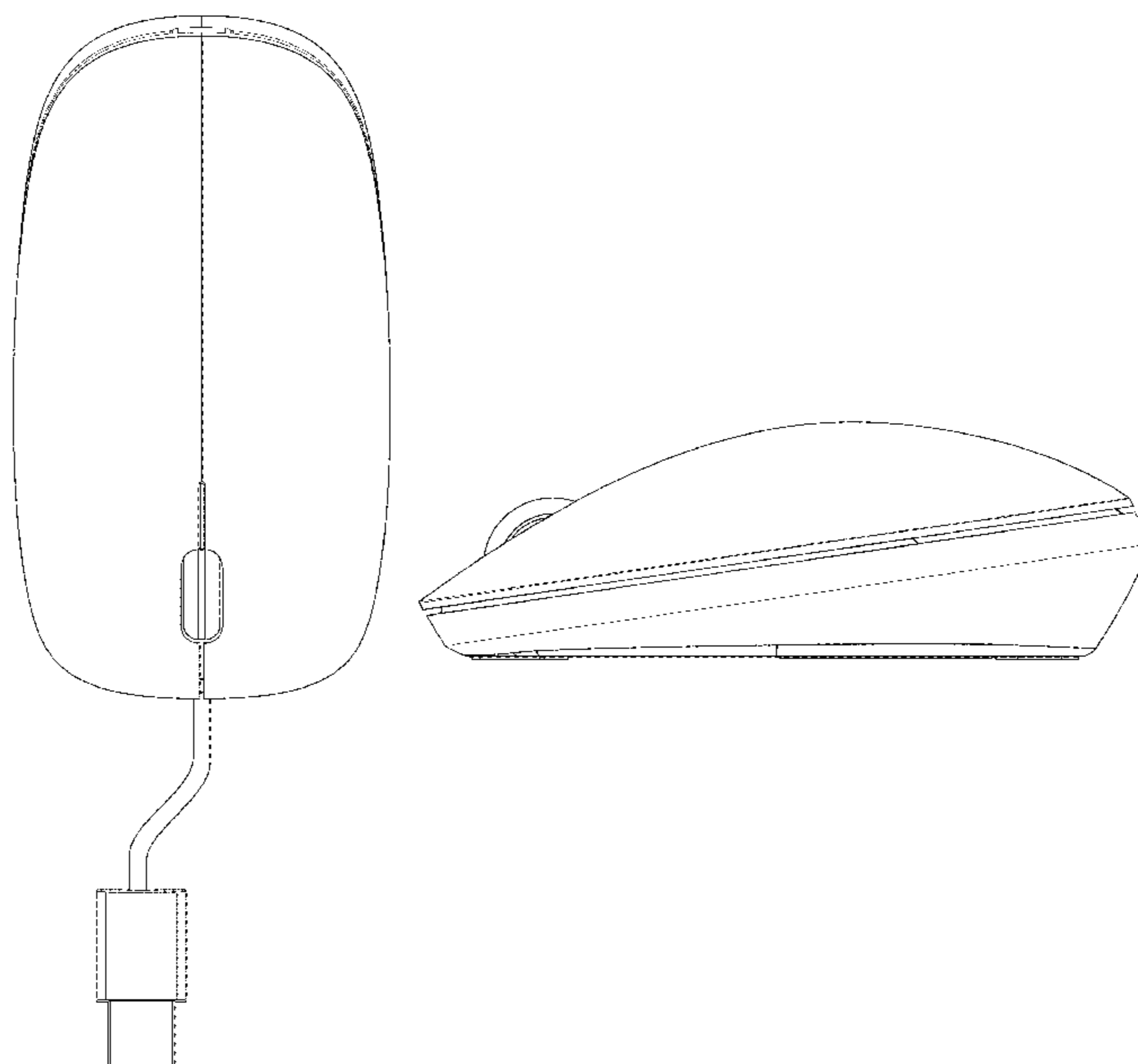
I claim the ornamental design for a mouse, as shown and described.

**DESCRIPTION**

FIG. 1 is a top, front, right perspective view of the claimed design according to a first embodiment; FIG. 2 is a front elevation view thereof; FIG. 3 is a rear elevation view thereof; FIG. 4 is a top plan view thereof; FIG. 5 is a bottom plan view thereof; FIG. 6 is a right side elevation view thereof; FIG. 7 is a left side elevation view thereof; FIG. 8 is a top, front, right perspective view of the claimed design according to a second embodiment; FIG. 9 is a front elevation view thereof; FIG. 10 is a rear elevation view thereof; FIG. 11 is a top plan view thereof; FIG. 12 is a bottom plan view thereof; FIG. 13 is a left side elevation view thereof; and, FIG. 14 is a right side elevation view thereof.

The ornamental design which is claimed is shown in solid lines in the drawings. The broken lines formed by dashes show unclaimed subject matter and form no part of the claimed design. The use of broken lines is used to designate that no specific length of the respective feature is being claimed.

**1 Claim, 12 Drawing Sheets**



(56)

**References Cited**

U.S. PATENT DOCUMENTS

D591,747	S	*	5/2009	Hu	.....	D14/402
D591,748	S	*	5/2009	Hu	.....	D14/402
D593,098	S		5/2009	Kujawski et al.		
D612,382	S		3/2010	Kujawski et al.		
D630,214	S	*	1/2011	Kim	.....	D14/408
D630,217	S	*	1/2011	Ng	.....	D14/408
D630,218	S	*	1/2011	Kujawski	.....	D14/408
D651,604	S	*	1/2012	Fischer	.....	D14/408
D656,498	S	*	3/2012	Kujawski	.....	D14/402
D657,359	S	*	4/2012	Kujawski	.....	D14/402
D657,360	S	*	4/2012	Kujawski	.....	D14/402
D658,650	S	*	5/2012	Kujawski	.....	D14/402
D667,009	S	*	9/2012	Kujawski	.....	D14/408
D676,849	S	*	2/2013	Kujawski	.....	D14/408
D688,243	S	*	8/2013	Widiaman	.....	D14/408
D688,244	S	*	8/2013	Widiaman	.....	D14/408
D689,494	S	*	9/2013	Widiaman	.....	D14/408

FOREIGN PATENT DOCUMENTS

CN	302455821	S	6/2013
TW	D146212	S	4/2012
TW	D150229	S	11/2012
TW	D113778	S	6/2013

OTHER PUBLICATIONS

Purcher, Jack, "LG Wins a Design Patent for a Nice Smartphone Dock While HP Wins Two Curvaceous Mice Designs," Aug. 22, 2013, pp. 1-4, 9.4 Design Patents.

Sierra Monica B., "Belkin Launches Three Cool Ergonomic Mice," Jul. 26, 2009, pp. 1-4, Ladies' Gadgets.

\* cited by examiner

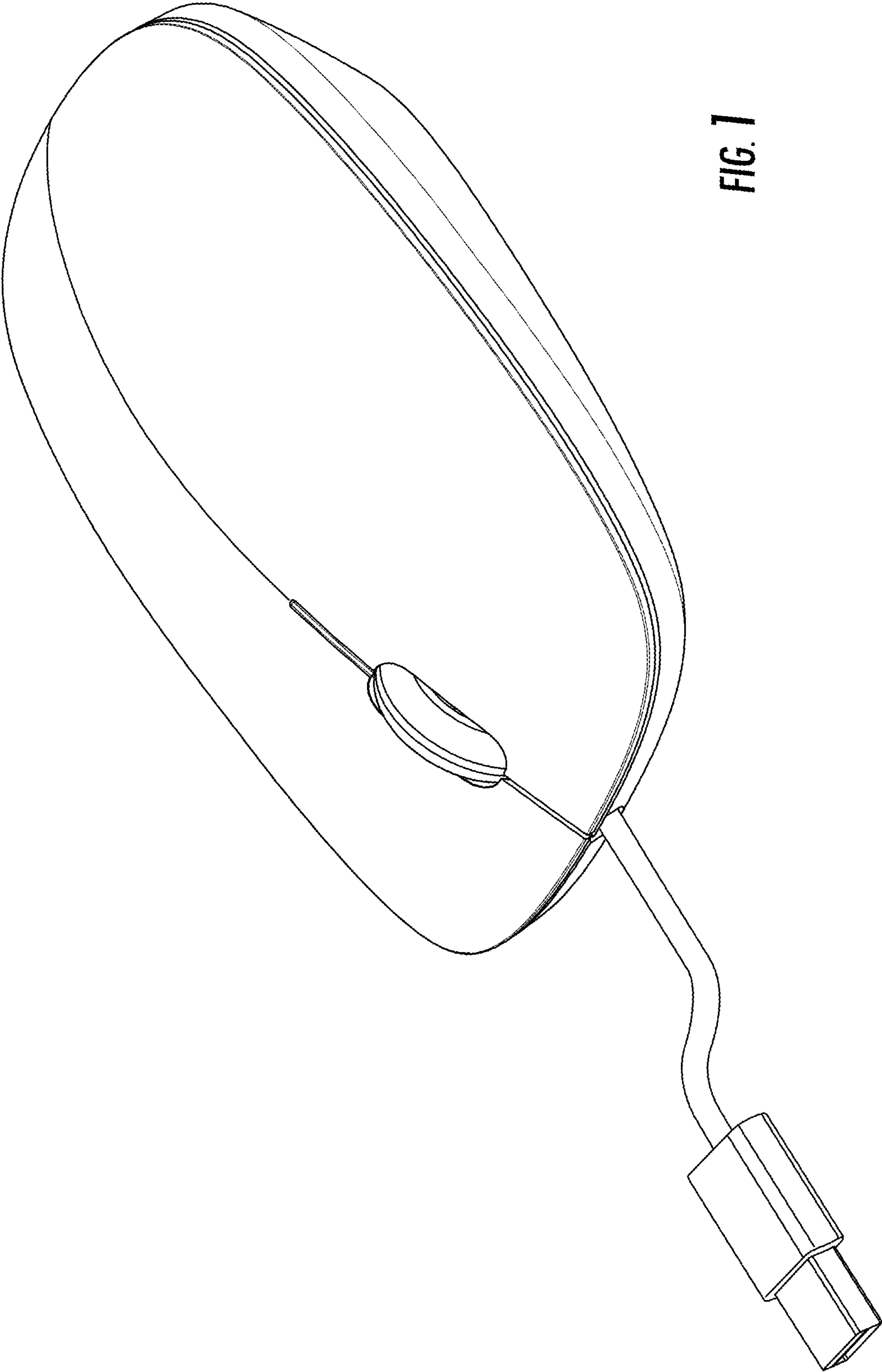
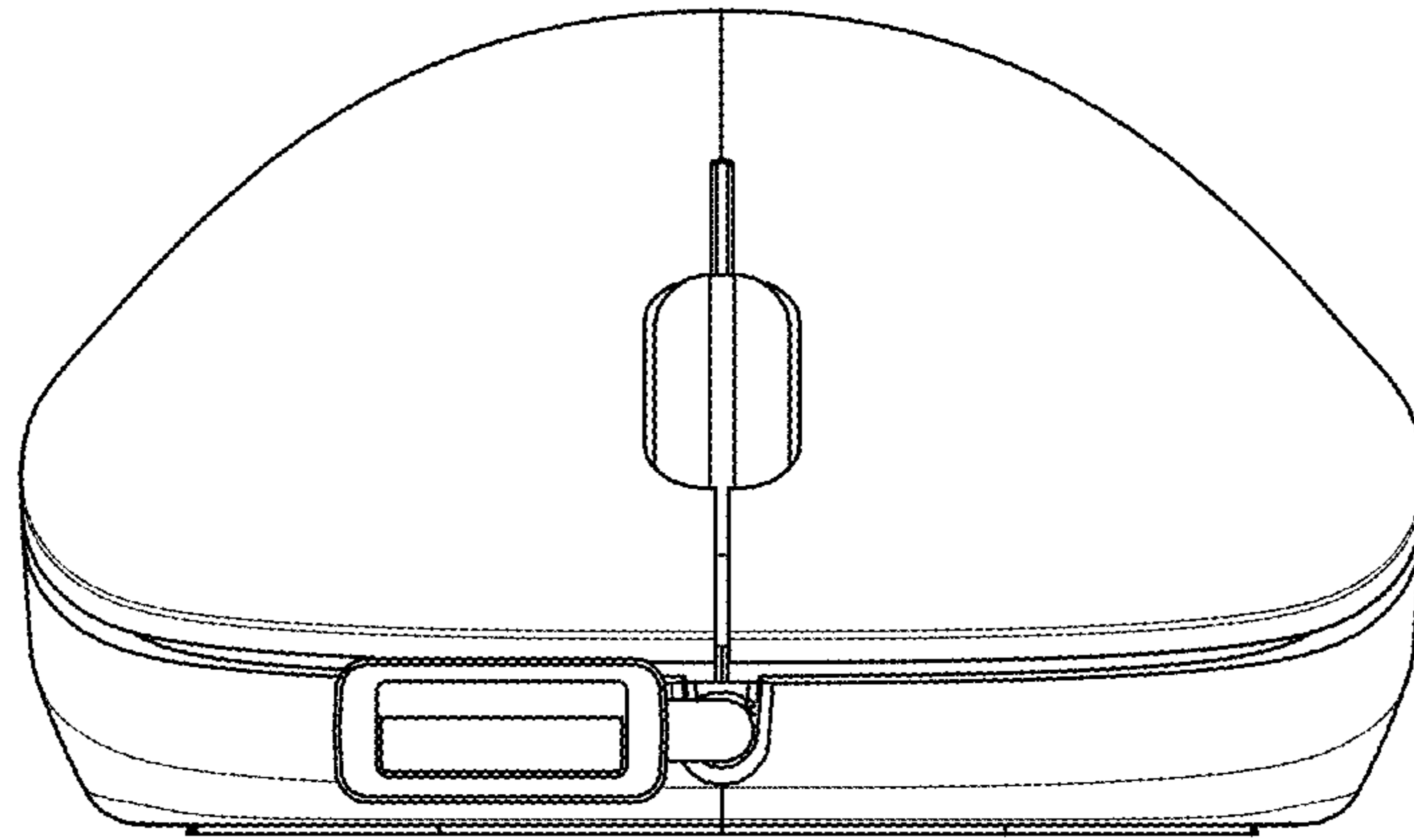
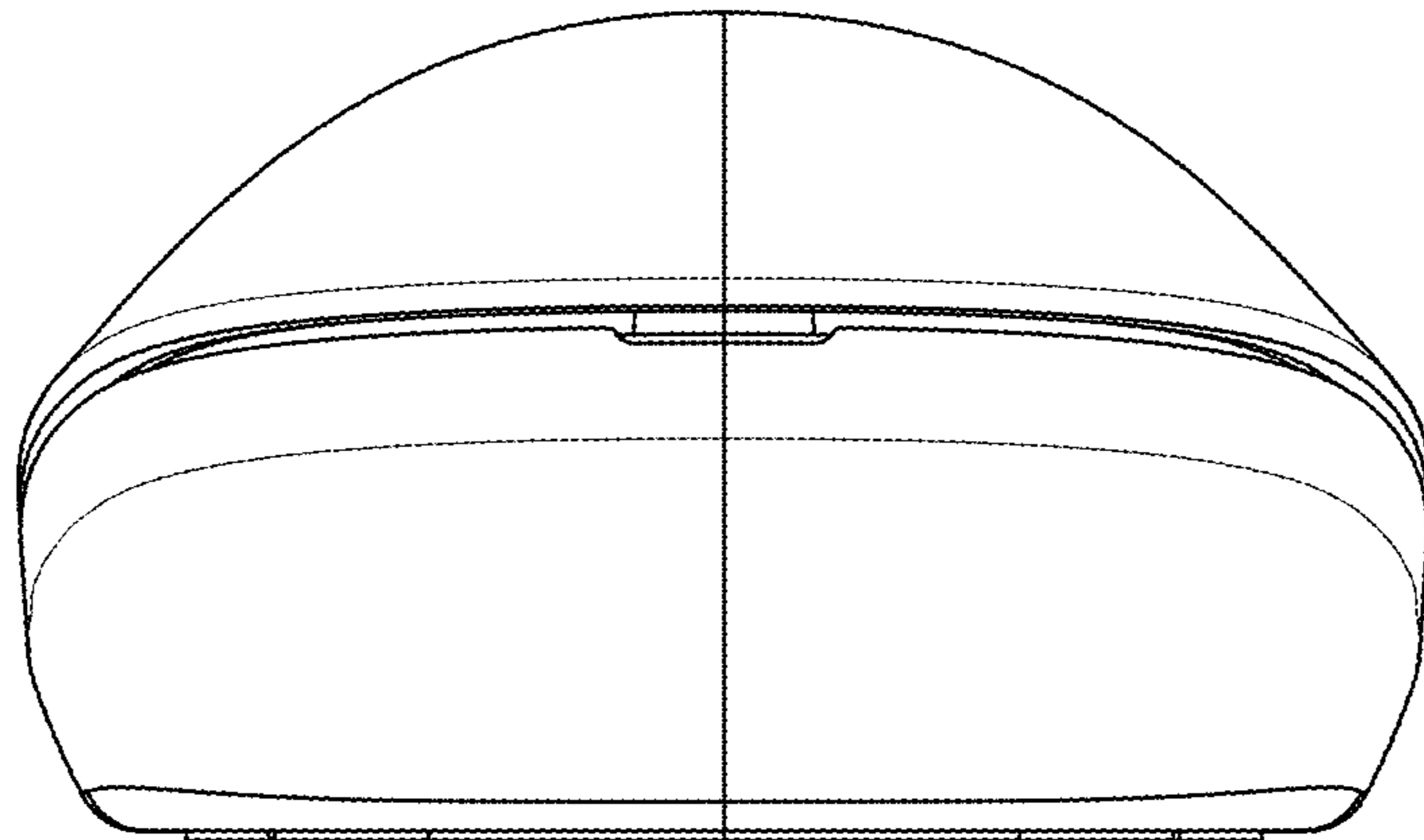


FIG. 1



**FIG. 2**



**FIG. 3**

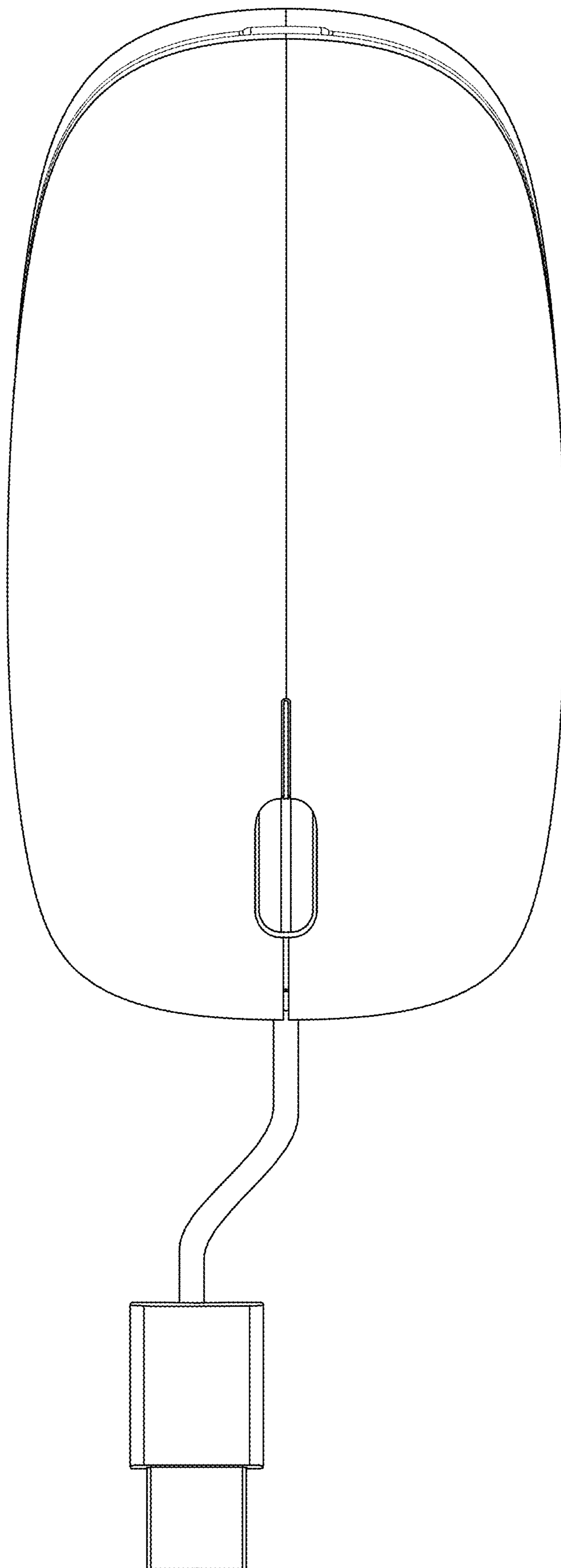


FIG. 4

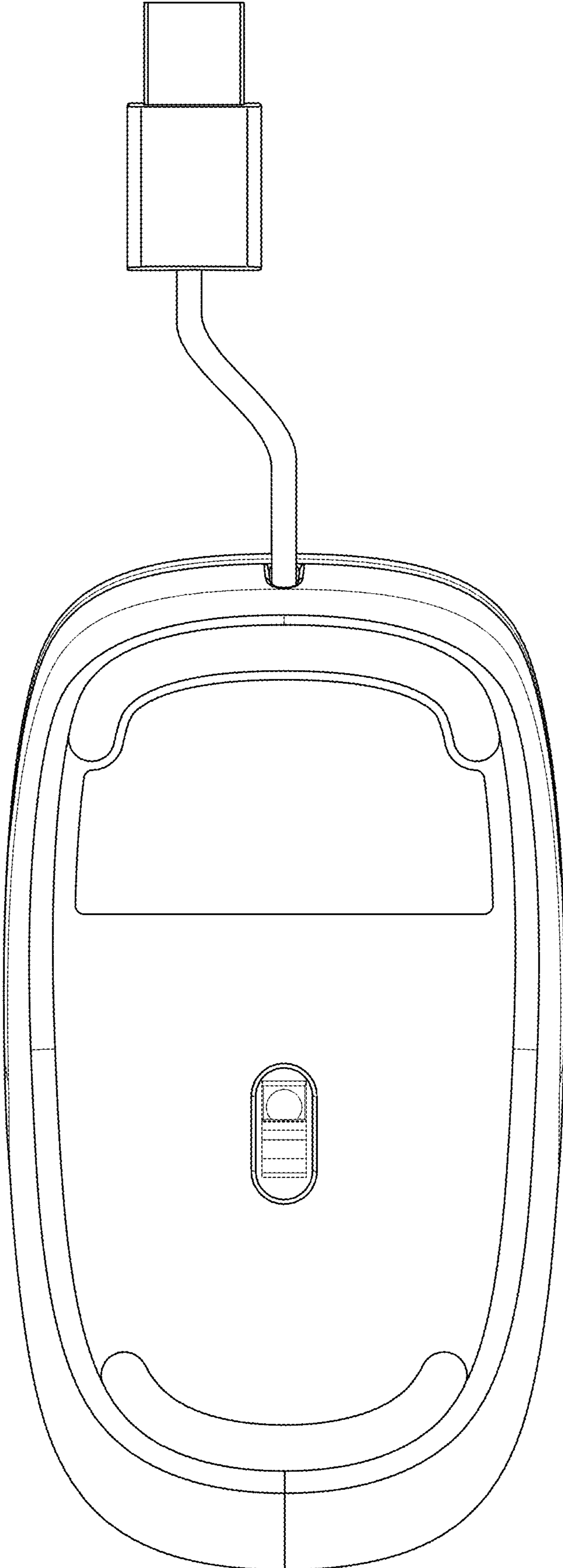


FIG. 5



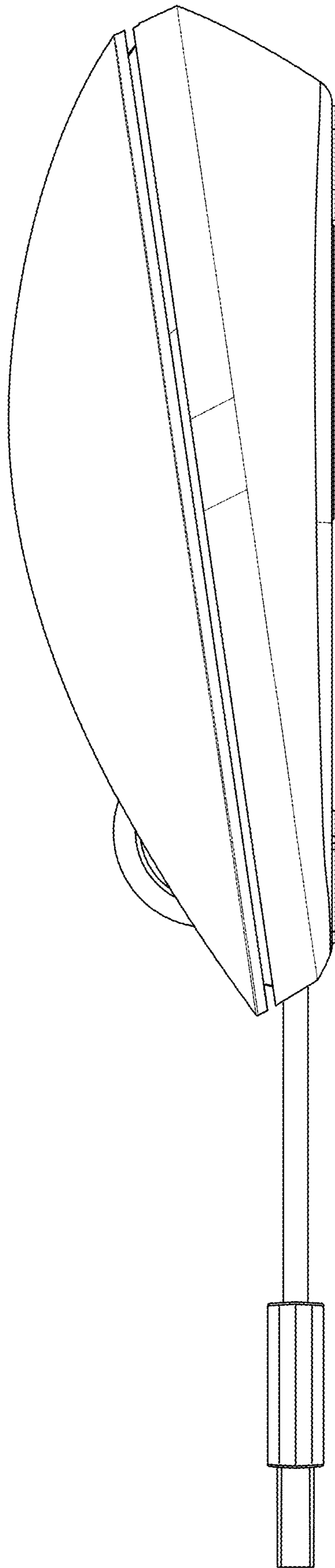
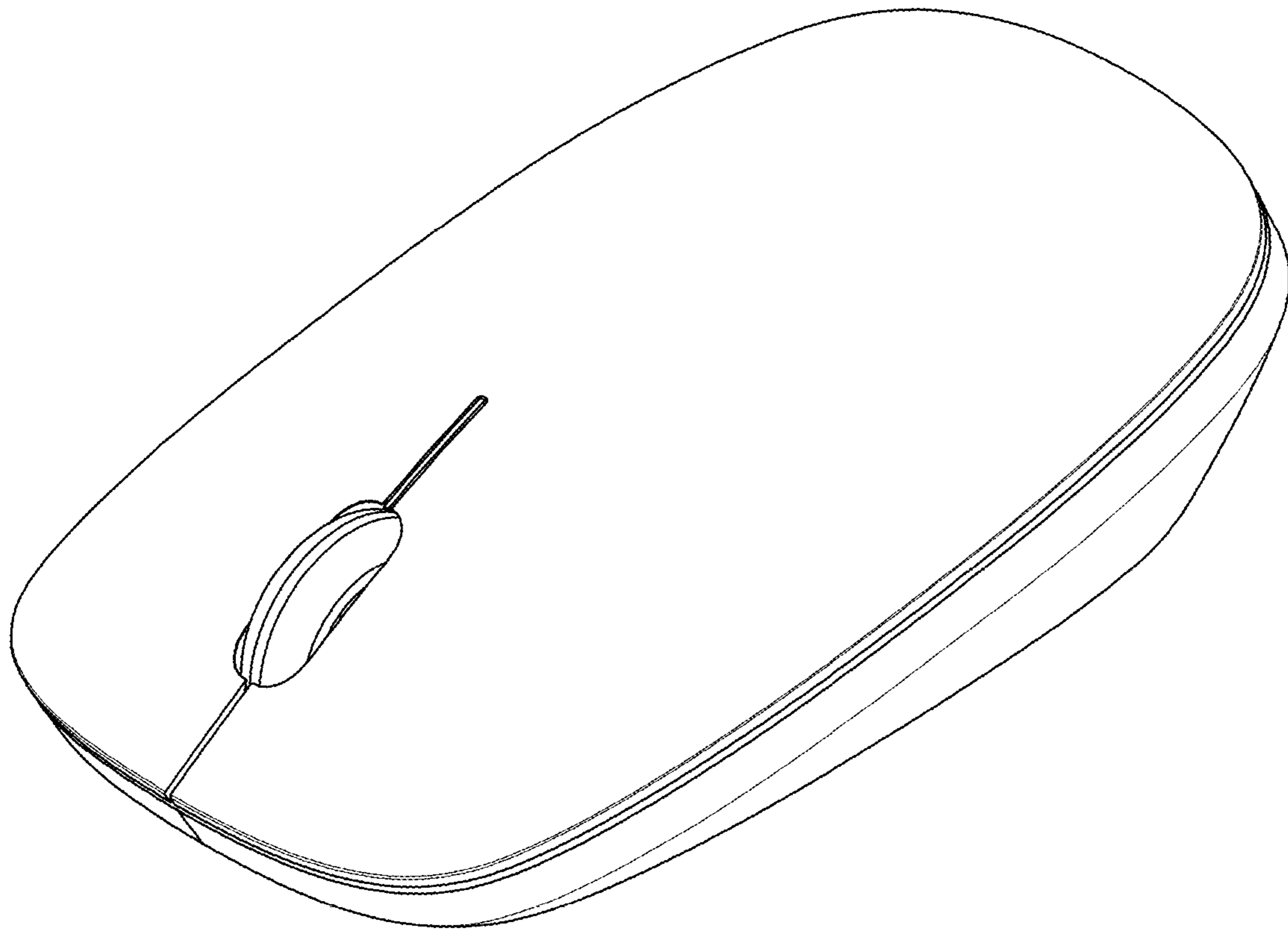


FIG. 6

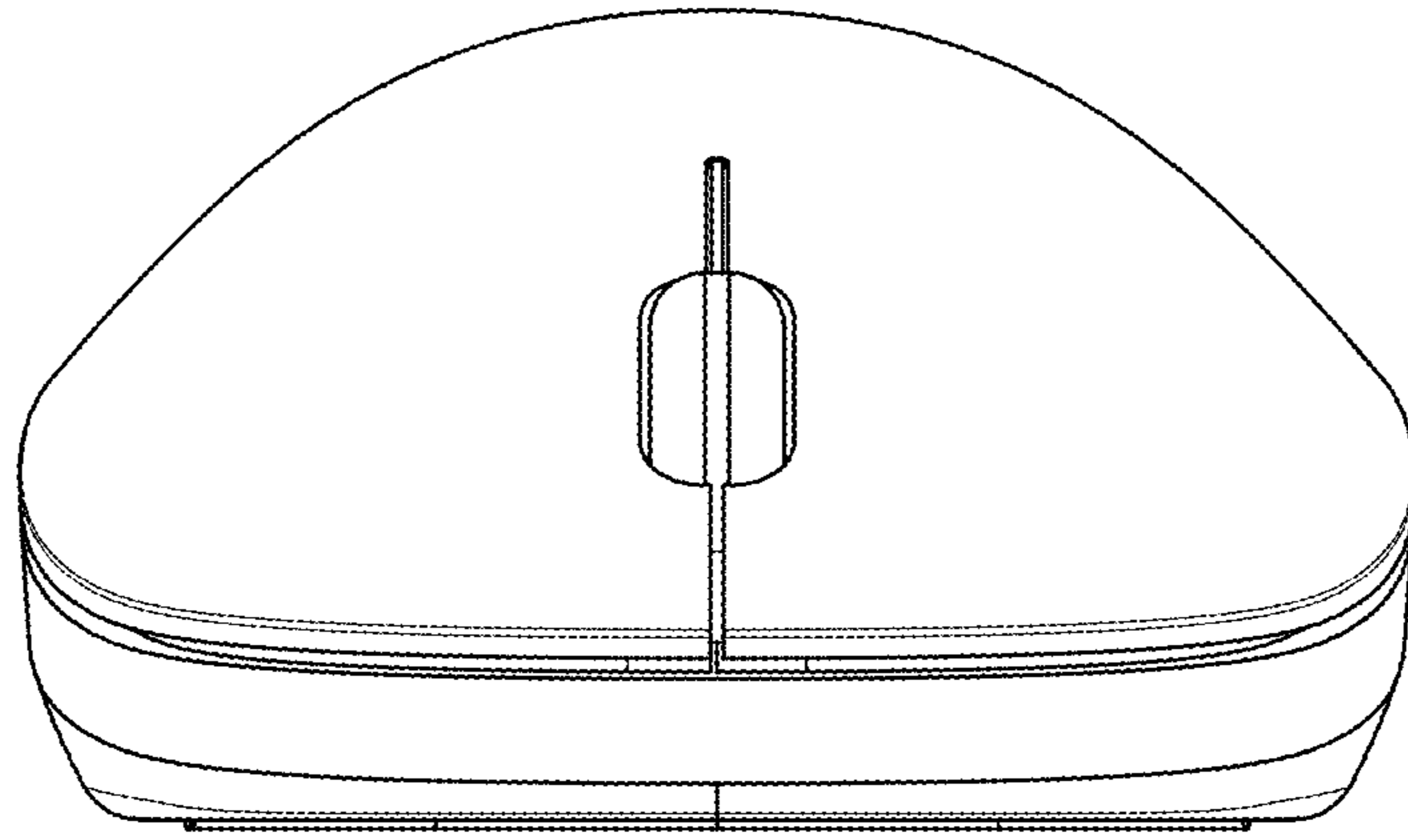


FIG. 7

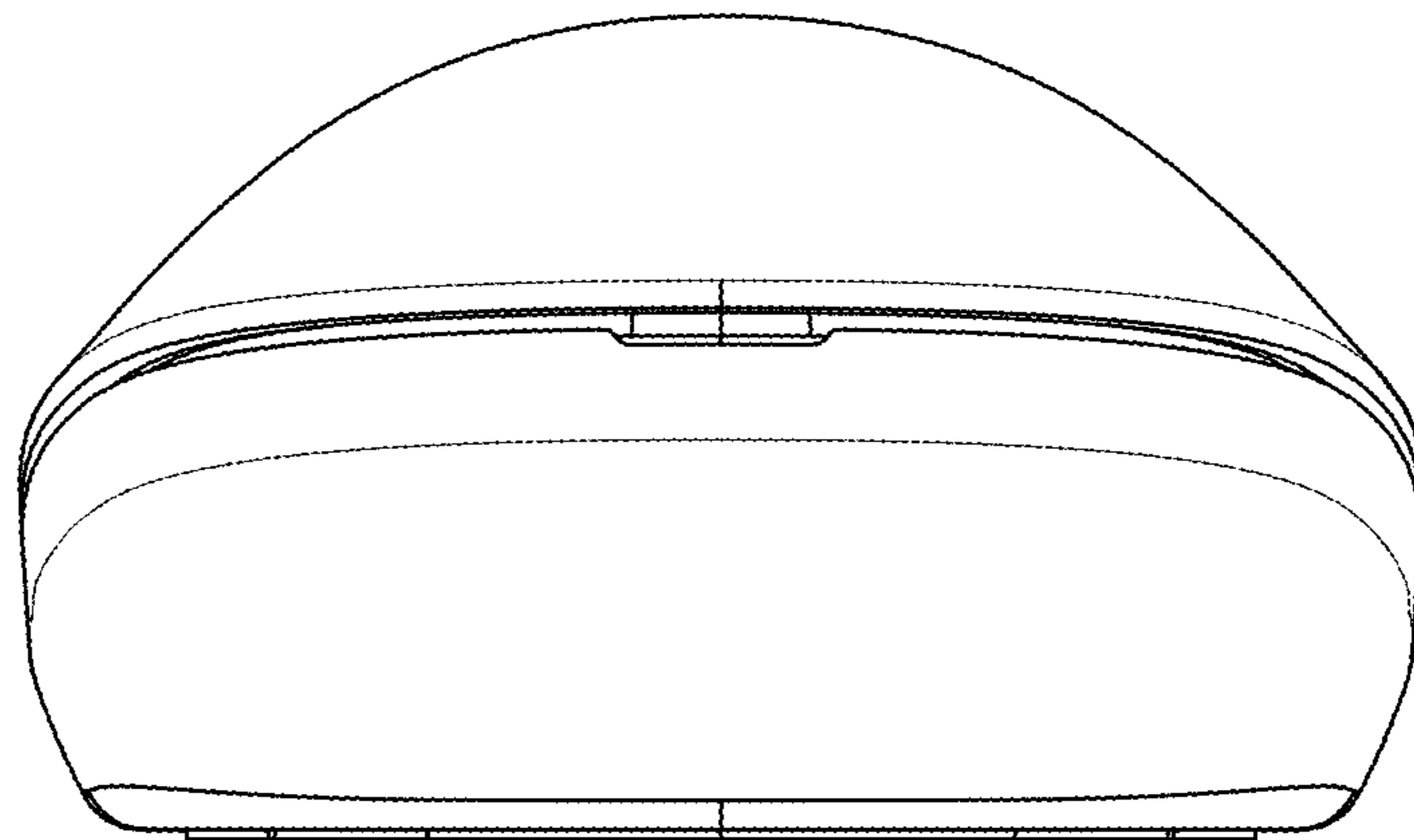




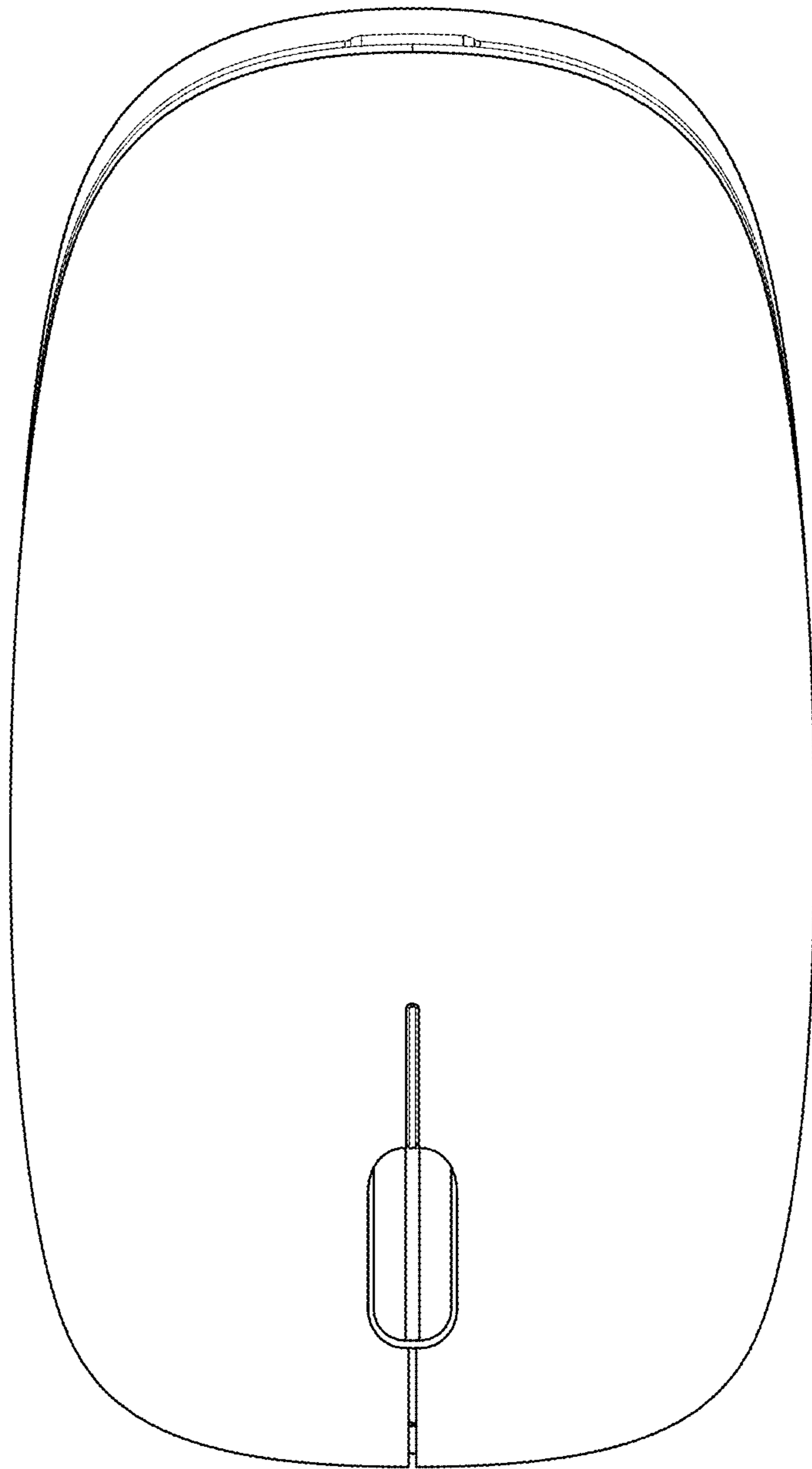
**FIG. 8**



**FIG. 9**



**FIG. 10**



**FIG. 11**

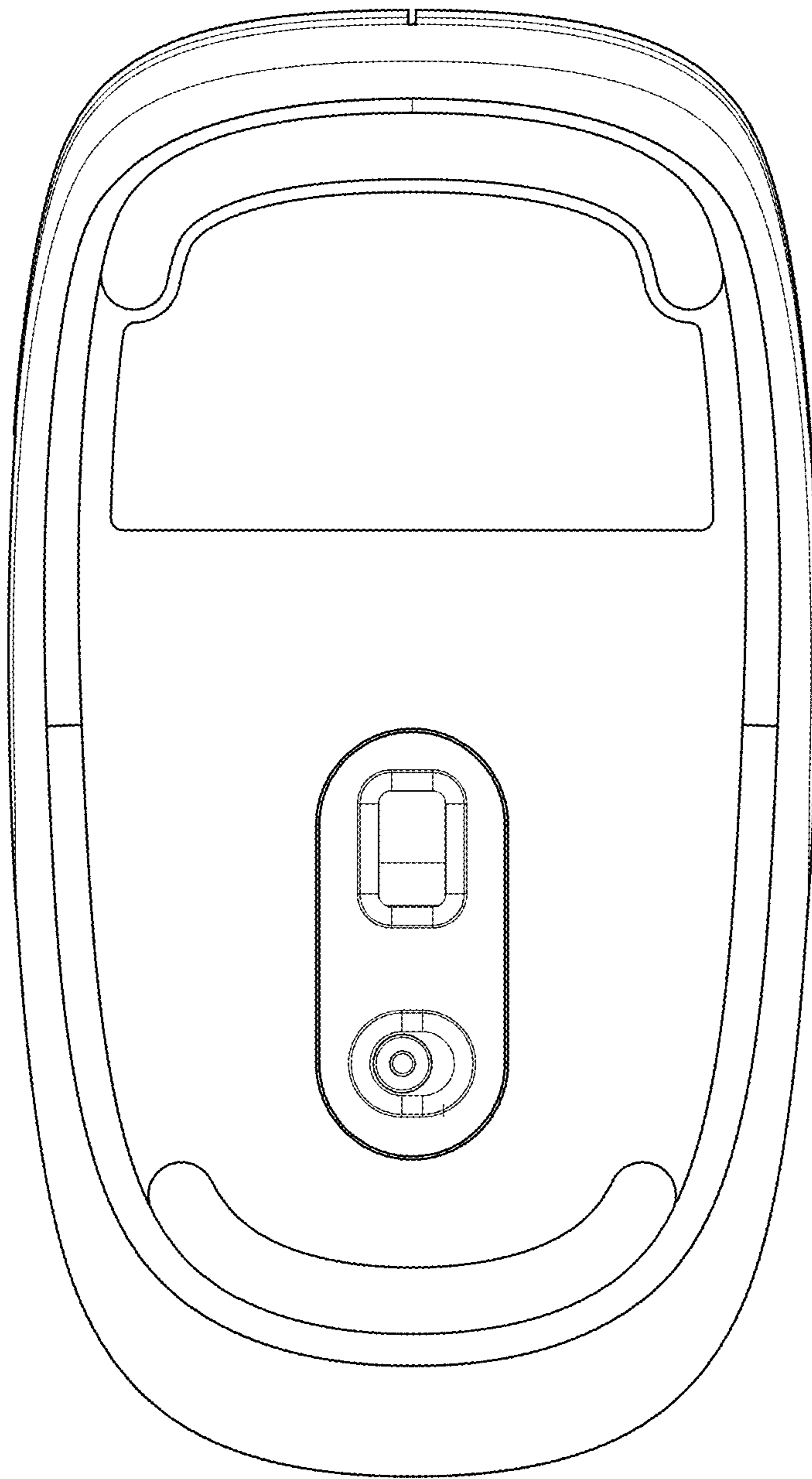


FIG. 12

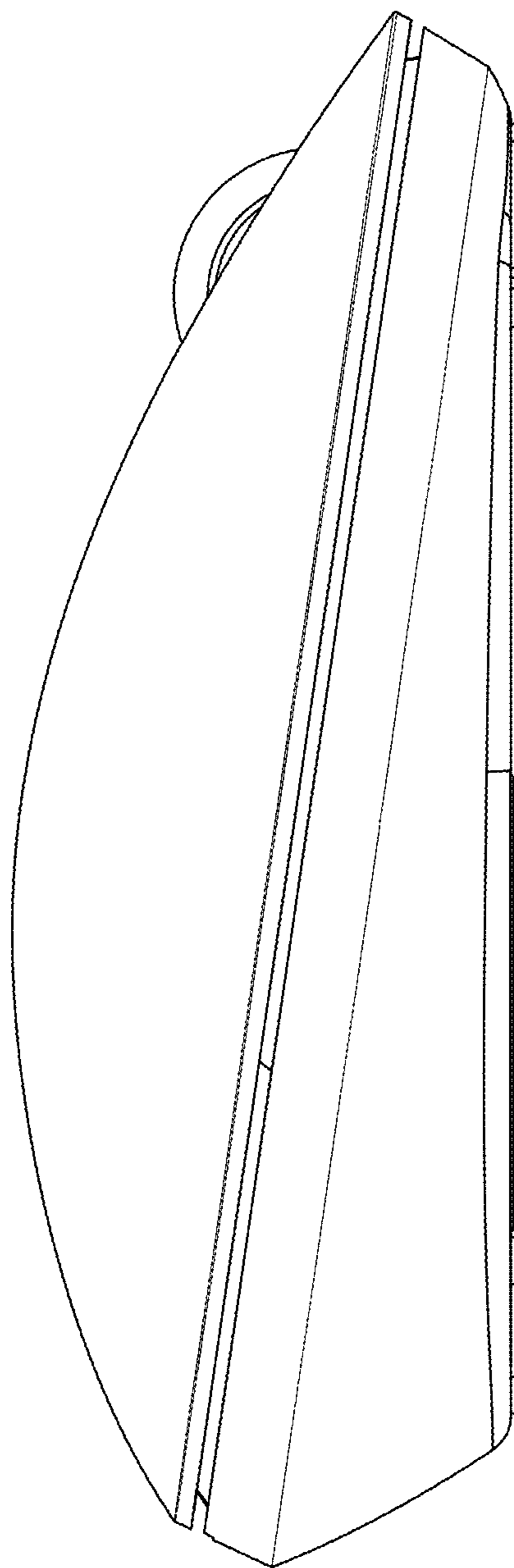


FIG. 13

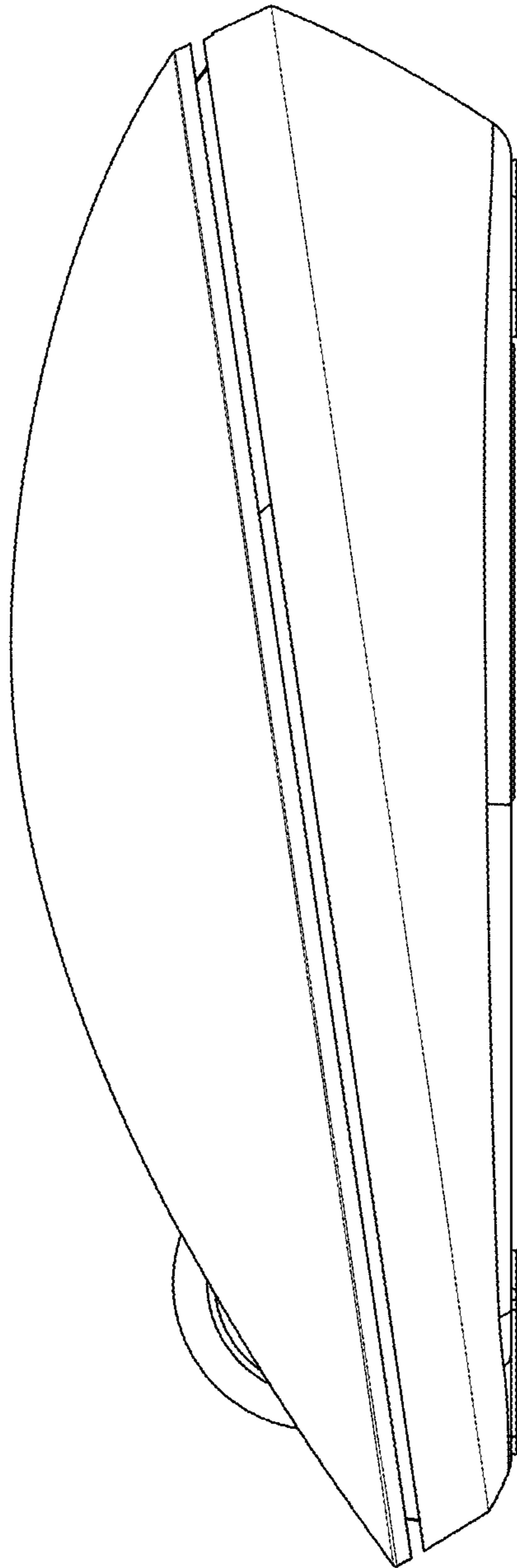


FIG. 14