



US00D782476S

(12) **United States Design Patent**  
**Yamazaki**

(10) **Patent No.:** **US D782,476 S**

(45) **Date of Patent:** **\*\* Mar. 28, 2017**

(54) **EXTENSION MACHINE FOR AN ELECTRONIC COMPUTER WITH RADIO RELAY FUNCTION**

(71) Applicant: **Toshiba Client Solutions CO., LTD.**, Tokyo (JP)

(72) Inventor: **Shusuke Yamazaki**, Hiratsuka (JP)

(73) Assignee: **TOSHIBA CLIENT SOLUTIONS CO., LTD.**, Tokyo (JP)

(\*\*) Term: **15 Years**

(21) Appl. No.: **29/543,922**

(22) Filed: **Oct. 29, 2015**

(30) **Foreign Application Priority Data**

Aug. 6, 2015 (JP) ..... 2015-017521

(51) **LOC (10) Cl.** ..... **14-03**

(52) **U.S. Cl.**  
USPC ..... **D14/358**; D14/240

(58) **Field of Classification Search**  
USPC .... D14/358, 240, 242, 357, 140-140.9, 155, D14/137, 139, 243, 433, 496, 188, 265, D14/168, 348, 356  
CPC ..... H04L 12/00; H03K 17/00; H04W 88/00; H04W 88/005; H04W 88/02; H04W 88/08; H04W 88/085; H04W 88/10; H04W 88/12; H04W 88/14; H04B 1/38  
See application file for complete search history.

(56) **References Cited**

**U.S. PATENT DOCUMENTS**

D522,531 S \* 6/2006 Solomon ..... D14/188  
D580,933 S \* 11/2008 Ju ..... D14/358

D596,177 S \* 7/2009 Steele ..... D14/358  
D599,754 S \* 9/2009 Xie ..... D14/125  
D626,951 S \* 11/2010 Ding ..... D14/240  
D653,662 S \* 2/2012 Park ..... D14/240  
D654,917 S \* 2/2012 Chaturvedi ..... D14/358  
D661,698 S \* 6/2012 Chaturvedi ..... D14/240  
D684,957 S \* 6/2013 Smith ..... D14/242  
D693,798 S \* 11/2013 Chuang ..... D14/240  
D718,288 S \* 11/2014 Wang ..... D14/240  
D718,752 S \* 12/2014 Wang ..... D14/240  
D735,179 S \* 7/2015 Yang ..... D14/240

**FOREIGN PATENT DOCUMENTS**

CN D302842248 6/2014  
CN D302917131 8/2014  
CN D303032604 12/2014

(Continued)

*Primary Examiner* — Bridget L Eland

*Assistant Examiner* — Lauren McVey

(74) *Attorney, Agent, or Firm* — Banner & Witcoff, Ltd.

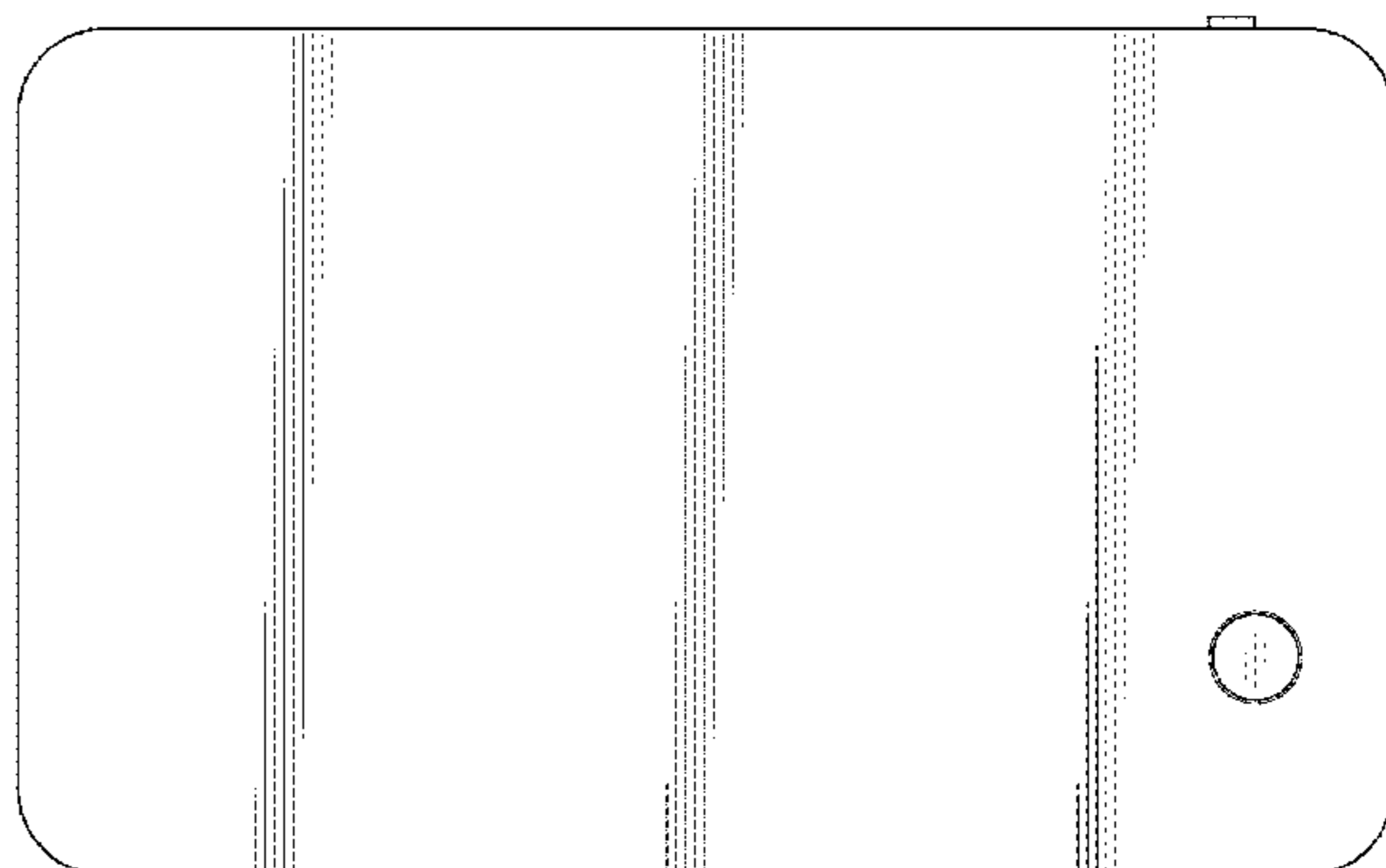
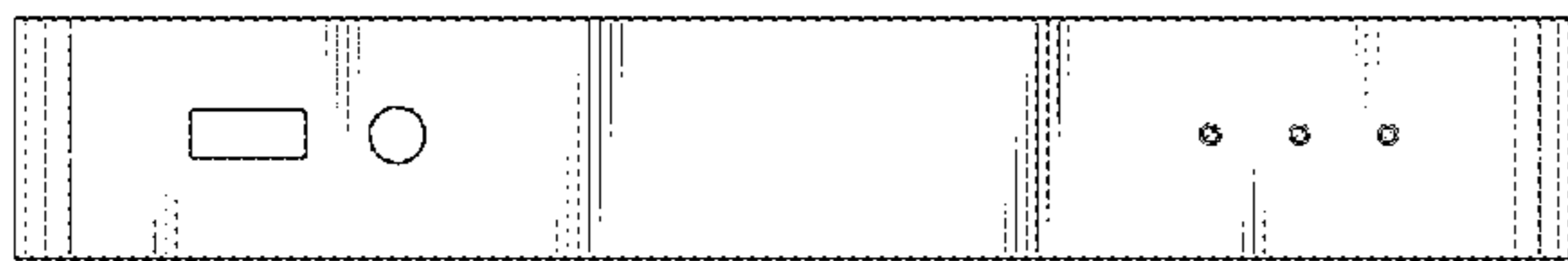
(57) **CLAIM**

The ornamental design for an extension machine for an electronic computer with radio relay function, as shown and described.

**DESCRIPTION**

FIG. 1 is a front and top perspective view of an extension machine for an electronic computer with radio relay function showing my new design,  
FIG. 2 is a rear and bottom perspective view thereof,  
FIG. 3 is a front elevational view thereof,  
FIG. 4 is a left side elevational view thereof,  
FIG. 5 is a right side elevational view thereof,  
FIG. 6 is a top plan view thereof,  
FIG. 7 is a bottom plan view thereof; and,  
FIG. 8 is a rear elevational view thereof.

**1 Claim, 4 Drawing Sheets**



(56)

**References Cited**

FOREIGN PATENT DOCUMENTS

JP	D1413825	*	5/2011
JP	D1435620	*	3/2012
JP	D1456415		11/2012
JP	D1477737		8/2013
JP	D1483886	*	11/2013
JP	D1484279		11/2013
JP	D1489182		2/2014
JP	D1506205		9/2014
JP	D1489182		2/2015

\* cited by examiner

Fig.1

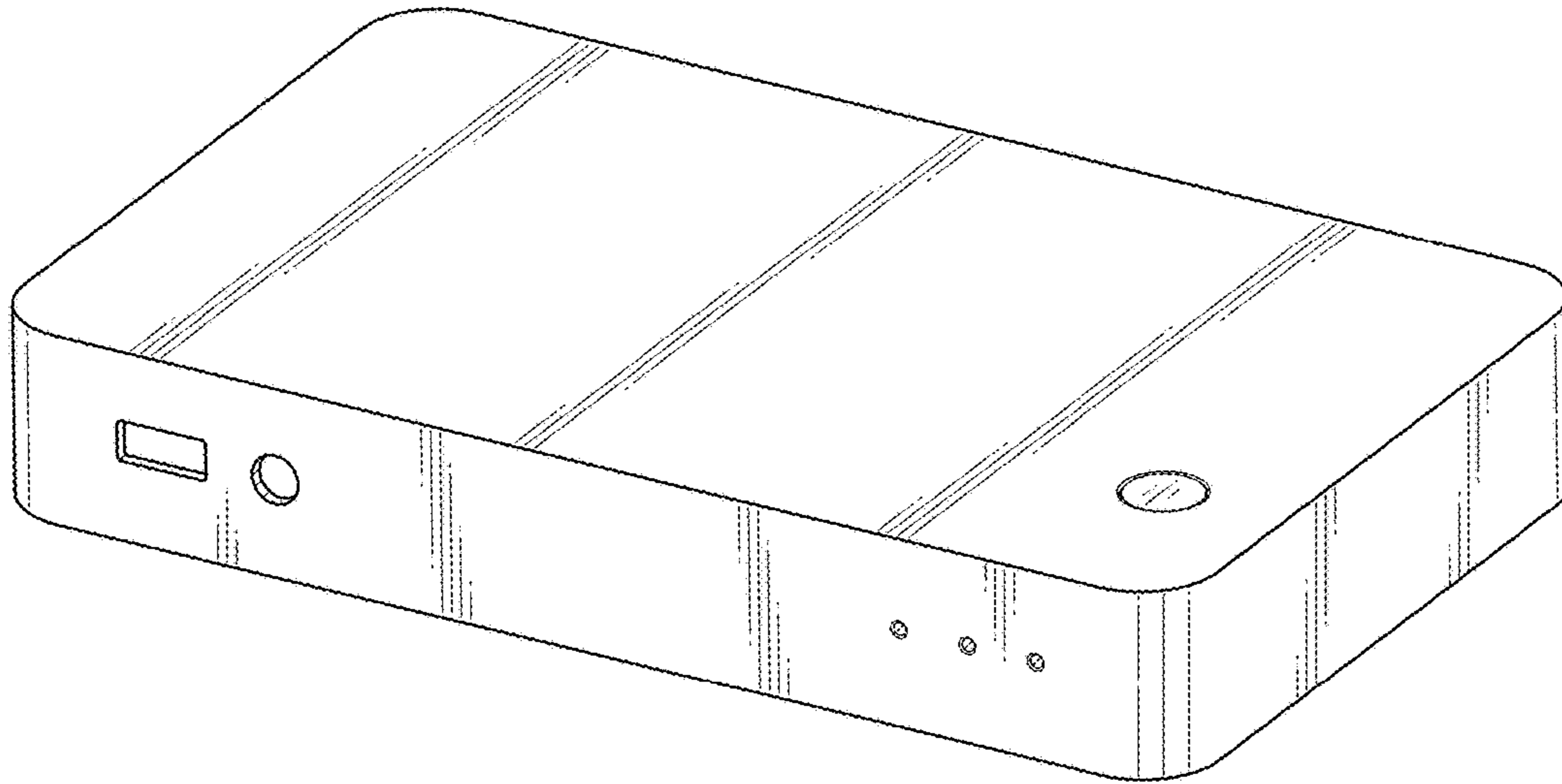


Fig.2

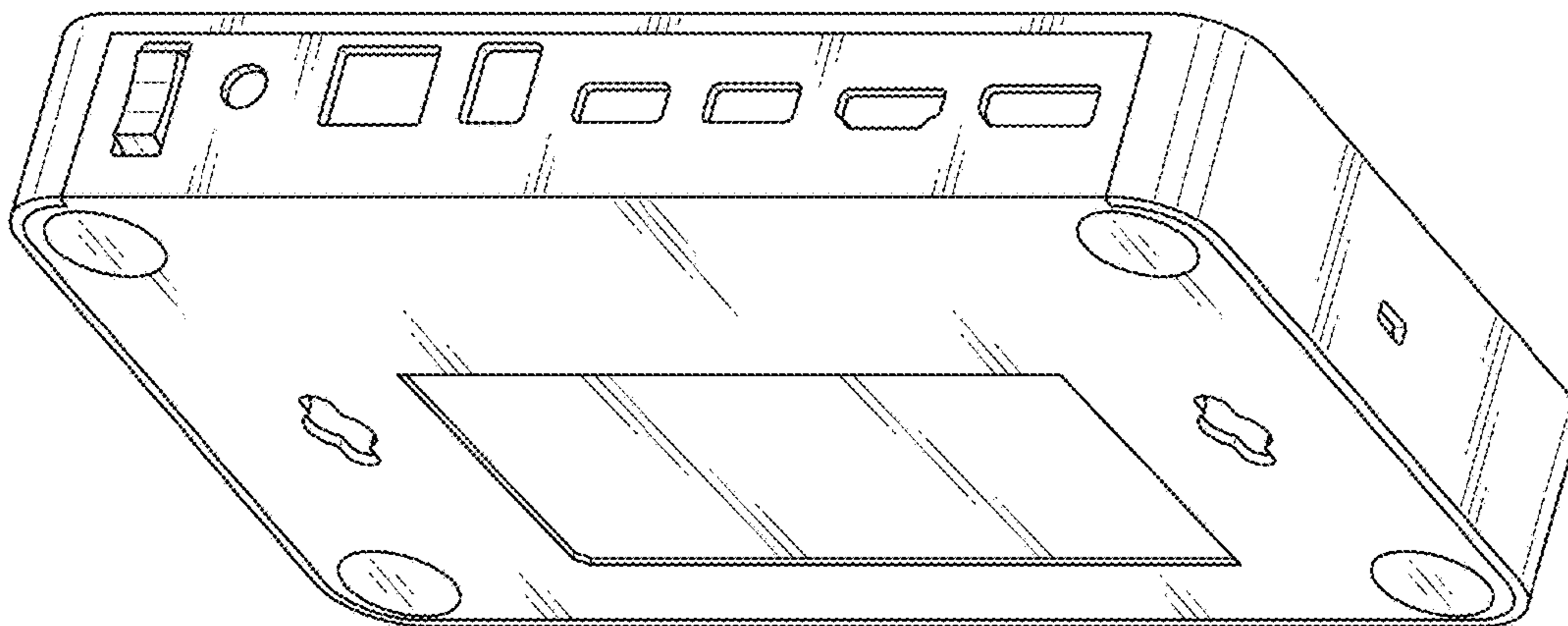


Fig.3



Fig.4

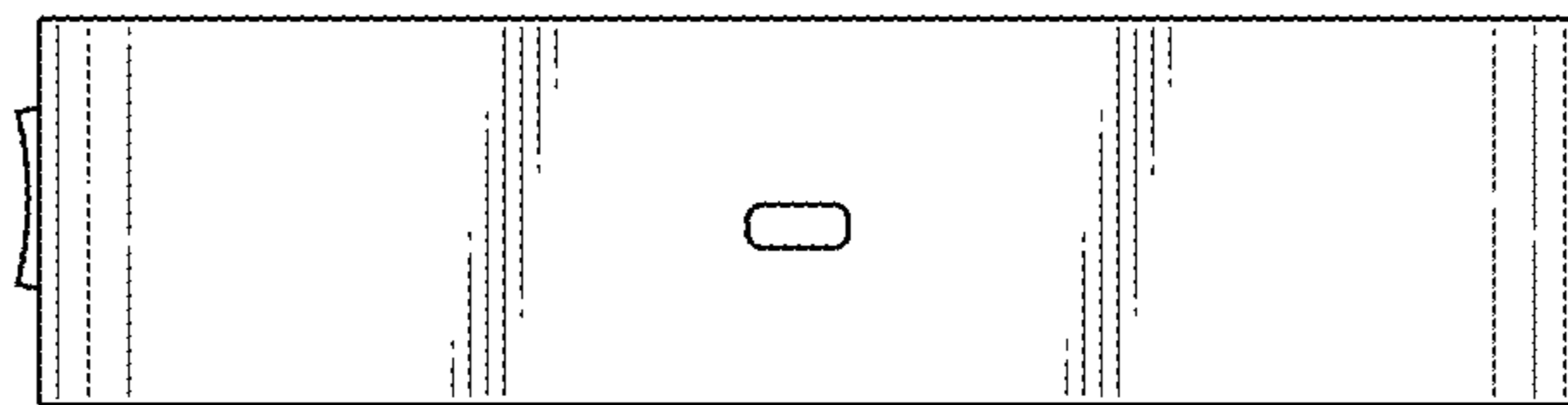


Fig.5

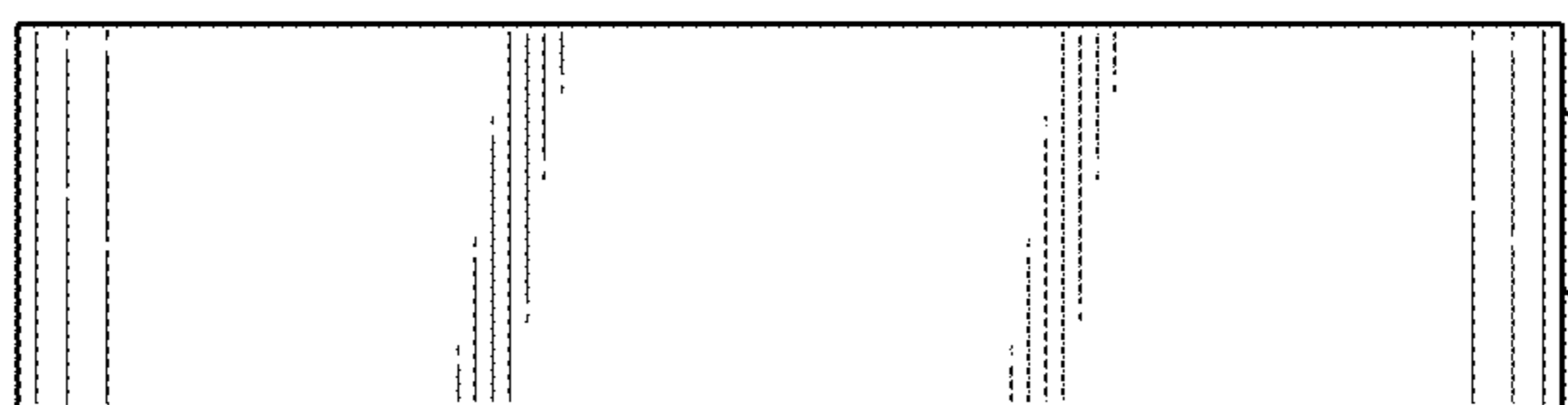


Fig.6

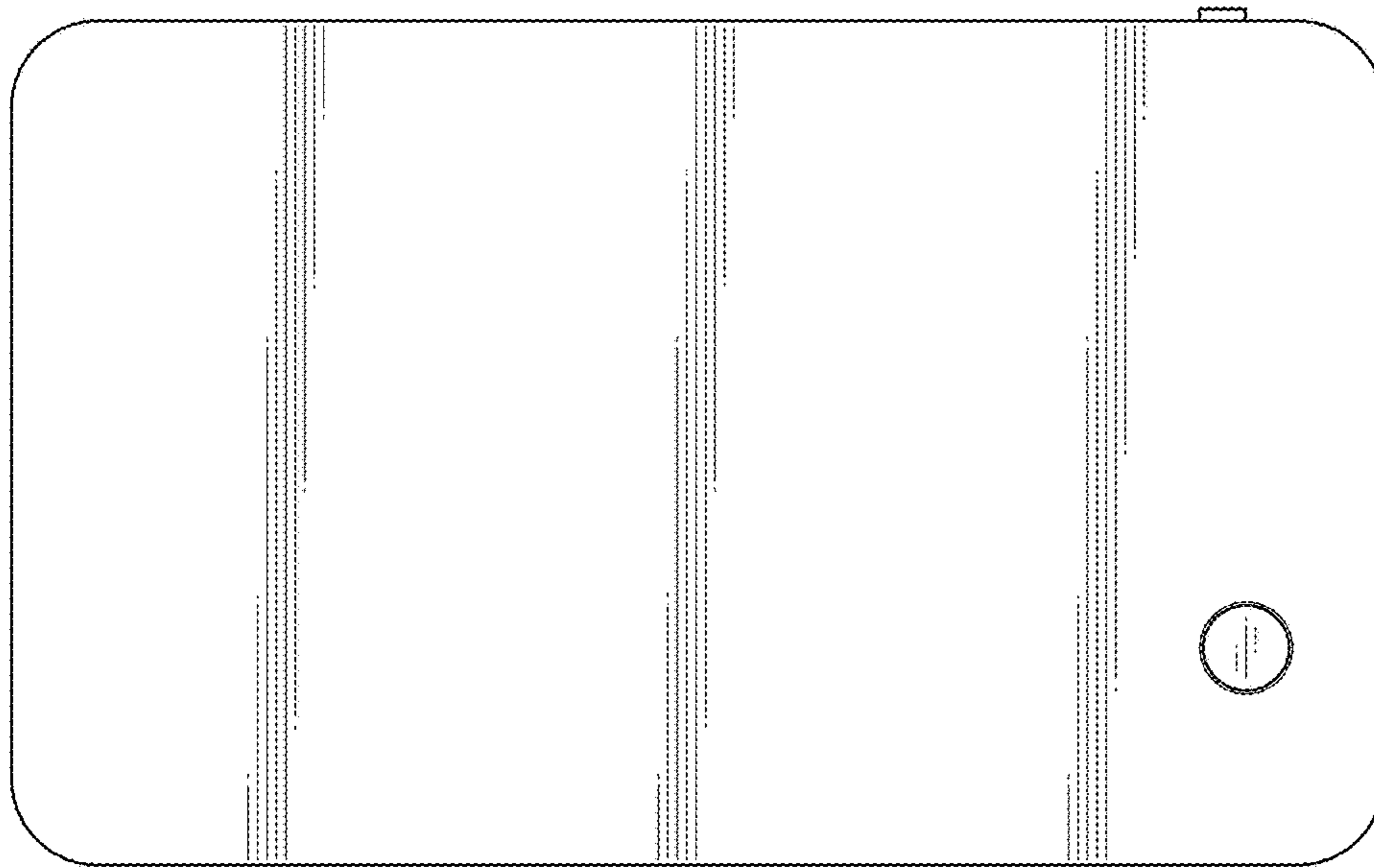


Fig.7

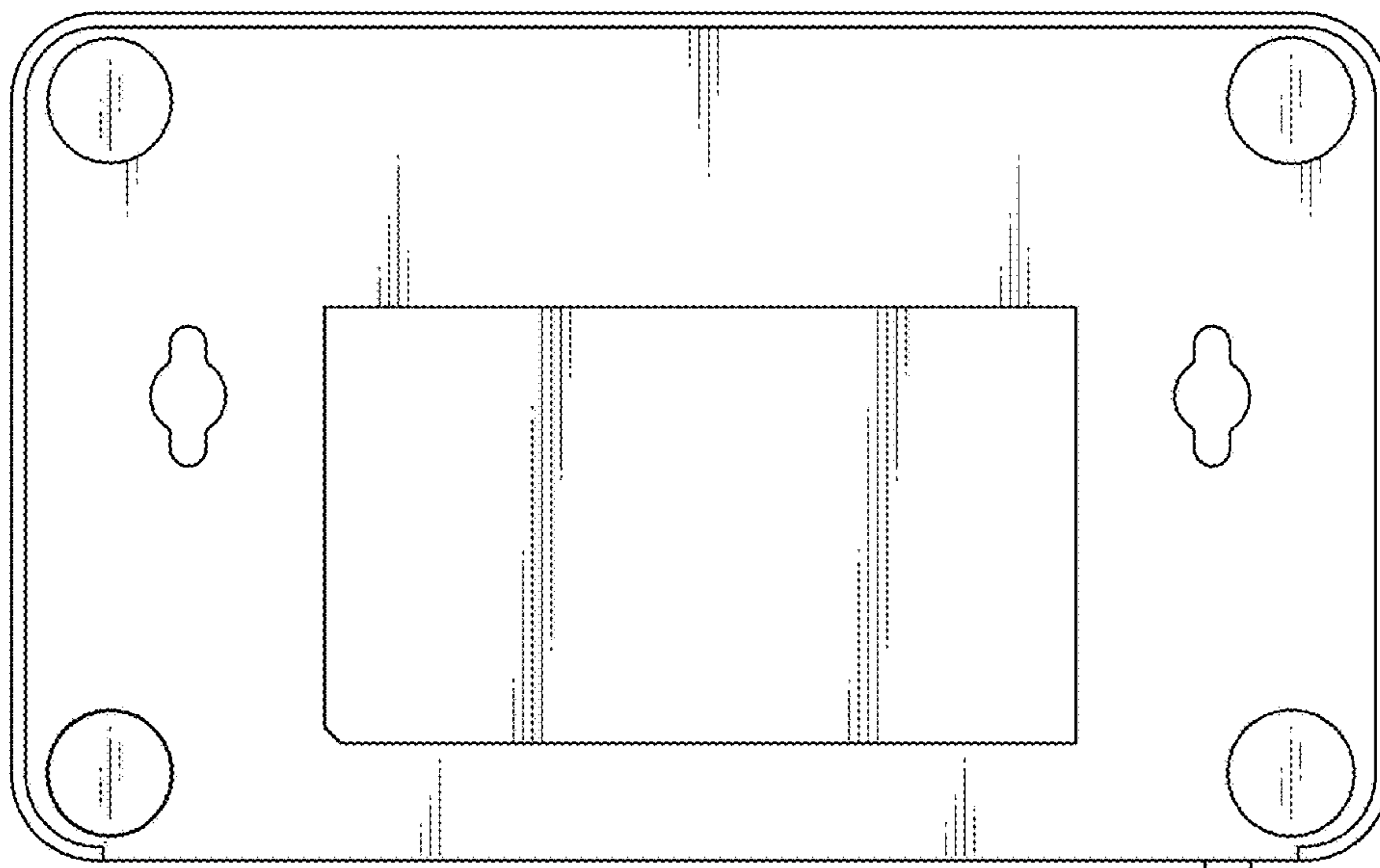


Fig.8

