



US00D782475S

(12) **United States Design Patent**
Yu et al.

(10) **Patent No.:** **US D782,475 S**
(45) **Date of Patent:** **** Mar. 28, 2017**

(54) **ACTIVITY TRACKER BAND**

(71) Applicants: **Anhui Huami Information Technology Co., Ltd.**, Hefei, Anhui (CN); **Huami Inc.**, Sunnyvale, CA (US)

(72) Inventors: **Pengtao Yu**, Mountain View, CA (US); **Xiaoxi Shi**, Mountain View, CA (US); **Wang Huang**, Beijing (CN); **Yi Zhang**, Anhui (CN); **Lian Zhang**, Anhui (CN)

(73) Assignee: **ANHUI HUAMI INFORMATION TECHNOLOGY CO., LTD.**, Sunnyvale, CA (US)

(**) Term: **15 Years**

(21) Appl. No.: **29/542,207**

(22) Filed: **Oct. 12, 2015**

(51) **LOC (10) Cl.** **14-02**

(52) **U.S. Cl.**
USPC **D14/344**; D24/186; D11/5

(58) **Field of Classification Search**
USPC D14/344, 138 R, 144, 358; D2/623, 626, D2/639, 878; D8/88, 356; D10/30-39,
(Continued)

(56) **References Cited**

U.S. PATENT DOCUMENTS

- 1,085,857 A * 2/1914 Fitch G04B 3/045
224/164
- D47,376 S * 5/1915 Depollier D10/32
(Continued)

OTHER PUBLICATIONS

Amazfit Fitness Trackers Boast a Gorgeous Blend of Fashion and Technology, posted Sep. 17, 2015, [retrieved Aug. 16, 2016].

Retrieved from Internet, <URL: <http://gadgets.in.com/amazfit-fitness-trackers-boast-a-gorgeous-blend-of-fashion-and-technology.htm>>.*

Primary Examiner — Barbara Fox

Assistant Examiner — Kristen E Reed

(74) *Attorney, Agent, or Firm* — Young Basile Hanlon & MacFarlane, P.C.

(57) **CLAIM**

The ornamental design for an activity tracker band, as shown and described.

DESCRIPTION

FIG. 1 is a perspective view of the front and left side of an activity tracker band according to our new design.

FIG. 2 is a front view of the activity tracker band of FIG. 1.

FIG. 3 is a rear view of the activity tracker band of FIG. 1.

FIG. 4 is a top view of the activity tracker band of FIG. 1.

FIG. 5 is a bottom view of the activity tracker band of FIG. 1.

FIG. 6 is a left side view of the activity tracker band of FIG. 1.

FIG. 7 is a right side view of the activity tracker band of FIG. 1.

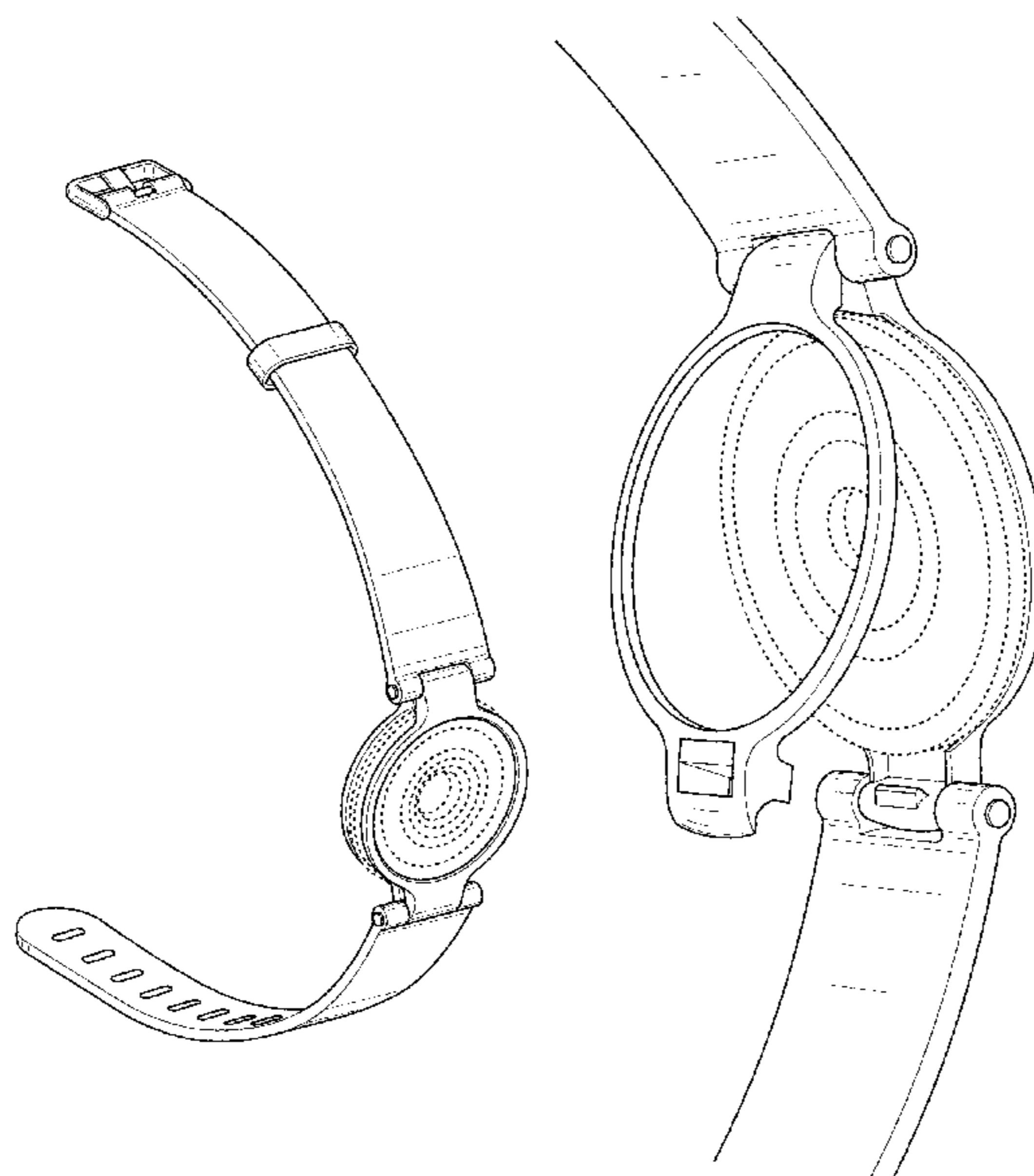
FIG. 8 is a partial, enlarged rear perspective view of the activity tracker band of FIG. 1 showing the frame in an open position; and,

FIG. 9 is a perspective view of the activity tracker band of FIGS. 1-7 in an alternate, fastened position.

The broken line showing of the activity tracker module illustrates environment and forms no part of the claimed design.

The ornamental design of the present disclosure is a wrist band for use with an activity tracker module.

1 Claim, 7 Drawing Sheets



(58) **Field of Classification Search**

USPC D10/70, 98; D11/3, 87, 93–94, 200, 201,
 D11/210, 216, 218, 221, 230–231;
 D24/167, 169, 186–187
 CPC G06F 1/163; G06F 1/1628; G06F 1/1626;
 G06F 1/1635; G06F 1/08; G06F 1/10;
 G06F 1/04; G06F 1/14; G06F 1/3203;
 A41D 1/002; H04M 1/02; H04M 1/03;
 H04M 1/04; H04M 1/05; H04M 1/667;
 H04M 1/6058; Y02B 60/1217; H04B
 1/385; H04B 1/3888; H04B 1/3833;
 A44C 5/00

See application file for complete search history.

(56) **References Cited**

U.S. PATENT DOCUMENTS

1,210,771 A * 1/1917 Depollier G04B 37/0472
 368/277
 D52,465 S * 9/1918 Block 224/165
 2,191,020 A * 2/1940 Kaufmann A44C 5/145
 224/177
 D163,987 S * 7/1951 Barre D10/38
 D228,939 S * 10/1973 Bannwart, Sr. D10/32
 D289,615 S * 5/1987 Thomke D10/33
 D380,393 S * 7/1997 Molas D10/30
 D405,016 S * 2/1999 Bach D10/32
 D464,275 S * 10/2002 Bulgari D10/39

D490,001 S * 5/2004 Elnekaveh D10/32
 D520,383 S * 5/2006 Raffy D10/32
 D566,580 S * 4/2008 Giorgio D10/32
 7,409,837 B2 * 8/2008 Smith A44C 17/0216
 63/29.1
 7,433,275 B2 * 10/2008 Ellner G04B 37/0427
 368/281
 D584,170 S * 1/2009 Morrison D10/32
 D607,758 S * 1/2010 Hegi D10/39
 D617,662 S * 6/2010 Monachon D10/32
 D631,374 S * 1/2011 Hegi D10/38
 D656,414 S * 3/2012 Parmigiani D10/38
 D687,736 S * 8/2013 Wycoff D11/3
 D698,689 S * 2/2014 Boyd D11/4
 D706,142 S * 6/2014 Monachon D10/32
 D709,875 S * 7/2014 Aumiller D14/344
 D719,123 S * 12/2014 Park D10/38
 D720,630 S * 1/2015 Nashimoto D10/32
 D729,674 S * 5/2015 Behar D10/103
 D729,675 S * 5/2015 Behar D10/103
 D734,330 S * 7/2015 Huang D14/344
 D756,824 S * 5/2016 Akana D10/103
 D758,907 S * 6/2016 Kaiser D11/2
 D759,652 S * 6/2016 Aumiller D14/344
 D761,793 S * 7/2016 Akana D10/31
 2005/0022554 A1 * 2/2005 Davidson A44C 17/0208
 63/1.14
 2010/0323154 A1 * 12/2010 Sharobiem A44C 5/00
 428/131

* cited by examiner

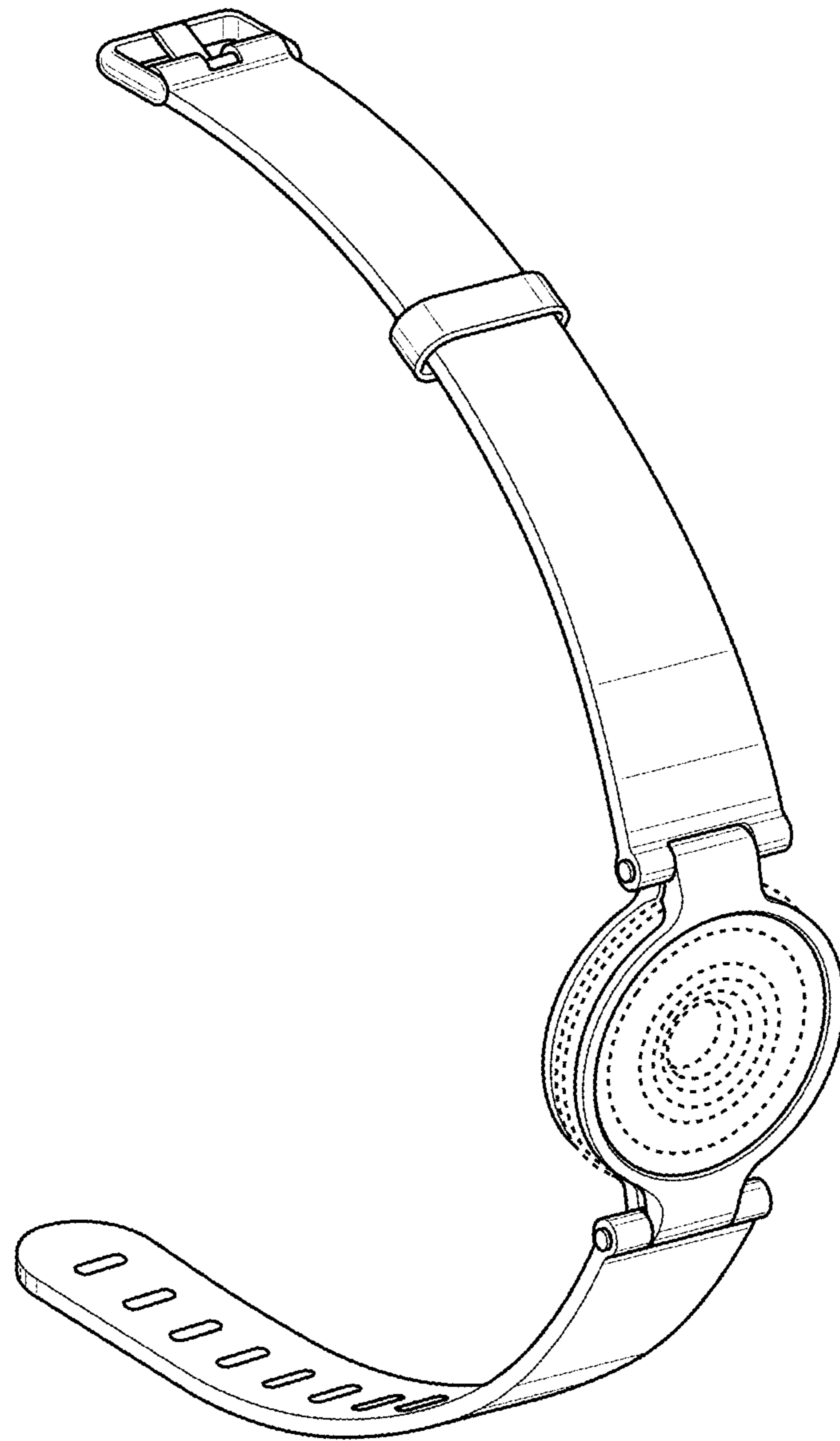


FIG. 1

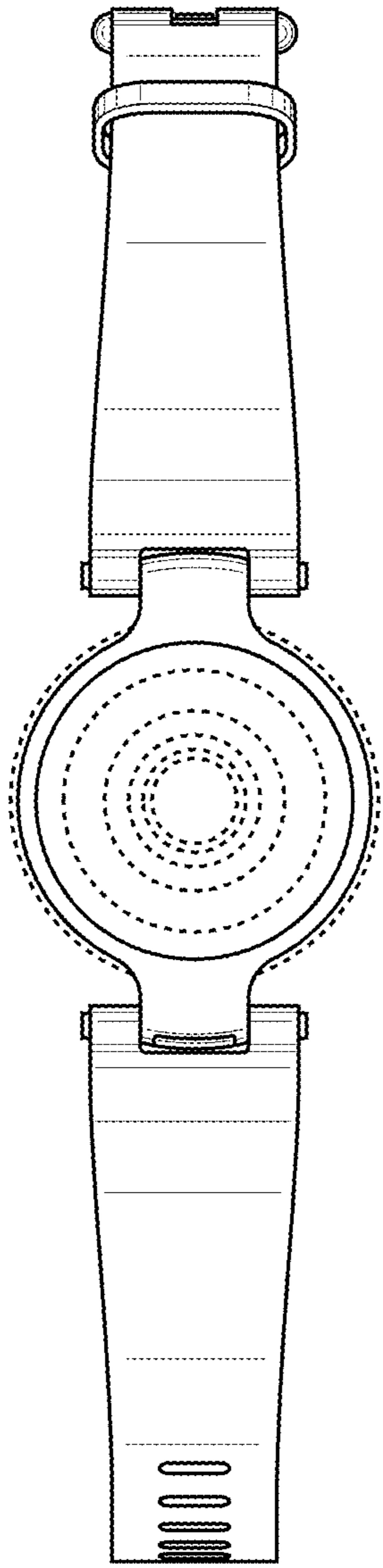


FIG. 2

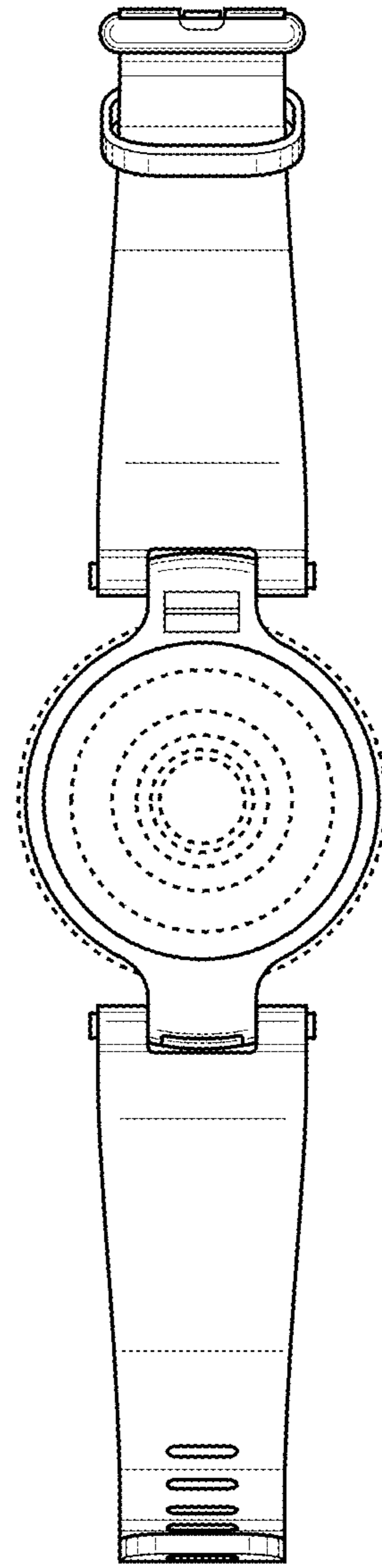


FIG. 3

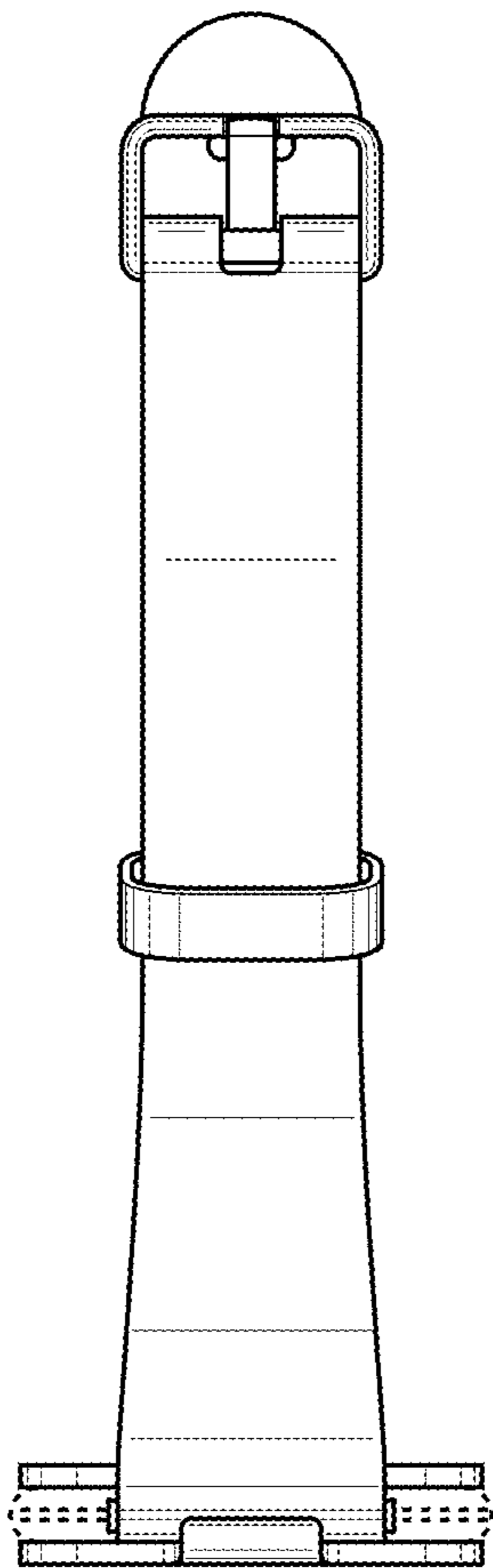


FIG. 4

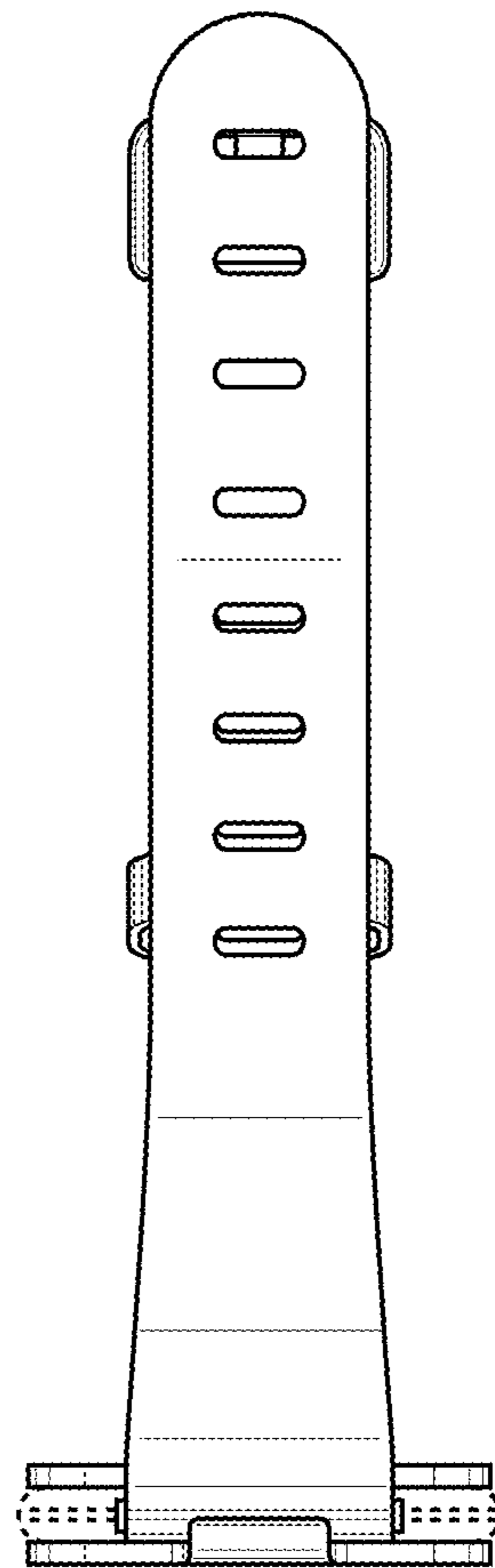


FIG. 5

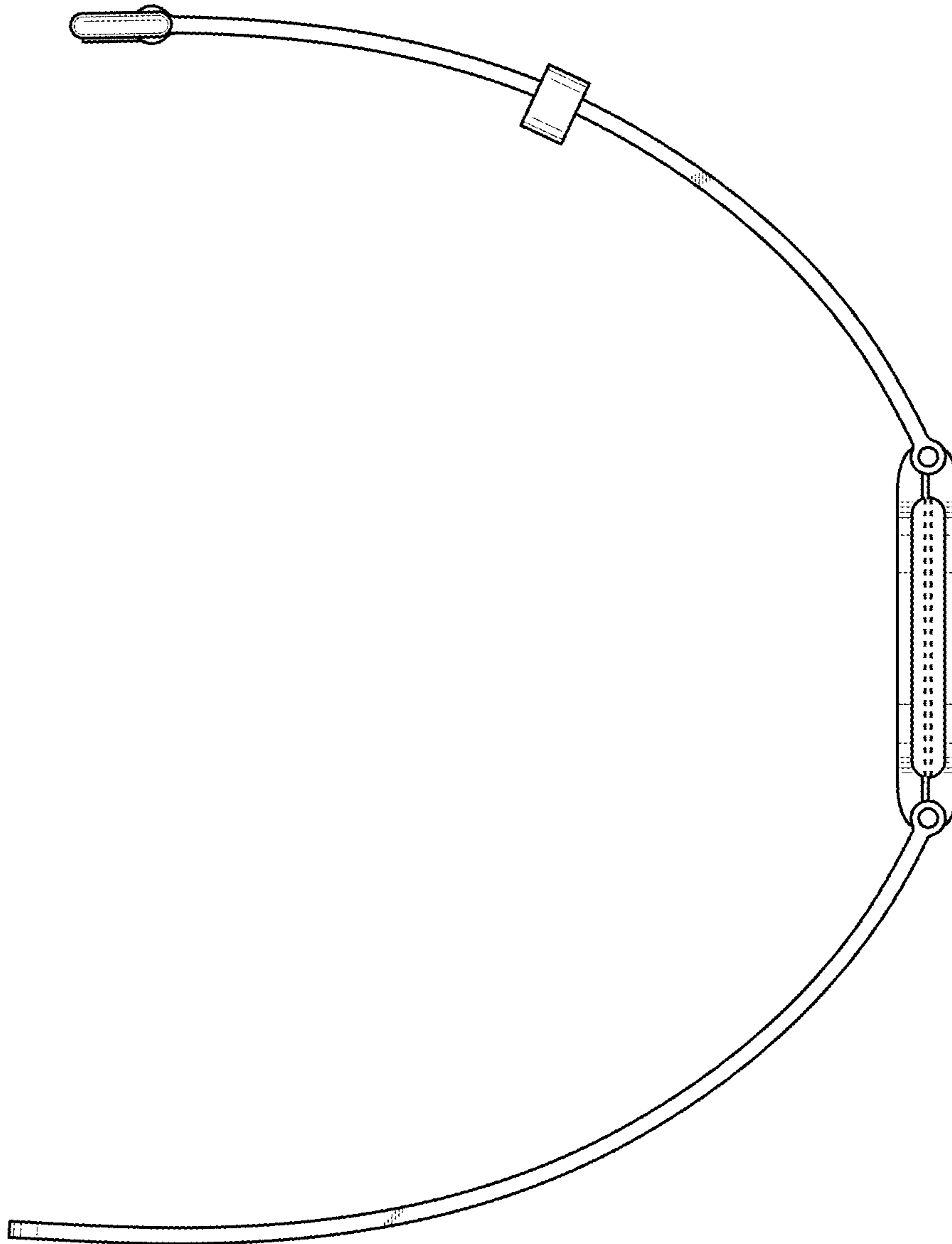


FIG. 6

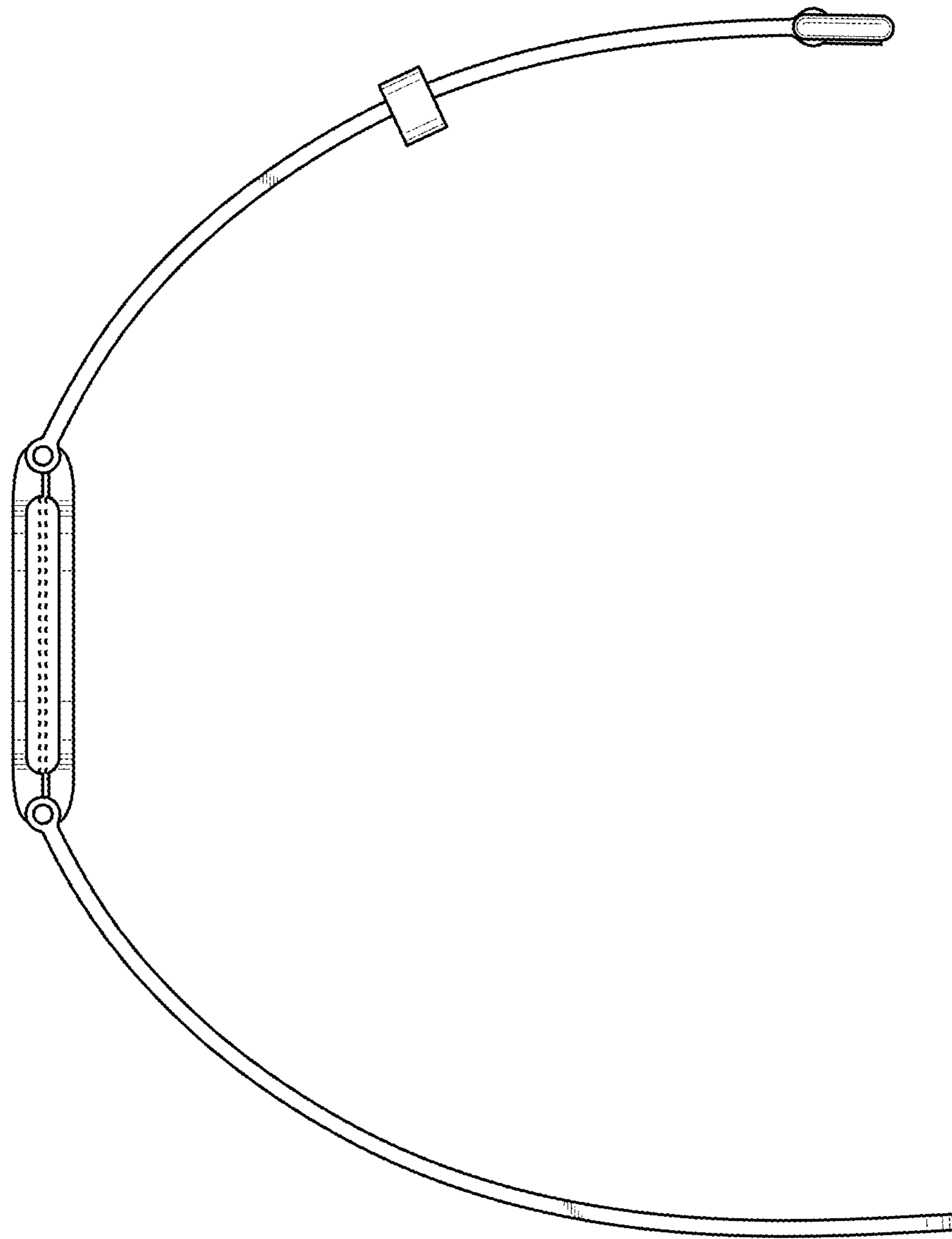


FIG. 7

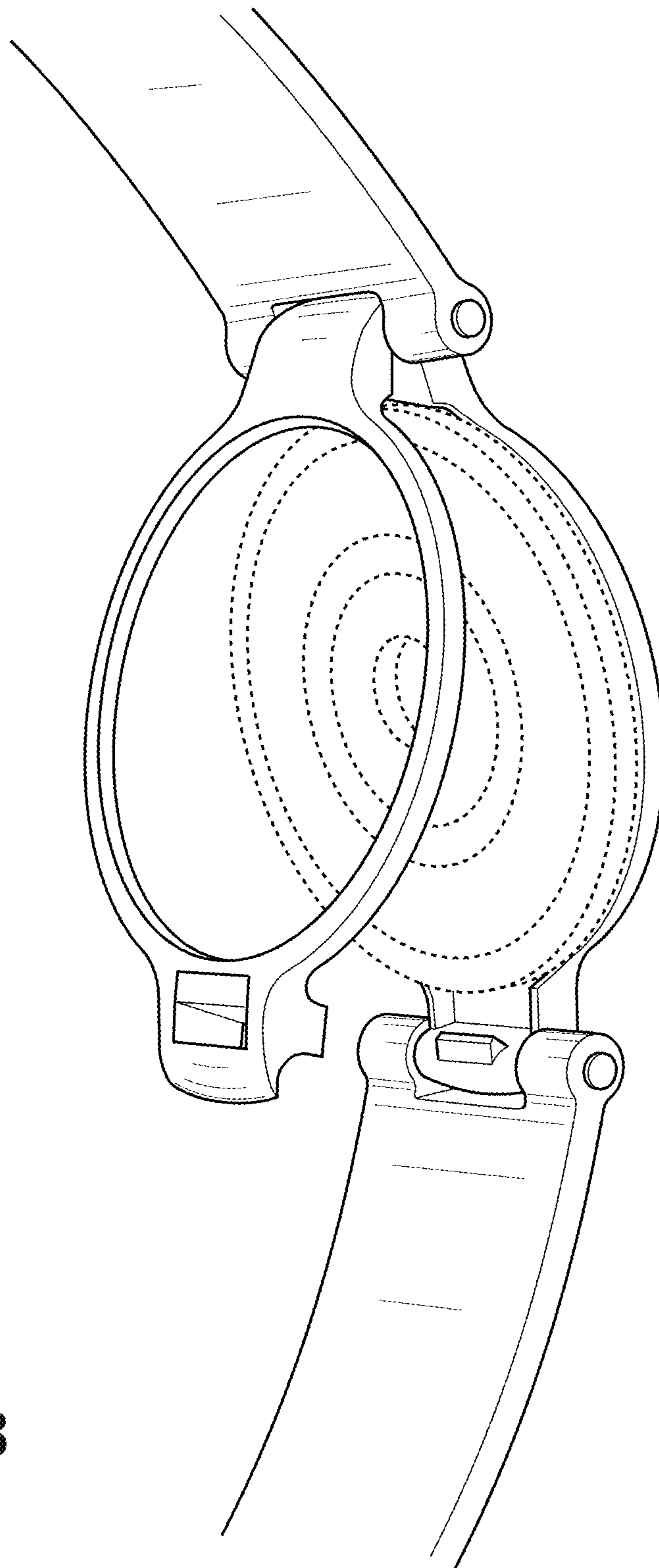


FIG. 8

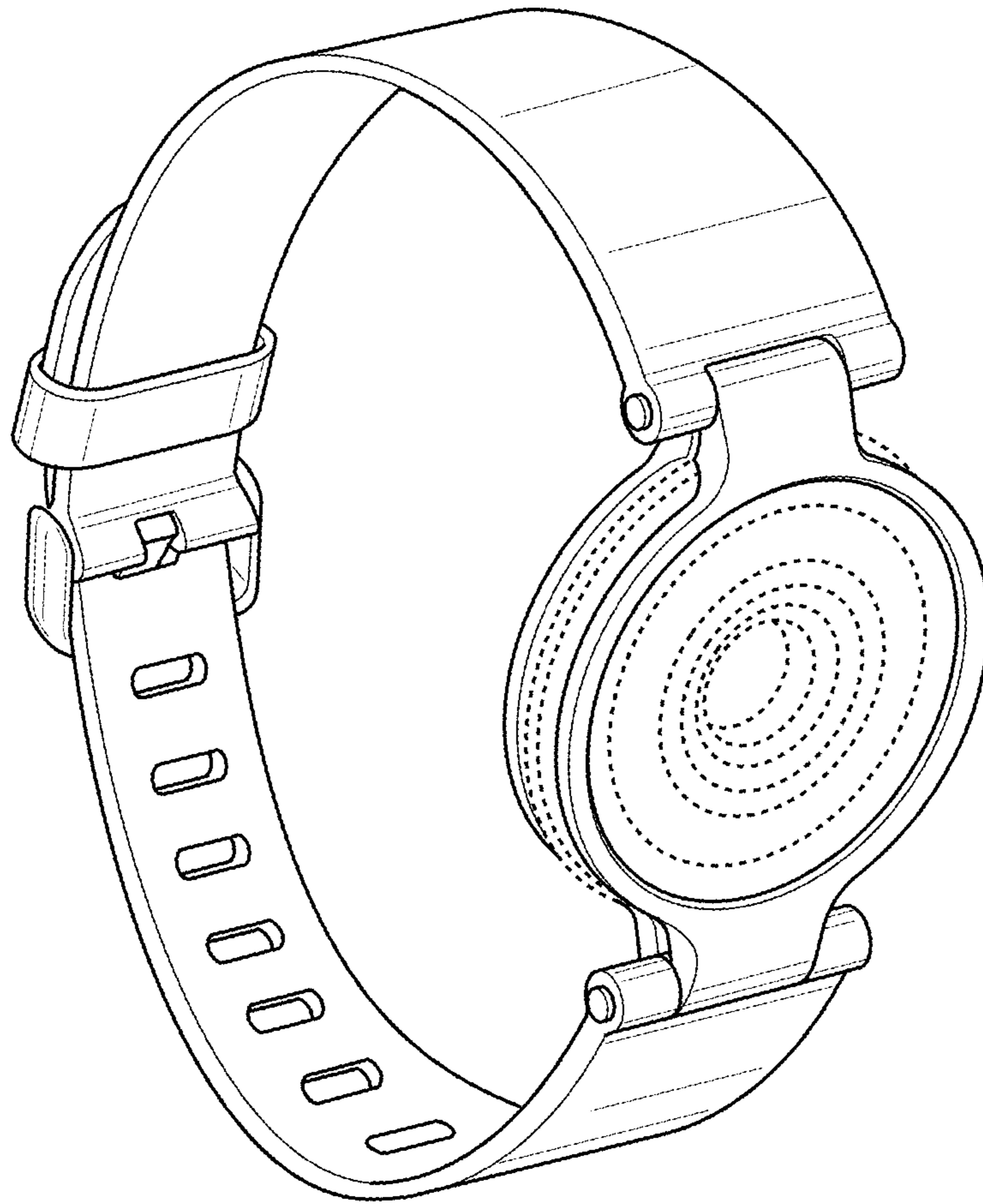


FIG. 9