



US00D782474S

(12) **United States Design Patent** (10) **Patent No.:** **US D782,474 S**
Aumiller et al. (45) **Date of Patent:** **** Mar. 28, 2017**

(54) **WEARABLE ELECTRONIC DEVICE**

(71) Applicant: **Samsung Electronics Co., Ltd.**,
Suwon-si (KR)

(72) Inventors: **Curtis Aumiller**, San Jose, CA (US);
Pranav Mistry, Cupertino, CA (US);
Chengyuan Wei, Dalian (CN)

(73) Assignee: **SAMSUNG ELECTRONICS CO., LTD.**,
Suwon-si (KR)

(**) Term: **14 Years**

(21) Appl. No.: **29/508,626**

(22) Filed: **Nov. 7, 2014**

Related U.S. Application Data

(63) Continuation of application No. 29/453,818, filed on
May 3, 2013, now Pat. No. Des. 769,867, which is a
continuation of application No. 29/449,659, filed on
Mar. 15, 2013, now Pat. No. Des. 709,873.

(51) **LOC (10) Cl.** **14-02**

(52) **U.S. Cl.**
USPC **D14/344**; D10/138 R

(58) **Field of Classification Search**

USPC D14/344, 138 R, 144, 358; D2/623, 626,
D2/639, 878; D8/88, 356; D10/30-39,
D10/70, 98; D11/3, 87, 93-94, 200, 201,
D11/210, 216, 218, 221, 230-231;
D24/167, 169, 186-187

CPC G06F 1/163; G06F 1/1628; G06F 1/1626;
G06F 1/1635; G06F 1/08; G06F 1/10;
G06F 1/04; G06F 1/14; G06F 1/3203;
A41D 1/002; H04M 1/02; H04M 1/03;
H04M 1/04; H04M 1/05; H04M 1/667;
H04M 1/6058; Y02B 60/1217; H04B
1/385; H04B 1/3888; H04B 1/3833;
A44C 5/00

See application file for complete search history.

(56) **References Cited**

U.S. PATENT DOCUMENTS

D164,830 S * 10/1951 Warren D10/39
D270,430 S * 9/1983 Fukuoka D10/39
D329,020 S * 9/1992 Iwata D10/30
D470,070 S * 2/2003 Richter D10/128
D584,170 S * 1/2009 Morrison D10/32
D631,374 S * 1/2011 Hegi D10/38

(Continued)

OTHER PUBLICATIONS

Home / Vintage Watches / Roy King Silver Cushion 1974, posted
unknown, [retrieved Aug. 10, 2016]. Retrieved from Internet,
<URL: <https://www.poshtime.com/vintagewatch.php?id=3023.030>
>.*

(Continued)

Primary Examiner — Barbara Fox

Assistant Examiner — Kristin E Reed

(74) *Attorney, Agent, or Firm* — McAndrews Held &
Malloy, Ltd.

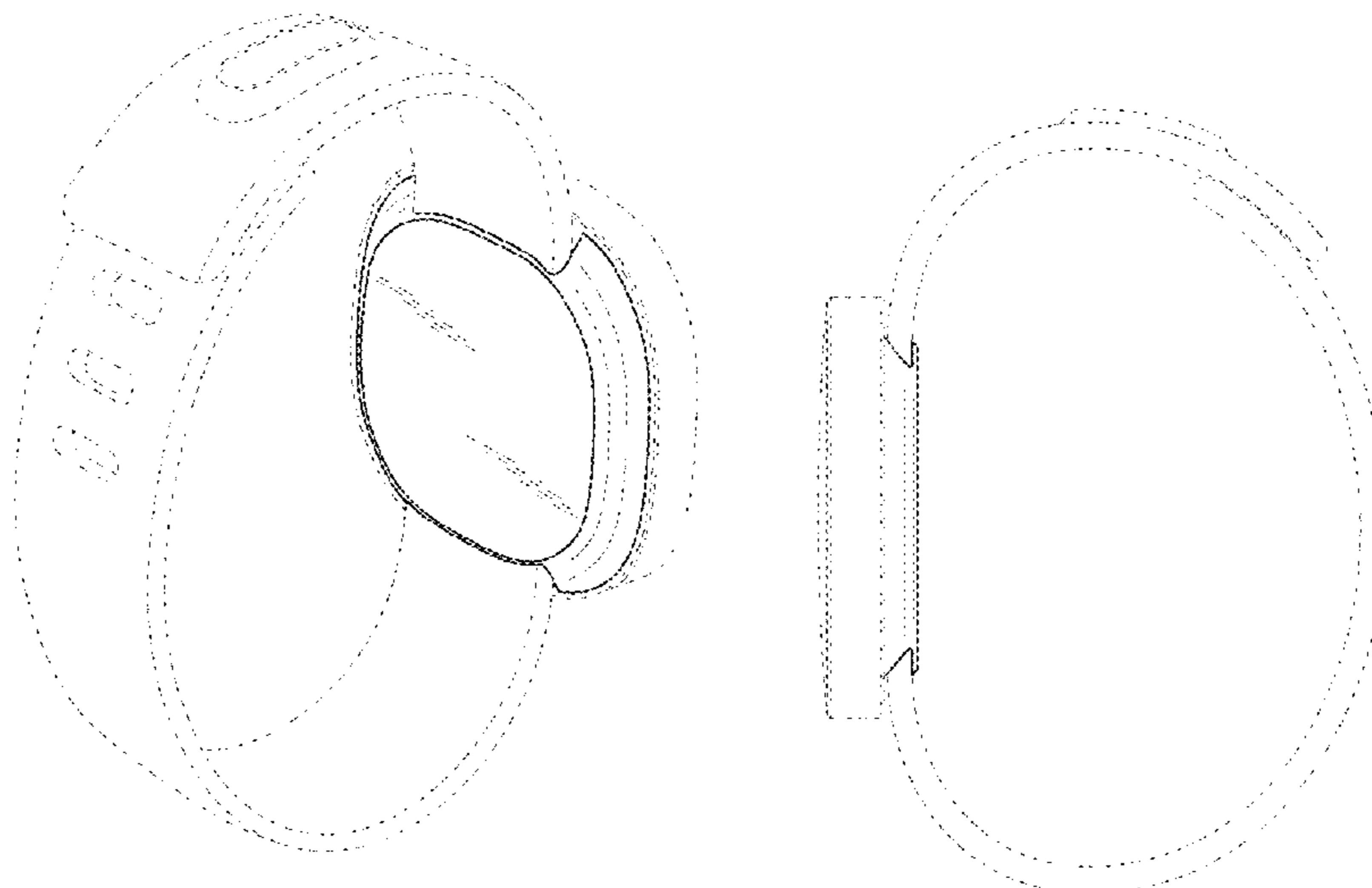
(57) **CLAIM**

The ornamental design for a wearable electronic device, as
shown and described.

DESCRIPTION

FIG. 1 is a top left rear perspective view of a wearable
electronic device showing our new design;
FIG. 2 is a front elevation view thereof;
FIG. 3 is a rear elevation view thereof;
FIG. 4 is a left-side elevation view thereof;
FIG. 5 is a right-side elevation view thereof;
FIG. 6 is a top plan view thereof; and,
FIG. 7 is a bottom plan view thereof.
The broken lines in the drawings illustrate portions of the
wearable electronic device that form no part of the claimed
design.

1 Claim, 3 Drawing Sheets



(56)

References Cited

U.S. PATENT DOCUMENTS

D636,687 S * 4/2011 Morrison D10/39
D638,725 S * 5/2011 Morrison D10/39
D701,504 S * 3/2014 Christopher D14/344
D709,873 S * 7/2014 Aumiller D14/344
D709,875 S * 7/2014 Aumiller D14/344
D711,872 S * 8/2014 Aumiller D14/344
D714,288 S * 9/2014 Aumiller D14/344
D719,123 S * 12/2014 Park D10/38
D724,047 S * 3/2015 Kim D10/38
D729,671 S * 5/2015 Nuovo D10/103
D732,529 S * 6/2015 Aumiller D14/344
D735,724 S * 8/2015 Song D14/432
D745,515 S * 12/2015 Solomon D14/344
D747,979 S * 1/2016 Babcock D10/30
D751,752 S * 3/2016 Dodge D26/120
D755,786 S * 5/2016 Lapetina D14/344
D759,652 S * 6/2016 Aumiller D14/344
D760,220 S * 6/2016 Aumiller D14/344
2015/0370224 A1 * 12/2015 Emmert G04B 37/1486
224/164

OTHER PUBLICATIONS

Patek Philippe Ref 3544/1 Mens Watch Solid Yellow Gold Manuel
Wind, posted Nov. 20, 2013, [retrieved Aug. 10, 2016]. Retrieved
from Internet, <URL: [https://www.youtube.com/
watch?v=4lkc63TxNvc&feature=player_embedded](https://www.youtube.com/watch?v=4lkc63TxNvc&feature=player_embedded) >.*

* cited by examiner

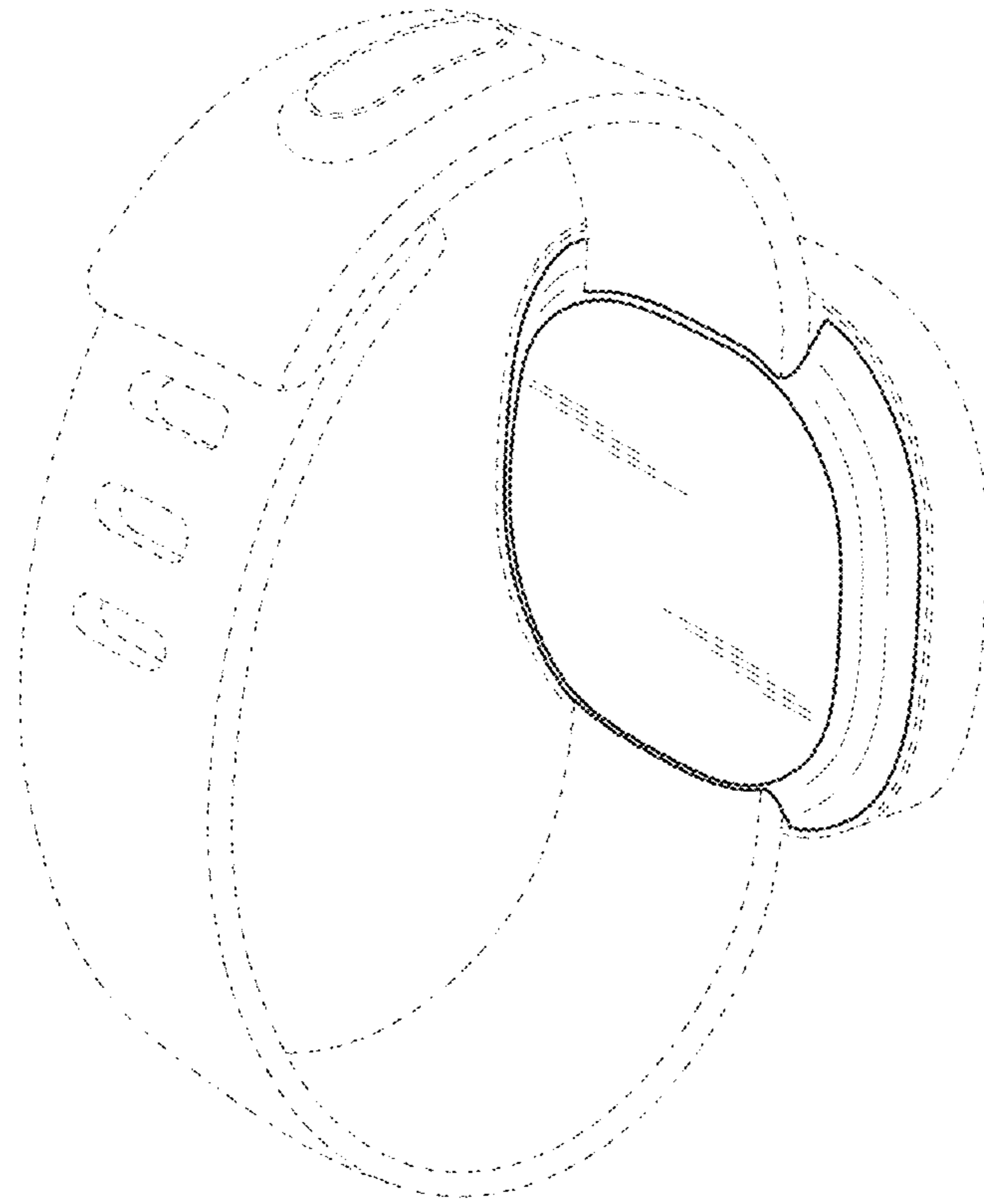


FIG.1

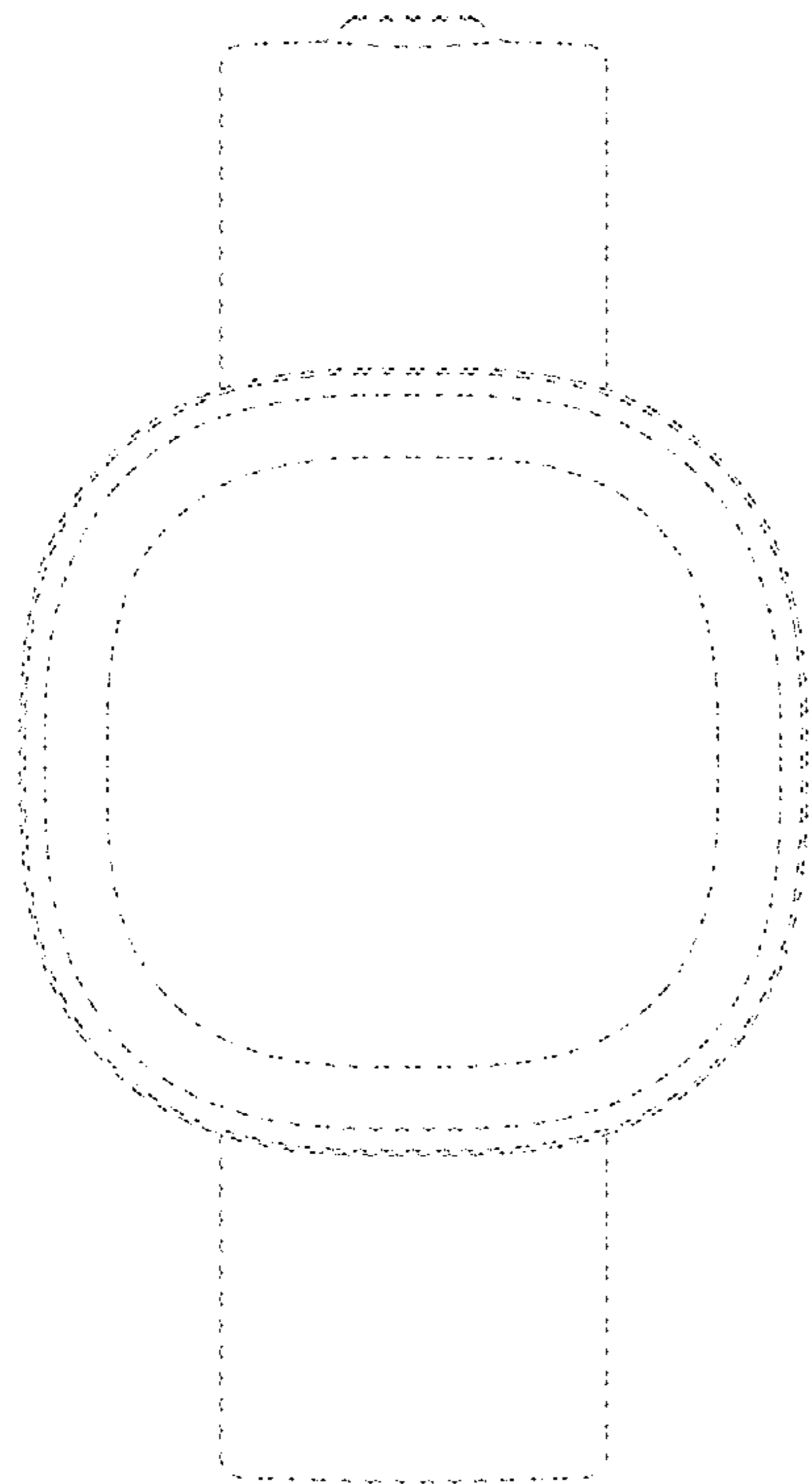


FIG. 2

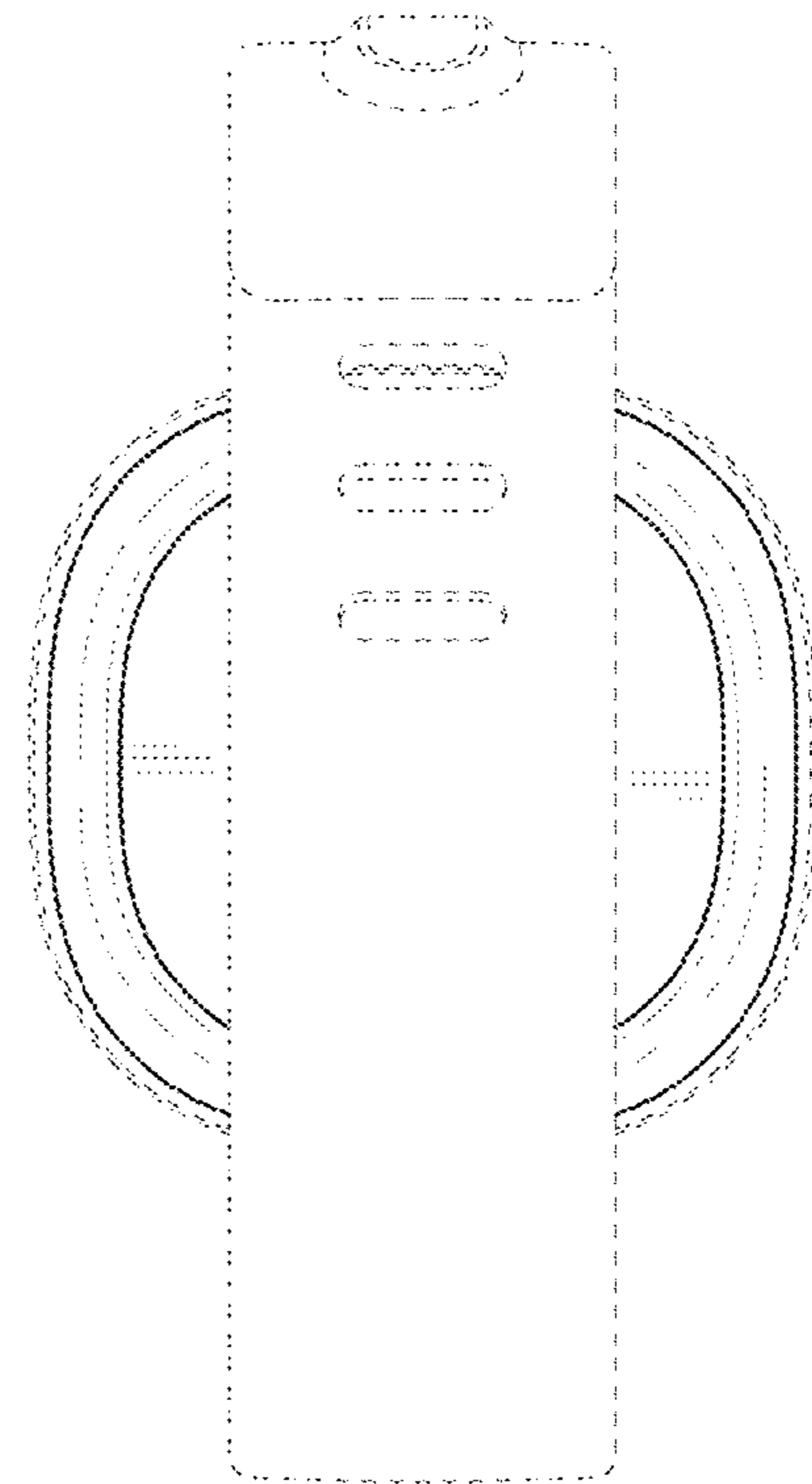


FIG. 3

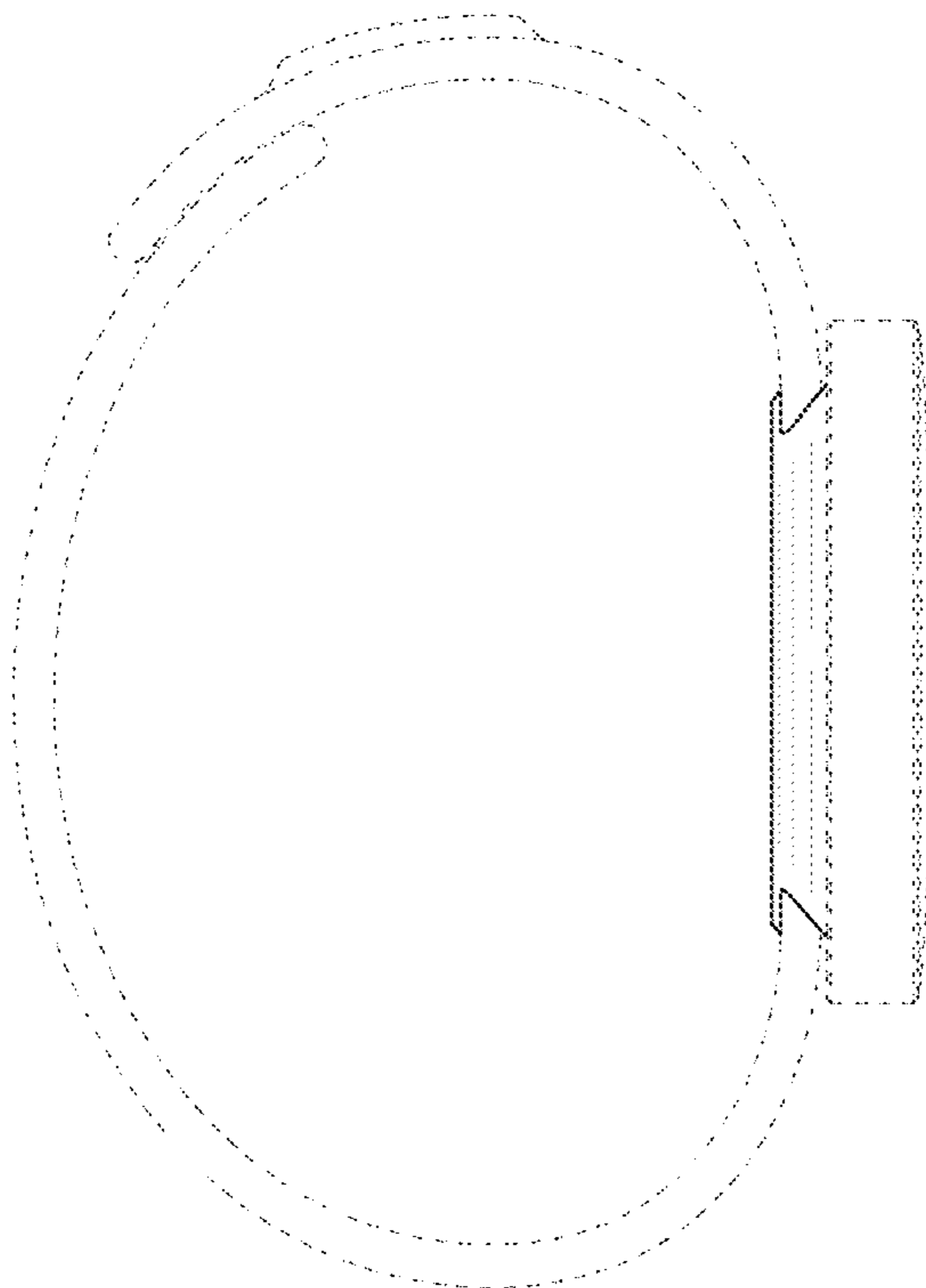


FIG. 4

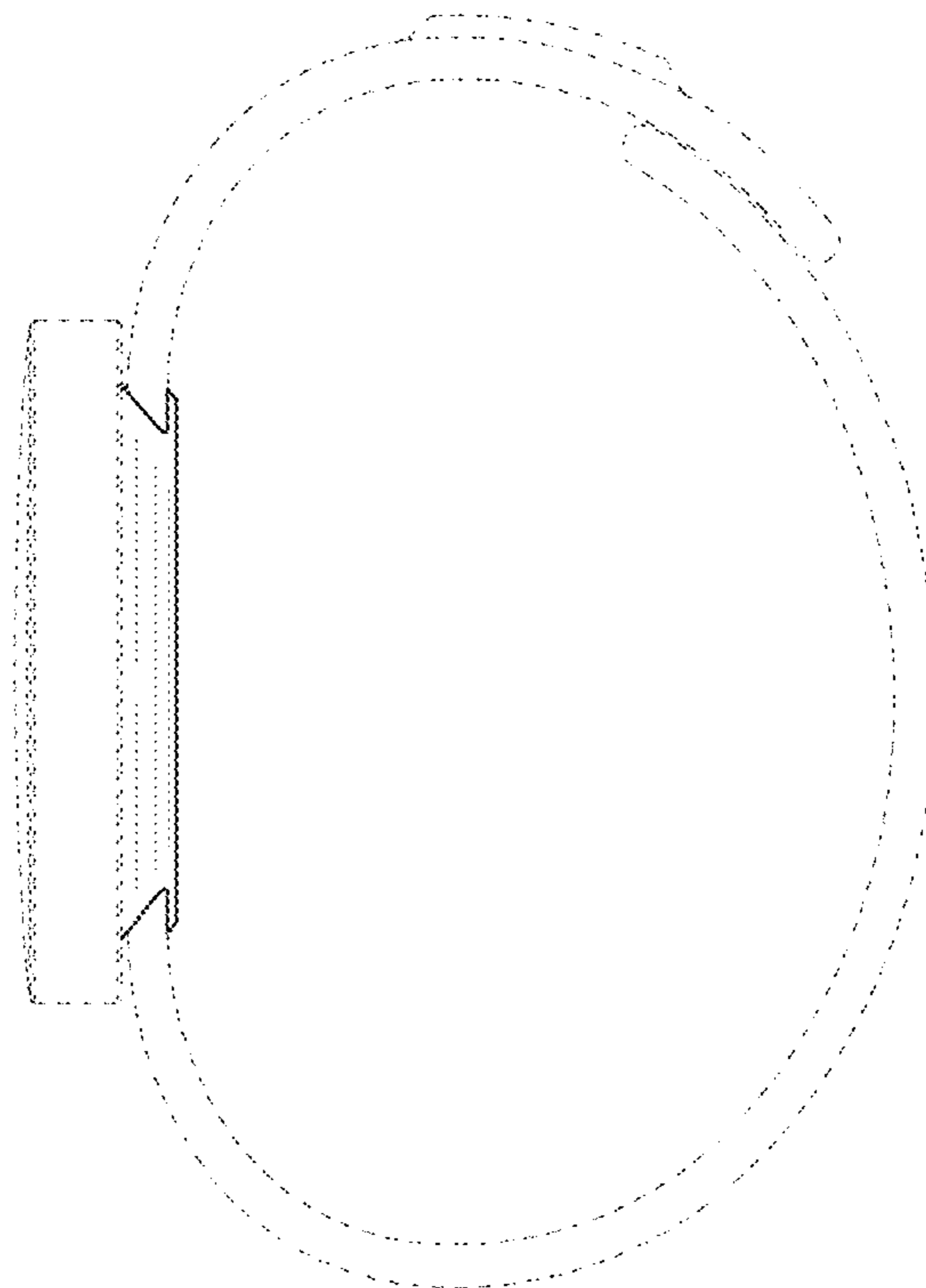


FIG. 5

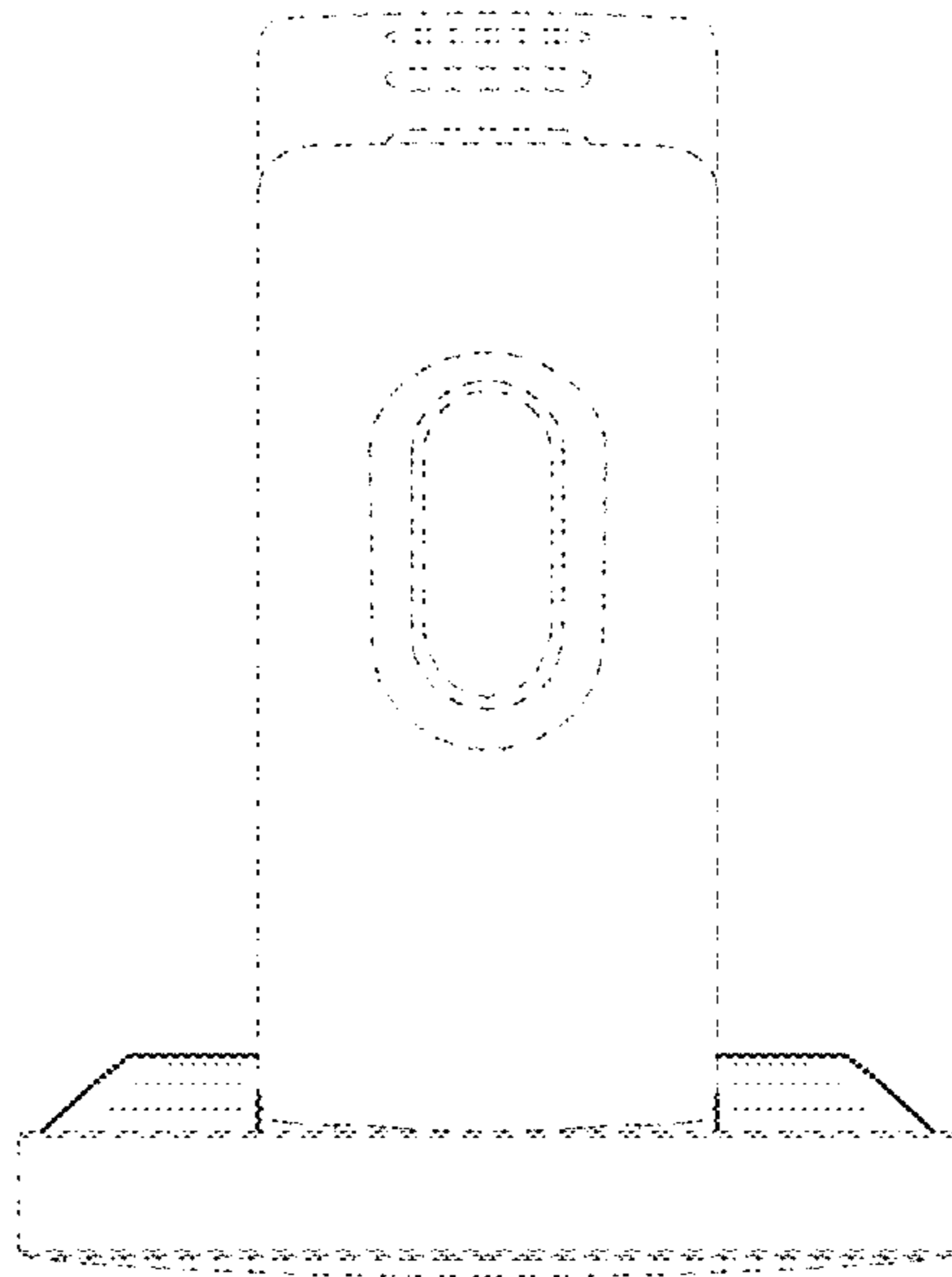


FIG. 6

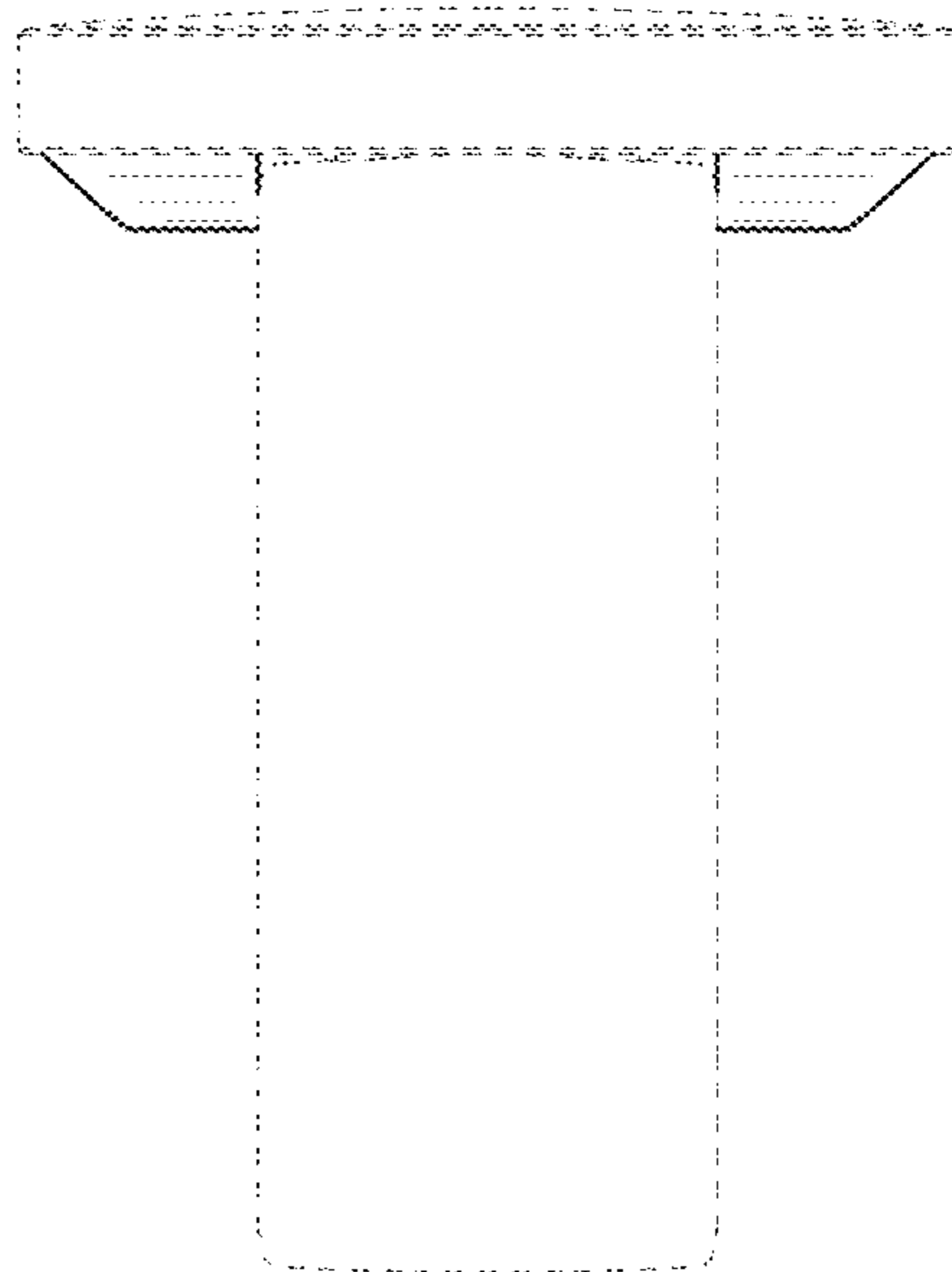


FIG. 7