



US00D782473S

(12) **United States Design Patent**
Hong et al.

(10) **Patent No.:** **US D782,473 S**
(45) **Date of Patent:** **** Mar. 28, 2017**

(54) **ELECTRONIC DEVICE**

(71) Applicant: **Samsung Electronics Co., Ltd.**,
Suwon-si (KR)

(72) Inventors: **Kwaneui Hong**, Yongin-si (KR);
Sungkwon Kim, Seoul (KR); **Chungha Kim**, Seoul (KR)

(73) Assignee: **SAMSUNG ELECTRONICS CO., LTD.**,
Suwon-si (KR)

(**) Term: **15 Years**

(21) Appl. No.: **29/548,475**

(22) Filed: **Dec. 14, 2015**

(30) **Foreign Application Priority Data**

Jun. 24, 2015 (KR) 30-2015-0031954

(51) **LOC (10) Cl.** **14-02**

(52) **U.S. Cl.**
USPC **D14/341**

(58) **Field of Classification Search**

USPC D14/253, 440, 203.1, 203.4, 203.7,
D14/341-347, 337, 374, 138, 138 AB,
D14/496, 447, 315, 316; D10/65;
D21/329, 330; D6/310

CPC G06F 3/016; G06F 3/0202; G06F 3/04845;
G06F 13/385; H04N 17/00; H04N 5/30;
H04N 5/66; H04N 5/2251; H04M 1/0214

See application file for complete search history.

(56) **References Cited**

U.S. PATENT DOCUMENTS

D276,732 S * 12/1984 Marquez D19/113
D278,109 S * 3/1985 Leeds D19/91
5,222,315 A * 6/1993 Lovison A47G 1/14
40/745

D342,611 S * 12/1993 Andrews D6/311
D370,355 S * 6/1996 Kenney D6/310
D547,733 S * 7/2007 Mayo D13/164
D581,681 S * 12/2008 Goolrick D6/314
D655,307 S * 3/2012 Maier D14/496
D657,789 S * 4/2012 Lee D14/374
D661,266 S * 6/2012 Laube D14/126
D661,671 S * 6/2012 Laube D14/126

(Continued)

FOREIGN PATENT DOCUMENTS

EM 001427058-0003 1/2015
KR 30-0783066 2/2015

Primary Examiner — Barbara Fox

Assistant Examiner — Dana K Weiland

(74) *Attorney, Agent, or Firm* — McAndrews Held & Malloy, Ltd.

(57) **CLAIM**

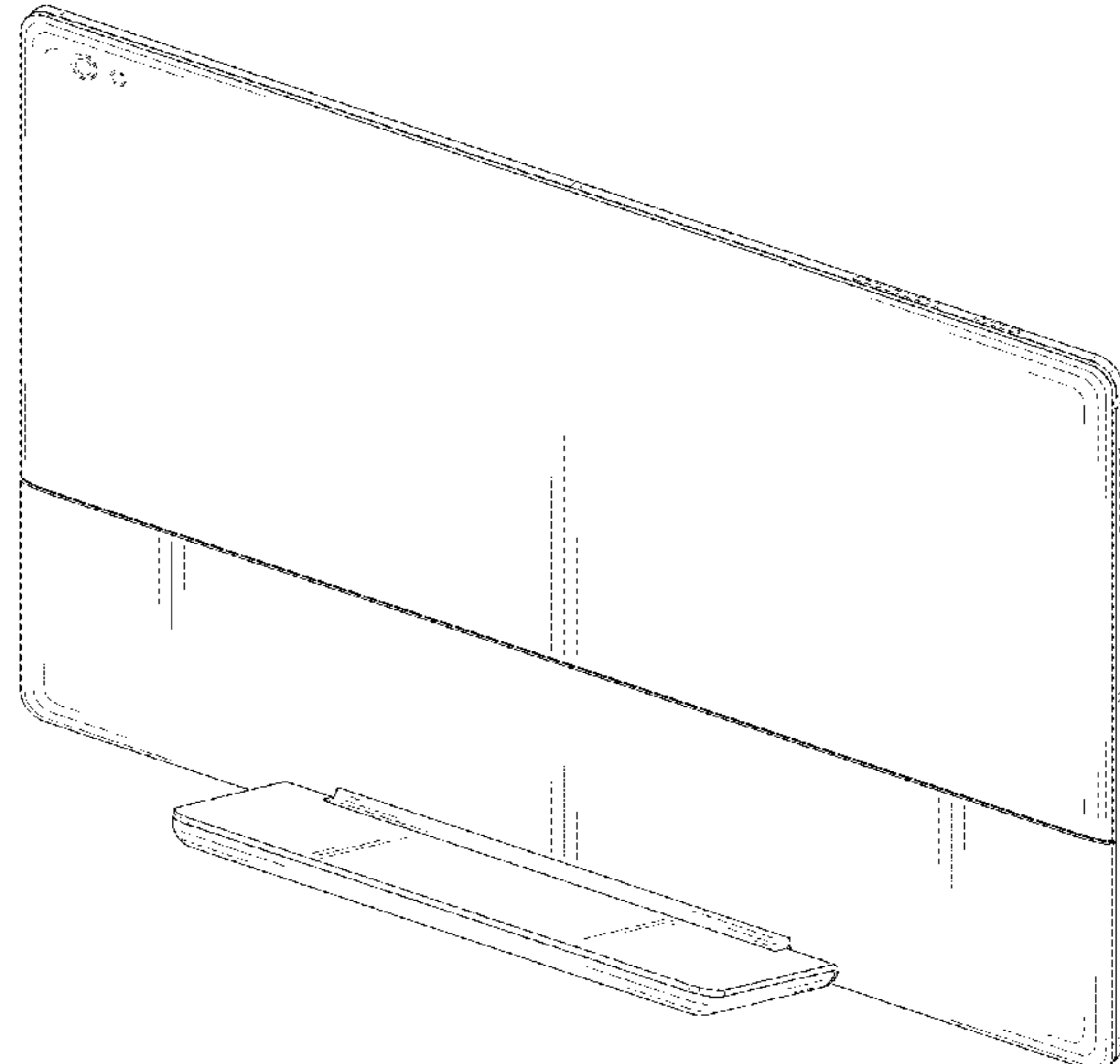
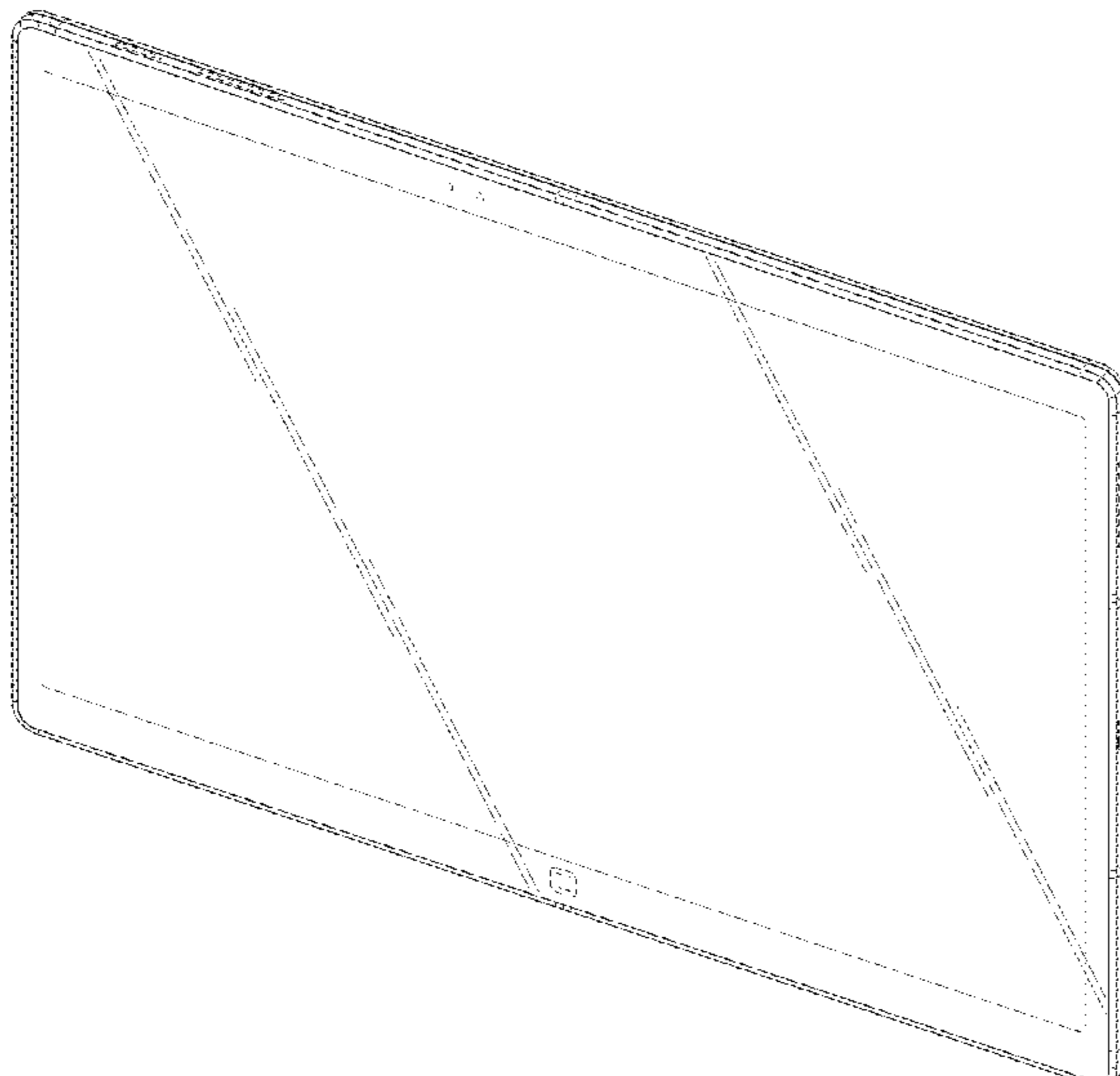
The ornamental design for an electronic device, as shown and described.

DESCRIPTION

FIG. 1 is a front perspective view of an electronic device showing our new design;
FIG. 2 is a front elevation view thereof;
FIG. 3 is a rear elevation view thereof;
FIG. 4 is a left-side elevation view thereof;
FIG. 5 is a right-side elevation view thereof;
FIG. 6 is a top plan view thereof;
FIG. 7 is a bottom plan view thereof;
FIG. 8 is a rear perspective view thereof; and,
FIG. 9 is a rear perspective view thereof, in an alternate position.

The dashed broken lines depict portions of the electronic device that form no part of the claimed design.

1 Claim, 8 Drawing Sheets



(56)

References Cited

U.S. PATENT DOCUMENTS

D683,141	S *	5/2013	Symons	D14/447
D688,237	S	8/2013	Paulhac et al.		
D691,818	S *	10/2013	Shibata	D6/308
8,605,433	B2 *	12/2013	Chiang	F16M 11/10 361/679.59
D699,239	S *	2/2014	Kim	D14/341
D712,399	S *	9/2014	Sohn	D14/336
D712,867	S *	9/2014	Vats	D14/138 AB
D713,841	S *	9/2014	Lim	D14/341
D715,756	S *	10/2014	Lim	D14/126
D719,152	S *	12/2014	Ahn	D14/345
D737,270	S *	8/2015	Young	D14/341
D741,070	S *	10/2015	Martin	D14/375
D749,564	S *	2/2016	Cho	D14/341
D754,122	S *	4/2016	Oakley	D14/336
D767,530	S *	9/2016	Bae	D14/203.3
D768,621	S *	10/2016	Park	D14/315
2013/0307816	A1 *	11/2013	Lee	G06F 1/1652 345/174
2015/0193009	A1 *	7/2015	Sharma	G06F 1/1616 345/169

* cited by examiner

FIG. 1

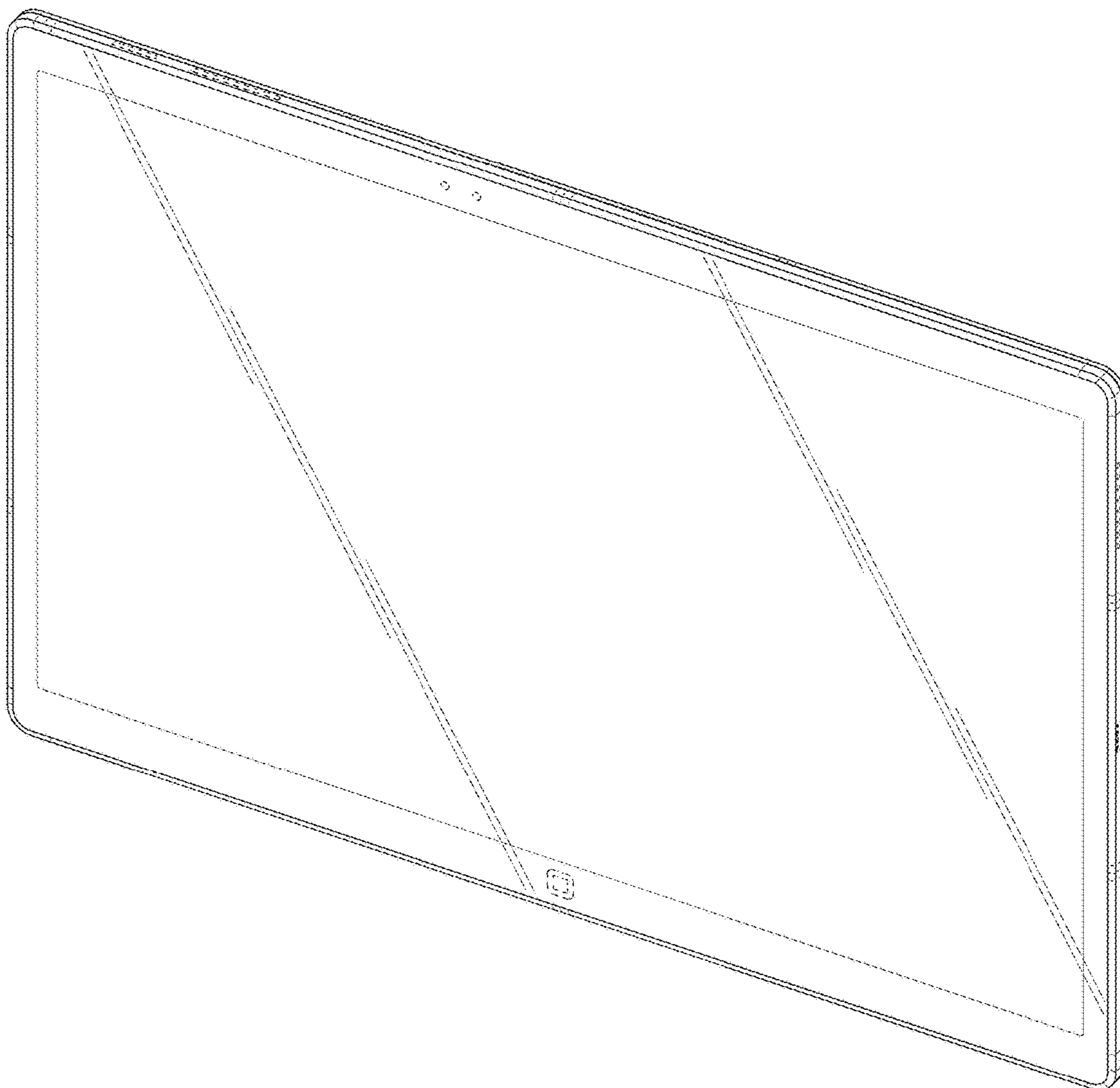


FIG. 2

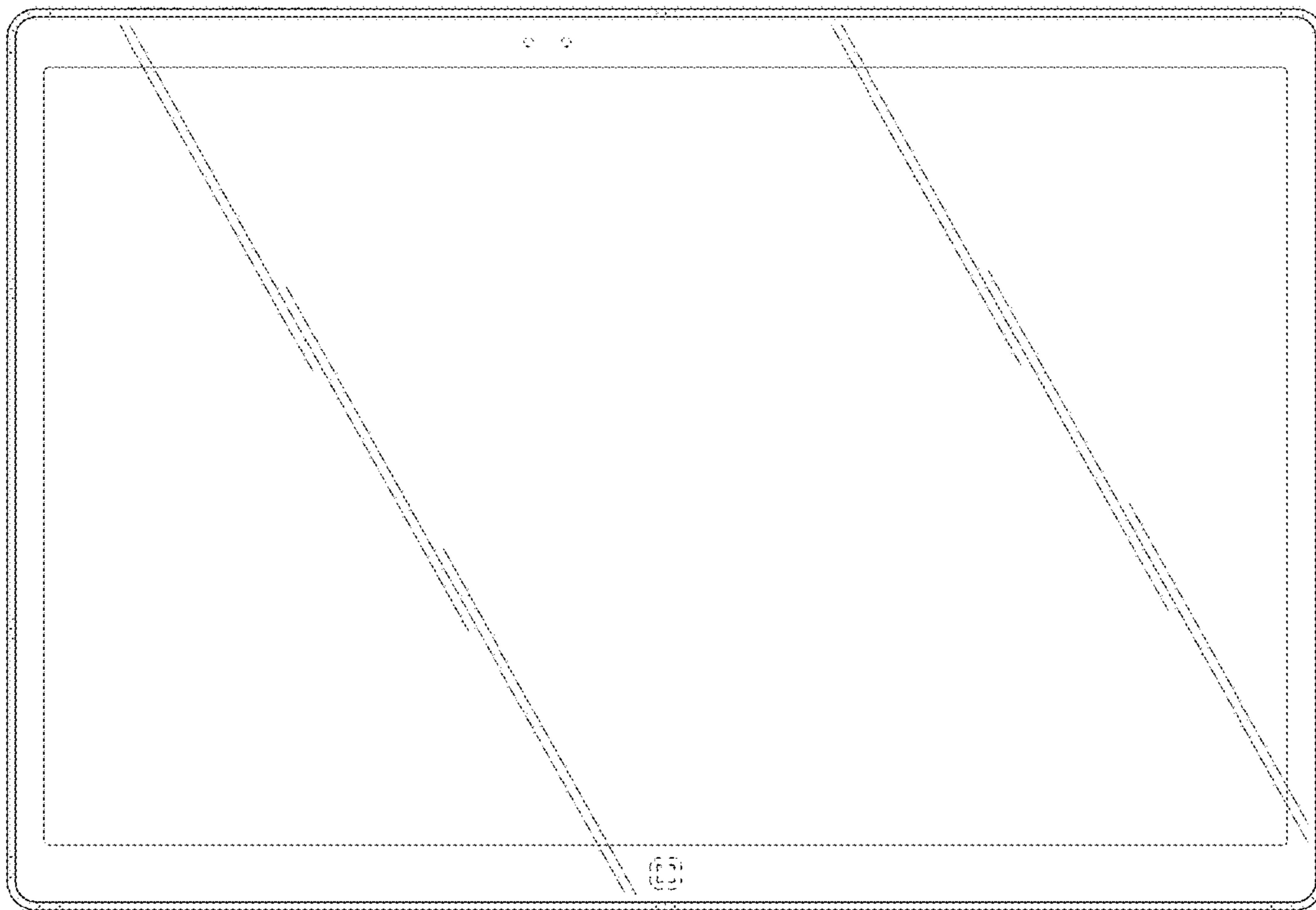


FIG. 3

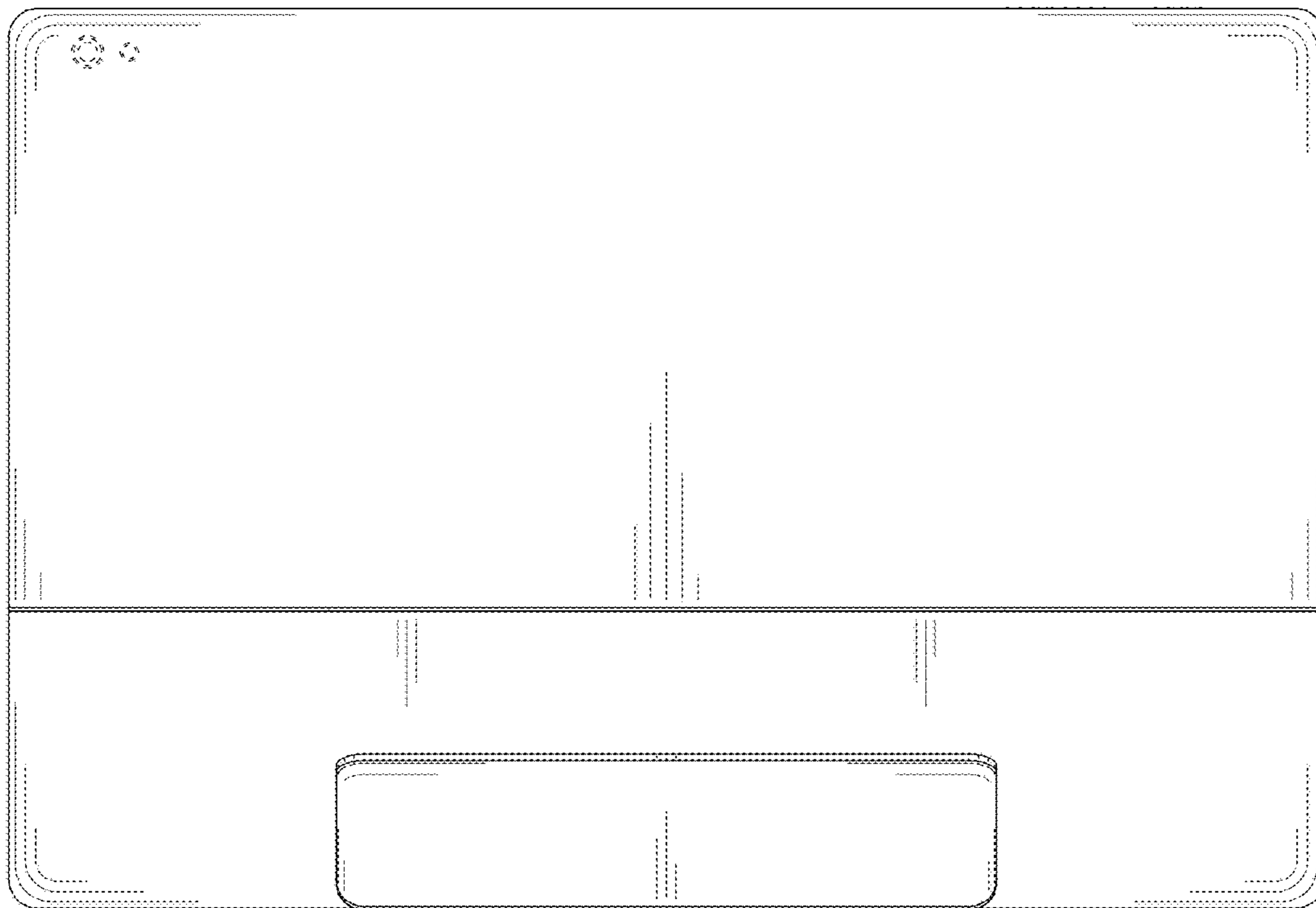


FIG. 4

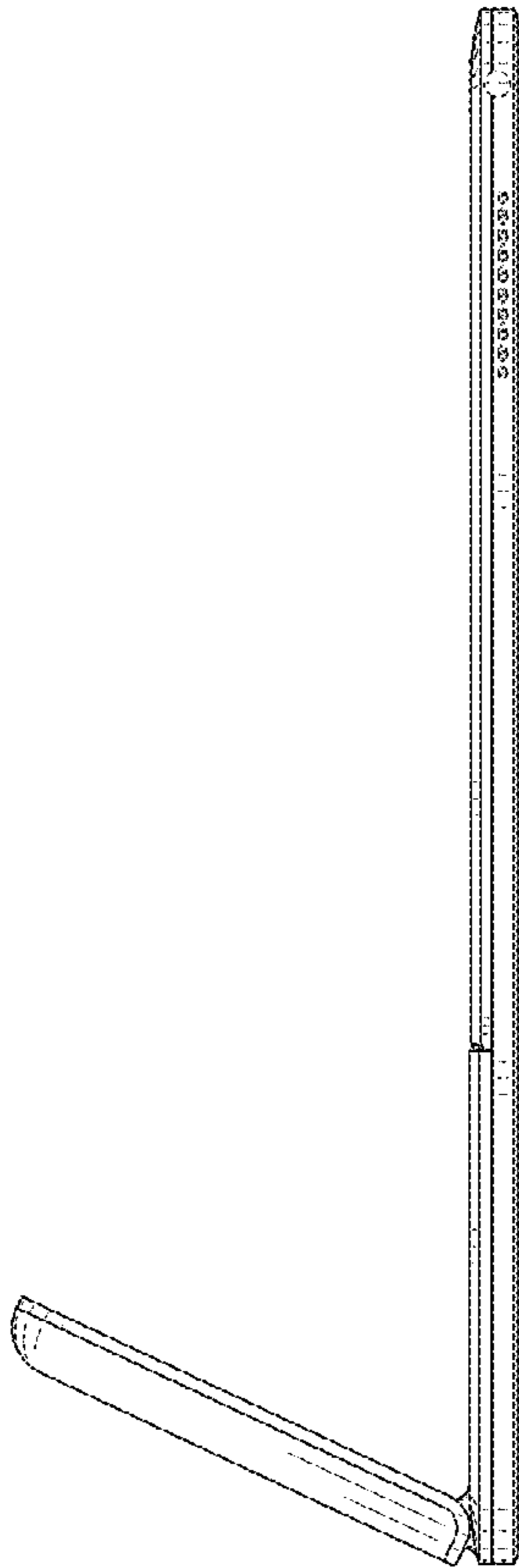


FIG. 5

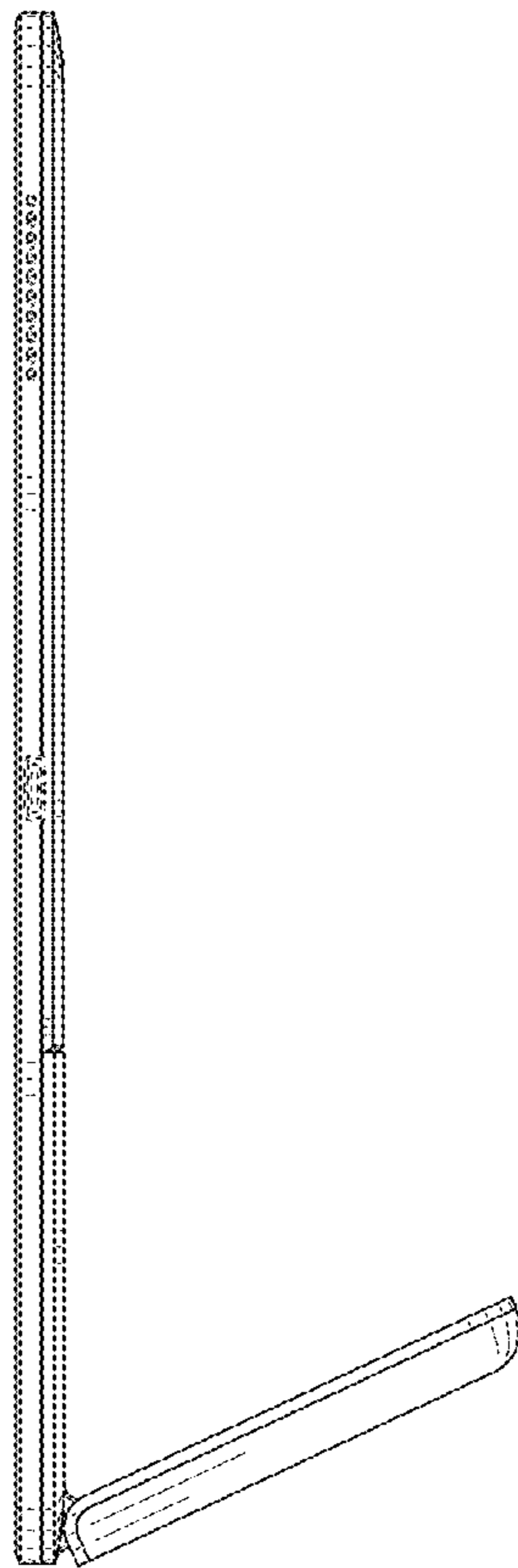


FIG. 6

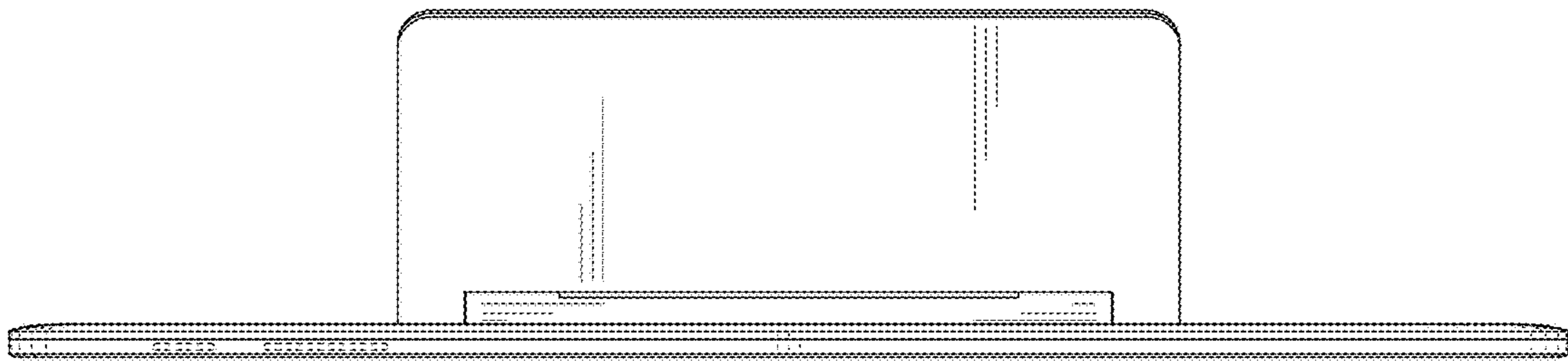


FIG. 7

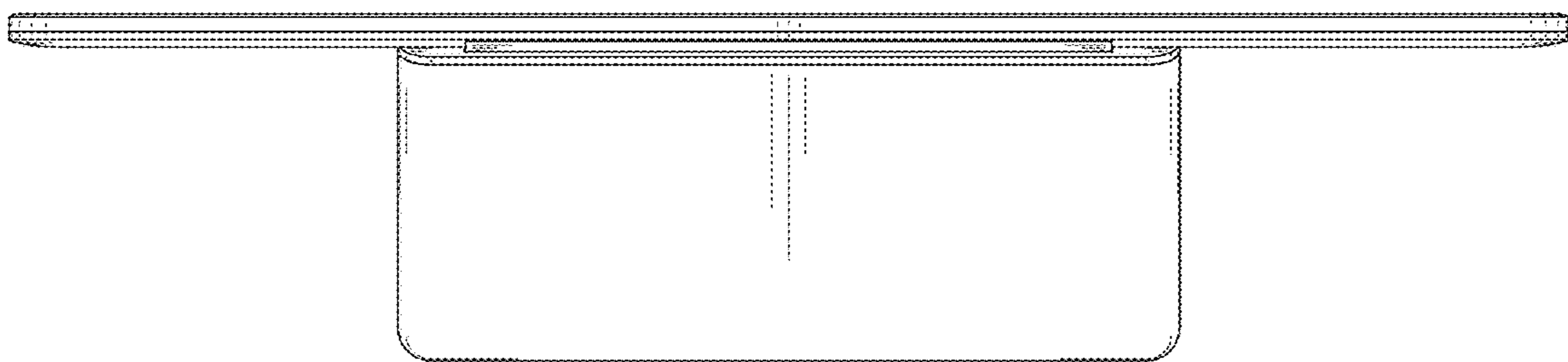


FIG. 8

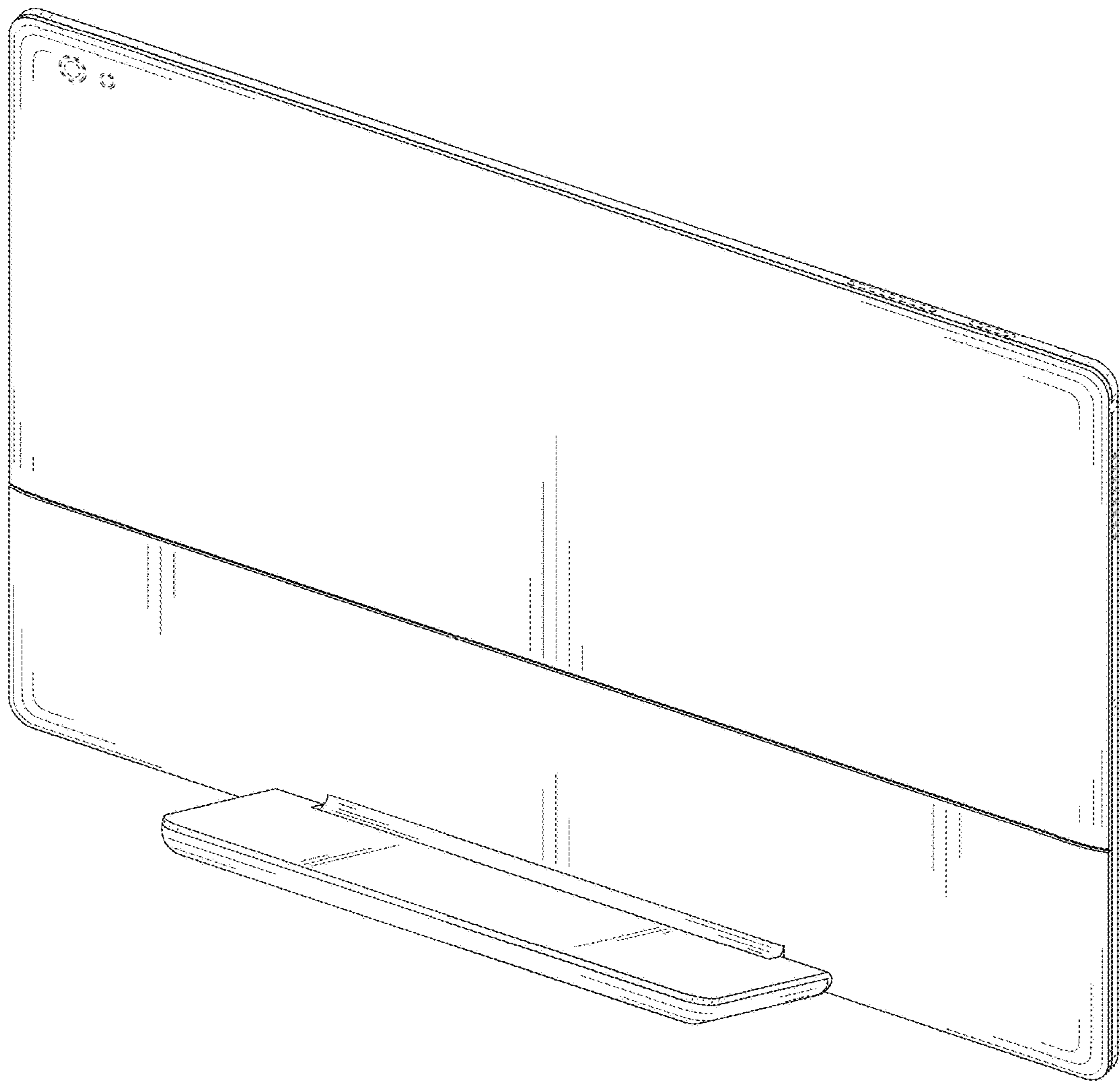


FIG. 9

