



US00D782472S

(12) **United States Design Patent** (10) **Patent No.:** **US D782,472 S**
Tanaka et al. (45) **Date of Patent:** **** Mar. 28, 2017**

(54) **TEACHING PENDANT FOR INDUSTRIAL ROBOTS**

(71) Applicant: **SEIKO EPSON CORPORATION**,
Tokyo (JP)

(72) Inventors: **Toyoki Tanaka**, Okaya (JP); **Katsuji Igarashi**, Chino (JP); **Takeshi Ishikawa**, Azumino (JP)

(73) Assignee: **SEIKO EPSON CORPORATION**,
Tokyo (JP)

(**) Term: **15 Years**

(21) Appl. No.: **29/543,209**

(22) Filed: **Oct. 22, 2015**

(30) **Foreign Application Priority Data**

May 15, 2015 (JP) 2015-010596

(51) **LOC (10) Cl.** **14-02**

(52) **U.S. Cl.**
USPC **D14/341**

(58) **Field of Classification Search**

USPC D14/341-347, 137, 138 R, 138 AA,
D14/138 C, 138 G, 496, 203.1, 203.3,
D14/203.4, 203.7, 129, 130, 147, 218,
D14/248, 389, 388, 426, 420, 440;
D10/65, 104.1; D18/6, 7; D21/324, 329,
D21/330; 455/556.1, 556.2, 566, 575.1,
455/90.3; 379/433.04, 433.01, 433.06,
379/916; 345/173, 901, 905; 361/679.26,
361/670.3, 679.55, 679.56
CPC H04M 1/00; H04M 11/066; H04M 1/2478;
H04M 1/72519; H04M 2201/38; H04M
2250/22; G06F 15/00

See application file for complete search history.

(56) **References Cited**

U.S. PATENT DOCUMENTS

D349,691 S *	8/1994	Takeichi	D14/339
D356,336 S *	3/1995	Mak	D19/113
D359,031 S *	6/1995	Hatano	D14/336
D387,737 S *	12/1997	Mizusugi	D14/346
D390,137 S *	2/1998	Nishimura	D10/65
D415,121 S *	10/1999	Uematsu	D14/328
D457,445 S *	5/2002	Schoenfish	D10/65
D484,131 S *	12/2003	Olson	D14/375
D591,801 S *	5/2009	Mak	D21/469
D594,004 S *	6/2009	Takemasa	D14/341
D627,780 S *	11/2010	Kuroda	D14/346
D638,058 S *	5/2011	Oikawa	D18/50
D644,644 S *	9/2011	Wang	D14/415

(Continued)

Primary Examiner — Garth Rademaker

Assistant Examiner — Katie Stofko Mroczka

(57) **CLAIM**

The ornamental design for a teaching pendant for industrial robots, as shown and described.

DESCRIPTION

FIG. 1 is a front, top, and right side perspective view of a teaching pendant for industrial robots showing our new design;

FIG. 2 is a rear, bottom, and left side perspective view thereof;

FIG. 3 is a front elevational view thereof;

FIG. 4 is a rear elevational view thereof;

FIG. 5 is a top plan view thereof;

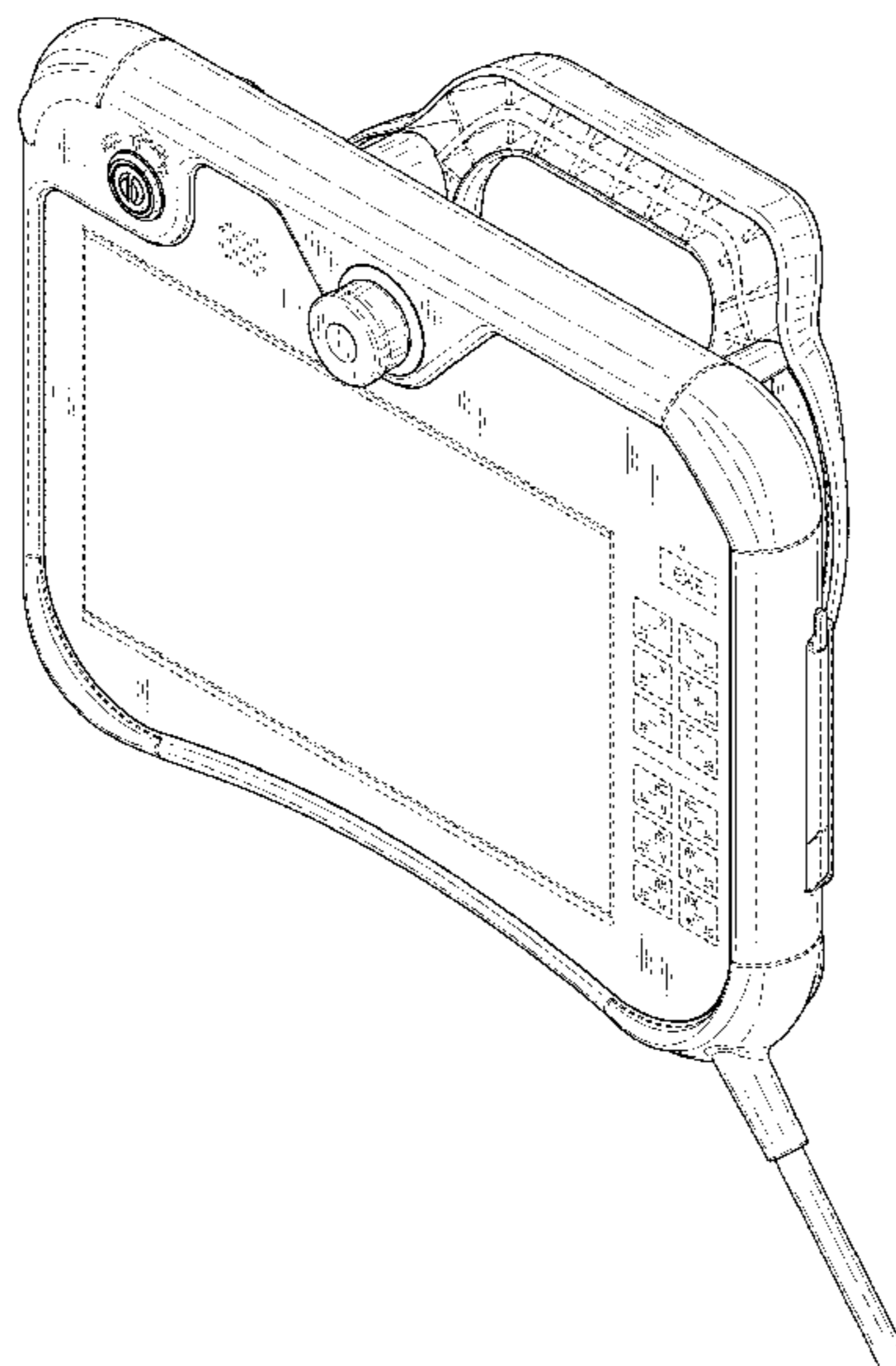
FIG. 6 is a bottom plan view thereof;

FIG. 7 is a right side elevational view thereof; and,

FIG. 8 is a left side elevational view thereof.

The broken lines in FIGS. 1-8 illustrate portions of the teaching pendant for industrial robots that form no part of the claimed design.

1 Claim, 8 Drawing Sheets



(56)

References Cited

U.S. PATENT DOCUMENTS

D689,056 S * 9/2013 Li D14/440
D715,293 S * 10/2014 Li D14/346
D726,559 S * 4/2015 Wingate D10/65

* cited by examiner

Fig.1

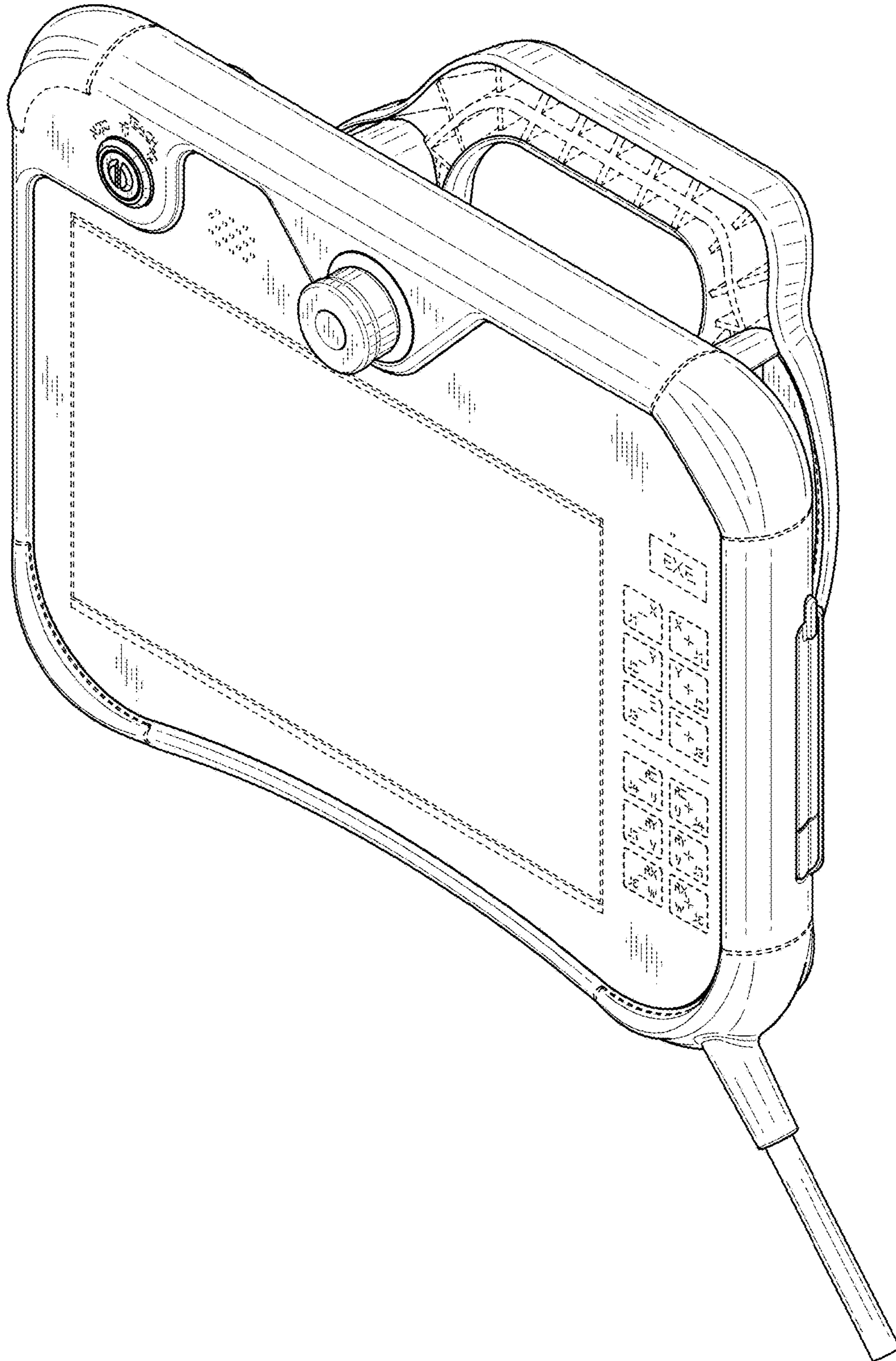


Fig.2

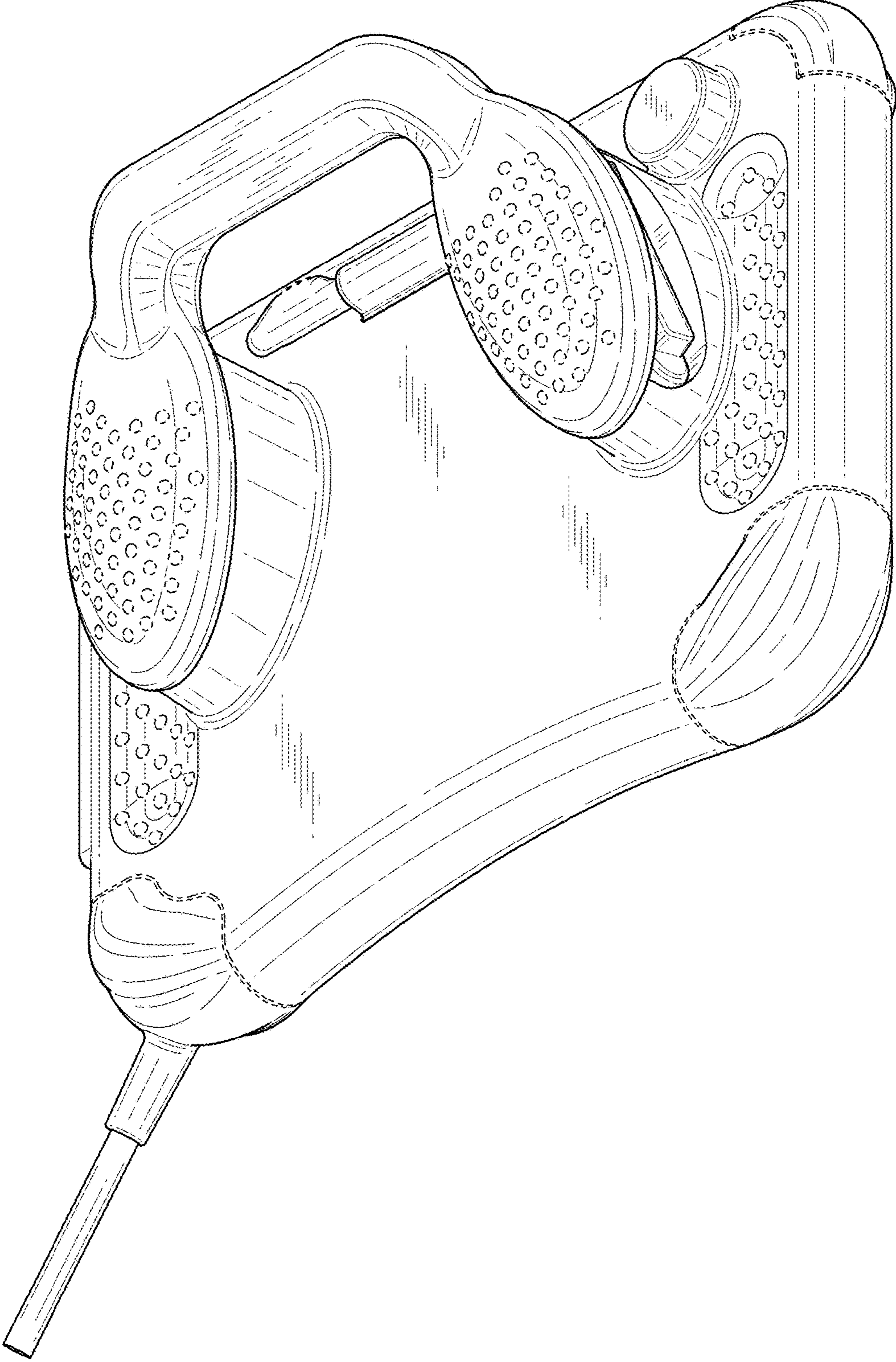


Fig.3

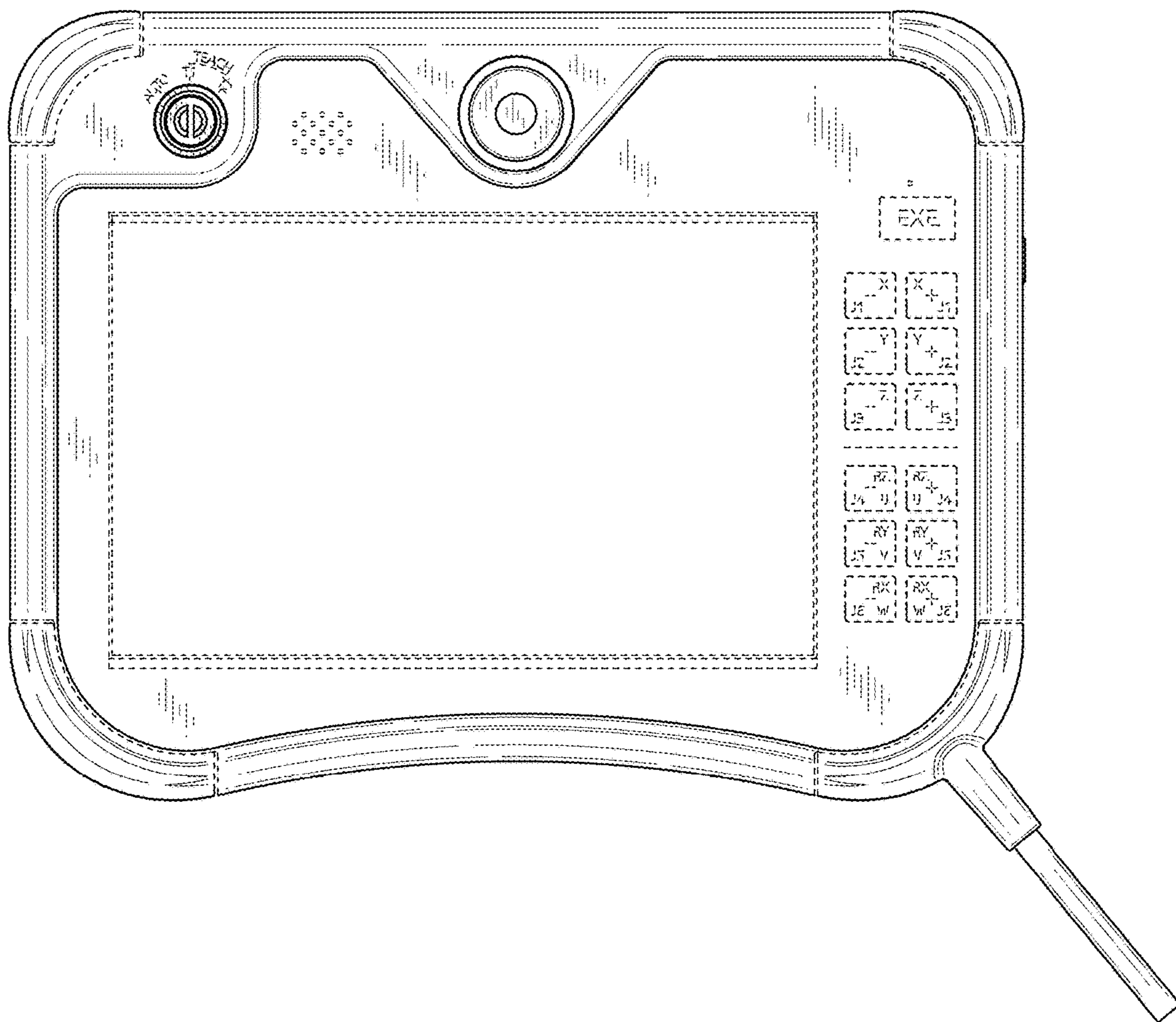


Fig.4

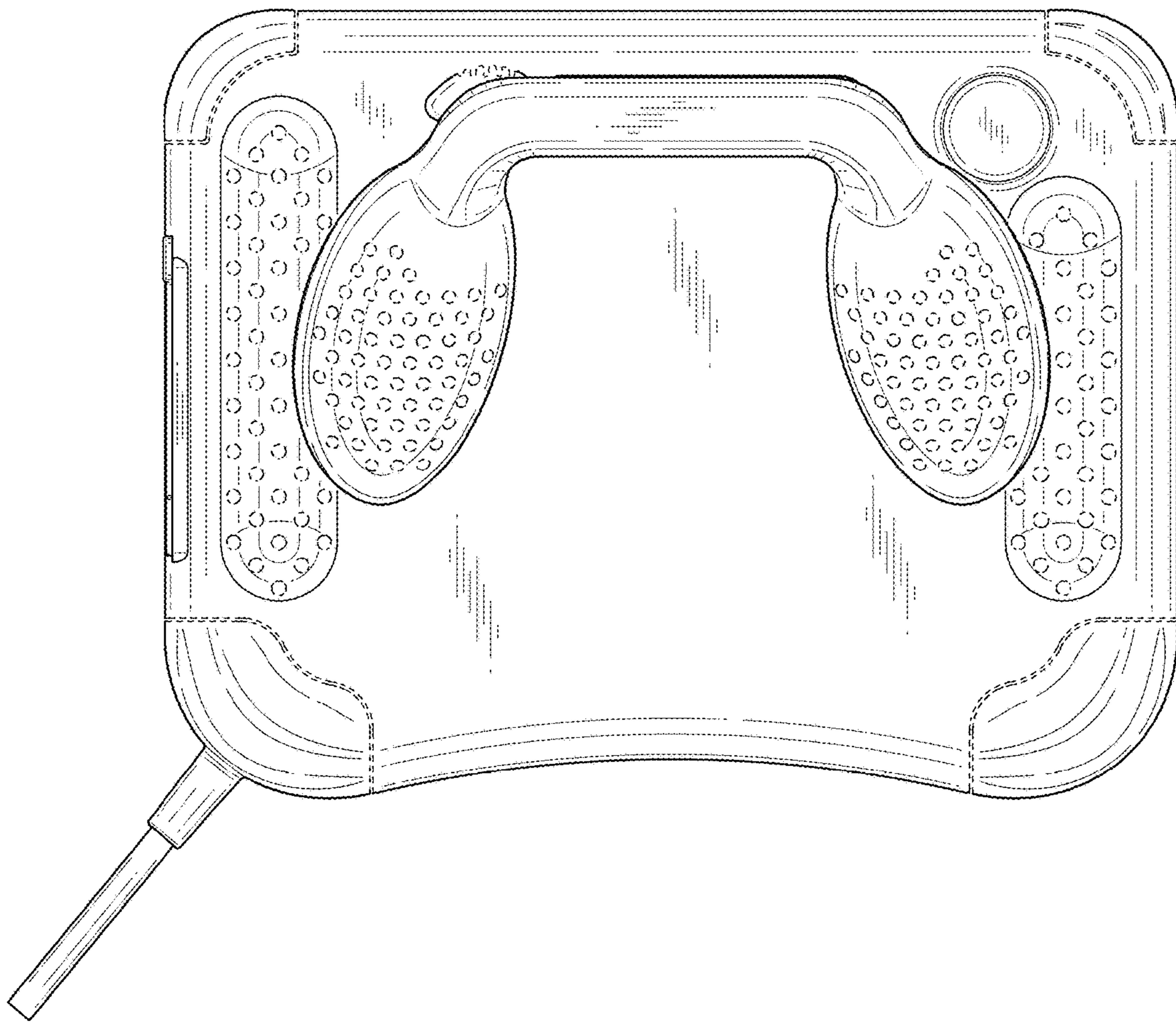


Fig.5

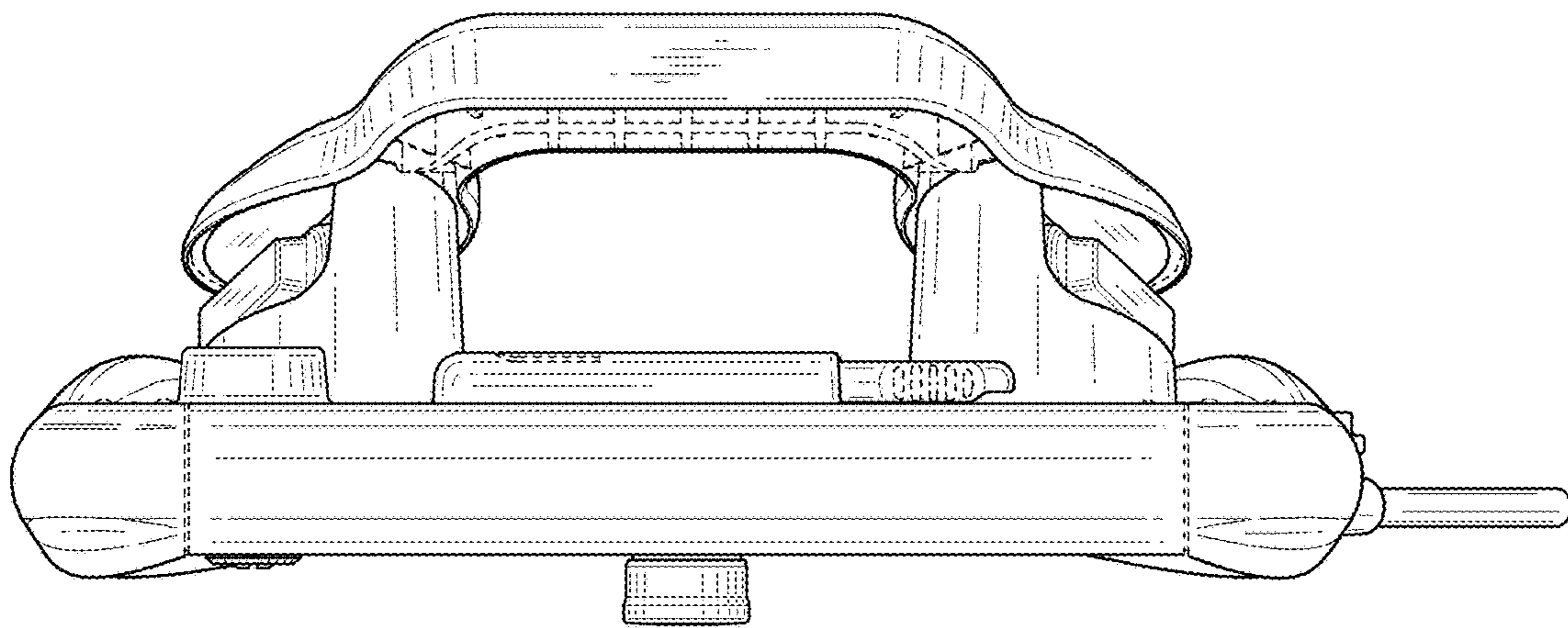


Fig.6

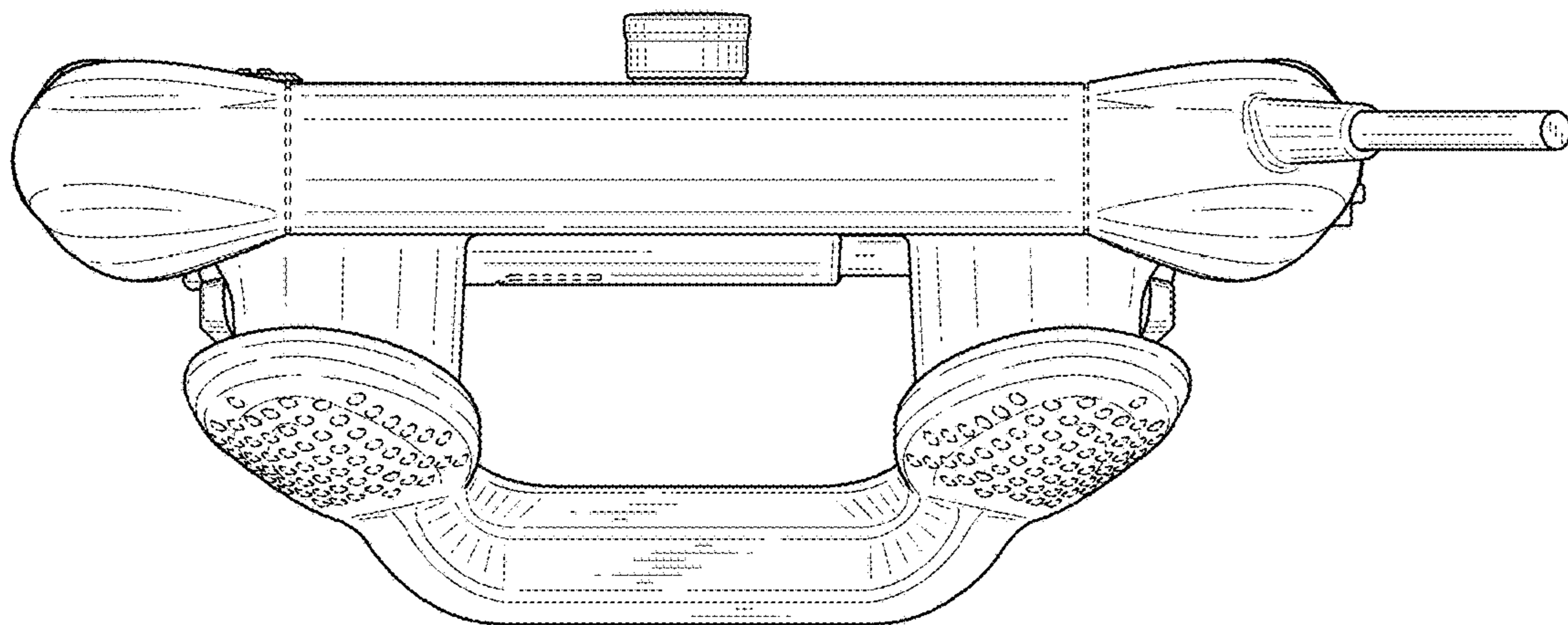


Fig.7

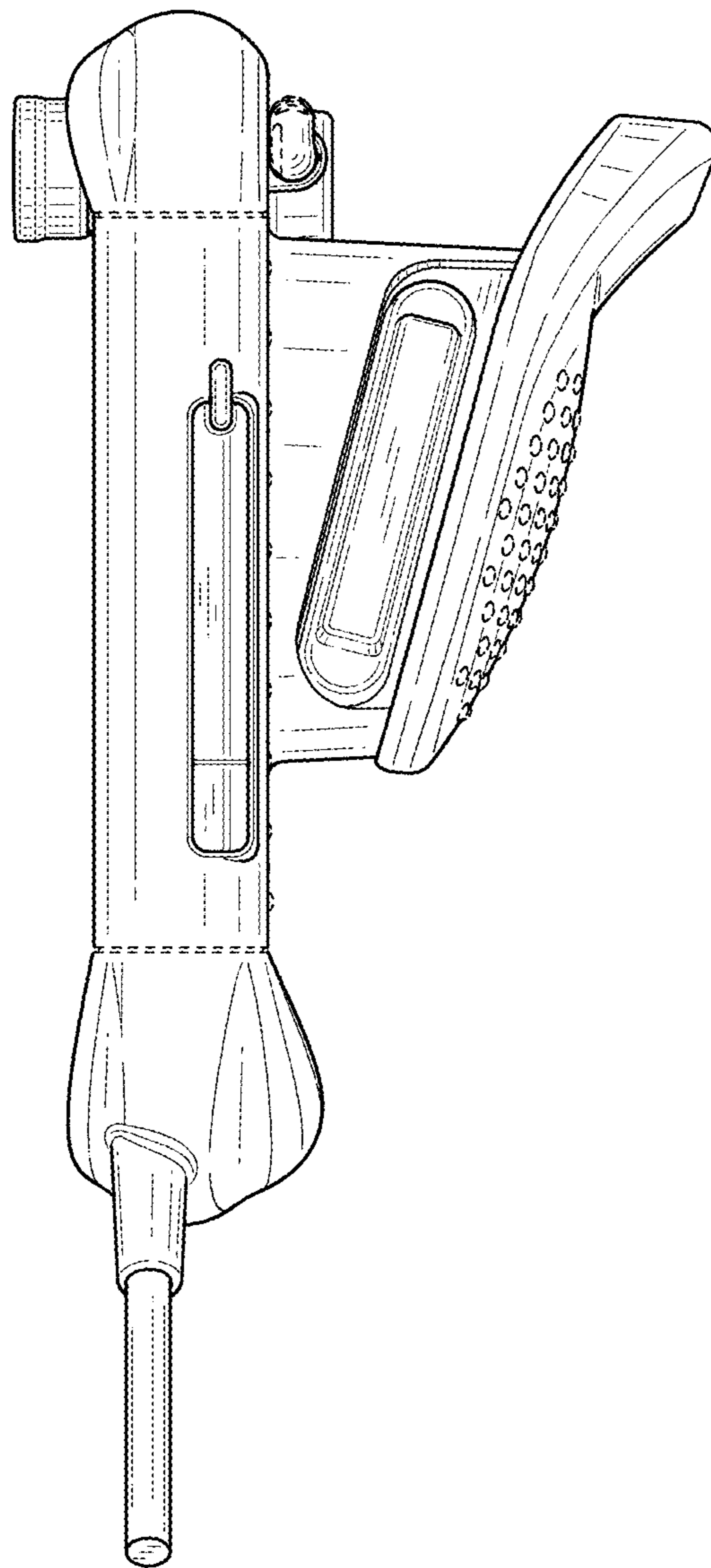


Fig.8

