



US00D782471S

(12) **United States Design Patent**  
**Nuk et al.**

(10) **Patent No.:** **US D782,471 S**  
(45) **Date of Patent:** **\*\* Mar. 28, 2017**

(54) **ELECTRONIC DEVICE**

(71) Applicant: **Samsung Electronics Co., Ltd.**,  
Suwon-si (KR)  
(72) Inventors: **Howard Nuk**, San Francisco, CA (US);  
**Jinseok Hwang**, Walnut Creek, CA  
(US); **Alex Millie**, San Francisco, CA  
(US); **Seounghyun Son**, San Francisco,  
CA (US); **Jeffrey Jones**, San Francisco,  
CA (US); **Jiyeon Lee**, Emeryville, CA  
(US)

(73) Assignee: **SAMSUNG ELECTRONICS CO.,  
LTD.**, Suwon-si (KR)

(\*\*) Term: **15 Years**

(21) Appl. No.: **29/538,455**

(22) Filed: **Sep. 3, 2015**

(51) **LOC (10) Cl.** ..... **14-02**

(52) **U.S. Cl.**  
USPC ..... **D14/341**

(58) **Field of Classification Search**  
USPC ..... D14/341-347, 137, 138 R, 138 AA,  
D14/138 C, 138 G, 496, 203.1, 203.3,  
D14/203.4, 203.7, 129, 130, 147, 218,  
D14/248, 389, 388, 426, 420, 440;  
D10/65, 104.1; D18/6, 7; D21/324, 329,  
D21/330; 455/556.1, 556.2, 566, 575.1,  
455/90.3; 379/433.04, 433.01, 433.06,  
379/916; 345/173, 901, 905; 361/679.26,  
361/670.3, 679.55, 679.56  
CPC .... H04M 1/00; H04M 11/066; H04M 1/2478;  
H04M 1/72519; H04M 2201/38; H04M  
2250/22; G06F 15/00

See application file for complete search history.

(56) **References Cited**

U.S. PATENT DOCUMENTS

D509,508 S *	9/2005	Ko	.....	D14/420
D512,065 S *	11/2005	Ko	.....	D14/420
D558,460 S *	1/2008	Yu	.....	D14/341
D585,399 S *	1/2009	Hwang	.....	D14/130
D592,625 S *	5/2009	Hwang	.....	D14/130

(Continued)

FOREIGN PATENT DOCUMENTS

EM	001012082-0005	1/2009
KR	30-0697159	6/2013

*Primary Examiner* — Garth Rademaker  
*Assistant Examiner* — Katie Stofko Mrocicka  
(74) *Attorney, Agent, or Firm* — McAndrews Held &  
Malloy, Ltd.

(57) **CLAIM**

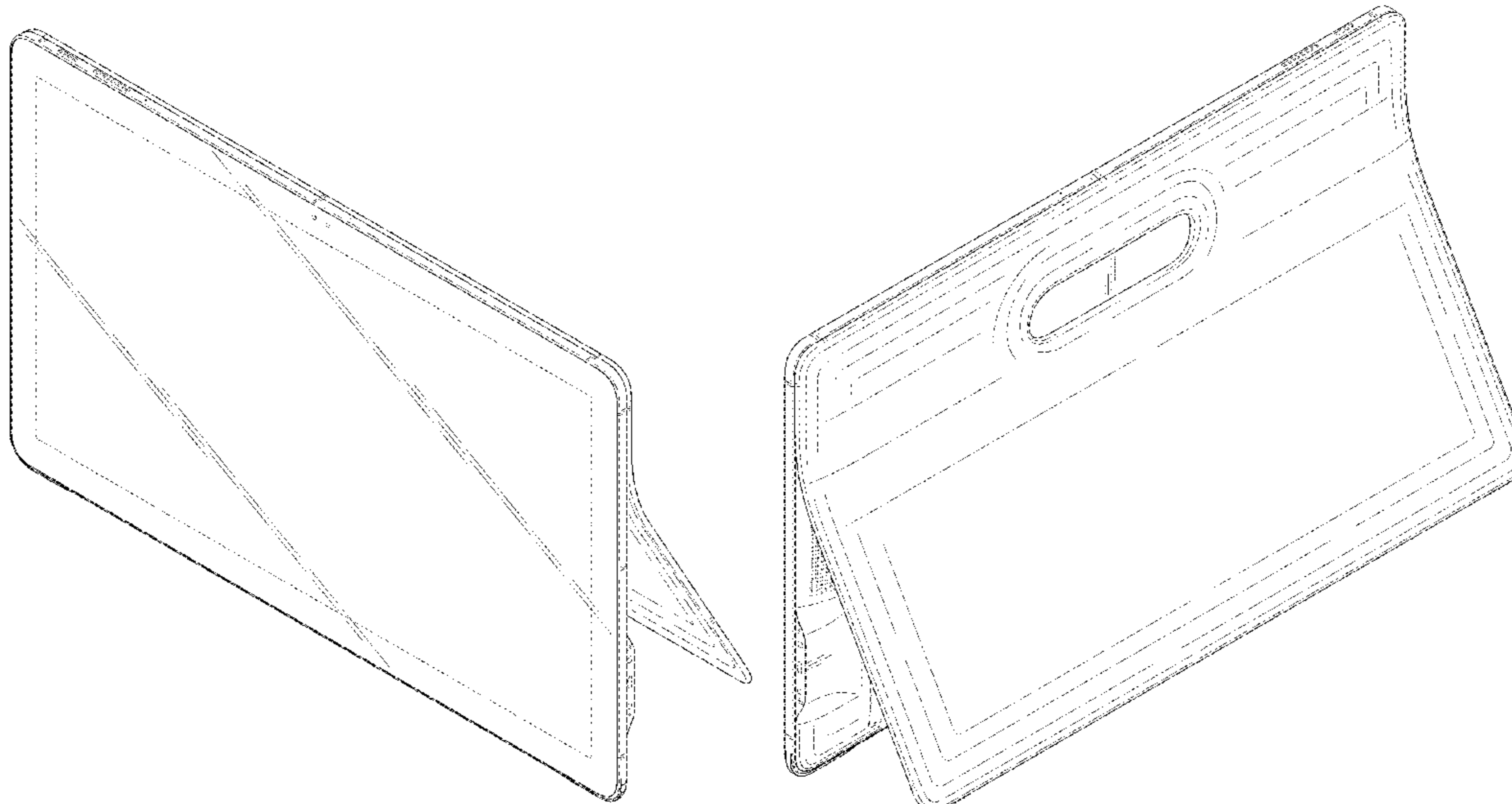
The ornamental design for an electronic device, as shown  
and described.

**DESCRIPTION**

FIG. 1 is a front perspective view of an electronic device  
showing our new design;  
FIG. 2 is a front elevation view thereof;  
FIG. 3 is a rear elevation view thereof;  
FIG. 4 is a left-side elevation view thereof;  
FIG. 5 is a right-side elevation view thereof;  
FIG. 6 is a top plan view thereof;  
FIG. 7 is a bottom plan view thereof;  
FIG. 8 is a rear perspective view thereof; and,  
FIG. 9 is an enlarged view of the encircled portion of FIG.  
4.

The dashed broken lines depict portions of the electronic  
device that form no part of the claimed design.  
The dot-dash broken lines encircling portions of the claimed  
design that are illustrated in enlargements form no part of the  
claimed design.

**1 Claim, 7 Drawing Sheets**



(56)

**References Cited**

U.S. PATENT DOCUMENTS

D615,527 S *	5/2010	Hwang .....	D14/203.7
D638,836 S *	5/2011	Daniel .....	D14/341
D652,834 S *	1/2012	Jones .....	D14/434
D678,877 S	3/2013	Groene et al.	
D705,778 S *	5/2014	Groene .....	D14/341
D741,319 S *	10/2015	Yun .....	D14/341
D754,655 S *	4/2016	Groene .....	D14/341
9,405,324 B2 *	8/2016	Rider .....	G06F 1/1677
2004/0201871 A1 *	10/2004	Risheq .....	G06F 1/1618 358/474

\* cited by examiner

FIG. 1

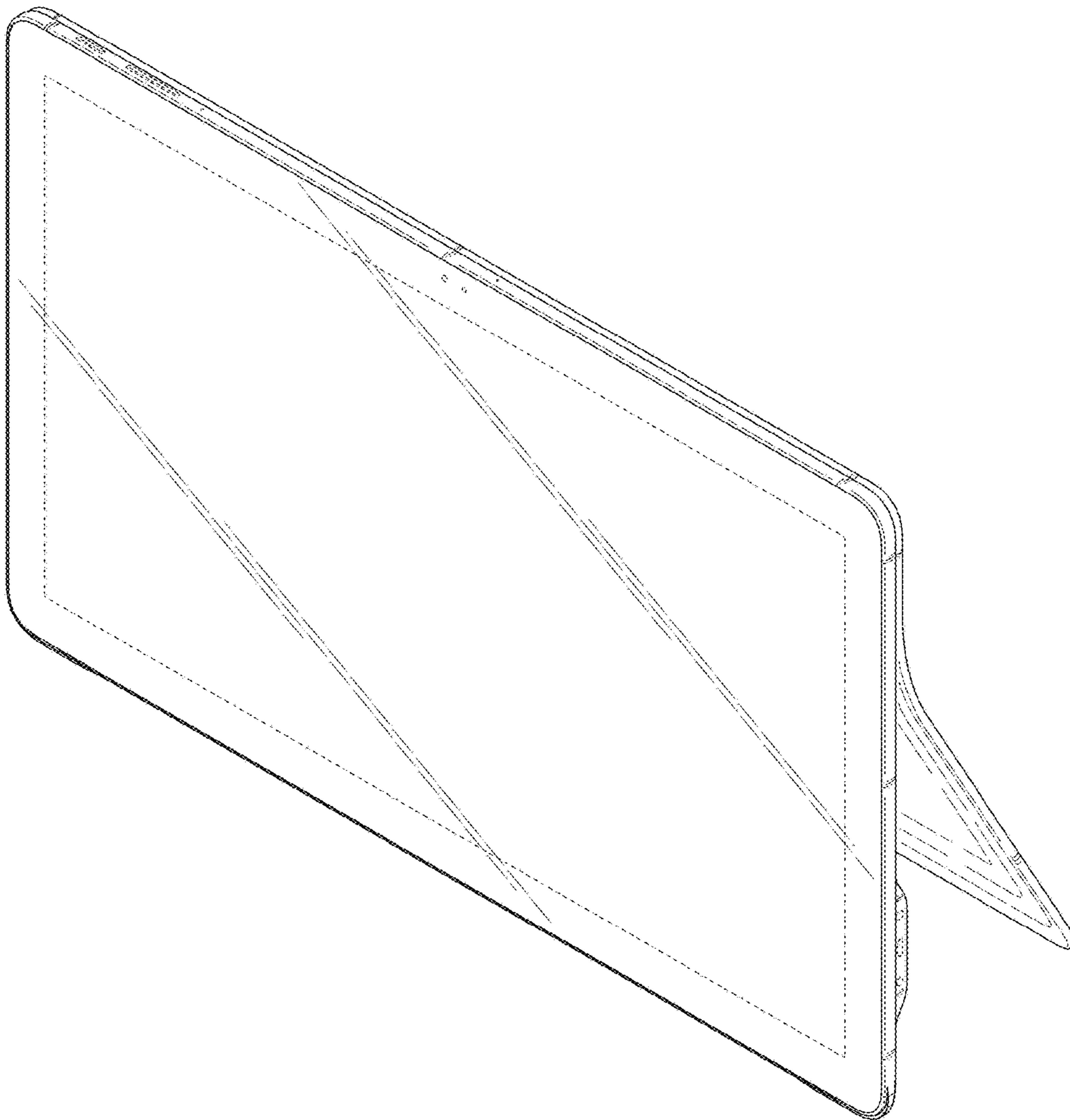


FIG. 2

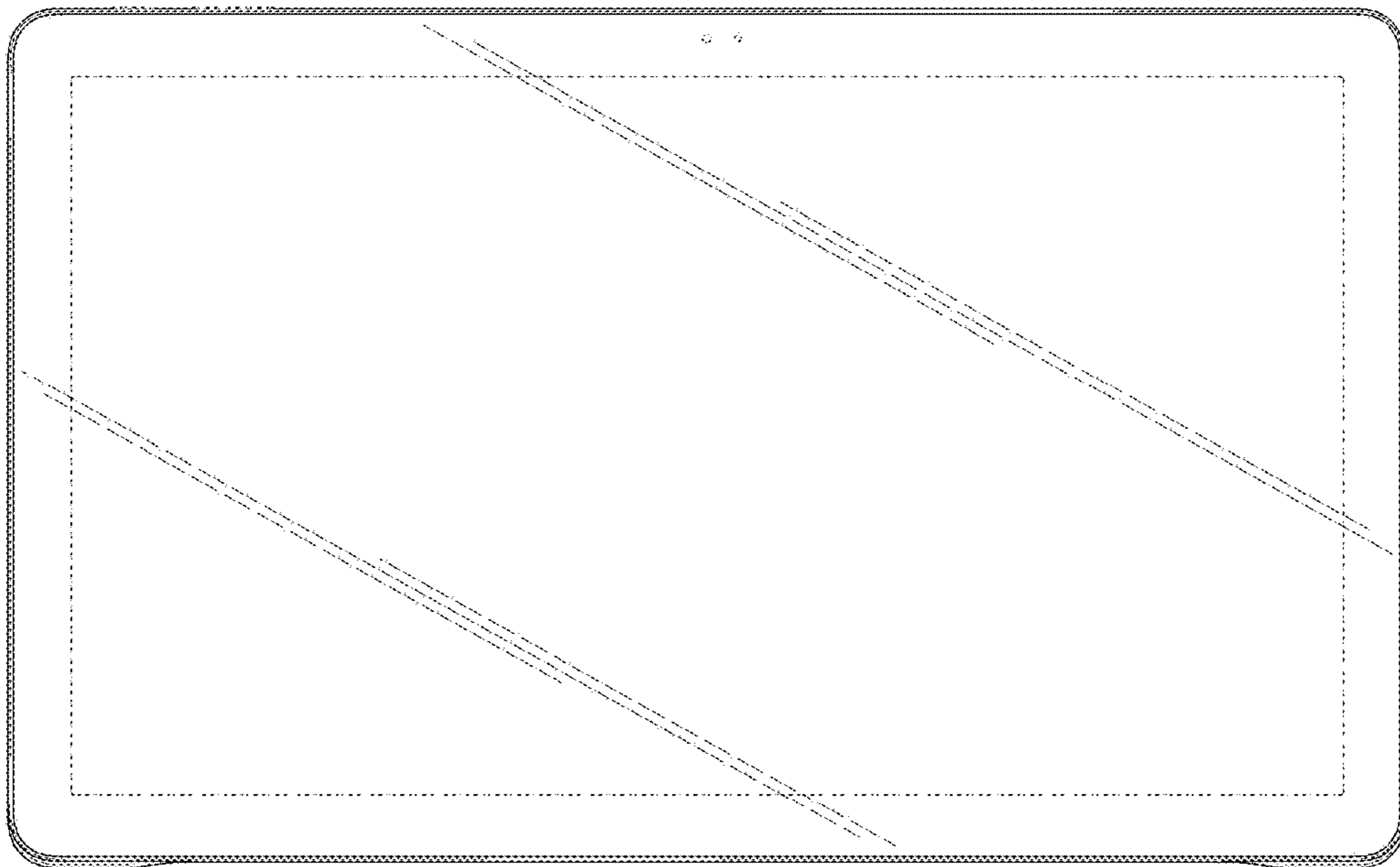


FIG. 3

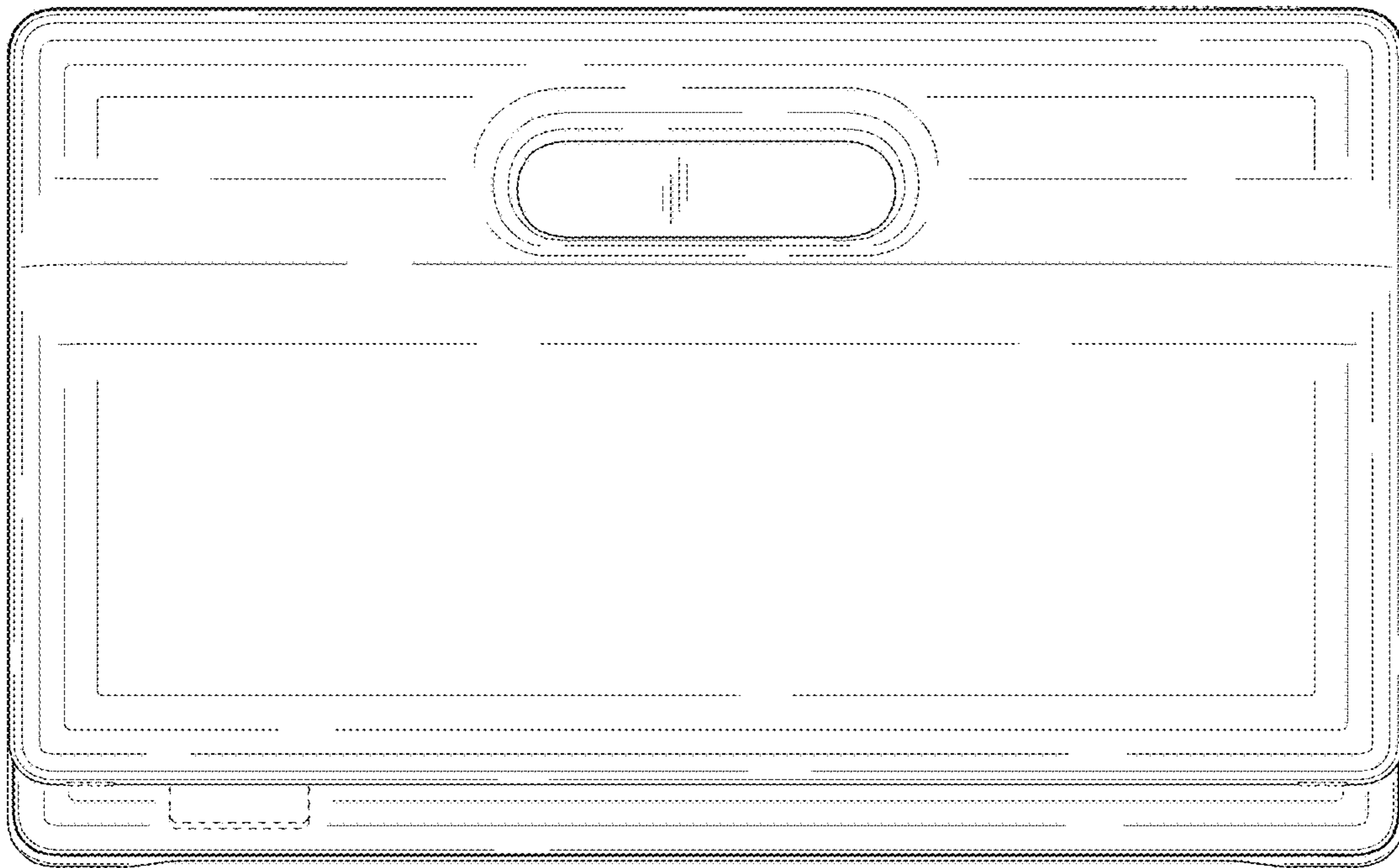


FIG. 4

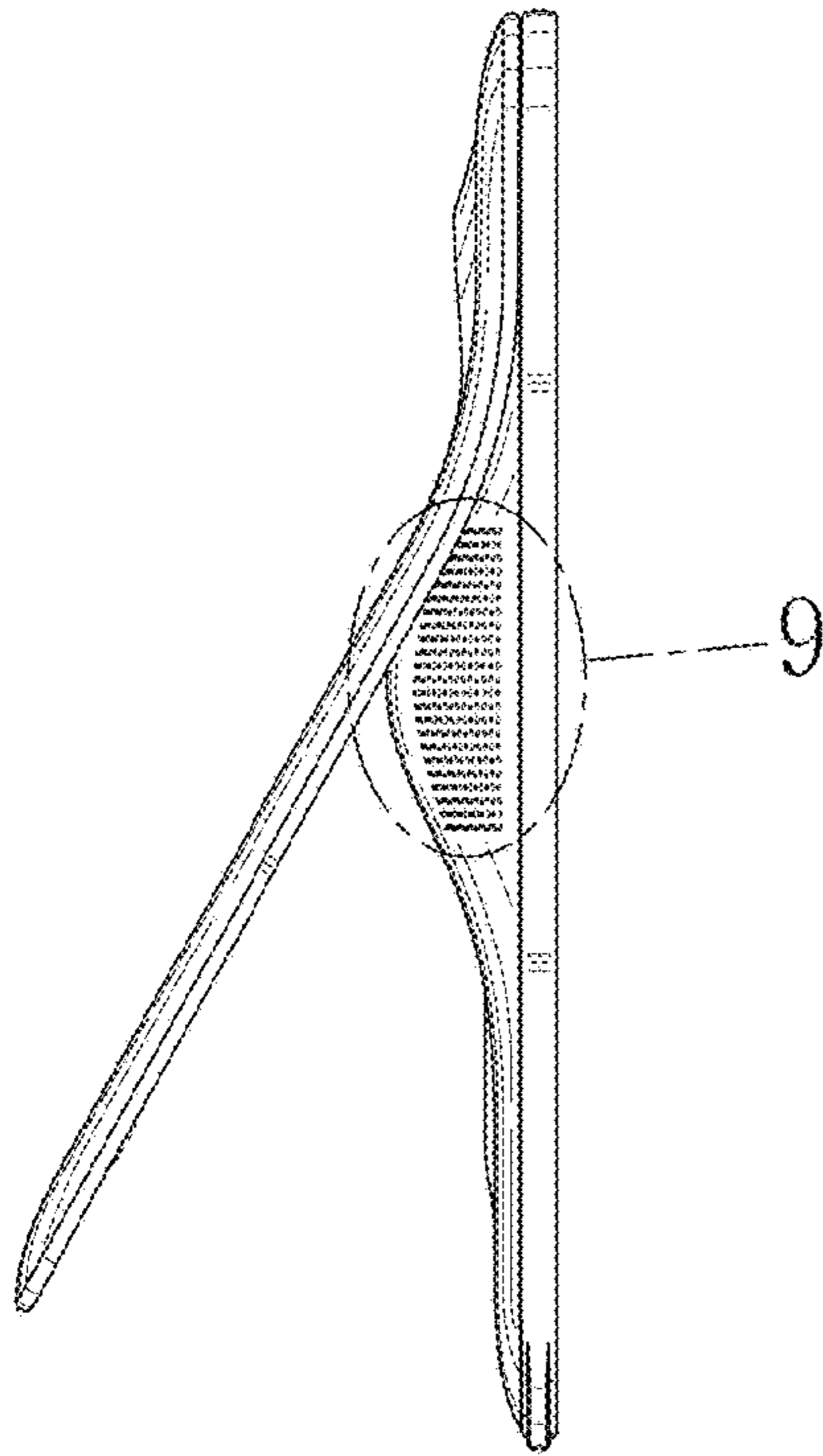


FIG. 5

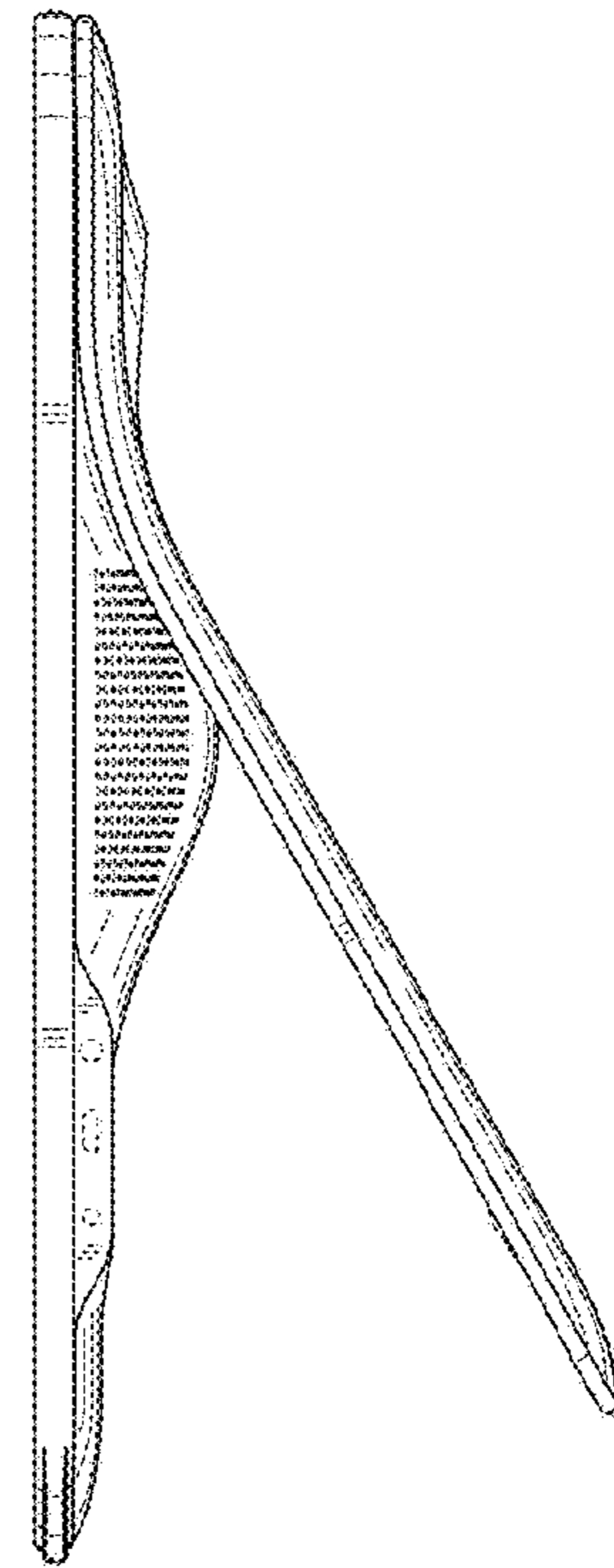


FIG. 6

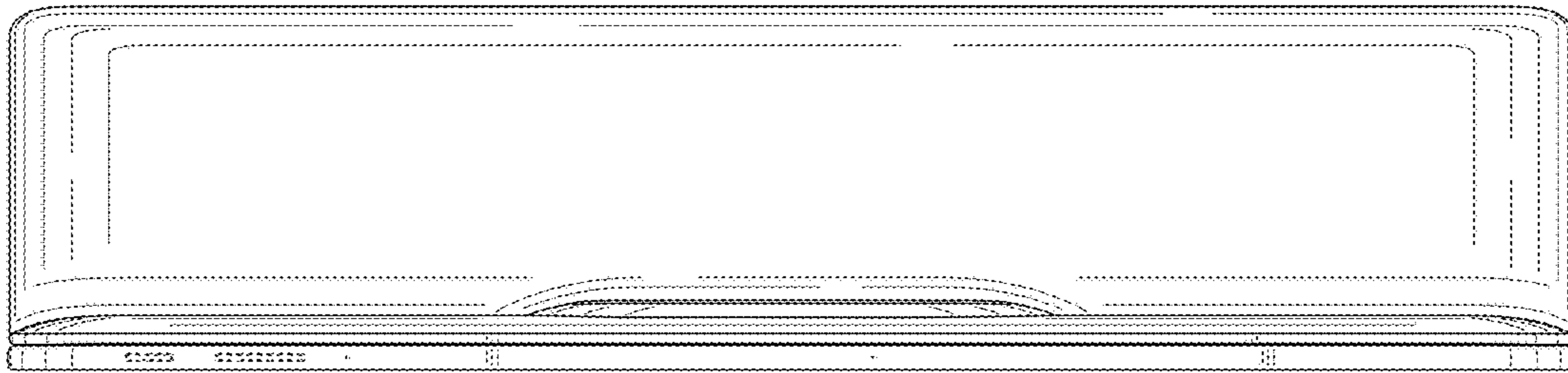


FIG. 7

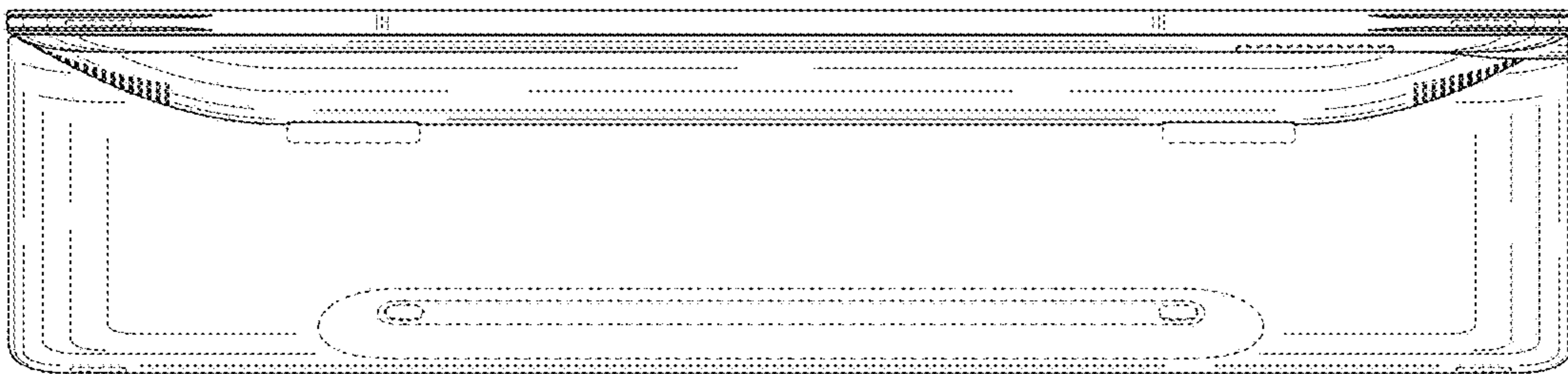


FIG. 8

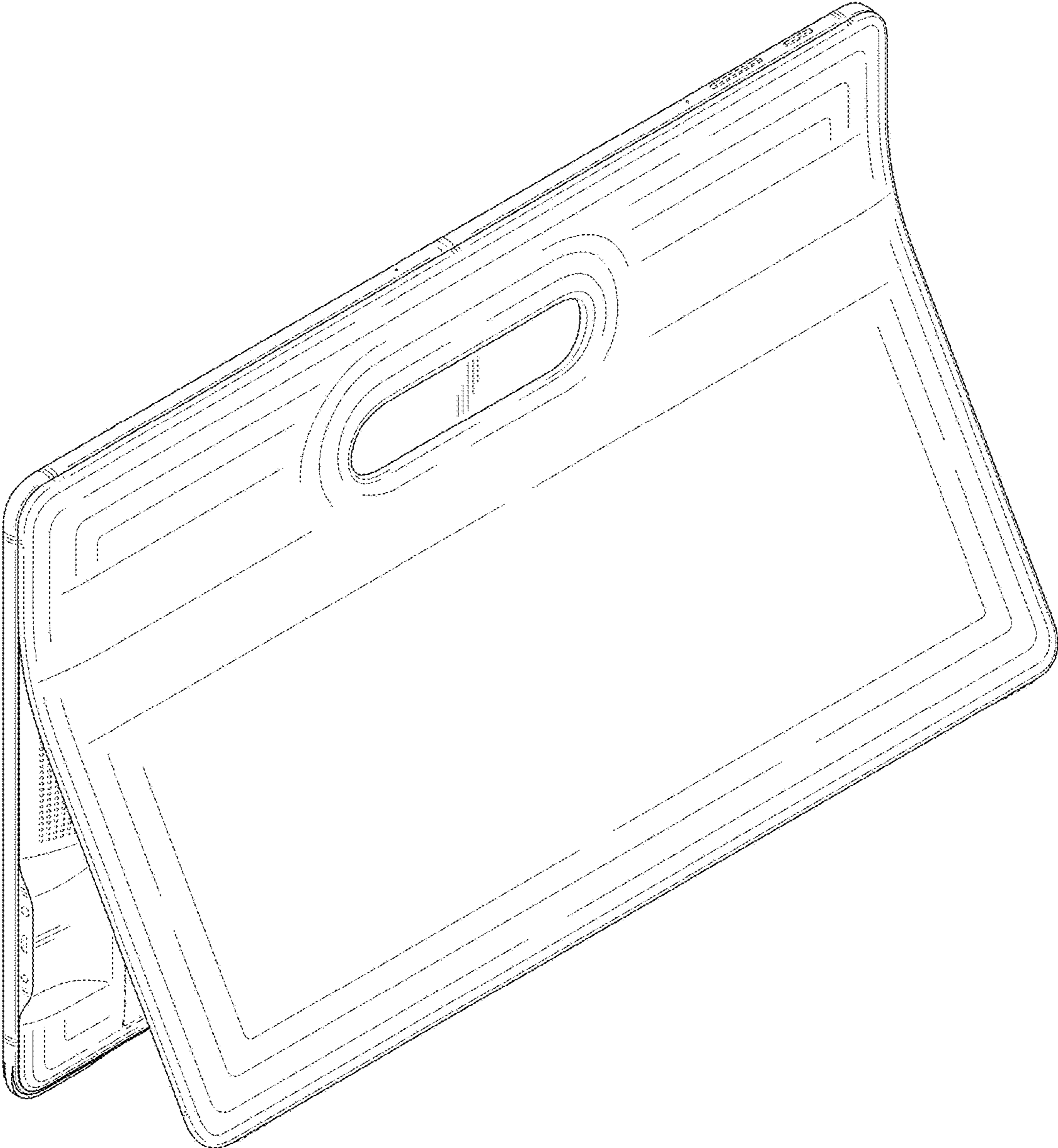




FIG. 9

