



US00D782470S

(12) **United States Design Patent**
Raken et al.

(10) **Patent No.:** **US D782,470 S**
(45) **Date of Patent:** **** *Mar. 28, 2017**

(54) **ELECTRONIC TABLET**

(71) Applicant: **Microsoft Corporation**, Redmond, WA (US)

(72) Inventors: **Jan Raken**, Seattle, WA (US); **Timothy Escolin**, Seattle, WA (US)

(73) Assignee: **Microsoft Corporation**, Redmond, WA (US)

(*) Notice: This patent is subject to a terminal disclaimer.

(**) Term: **14 Years**

(21) Appl. No.: **29/522,402**

(22) Filed: **Mar. 30, 2015**

(51) **LOC (10) Cl.** **14-02**

(52) **U.S. Cl.**
USPC **D14/341**

(58) **Field of Classification Search**
USPC D14/253, 440, 203.1, 203.4, 203.7,
D14/341-347, 337, 374, 138, 138 AB,
(Continued)

(56) **References Cited**

U.S. PATENT DOCUMENTS

D278,272 S 4/1985 Kojima et al.
D284,084 S 6/1986 Ferrara, Jr.
(Continued)

FOREIGN PATENT DOCUMENTS

EM 001050264-0002 3/2008
EM 001911983 2/2011
(Continued)

OTHER PUBLICATIONS

Feb. 16, 2016—(JP) Official Notice of Reasons of the Rejection—
Design App 2015-021350—Eng Tran.
(Continued)

Primary Examiner — Barbara Fox
Assistant Examiner — Dana K Weiland
(74) *Attorney, Agent, or Firm* — Banner & Witcoff, Ltd.

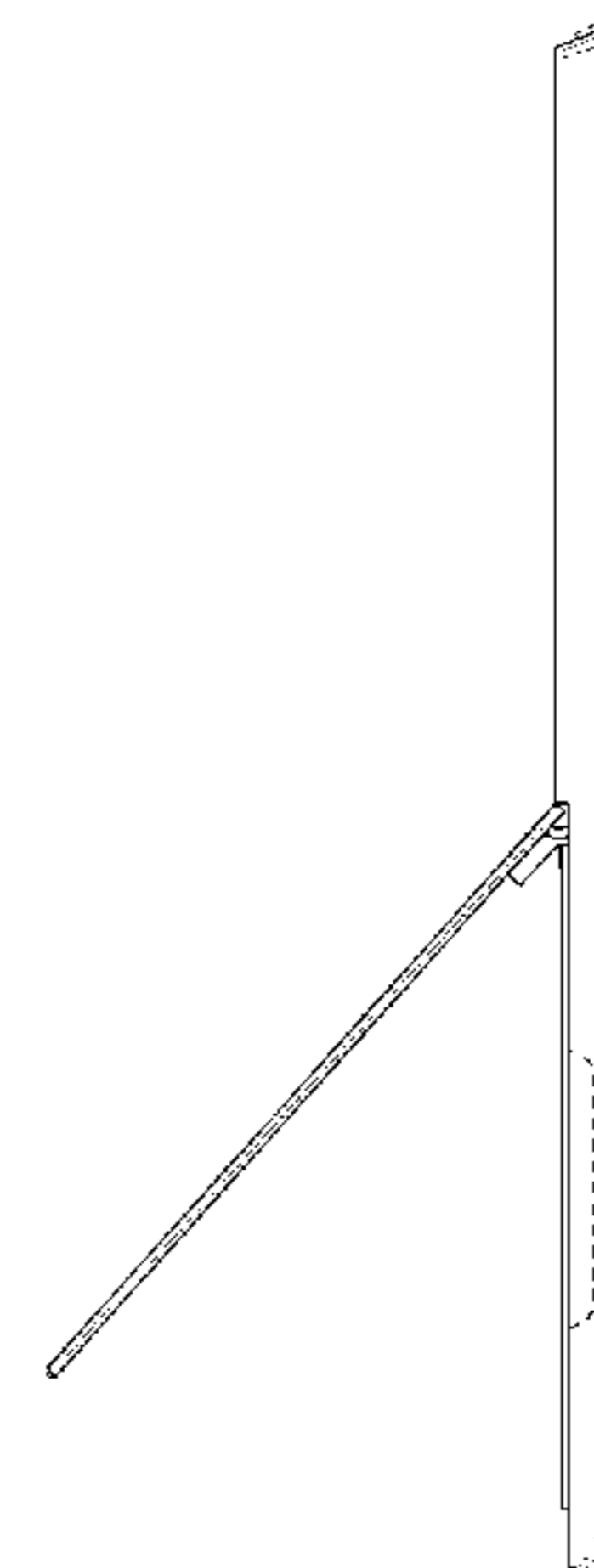
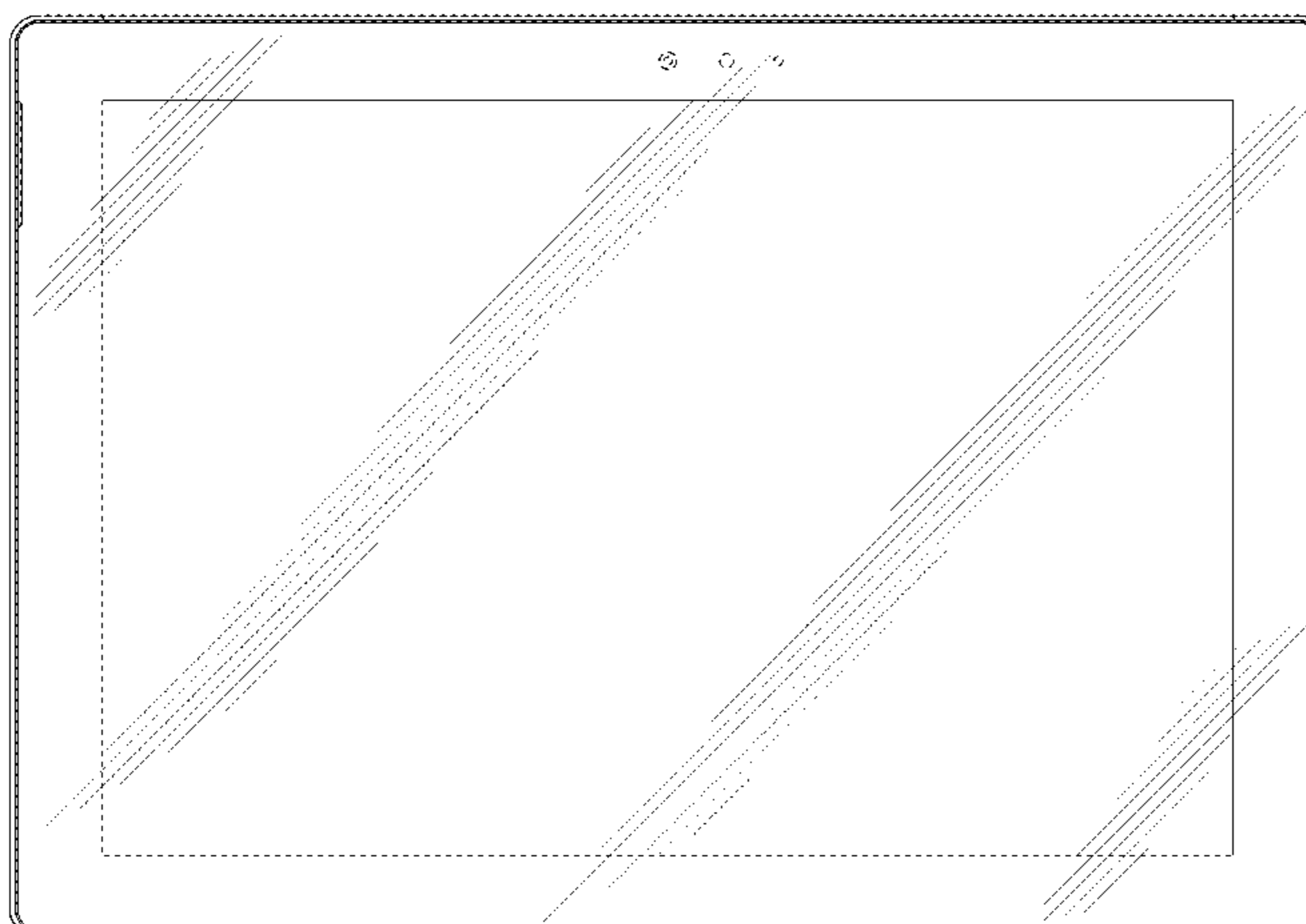
(57) **CLAIM**

The ornamental design for an electronic tablet, as shown and described.

DESCRIPTION

FIG. 1 is a front perspective view of an electronic tablet showing our new design;
FIG. 2 is a front view thereof;
FIG. 3 is a rear view thereof;
FIG. 4 is a right side view thereof;
FIG. 5 is a left side view thereof;
FIG. 6 is a top view thereof;
FIG. 7 is a bottom view thereof;
FIG. 8 is a front perspective view of the electronic tablet of FIGS. 1-7 shown in an open configuration;
FIG. 9 is a rear perspective view thereof;
FIG. 10 is a front view thereof;
FIG. 11 is a rear view thereof;
FIG. 12 is a right side view thereof;
FIG. 13 is a left side view thereof;
FIG. 14 is a top view thereof;
FIG. 15 is a bottom view thereof;
FIG. 16 is a front perspective view of an alternative embodiment of our new design;
FIG. 17 is a front view thereof;
FIG. 18 is a rear view thereof;
FIG. 19 is a right side view thereof;
FIG. 20 is a left side view thereof;
FIG. 21 is a top view thereof;
FIG. 22 is a bottom view thereof;
FIG. 23 is a front perspective view thereof of the electronic tablet of FIGS. 16-22 shown in an open configuration;
FIG. 24 is a rear perspective view thereof;
FIG. 25 is a front view thereof;
FIG. 26 is a rear view thereof;
FIG. 27 is a right side view thereof;
FIG. 28 is a left side view thereof;
FIG. 29 is a top view thereof; and
FIG. 30 is a bottom view thereof.

(Continued)



The broken lines shown in the drawings illustrate portions of the electronic tablet that form part of the claimed design.

1 Claim, 22 Drawing Sheets

(58) Field of Classification Search

USPC D14/496, 447, 315, 316; D10/65;
D21/329, 330; D6/310
CPC G06F 3/016; G06F 3/0202; G06F 3/04845;
G06F 13/385; H04N 17/00; H04N 5/30;
H04N 5/66; H04N 5/2251; H04M 1/0214
See application file for complete search history.

(56) References Cited

U.S. PATENT DOCUMENTS

5,128,662	A	7/1992	Faila	
D333,574	S	3/1993	Ackeret	
D356,548	S	3/1995	Bottcher et al.	
D426,548	S	6/2000	Oross et al.	
D451,096	S	11/2001	Redmond	
D451,505	S	12/2001	Iseki et al.	
D492,684	S	7/2004	Ozolins et al.	
D500,037	S	12/2004	Ozolins et al.	
D502,703	S	3/2005	Tsujimoto et al.	
6,882,524	B2	4/2005	Ulla et al.	
D504,889	S	5/2005	Andre et al.	
D533,552	S	12/2006	Kuroiwa et al.	
D543,979	S	6/2007	Lee	
7,299,580	B2	11/2007	Wang et al.	
D557,259	S	12/2007	Hirsch	
D558,460	S	1/2008	Yu et al.	
7,342,776	B1	3/2008	Chan	
D579,930	S	11/2008	Maskatia	
D579,939	S	11/2008	Skillman et al.	
D584,304	S	1/2009	Lin	
D585,399	S	1/2009	Hwang	
D585,401	S	1/2009	Otani	
D592,625	S *	5/2009	Hwang	D14/130
D601,353	S	10/2009	Sadler et al.	
D603,398	S	11/2009	Watson et al.	
D606,081	S	12/2009	Parker et al.	
D606,082	S	12/2009	Parker et al.	
D606,083	S	12/2009	Parker et al.	
D609,705	S	2/2010	Andre et al.	
D613,286	S	4/2010	Lee et al.	
D615,527	S	5/2010	Hwang	
D616,448	S	5/2010	Skillman et al.	
D617,793	S	6/2010	Chiang et al.	
D622,240	S	8/2010	Liu et al.	
D627,343	S	11/2010	Andre et al.	
D627,777	S	11/2010	Akana et al.	
D627,779	S	11/2010	Liao	
D628,569	S	12/2010	Guo	
D629,216	S	12/2010	Stoddard	
D629,800	S	12/2010	Seong	
D630,207	S	1/2011	Seong	
D630,607	S	1/2011	Li	
D631,469	S	1/2011	Demskie et al.	
D631,474	S	1/2011	Green et al.	
D632,687	S	2/2011	Seong	
D632,688	S	2/2011	Seong	
D633,090	S	2/2011	Andre et al.	
D633,091	S	2/2011	Andre et al.	
D636,768	S	4/2011	Chan et al.	
D636,770	S	4/2011	Li	
D637,596	S	5/2011	Akana et al.	
D637,597	S	5/2011	Seong	
D638,419	S	5/2011	Ishiharada	
D638,833	S	5/2011	Chuang	

D638,836	S	5/2011	Daniel	
D639,266	S	6/2011	DeLorenzo et al.	
D641,016	S	7/2011	Takahashi	
D641,017	S	7/2011	Meng	
D641,018	S	7/2011	Lee et al.	
D642,563	S	8/2011	Akana et al.	
D645,465	S	9/2011	Lin et al.	
D646,902	S	10/2011	Woo et al.	
D649,190	S	11/2011	Goodall	
D650,380	S	12/2011	Ballout	
D652,418	S	1/2012	Rashid et al.	
D653,645	S	2/2012	Park	
D654,074	S	2/2012	Wood et al.	
D654,497	S	2/2012	Lee	
D655,704	S	3/2012	Akana et al.	
D656,136	S	3/2012	Lee	
D656,137	S	3/2012	Chung et al.	
D659,139	S	5/2012	Gengler	
D659,692	S	5/2012	Jung et al.	
D663,281	S	7/2012	Hwang	
D664,540	S	7/2012	Kim et al.	
D664,954	S	8/2012	Kim et al.	
D665,370	S	8/2012	Chung	
D667,397	S	9/2012	Koh	
D667,398	S	9/2012	Koh	
D667,399	S	9/2012	Koh	
D667,825	S	9/2012	Jung	
D668,650	S	10/2012	Han	
D668,651	S	10/2012	Kim et al.	
D669,069	S	10/2012	Akana et al.	
D669,468	S	10/2012	Akana et al.	
D670,286	S	11/2012	Akana et al.	
D670,692	S	11/2012	Akana et al.	
D671,514	S	11/2012	Kim et al.	
D671,940	S	12/2012	Kim	
D675,203	S	1/2013	Yang	
D677,660	S	3/2013	Groene et al.	
D678,271	S	3/2013	Chiu	
D678,272	S *	3/2013	Groene	D14/341
D678,877	S	3/2013	Groene et al.	
D696,254	S *	12/2013	Groene	D14/341
D705,776	S	5/2014	Groene et al.	
D705,777	S	5/2014	Groene et al.	
D705,778	S *	5/2014	Groene	D14/341
D712,867	S *	9/2014	Vats	D14/138 AB
D733,120	S *	6/2015	Lee	D14/316
D735,188	S *	7/2015	Oh	D14/341
D741,319	S *	10/2015	Yun	D14/341
D749,070	S *	2/2016	Oh	D14/341
D751,063	S *	3/2016	Lin	D14/341
D754,655	S *	4/2016	Groene	D14/341
D758,984	S *	6/2016	Maxwell	D14/130
2005/0052831	A1	3/2005	Chen	
2006/0237599	A1	10/2006	Ternus et al.	
2012/0140396	A1	6/2012	Zeliff et al.	
2012/0194448	A1	8/2012	Rothkopf	
2012/0229970	A1 *	9/2012	Hsu	G06F 1/1626 361/679.09

FOREIGN PATENT DOCUMENTS

EM	001888454-0002	7/2011
IN	248981	10/2012
IN	248982	10/2012
JP	D1486541 S	12/2013

OTHER PUBLICATIONS

Microsoft Surface, posted Nov. 16, 2012 [online], [retrieved Dec. 12, 2012]. Retrieved from Internet, <http://reviews.cnet.co.uk>.
Jan. 28, 2016—(IN)—Examination Report—App 276158—Eng Tran.

* cited by examiner

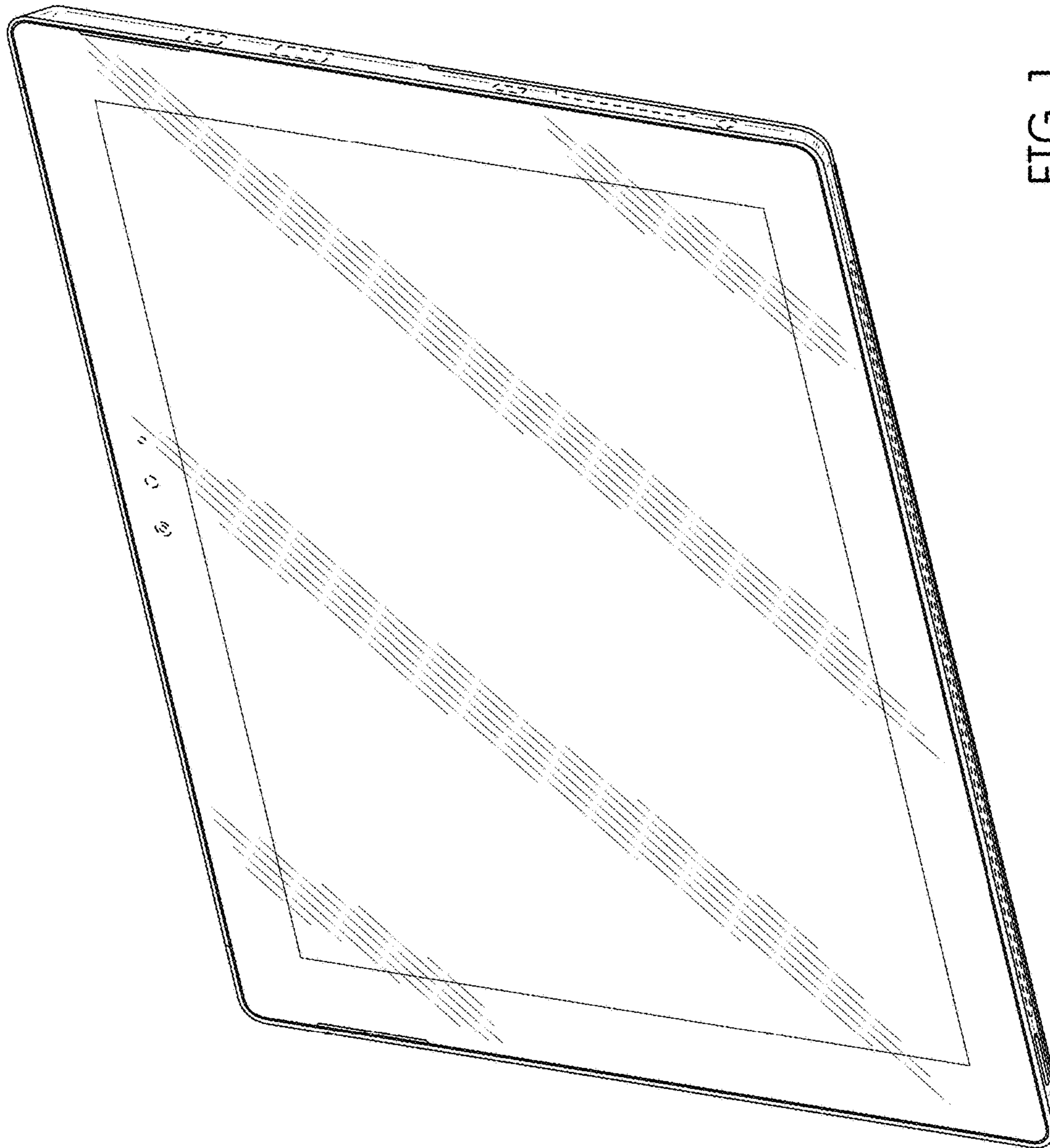


FIG. 1

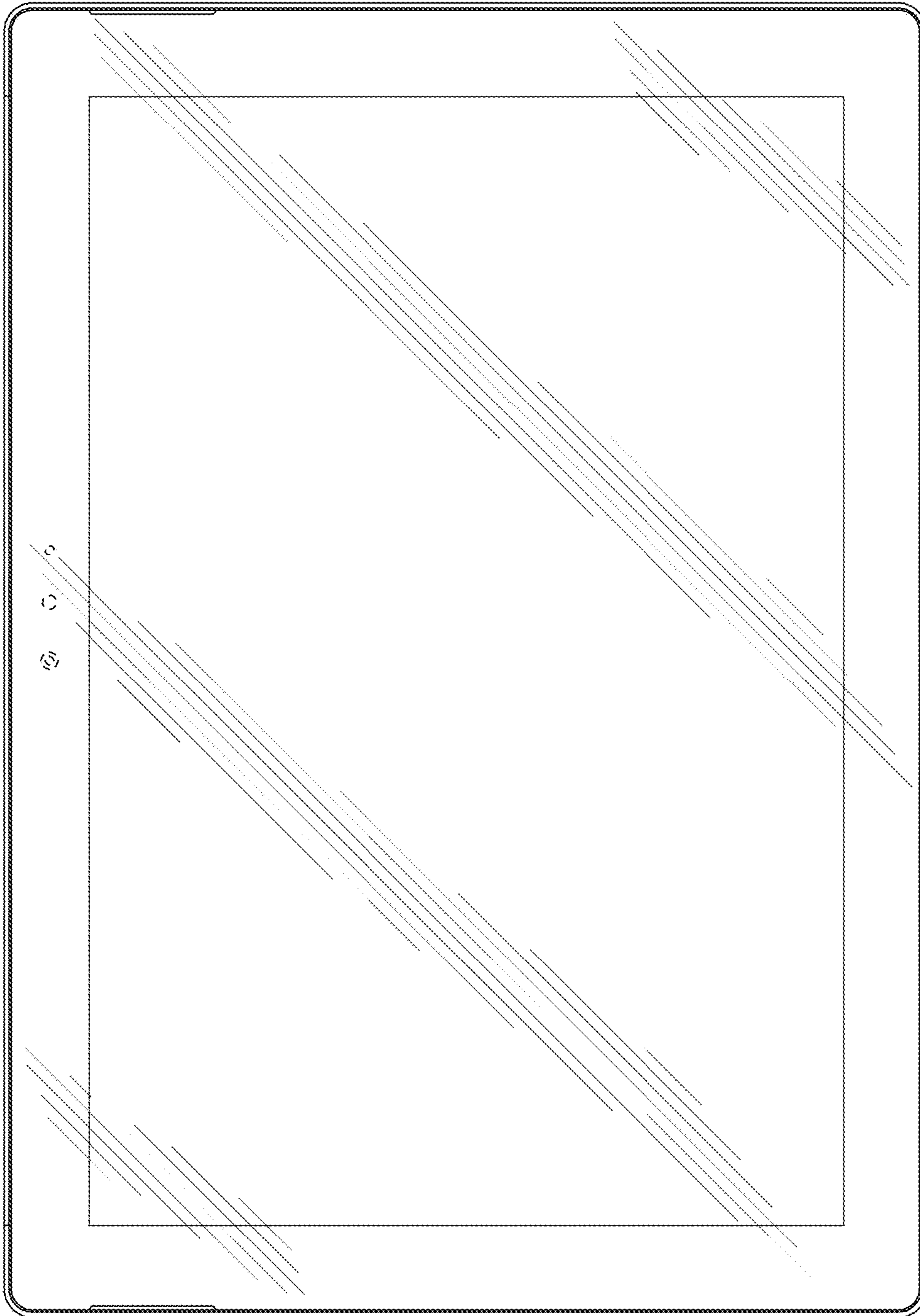


FIG. 2

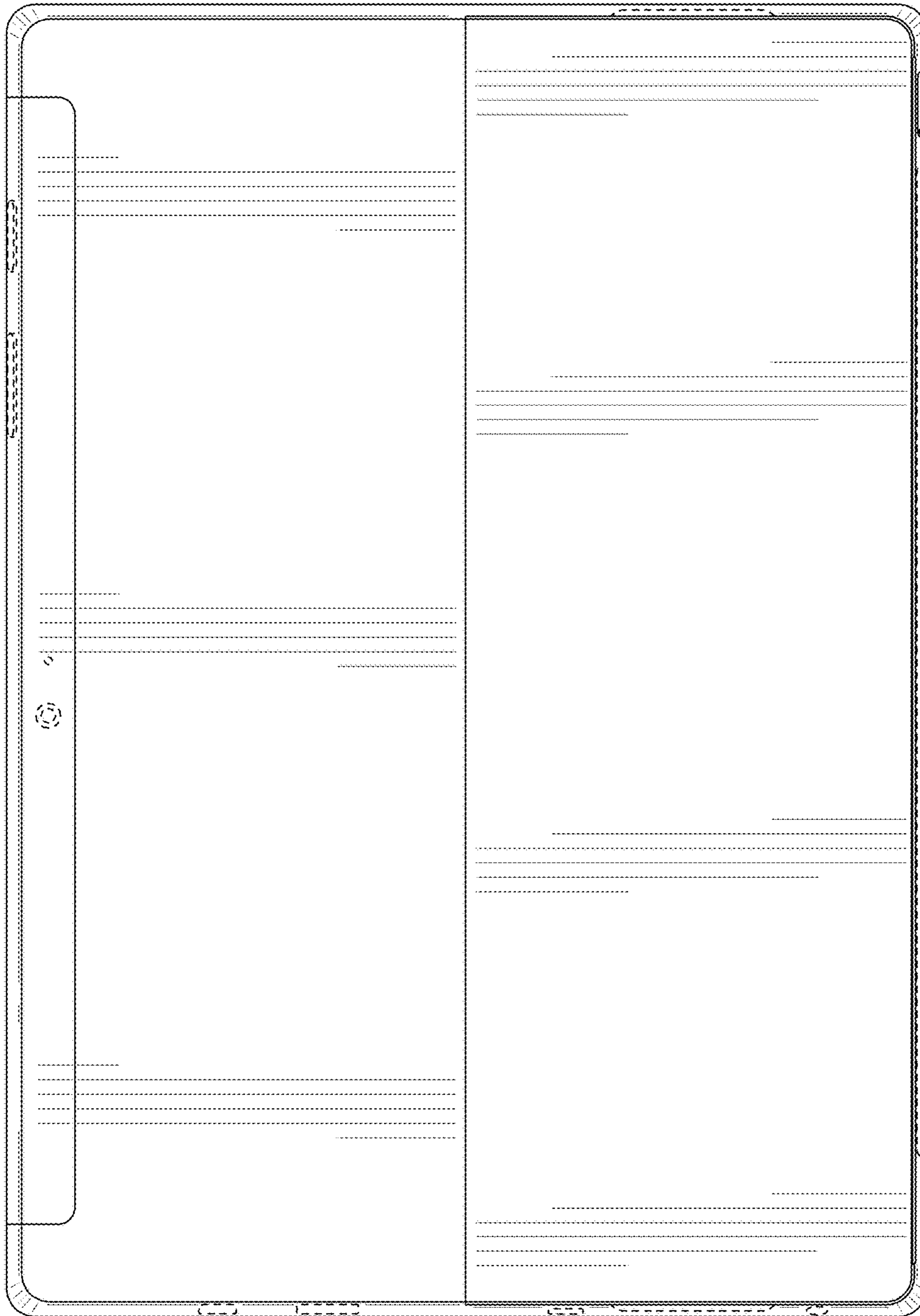


FIG. 3

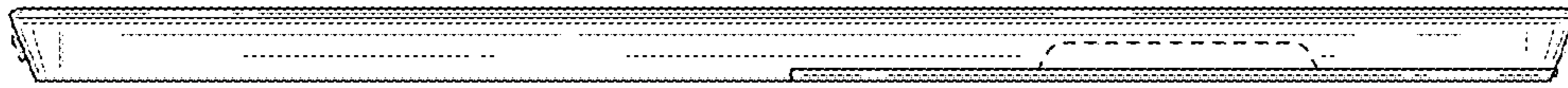


FIG. 5

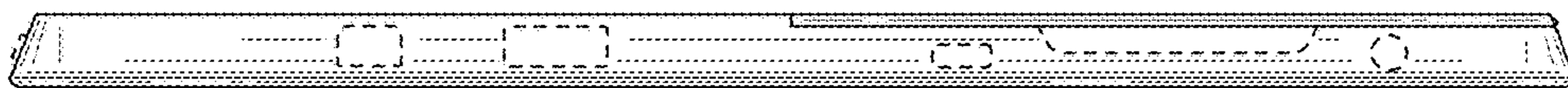


FIG. 4

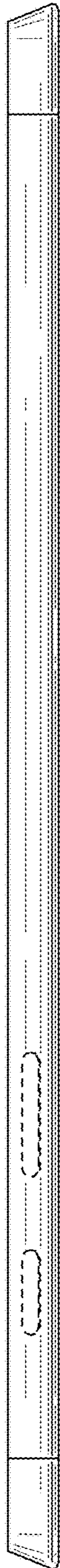


FIG. 6



FIG. 7

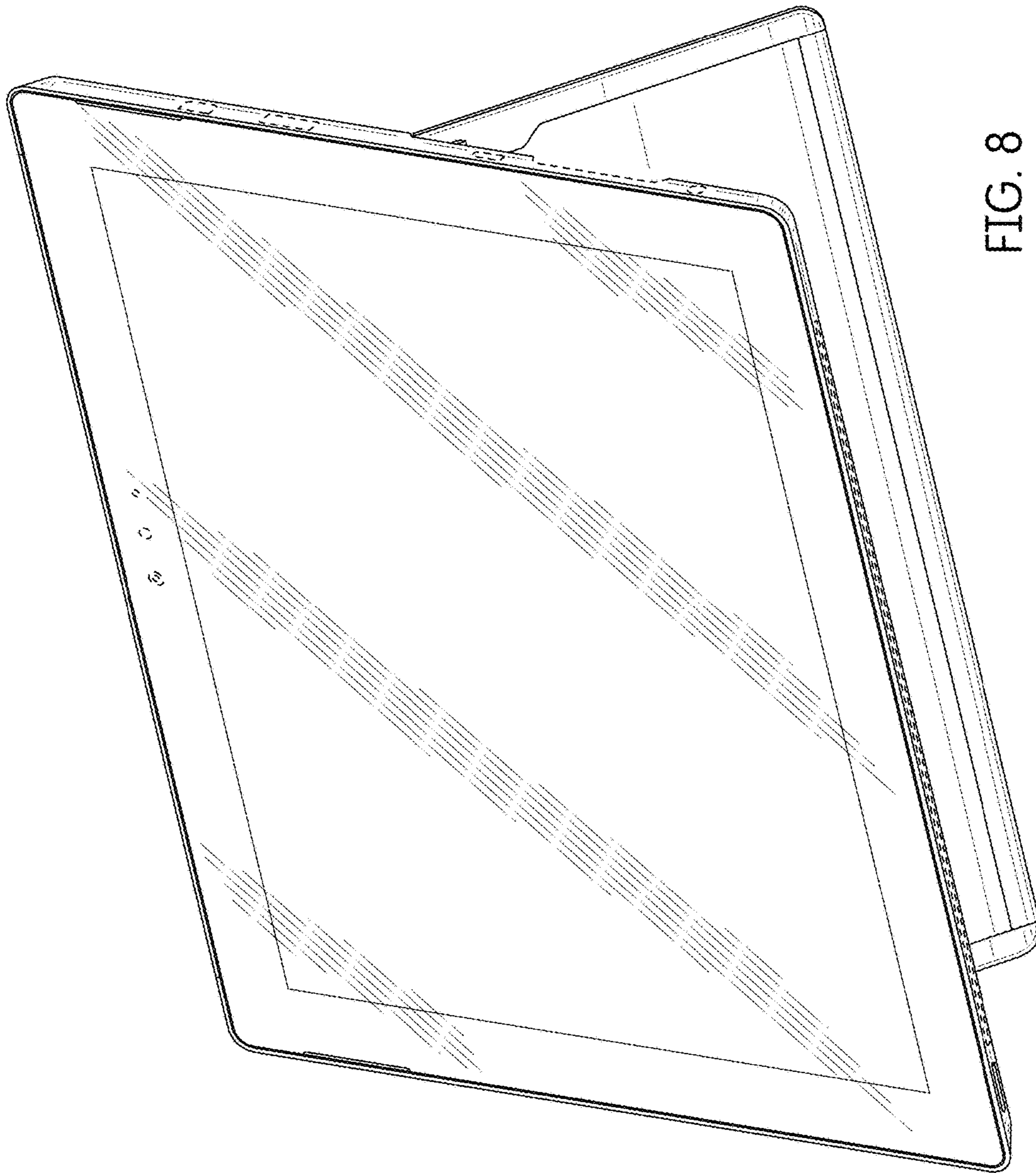


FIG. 8

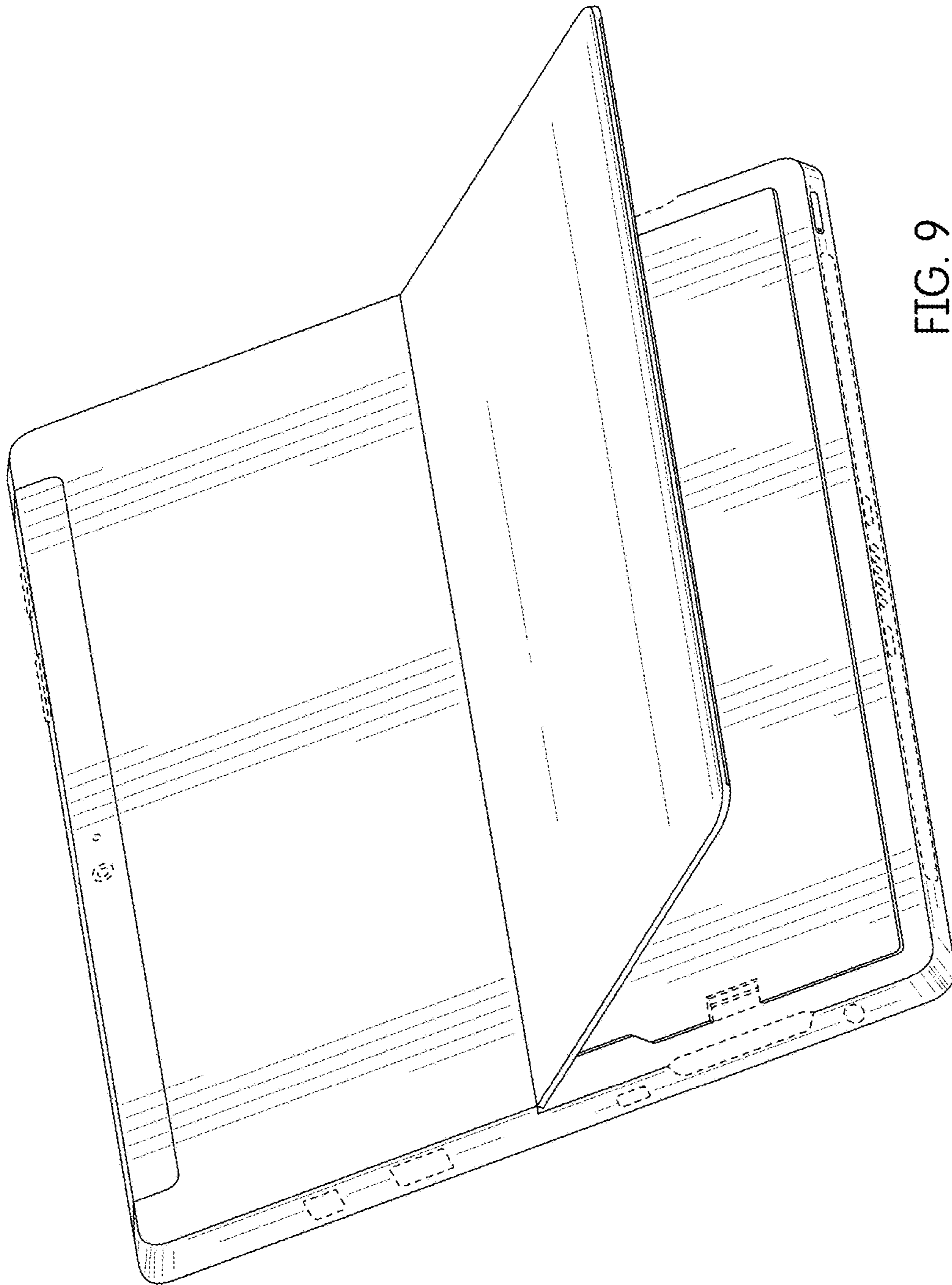


FIG. 9

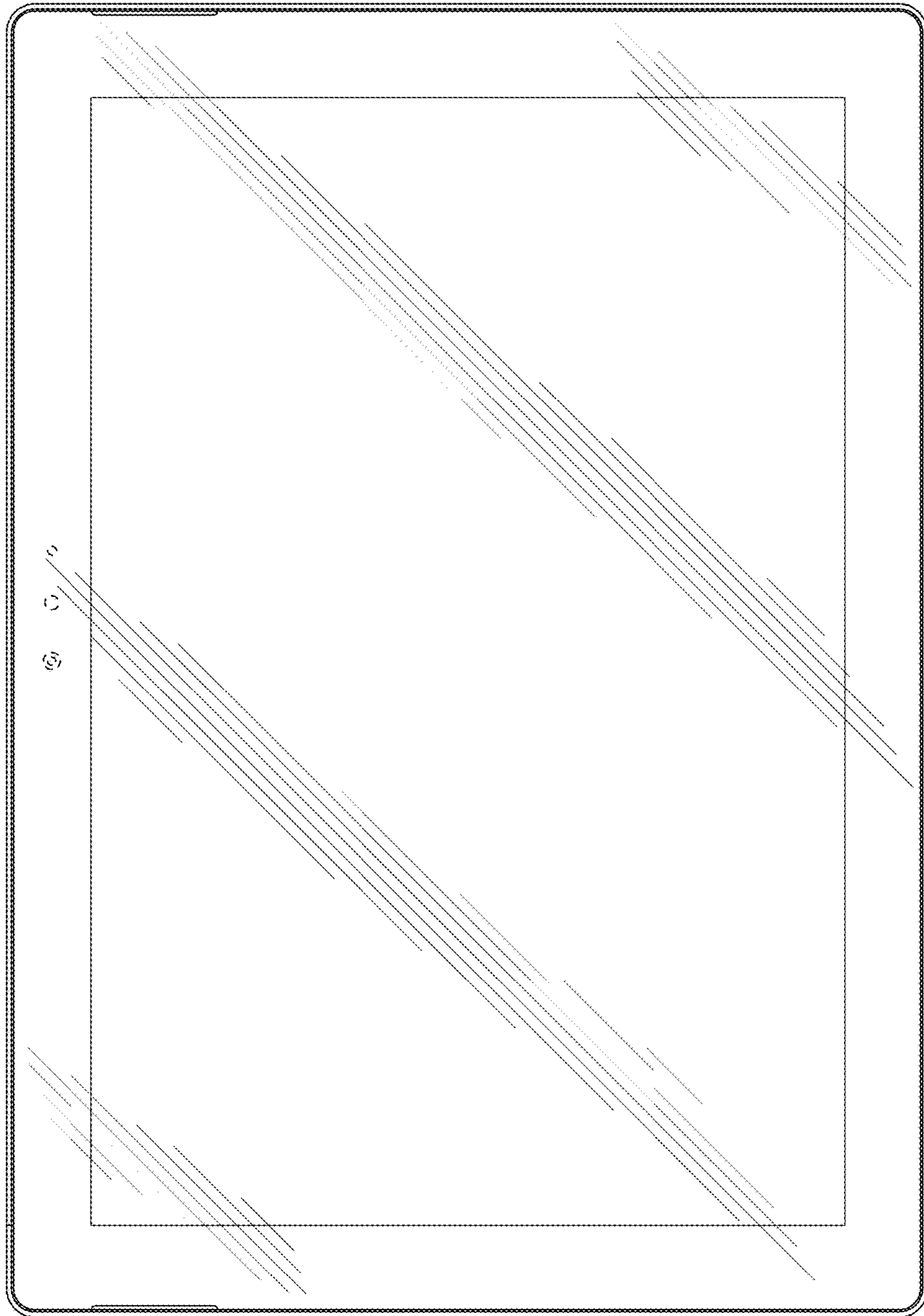


FIG. 10

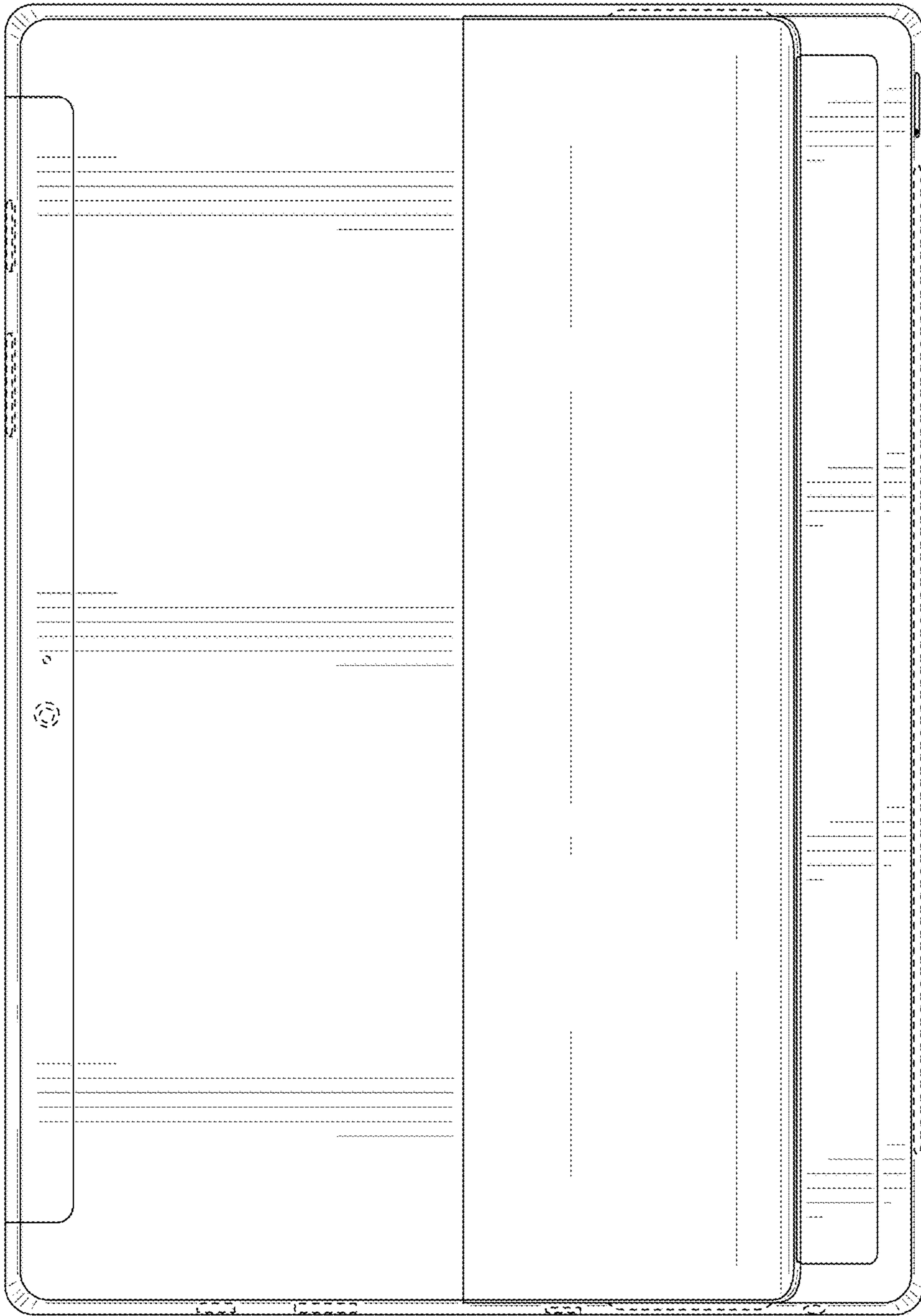


FIG. 11

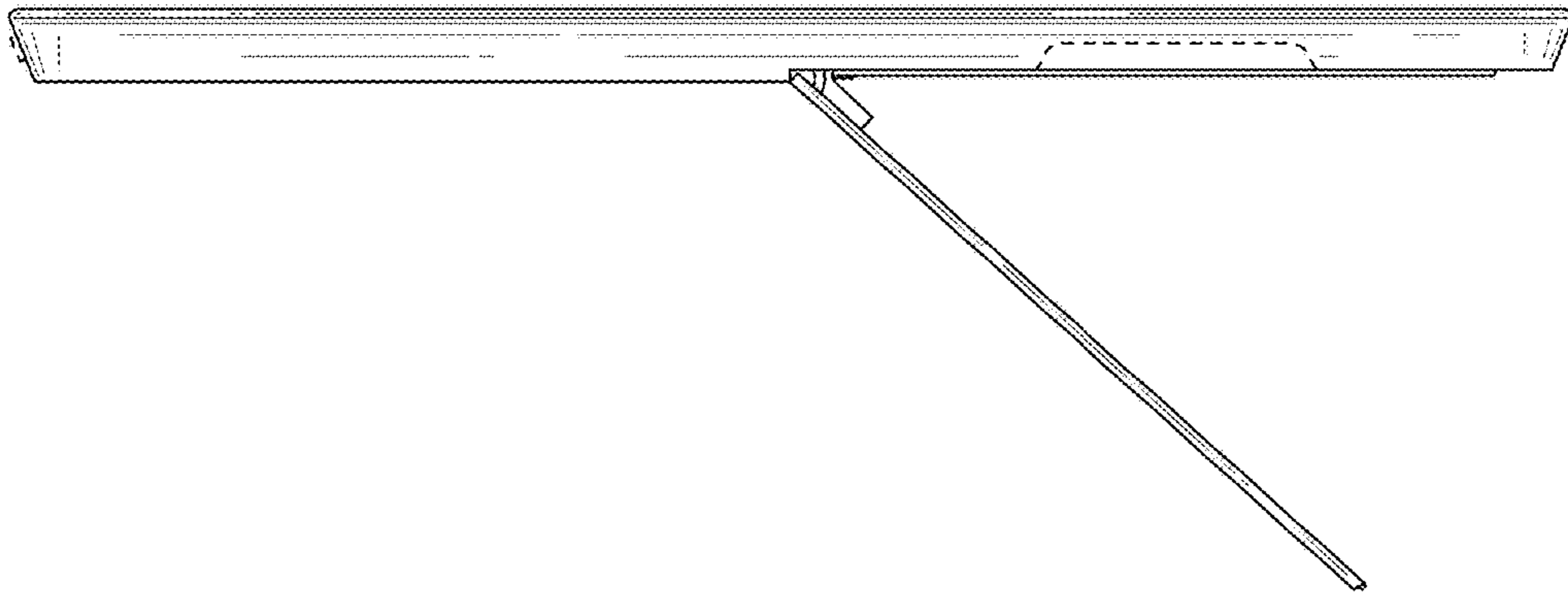


FIG. 13

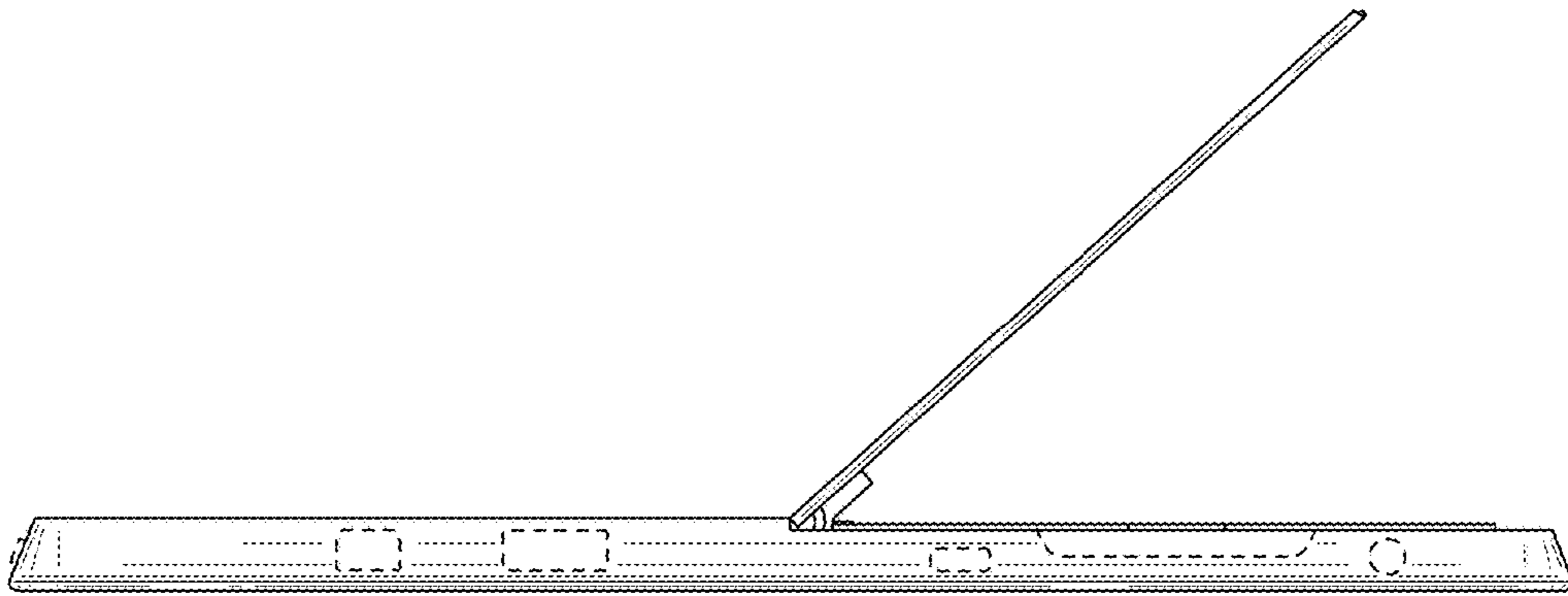


FIG. 12

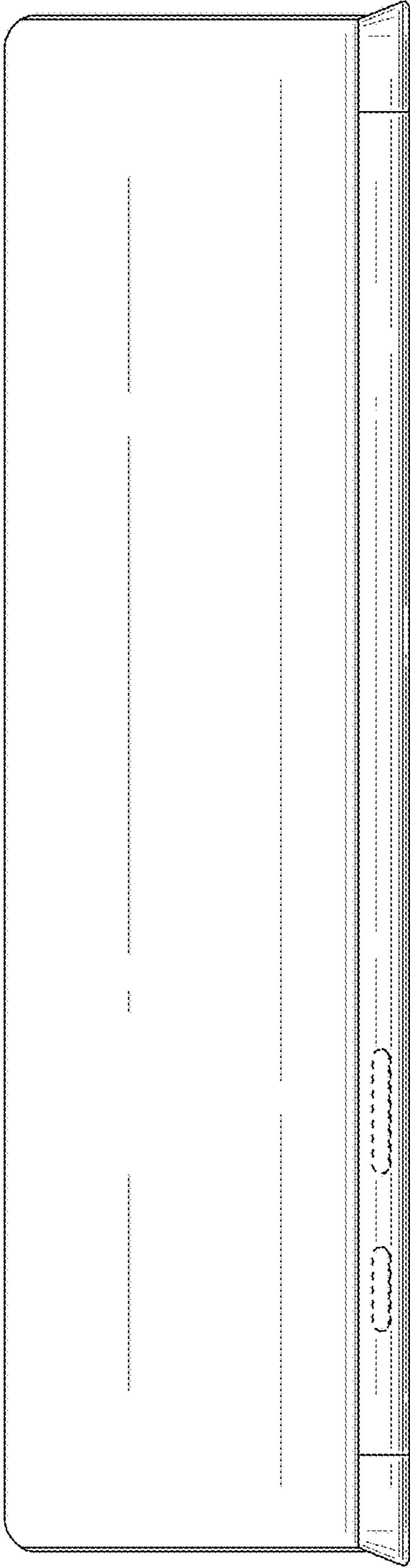


FIG. 14

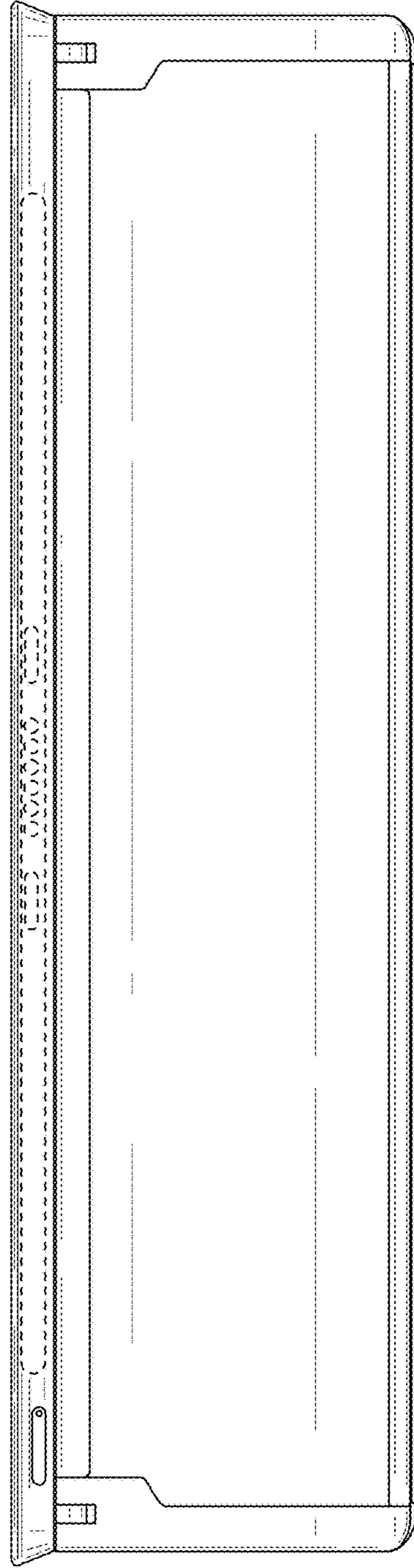


FIG. 15

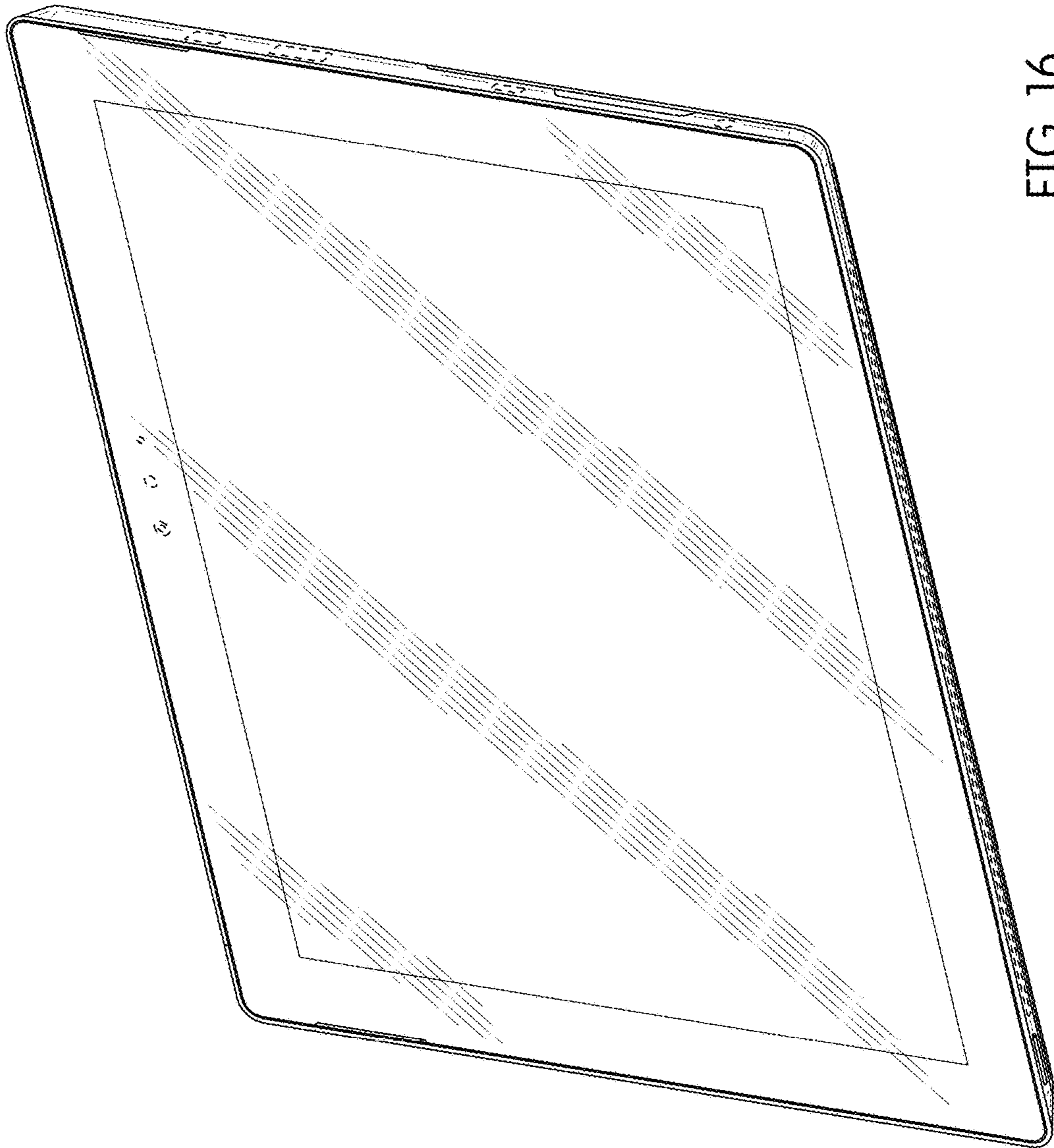


FIG. 16

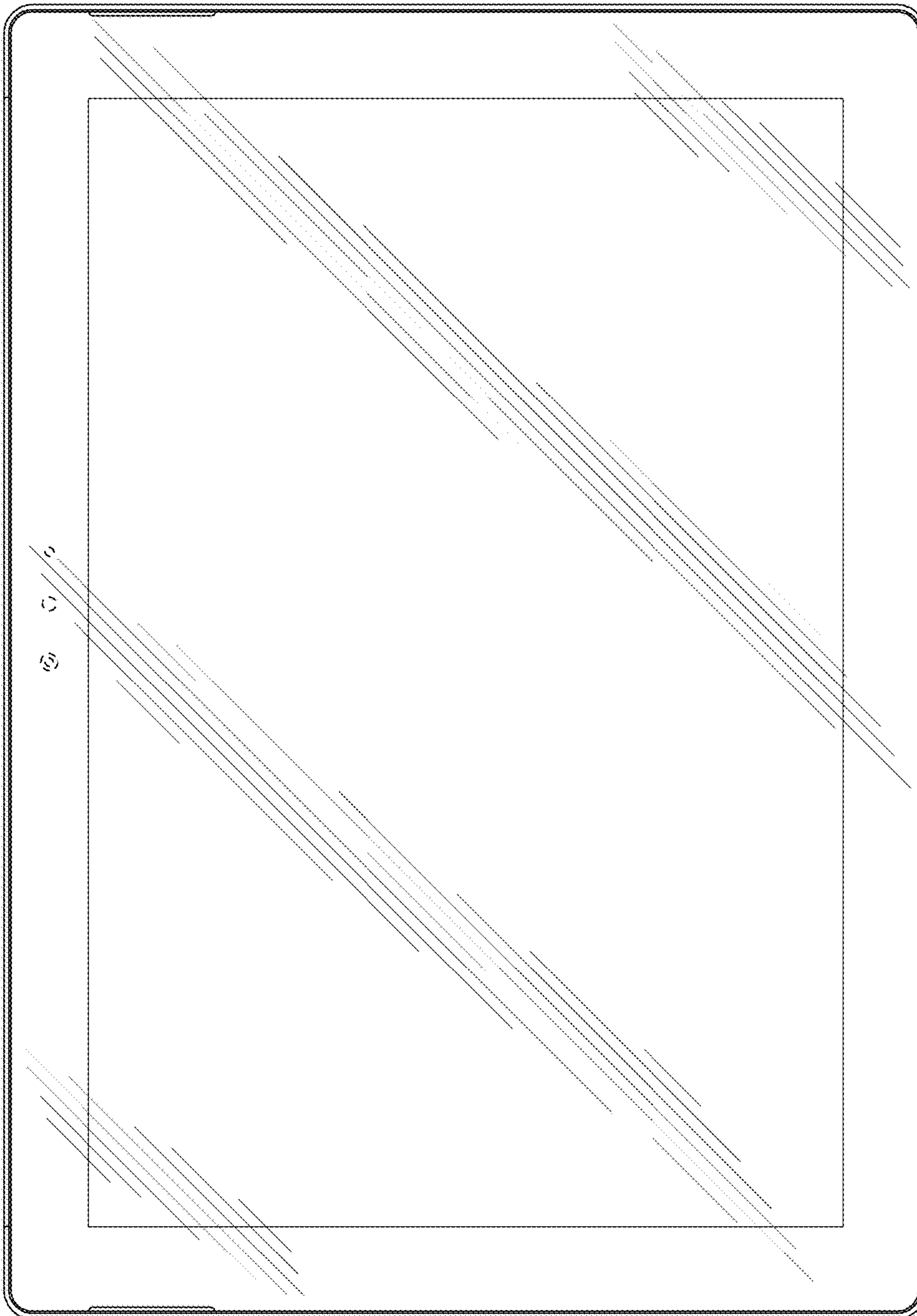


FIG. 17

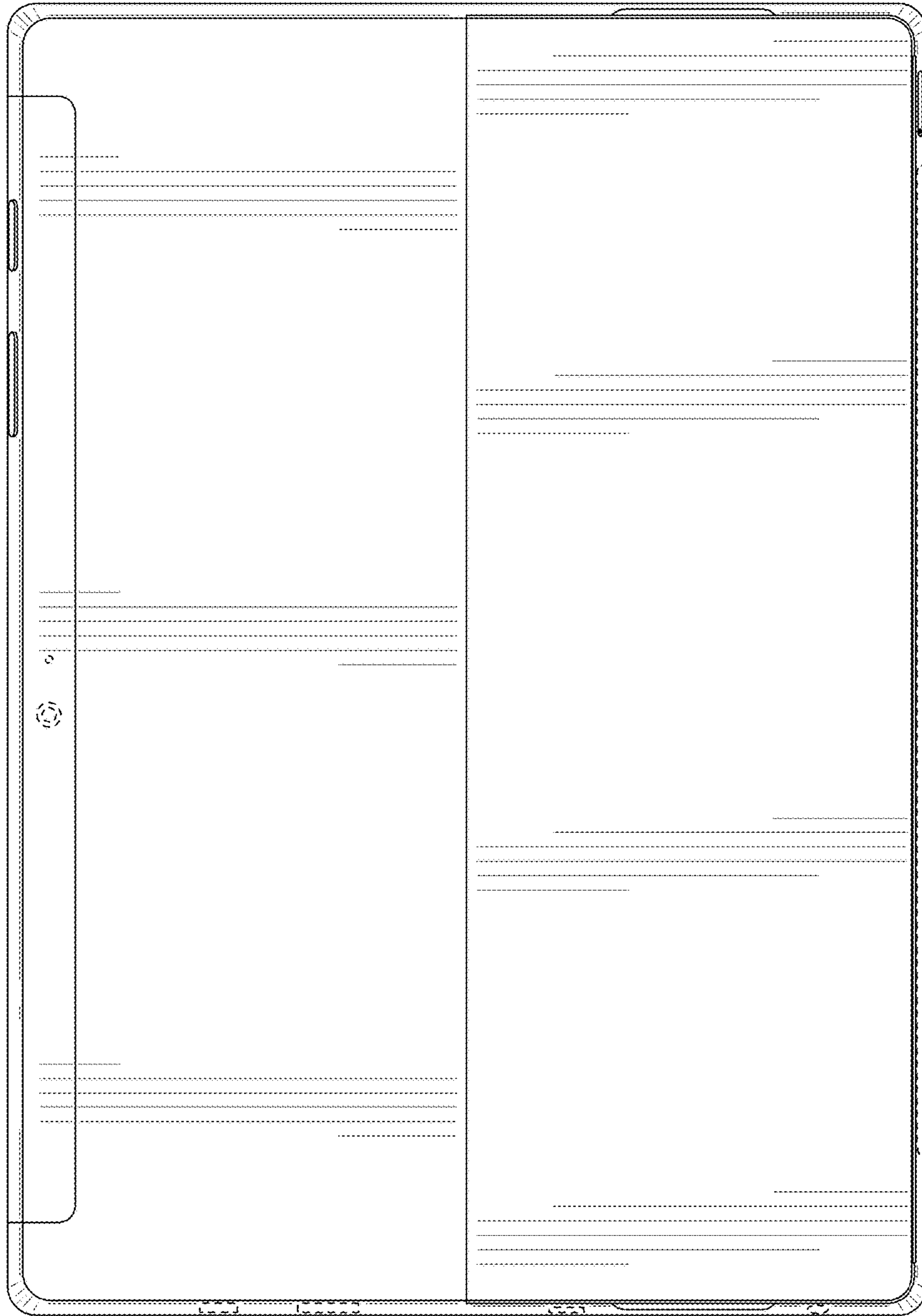


FIG. 18

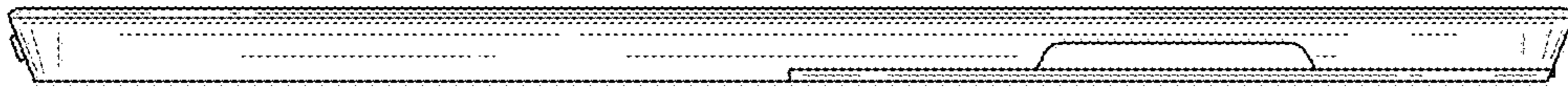


FIG. 20



FIG. 19



FIG. 21

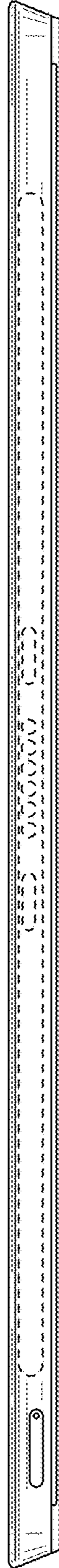


FIG. 22

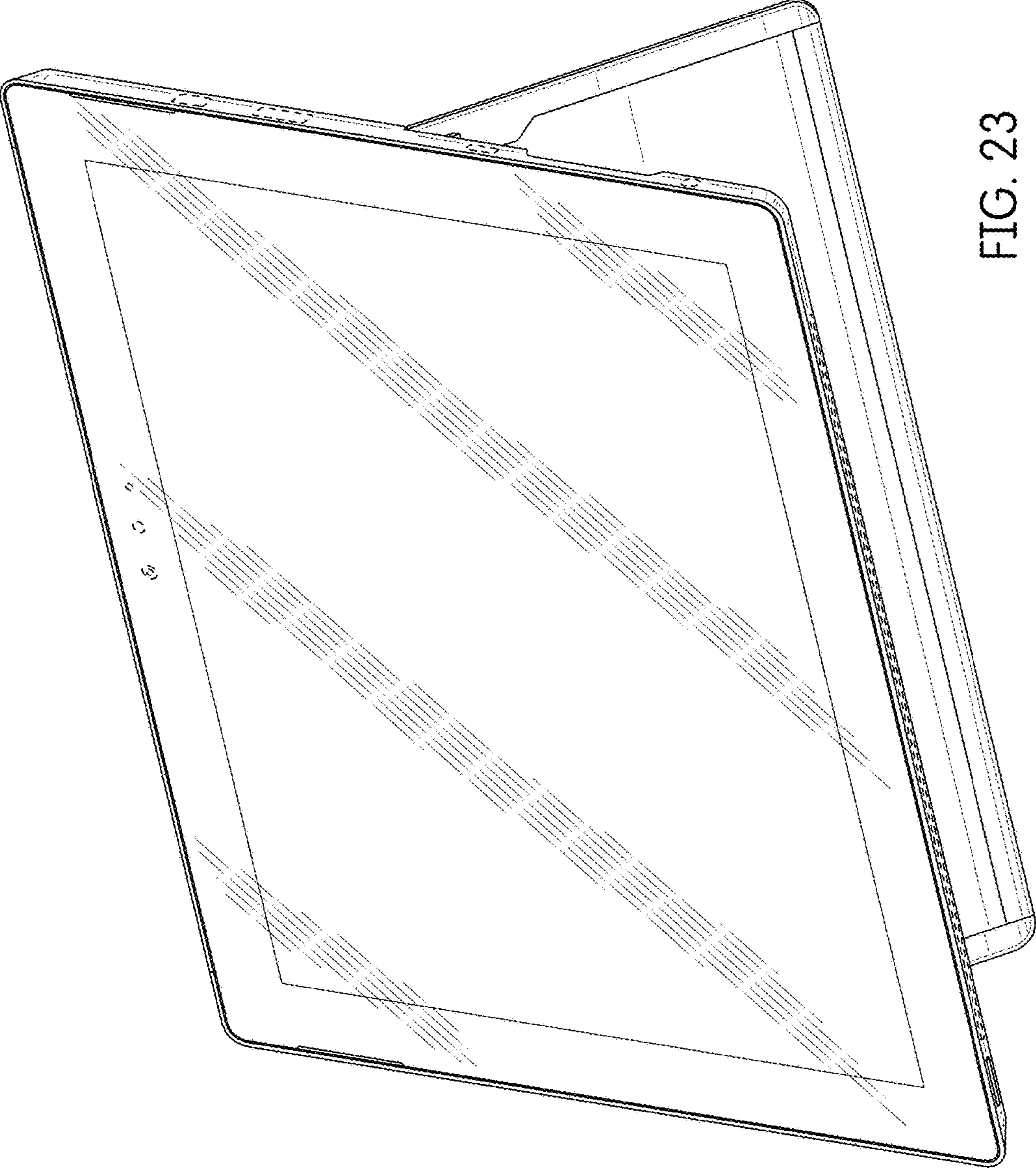


FIG. 23

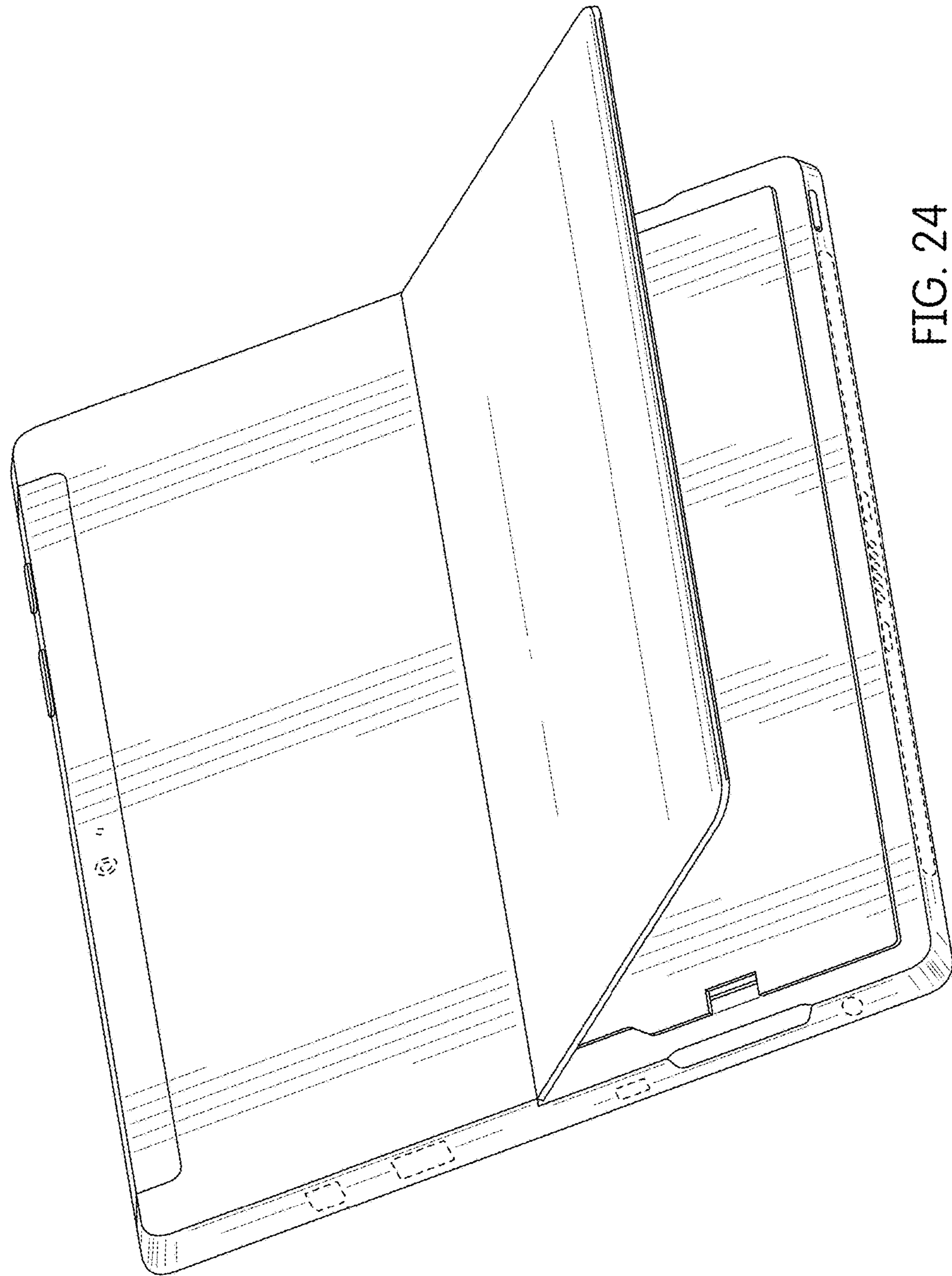


FIG. 24

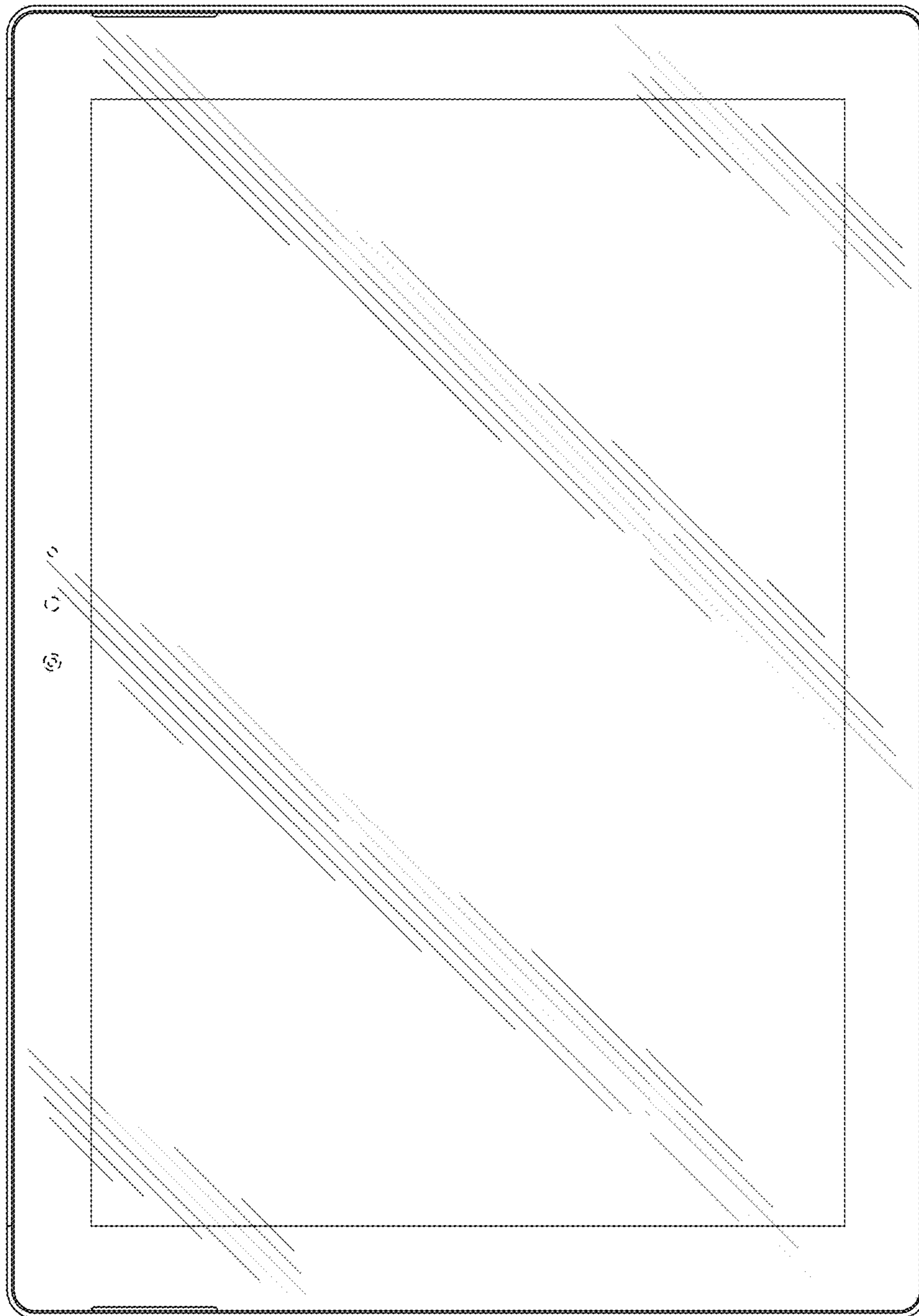


FIG. 25

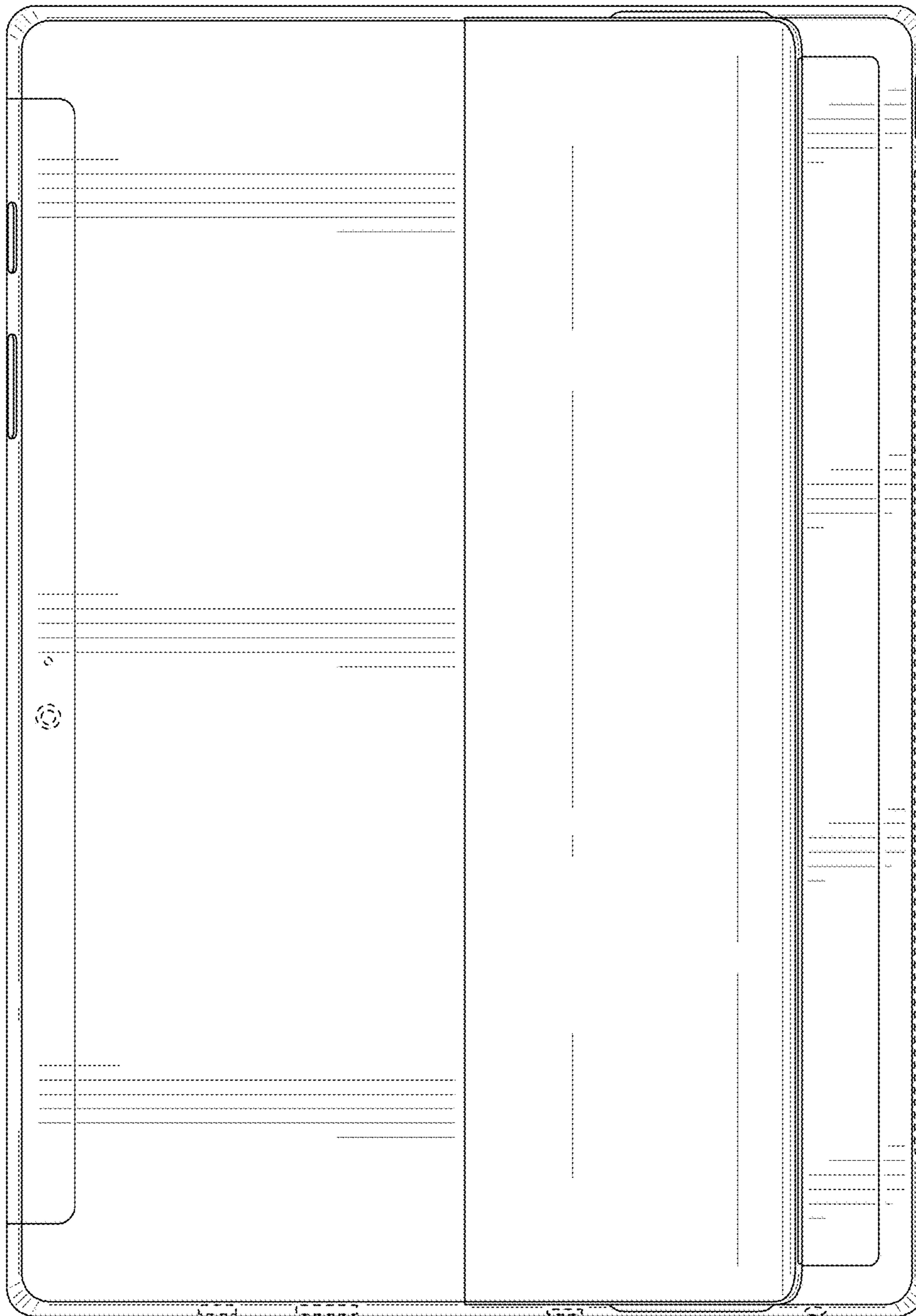


FIG. 26

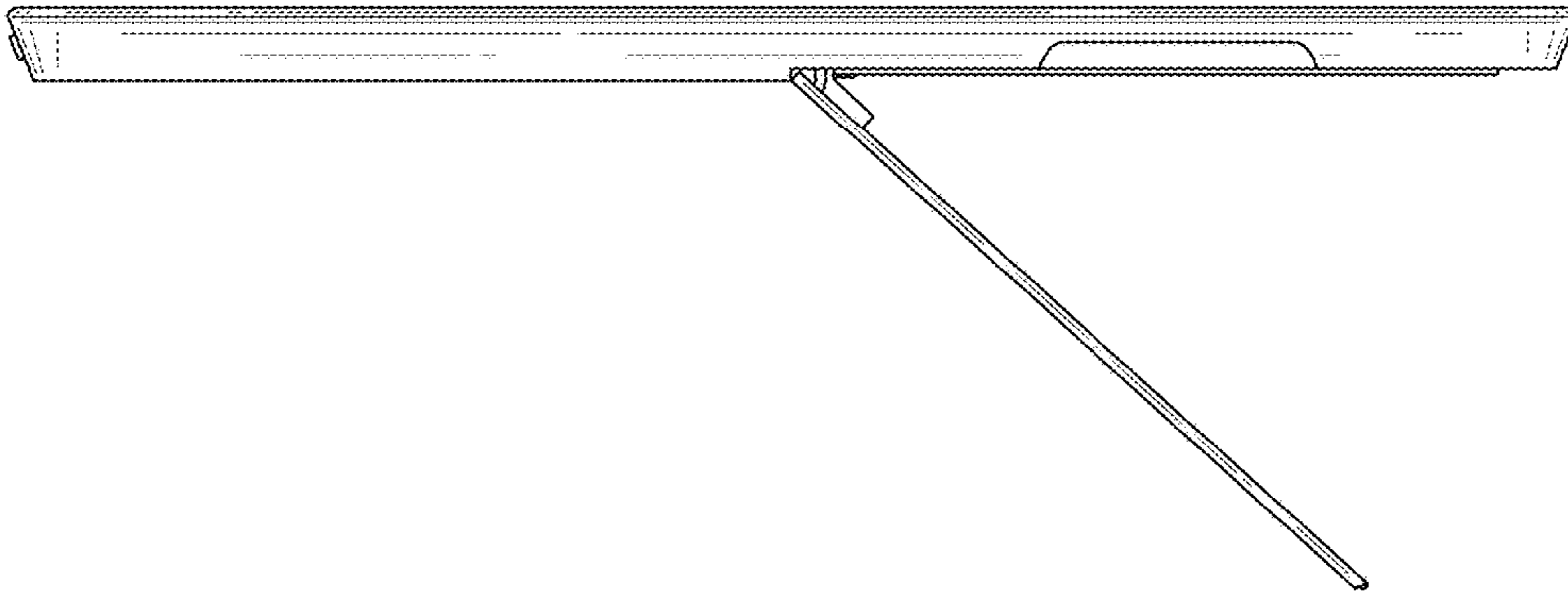


FIG. 28

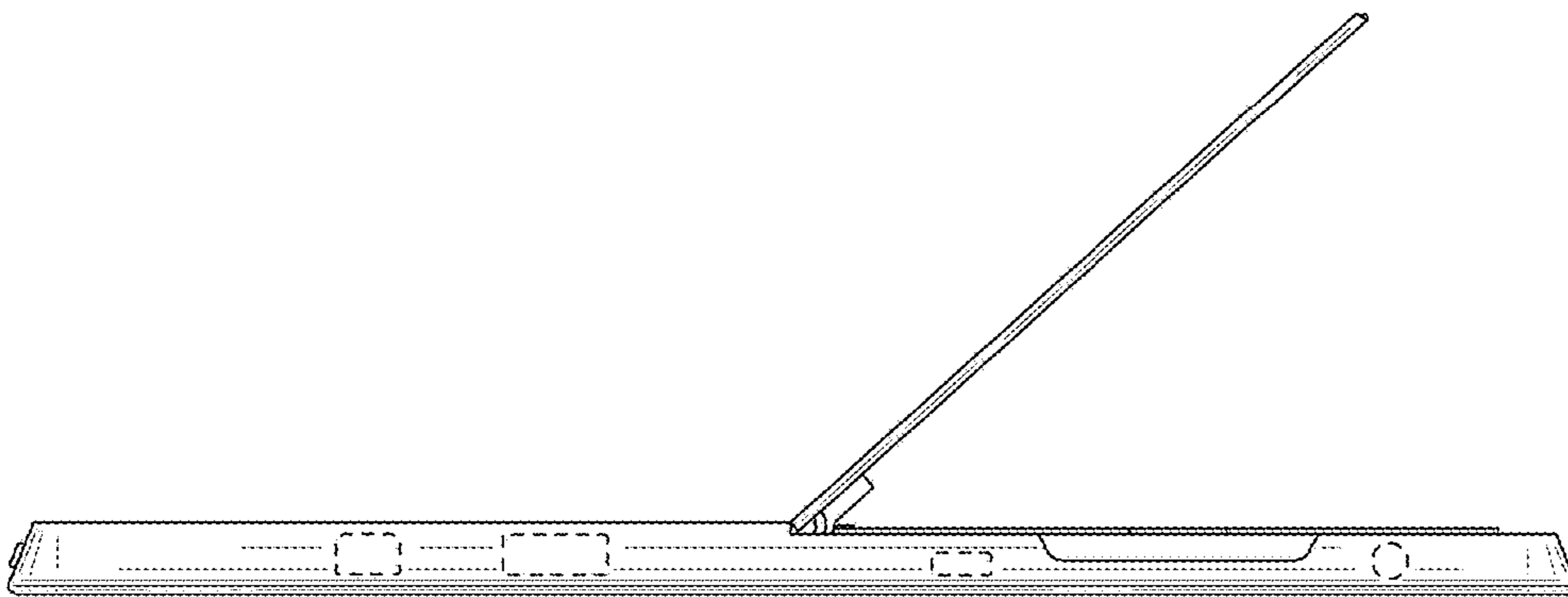


FIG. 27

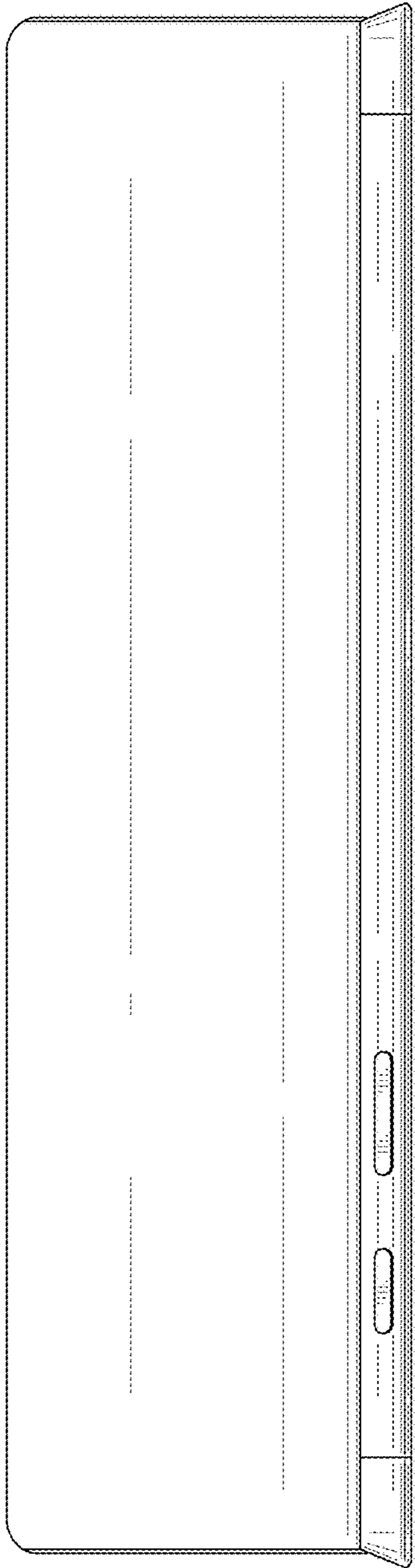


FIG. 29

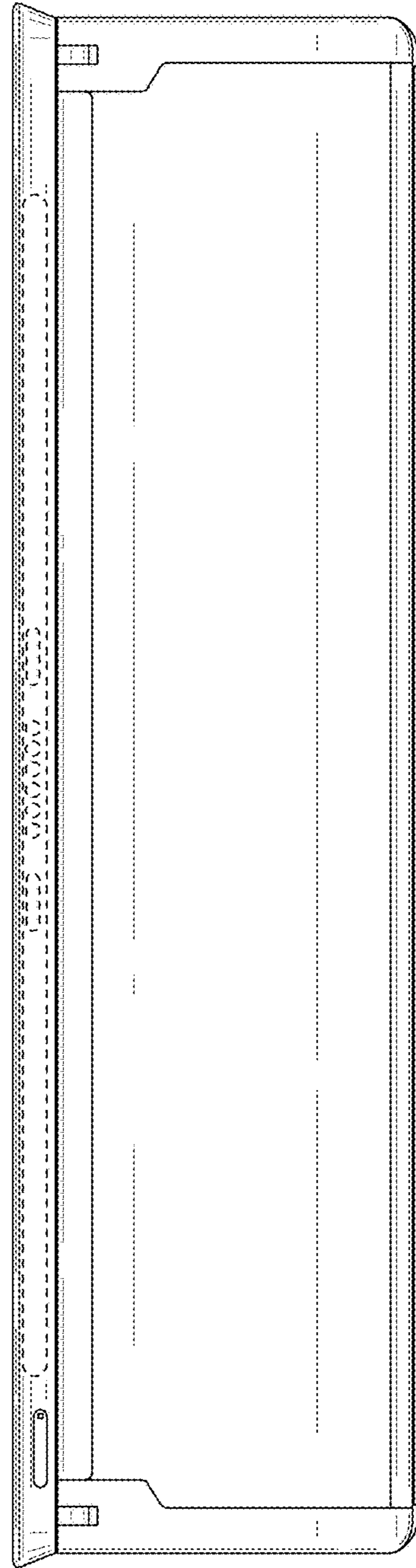


FIG. 30