



US00D782469S

(12) **United States Design Patent**  
**Raken et al.**

(10) **Patent No.:** **US D782,469 S**  
(45) **Date of Patent:** **\*\* \*Mar. 28, 2017**

(54) **ELECTRONIC TABLET**

(71) Applicant: **Microsoft Corporation**, Redmond, WA (US)

(72) Inventors: **Jan Raken**, Seattle, WA (US); **Timothy Escolin**, Seattle, WA (US)

(73) Assignee: **Microsoft Corporation**, Redmond, WA (US)

(\*) Notice: This patent is subject to a terminal disclaimer.

(\*\*) Term: **14 Years**

(21) Appl. No.: **29/522,401**

(22) Filed: **Mar. 30, 2015**

(51) **LOC (10) Cl.** ..... **14-02**

(52) **U.S. Cl.**  
USPC ..... **D14/341**

(58) **Field of Classification Search**  
USPC ..... D14/253, 440, 203.1, 203.4, 203.7,  
D14/341-347, 337, 374, 138, 138 AB,  
(Continued)

(56) **References Cited**

**U.S. PATENT DOCUMENTS**

D278,272 S 4/1985 Kojima et al.  
D284,084 S 6/1986 Ferrara, Jr.  
(Continued)

**FOREIGN PATENT DOCUMENTS**

EM 001050264-0002 3/2008  
EM 001911983 2/2011  
(Continued)

**OTHER PUBLICATIONS**

Microsoft Surface, posted Nov. 16, 2012 [online], [retrieved Dec. 12, 2012]. Retrieved from Internet, <http://reviews.cnet.co.uk>.

(Continued)

*Primary Examiner* — Barbara Fox

*Assistant Examiner* — Dana K Weiland

(74) *Attorney, Agent, or Firm* — Banner & Witcoff, Ltd.

(57) **CLAIM**

The ornamental design for an electronic tablet, as shown and described.

**DESCRIPTION**

FIG. 1 is a front perspective view of an electronic tablet showing our new design;

FIG. 2 is a front view thereof;

FIG. 3 is a rear view thereof;

FIG. 4 is a right side view thereof;

FIG. 5 is a left side view thereof;

FIG. 6 is a top view thereof;

FIG. 7 is a bottom view thereof;

FIG. 8 is a front perspective view of the electronic tablet of FIGS. 1-7 shown in an open configuration;

FIG. 9 is a rear perspective view thereof;

FIG. 10 is a front view thereof;

FIG. 11 is a rear view thereof;

FIG. 12 is a right side view thereof;

FIG. 13 is a left side view thereof;

FIG. 14 is a top view thereof;

FIG. 15 is a bottom view thereof;

FIG. 16 is a front perspective view of an alternative embodiment of our new design;

FIG. 17 is a front view thereof;

FIG. 18 is a rear view thereof;

FIG. 19 is a right side view thereof;

FIG. 20 is a left side view thereof;

FIG. 21 is a top view thereof;

FIG. 22 is a bottom view thereof;

FIG. 23 is a front perspective view thereof of the electronic tablet of FIGS. 16-22 shown in an open configuration;

FIG. 24 is a rear perspective view thereof;

FIG. 25 is a front view thereof;

FIG. 26 is a rear view thereof;

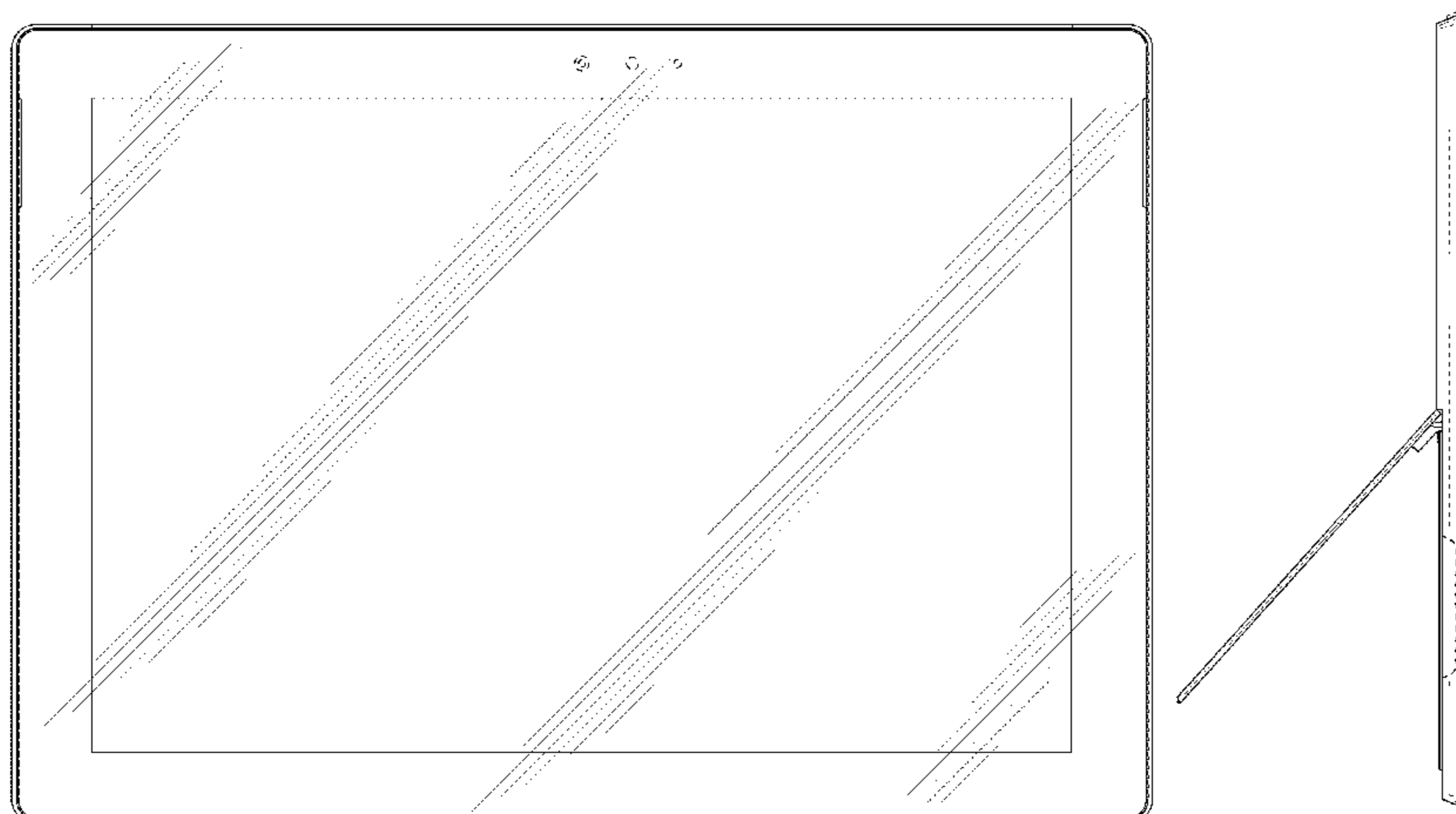
FIG. 27 is a right side view thereof;

FIG. 28 is a left side view thereof;

FIG. 29 is a top view thereof; and,

FIG. 30 is a bottom view thereof.

(Continued)



The broken lines shown in the drawings illustrate portions of the electronic table that form no part of the claimed design.

**1 Claim, 22 Drawing Sheets**

(58) **Field of Classification Search**

USPC ..... D14/496, 447, 315, 316; D10/65;  
D21/329, 330; D6/310  
CPC .... G06F 3/016; G06F 3/0202; G06F 3/04845;  
G06F 13/385; H04N 17/00; H04N 5/30;  
H04N 5/66; H04N 5/2251; H04M 1/0214  
See application file for complete search history.

(56) **References Cited**

U.S. PATENT DOCUMENTS

|           |     |         |                     |
|-----------|-----|---------|---------------------|
| 5,128,662 | A   | 7/1992  | Faila               |
| D333,574  | S   | 3/1993  | Ackeret             |
| D356,548  | S   | 3/1995  | Bottcher et al.     |
| D426,548  | S   | 6/2000  | Oross et al.        |
| D451,096  | S   | 11/2001 | Redmond             |
| D451,505  | S   | 12/2001 | Iseki et al.        |
| D492,684  | S   | 7/2004  | Ozolins et al.      |
| D500,037  | S   | 12/2004 | Ozolins et al.      |
| D502,703  | S   | 3/2005  | Tsujimoto et al.    |
| 6,882,524 | B2  | 4/2005  | Ulla et al.         |
| D504,889  | S   | 5/2005  | Andre et al.        |
| D533,552  | S   | 12/2006 | Kuroiwa et al.      |
| D543,979  | S   | 6/2007  | Lee                 |
| 7,299,580 | B2  | 11/2007 | Wang et al.         |
| D557,259  | S   | 12/2007 | Hirsch              |
| D558,460  | S   | 1/2008  | Yu et al.           |
| 7,342,776 | B1  | 3/2008  | Chan                |
| D579,930  | S   | 11/2008 | Maskatia            |
| D579,939  | S   | 11/2008 | Skillman et al.     |
| D584,304  | S   | 1/2009  | Lin                 |
| D585,399  | S   | 1/2009  | Hwang               |
| D585,401  | S   | 1/2009  | Otani               |
| D592,625  | S * | 5/2009  | Hwang ..... D14/130 |
| D601,353  | S   | 10/2009 | Sadler et al.       |
| D603,398  | S   | 11/2009 | Watson et al.       |
| D606,081  | S   | 12/2009 | Parker et al.       |
| D606,082  | S   | 12/2009 | Parker et al.       |
| D606,083  | S   | 12/2009 | Parker et al.       |
| D609,705  | S   | 2/2010  | Andre et al.        |
| D613,286  | S   | 4/2010  | Lee et al.          |
| D615,527  | S   | 5/2010  | Hwang               |
| D616,448  | S   | 5/2010  | Skillman et al.     |
| D617,793  | S   | 6/2010  | Chiang et al.       |
| D622,240  | S   | 8/2010  | Liu et al.          |
| D627,343  | S   | 11/2010 | Andre et al.        |
| D627,777  | S   | 11/2010 | Akana et al.        |
| D627,779  | S   | 11/2010 | Liao                |
| D628,569  | S   | 12/2010 | Guo                 |
| D629,216  | S   | 12/2010 | Stoddard            |
| D629,800  | S   | 12/2010 | Seong               |
| D630,207  | S   | 1/2011  | Seong               |
| D630,607  | S   | 1/2011  | Li                  |
| D631,469  | S   | 1/2011  | Demskie et al.      |
| D631,474  | S   | 1/2011  | Green et al.        |
| D632,687  | S   | 2/2011  | Seong               |
| D632,688  | S   | 2/2011  | Seong               |
| D633,090  | S   | 2/2011  | Andre et al.        |
| D633,091  | S   | 2/2011  | Andre et al.        |
| D636,768  | S   | 4/2011  | Chan et al.         |
| D636,770  | S   | 4/2011  | Li                  |
| D637,596  | S   | 5/2011  | Akana et al.        |
| D637,597  | S   | 5/2011  | Seong               |

|              |      |         |                                     |
|--------------|------|---------|-------------------------------------|
| D638,419     | S    | 5/2011  | Ishiharada                          |
| D638,833     | S    | 5/2011  | Chuang                              |
| D638,836     | S    | 5/2011  | Daniel                              |
| D639,266     | S    | 6/2011  | DeLorenzo et al.                    |
| D641,016     | S    | 7/2011  | Takahashi                           |
| D641,017     | S    | 7/2011  | Meng                                |
| D641,018     | S    | 7/2011  | Lee et al.                          |
| D642,563     | S    | 8/2011  | Akana et al.                        |
| D645,465     | S    | 9/2011  | Lin et al.                          |
| D646,902     | S    | 10/2011 | Woo et al.                          |
| D649,190     | S    | 11/2011 | Goodall                             |
| D650,380     | S    | 12/2011 | Ballout                             |
| D652,418     | S    | 1/2012  | Rashid et al.                       |
| D653,645     | S    | 2/2012  | Park                                |
| D654,074     | S    | 2/2012  | Wood et al.                         |
| D654,497     | S    | 2/2012  | Lee                                 |
| D655,704     | S    | 3/2012  | Akana et al.                        |
| D656,136     | S    | 3/2012  | Lee                                 |
| D656,137     | S    | 3/2012  | Chung et al.                        |
| D659,139     | S    | 5/2012  | Gengler                             |
| D659,692     | S    | 5/2012  | Jung et al.                         |
| D663,281     | S    | 7/2012  | Hwang                               |
| D664,540     | S    | 7/2012  | Kim et al.                          |
| D664,954     | S    | 8/2012  | Kim et al.                          |
| D665,370     | S    | 8/2012  | Chung                               |
| D667,397     | S    | 9/2012  | Koh                                 |
| D667,398     | S    | 9/2012  | Koh                                 |
| D667,399     | S    | 9/2012  | Koh                                 |
| D667,825     | S    | 9/2012  | Jung                                |
| D668,650     | S    | 10/2012 | Han                                 |
| D668,651     | S    | 10/2012 | Kim et al.                          |
| D669,069     | S    | 10/2012 | Akana et al.                        |
| D669,468     | S    | 10/2012 | Akana et al.                        |
| D670,286     | S    | 11/2012 | Akana et al.                        |
| D670,692     | S    | 11/2012 | Akana et al.                        |
| D671,514     | S    | 11/2012 | Kim et al.                          |
| D671,940     | S    | 12/2012 | Kim                                 |
| D675,203     | S    | 1/2013  | Yang                                |
| D677,660     | S    | 3/2013  | Groene et al.                       |
| D678,271     | S    | 3/2013  | Chiu                                |
| D678,272     | S *  | 3/2013  | Groene ..... D14/341                |
| D678,877     | S    | 3/2013  | Groene et al.                       |
| D696,254     | S *  | 12/2013 | Groene ..... D14/341                |
| D705,776     | S    | 5/2014  | Groene et al.                       |
| D705,777     | S    | 5/2014  | Groene et al.                       |
| D705,778     | S *  | 5/2014  | Groene ..... D14/341                |
| D712,867     | S *  | 9/2014  | Vats ..... D14/138 AB               |
| D733,120     | S *  | 6/2015  | Lee ..... D14/316                   |
| D735,188     | S *  | 7/2015  | Oh ..... D14/341                    |
| D741,319     | S *  | 10/2015 | Yun ..... D14/341                   |
| D749,070     | S *  | 2/2016  | Oh ..... D14/341                    |
| D751,063     | S *  | 3/2016  | Lin ..... D14/341                   |
| D754,655     | S *  | 4/2016  | Groene ..... D14/341                |
| D758,984     | S *  | 6/2016  | Maxwell ..... D14/130               |
| 2005/0052831 | A1   | 3/2005  | Chen                                |
| 2006/0237599 | A1   | 10/2006 | Ternus et al.                       |
| 2012/0140396 | A1   | 6/2012  | Zeliff et al.                       |
| 2012/0194448 | A1   | 8/2012  | Rothkopf                            |
| 2012/0229970 | A1 * | 9/2012  | Hsu ..... G06F 1/1626<br>361/679.09 |

FOREIGN PATENT DOCUMENTS

|    |                |         |
|----|----------------|---------|
| EM | 001888454-0002 | 7/2011  |
| JP | D1486541 S     | 12/2013 |

OTHER PUBLICATIONS

Feb. 16, 2016—(JP) Official Notice of Reasons of the Rejection—  
Design App 2015-021349—Eng Tran.

\* cited by examiner

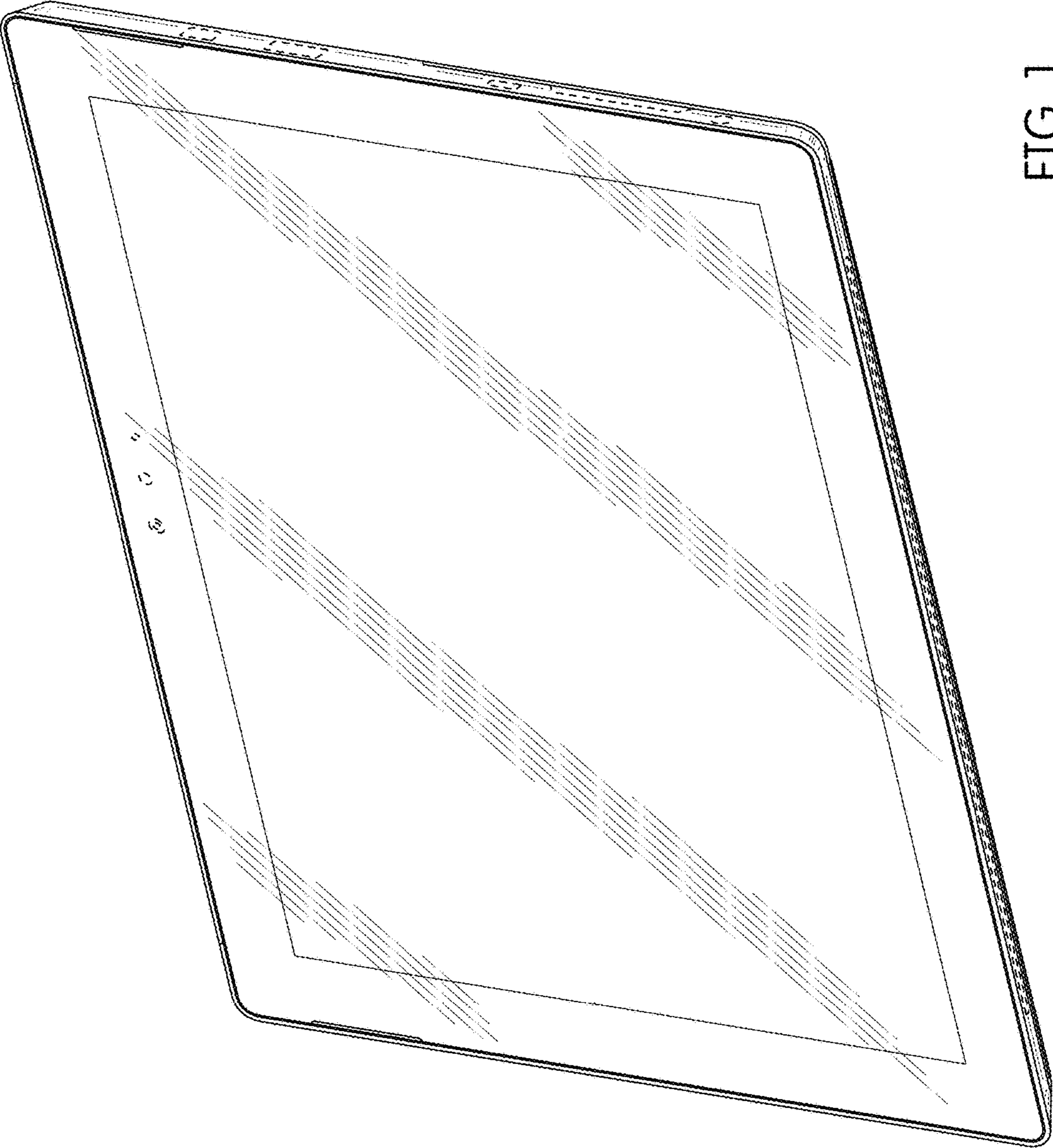


FIG. 1

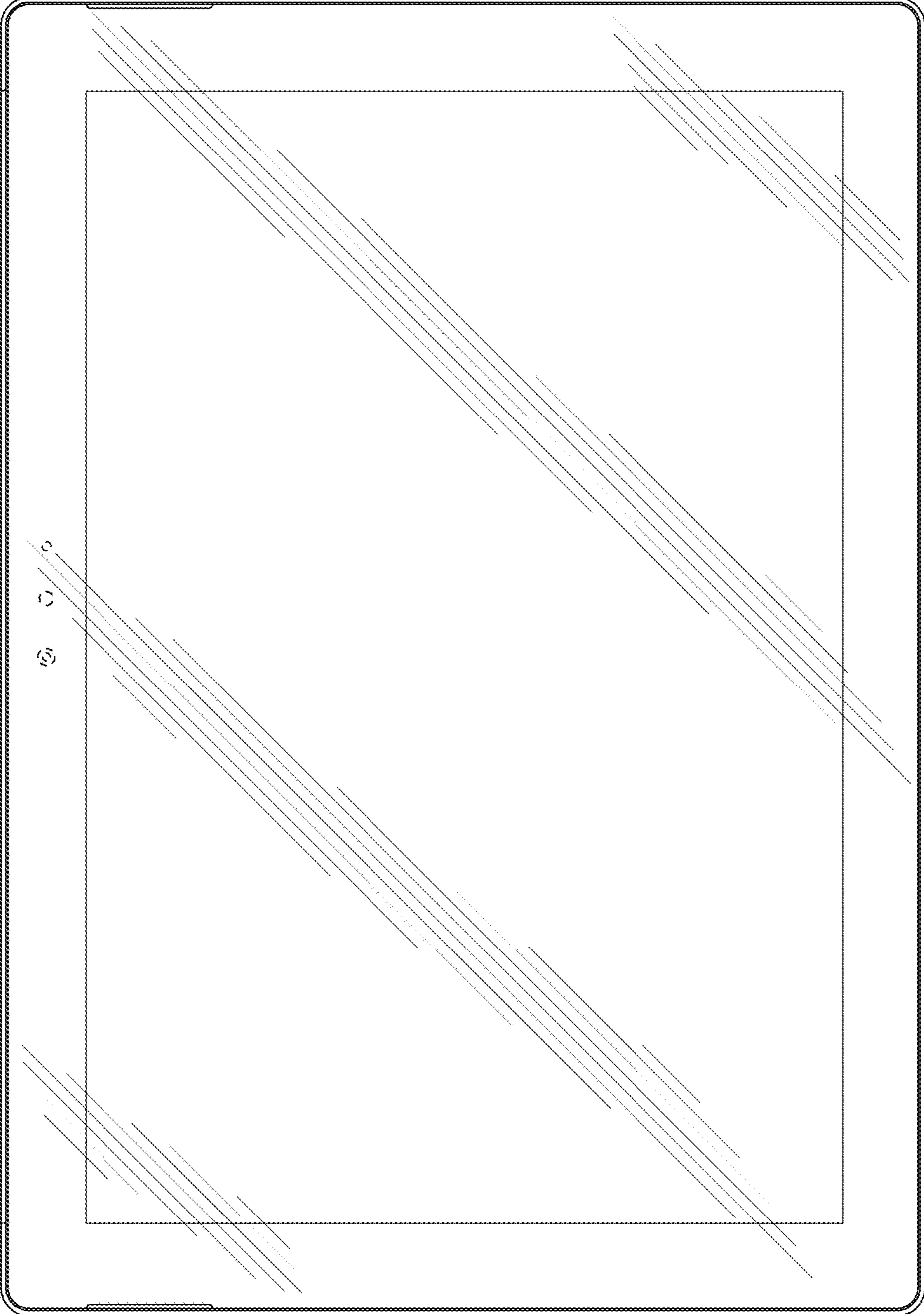


FIG. 2

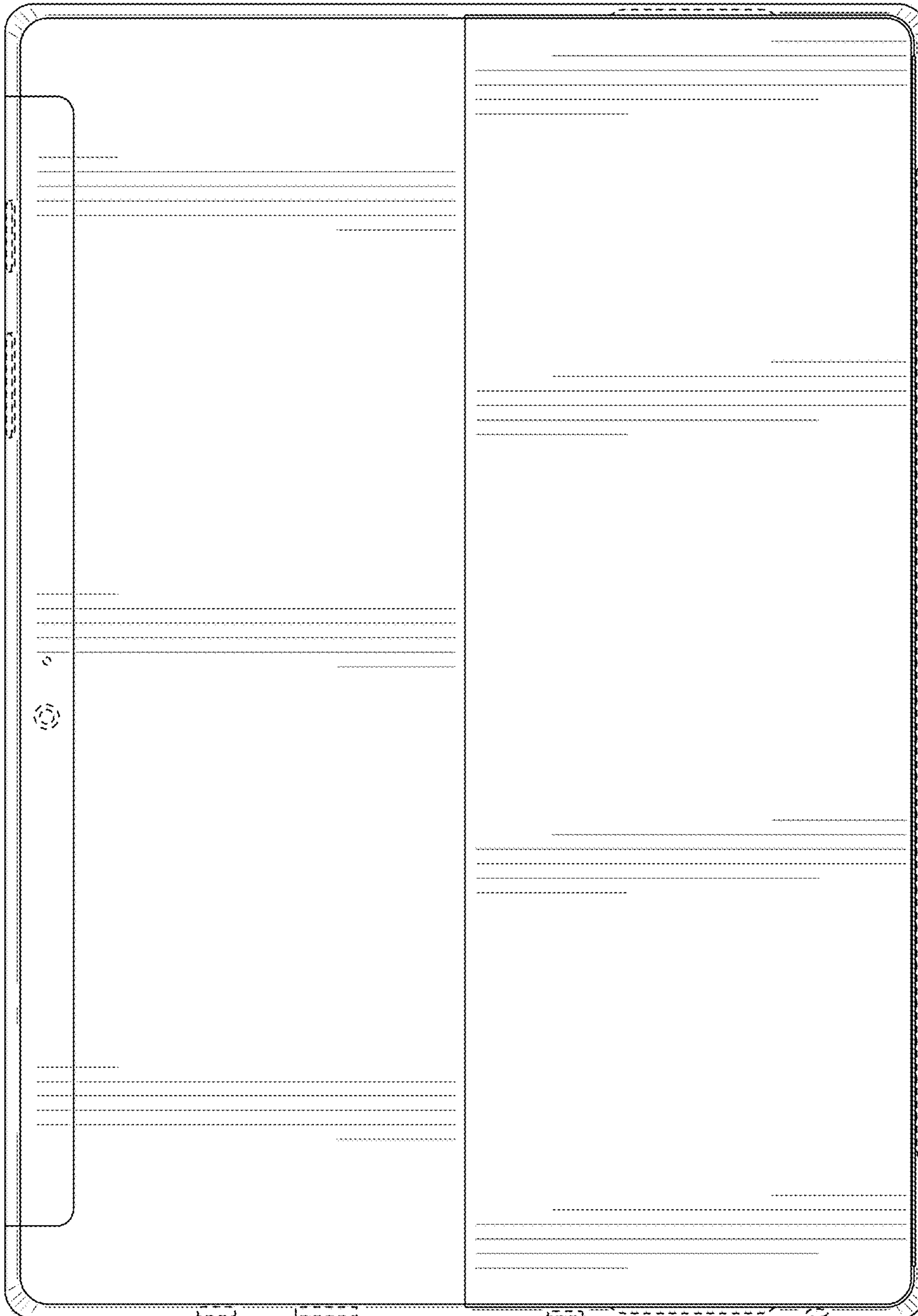


FIG. 3

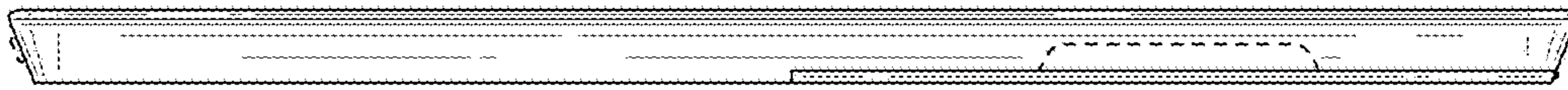


FIG. 5

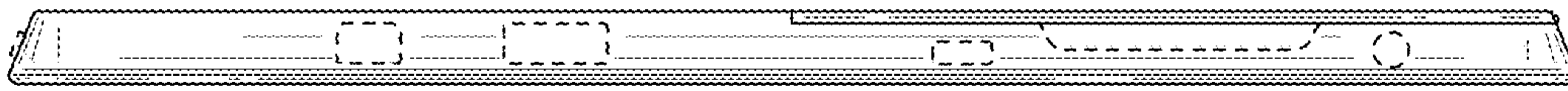


FIG. 4

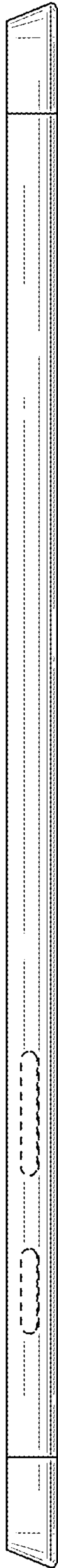


FIG. 6



FIG. 7

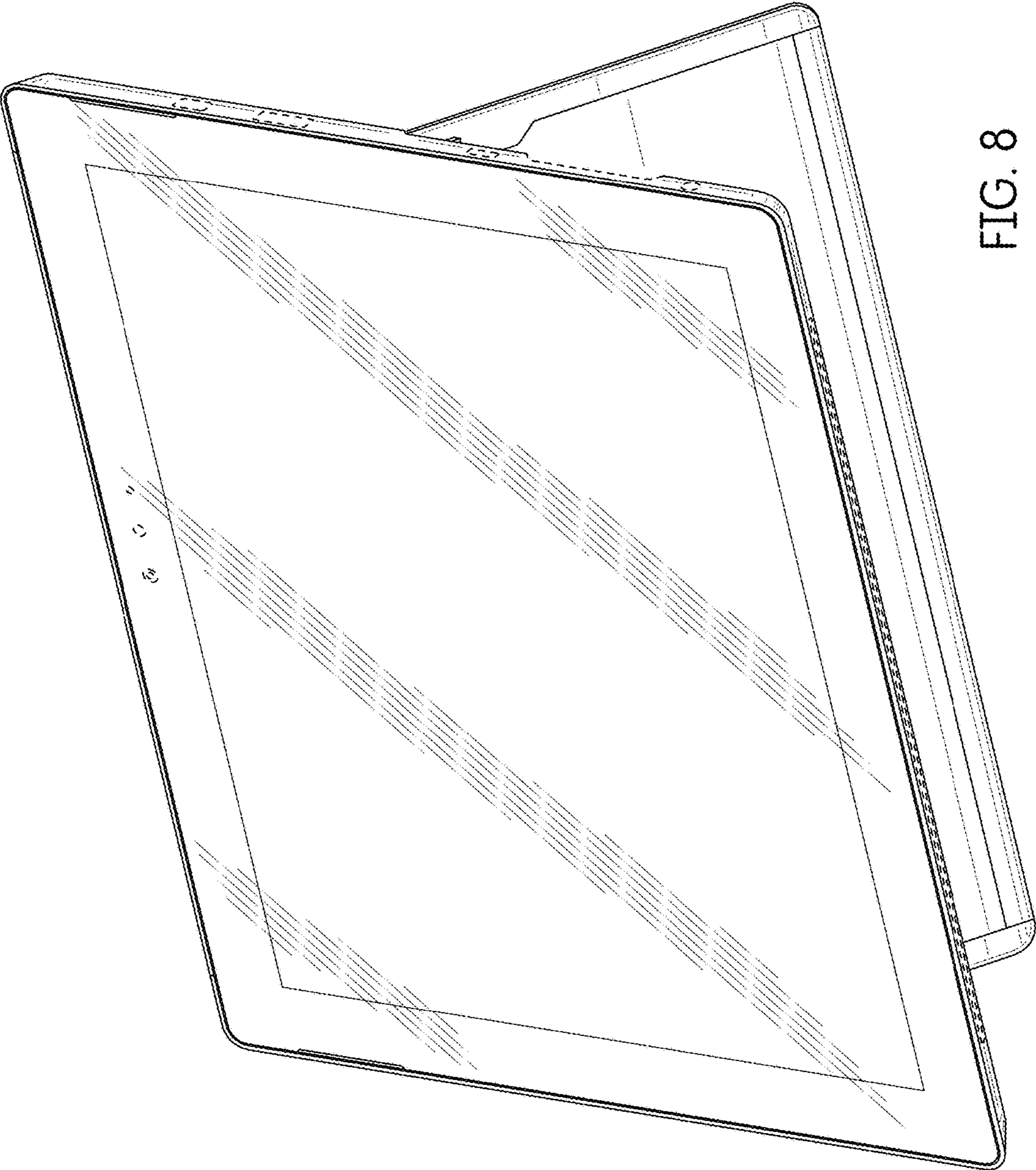


FIG. 8



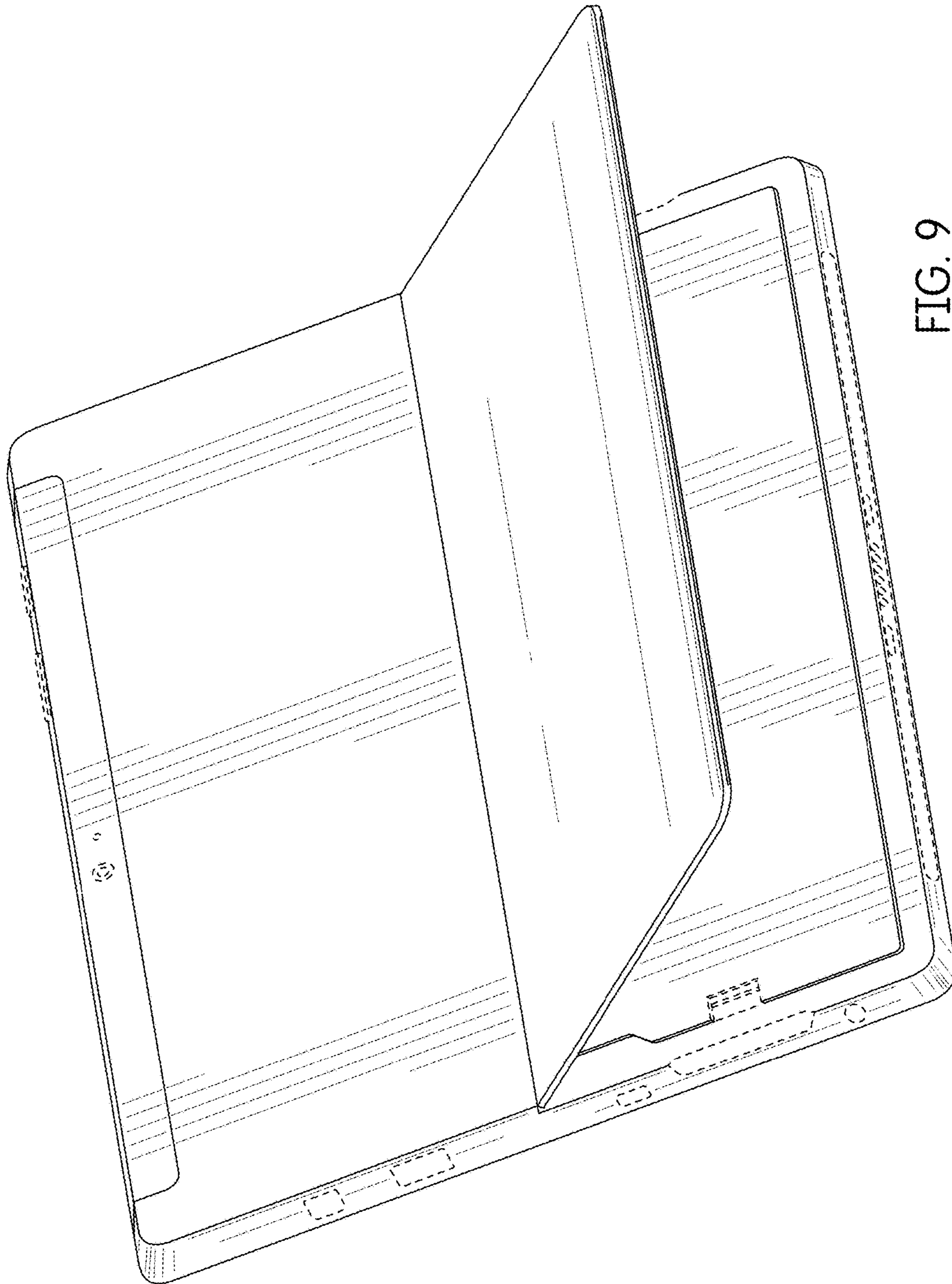


FIG. 9

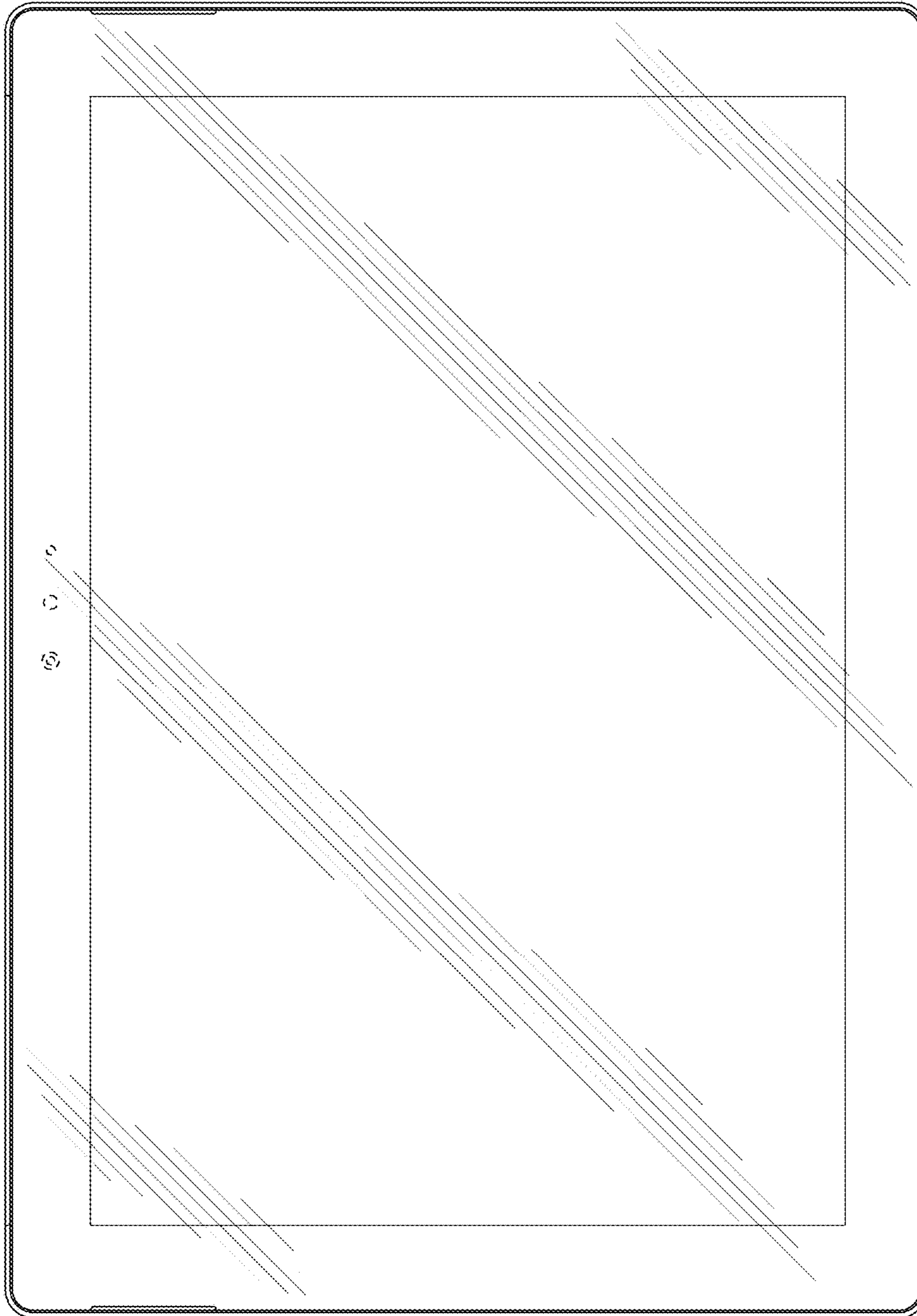


FIG. 10

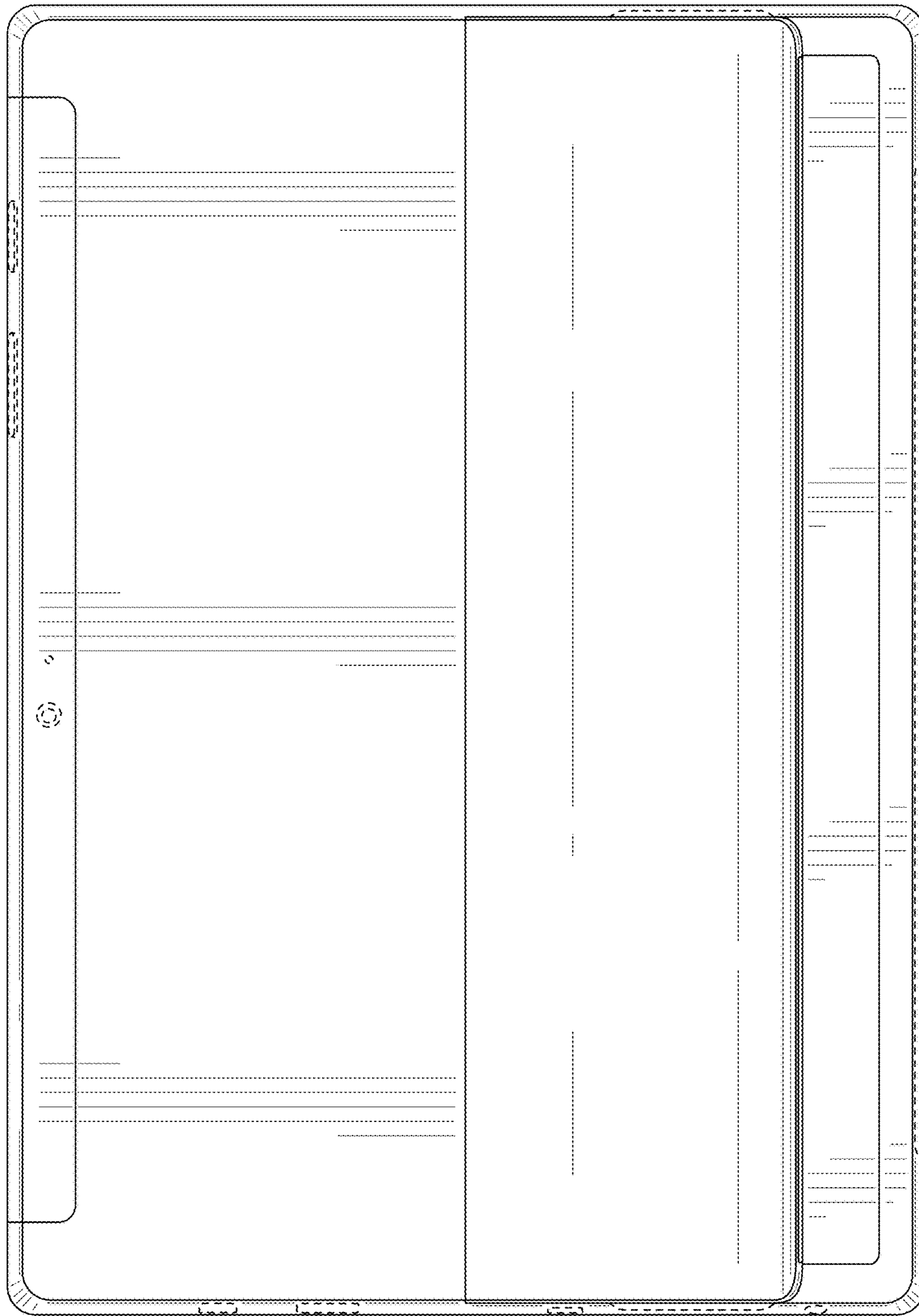


FIG. 11

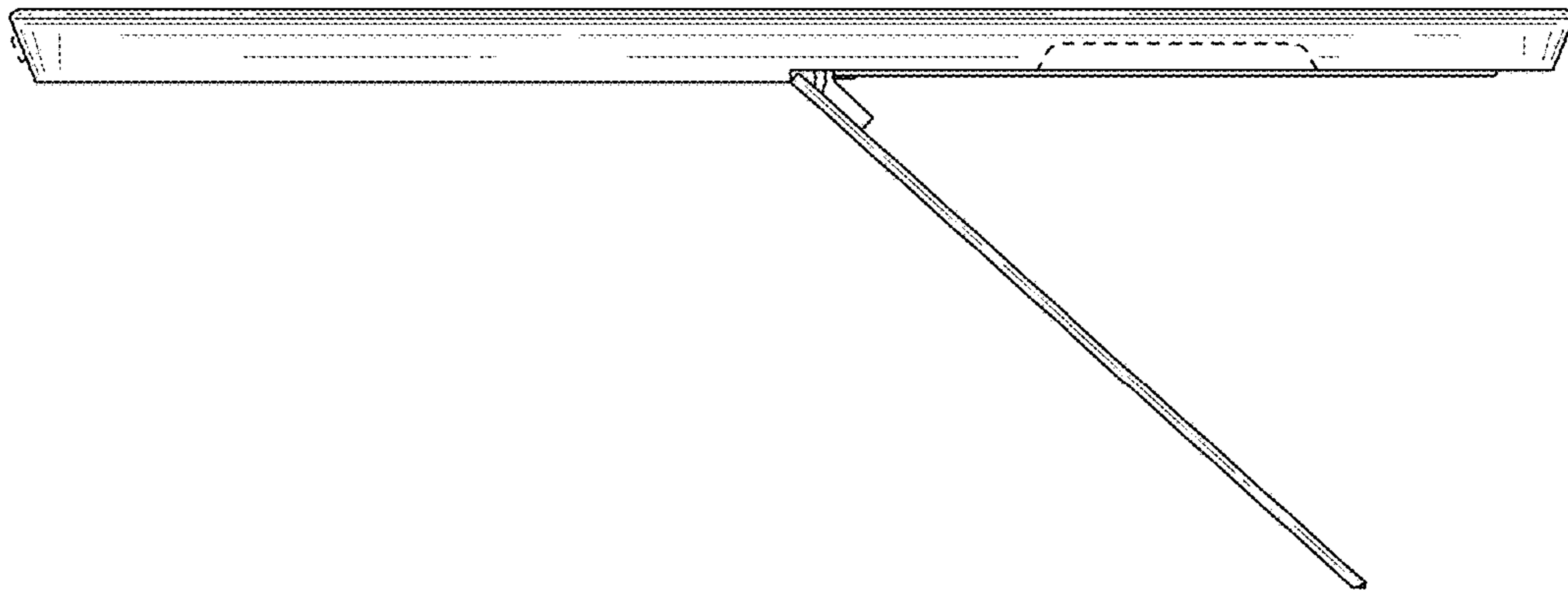


FIG. 13

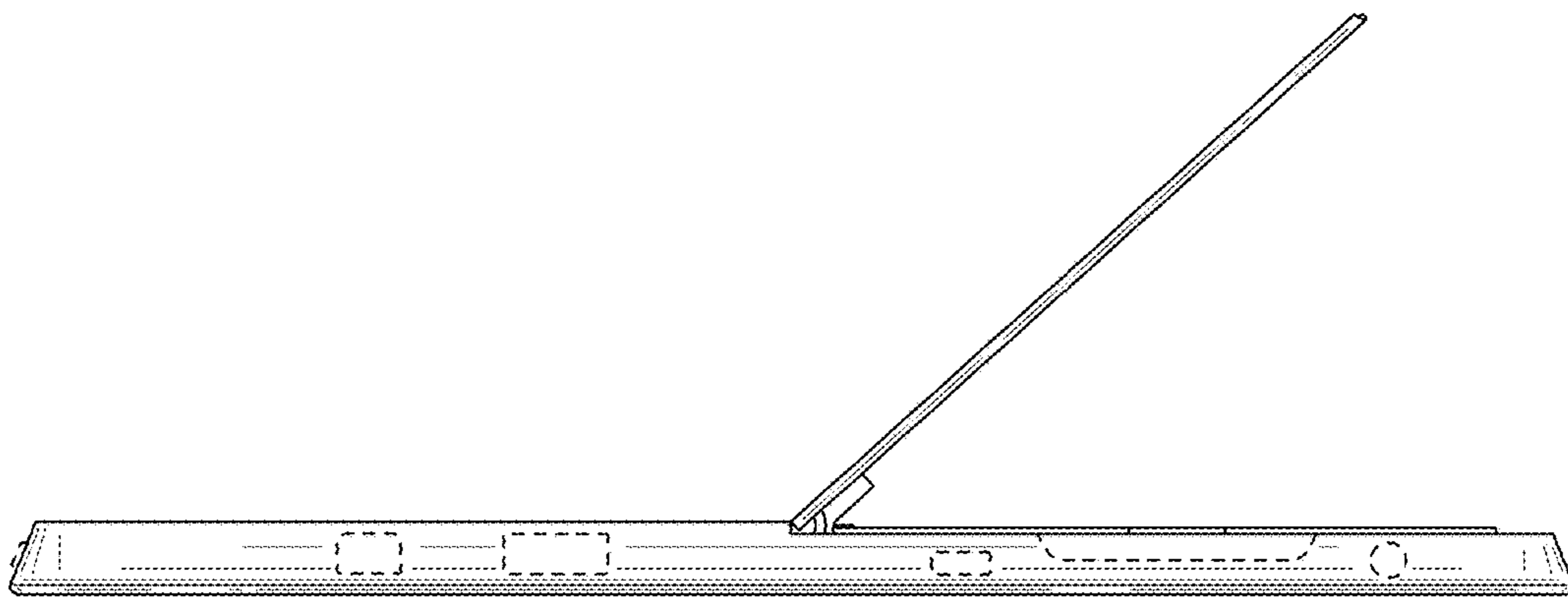


FIG. 12

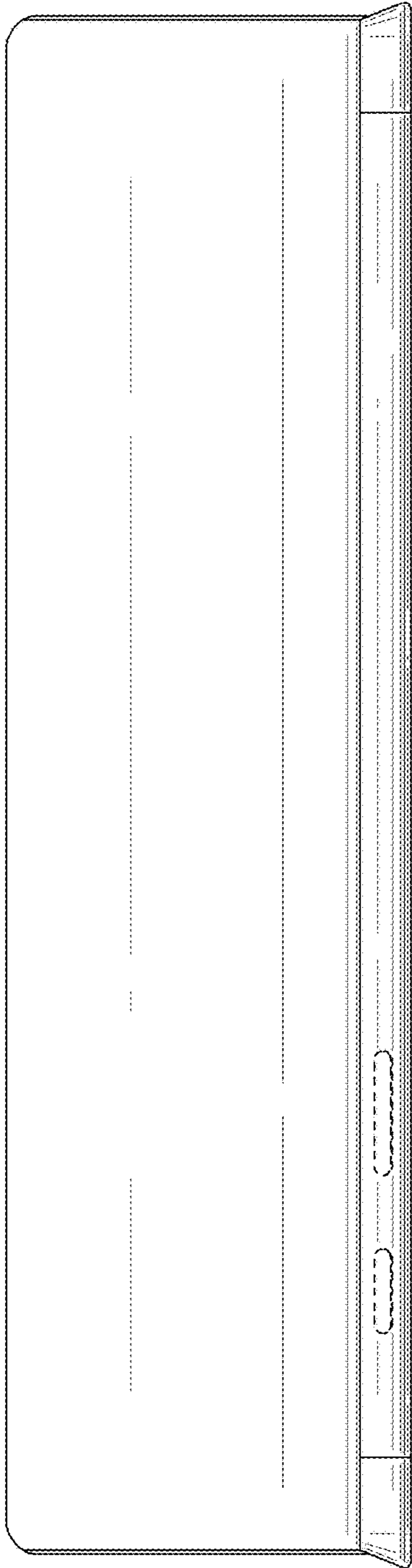


FIG. 14

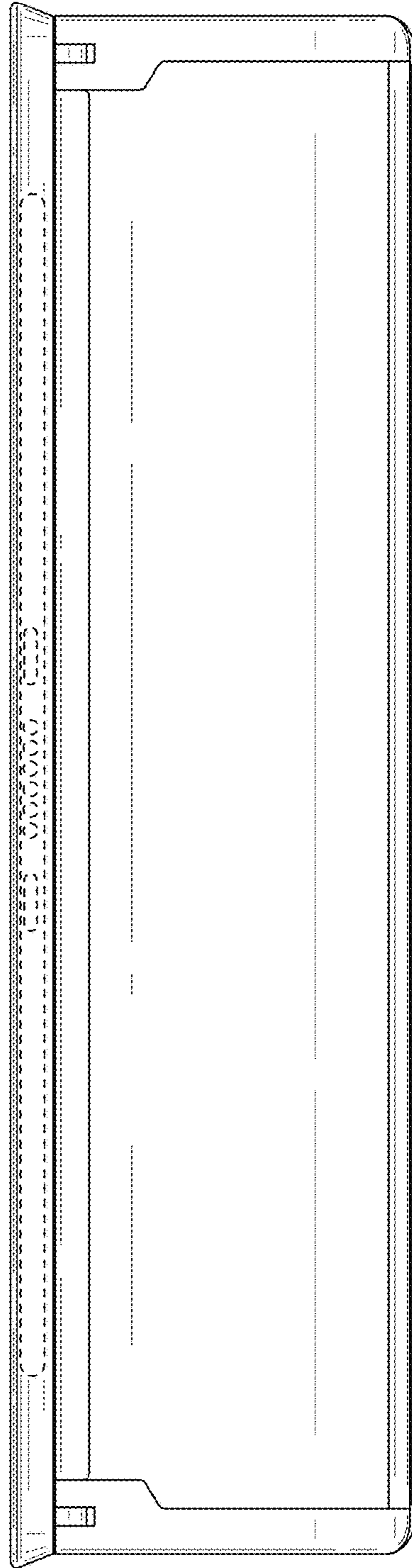


FIG. 15

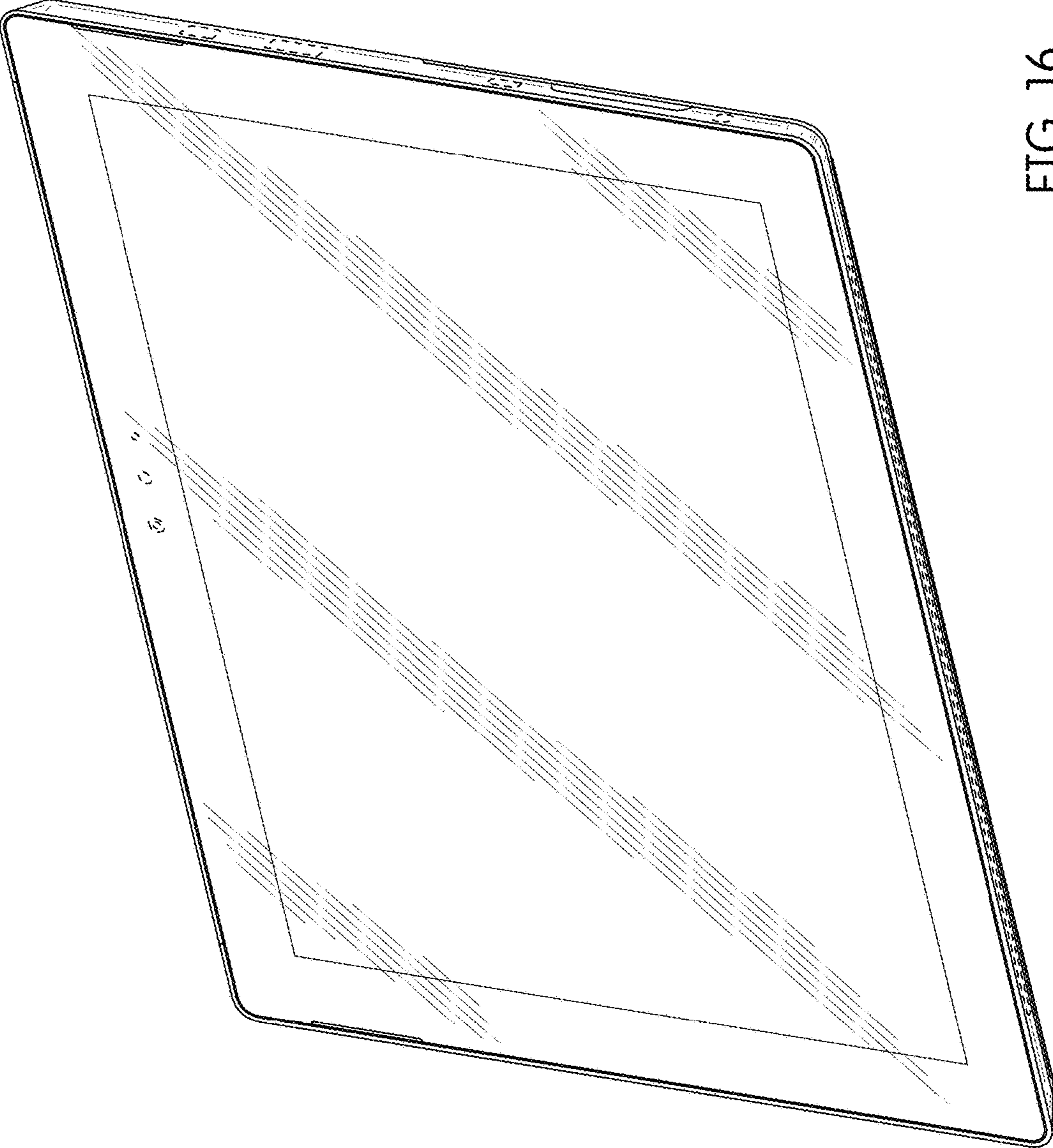


FIG. 16

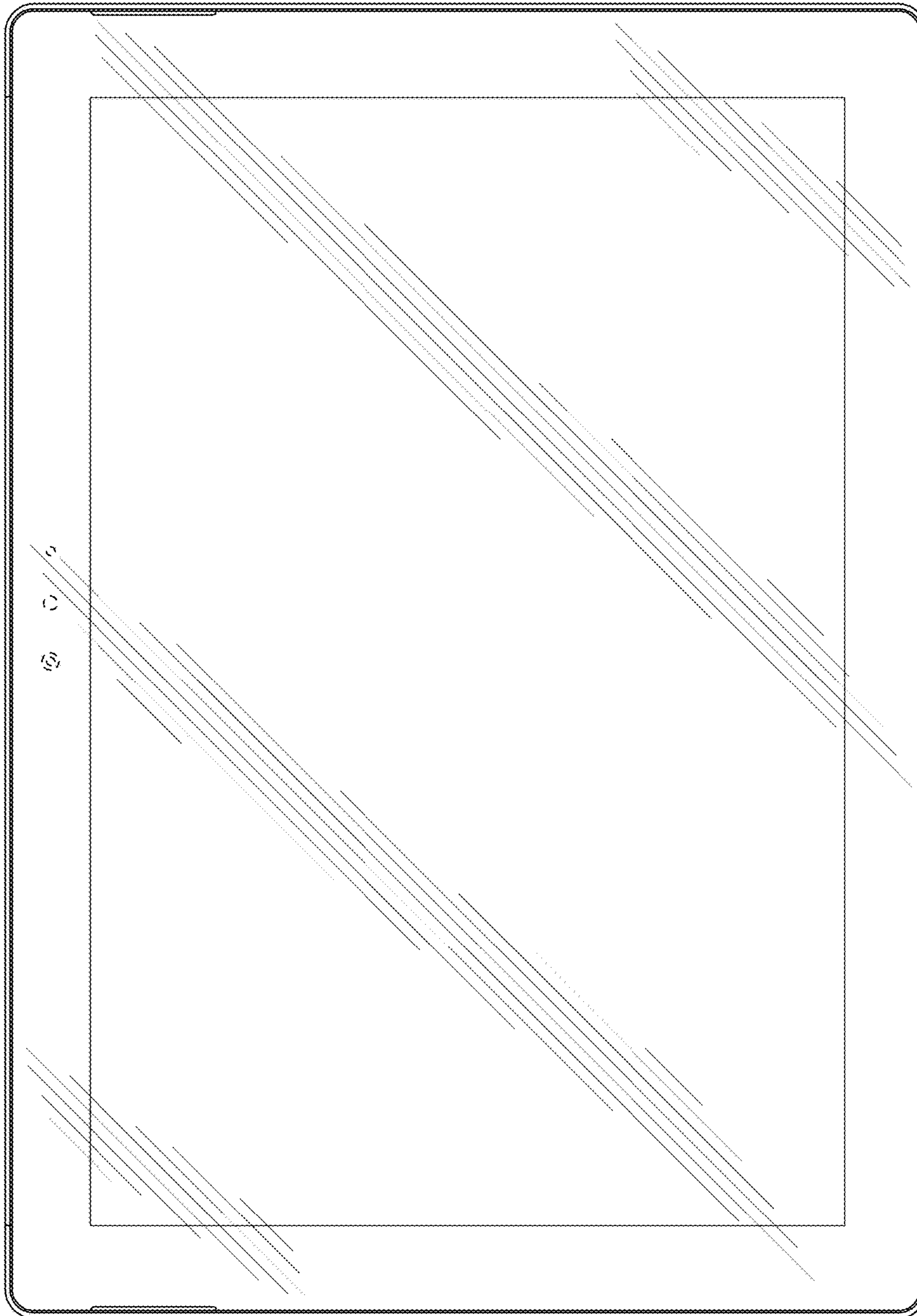


FIG. 17

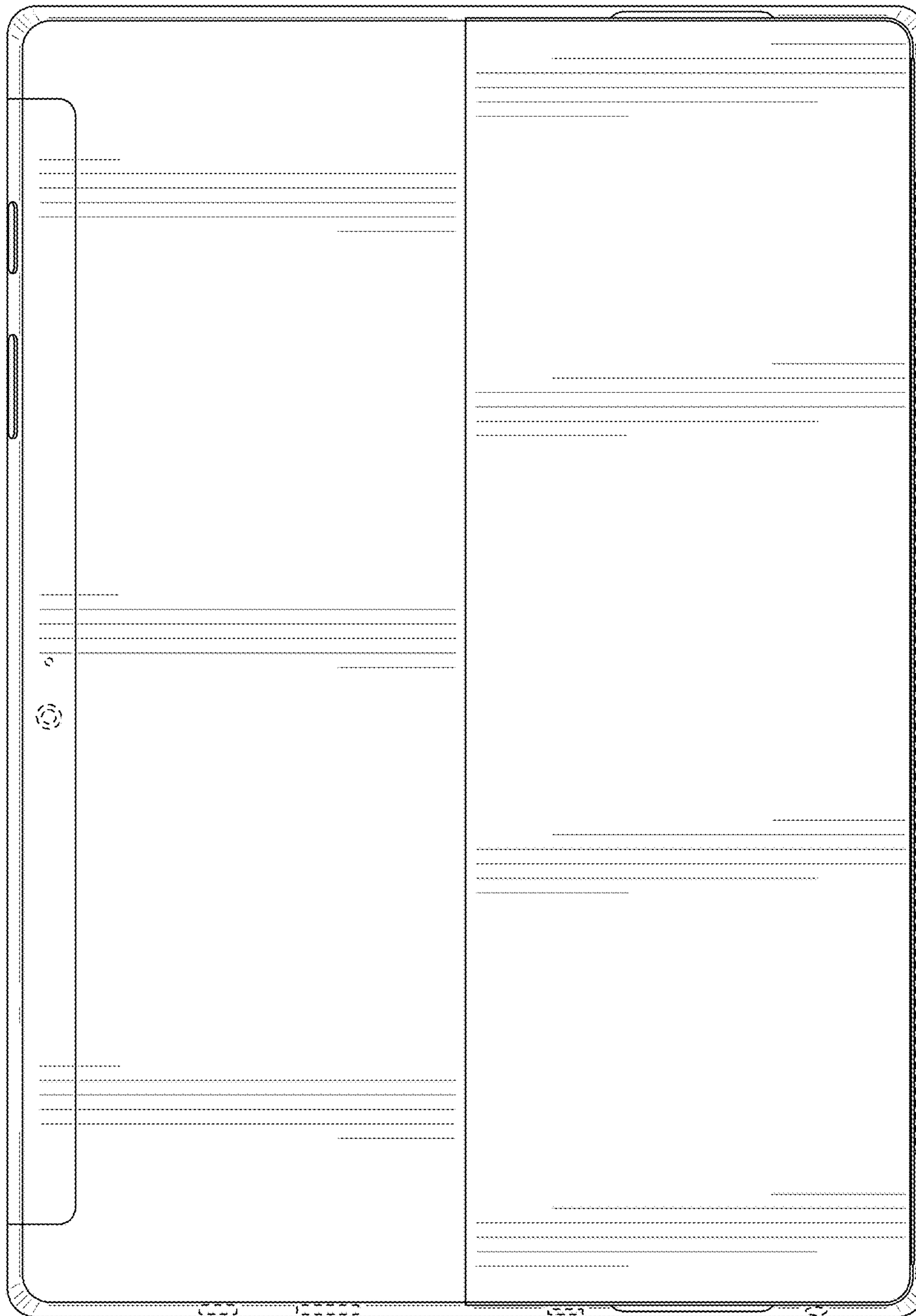


FIG. 18



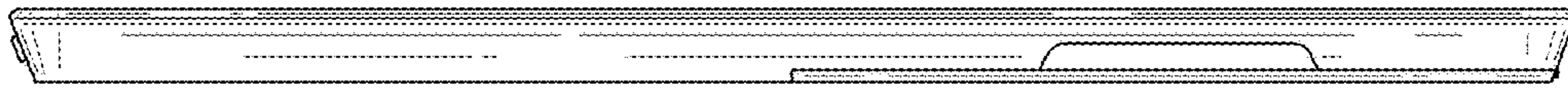


FIG. 20

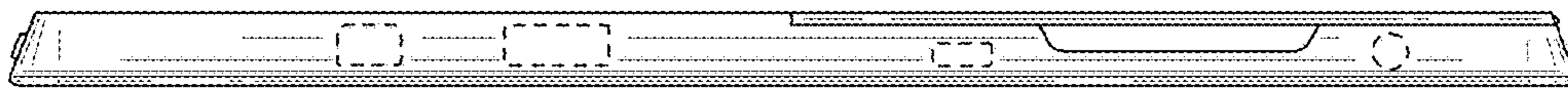


FIG. 19

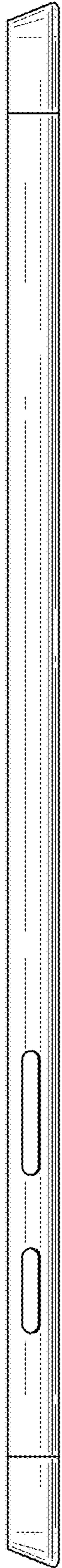


FIG. 21



FIG. 22

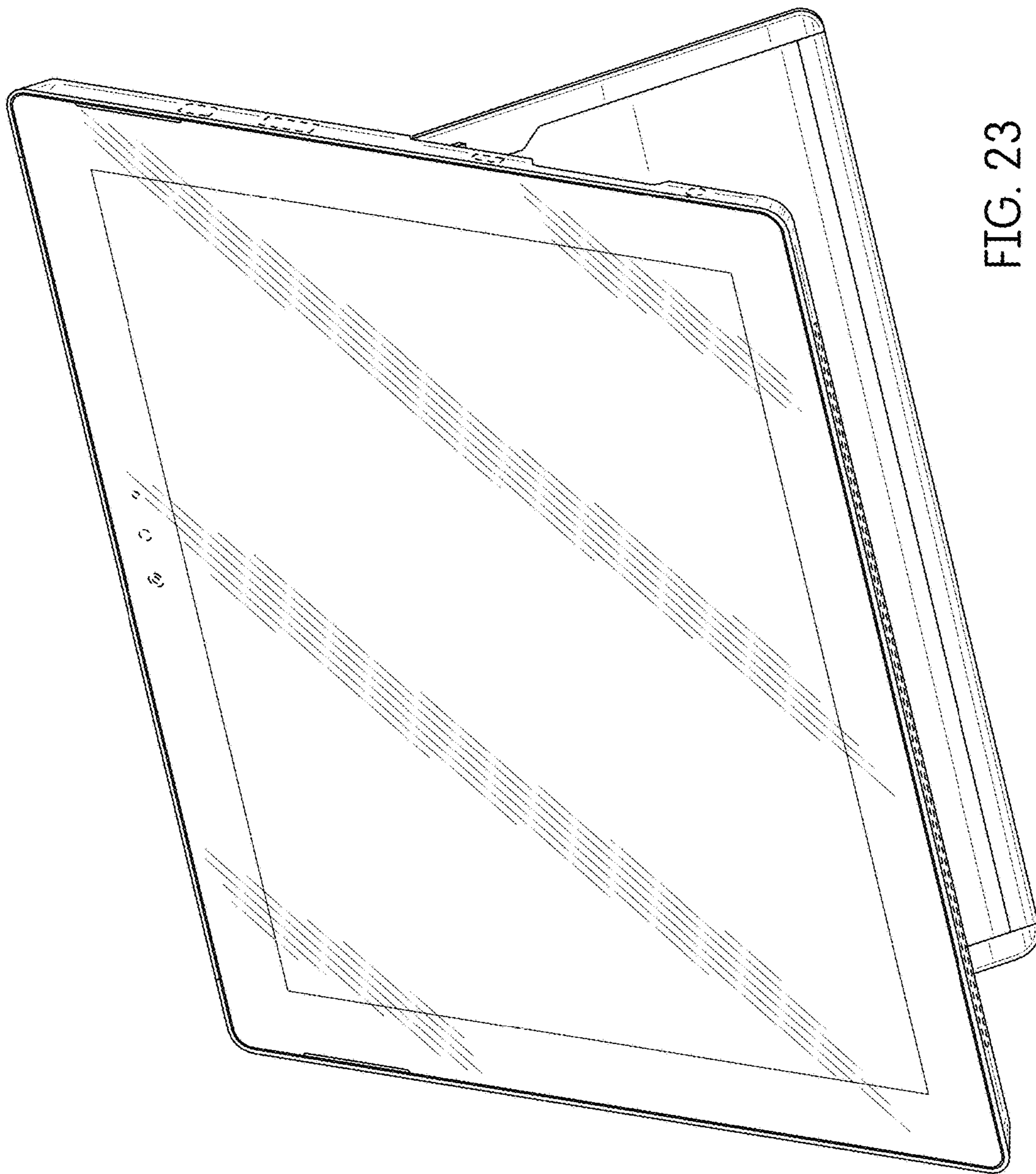


FIG. 23

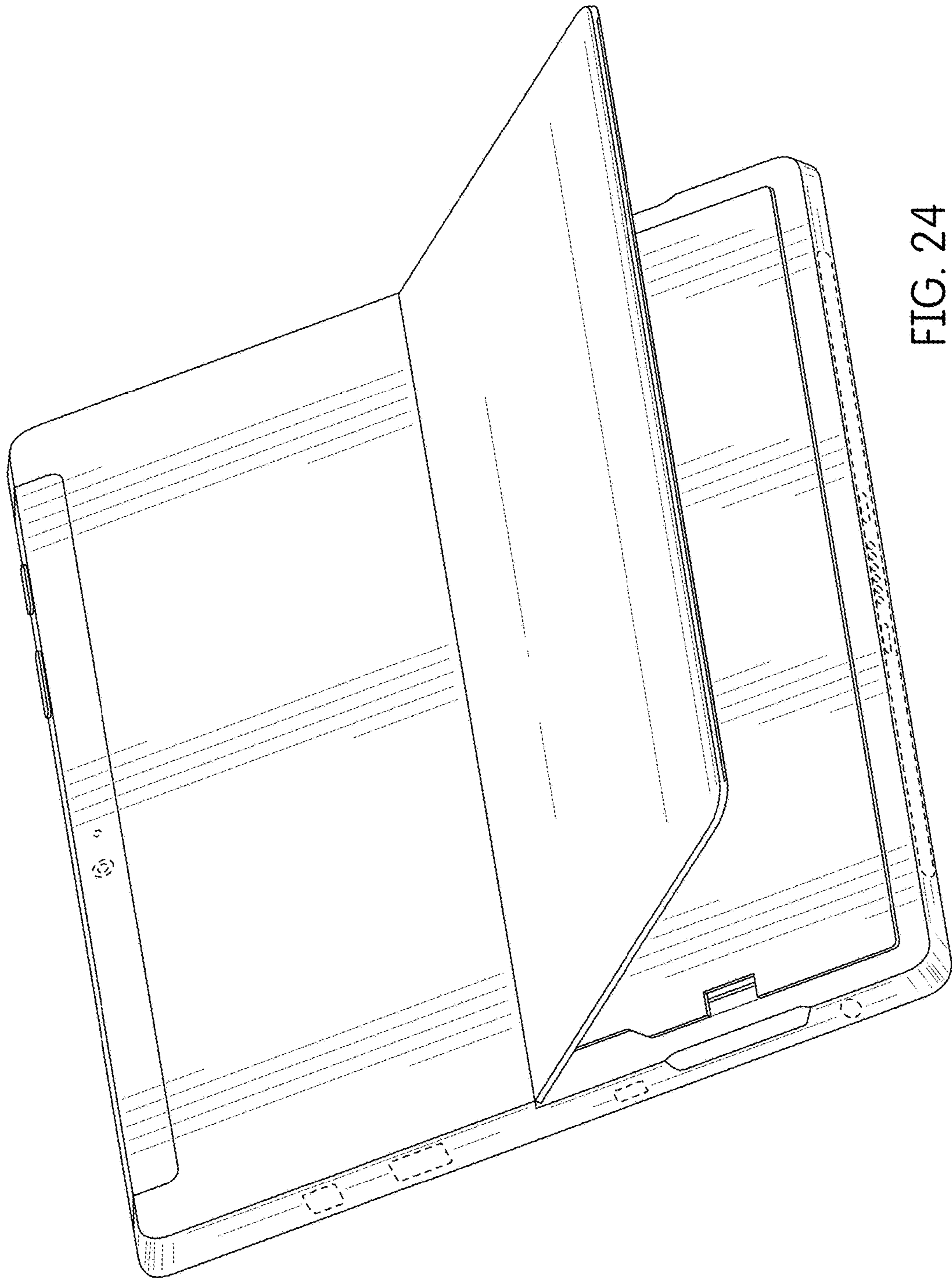


FIG. 24

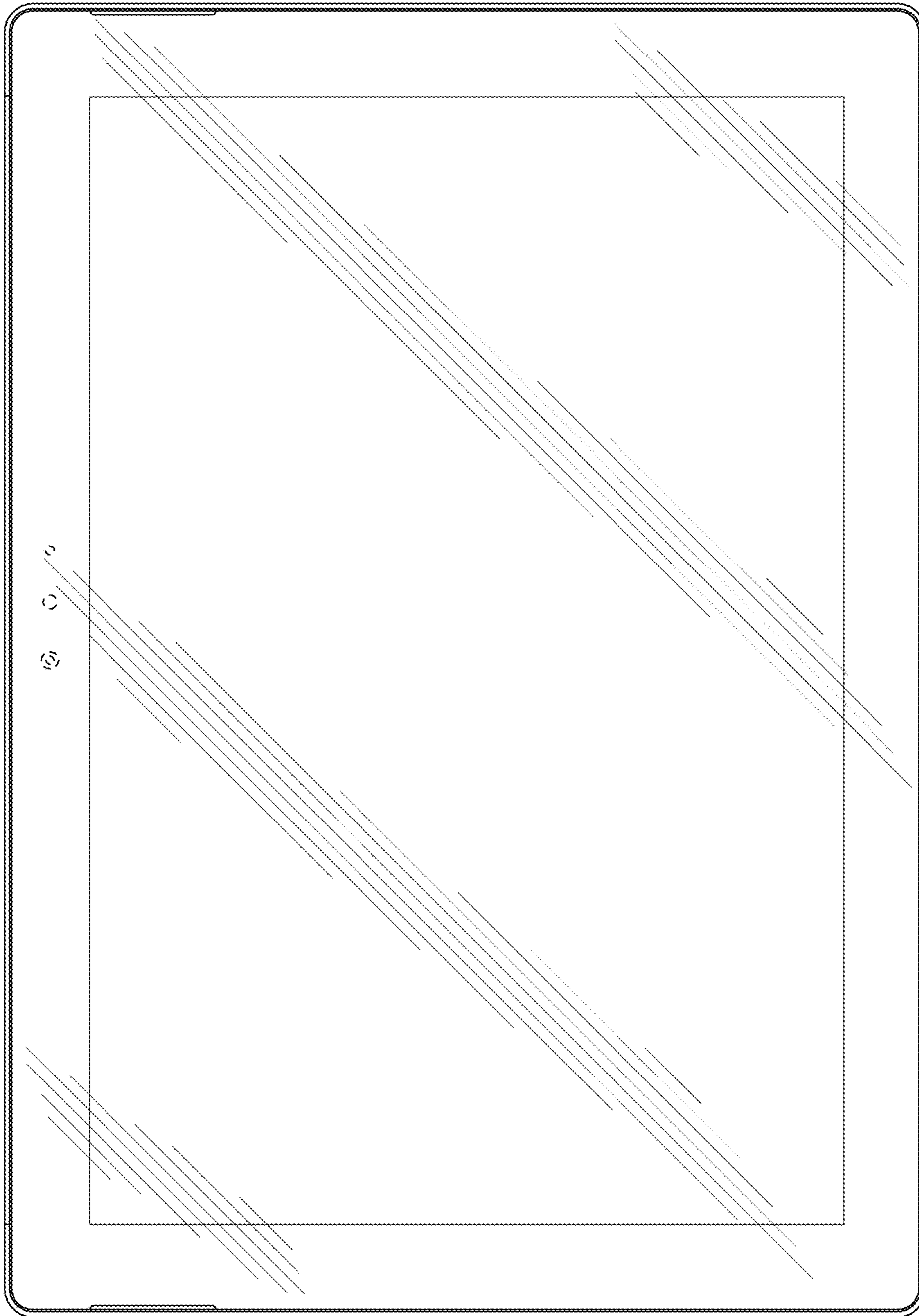


FIG. 25

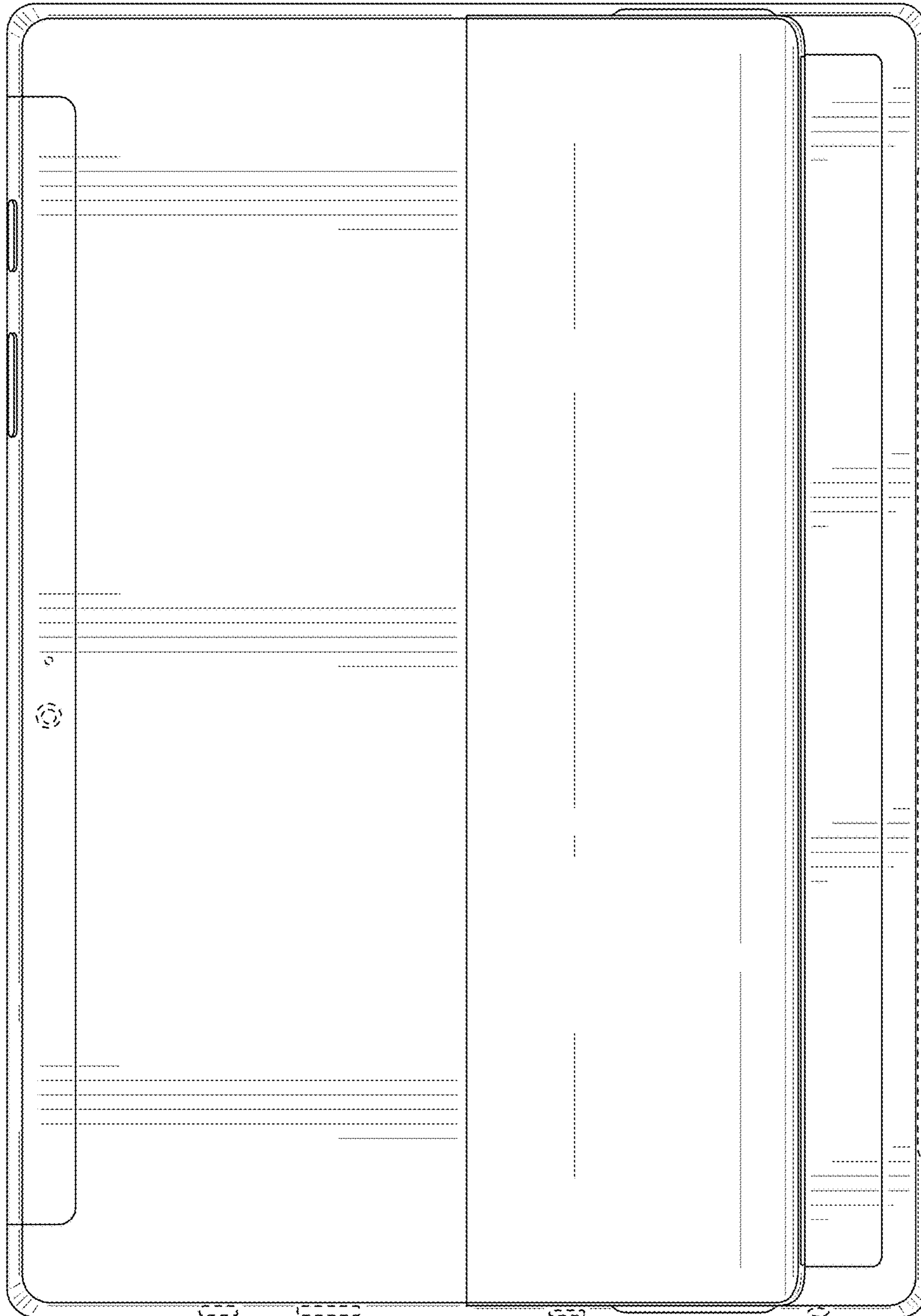


FIG. 26

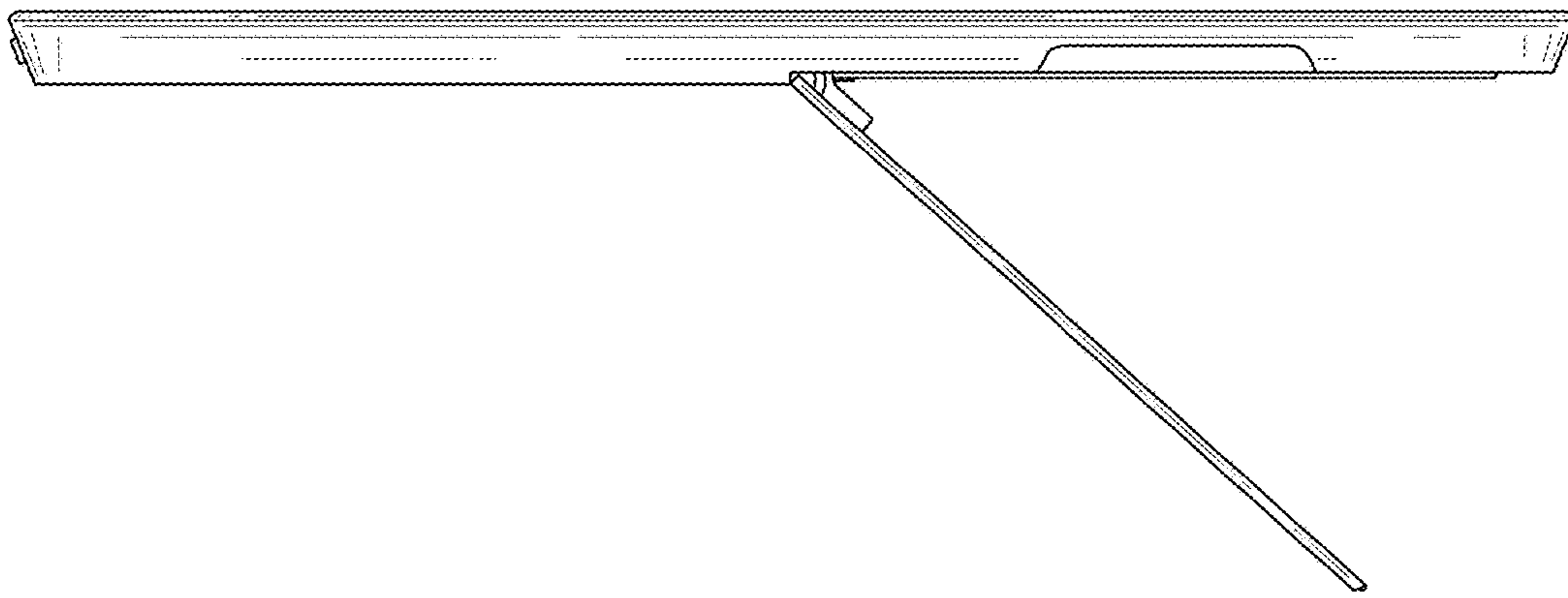


FIG. 28

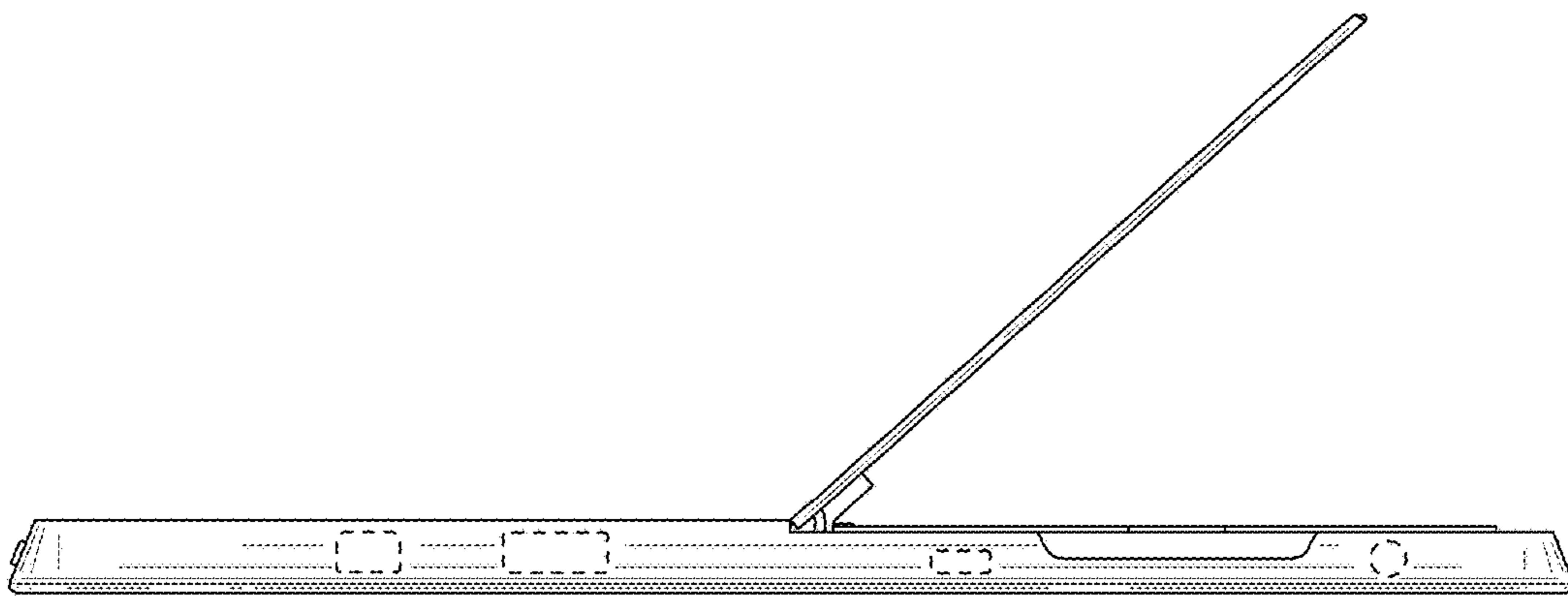


FIG. 27

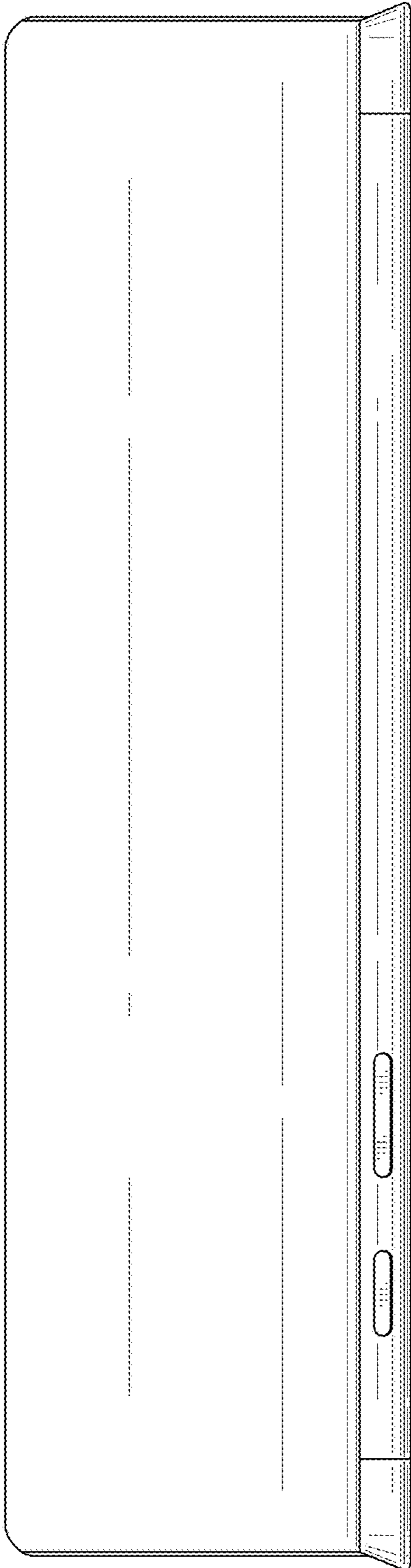


FIG. 29

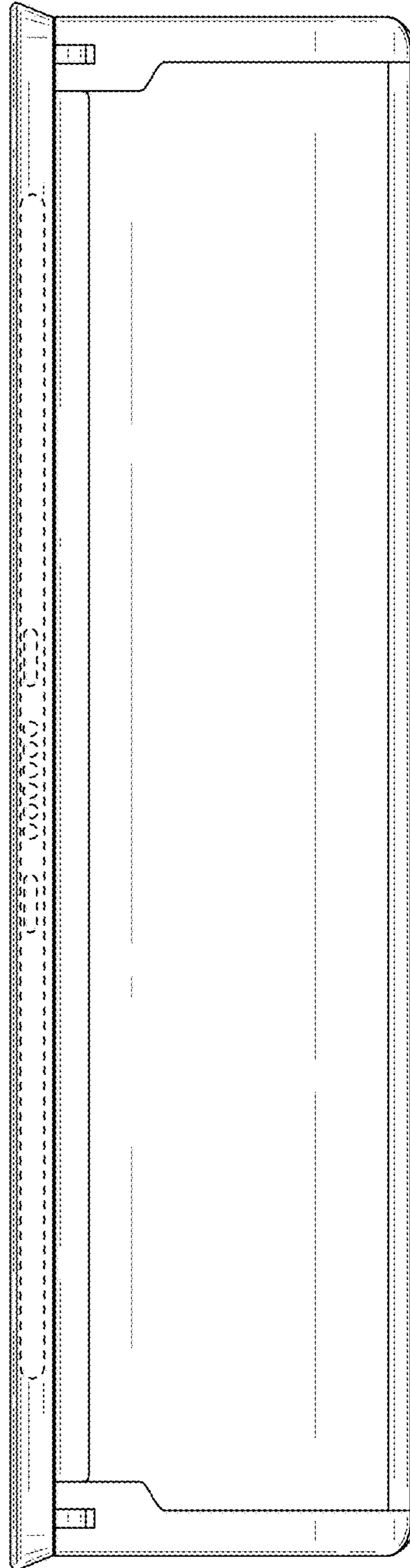


FIG. 30