



US00D782467S

(12) **United States Design Patent**
Bladwell

(10) **Patent No.:** **US D782,467 S**

(45) **Date of Patent:** **** Mar. 28, 2017**

(54) **FREESTANDING SELF ORDER KIOSK**

(71) Applicant: **Joshua James Bladwell**, Alexandria (AU)

(72) Inventor: **Joshua James Bladwell**, Alexandria (AU)

(73) Assignee: **Coates Technology, Labs, Pty Limited**, Alexandria (AU)

(**) Term: **15 Years**

(21) Appl. No.: **29/559,612**

(22) Filed: **Mar. 30, 2016**

(51) **LOC (10) Cl.** **14-02**

(52) **U.S. Cl.**
USPC **D14/307**

(58) **Field of Classification Search**
USPC D14/167, 154, 168, 188, 496, 156, 160, D14/161, 162, 163, 164, 165, 158, 253, D14/192, 159, 155, 138 AB, 137, 104.1, D14/307; 455/351, 350, 353; D10/104, D10/106, 65, 78; 340/573.4, 573.1
CPC G08B 13/1672; G08B 13/19645; G08B 25/006; H04M 11/04

See application file for complete search history.

(56) **References Cited**

U.S. PATENT DOCUMENTS

D587,700 S * 3/2009 Corti D14/307
D639,800 S * 6/2011 Magruder D14/307

D646,269 S * 10/2011 Crick, Jr. D14/307
D671,535 S * 11/2012 Terashima D14/307
D717,785 S * 11/2014 Winston D14/307
D722,313 S * 2/2015 Birgeoglu D14/307
D723,026 S * 2/2015 Birgeoglu D14/307
D728,557 S * 5/2015 Soares D14/307
D732,015 S * 6/2015 Alekhin D14/307
D761,783 S * 7/2016 Kulkarni D14/300
D769,238 S * 10/2016 Birnie D14/307

* cited by examiner

Primary Examiner — Austin Murphy

(74) *Attorney, Agent, or Firm* — Ferdinand M Romano; Beusse Wolter Sanks & Maire, PLLC

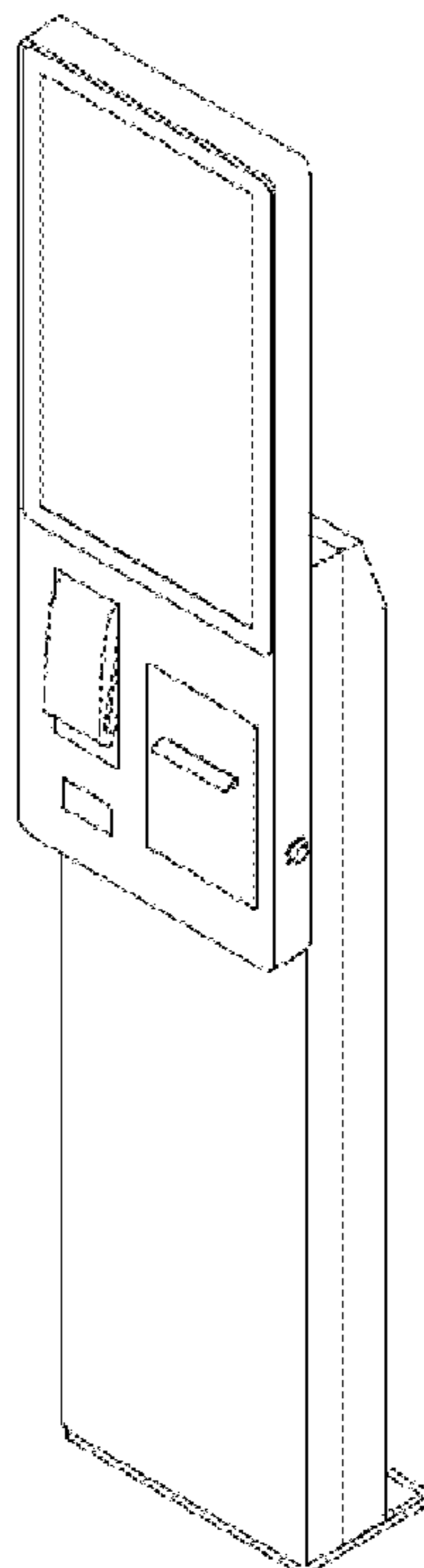
(57) **CLAIM**

The ornamental design of a freestanding self order kiosk, as shown and described.

DESCRIPTION

FIG. 1 is a front perspective view of a freestanding self order kiosk in accordance with the present invention;
FIG. 2 is a front view thereof;
FIG. 3 is a rear view thereof;
FIG. 4 is a right side view thereof;
FIG. 5 is a left side view thereof;
FIG. 6 is a top view thereof;
FIG. 7 is a rear perspective view thereof; and,
FIG. 8 is a bottom view thereof.

1 Claim, 6 Drawing Sheets



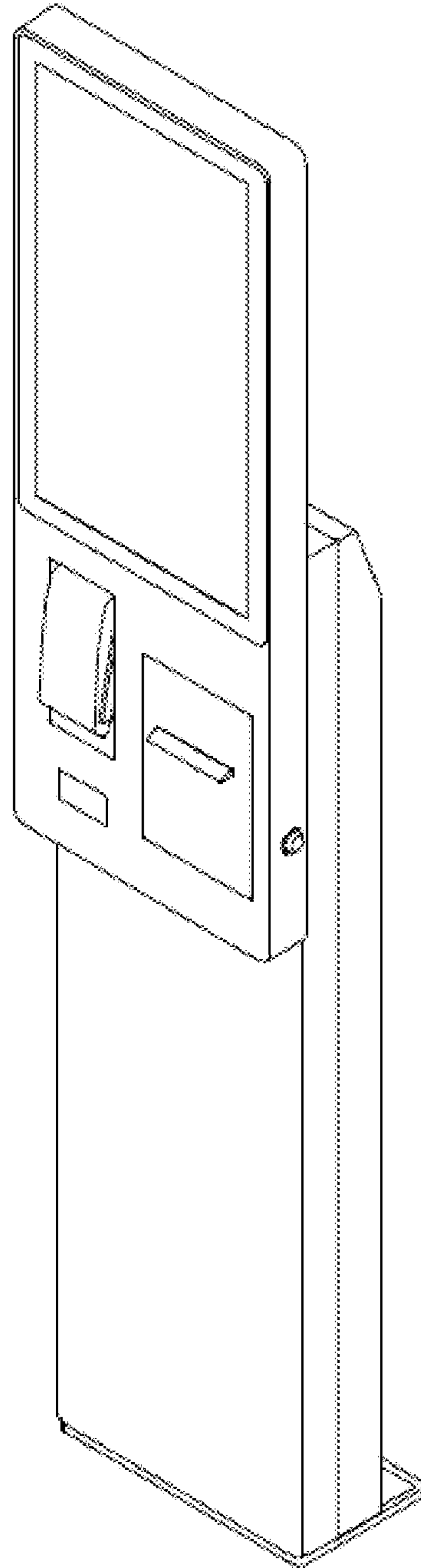


Figure 1

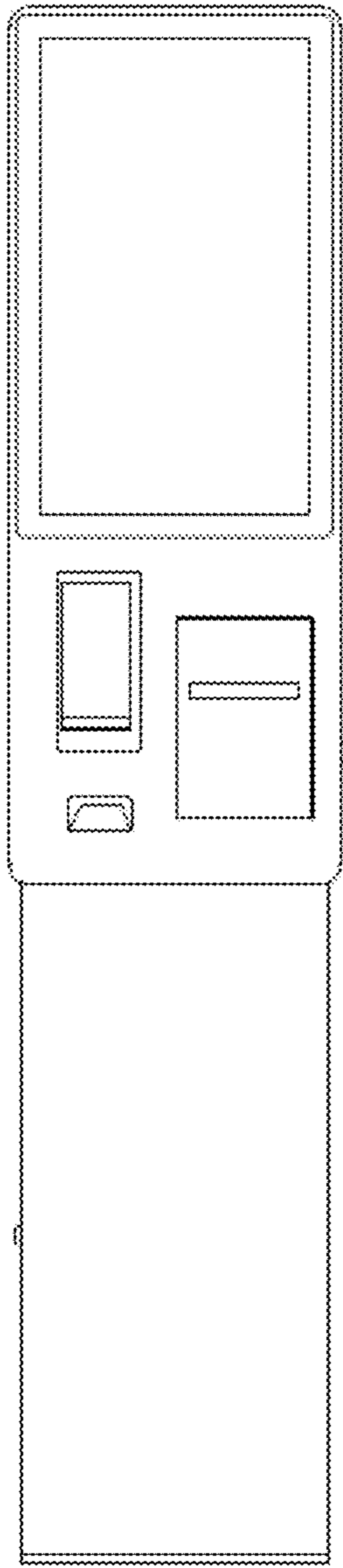


Figure 2

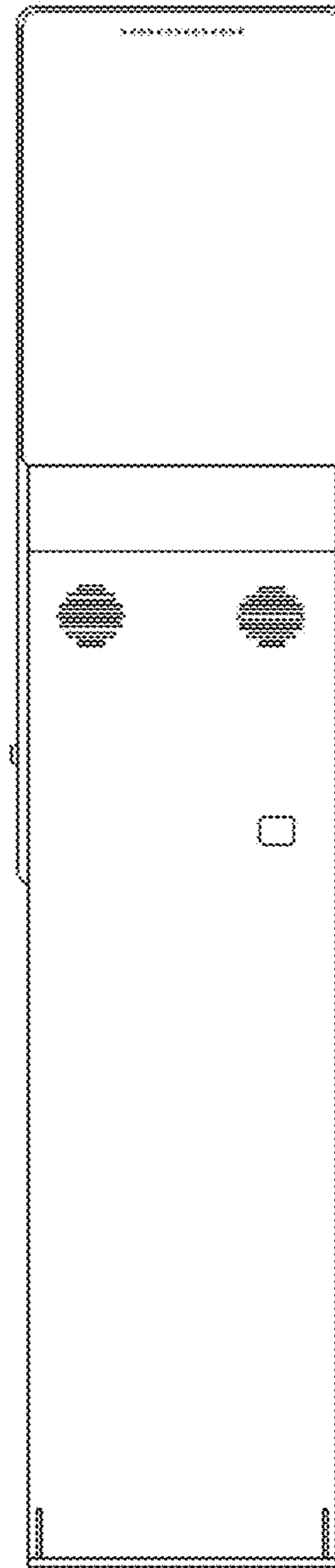


Figure 3

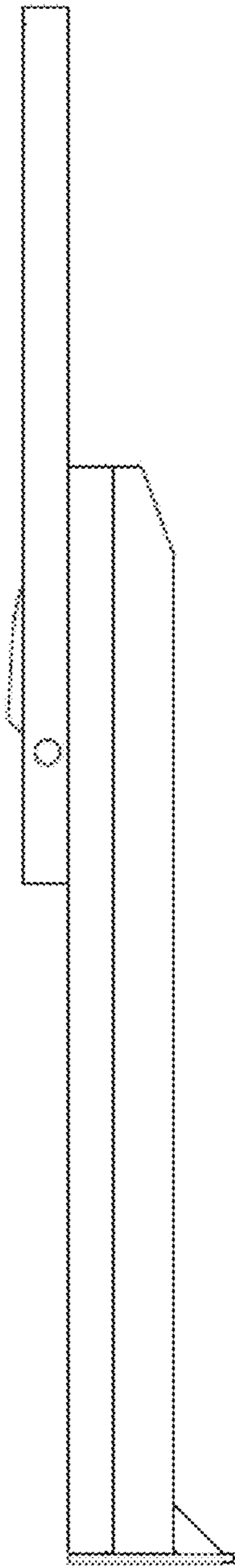


Figure 4

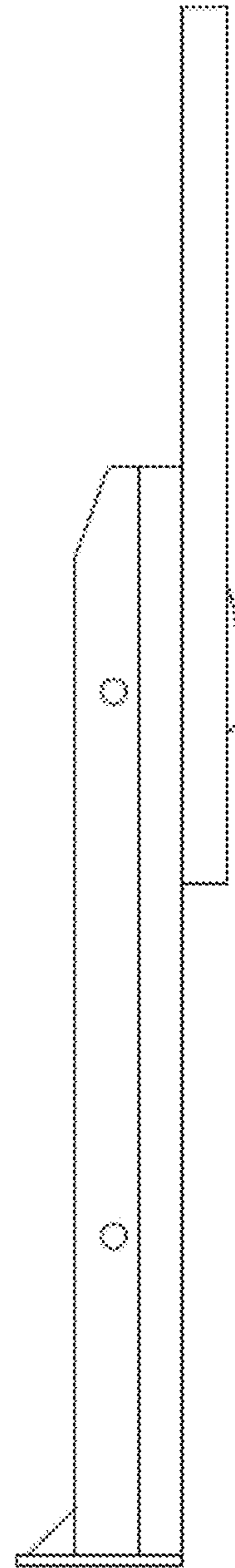


Figure 5

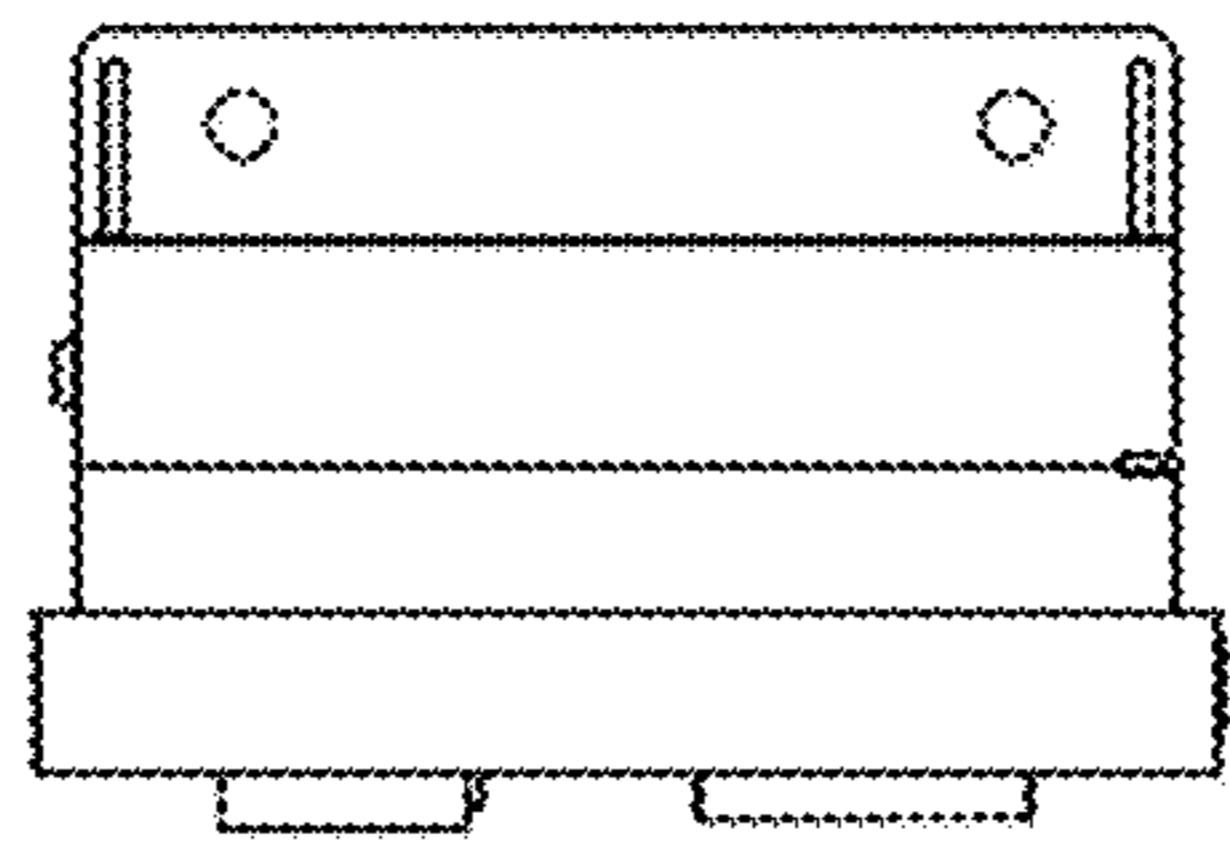


Figure 6

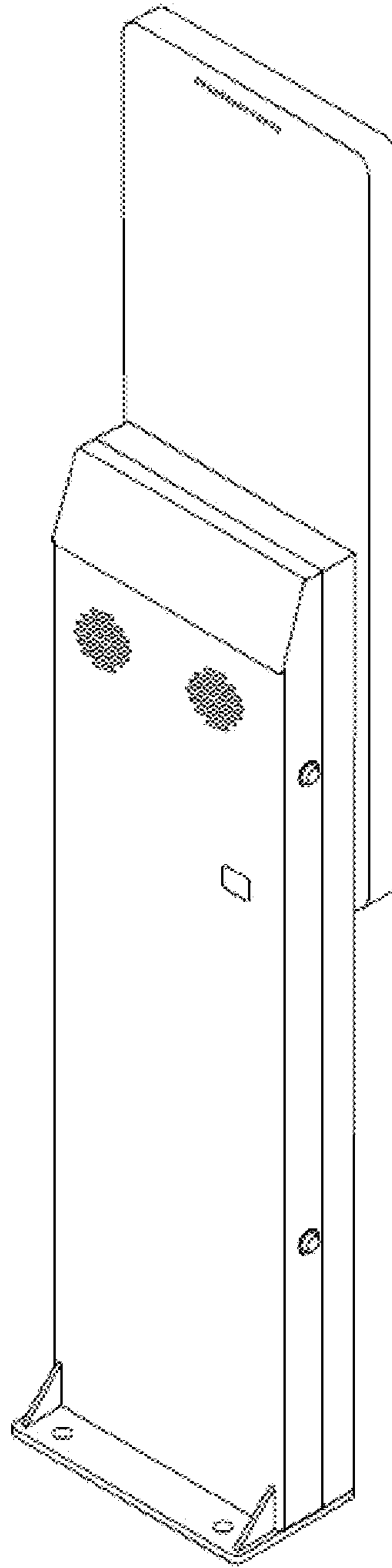


Figure 7

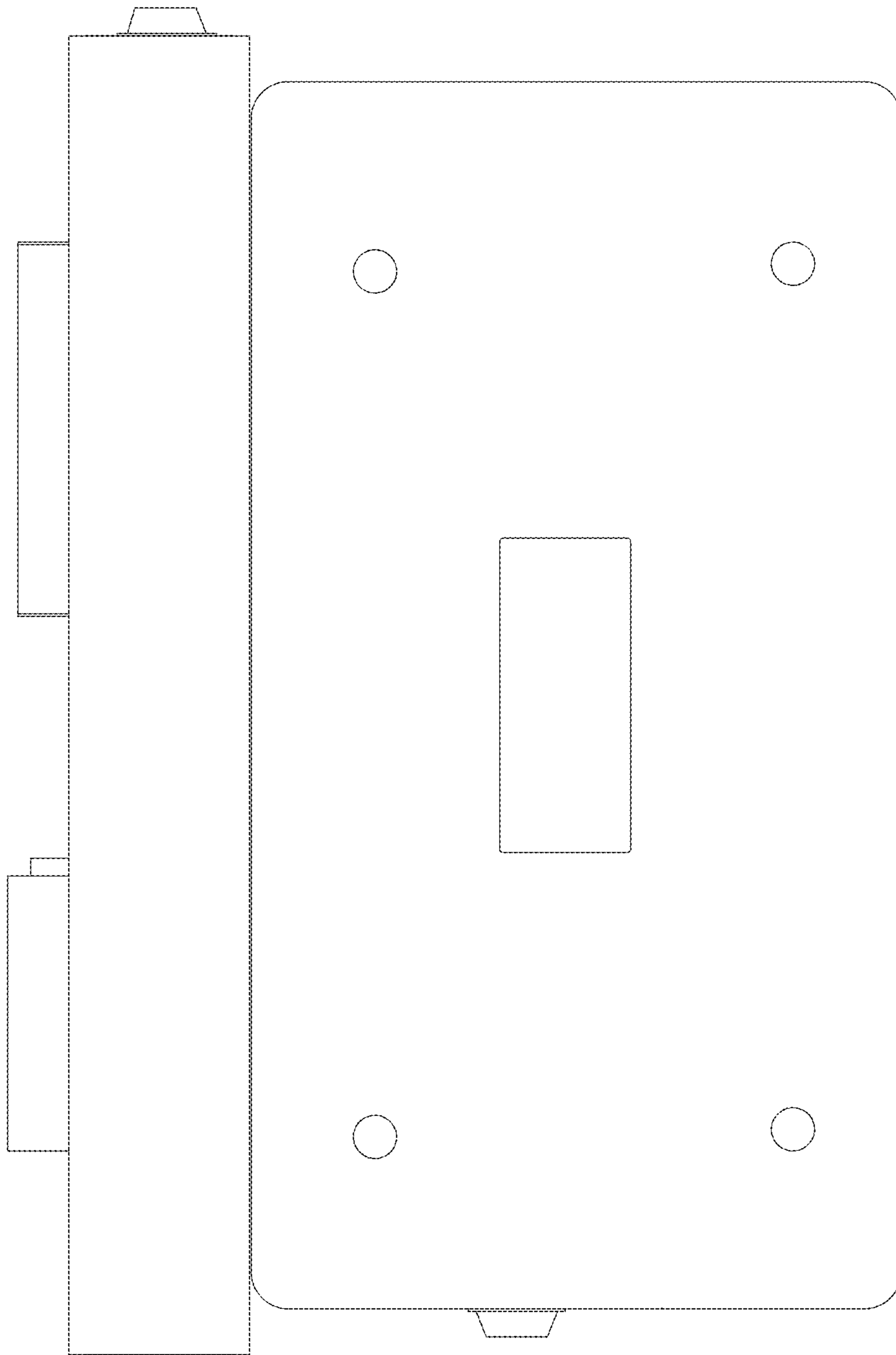


Figure 8