



US00D782466S

(12) **United States Design Patent**  
**Yepez et al.**

(10) **Patent No.:** **US D782,466 S**

(45) **Date of Patent:** **\*\* Mar. 28, 2017**

(54) **TERMINAL**

(71) Applicant: **NCR Corporation**, Duluth, GA (US)

(72) Inventors: **Rafael Yepez**, Duluth, GA (US); **Kwan Lee**, Duluth, GA (US)

(73) Assignee: **NCR Corporation**, Duluth, GA (US)

(\*\*) Term: **15 Years**

(21) Appl. No.: **29/558,705**

(22) Filed: **Mar. 21, 2016**

(51) **LOC (10) Cl.** ..... **14-02**

(52) **U.S. Cl.**  
USPC ..... **D14/307**

(58) **Field of Classification Search**  
USPC ..... D14/167, 154, 168, 188, 496, 156, 160,  
D14/161, 162, 163, 164, 165, 158, 253,  
D14/192, 159, 155, 138 AB, 137, 104.1,  
D14/307; 455/351, 350, 353; D10/104,  
D10/106, 65, 78; 340/573.4, 573.1  
CPC ..... G08B 13/1672; G08B 13/19645; G08B  
25/006; H04M 11/04  
See application file for complete search history.

(56) **References Cited**

**U.S. PATENT DOCUMENTS**

D425,875 S \* 5/2000 Wilson ..... D14/130  
7,546,957 B2 \* 6/2009 Melnik ..... G06Q 10/02  
235/380  
8,113,429 B2 \* 2/2012 Craig ..... G06L 7/109  
235/462.32  
D661,293 S \* 6/2012 Kuroda ..... D14/307

D676,038 S \* 2/2013 Masuda ..... D14/307  
D681,030 S \* 4/2013 Yepez ..... D14/307  
D690,293 S \* 9/2013 Wilson ..... D14/307  
D691,141 S \* 10/2013 Cruz ..... D14/307  
D693,803 S \* 11/2013 Colley ..... D14/307  
D695,285 S \* 12/2013 Smith ..... D14/307  
D707,674 S \* 6/2014 Daniel ..... D14/307  
D730,890 S \* 6/2015 Kraft ..... D14/307  
D732,522 S \* 6/2015 Chadbourne ..... D14/307  
D734,314 S \* 7/2015 Swaine ..... D14/307  
D751,061 S \* 3/2016 Berini ..... D14/307  
D763,247 S \* 8/2016 Yepez ..... D14/307

\* cited by examiner

*Primary Examiner* — Austin Murphy

(74) *Attorney, Agent, or Firm* — Paul W. Martin

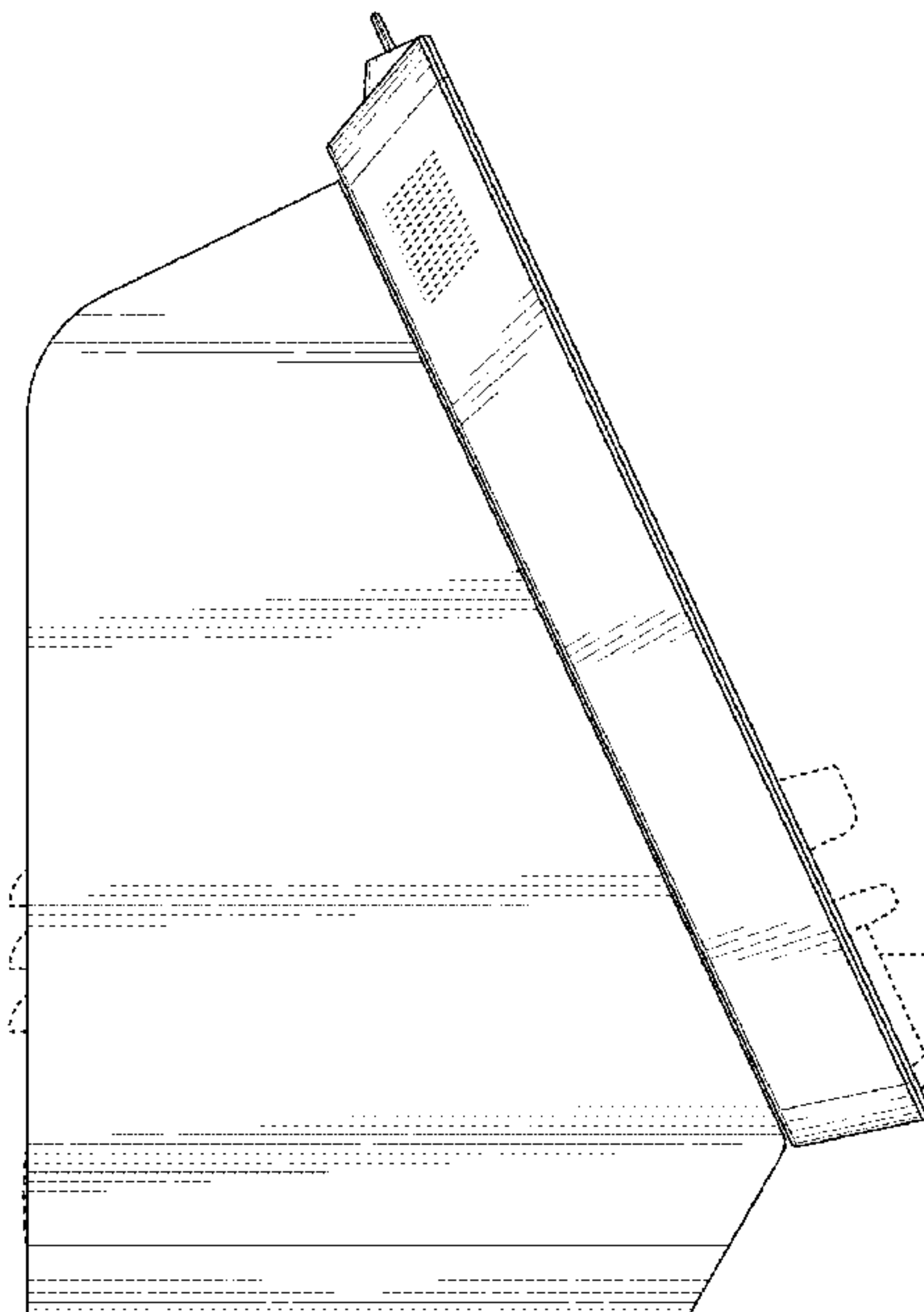
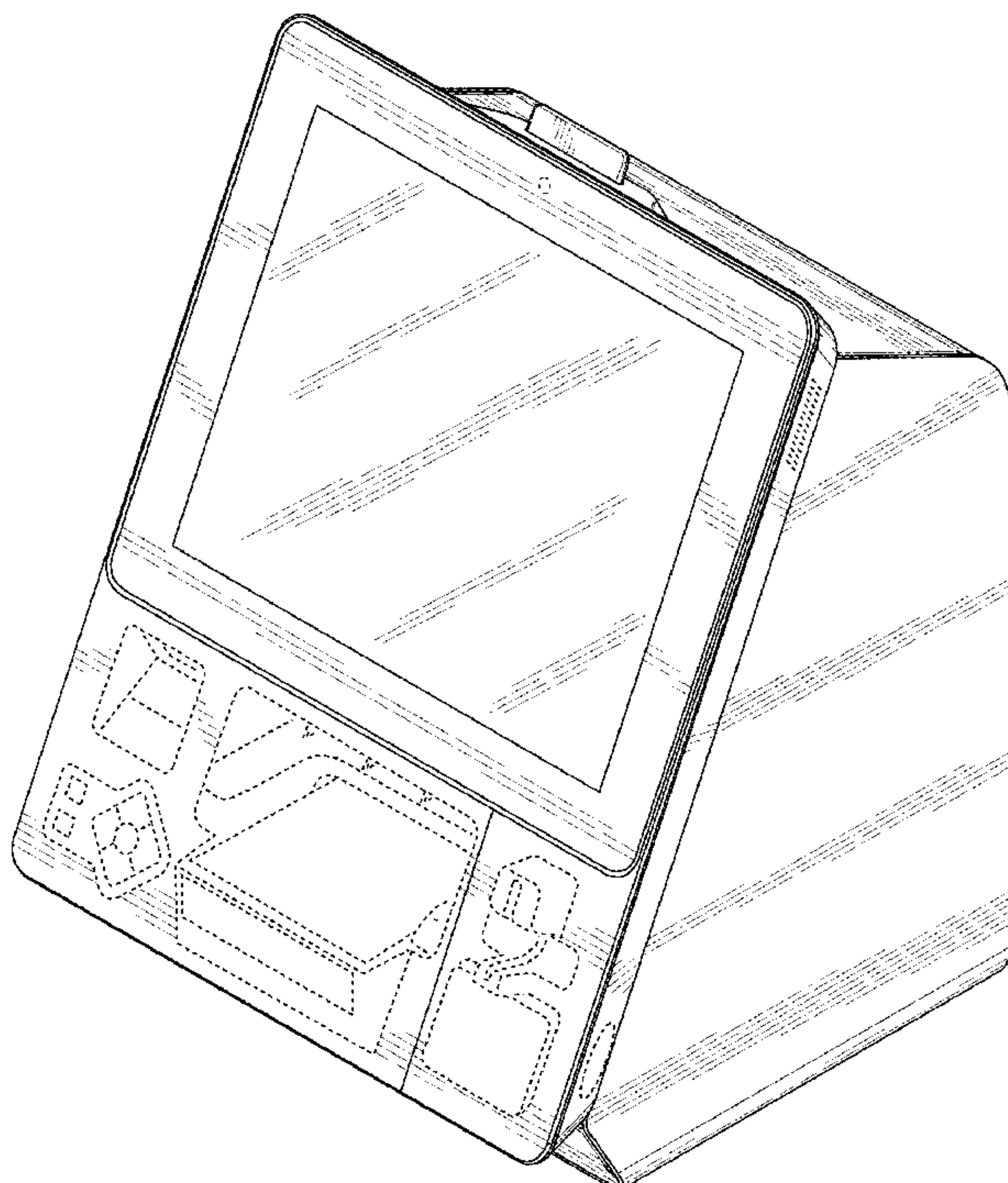
(57) **CLAIM**

The ornamental design for a terminal, as shown and described.

**DESCRIPTION**

FIG. 1 is a front perspective view of a terminal showing our new design;  
FIG. 2 is a right side view thereof;  
FIG. 3 is a left side view thereof;  
FIG. 4 is a front view thereof;  
FIG. 5 is a rear view thereof;  
FIG. 6 is a top view thereof;  
FIG. 7 is a bottom; and,  
FIG. 8 is a front perspective view of the terminal on a pedestal.

**1 Claim, 8 Drawing Sheets**



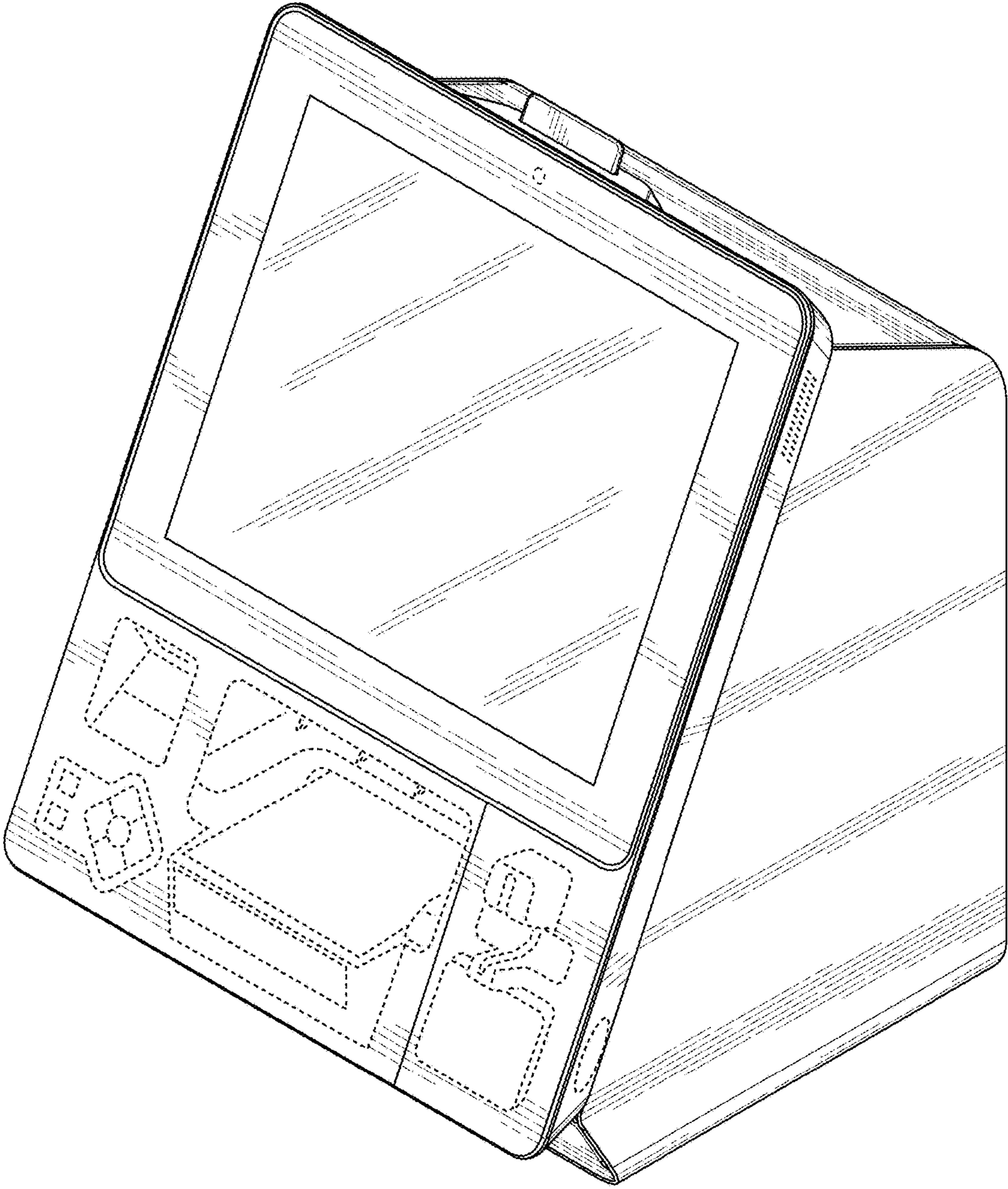


FIG. 1

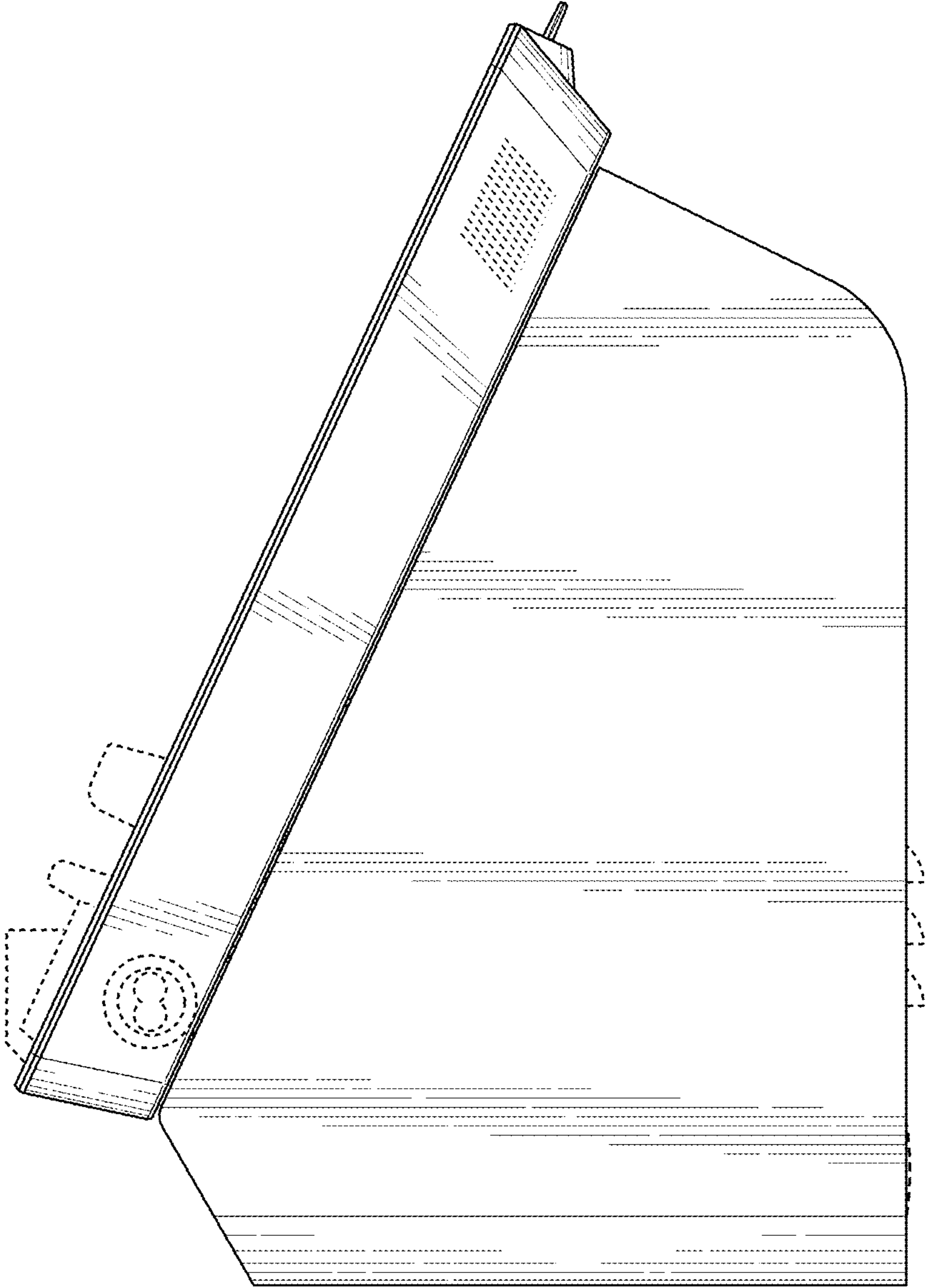


FIG. 2



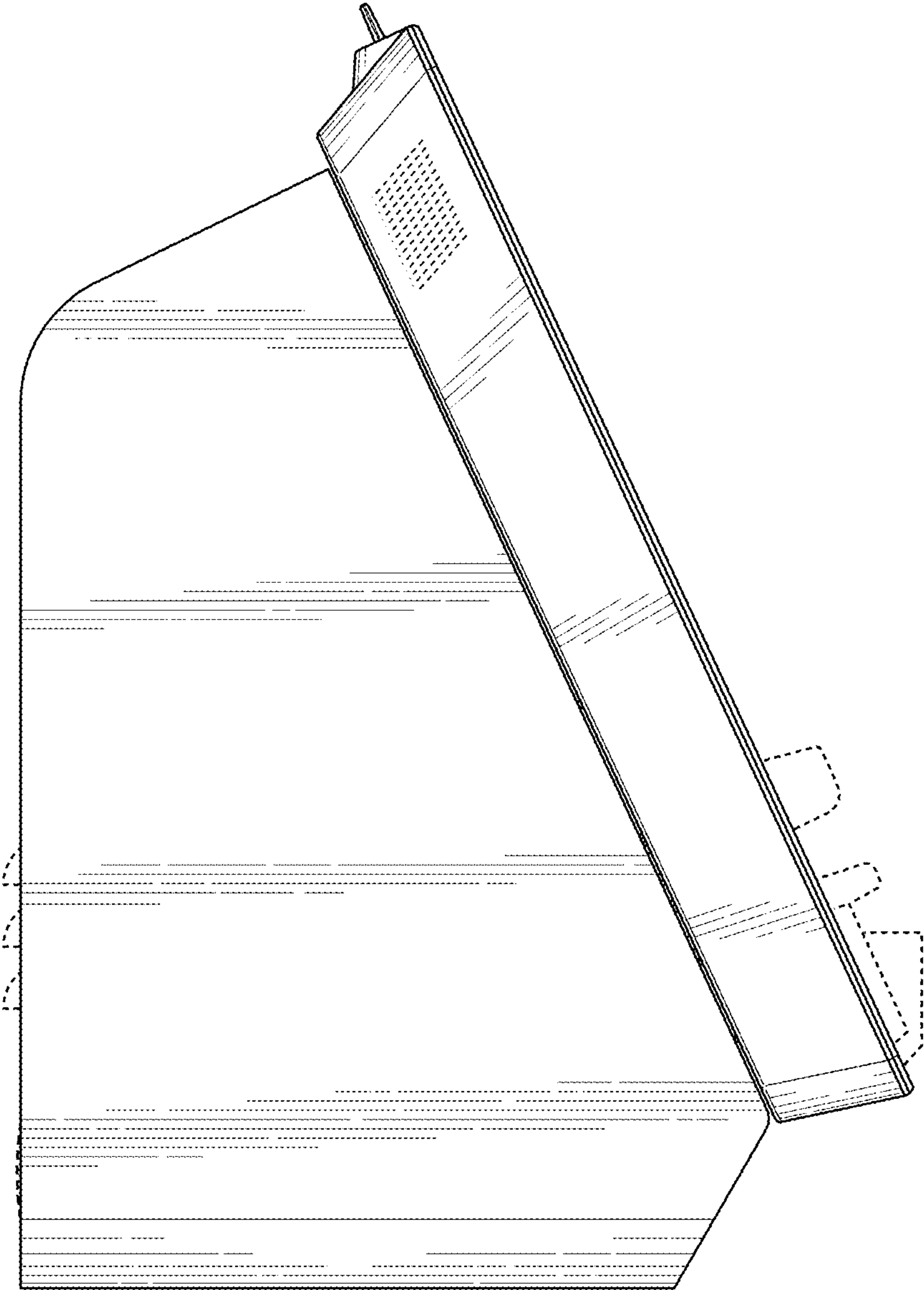


FIG. 3

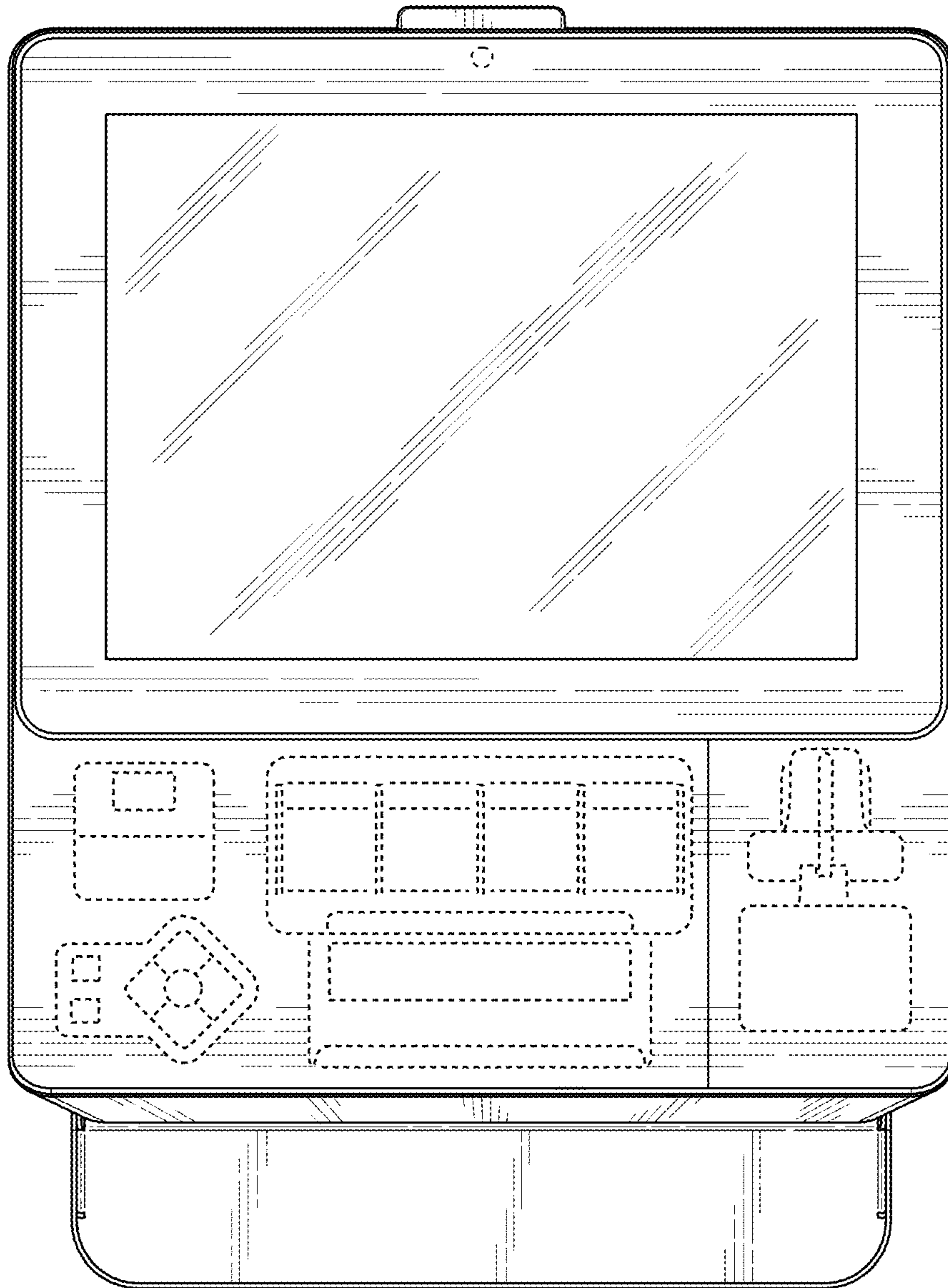


FIG. 4

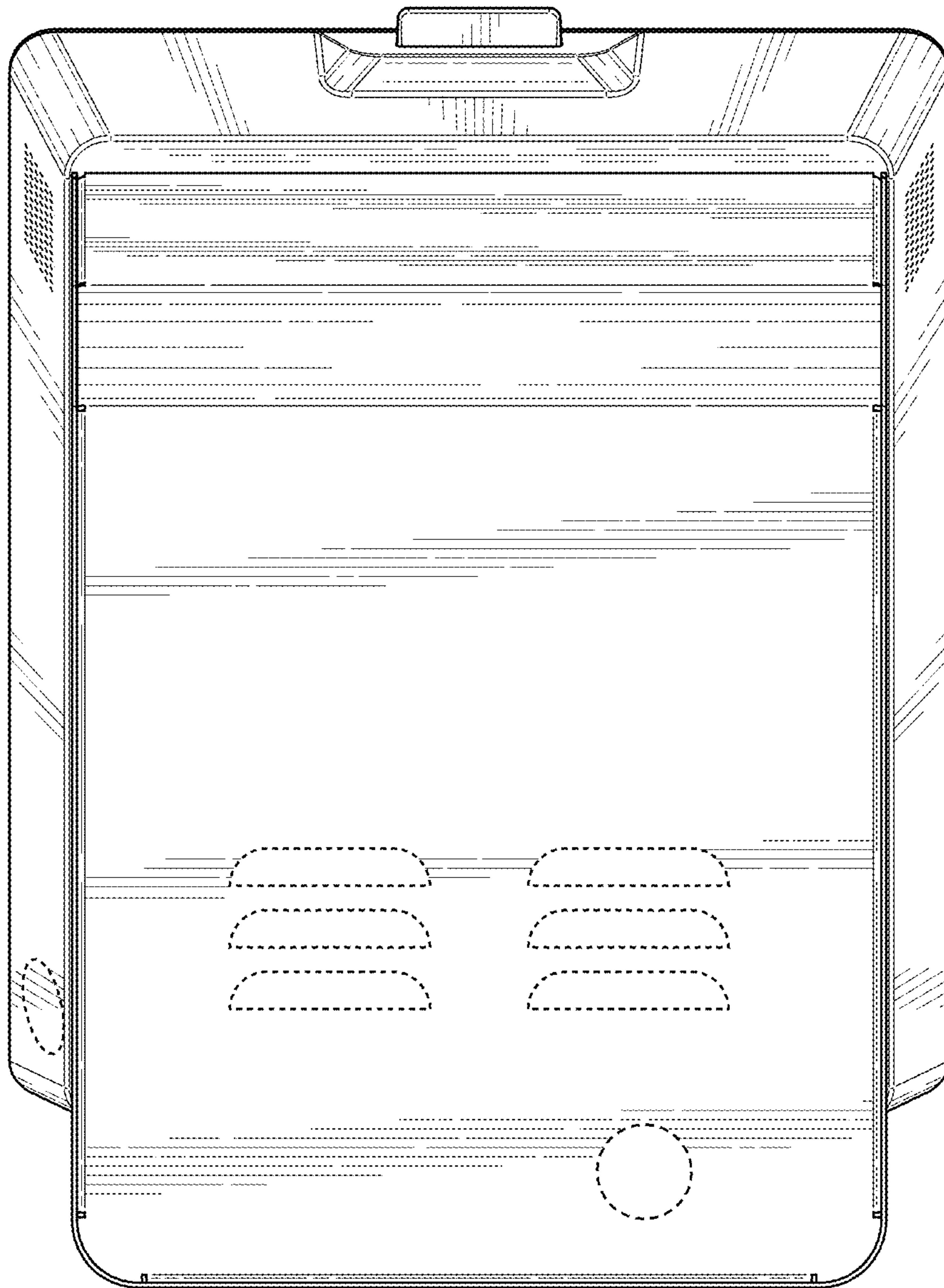


FIG. 5

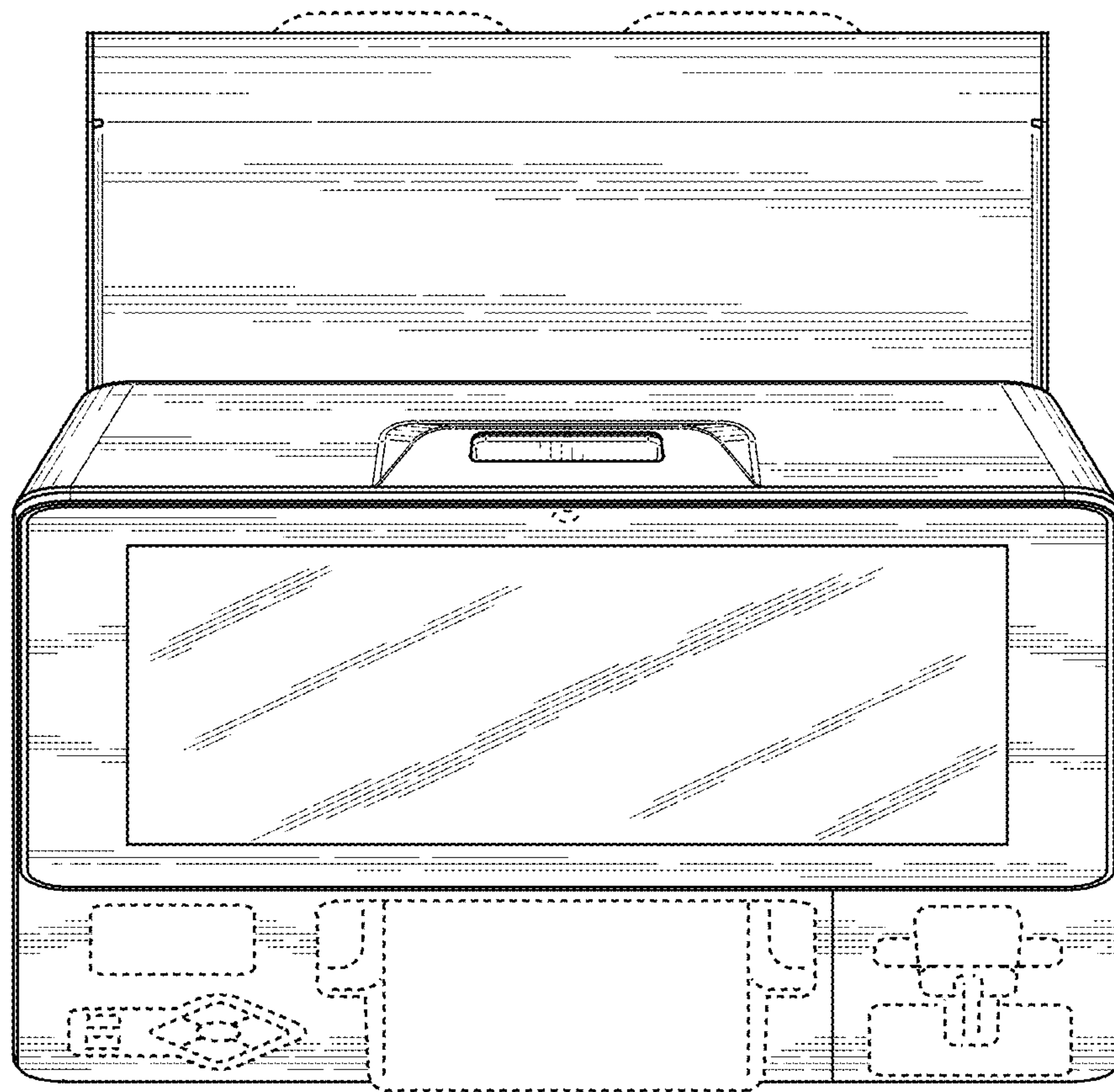


FIG. 6

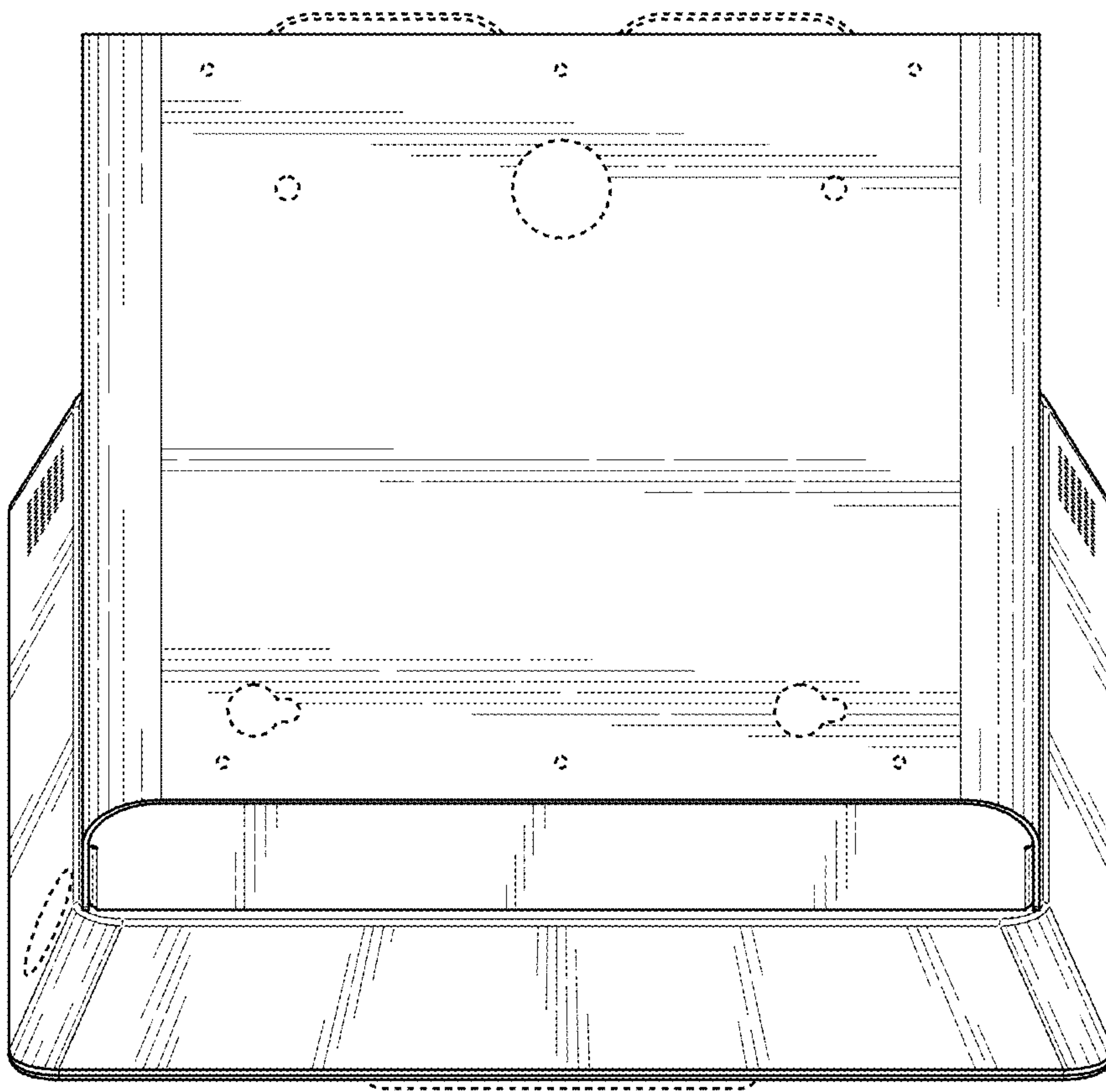


FIG. 7



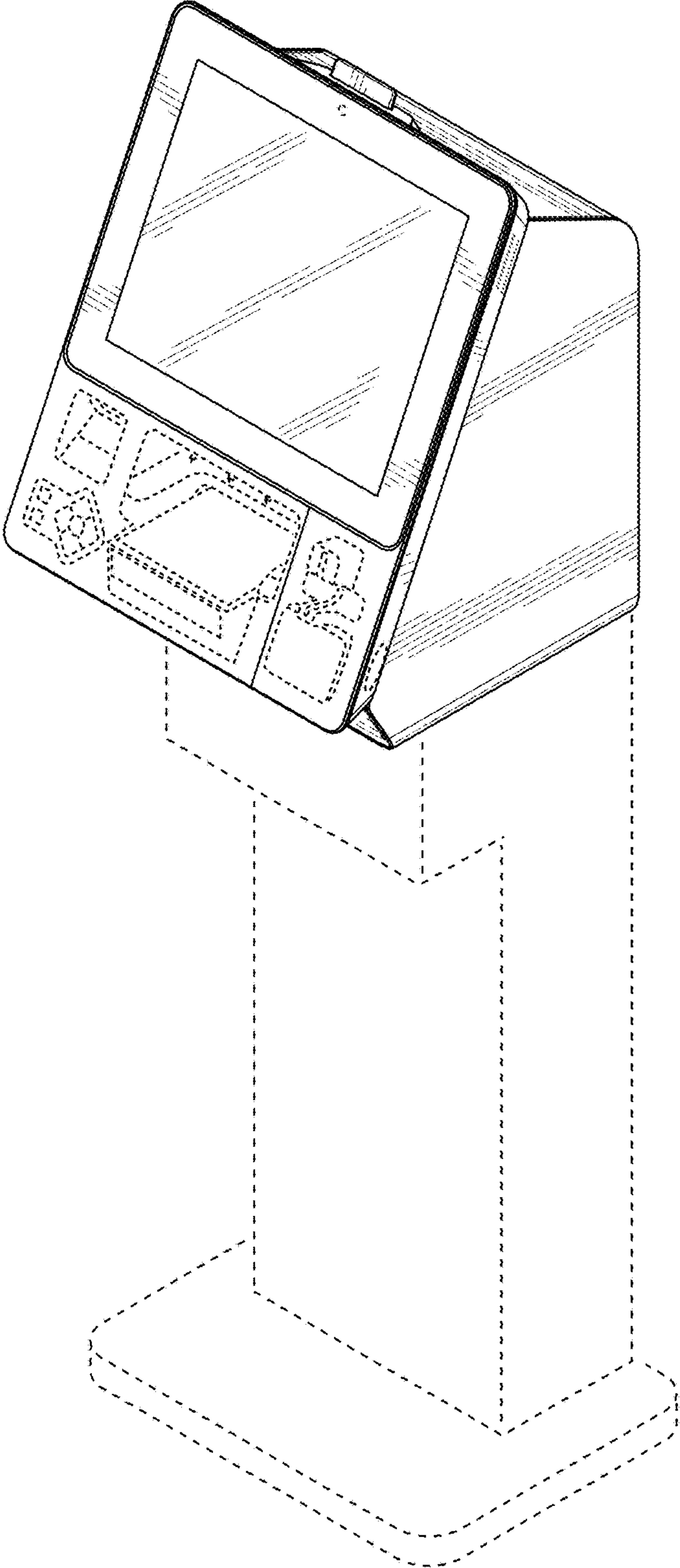


FIG. 8